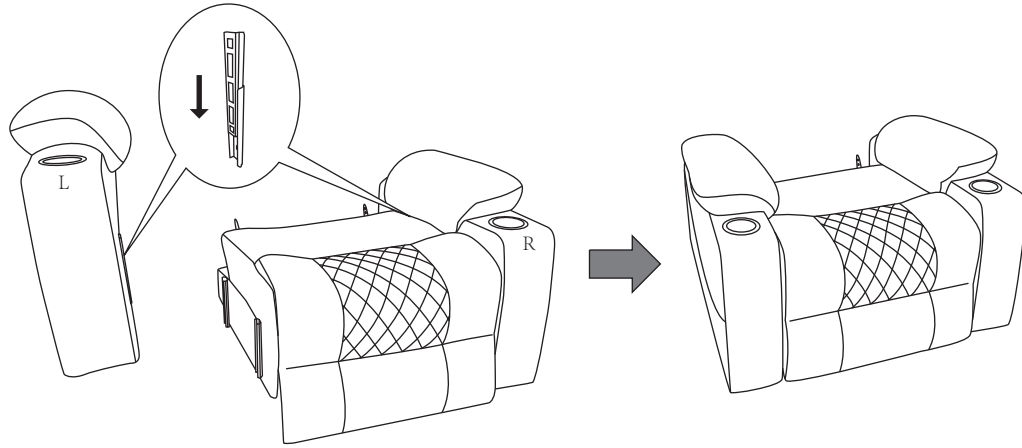
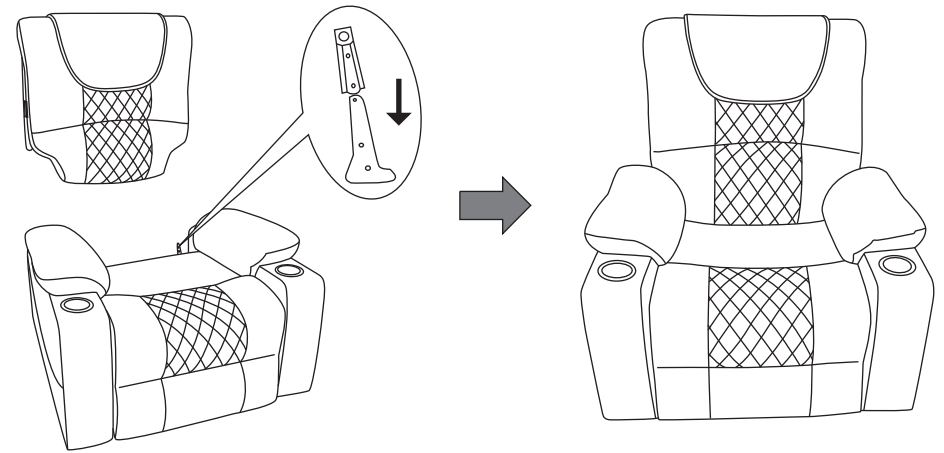


Assembly Instruction

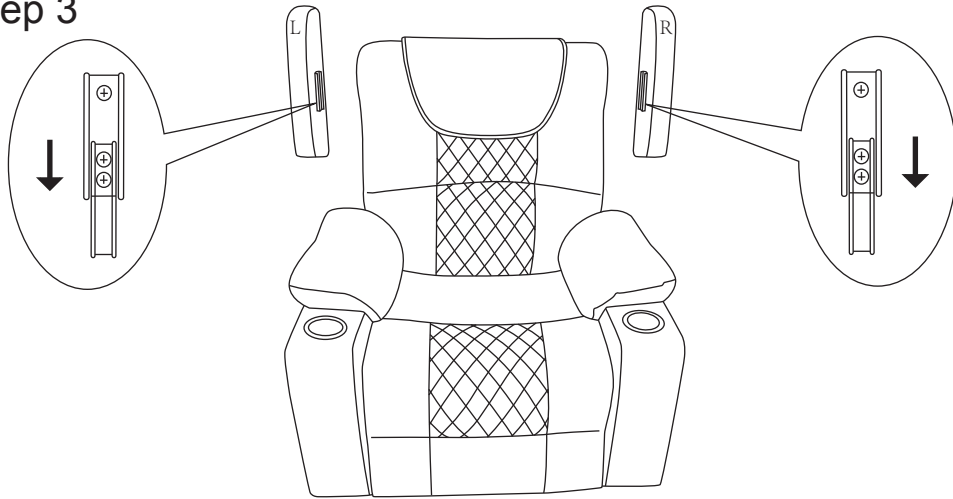
Step 1



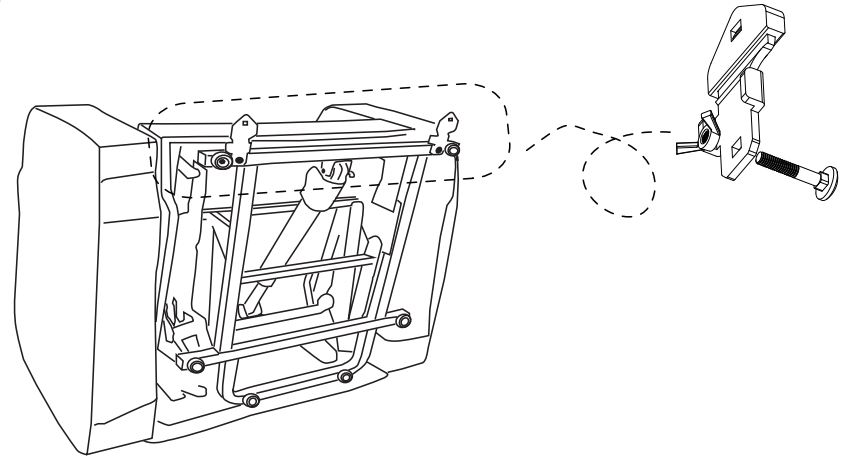
Step 2



Step 3



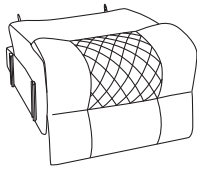
Step 4



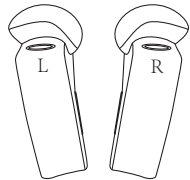
A*1



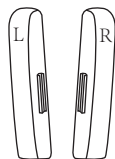
B*1



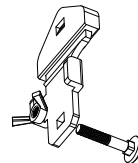
C*1



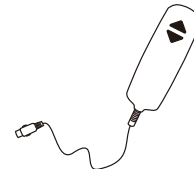
D*1



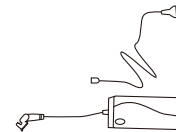
E*2



F*1



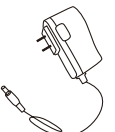
G*1



H*1

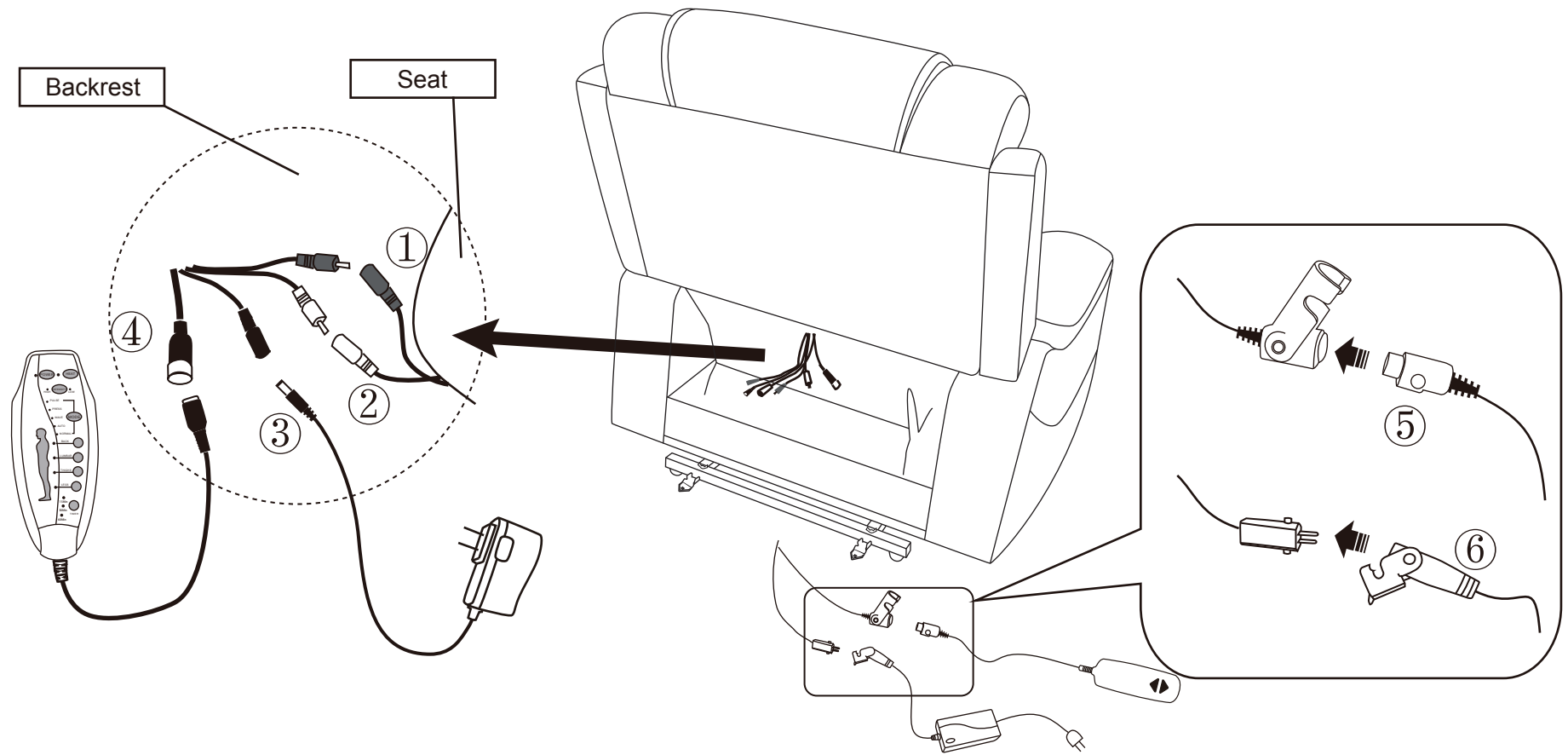


I*1

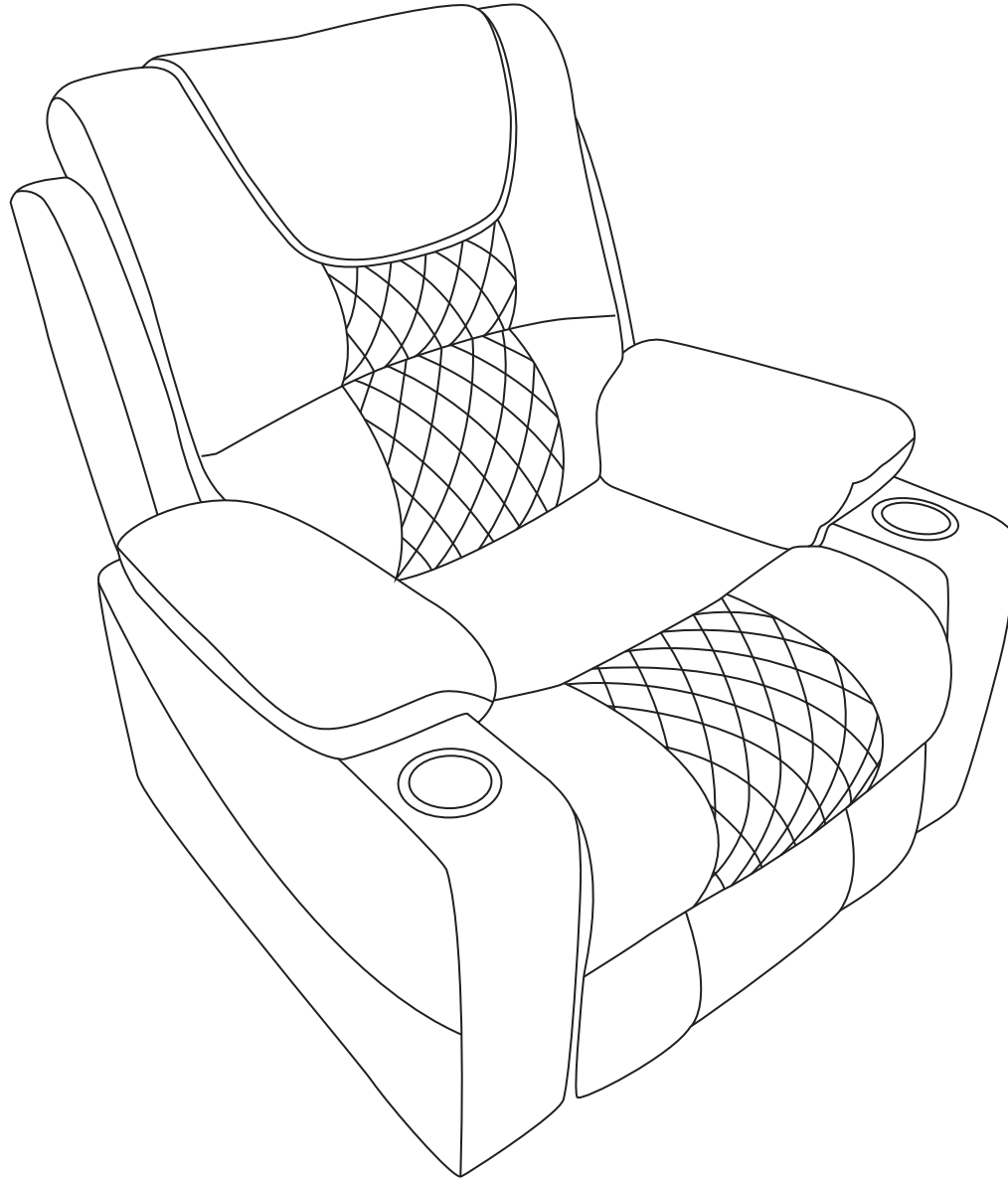


Assembly Instruction

Step 5



Assembly Instruction



Remote Operation Instruction

