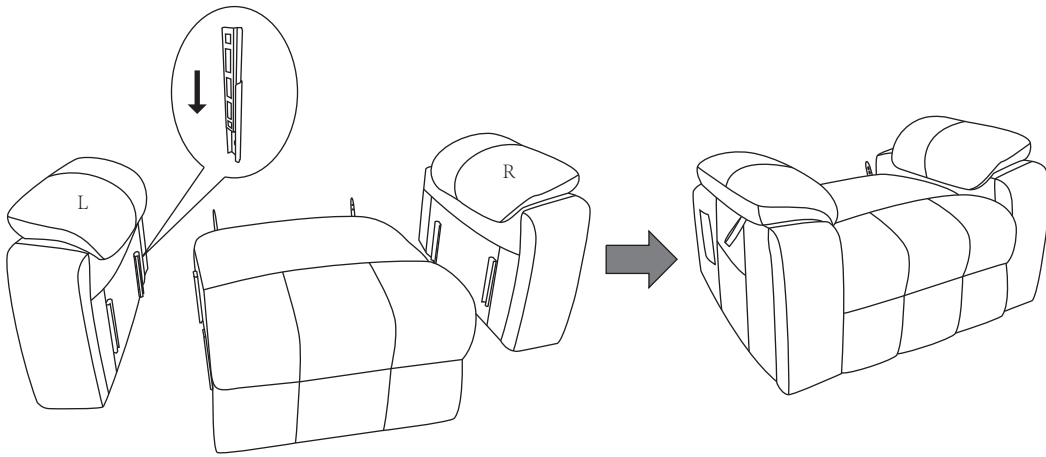
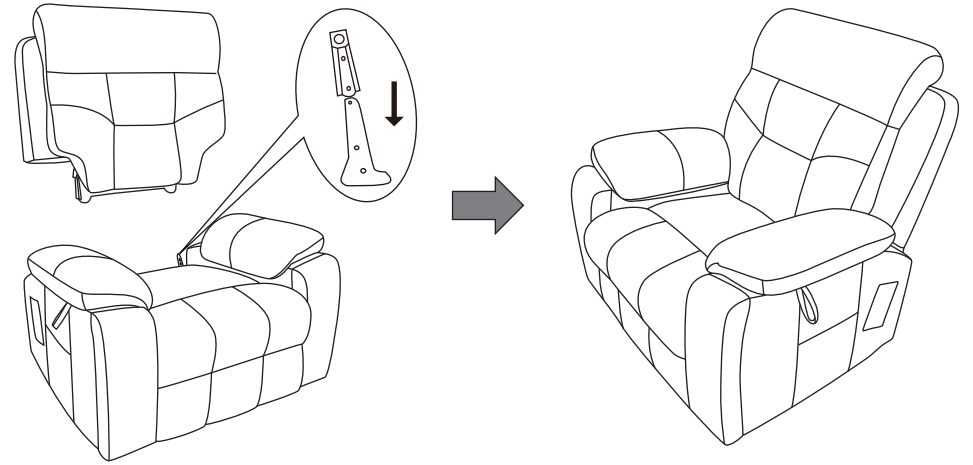


Assembly Instruction

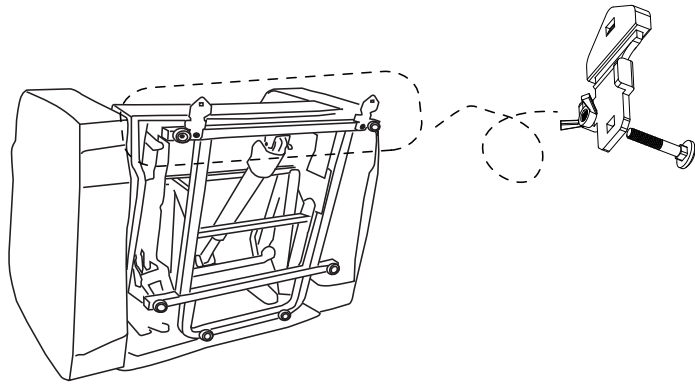
Step 1



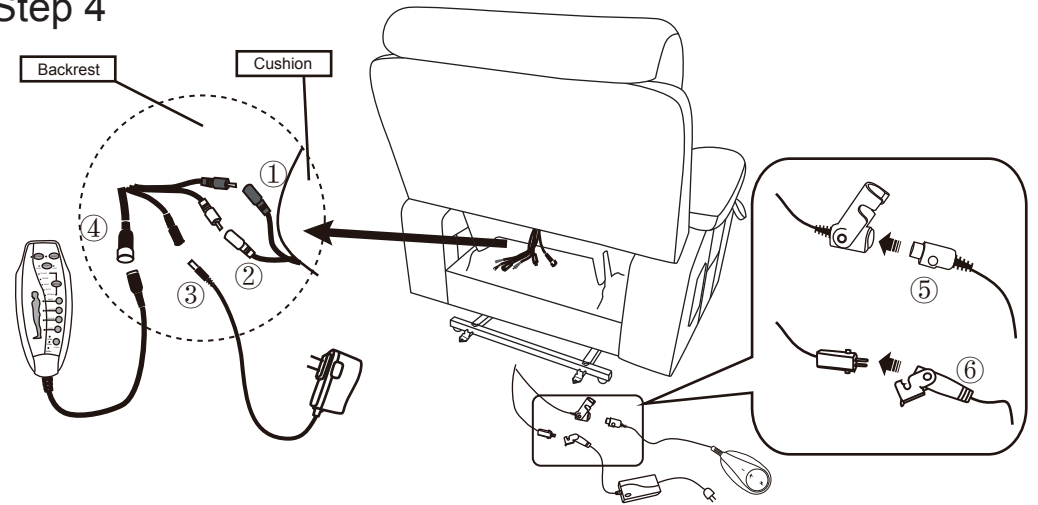
Step 2



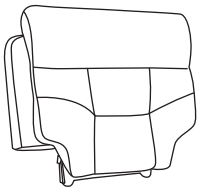
Step 3



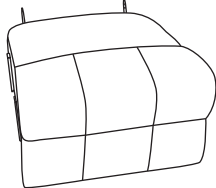
Step 4



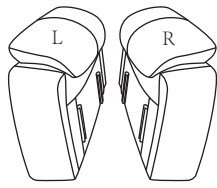
A*1



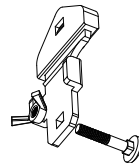
B*1



C*1



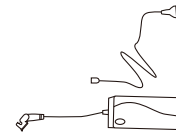
D*1



E*1



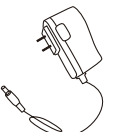
F*1



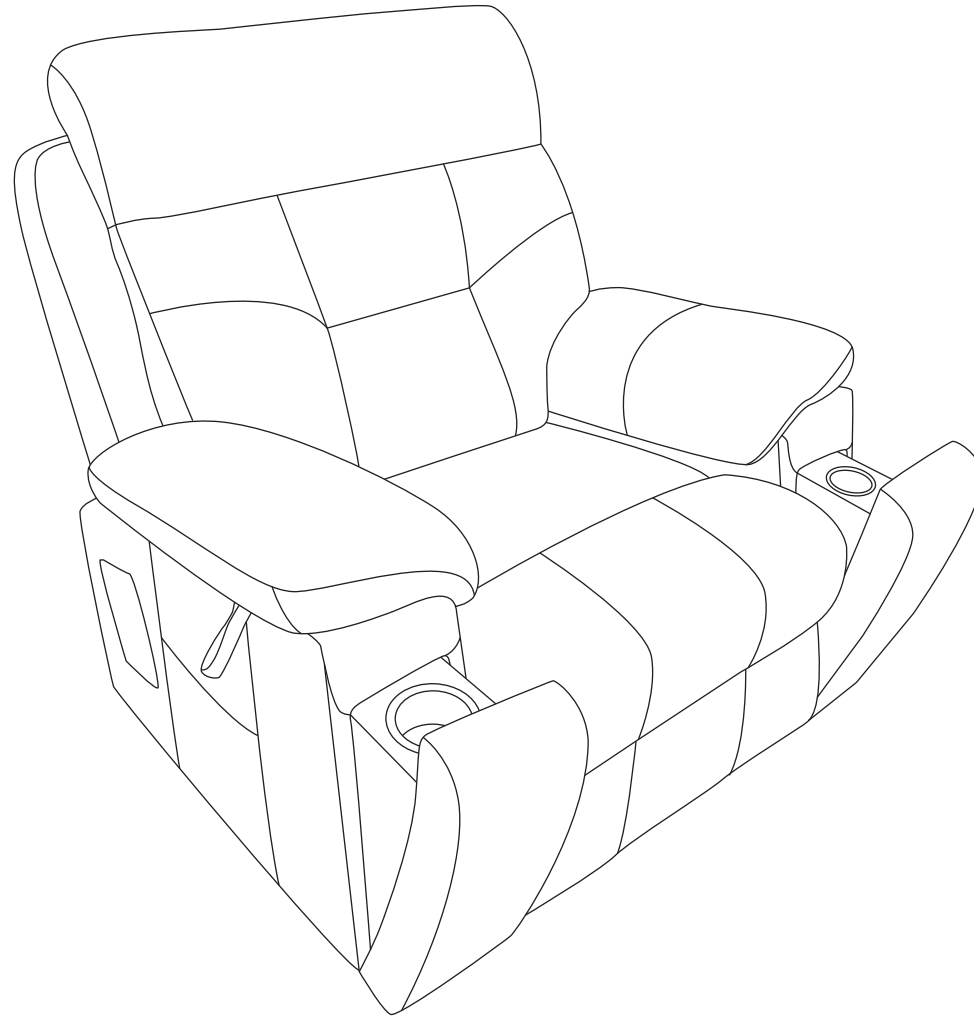
G*1



H*1



Assembly Instruction



Remote Operation Instruction

