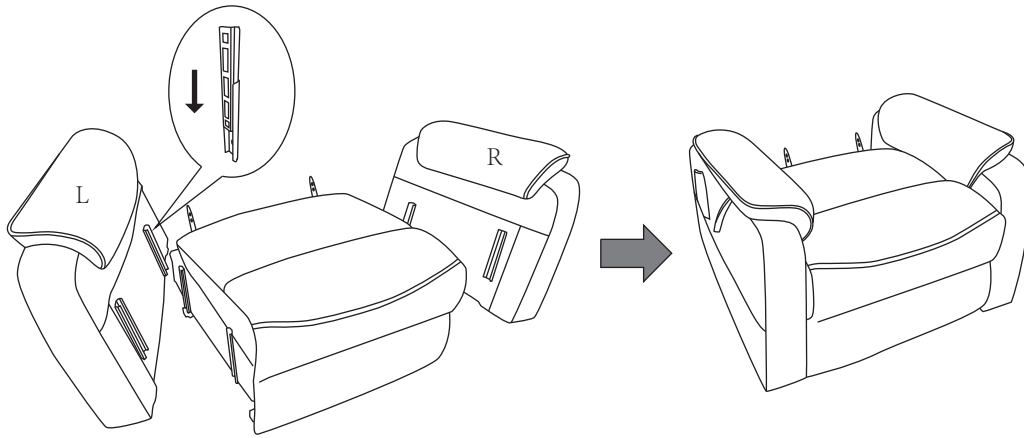
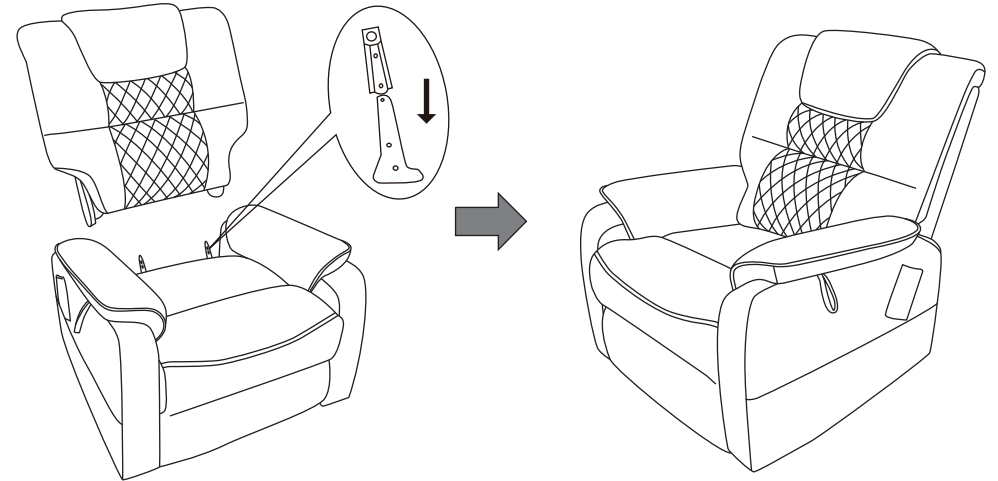


Assembly Instruction

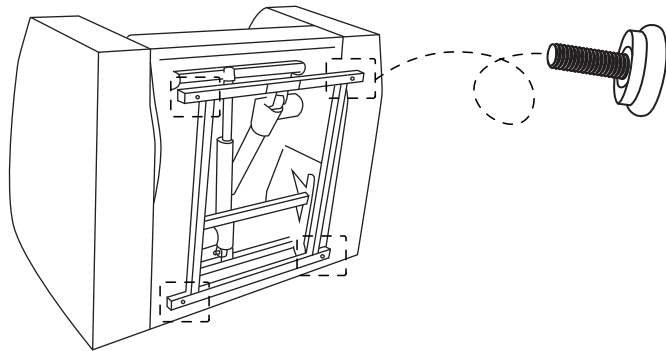
Step 1



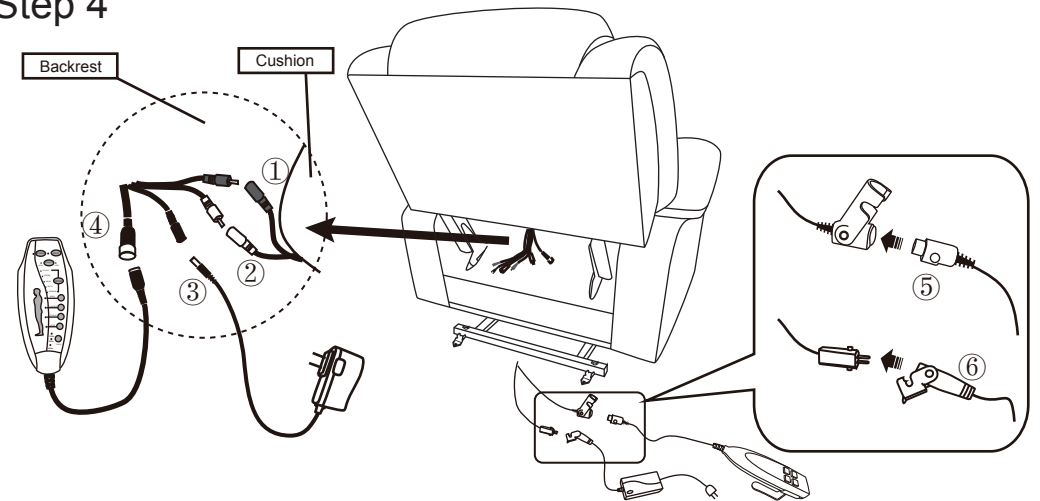
Step 2



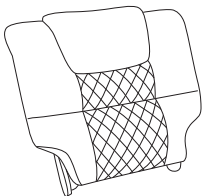
Step 3



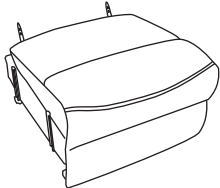
Step 4



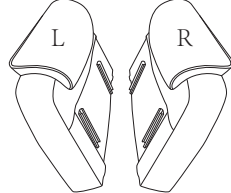
A*1



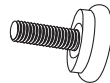
B*1



C*2



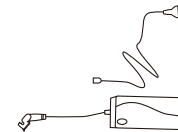
D*4



E*1



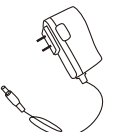
F*1



G*1



H*1



Remote Operation Instruction

