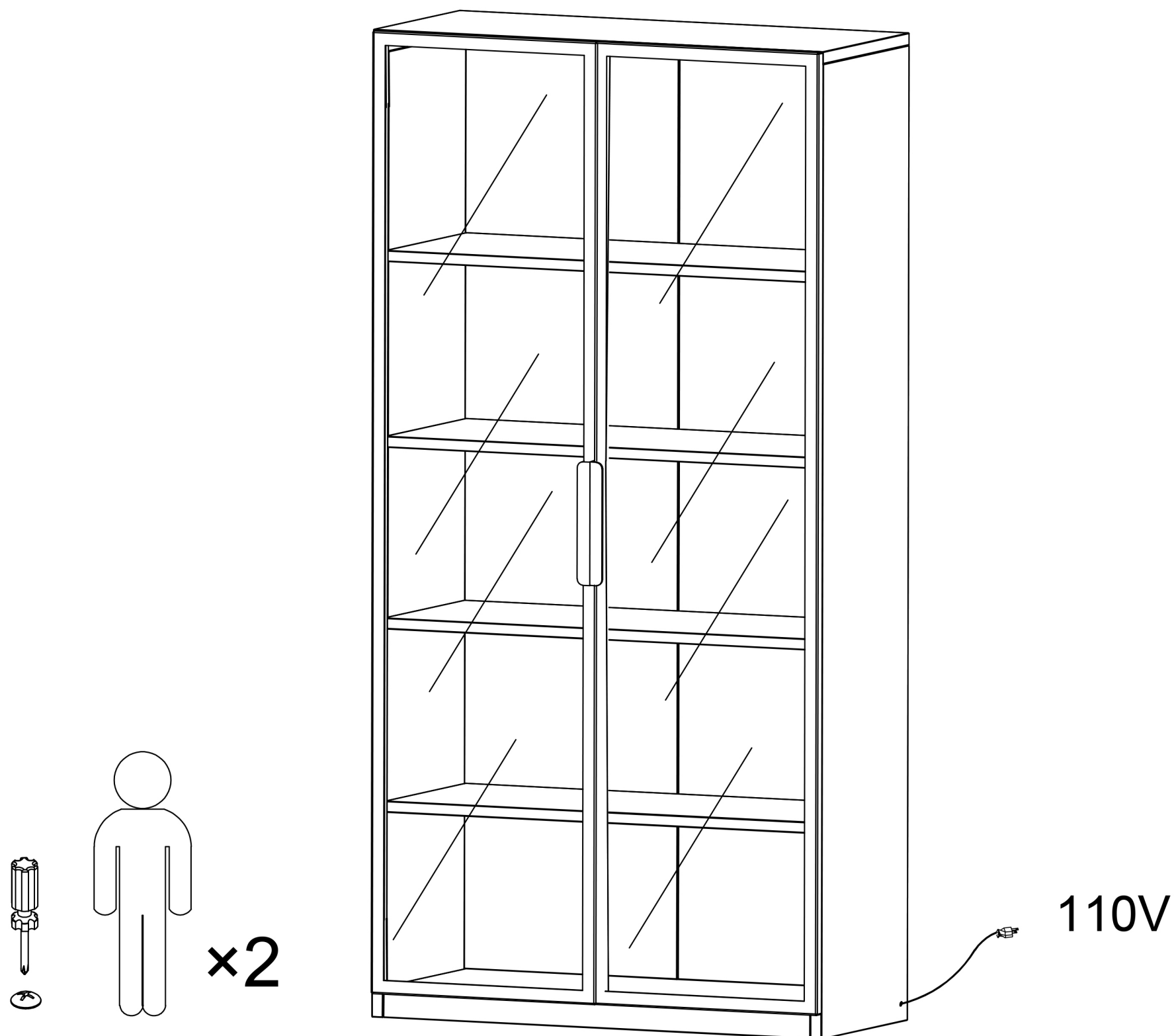
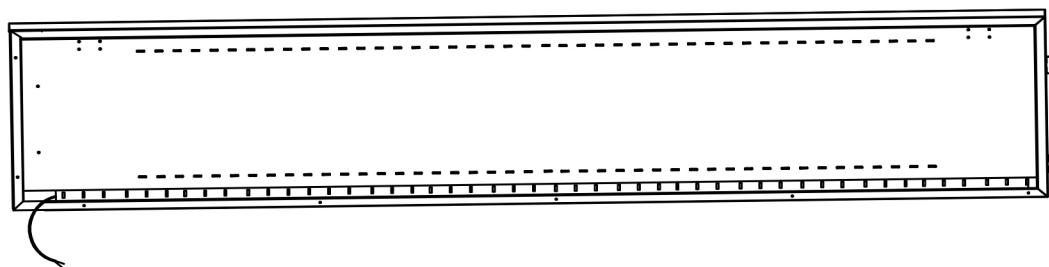


# GLASS CABINET WITH LIGHT INSTALLATION VIDEO

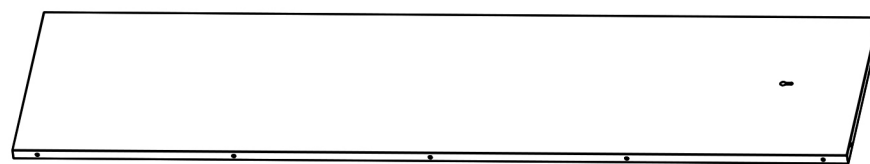


**Please scan the QR code to check the assemble video**

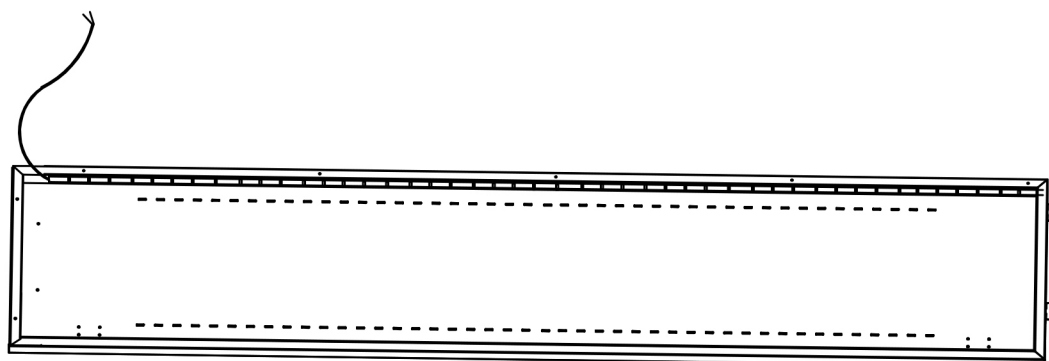
**A: Left Side Plate**



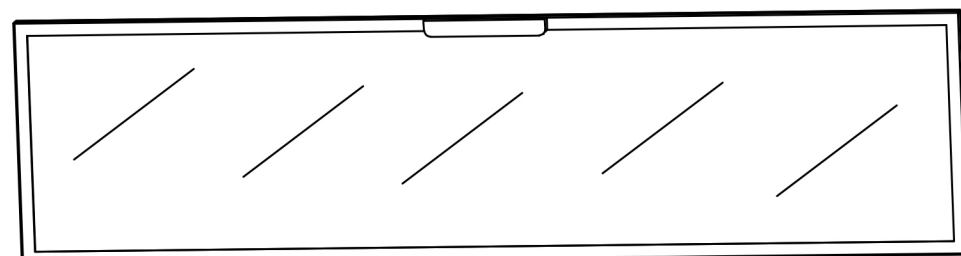
**C: Back Plate \*2**



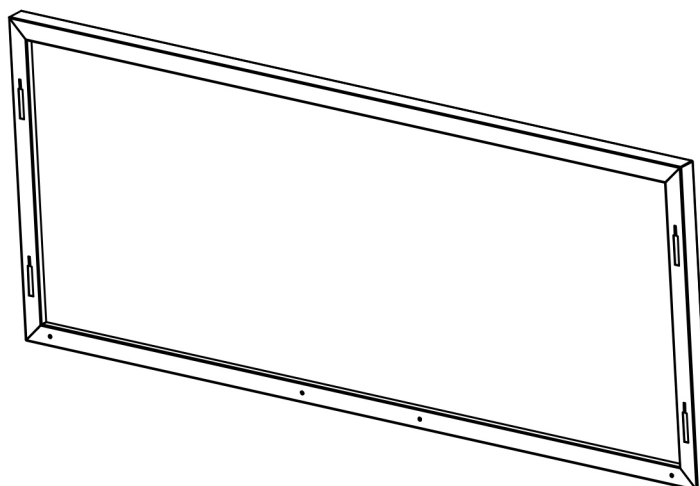
**B: Right Side Plate**



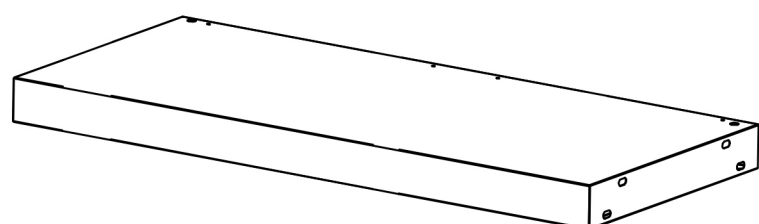
**D: Door \*2**



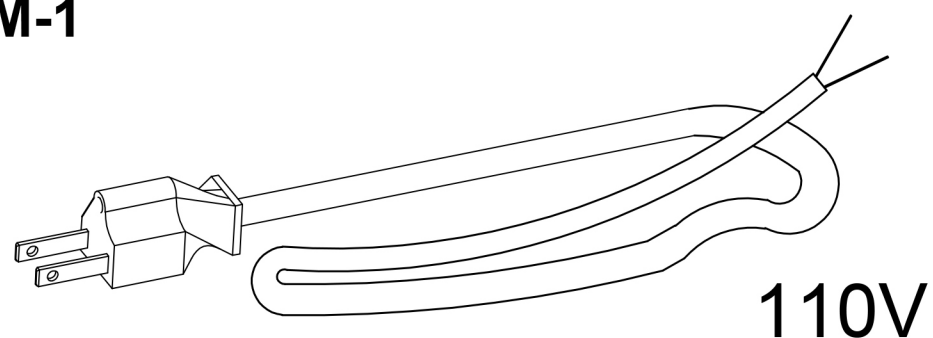
**E: Top plate**



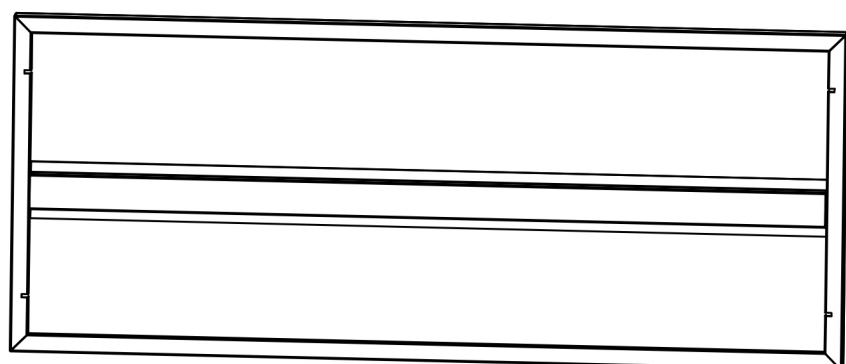
**F: Bottom plate**



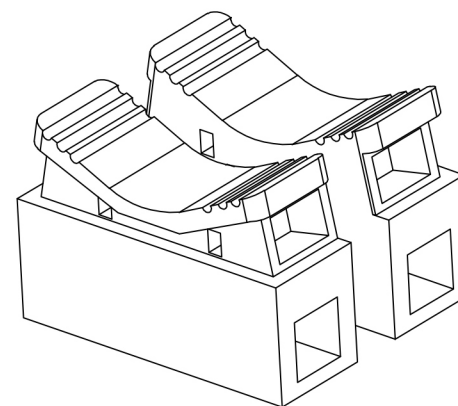
**M-1**



**G: Shelving \*4**



**S-1**



**Lx42**



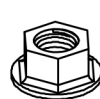
**M5\*10**

**Mx5**



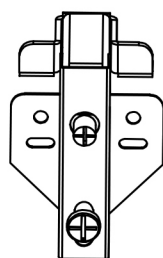
**M5\*10**

**Nx5**



**M5**

**Ox4**

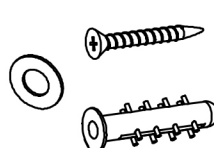


**Px8**

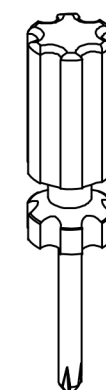
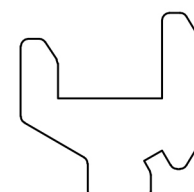


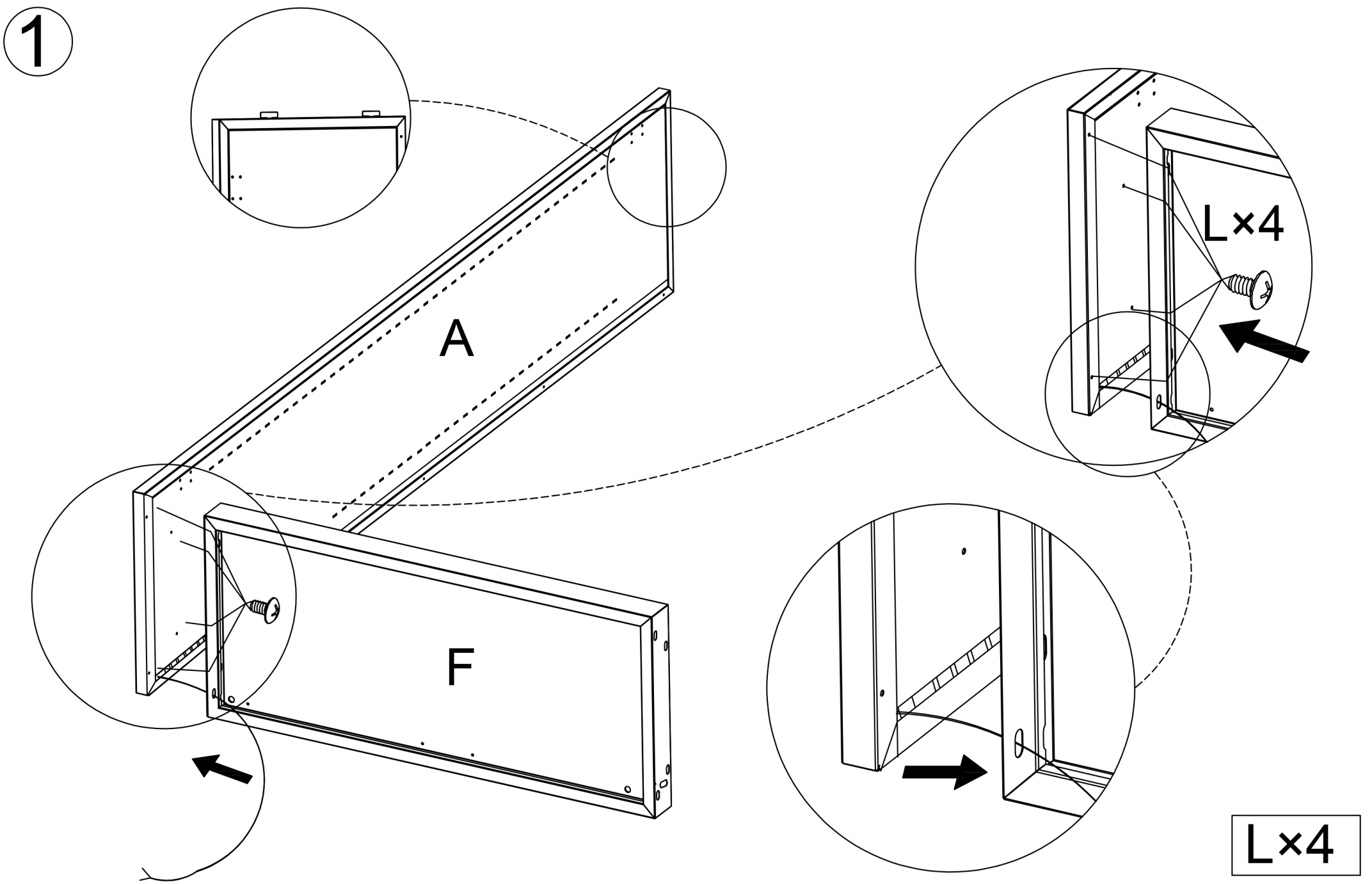
**M5\*5**

**Rx2**

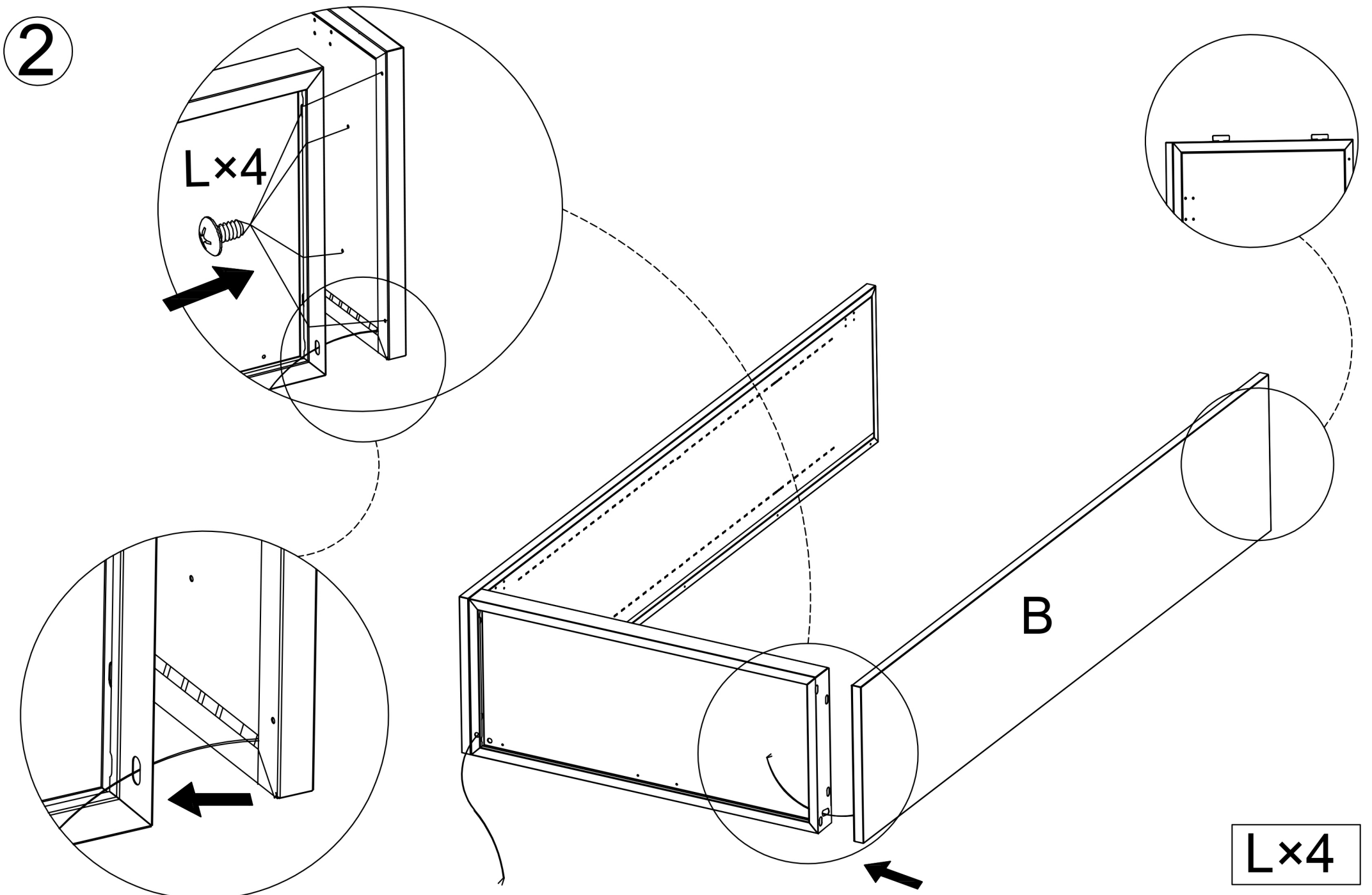


**Ux16**



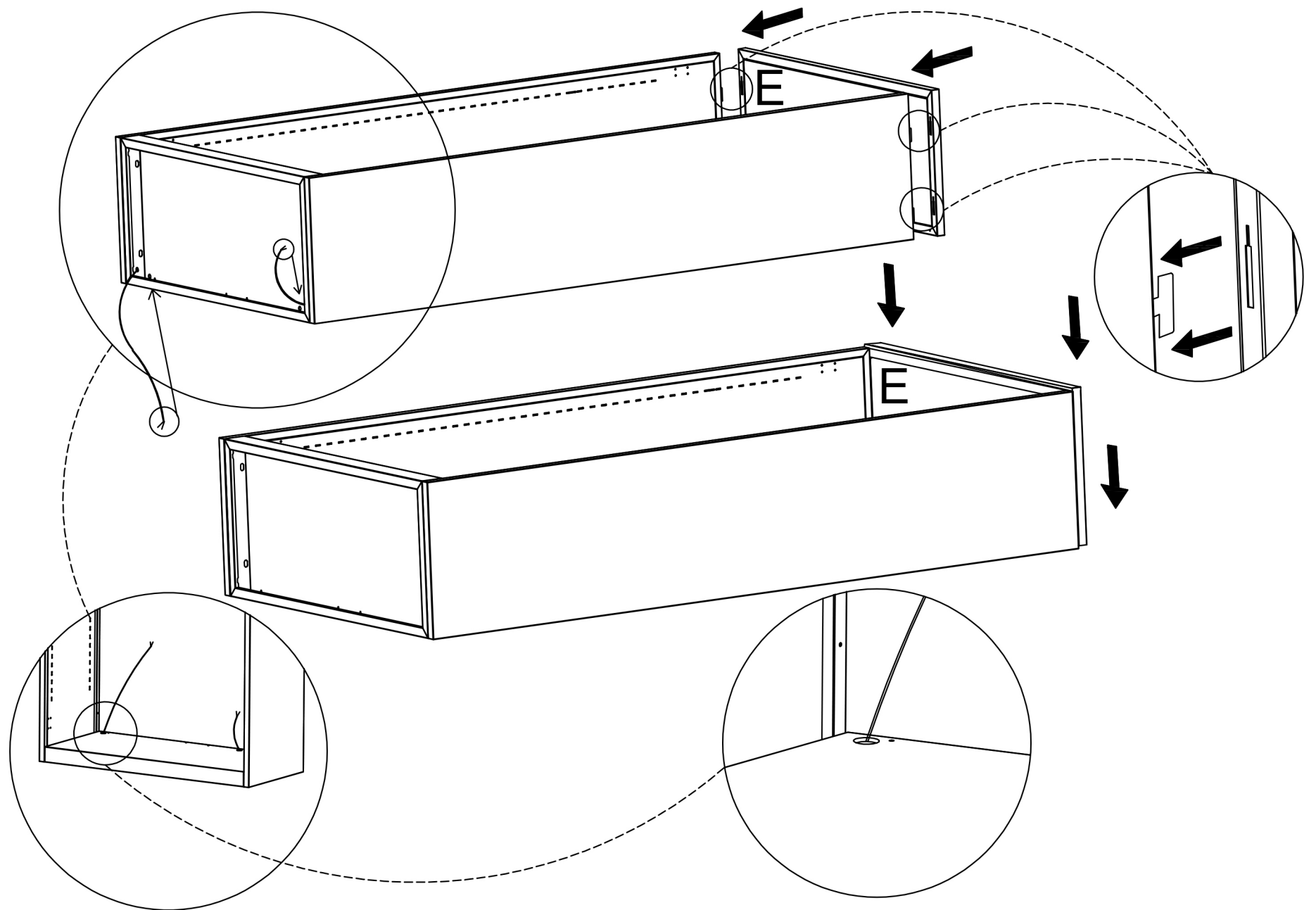


1.Route electric wire through F side hole. Assemble A and F and secure with screw L.



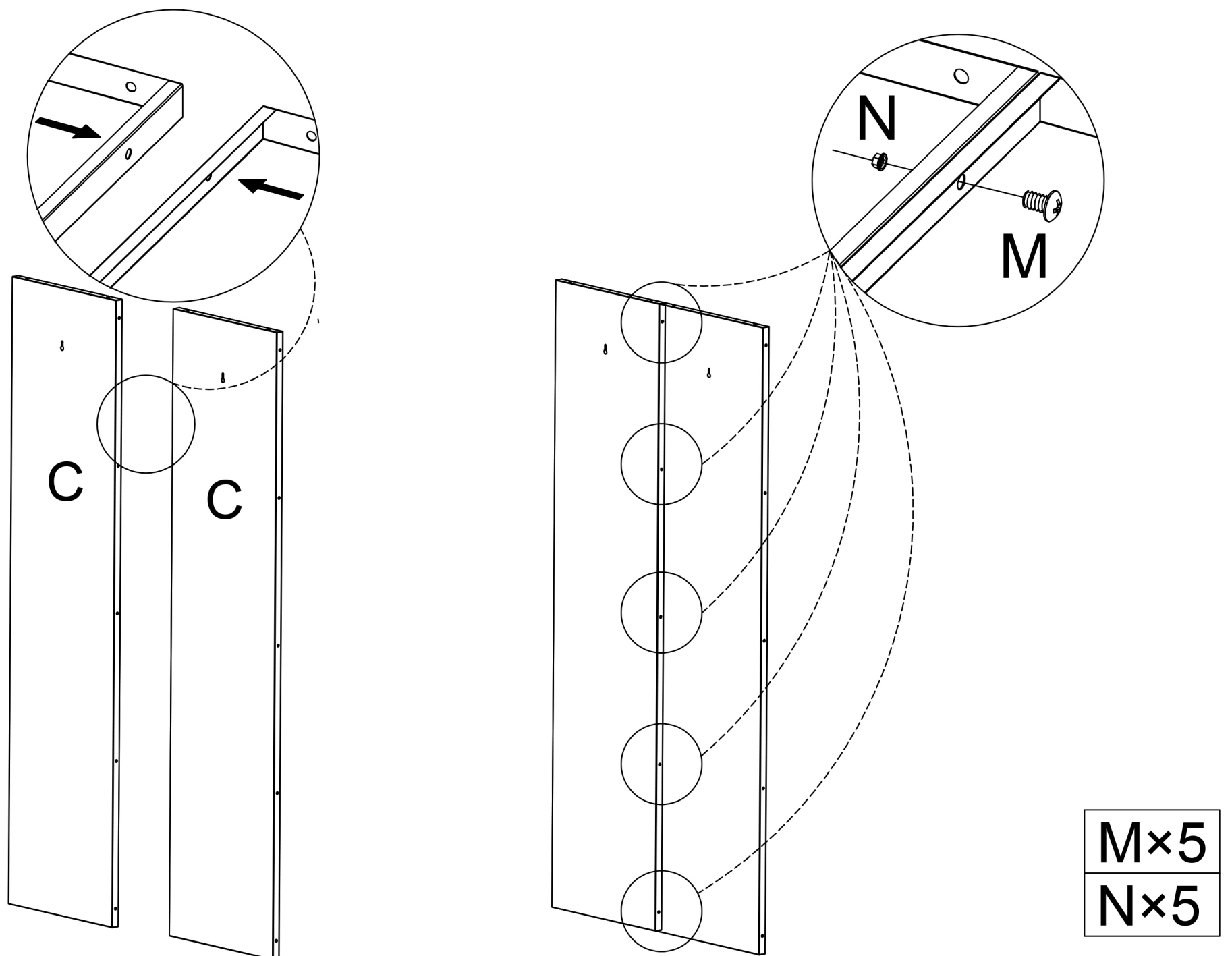
2.Route electric wire through F side hole. Assemble B and F and secure with screw L.

3



3.Run electric wire through F base hole. Install E

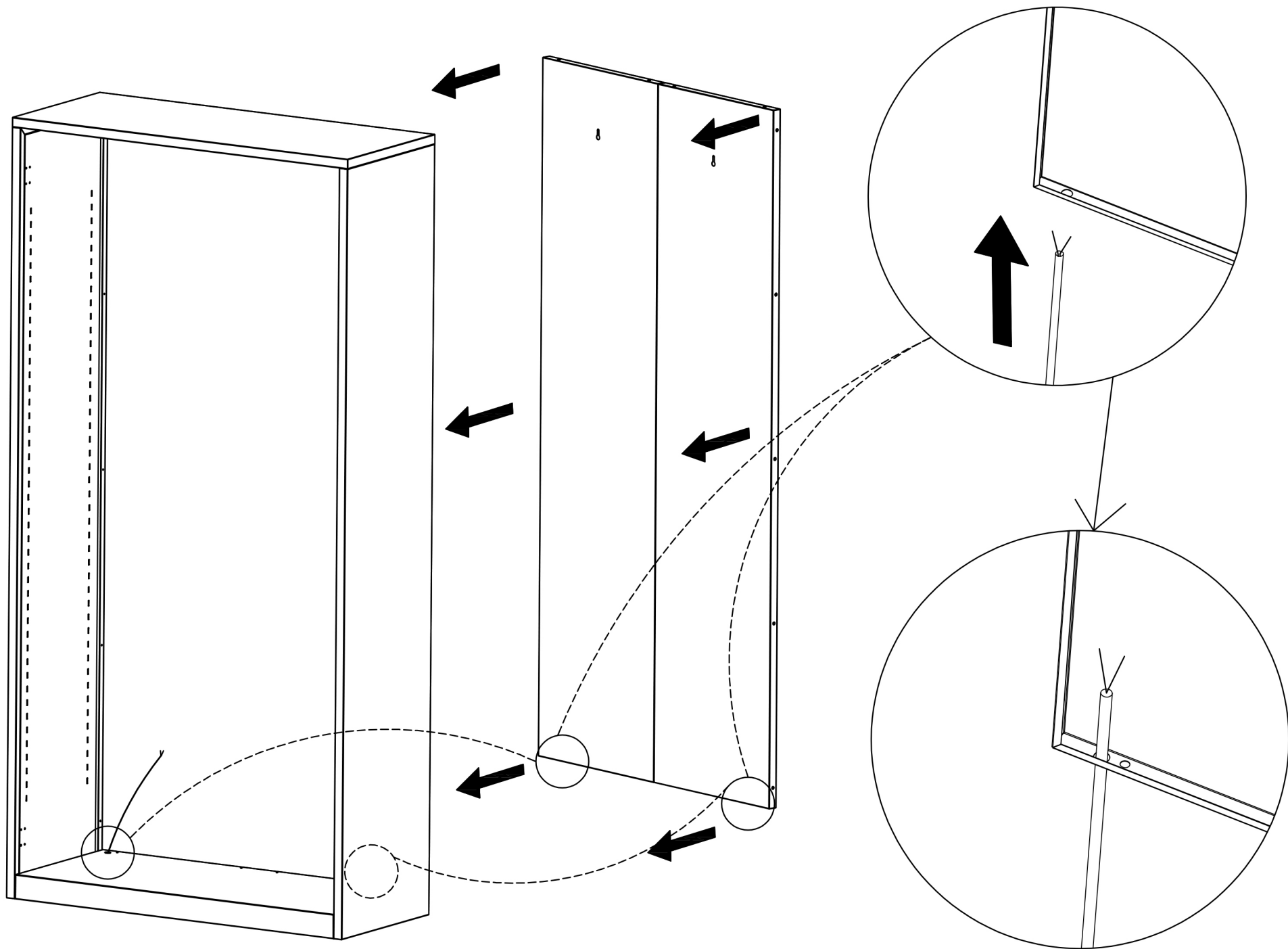
4



4.Connect C with M and N

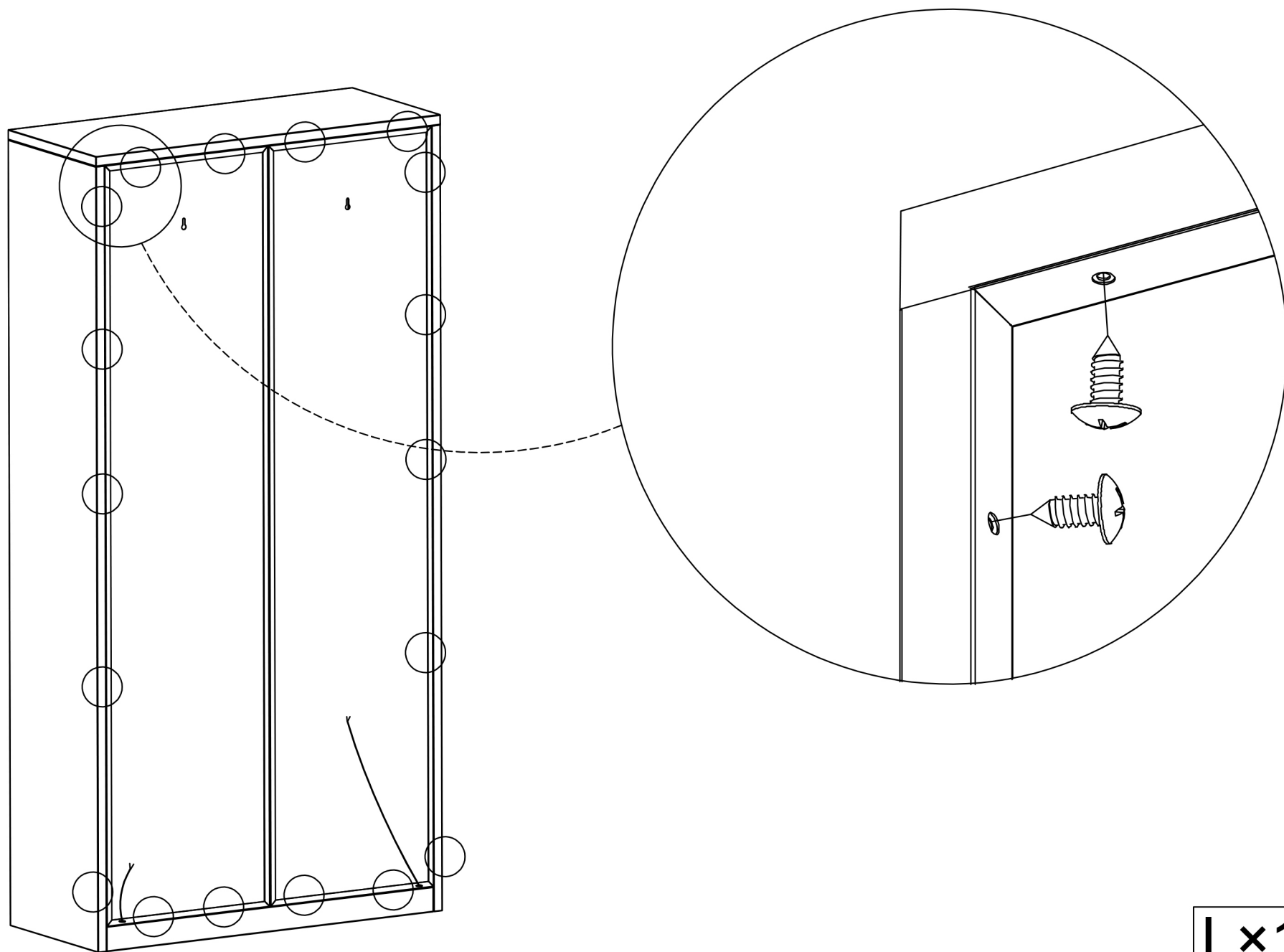


5



5.Run electric wire through the bottom hole of C, assemble C and cabinet

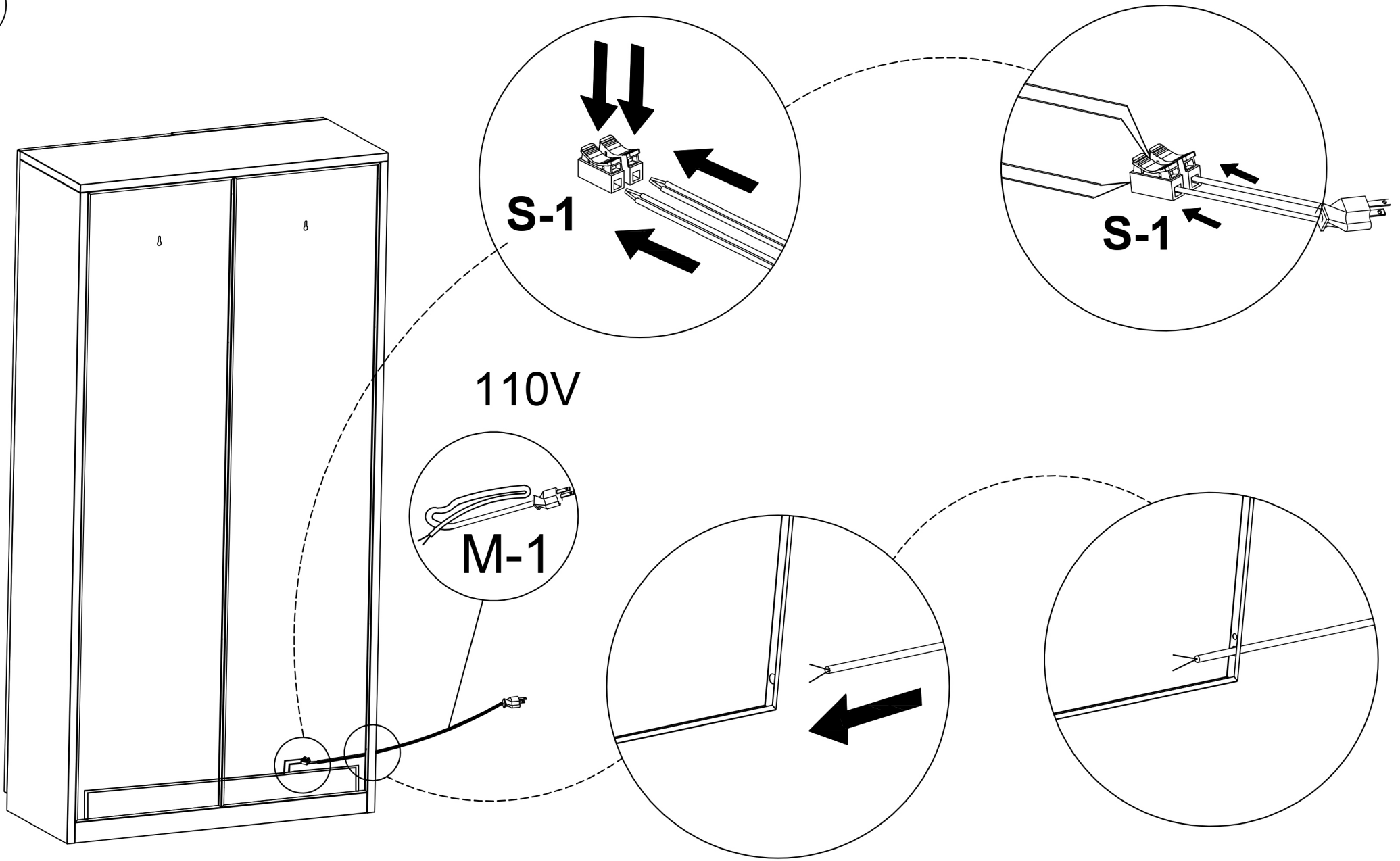
6



L×18

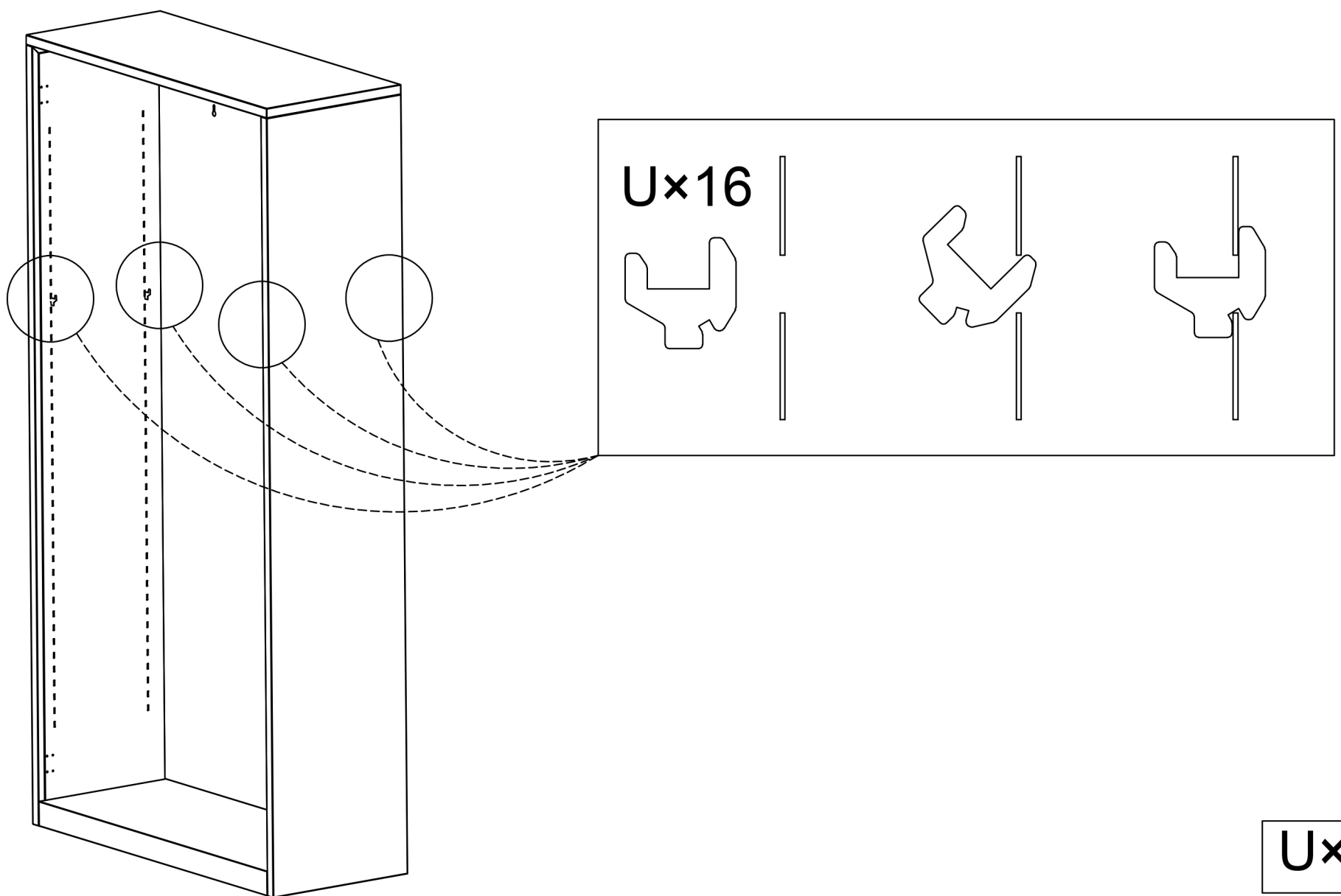
6.Secure with screw L

7



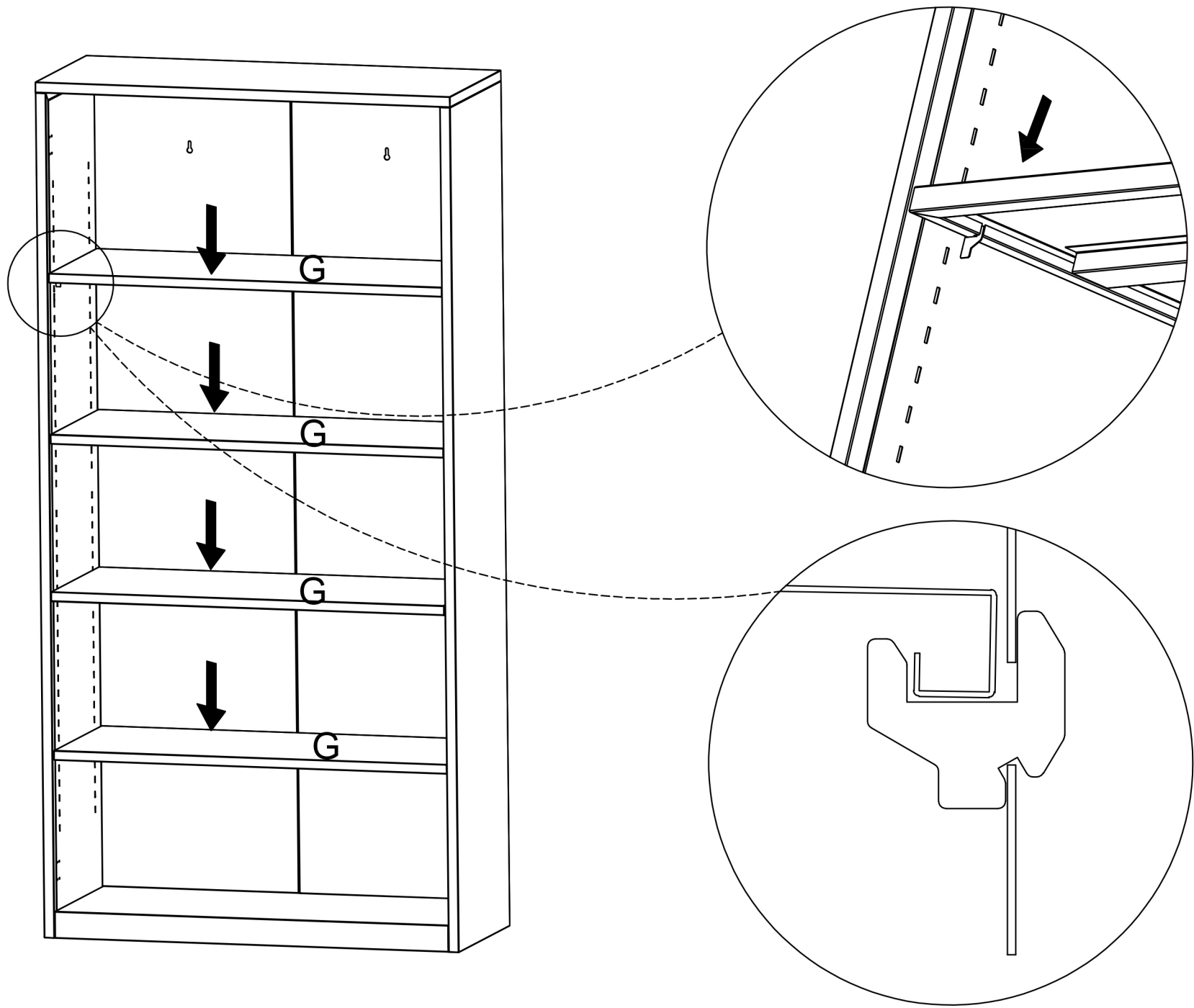
9.Assemble electric wire, M-1 and S-1(Make sure the wire color match).

8



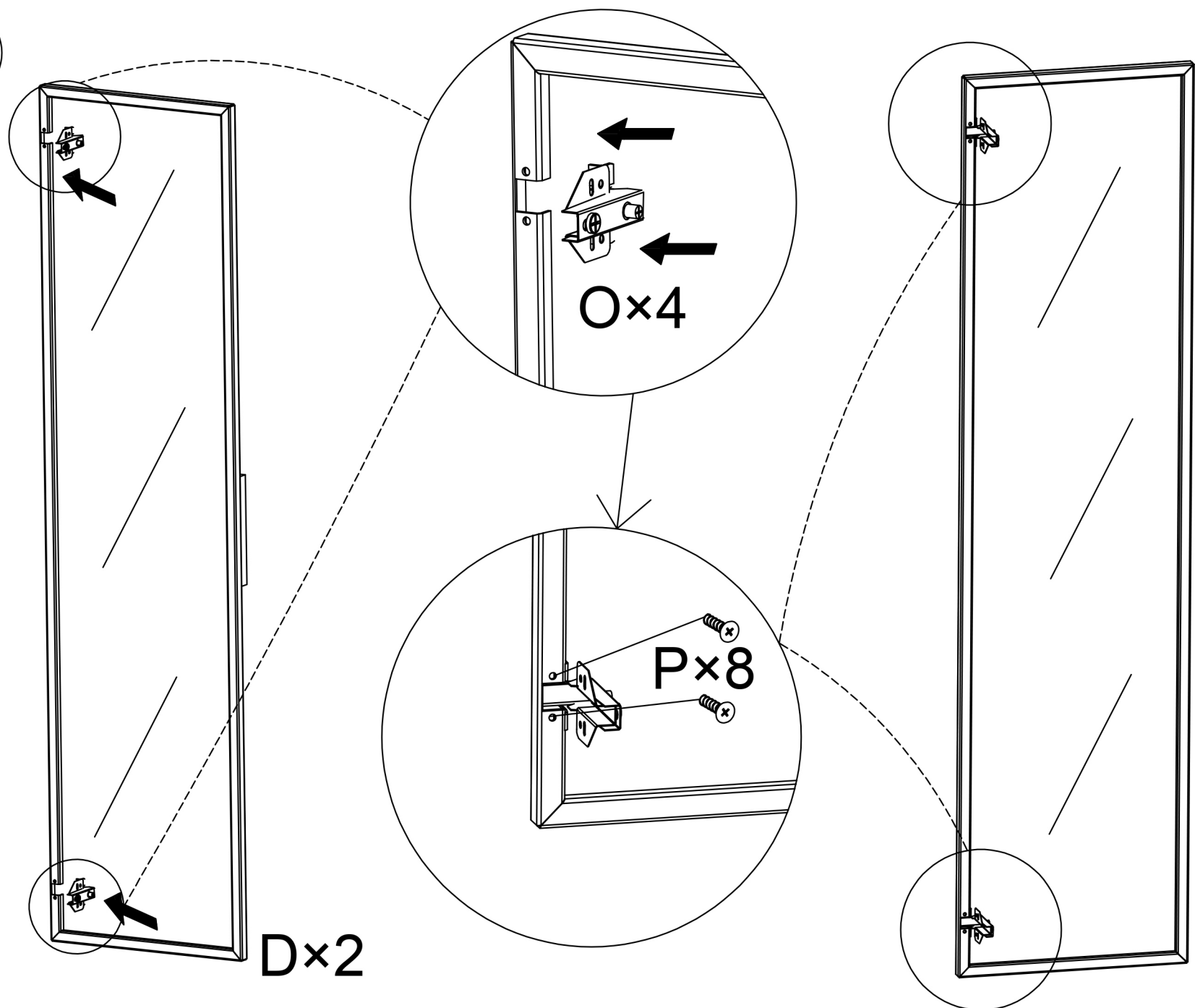
7.Install U

9



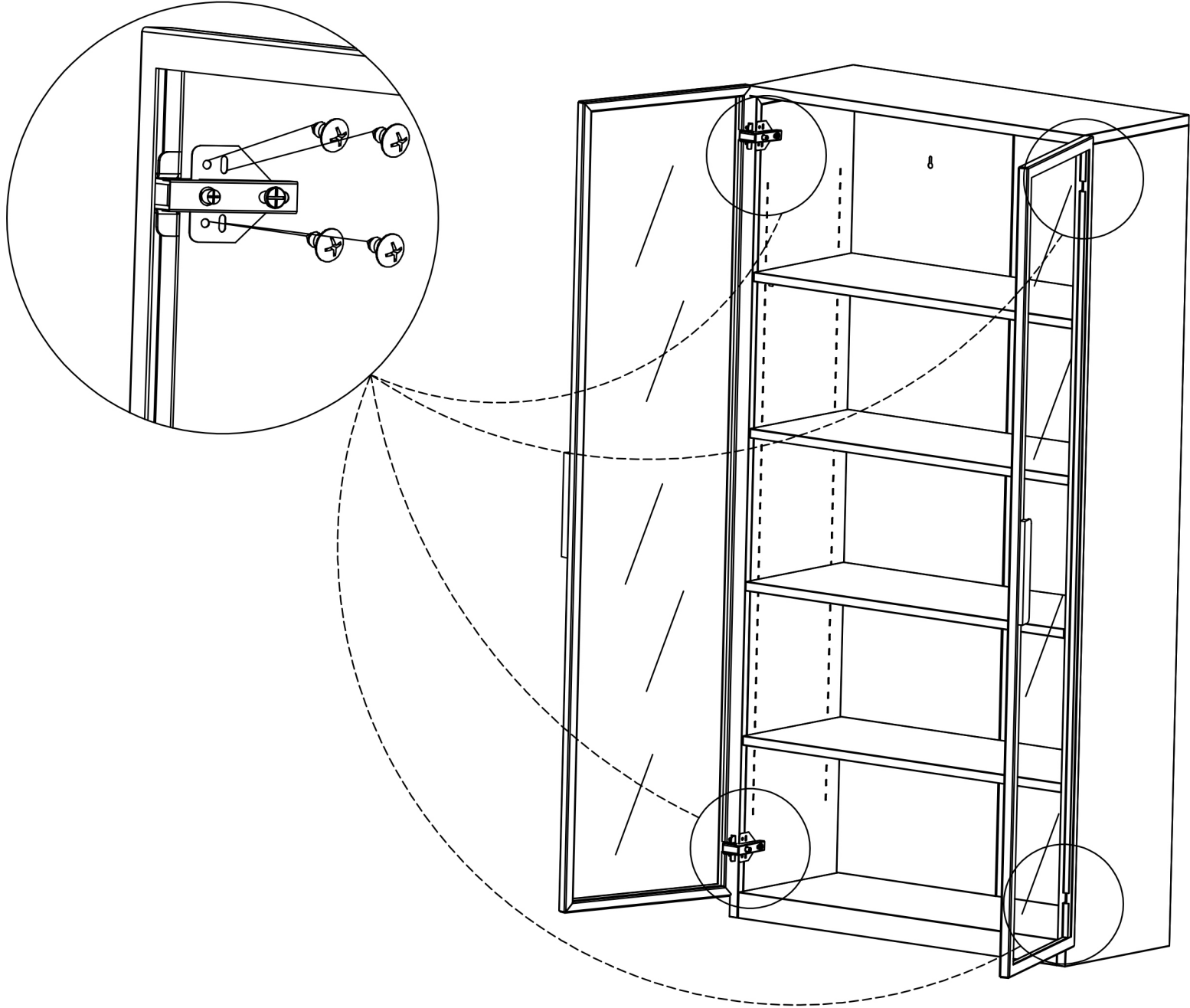
8. Install G

10



10. Assemble D and O and fix with screw P

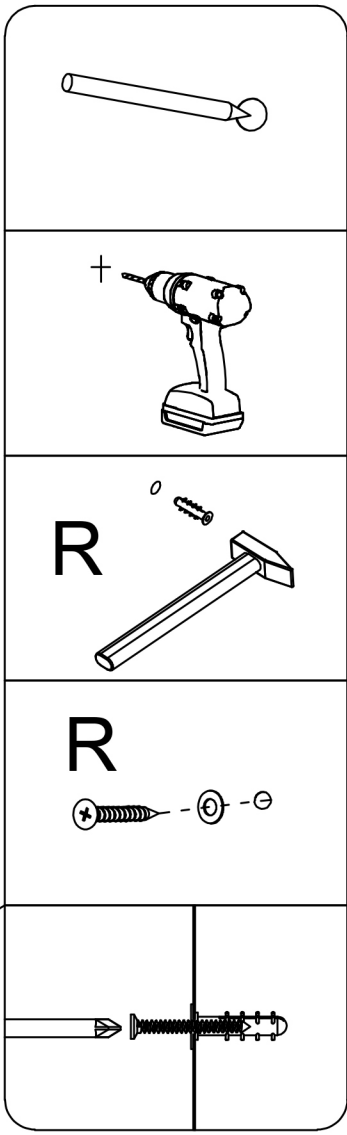
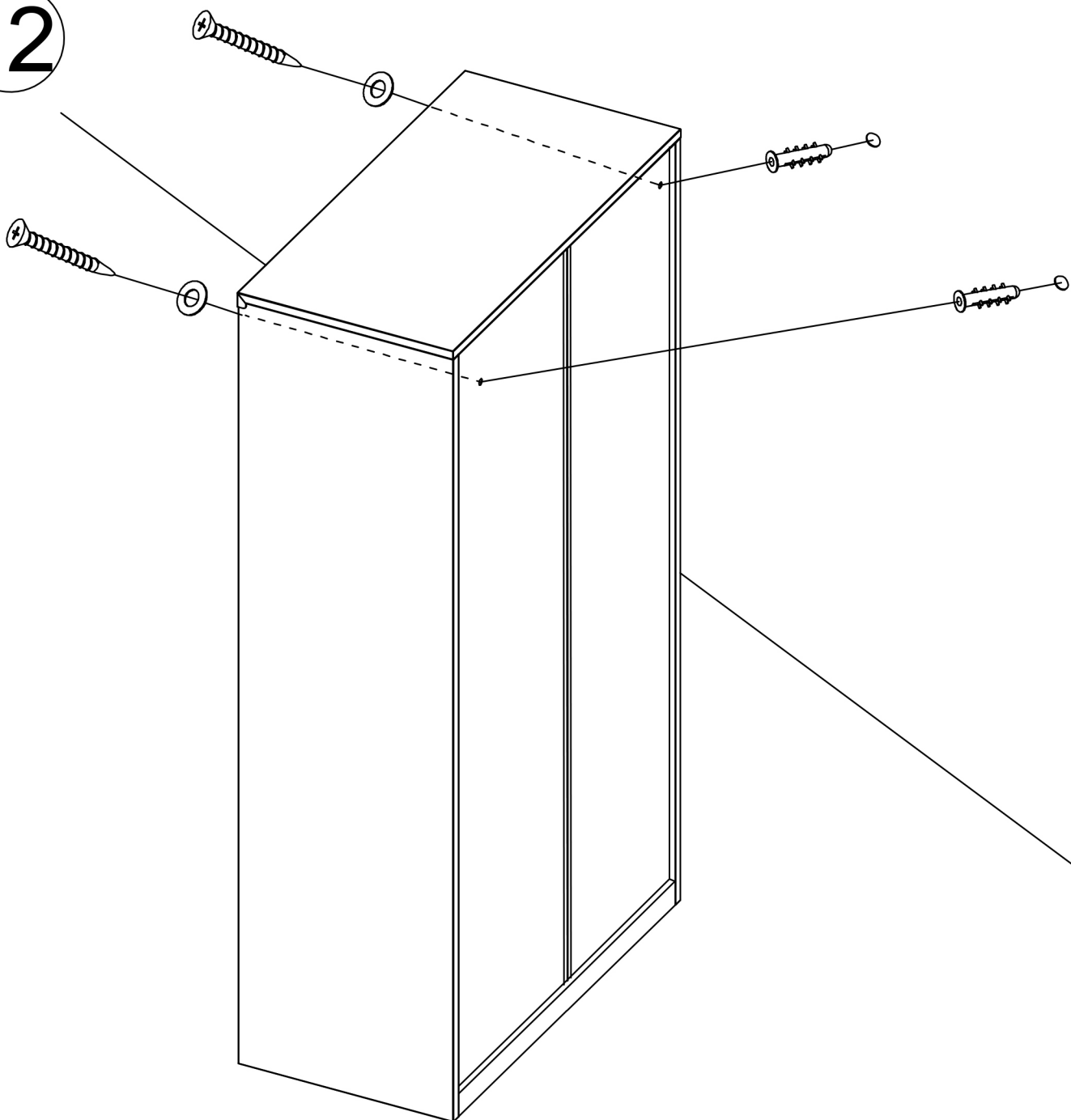
11



L×16

11. Install D, fix with screw L

12



R×2

12. R can be used to fix the product on the wall