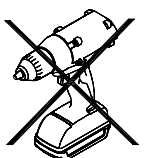
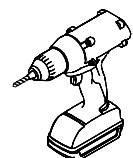
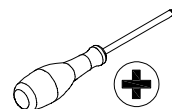
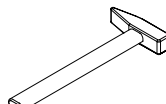
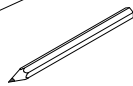
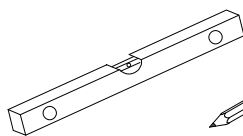
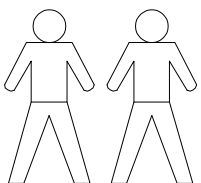
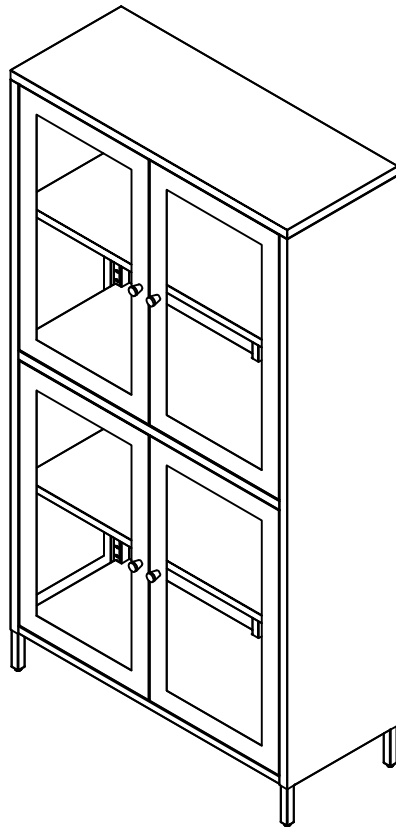
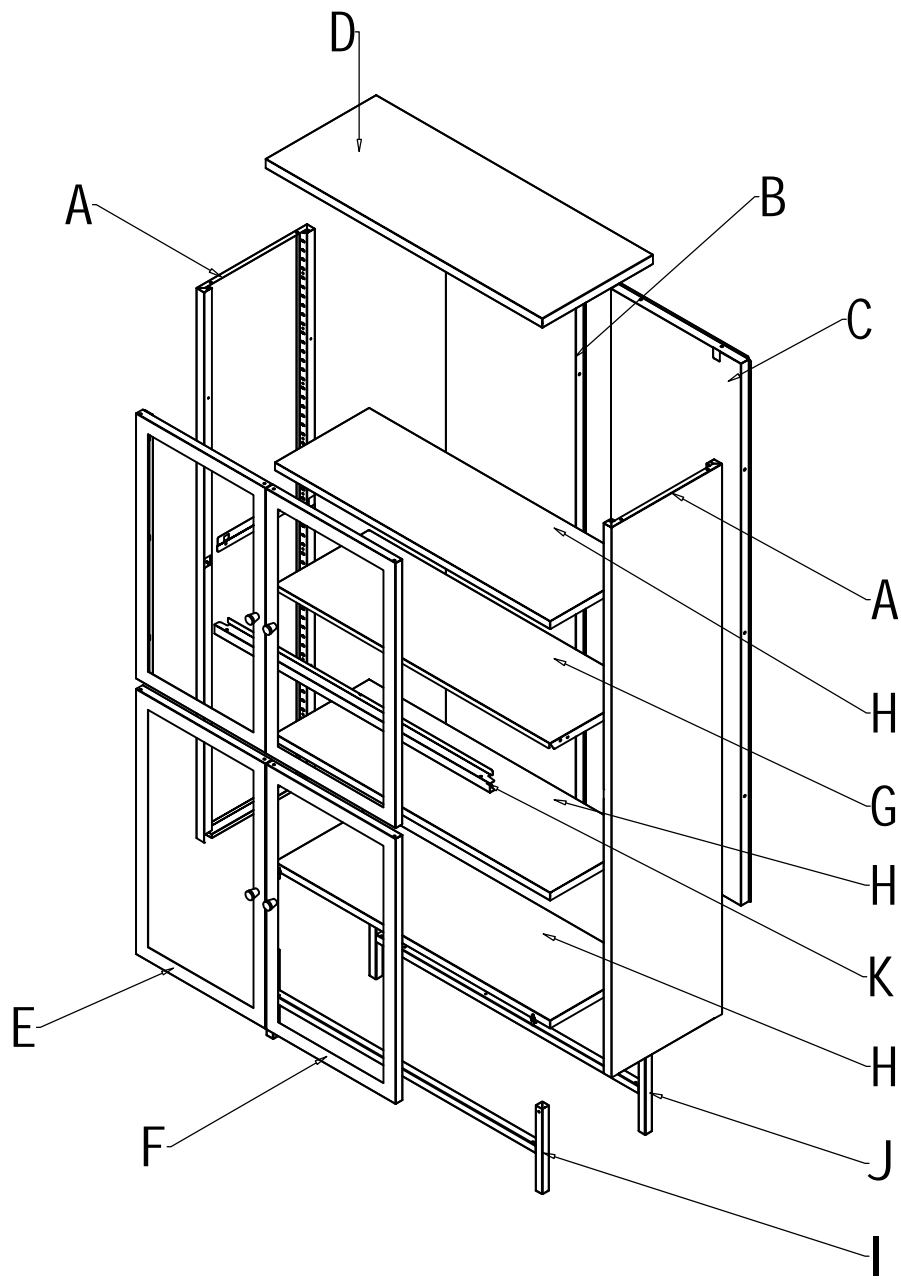


ASSEMBLY INSTRUCTION

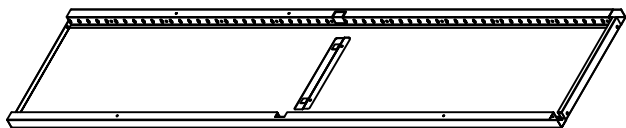
FWH200101B-F1/FWH200101B-B2/FWH200101B-W3



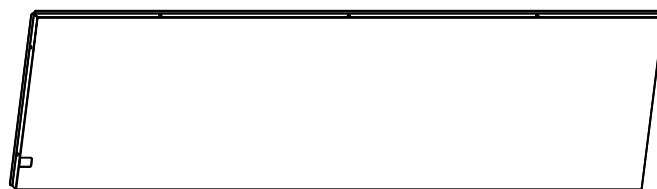
1/9



A*2



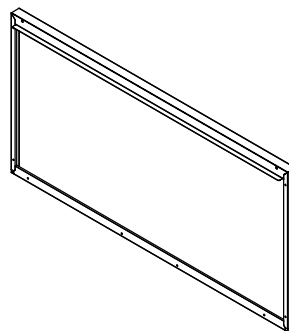
B*1



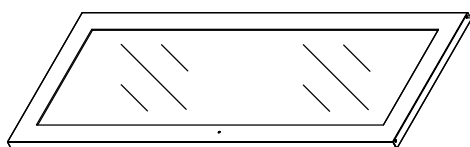
C*1



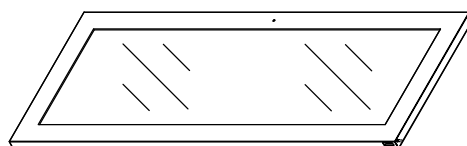
D*1



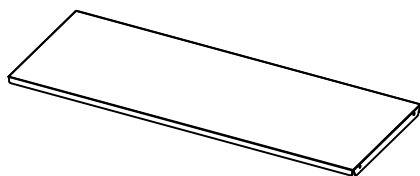
E*2



F*2



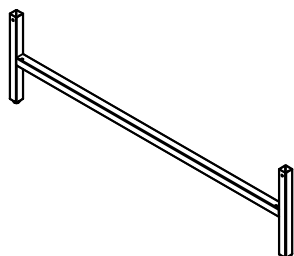
G*1



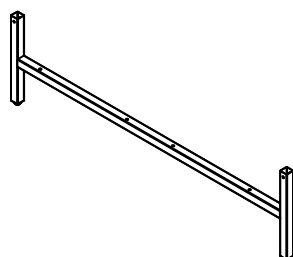
H*3



I*1



J*1



K*1



a



×4

b



×8

c



×4

e



×8

f

M4×8



×22

g

M4×22



×4

h



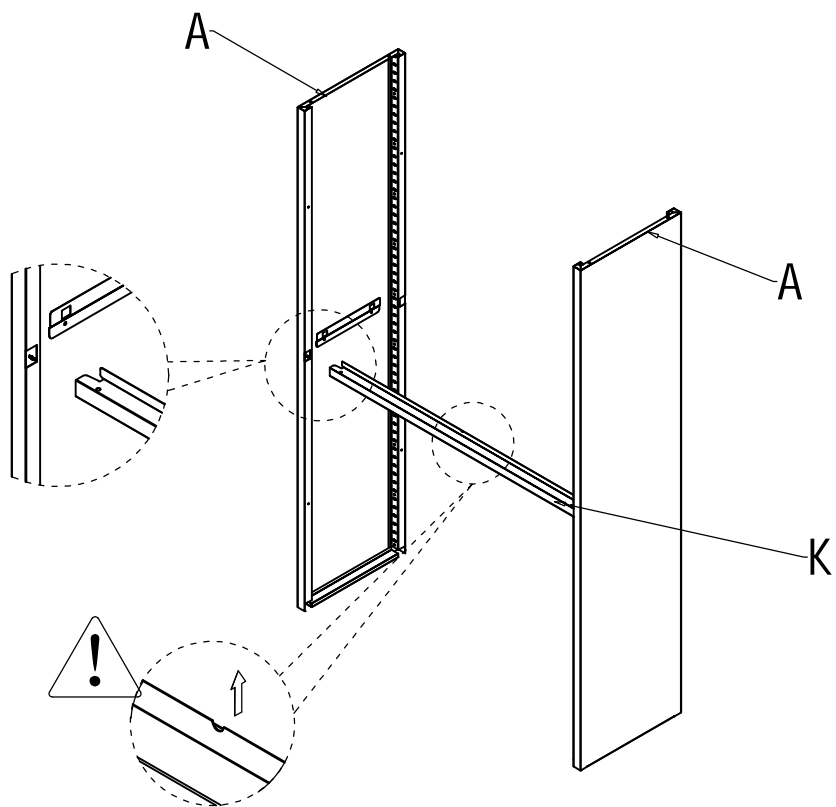
×2

i

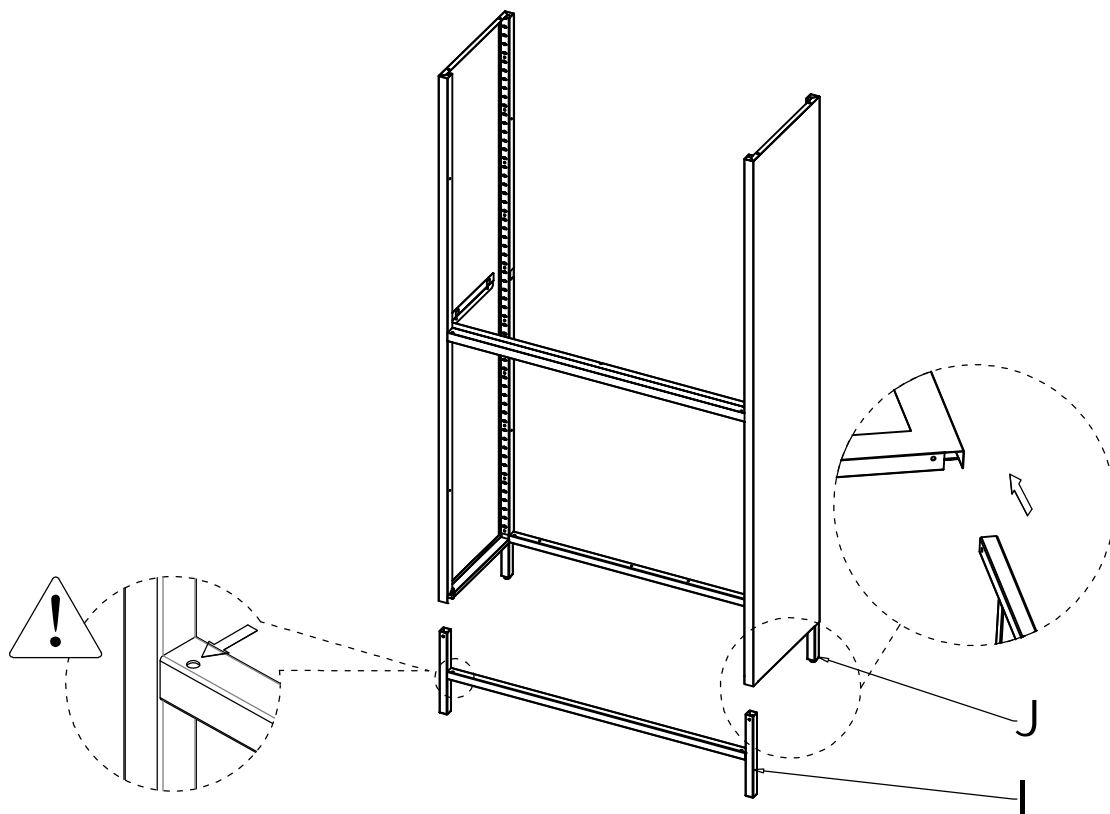


×2

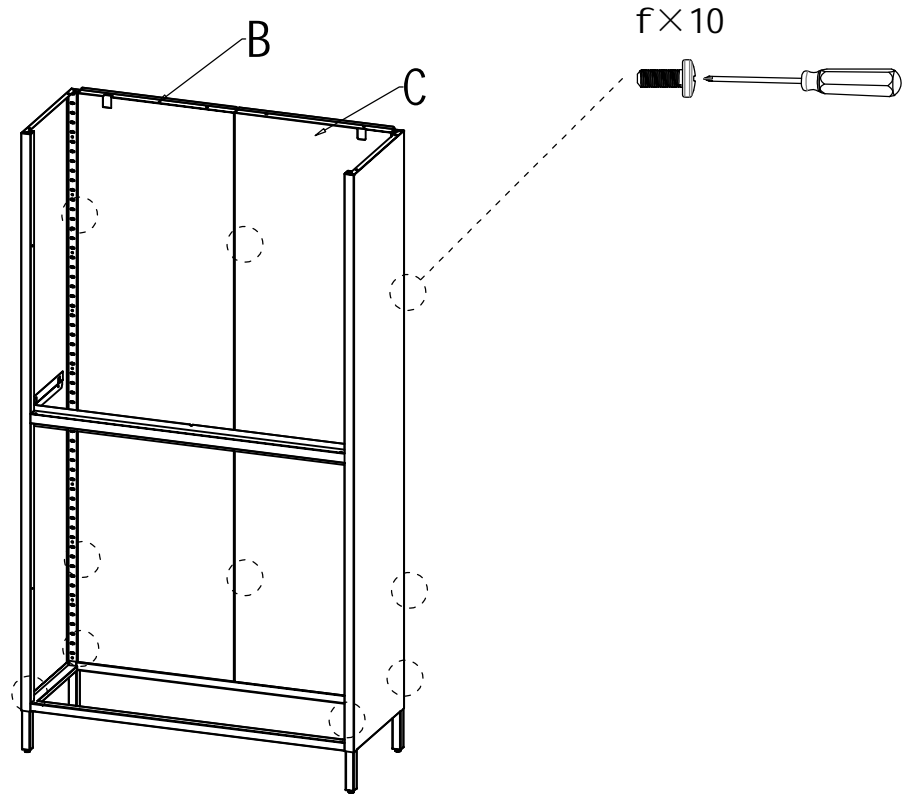
1



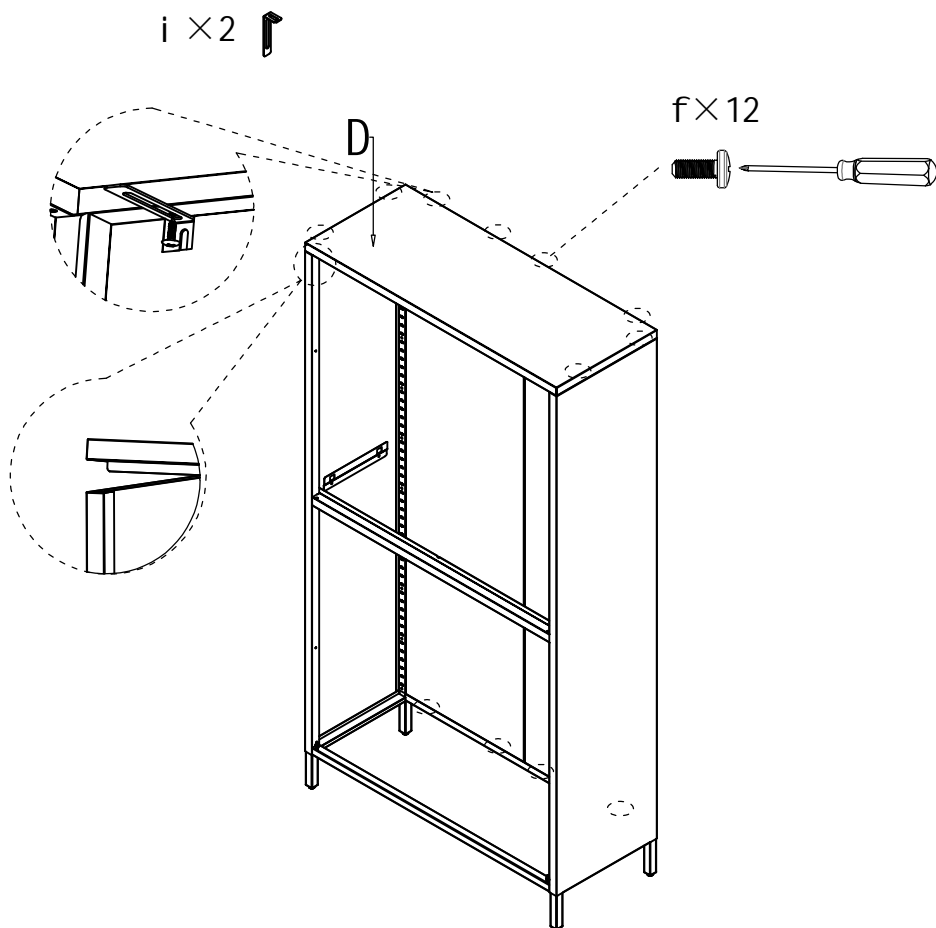
2



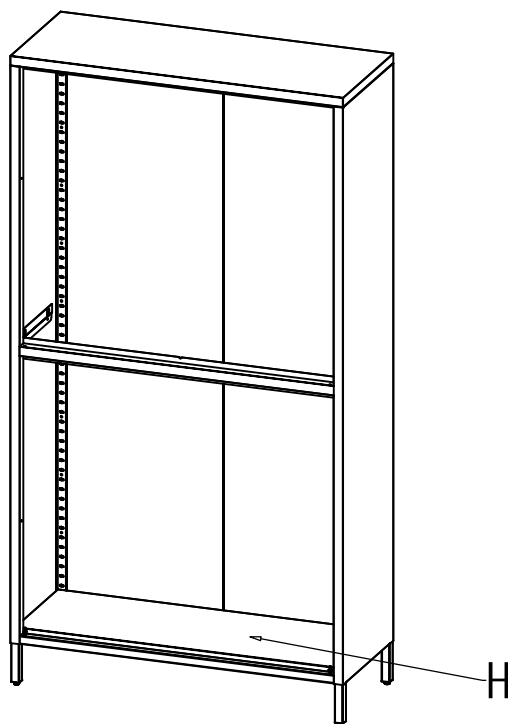
3



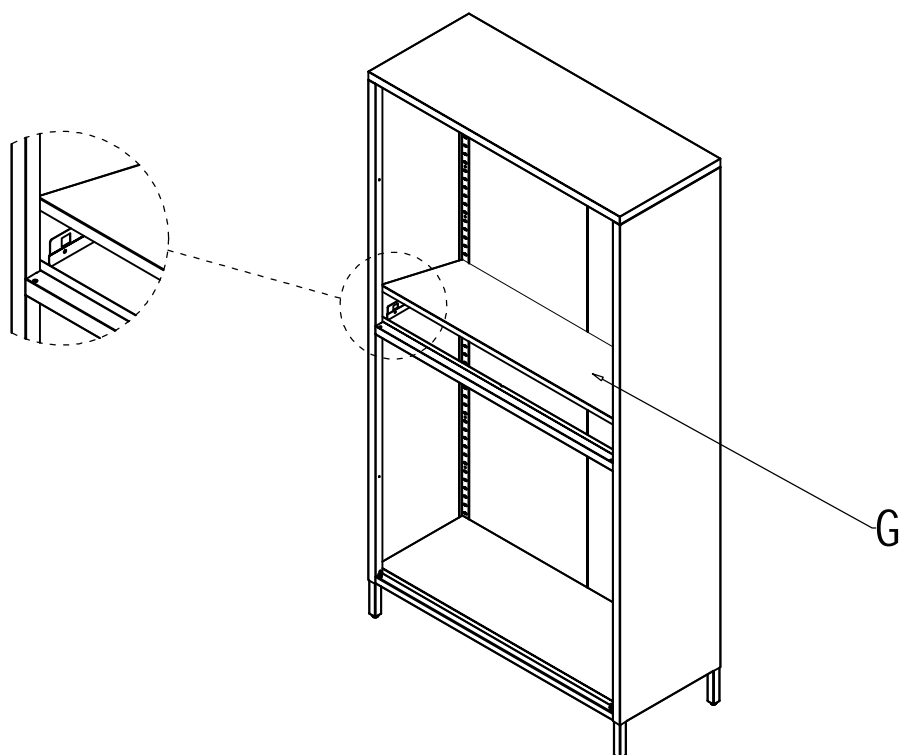
4



5

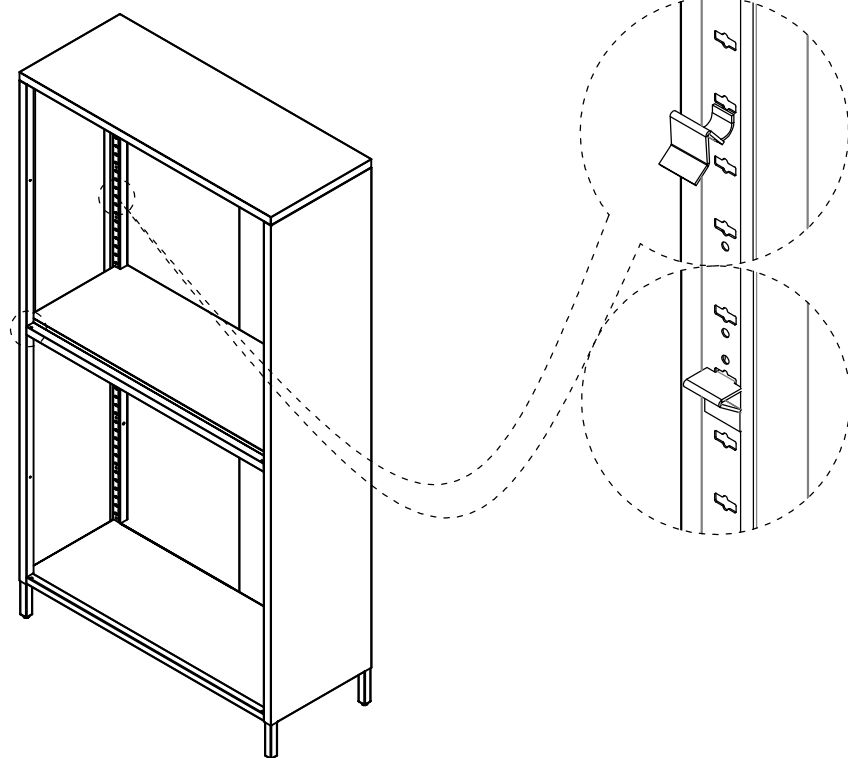


6

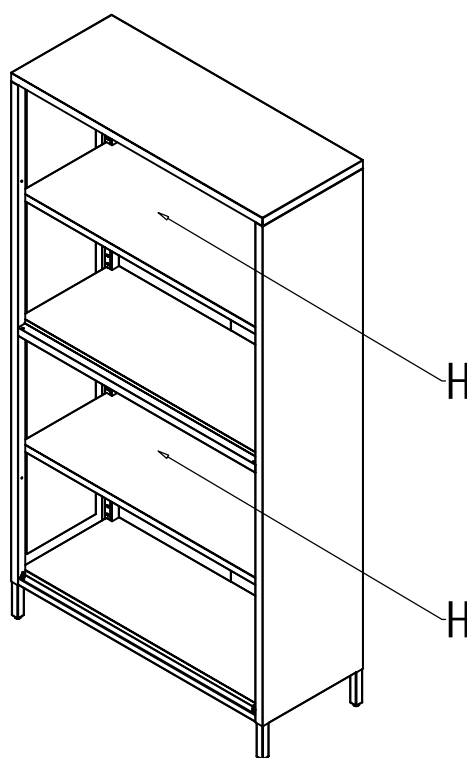


7

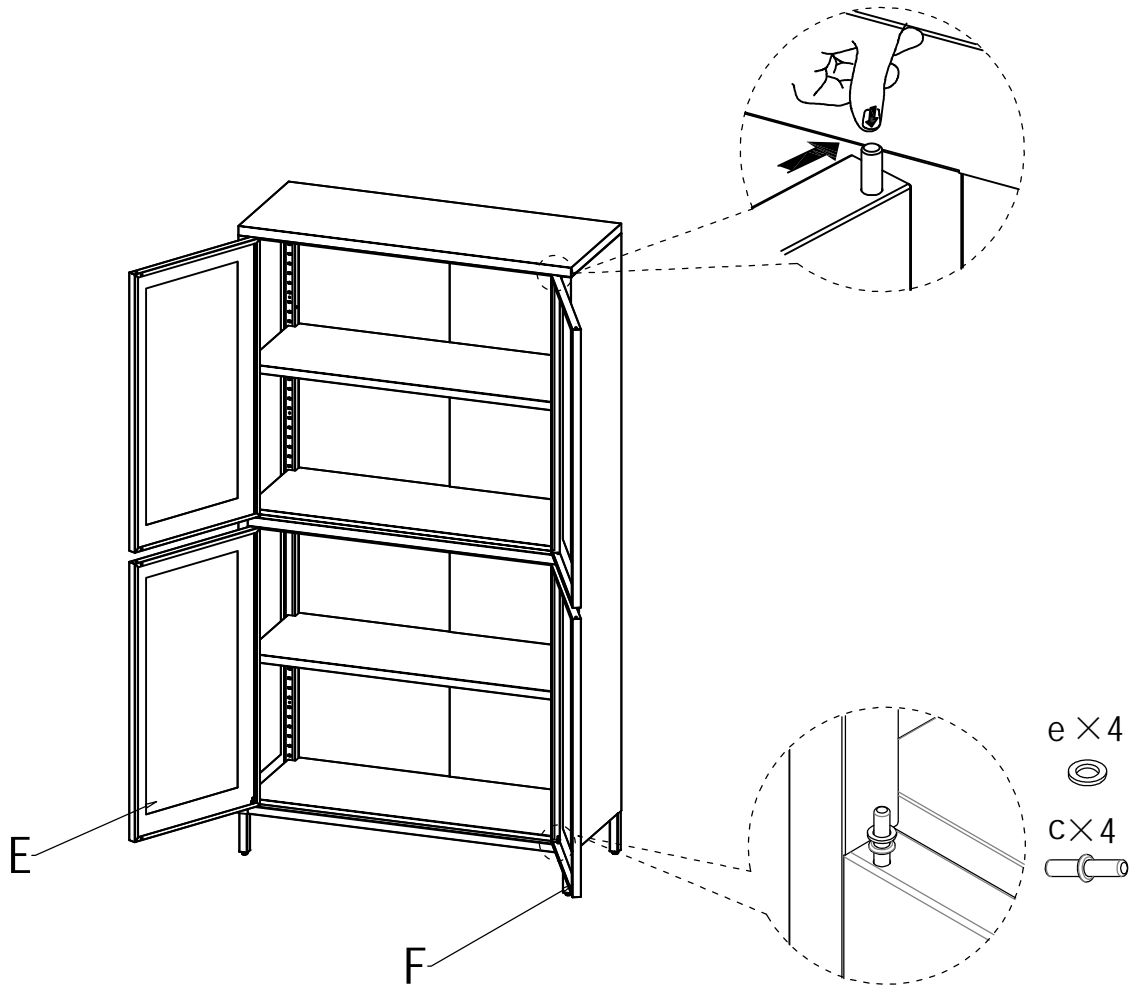
b × 8



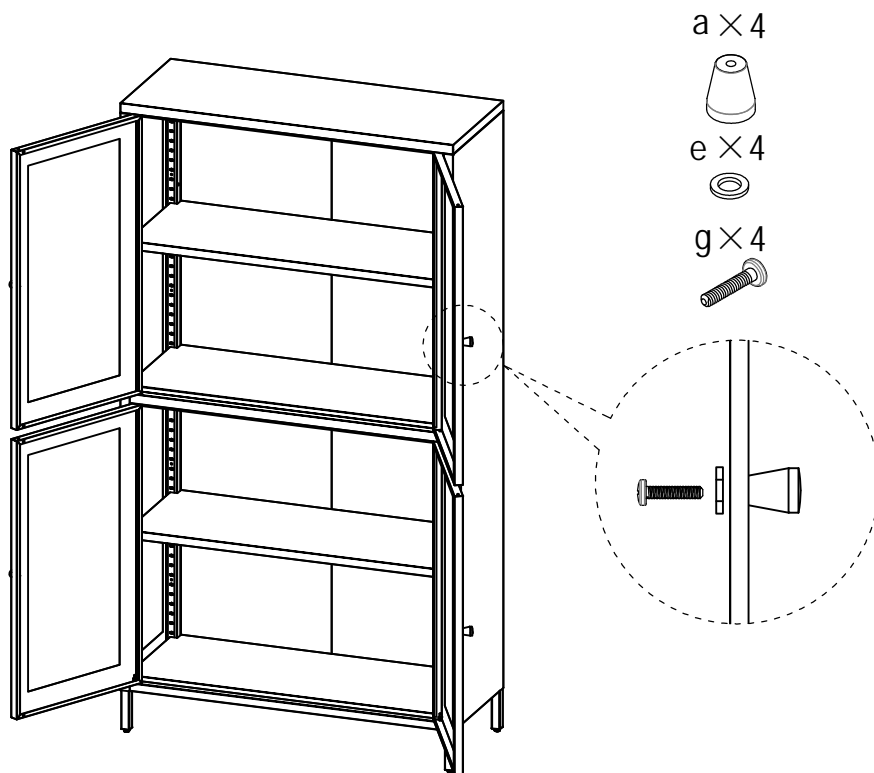
8



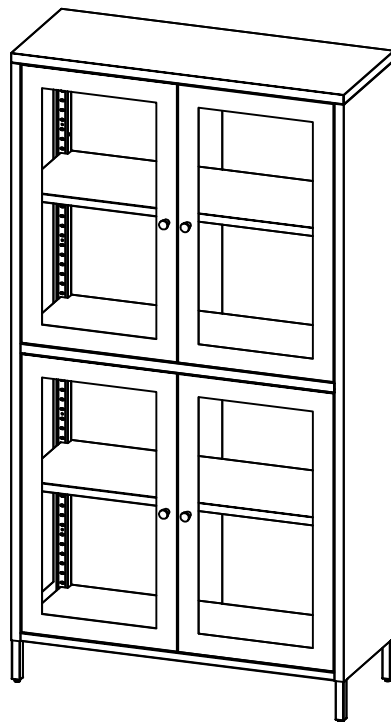
9



10



11



12

$h \times 2$

