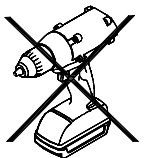
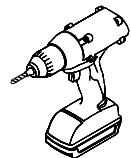
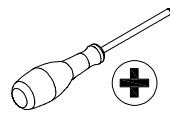
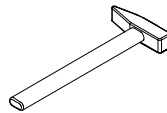
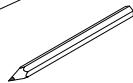
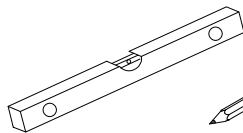
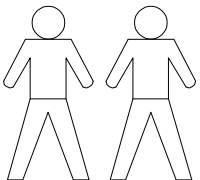
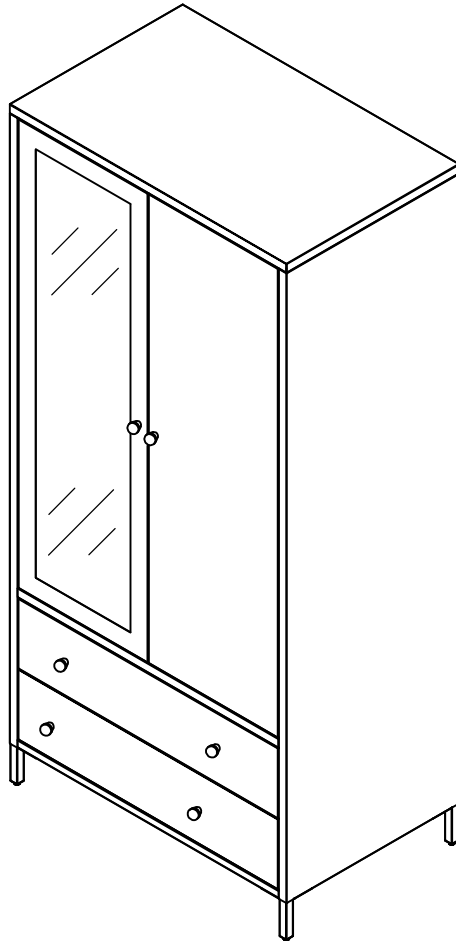
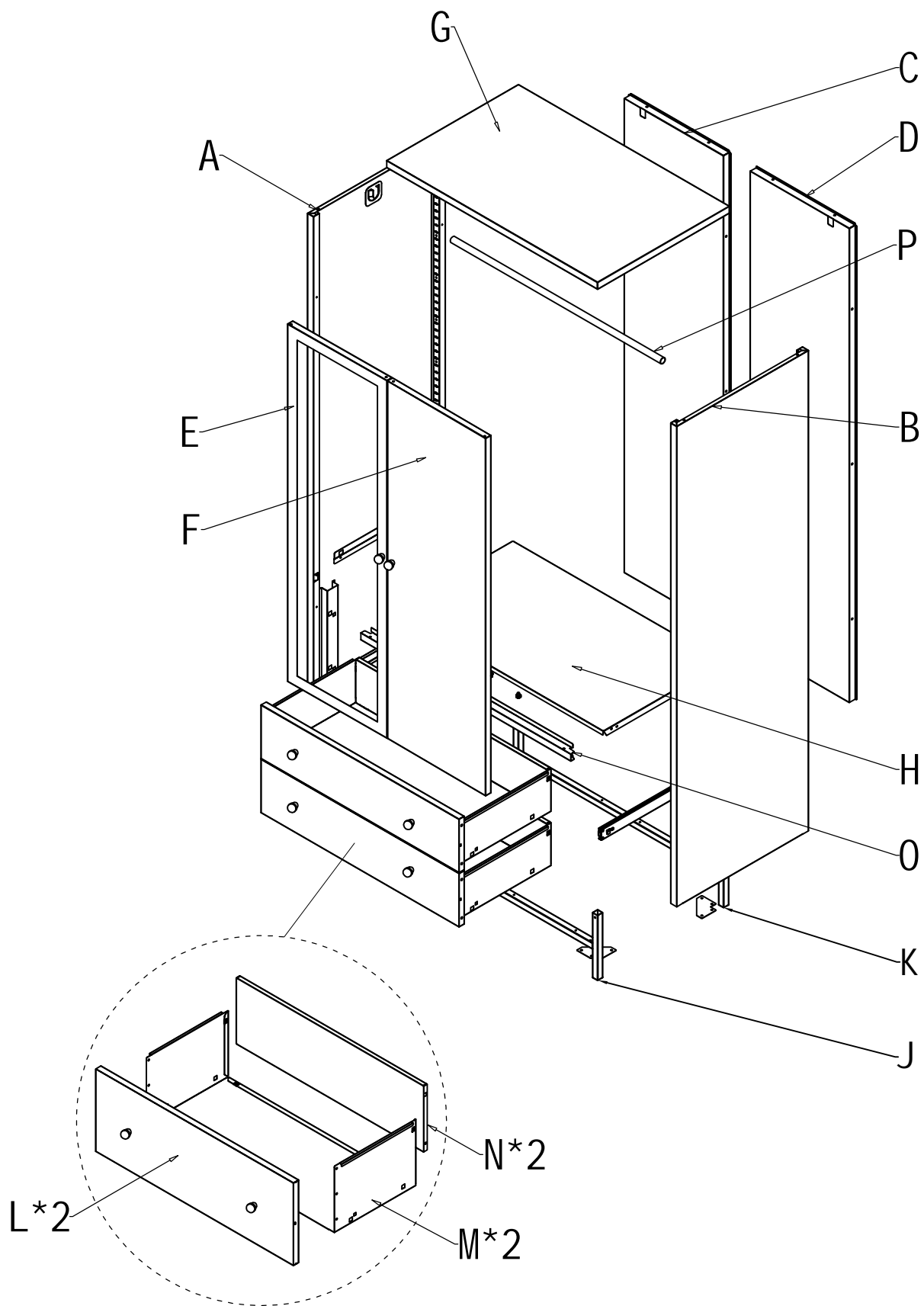


ASSEMBLY INSTRUCTION

FWH200104W-1/FWH200104GY-2





A*1



B*1



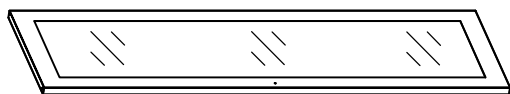
C*1



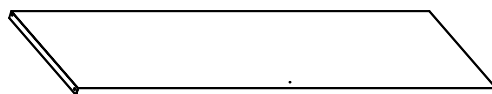
D*1



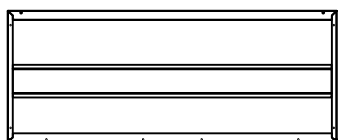
E*1



F*1



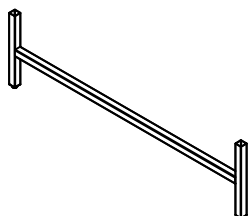
G*1



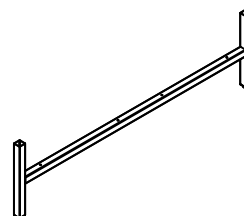
H*1



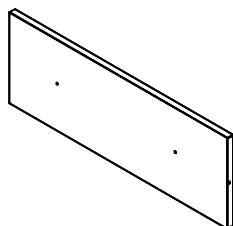
J*1



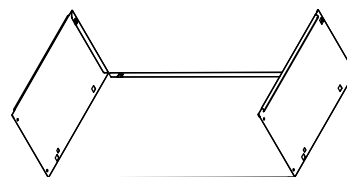
K*1



L*2



M*2



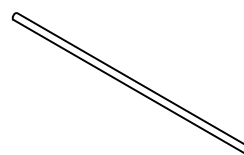
N*2



O*1



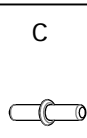
P*1



×2



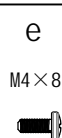
×6



×2



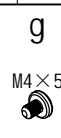
×8



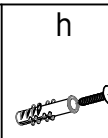
×45



×1



×5



×2

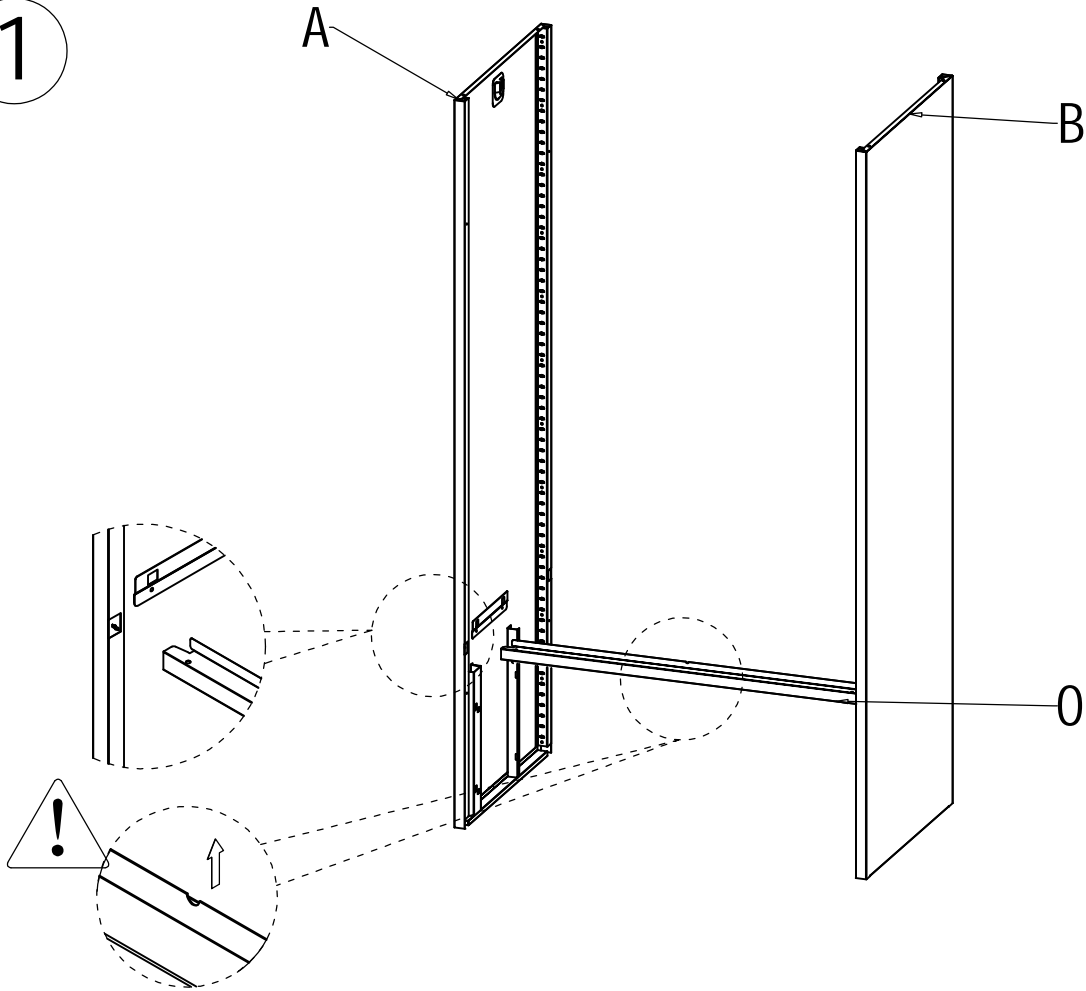


×4

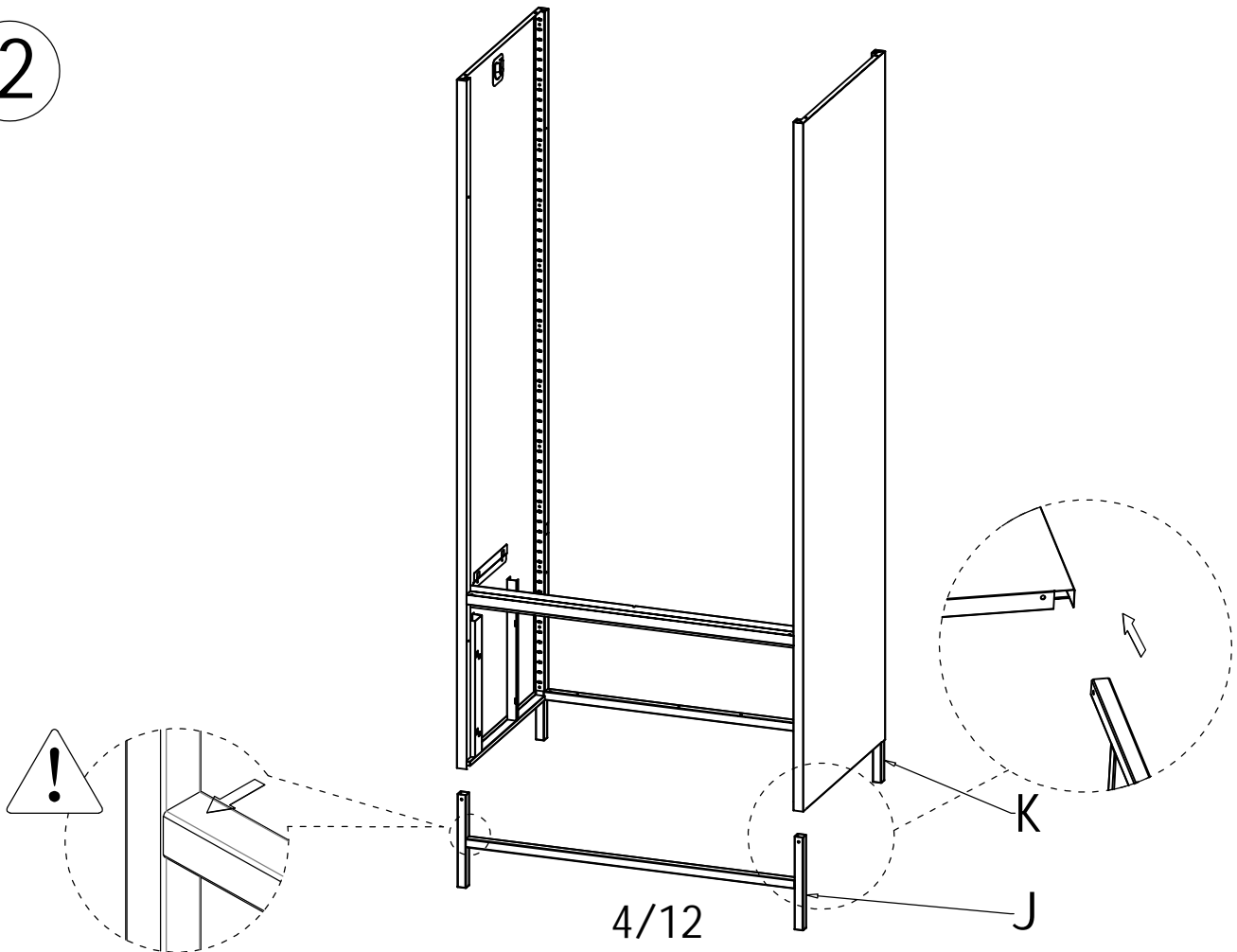


×2

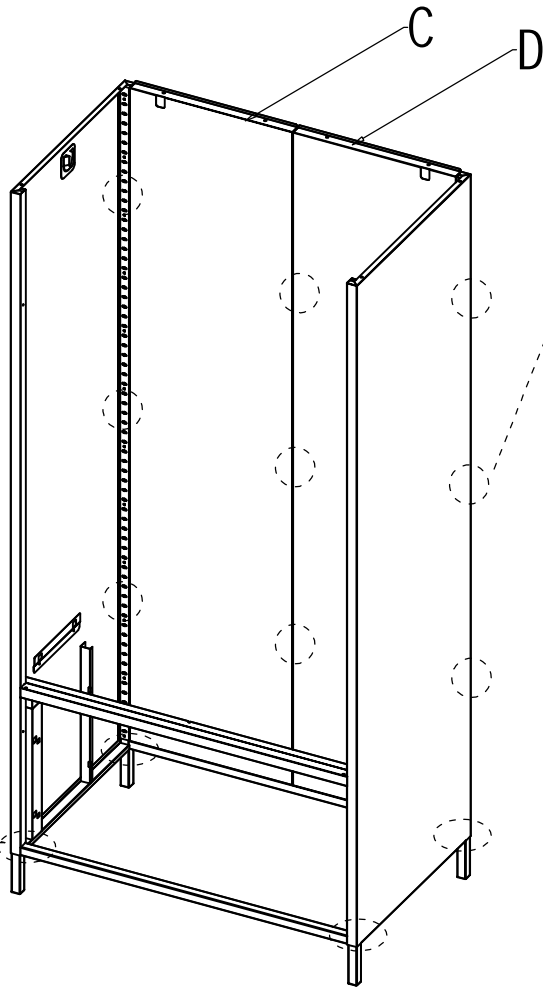
1



2



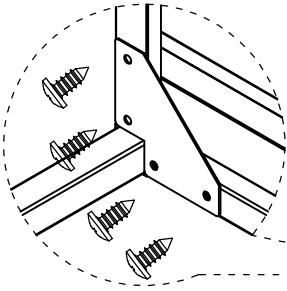
3



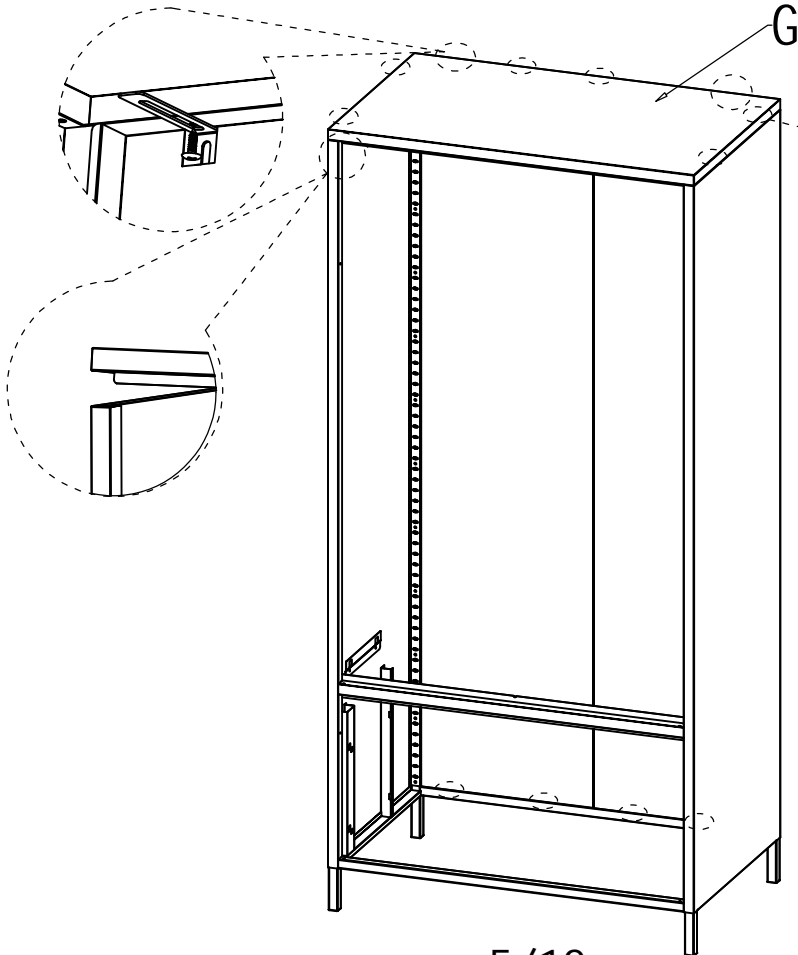
$i \times 4$



$e \times 25$



4



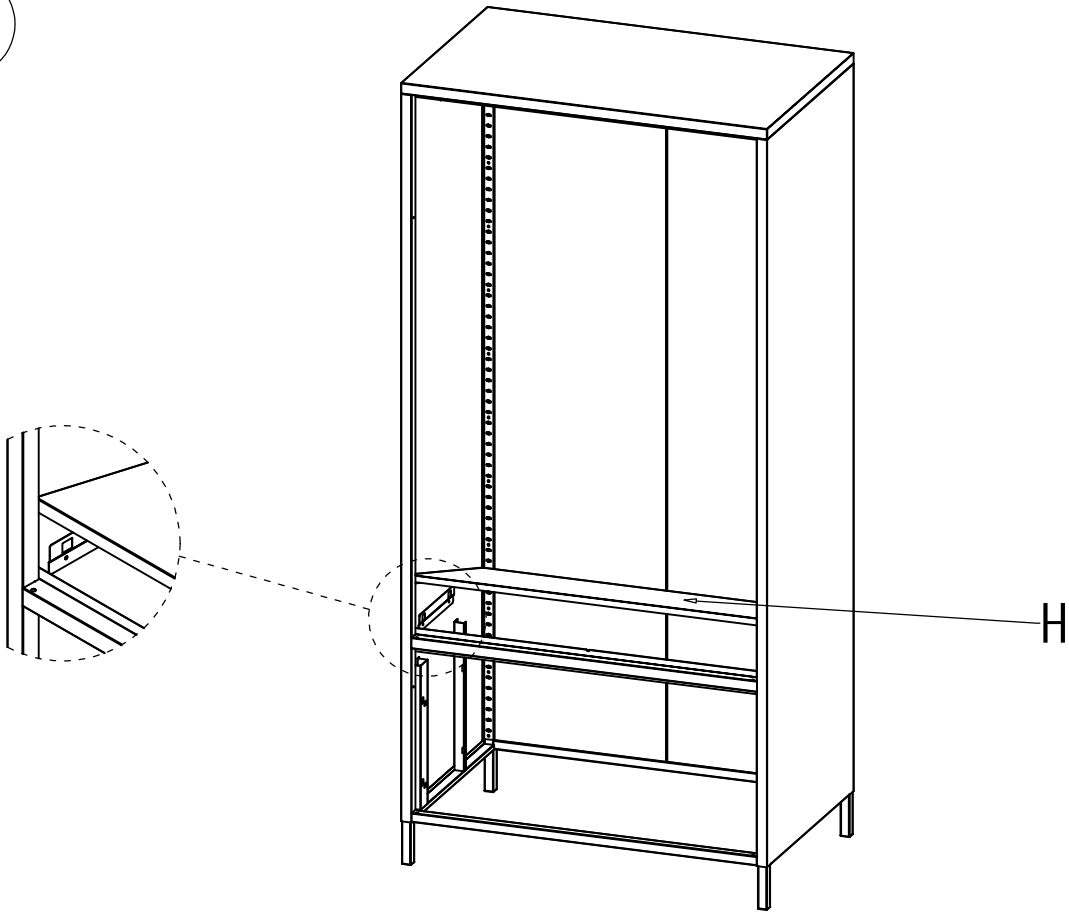
$e \times 12$



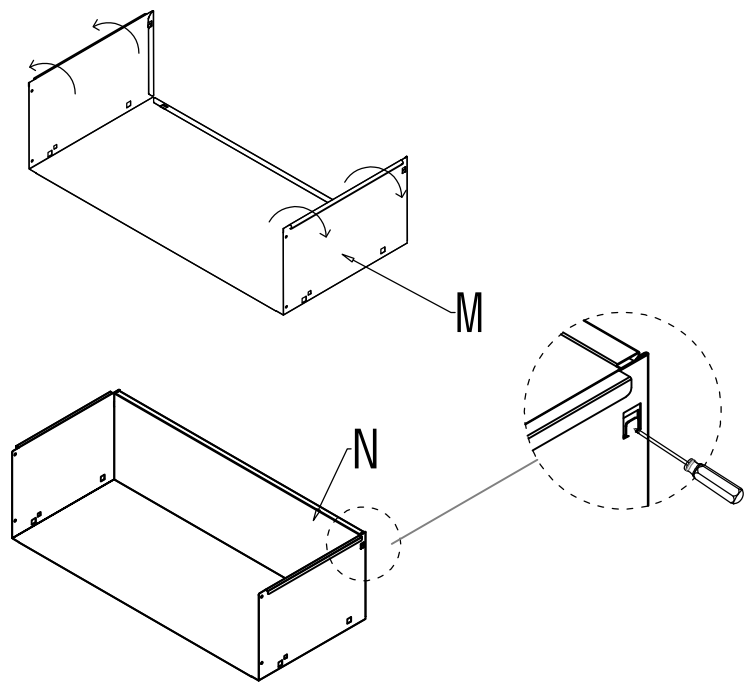
$j \times 2$



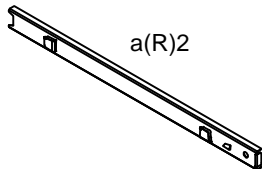
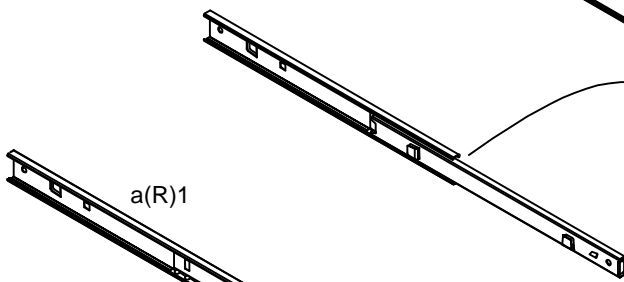
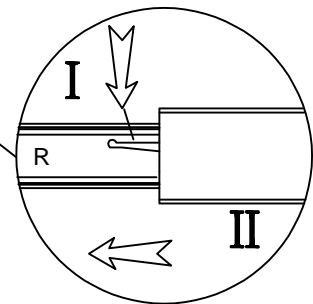
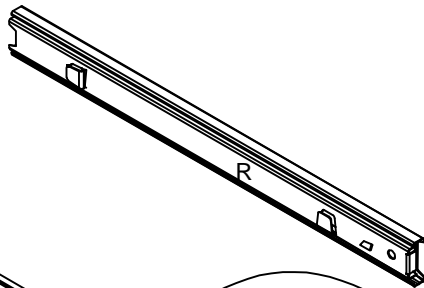
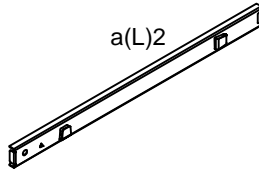
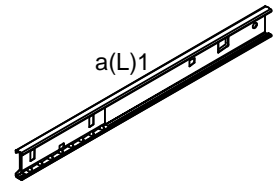
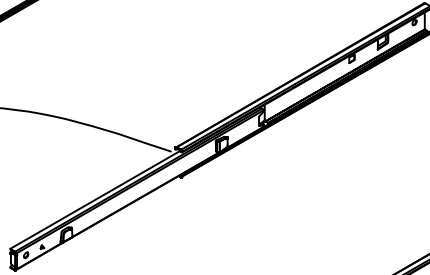
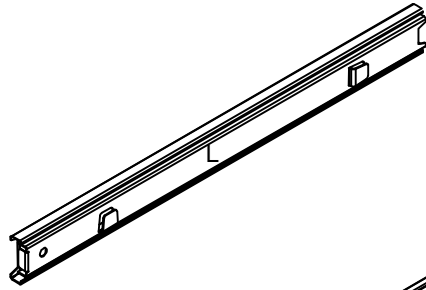
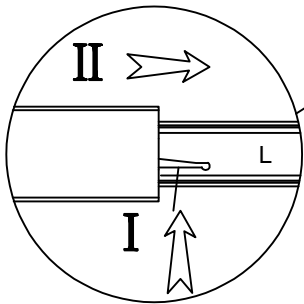
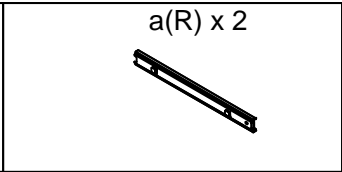
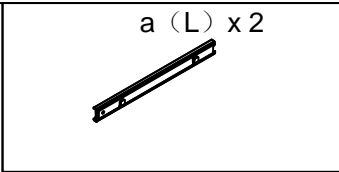
5



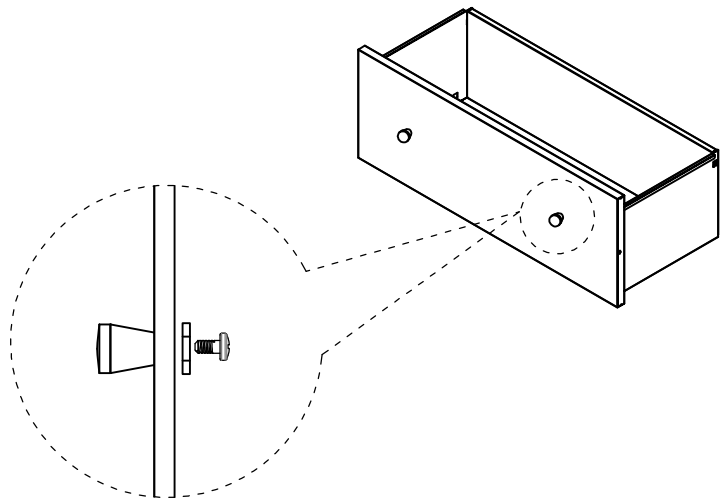
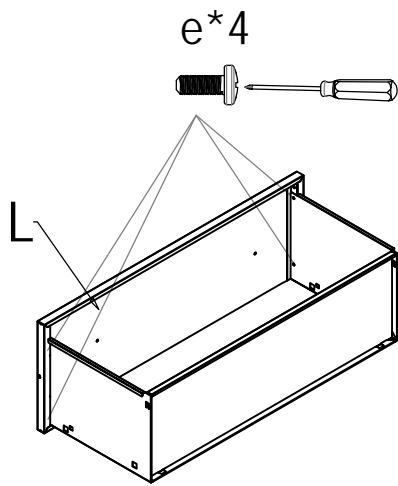
6



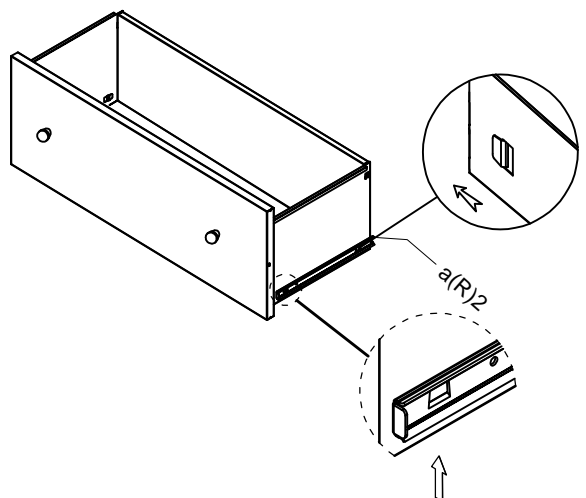
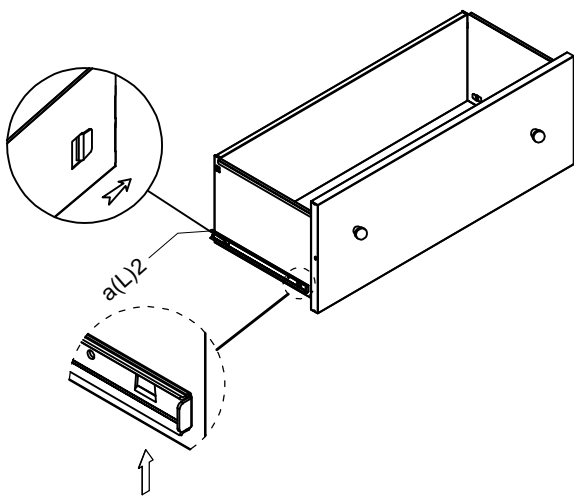
7



8

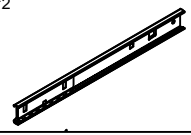


9

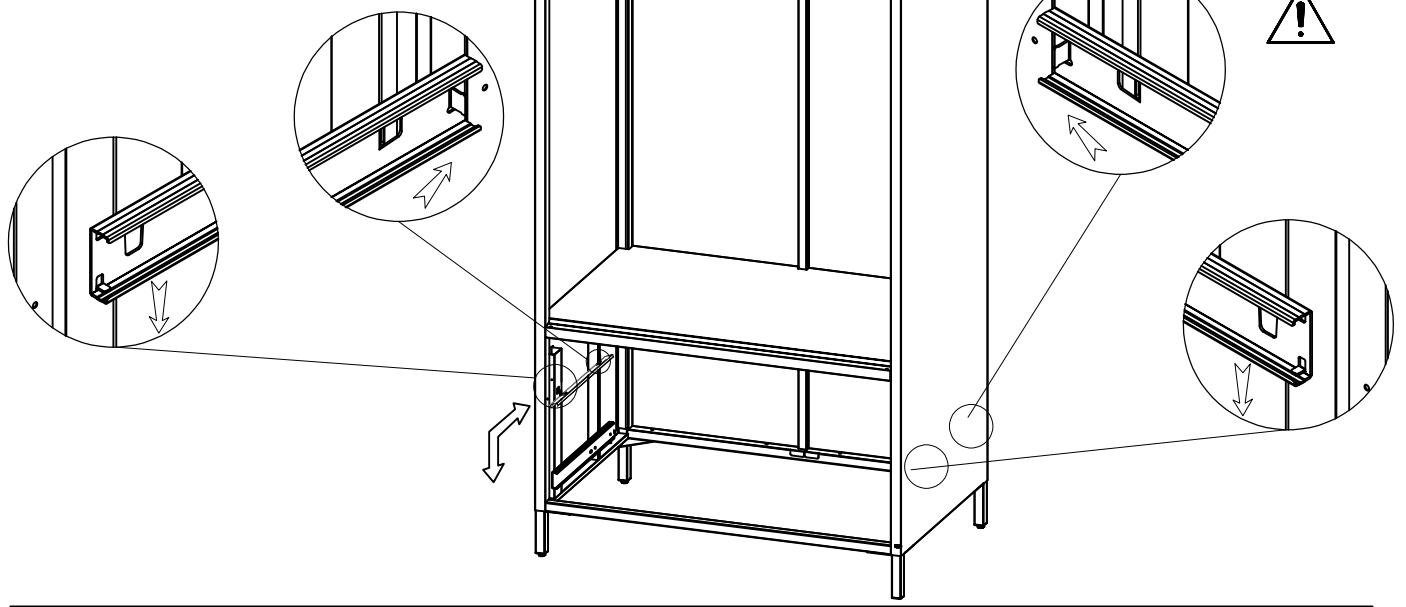
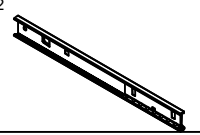


10

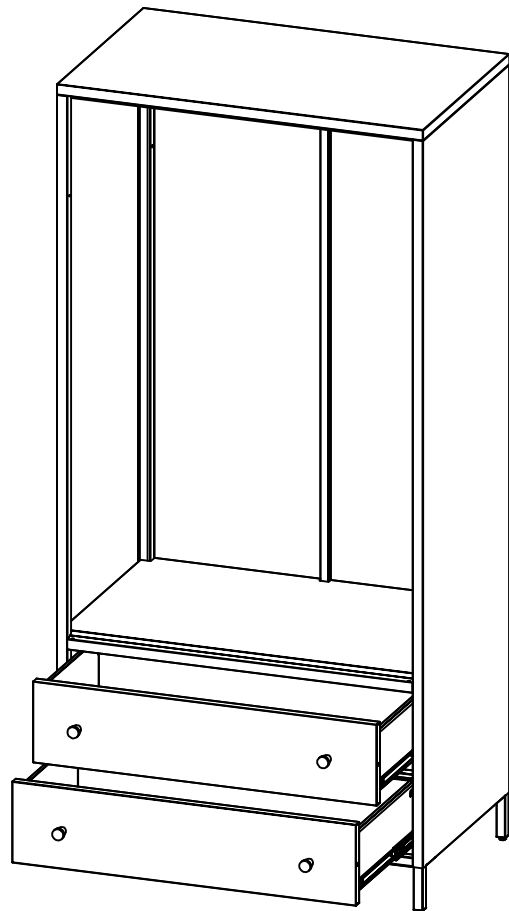
a(L)1*2



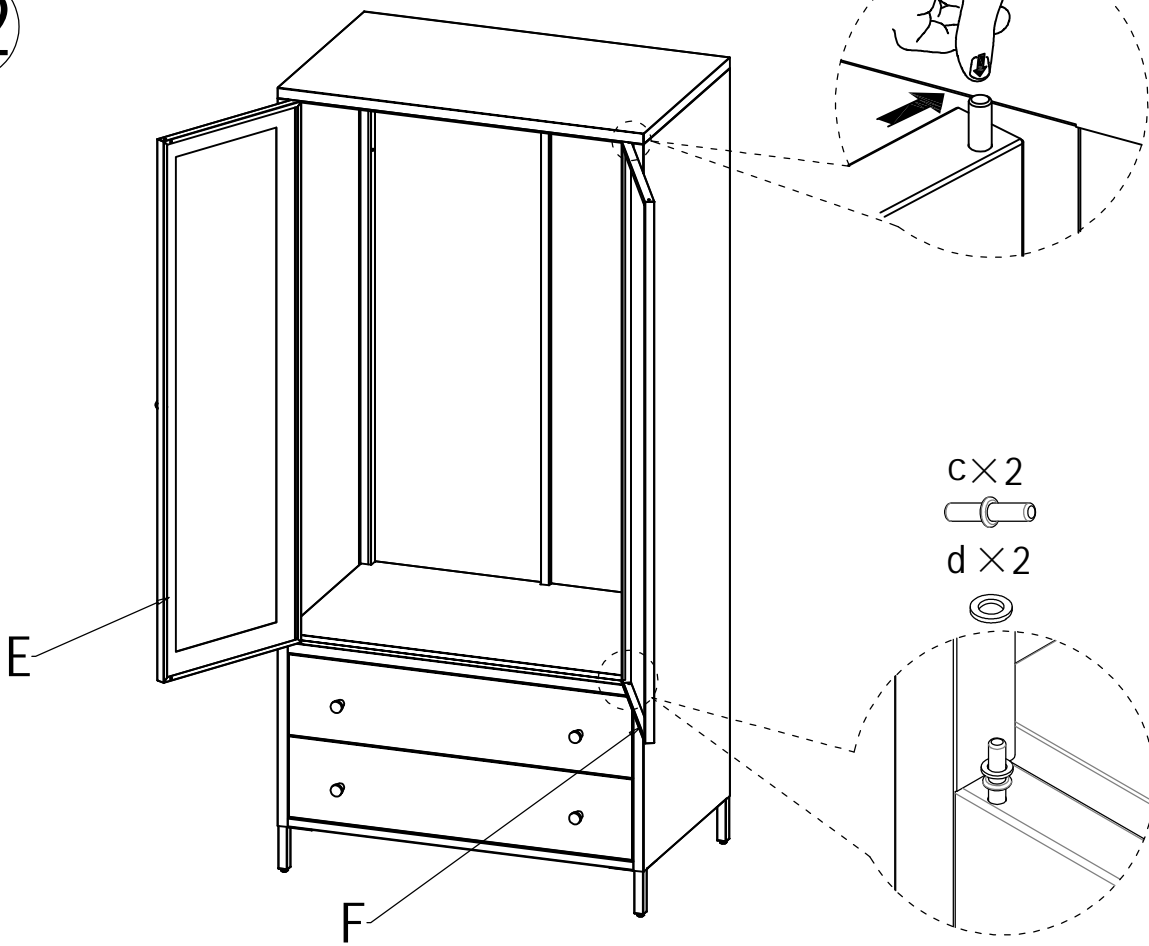
a(R)1*2



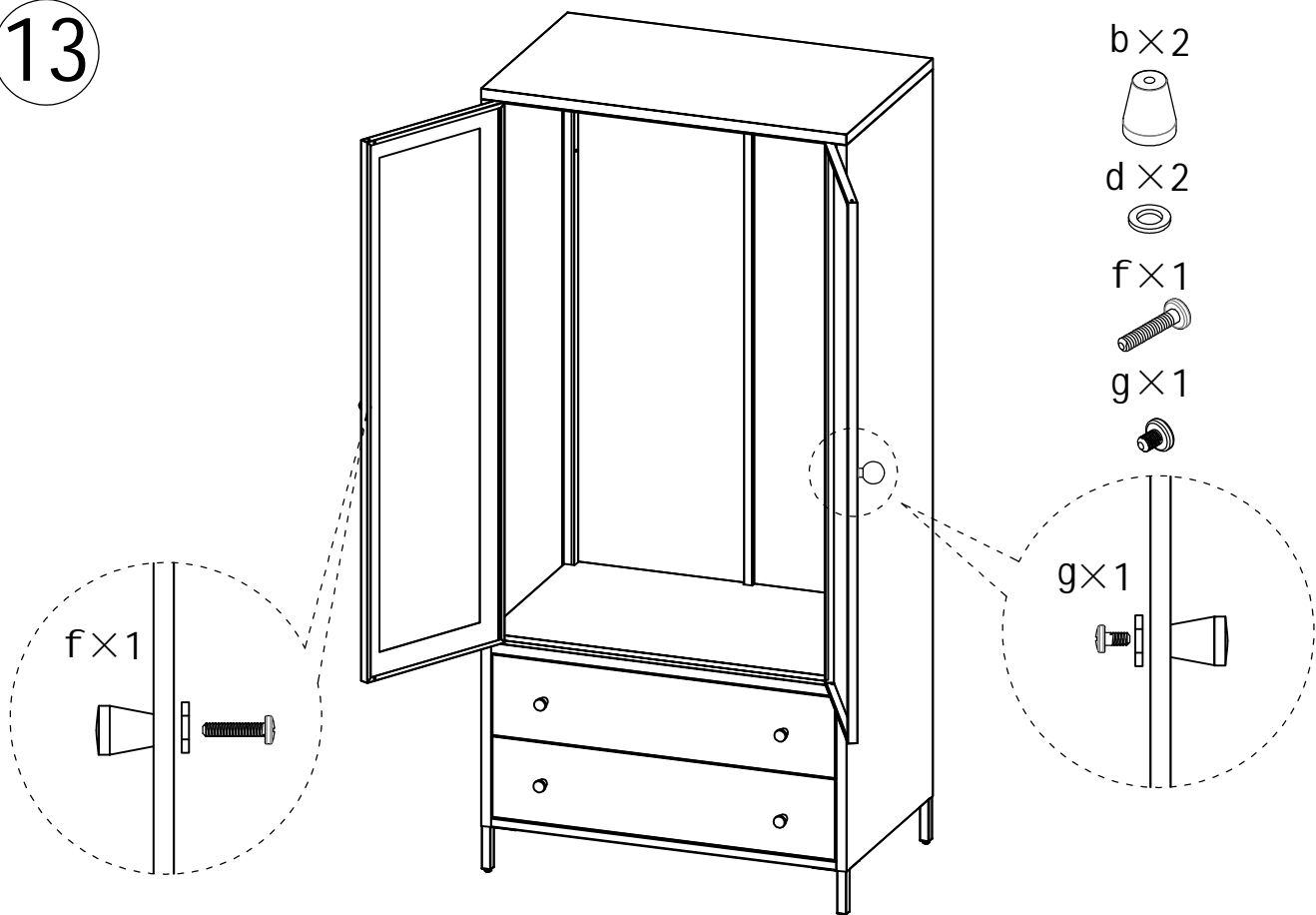
11



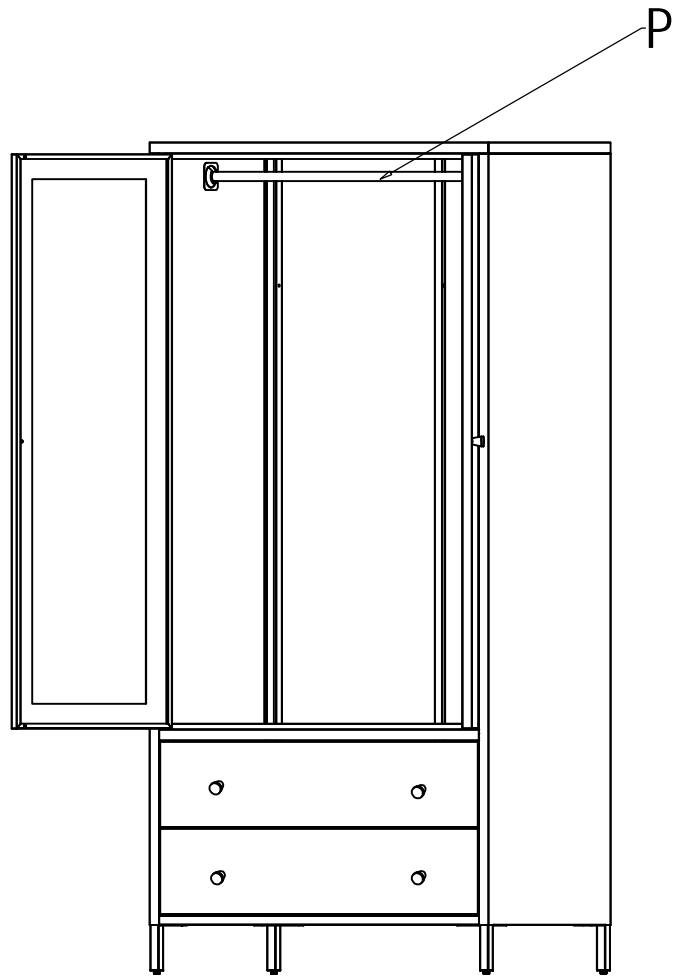
12



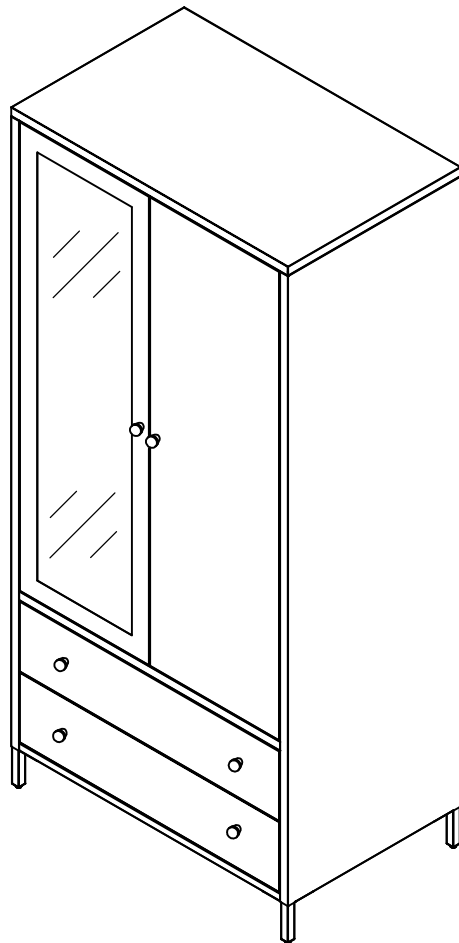
13



14



15



11/12

16

h × 2

