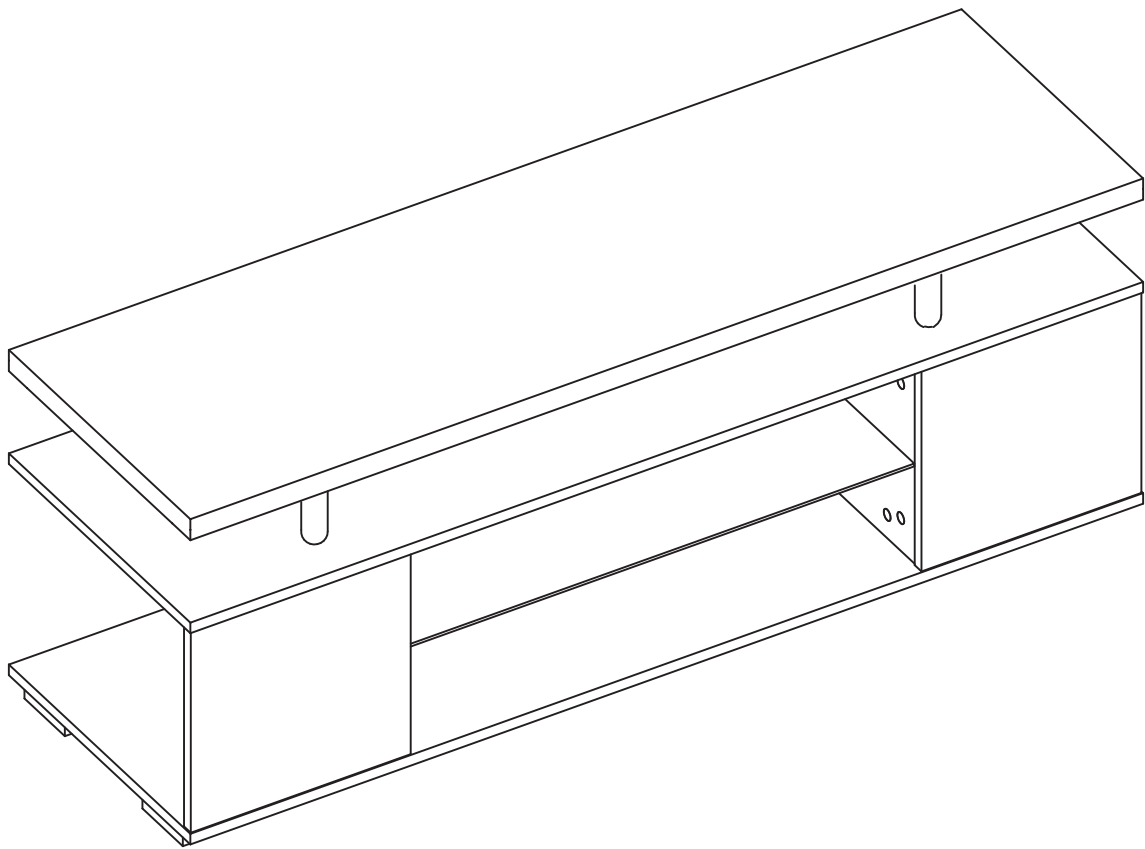
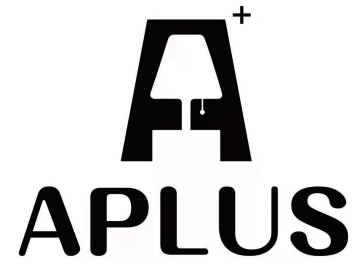
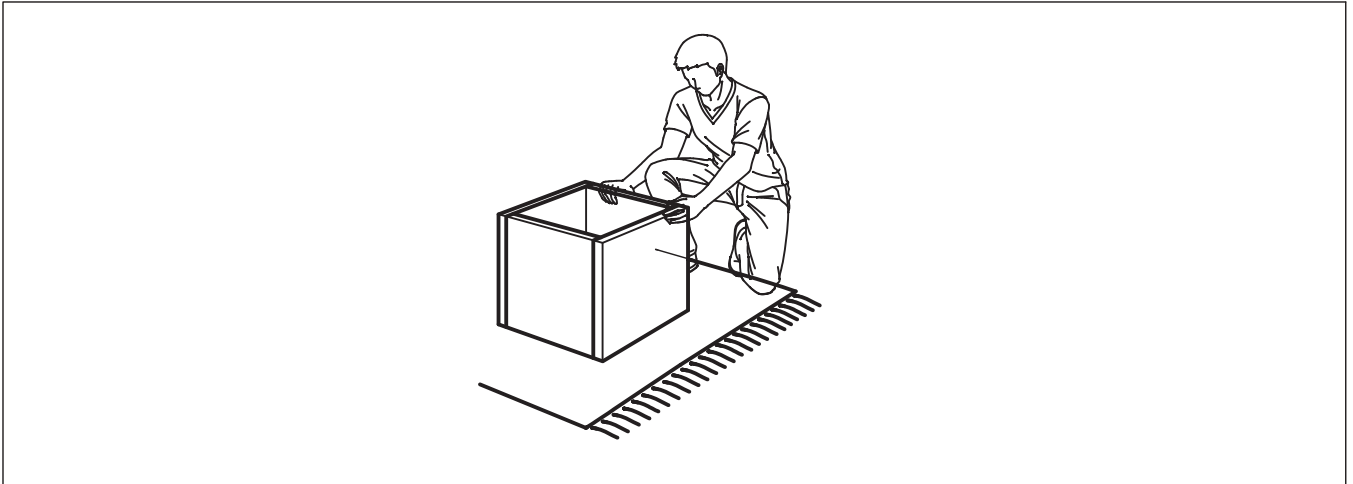


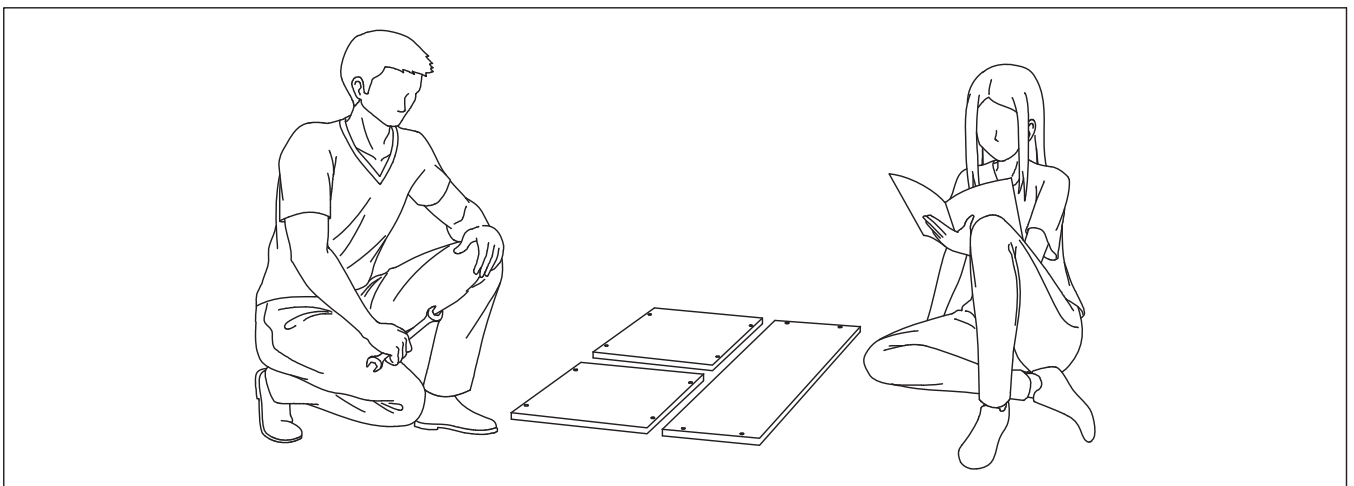
INSTRUCTION  
MANUAL



Customer service email: [info@i-aplus.com](mailto:info@i-aplus.com)

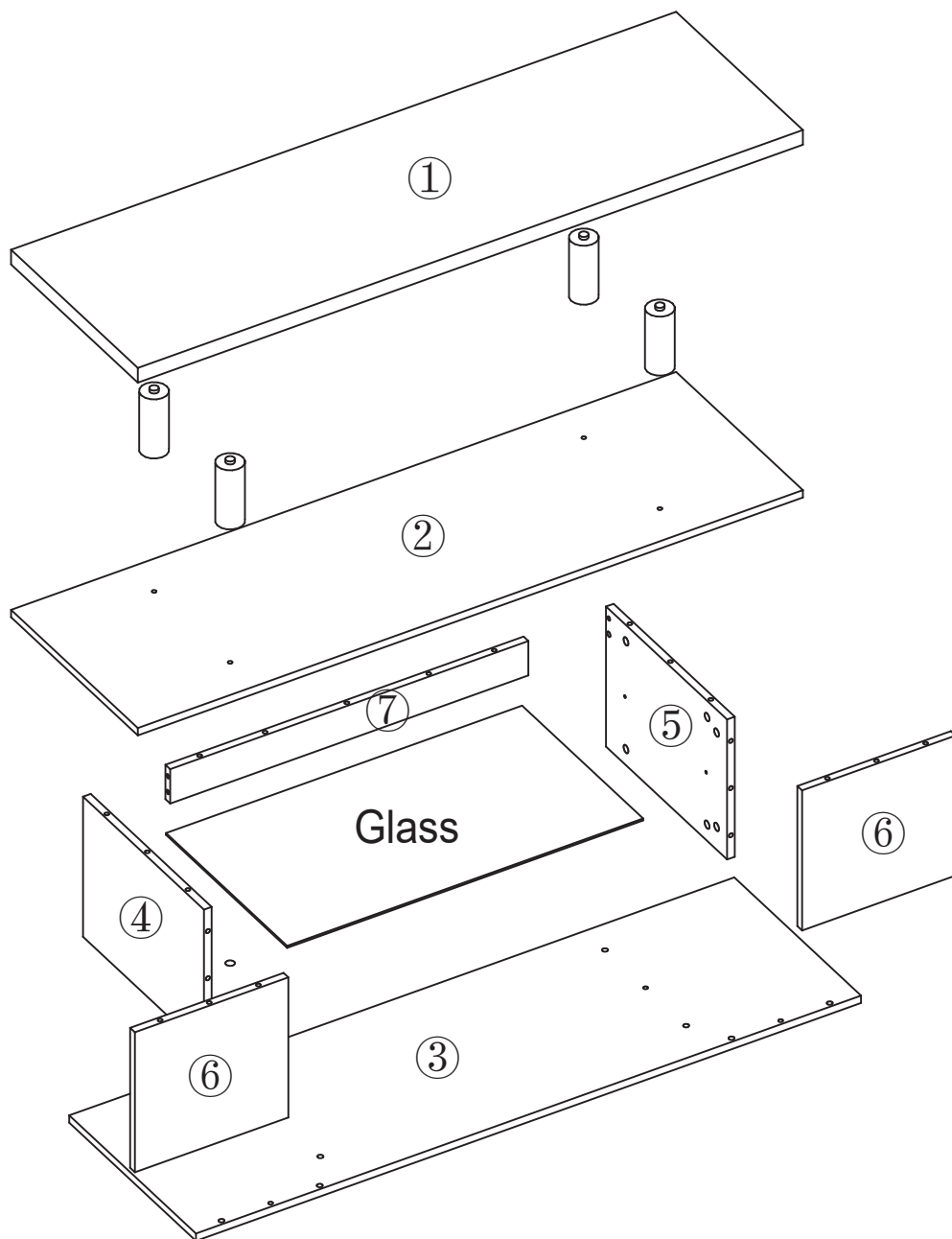


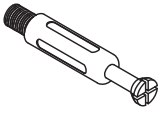
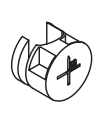
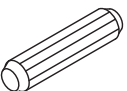
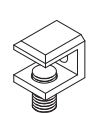

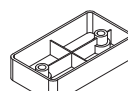
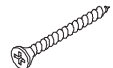
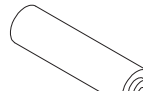


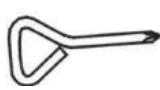

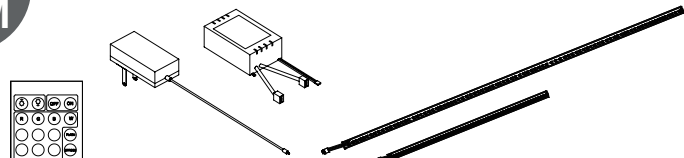
Assemble the furniture on empty carton, carpet, or rug to prevent scratches or damage.



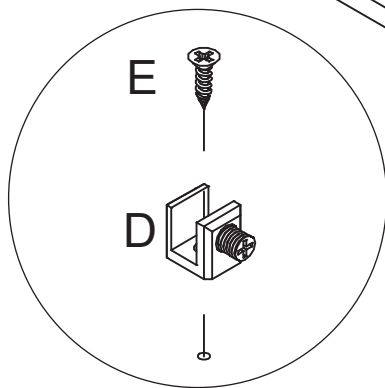
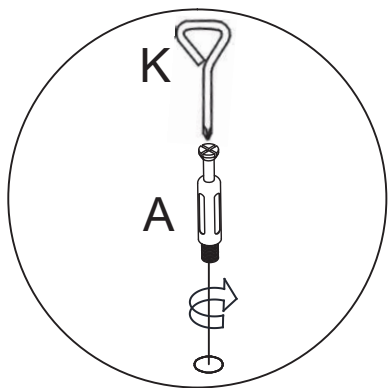
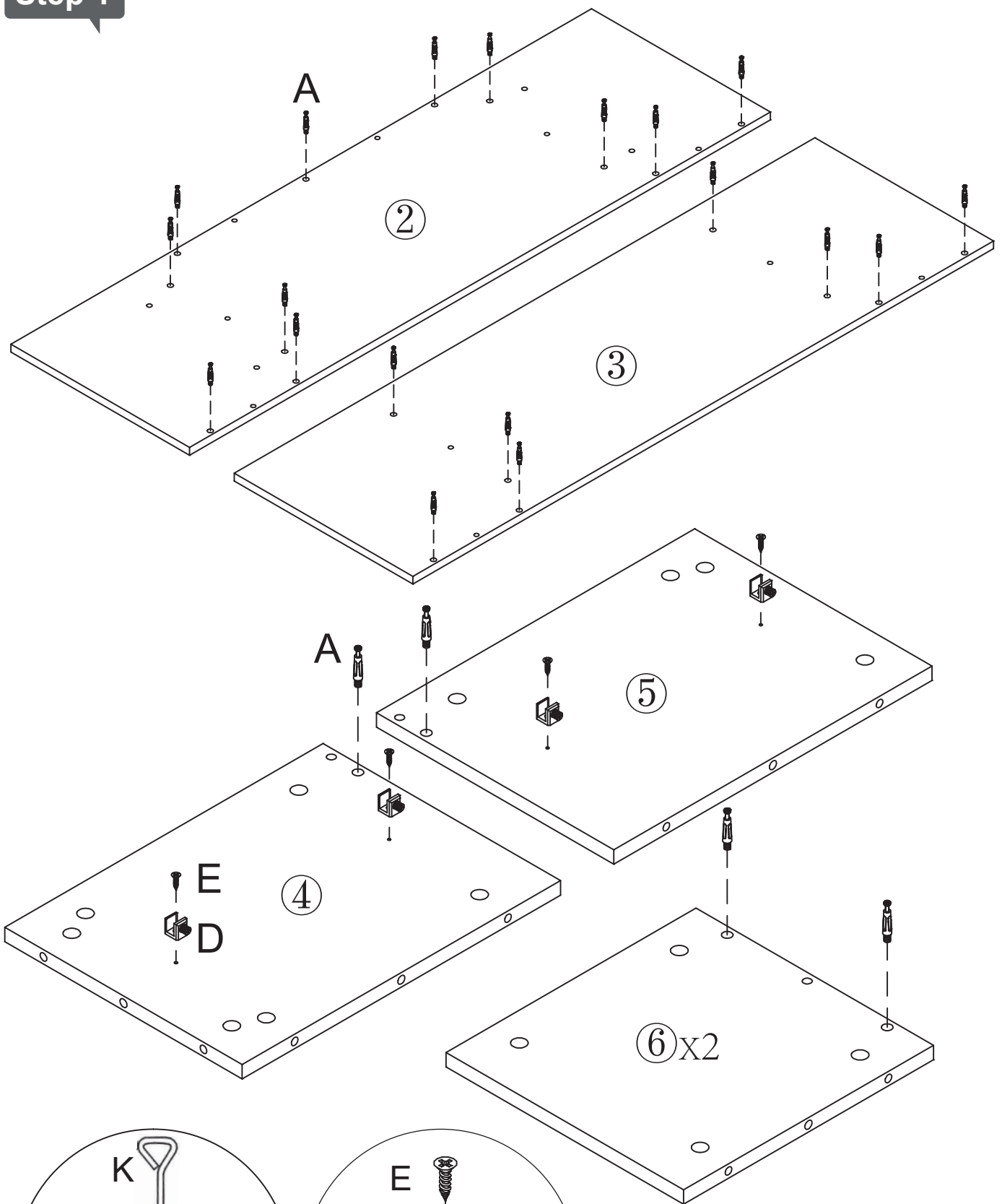
This furniture requires 2 people to assemble.  
Make sure on parts are missing or damaged before assembly.


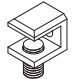

PARTS LIST



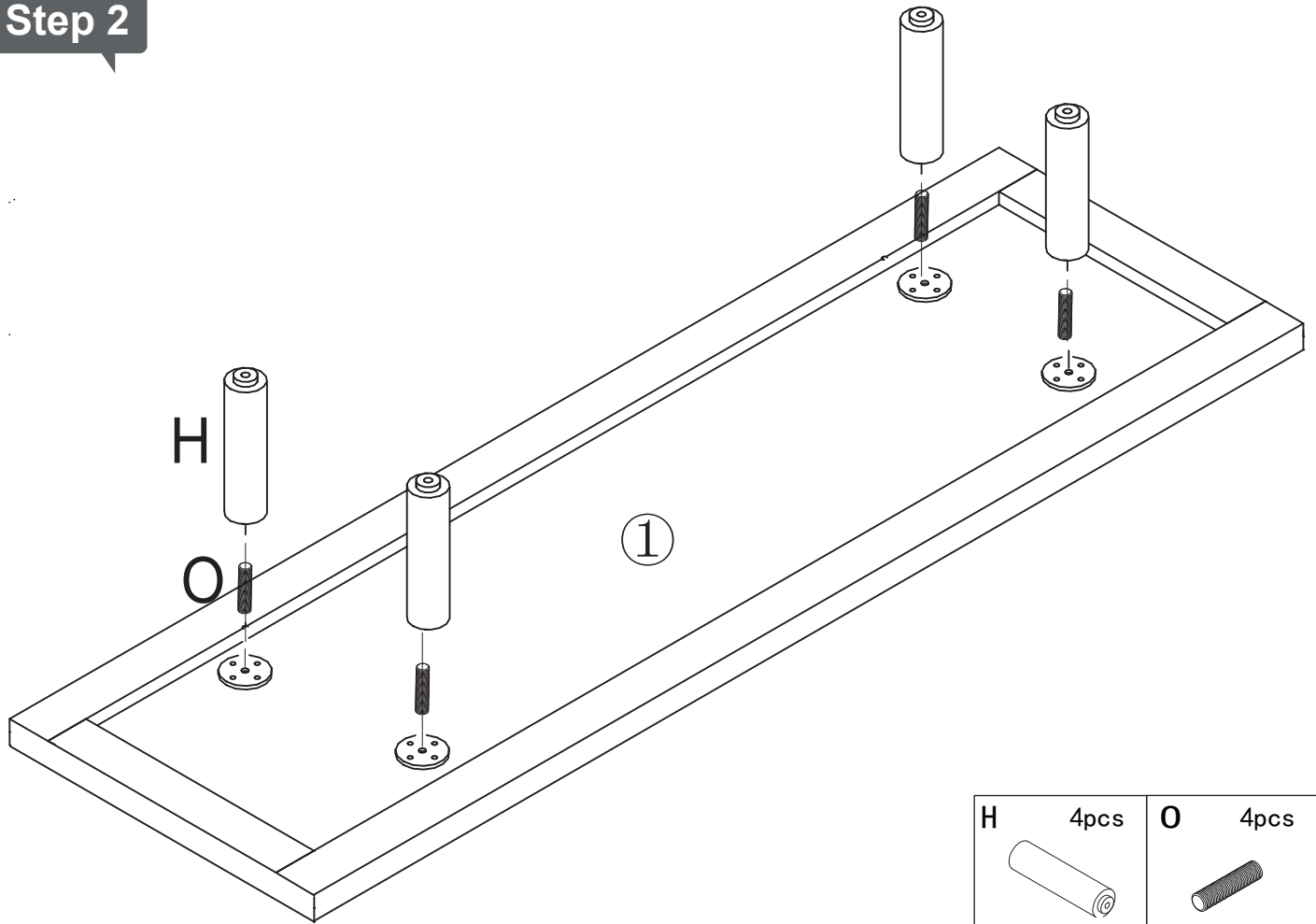
<p><b>A</b></p>  <p>25+2pcs</p>	<p><b>B</b></p>  <p>25+2pcs</p>	<p><b>C</b> <math>\varnothing 8 \times 30\text{mm}</math></p>  <p>14+2pcs</p>	<p><b>D</b></p>  <p>4+1pcs</p>	<p><b>E</b> M3.5*14</p>  <p>4+1pcs</p>
<p><b>F</b></p>  <p>5pcs</p>	<p><b>G</b> M3.5*20</p>  <p>10+2pcs</p>	<p><b>H</b> <math>\Phi 40 \times 120</math></p>  <p>4pcs</p>	<p><b>O</b> M8*25</p>  <p>4+1pcs</p>	<p><b>J</b> M8*25</p>  <p>4+1pcs</p>
<p><b>K</b></p>  <p>1pcs</p>	<p><b>L</b></p>  <p>25pcs</p>	<p><b>M</b></p>  <p>1set</p>		

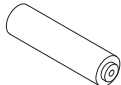

Step 1



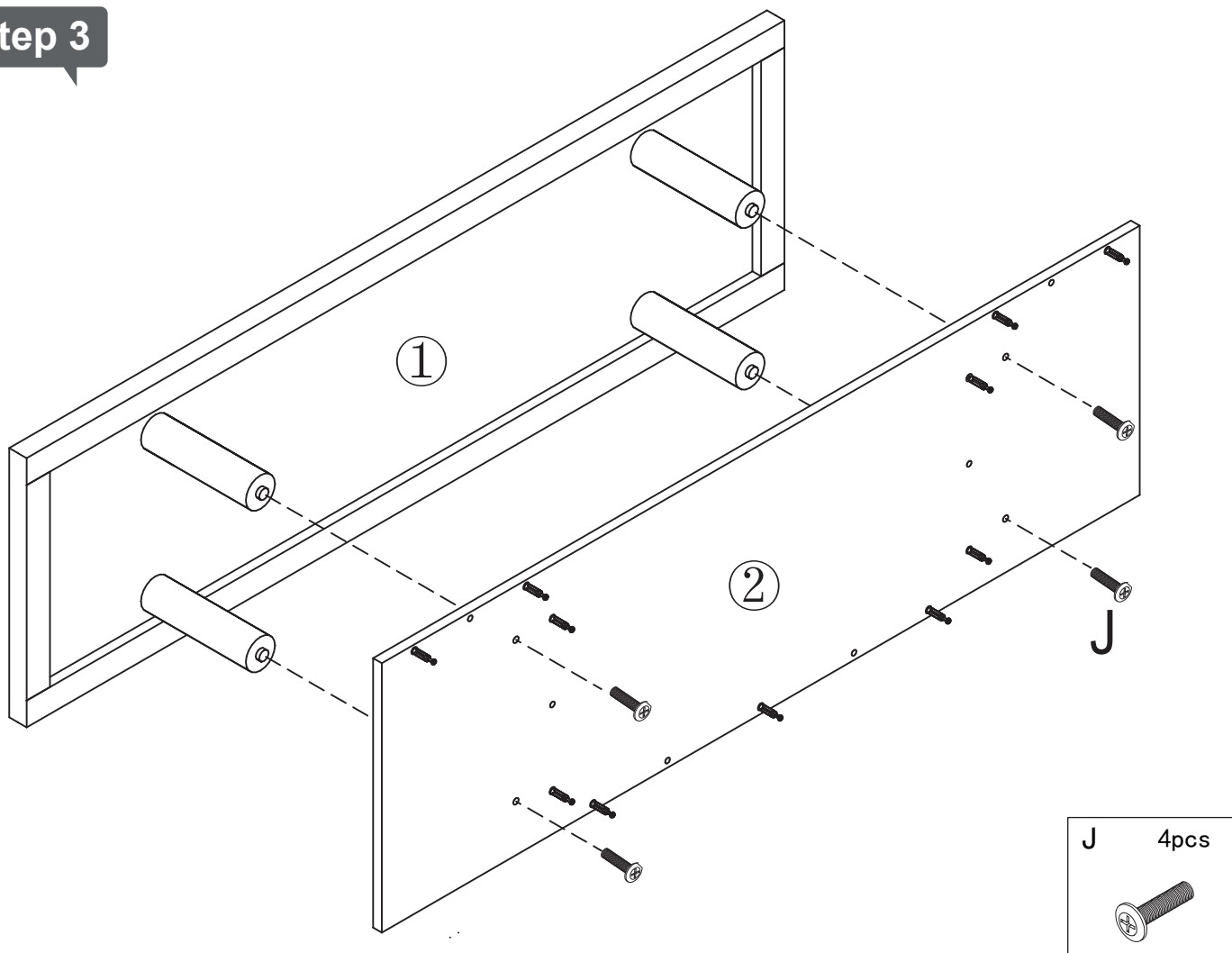
A	25pcs	D	4pcs	E	4pcs
					

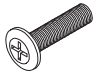
Step 2



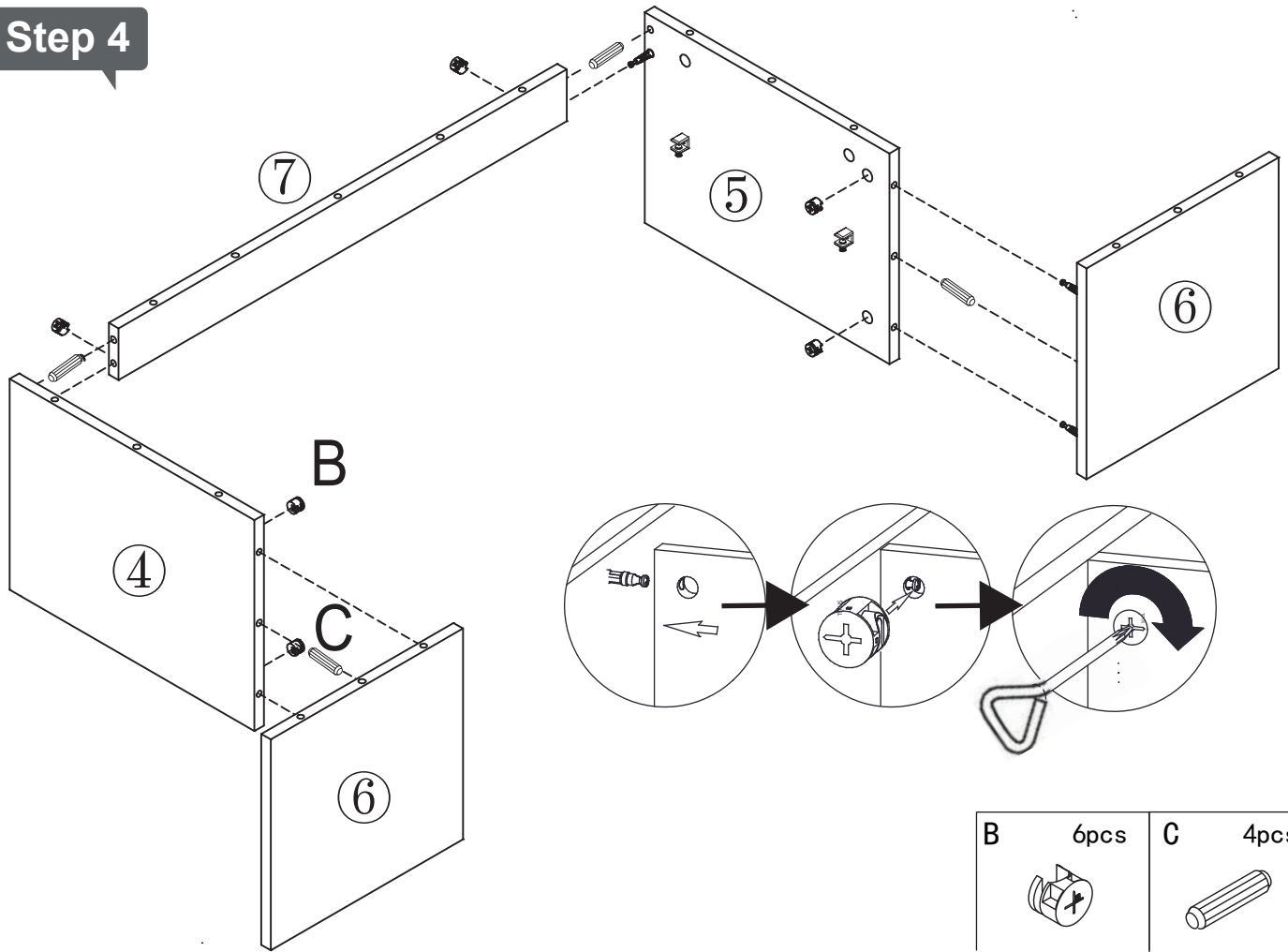
H	4pcs	O	4pcs
			


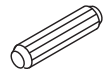
Step 3



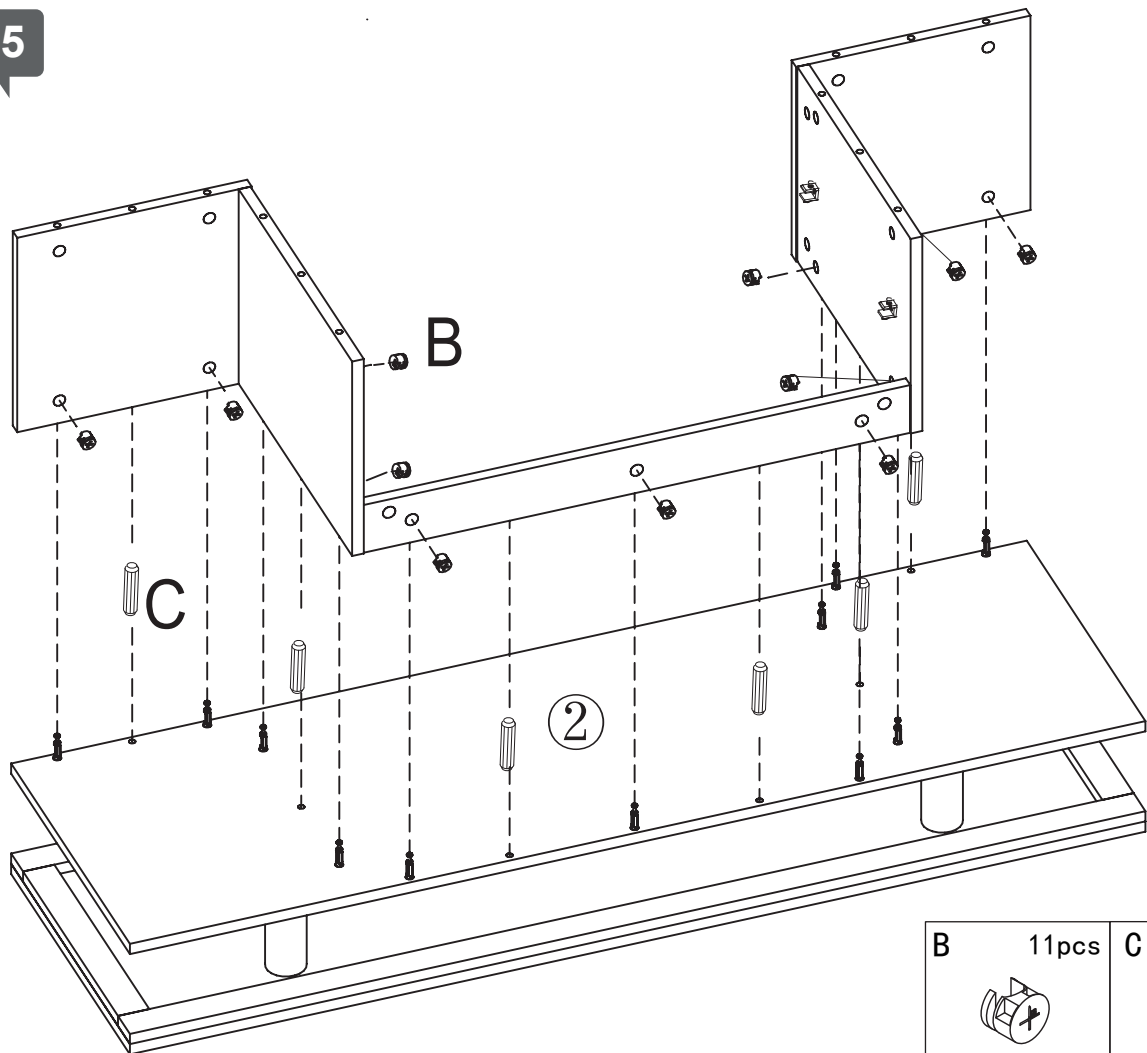
J	4pcs
	


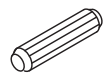
Step 4



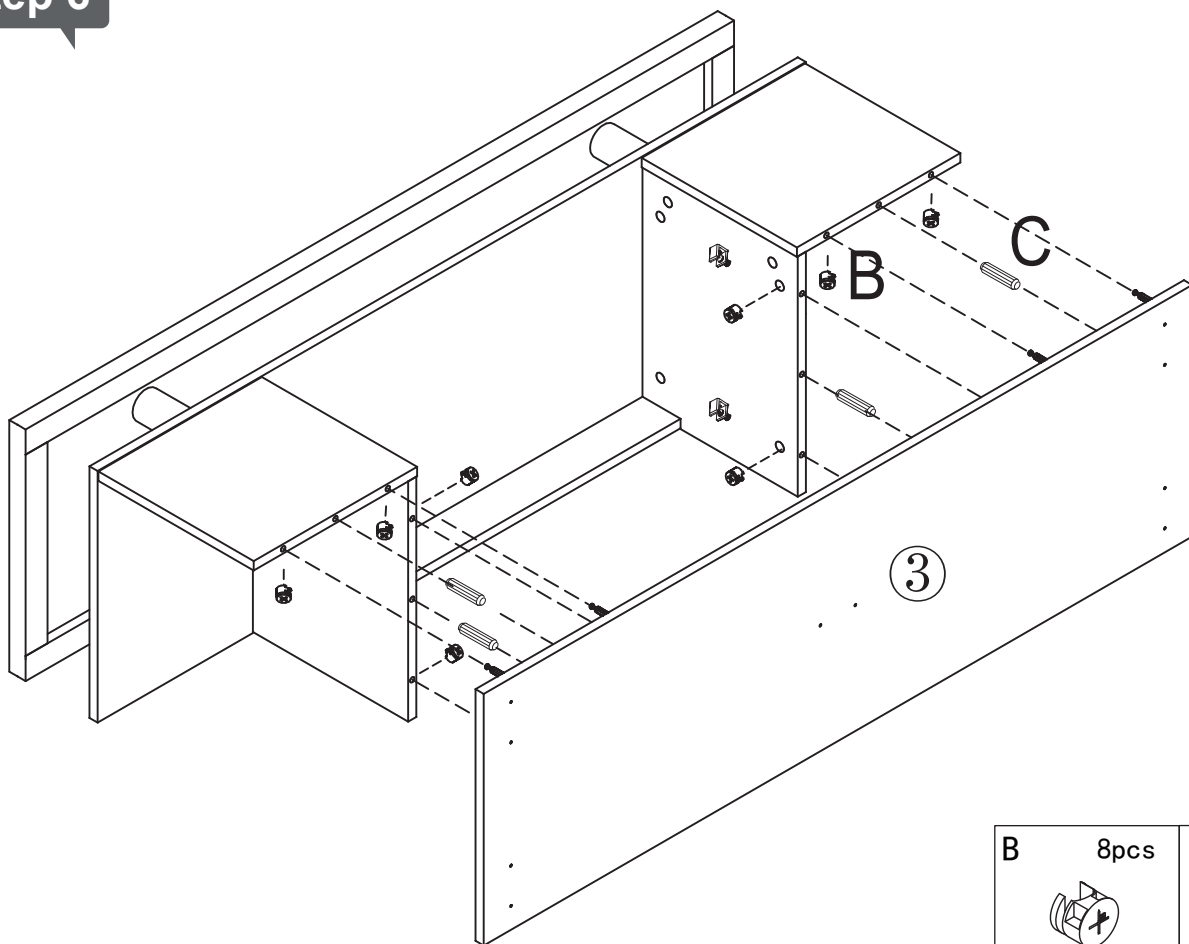
<b>B</b>	6pcs	<b>C</b>	4pcs
			


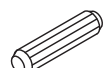
Step 5



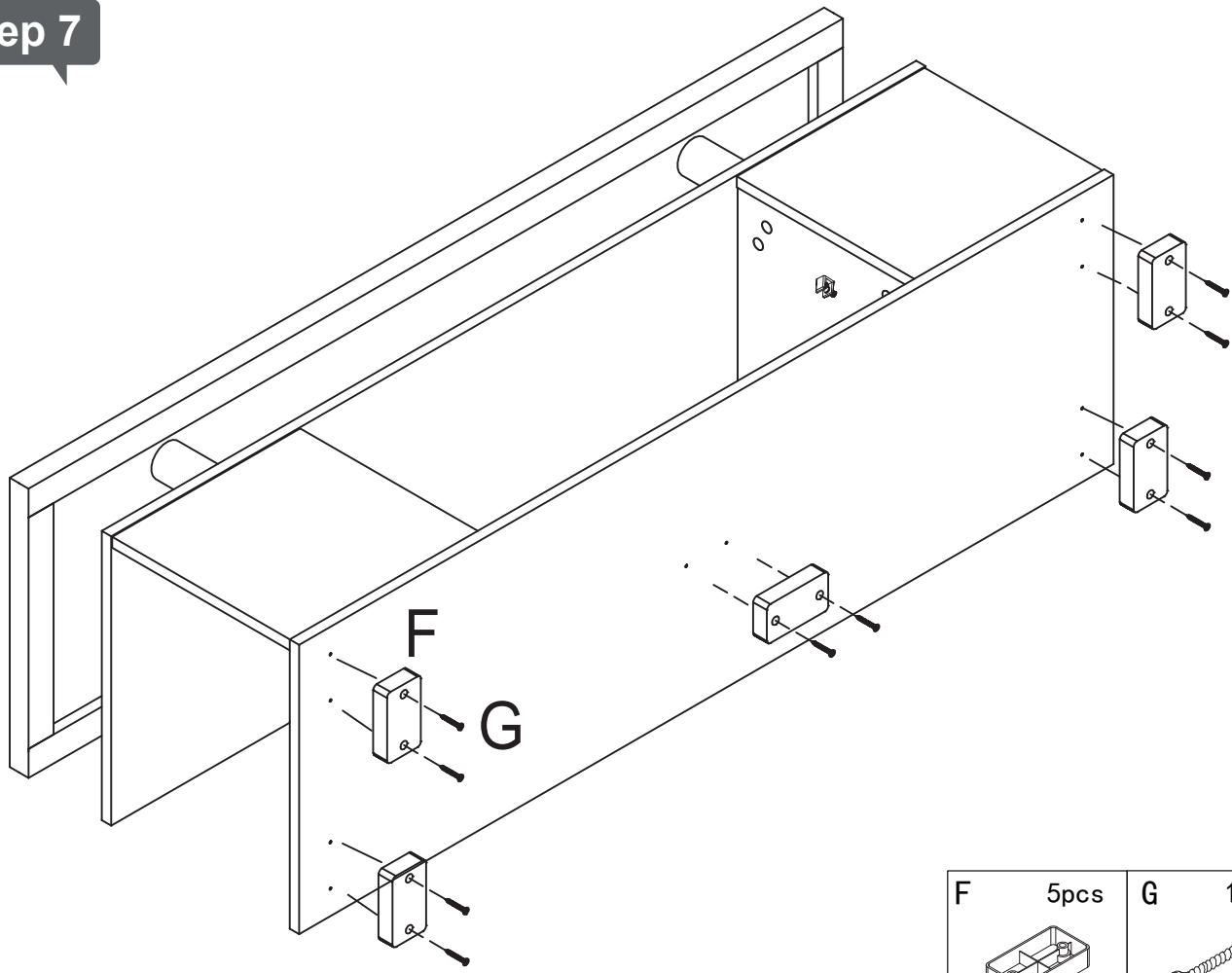
<b>B</b>	11pcs	<b>C</b>	6pcs
			

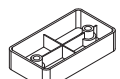

Step 6



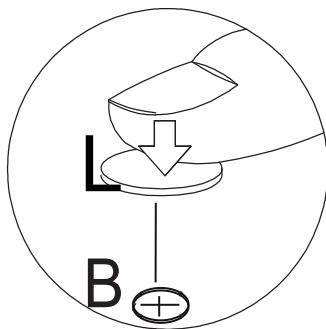
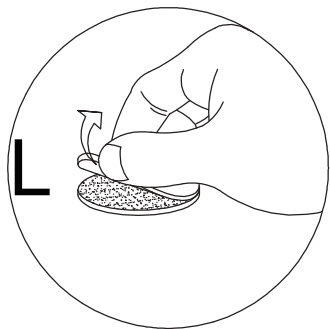
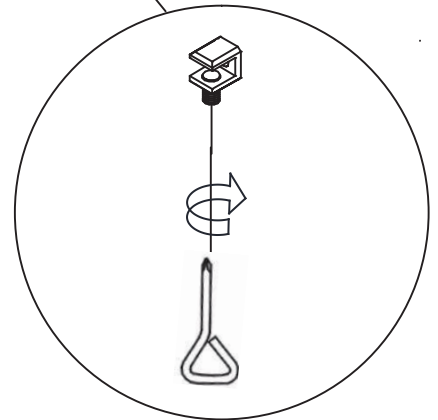
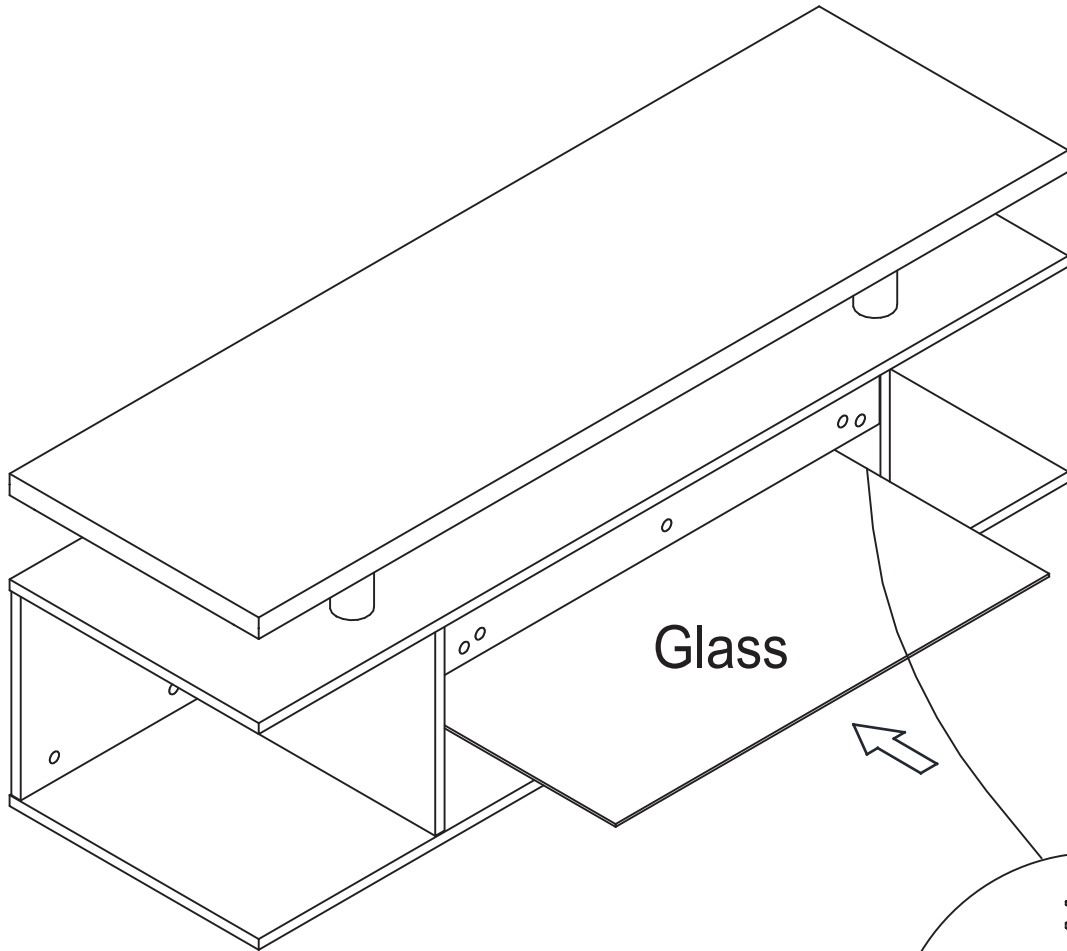
<b>B</b>	8pcs	<b>C</b>	4pcs
			

Step 7



<b>F</b>	5pcs	<b>G</b>	10pcs
			

Step 8

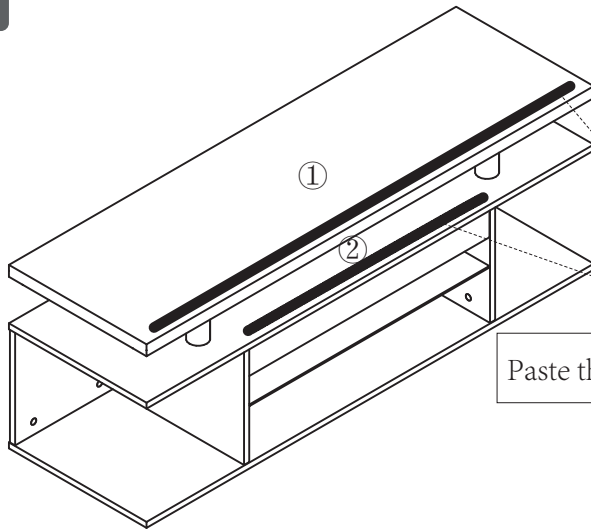


L 25pcs

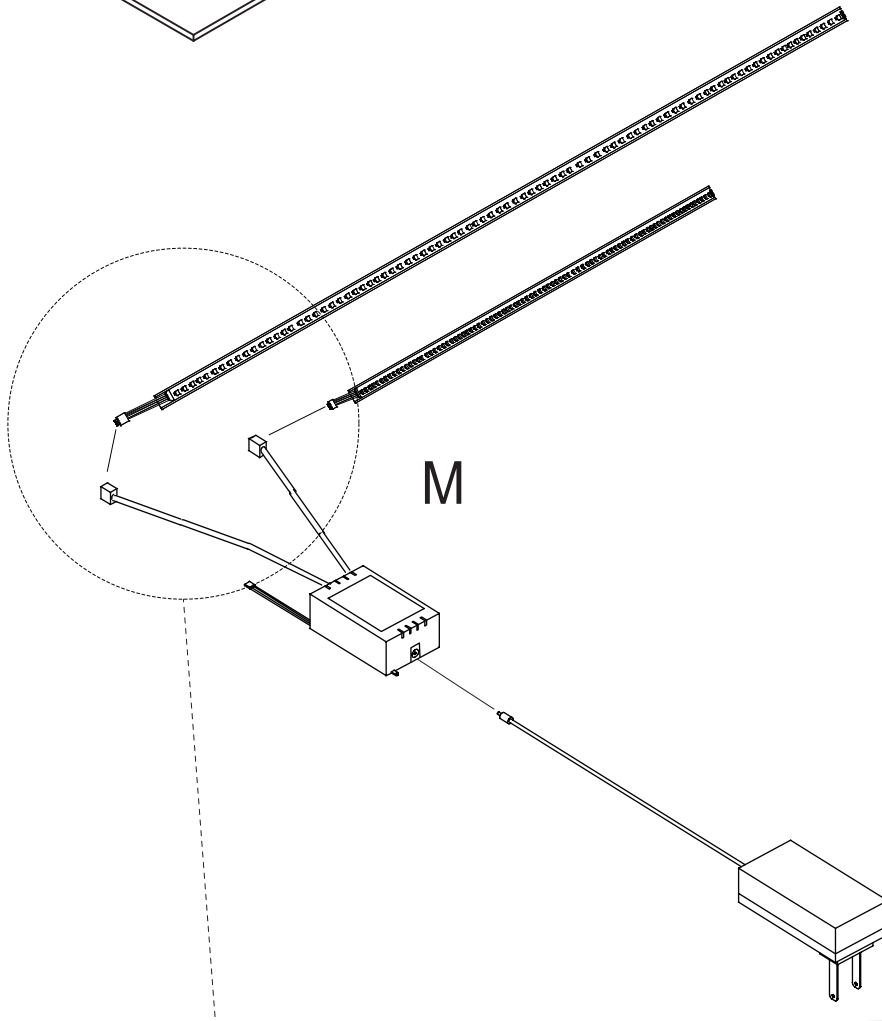




Step 9



Paste the LED light tape on the bottom of the plate(①、②)



Notice:

