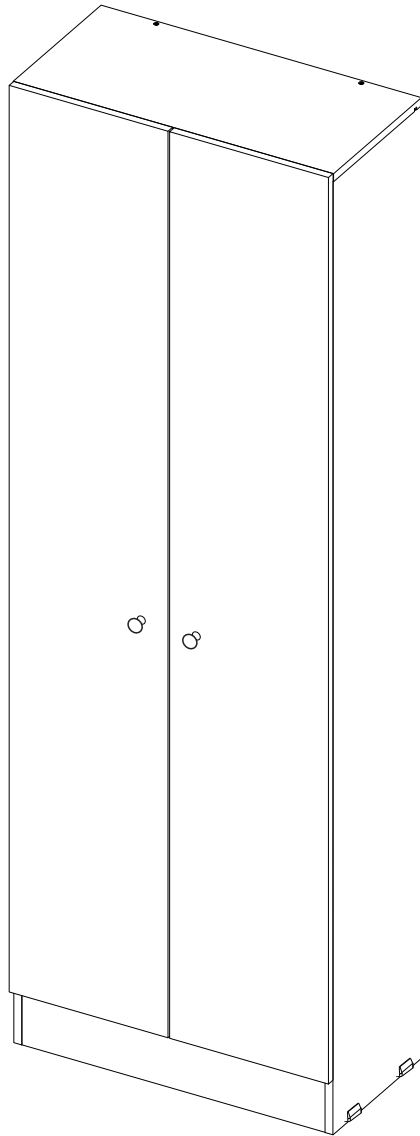


ASSEMBLY INSTRUCTIONS

INSTRUCCIONES DE ENSAMBLE



Height: 71,1 in Alto: 180,6 cm
Width: 23,62 in Ancho: 60 cm
Depth: 11,8 in Fondo: 30 cm

LOT N°

**IF ANY PARTS ARE BROKEN OR
MISSING PLEASE CONTACT US**

AT: 1-888-391-01-66 /

customerservicetuhome@rta.com.co

**OUR CUSTOMER SERVICE TEAM WILL PROVIDE
YOU HELP TO RESOLVE ANY ISSUES IMMEDIATELY**

**MULTISTORAGE CABINET
MUEBLE ALACENA MULTIUSOS**



IMPORTANT RECOMMENDATIONS

Do not paint the cabinet.

The cabinet **MUST** be used exclusively indoors, do not expose to direct sun.

Clean metallic hardware with a dry cloth.

Do **NOT** overload the cabinet (see suggested loads).

Do not hit or hammer the cabinet (just when indicated).

Clean with a slightly damp cloth, use gentle soaps.

Do not drag, lift and move between two people.

Avoid direct contact with water, fire or exposure to heat sources.

RECOMENDACIONES IMPORTANTES

No pintar el mueble.

El mueble debe ser usado únicamente en interiores, no exponer al sol directo.

Limpiar los herrajes metálicos con un paño seco.

NO sobrecargar el mueble (ver las cargas sugeridas).

No golpear ni martillar el mueble (solo cuando se indique).

Limpiar con un paño ligeramente húmedo, usar jabones suaves.

No arrastre el mueble, levántelo entre dos personas.

Evite el contacto directo con el agua, el fuego o la exposición a fuentes de calor.



WARNING

Never allow children to climb or manipulate the cabinet, furniture tip over can cause serious injuries or death.



ADVERTENCIA

Nunca permita que los niños escalen o manipulen el mueble, la caída de este puede provocar lesiones graves o la muerte.

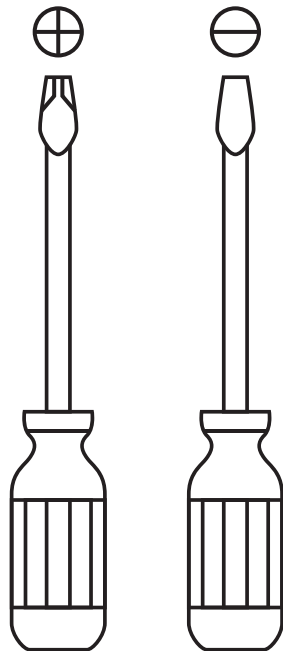
INDEX

| | |
|-------------------------------|------|
| Assembly Hardware | 4 |
| Assembly Parts | 5 |
| Suggested Loads..... | 6 |
| Assembly Recommendations..... | 6 |
| Assembly Steps | 7-14 |
| Warranty..... | 15 |

ÍNDICE

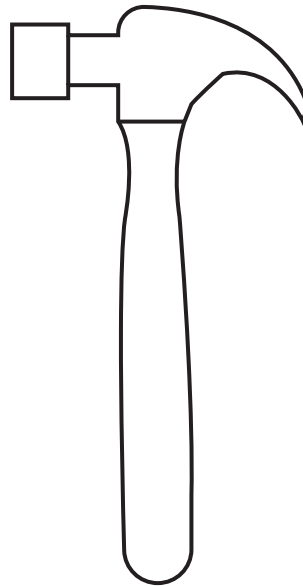
| | |
|----------------------------------|------|
| Herrajes para Armado..... | 4 |
| Piezas de Armado..... | 5 |
| Cargas Sugeridas..... | 6 |
| Recomendaciones de Ensamble..... | 6 |
| Pasos de Armado..... | 7-14 |
| Garantía | 15 |

REQUIRED TOOLS*



*Not included, and not shown actual size.

HERRAMIENTAS NECESARIAS*



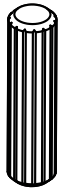
*No incluidas y no se muestran en tamaño real.

ASSEMBLY HARDWARE

HERRAJES PARA ARMADO

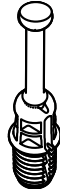
Please check that the hardware content is correct. If any item is missing, please call to our customer service line.

Compruebe que el contenido de los herrajes sea el correcto. En caso de que falte alguna pieza, por favor llame a nuestra línea de atención al cliente.



x37

Wood Dowel
Tarugo



x16

Spreading Bolt
Perno Minifix



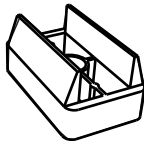
x16

Minifix Cams
Minifix



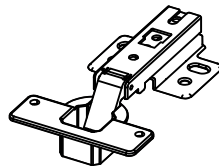
x20

Cover Caps
Tapa Adhesiva
Minifix



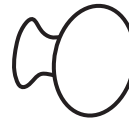
x4

U Slipper
Deslizador en U



x6

Full Overlay Hinge
(Screws Included)
Bisagra Parche
(Incluye tornillos)



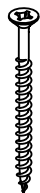
x2

Round Button
Boton Zamak
Redondo



x2

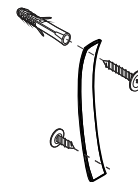
Handle Screw
Tornillo Manija



x2
2" Drywall Screw
Tornillo de
Ensamble 2"



x4
Flat Head Screw
Tornillo Lámina



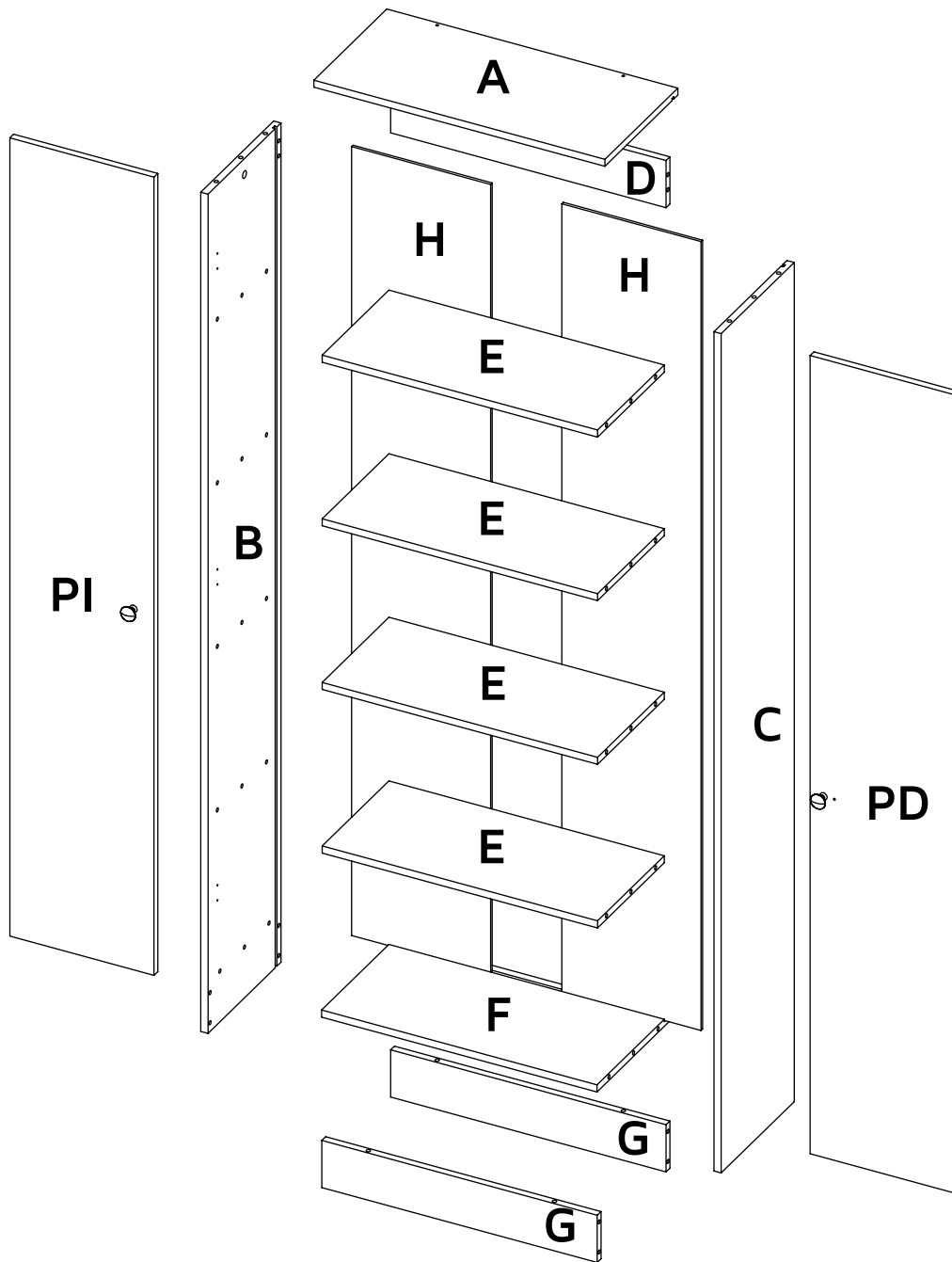
x2
Wall Fixing Kit
(Screws Included)
Kit Anti vuelco

Hardware items are NOT shown actual size.

Los herrajes no se muestran en el tamaño real.

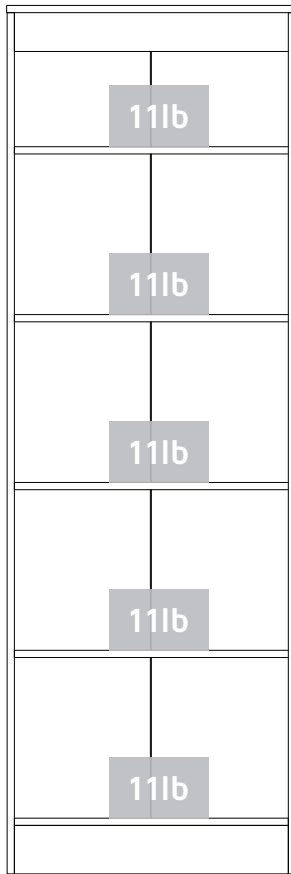
ASSEMBLY PARTS

PIEZAS DE ARMADO



| | |
|--------|---------|
| A - x1 | F - x1 |
| B - x1 | G - x2 |
| C - x1 | H - x2 |
| D - x1 | PI - x1 |
| E - x4 | PD - x1 |

MAX SUGGESTED LOADS



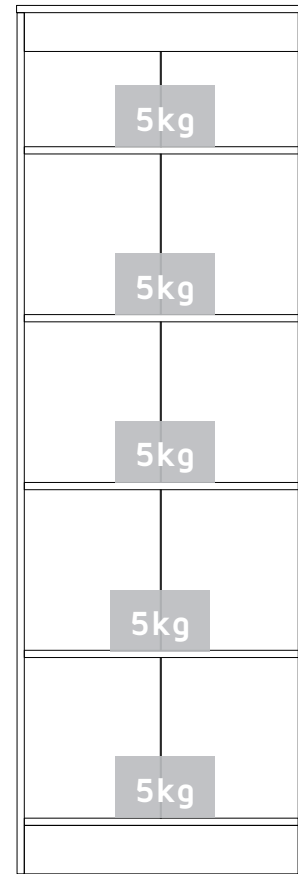
ASSEMBLY RECOMMENDATIONS

Two people are recommended to assemble the product.

Assemble the cabinet on a flat, smooth surface, preferably on a carpeted floor or the carton box of the product.

Carefully read the assembly instructions and identify every wood and hardware part before start assembling the cabinet.

CARGAS MÁXIMAS SUGERIDAS



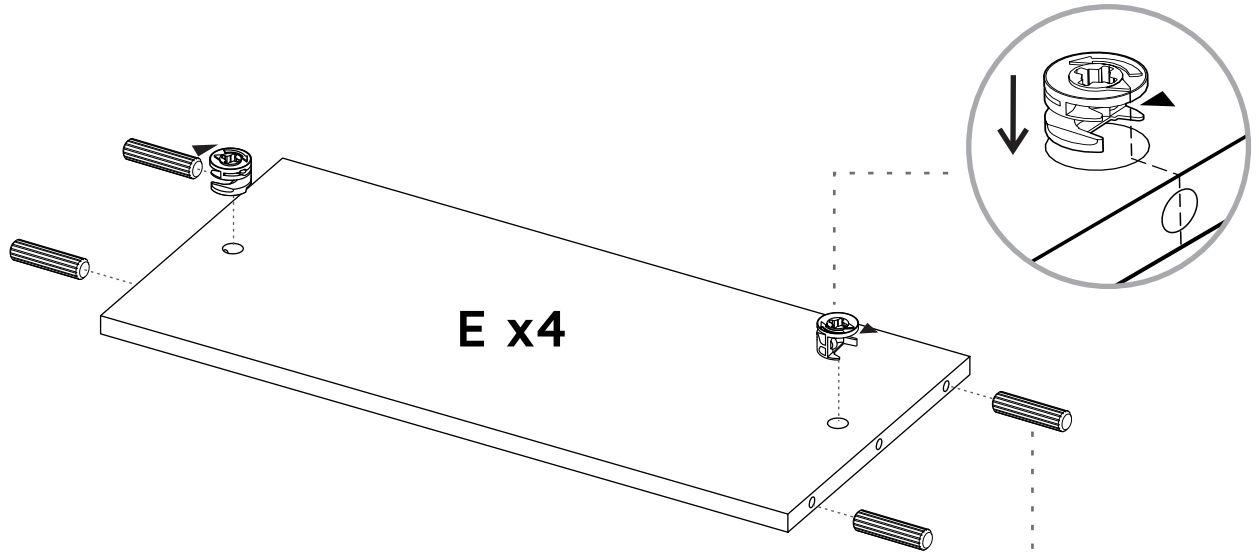
RECOMENDACIONES DE ENSAMBLE

Ensamble el mueble entre dos personas.

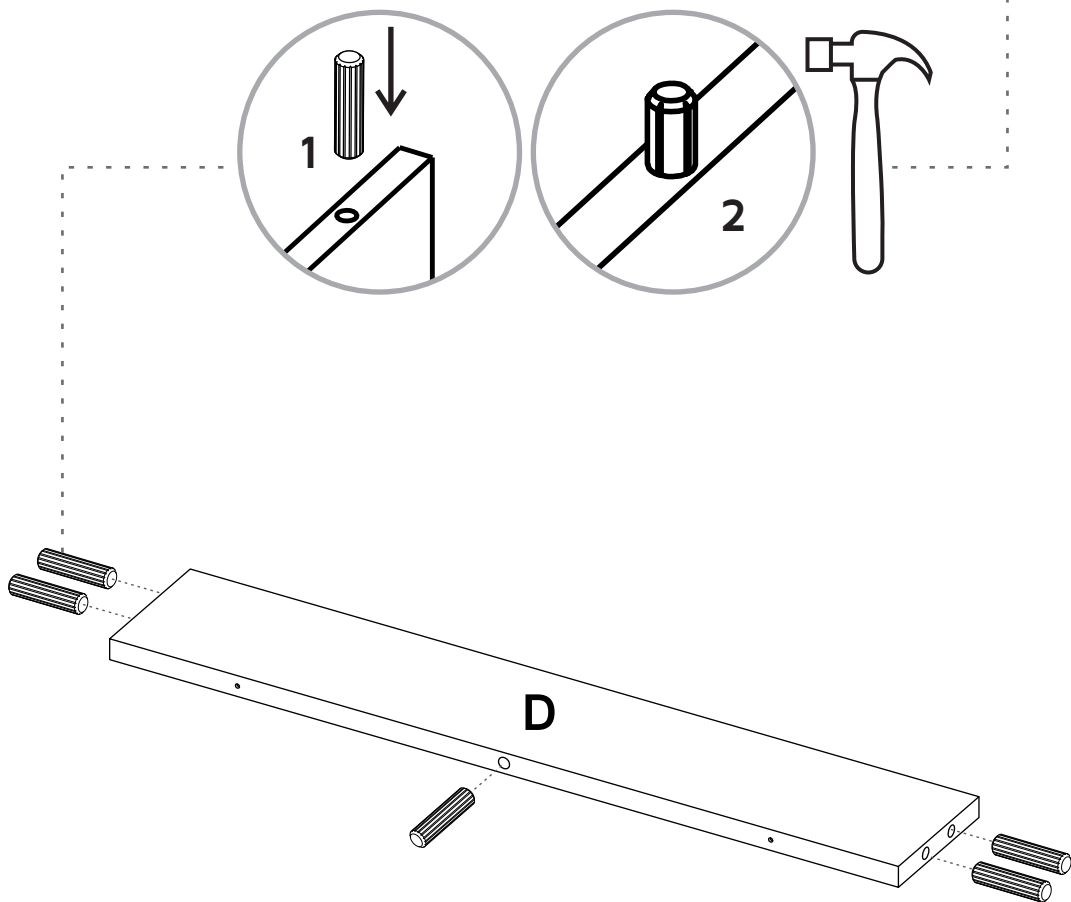
Ensamble el mueble sobre una superficie plana y lisa, preferiblemente sobre un tapete o el cartón de la caja

Lea cuidadosamente las instrucciones e identifique todas las piezas y herrajes antes de empezar a armar el mueble.

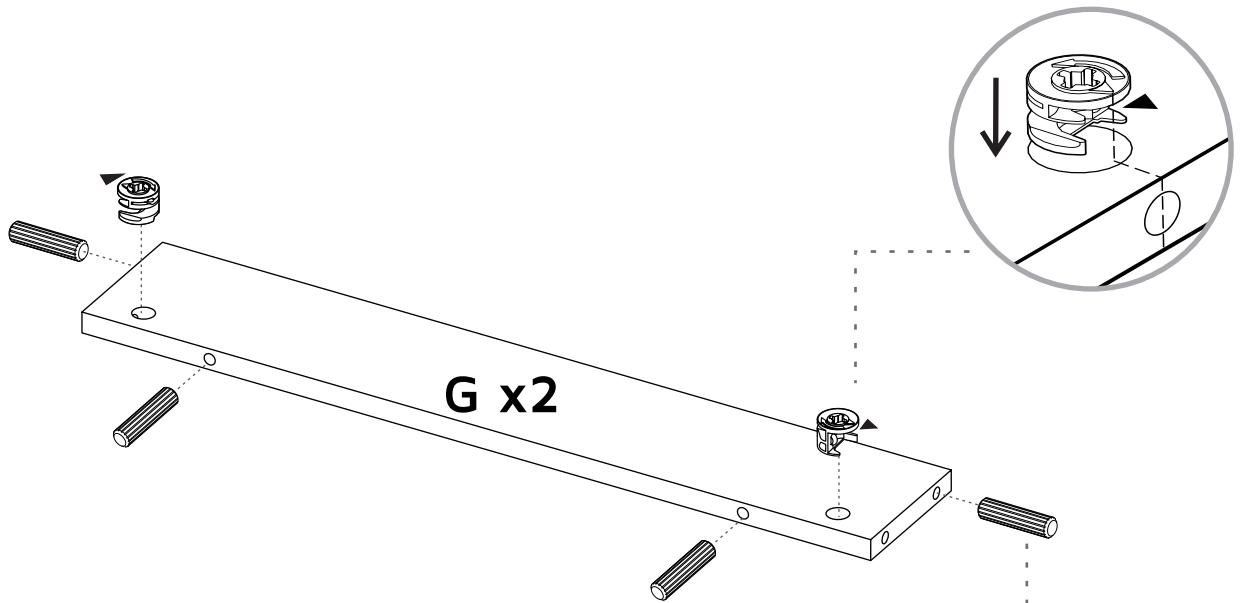
1



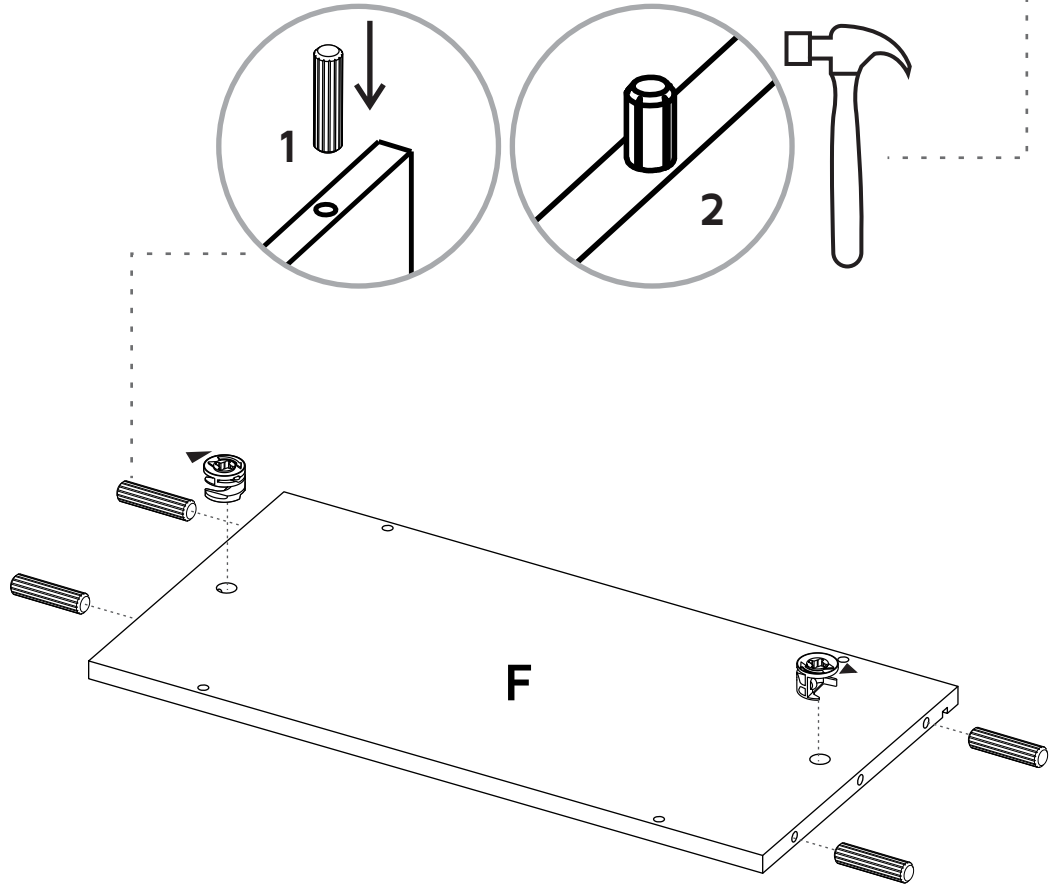
2



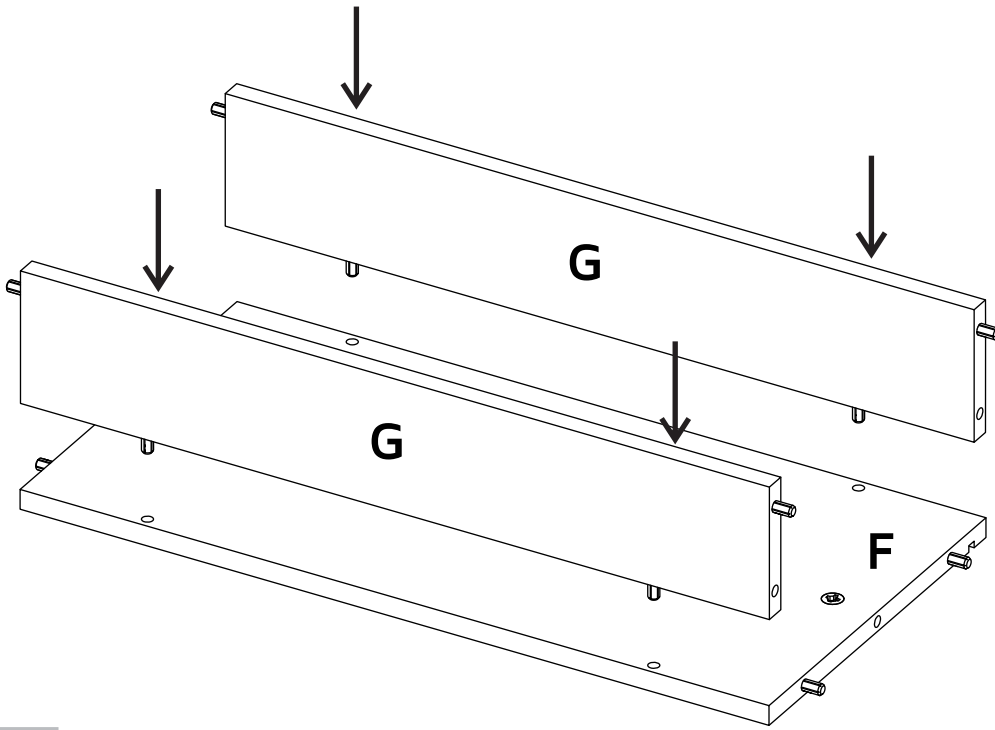
3



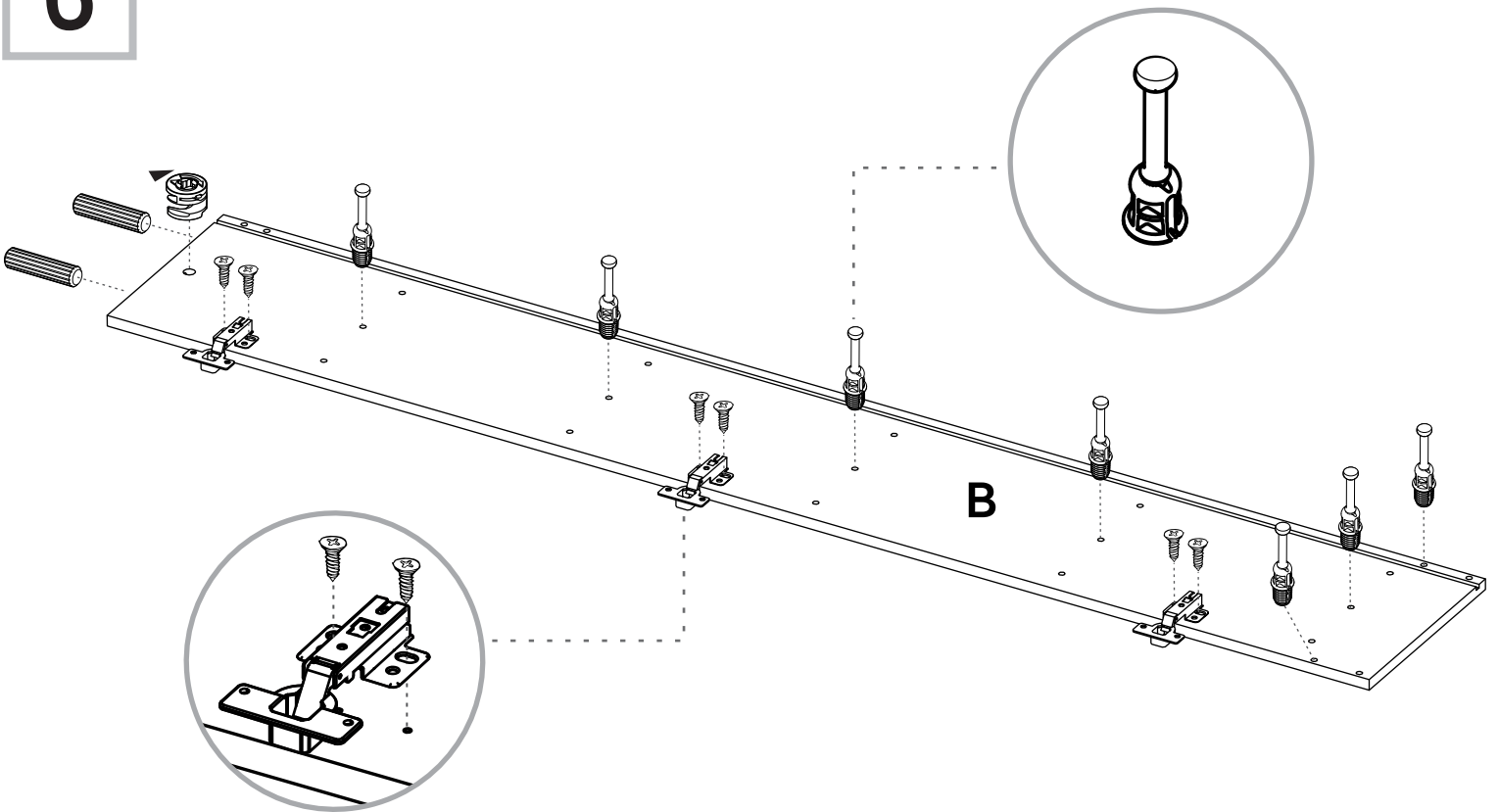
4



5

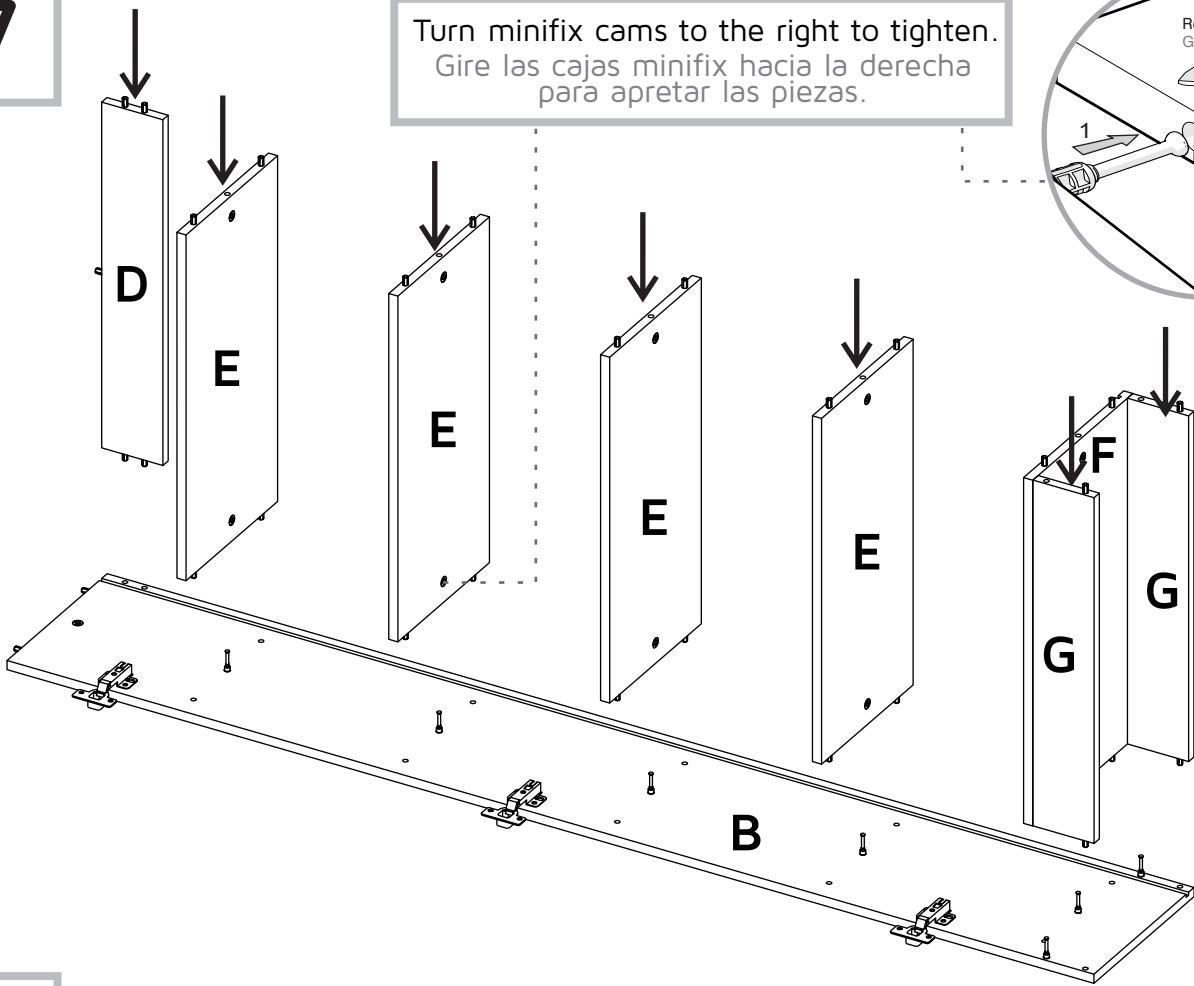
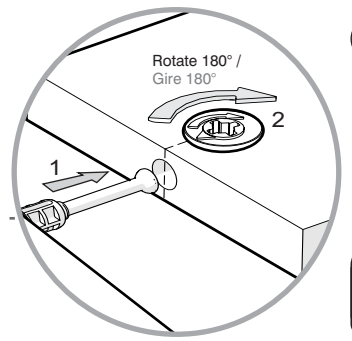


6

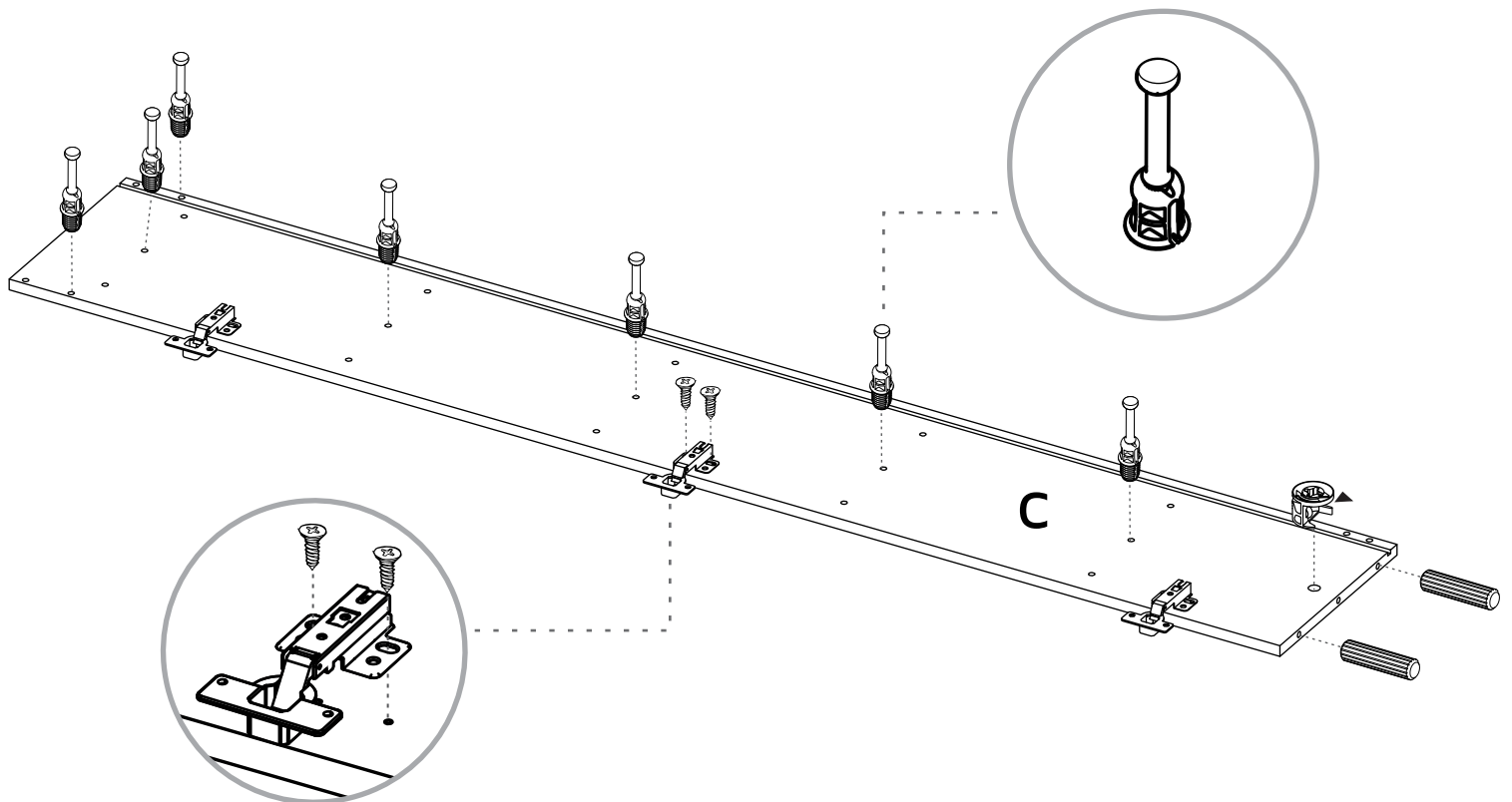


7

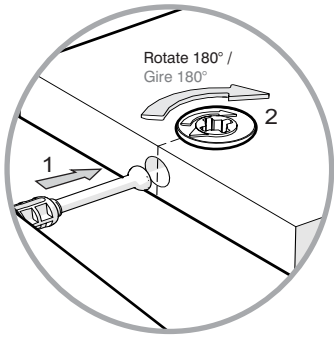
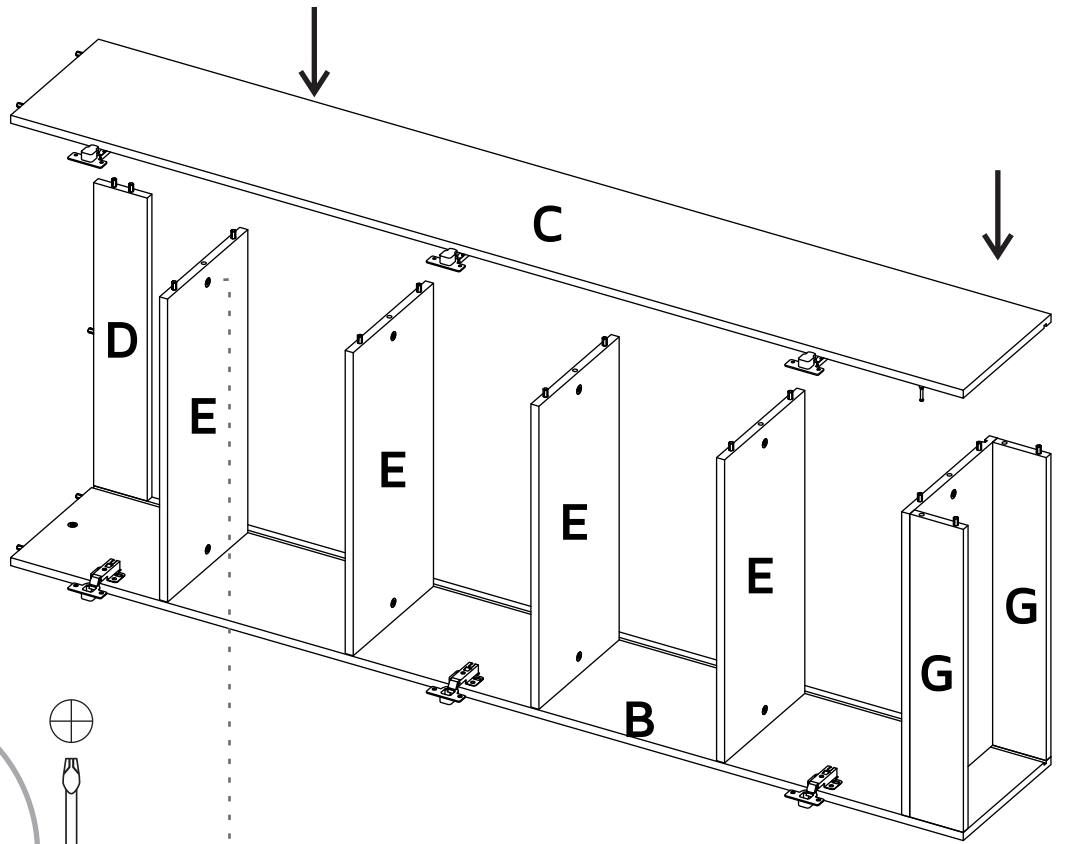
Turn minifix cams to the right to tighten.
Gire las cajas minifix hacia la derecha
para apretar las piezas.



8

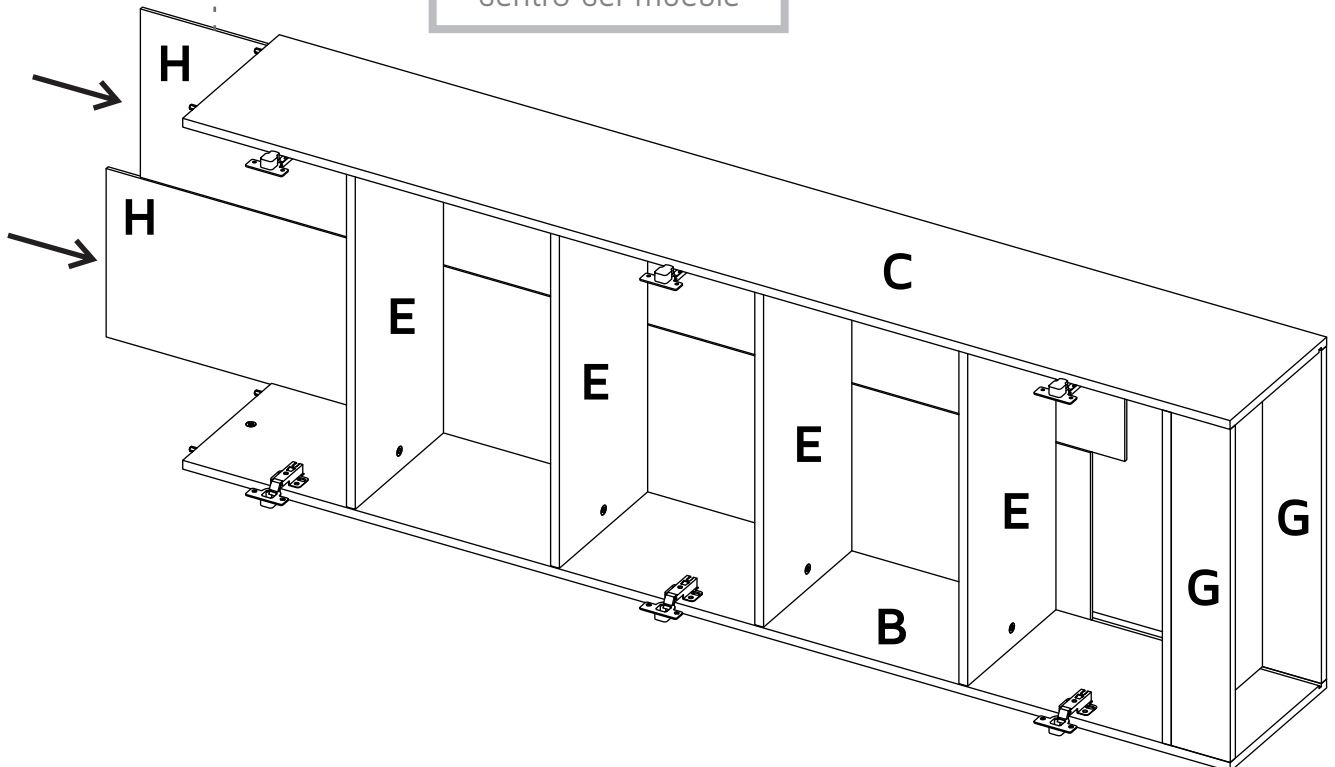


9

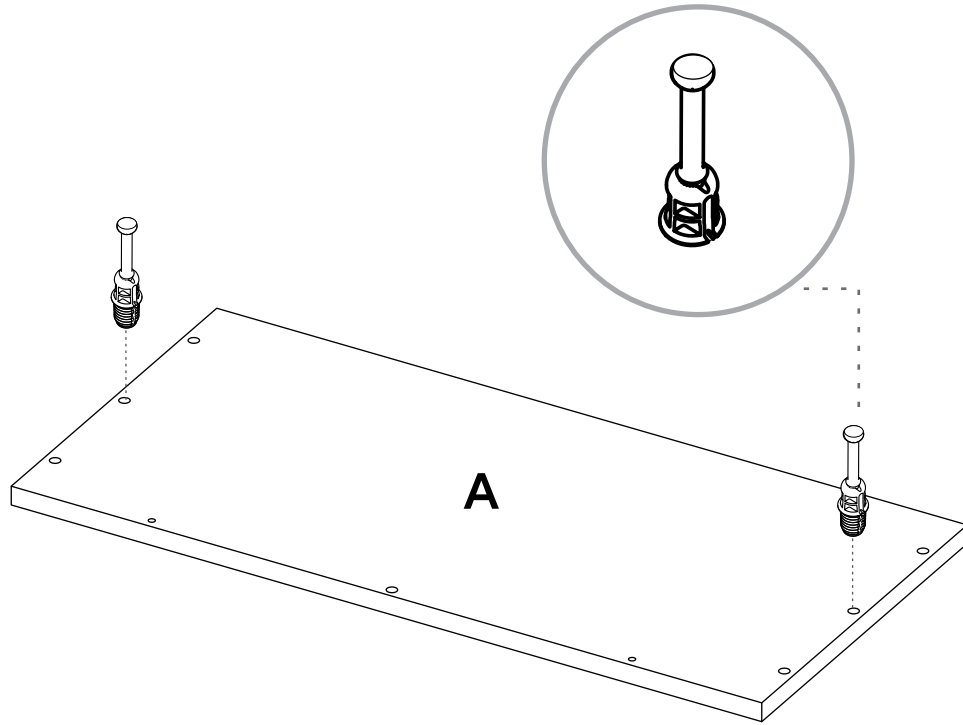


10

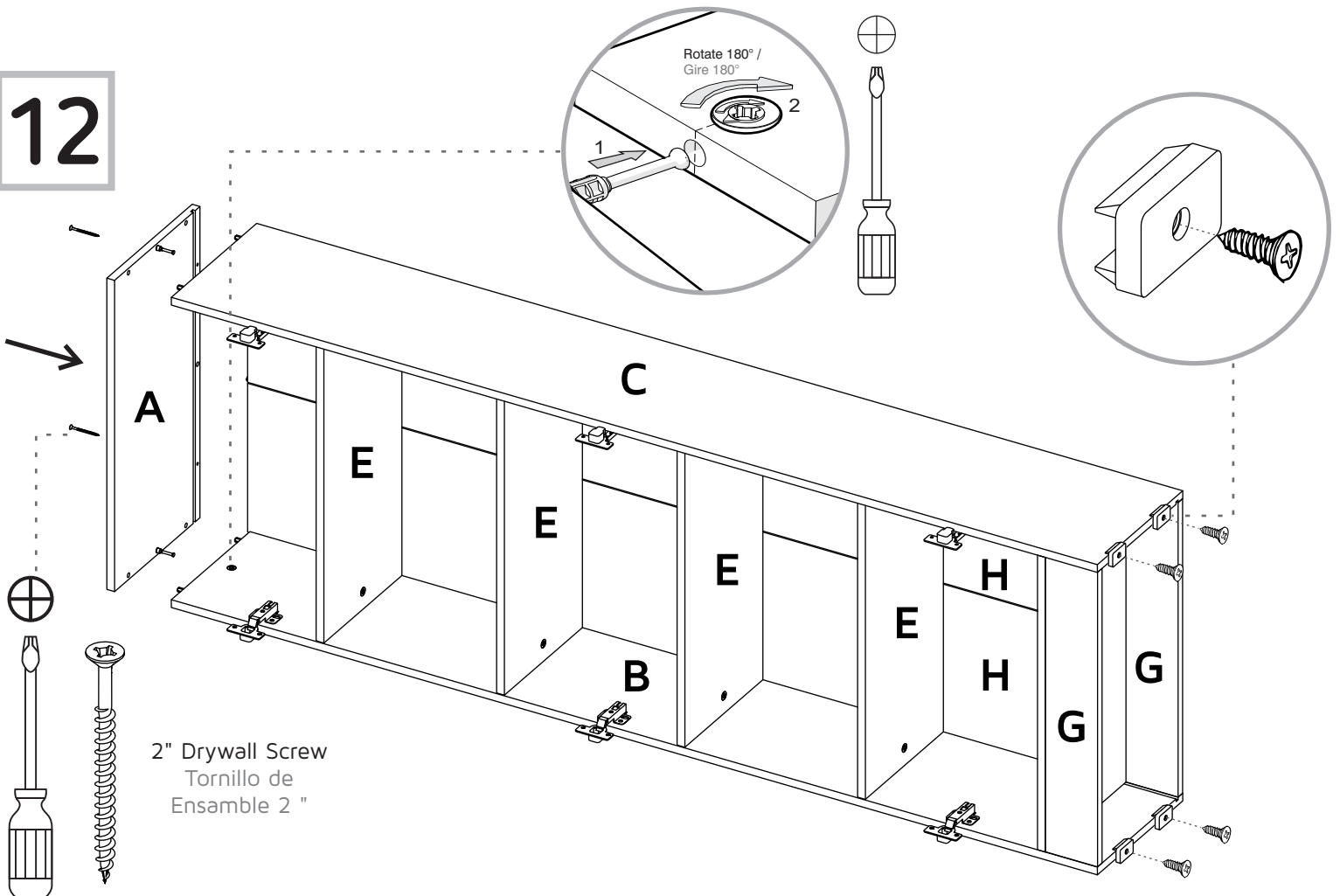
Slide the back panels inside the cabinet
Deslice los fondos dentro del mueble



11



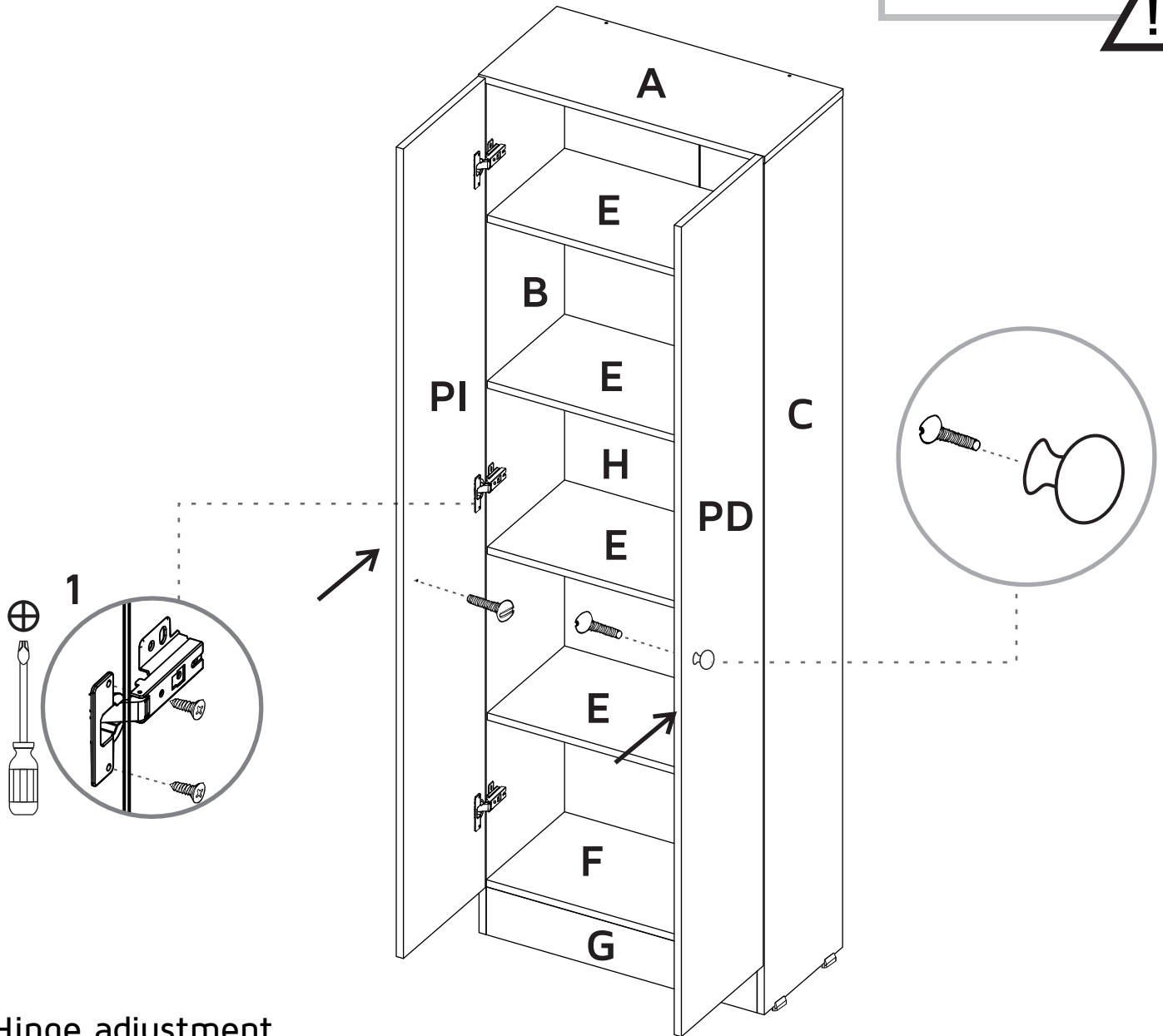
12



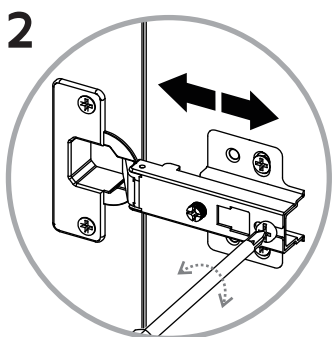
13

Door Installation Instalación de las Puertas

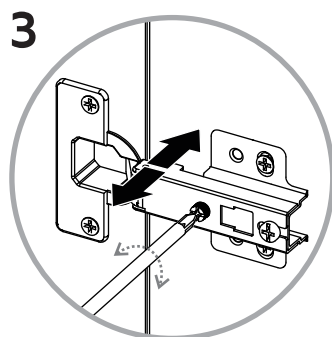
Be careful turning
over the cabinet.
Tenga cuidado al
voltear el mueble.



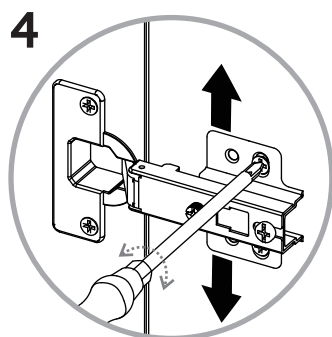
Hinge adjustment Ajuste de las bisagras



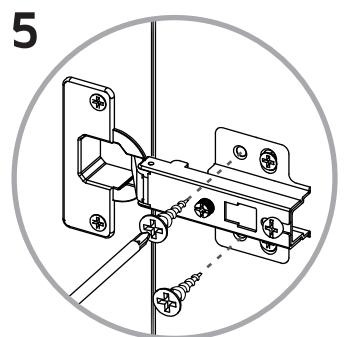
Depth adjustment
Ajuste de profundidad



Side adjustment
Ajuste lateral



Height adjustment
Ajuste de altura



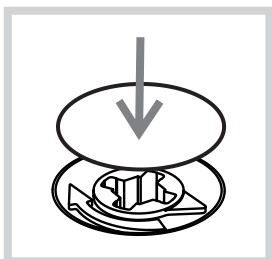
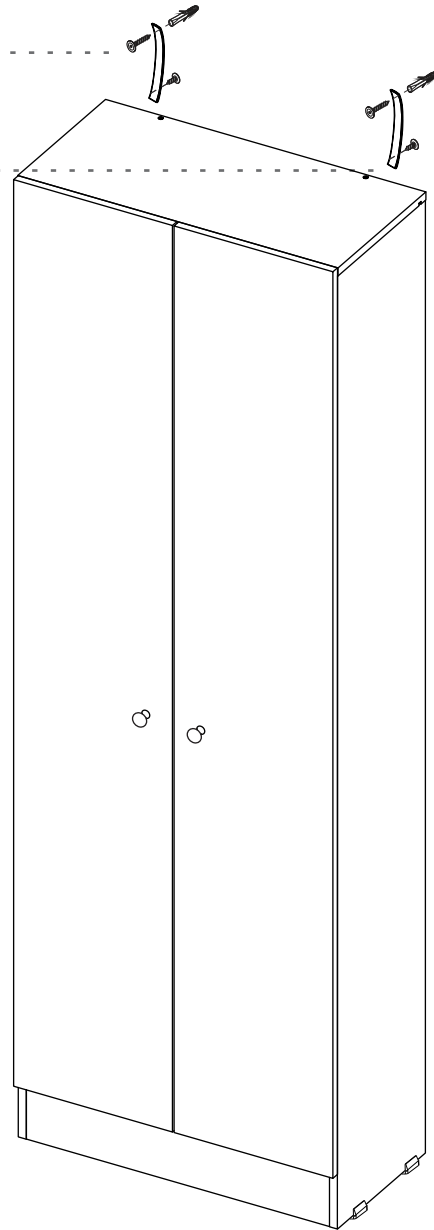
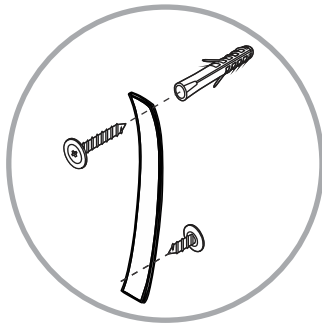
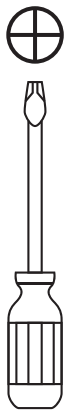
Front screws adjustment
Ajuste tornillos frontales

14



For the user safety, it is recommended to anchor the furniture to the wall.

Por la seguridad del usuario se recomienda anclar el mueble a la pared.



After you finish the adjustment of the cams, cover them with the cover caps.

Después de ajustar todas las cajas minifix, cúbralas con las tapas adhesivas.

A

After you finish assembling the cabinet, take off the adhesive letters.

Al terminar de armar, desprenda las letras adhesivas.

WARRANTY POLICY

PÓLIZA DE GARANTÍA

Furniture has a 3 year warranty coverage in wooden parts and 1 year warranty coverage in hardware pieces since its manufacturing date, which you can see in the lot number printed on the product box and the assembly instructions leaflet.

Warranty covers materials and workmanship imperfections which impair the assembly or correct functioning of the cabinet.

This warranty is not valid if the defects or imperfections are caused by the incorrect following of the assembly instructions, warnings and recommendations, misuse, intentional damage, fire or flood, or after modifications or any kind of alteration, or repaired by someone not authorized, when it's been assembled 3 months after the date of purchase. These defects MUST be reported before the warranty coverage period ends. Once the product has been assembled, the company will not be responsible for defective and/or damaged parts.

This warranty is ONLY valid for the ORIGINAL PURCHASER, it doesn't apply if the product has been resold, rented, etc.

Furniture will take no liability for incidental or consequential damages caused to or by the product (This may not apply in your state).

To make this warranty valid you must write to our customer service email describing the product defect, lot number and submitting your sales receipt or proof of purchase, or contact us at our customer service line. Replaced parts will be under the product's original warranty coverage period. Damaged parts will become property of the company.

There are no other warranties applicable to this product.

**IF ANY PARTS ARE BROKEN OR
MISSING PLEASE CONTACT US**
AT: 1-888-391-01-66 /
customerservicetuhome@rta.com.co
**OUR CUSTOMER SERVICE TEAM WILL PROVIDE
YOU HELP TO RESOLVE ANY ISSUES IMMEDIATELY**