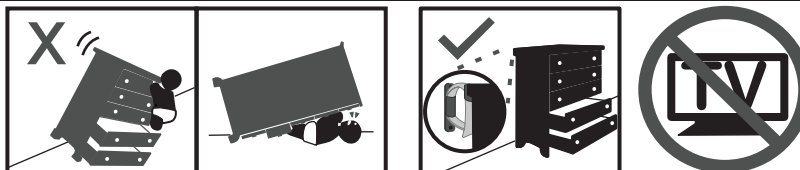


ASSEMBLY INSTRUCTIONS

DRESSER



⚠ WARNING



Children have died from furniture tip over. To reduce the risk of tip over:

- ALWAYS secure this furniture to the wall using an anti-tip device.
- NEVER allow children to stand, climb, or hang on drawers, doors or shelves.
- Do not defeat or remove the drawer interlock system.
- Place heaviest items in the lowest drawers.
- NEVER put a TV on this furniture.

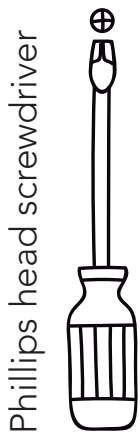
To ensure the safety of those using this cabinet, it is crucial to properly secure it to the wall using a tip-over device. This product includes the necessary items for fixing the furniture to the wall. However, it is important to note that incorrect installation or failure to use the tip-over device can result in serious injury or even death.

For this reason, we highly recommend that a professional installer handle the installation of the cabinet to the wall.

Index

What will you need?	2
Where should you start?	3
What's in the hardware bag?	4-5
How do the dowels and Minifix system work? (We also explain what they are)	6
Let's start assembling!	7
How much weight does your cabinet resist?	20
Our last recommendations for taking care of your cabinet	21

What will you need?

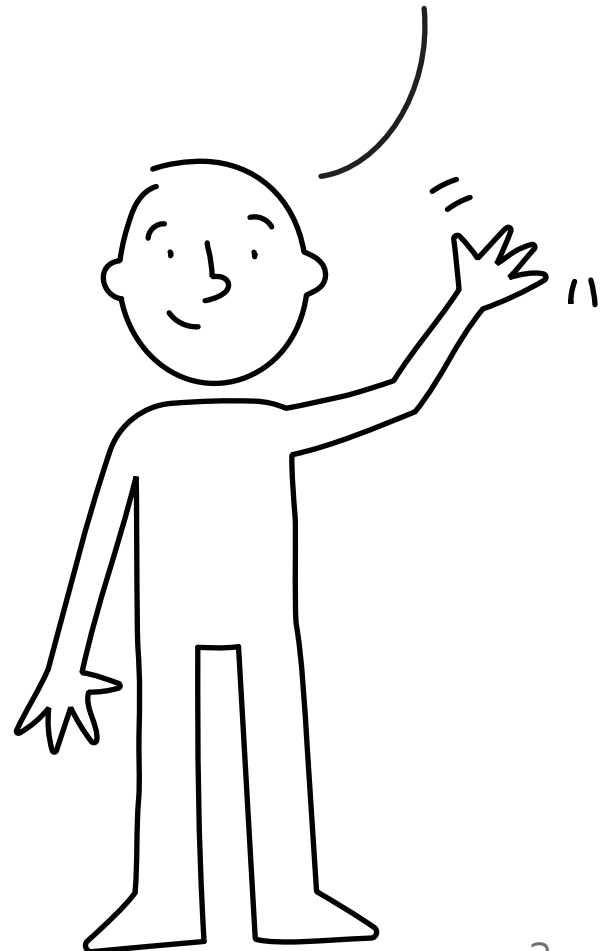


A flat, smooth surface. You can use the cardboard of the box or a rug.



An electric screwdriver isn't necessary, but it can make the work much easier :)

Hi! my name is Armando, and I'll be with you while you assemble this cabinet.



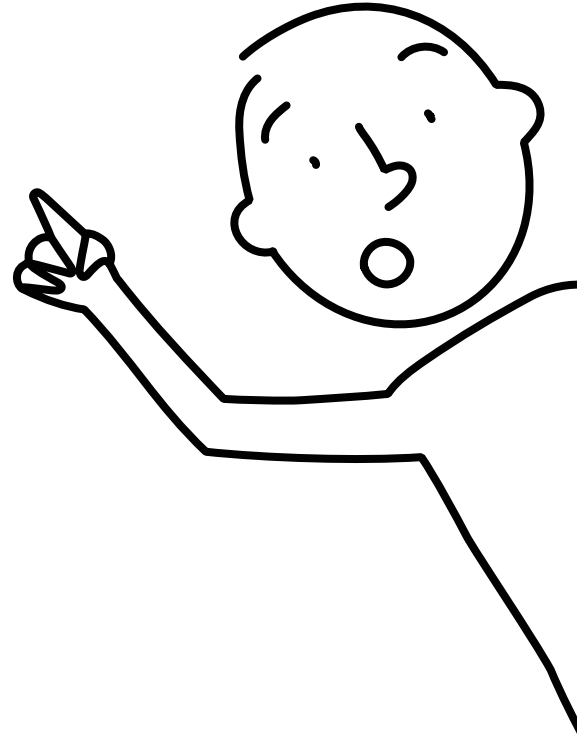
Where should you start?

This is so IMPORTANT!

Over the next few pages is the panel and hardware content for this cabinet.

Please make sure that the quantity of each one is correct, and that everything is in good shape.


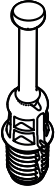





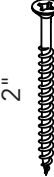
(When the cabinet is already assembled there's no warranty for this)


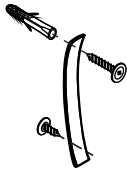
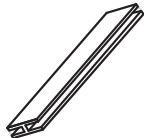
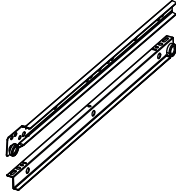





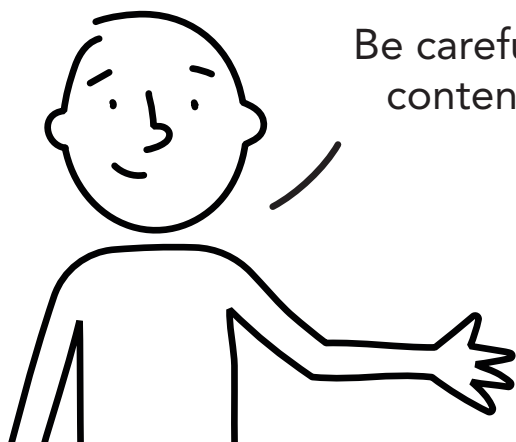
Panel quantity

A - x1	B - x1	C - x1	D - x1
E - x3	F - x3	G - x3	H - x3
I - x3	J - x3	K - x2	L - x1

What's in the hardware bag?

			
Wood dowel x14	Spreading bolt x31	Minifix cam x31	Cover caps x30
			
Cover caps x5	Handle x6	Flat head screw x20	Drywall screw x12

 <p>Corners Bracket x2</p>	 <p>Wall fixing Kit + Screws x2</p>	 <p>H Profile x1</p>	 <p>Drawer slides + screws x3</p>
 <p>Nail x30</p>	 <p>Steel egs x4</p>	 <p>Flat head screw x6</p>	

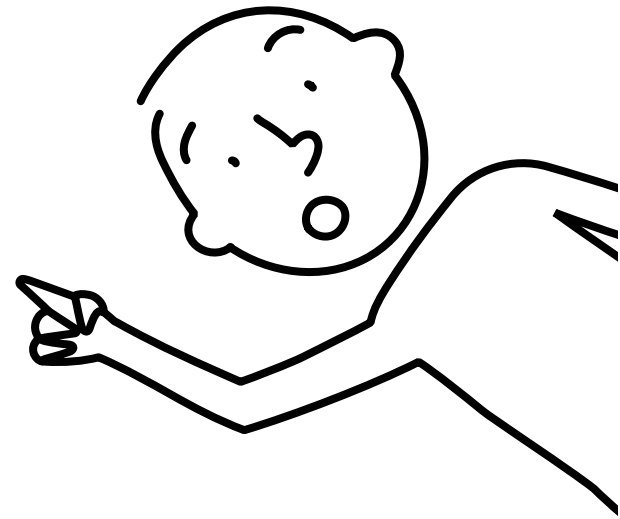


Be careful!, try not to lose anything from this bag, its content is necessary for assembling your cabinet.

How do the dowels and Minifix system work?

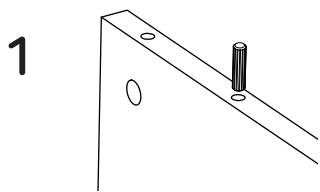
this is so important too!

Everytime you're using one of these connectors during the assembly, you should follow these same steps.

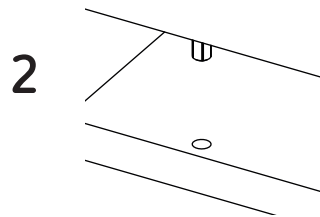


Wood dowels

They are little wooden cylinders.



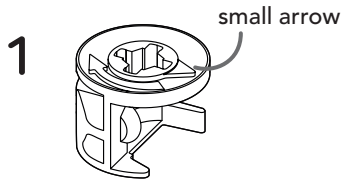
Put in the dowel inside the indicated hole and softly hit it until it's fully inside.



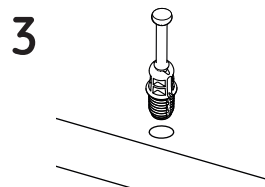
When joining two panels together, don't forget to gently hit the panels to adjust the joint.

Minifix system

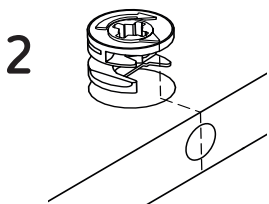
It's a joint compound of two parts: a spreading bolt and a Minifix cam.



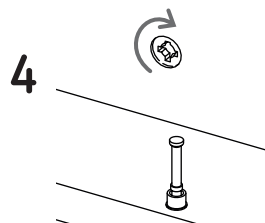
This is a Minifix cam. It has a little arrow on its upper surface.



This is a spreading bolt. You should put it with the black plastic part facing down.



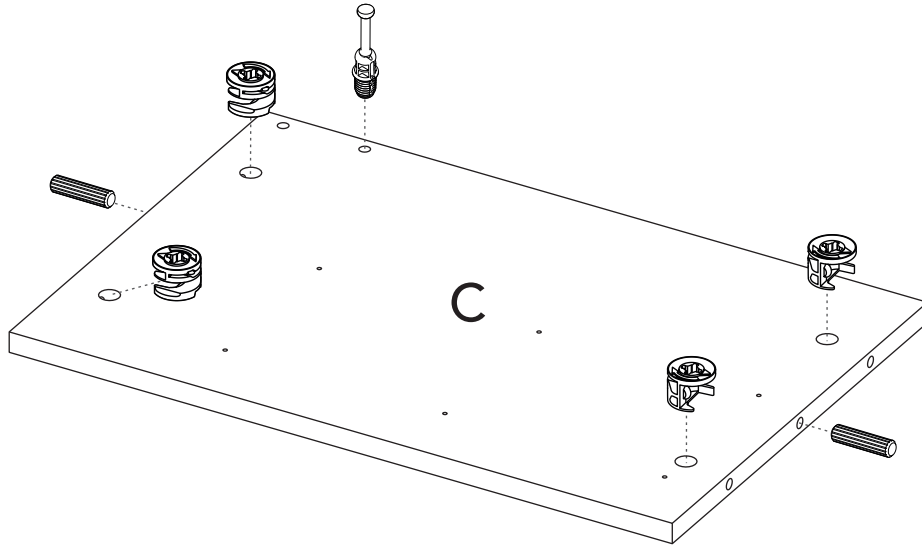
You should insert these cams with the little arrow pointing towards the drilling on the panel's edge (shown on the left).



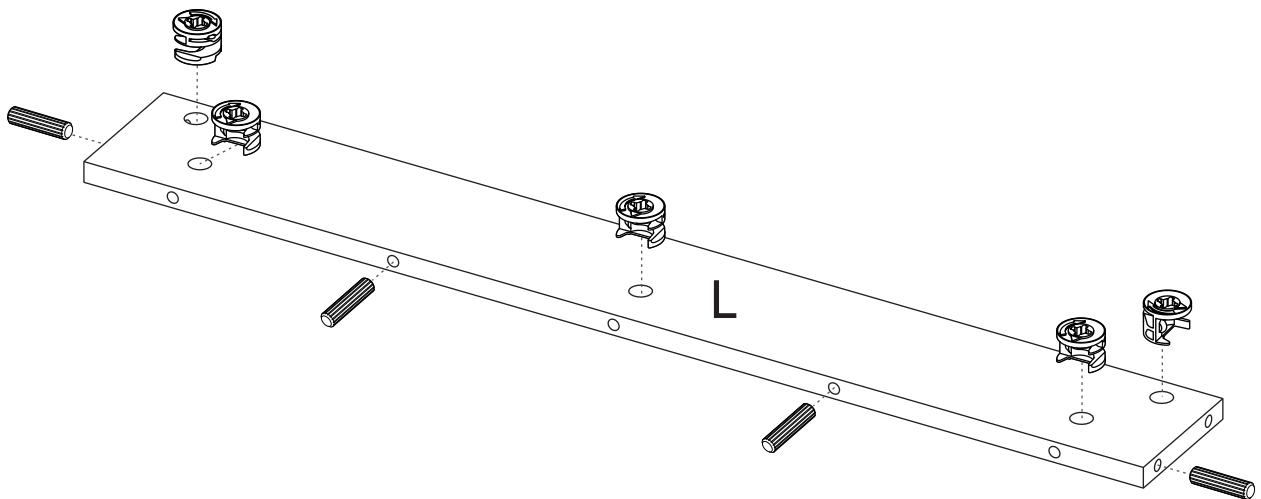
After joining two panels together you should turn the cams 180° with a phillips head screwdriver to adjust and secure the joint.

1 Let's start assembling!

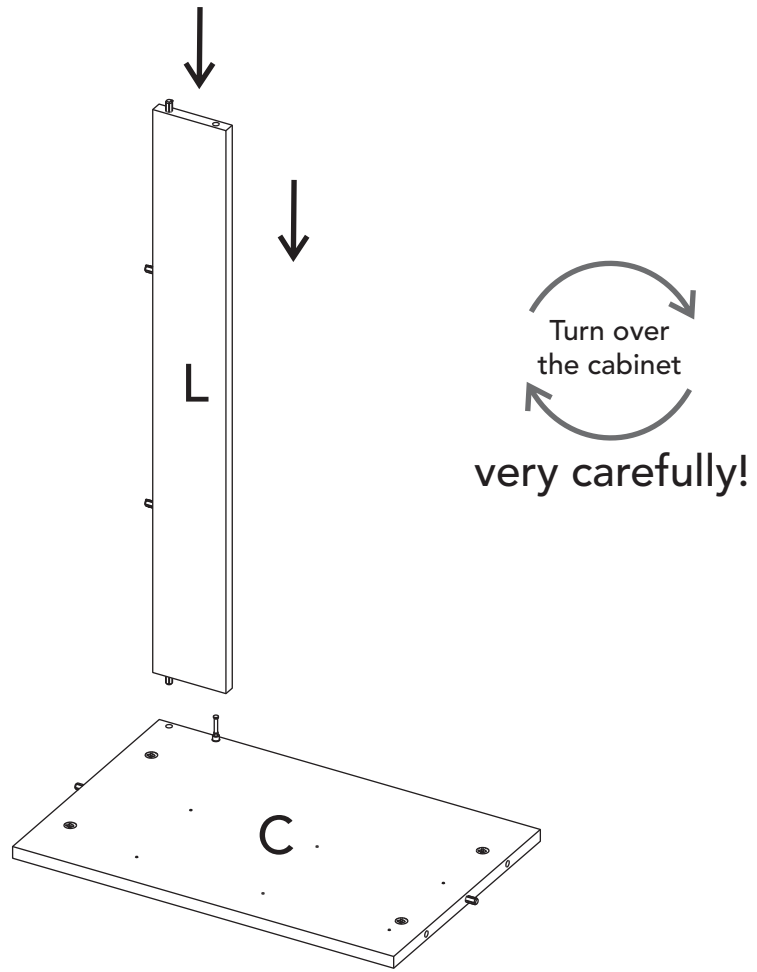
You can see the last page of this manual to have a full look of the panels of this cabinet.



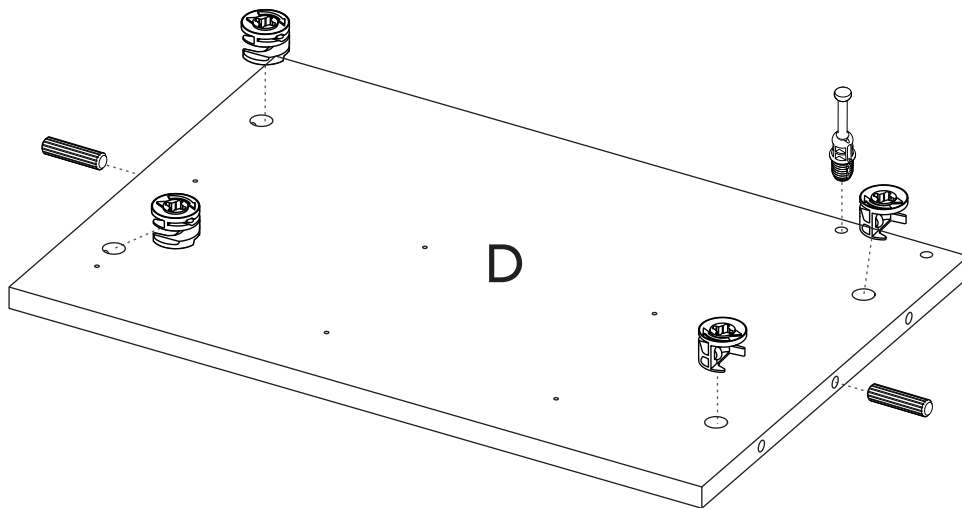
2



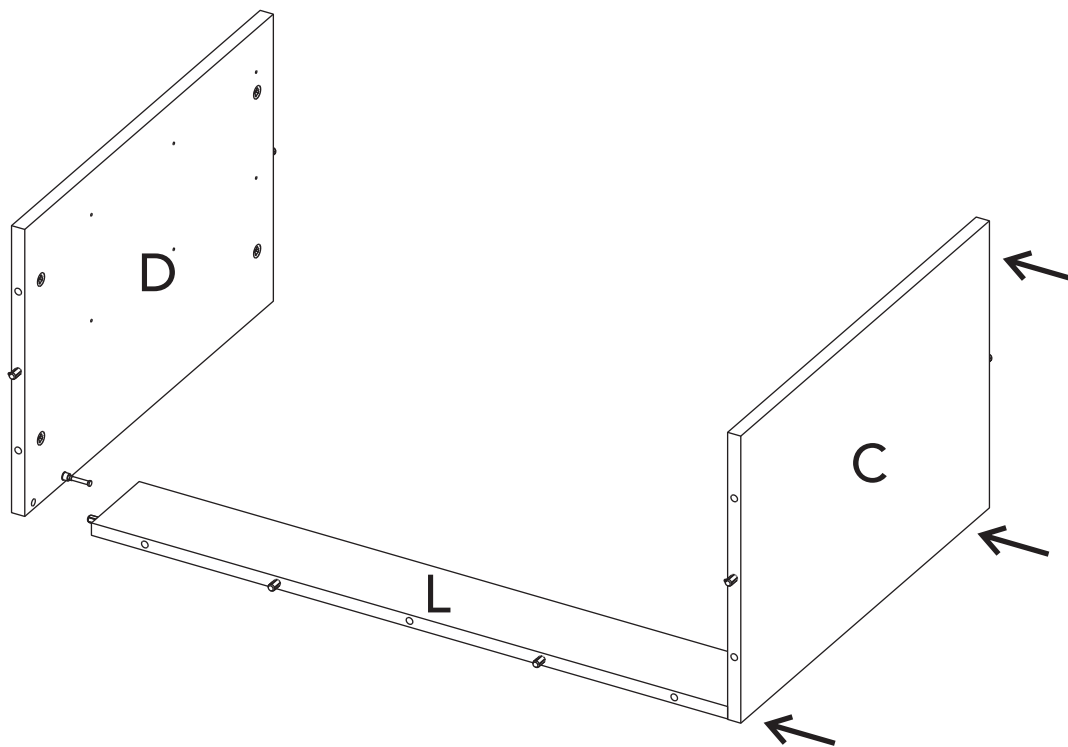
3



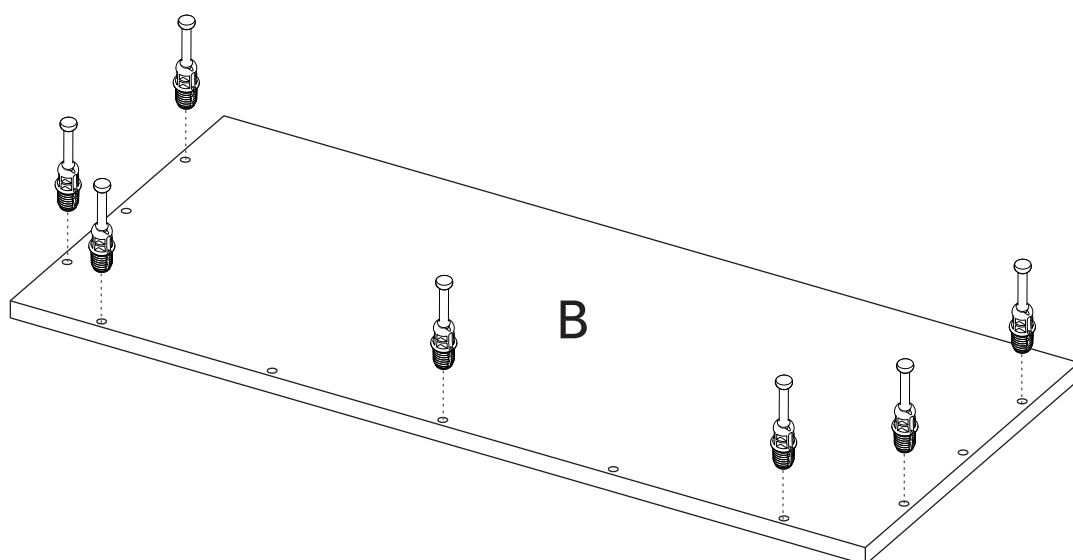
4



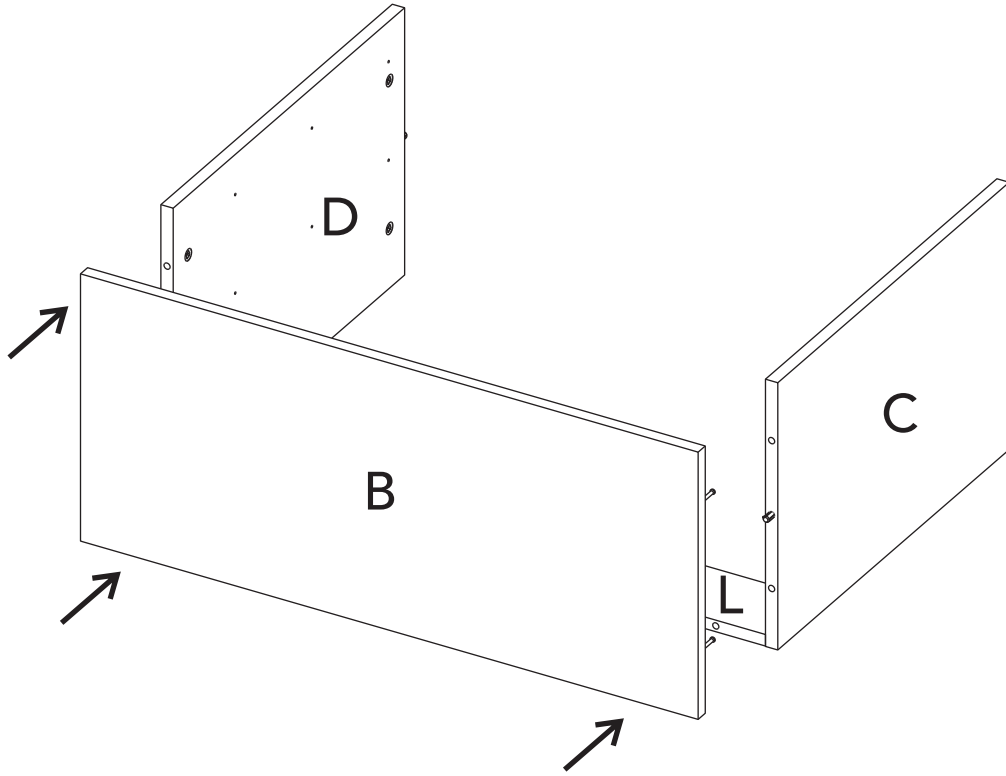
5



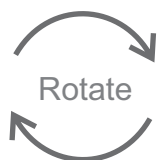
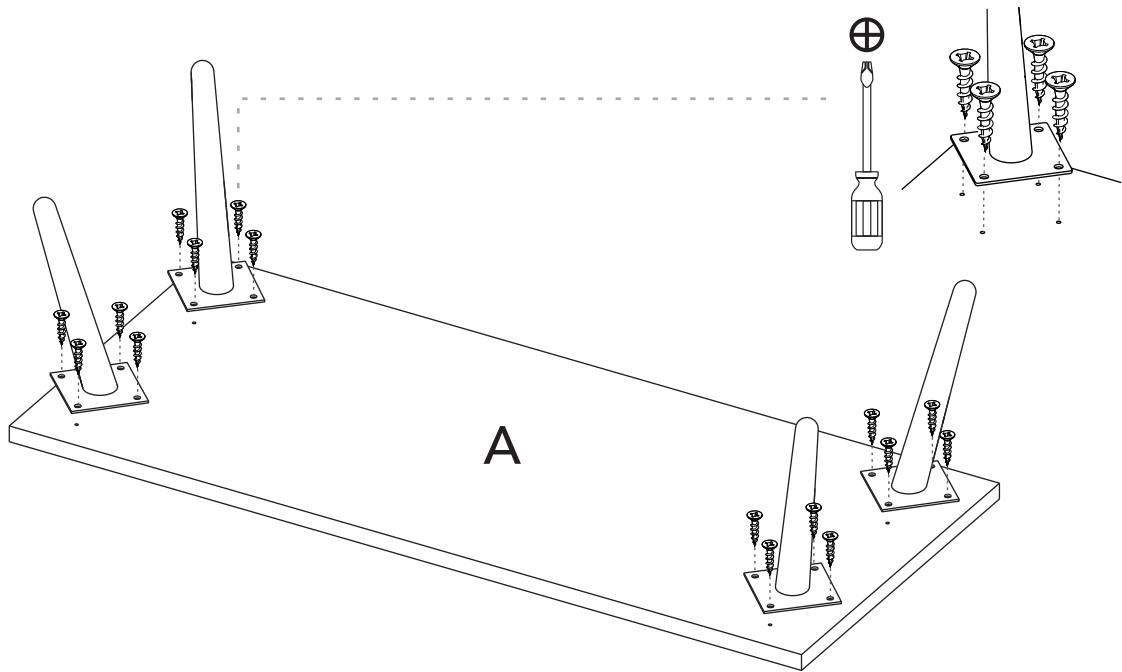
6

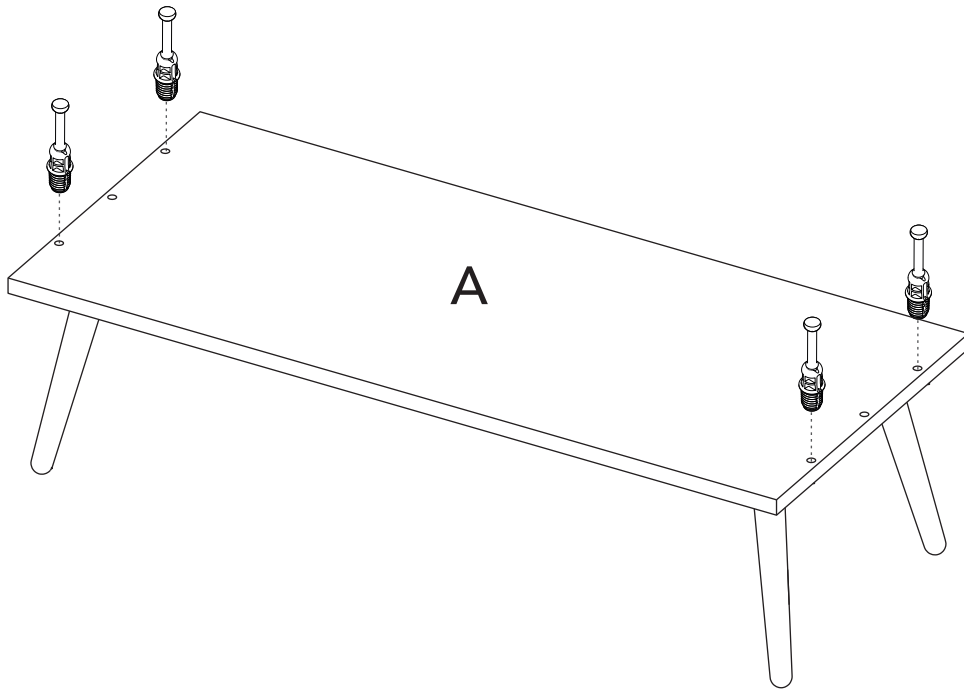


7

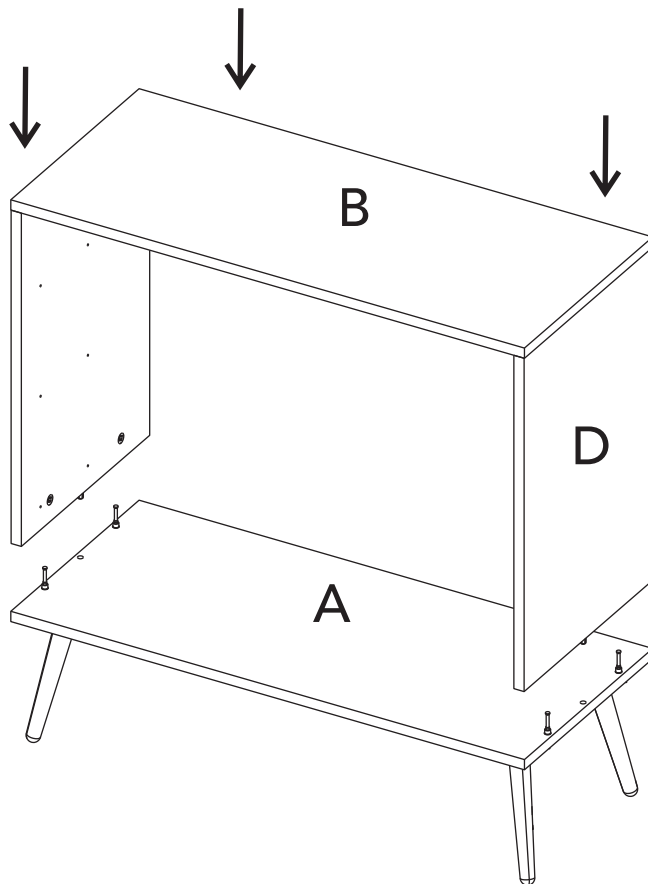


8



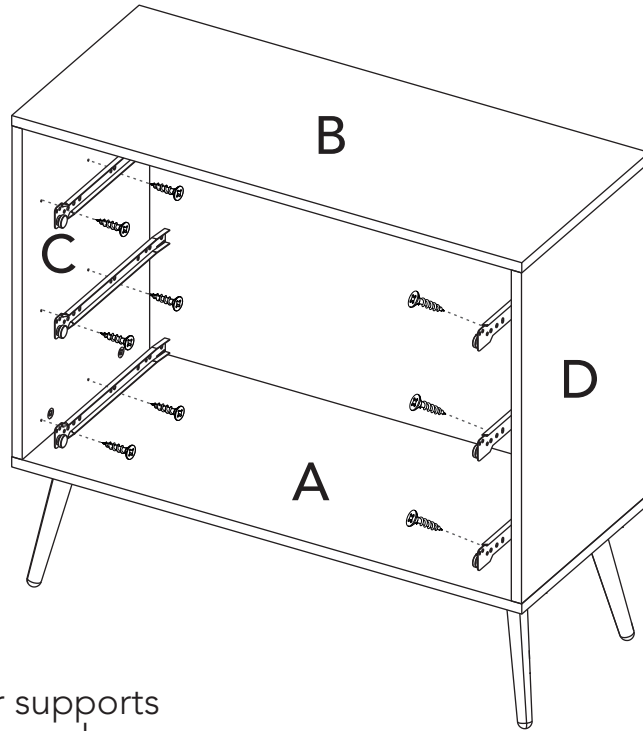
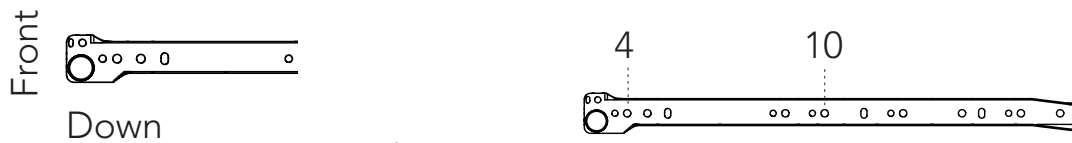


9



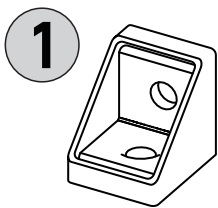
10 Drawer slides installation

The wheel should go towards the front edge of the panel and facing down, like this:

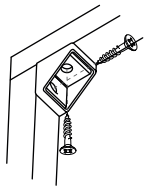


11

Place the corner supports in the corners and screw with flat head screw 9/16"



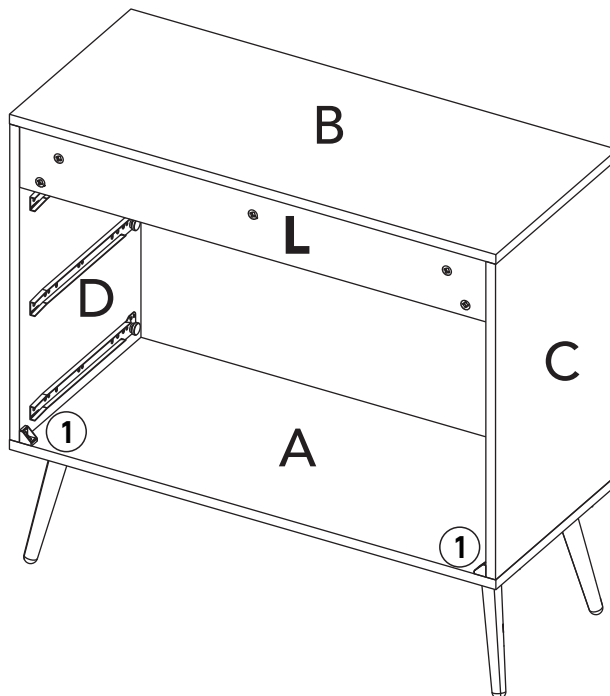
Corner Support



Flat head screw 9/16"

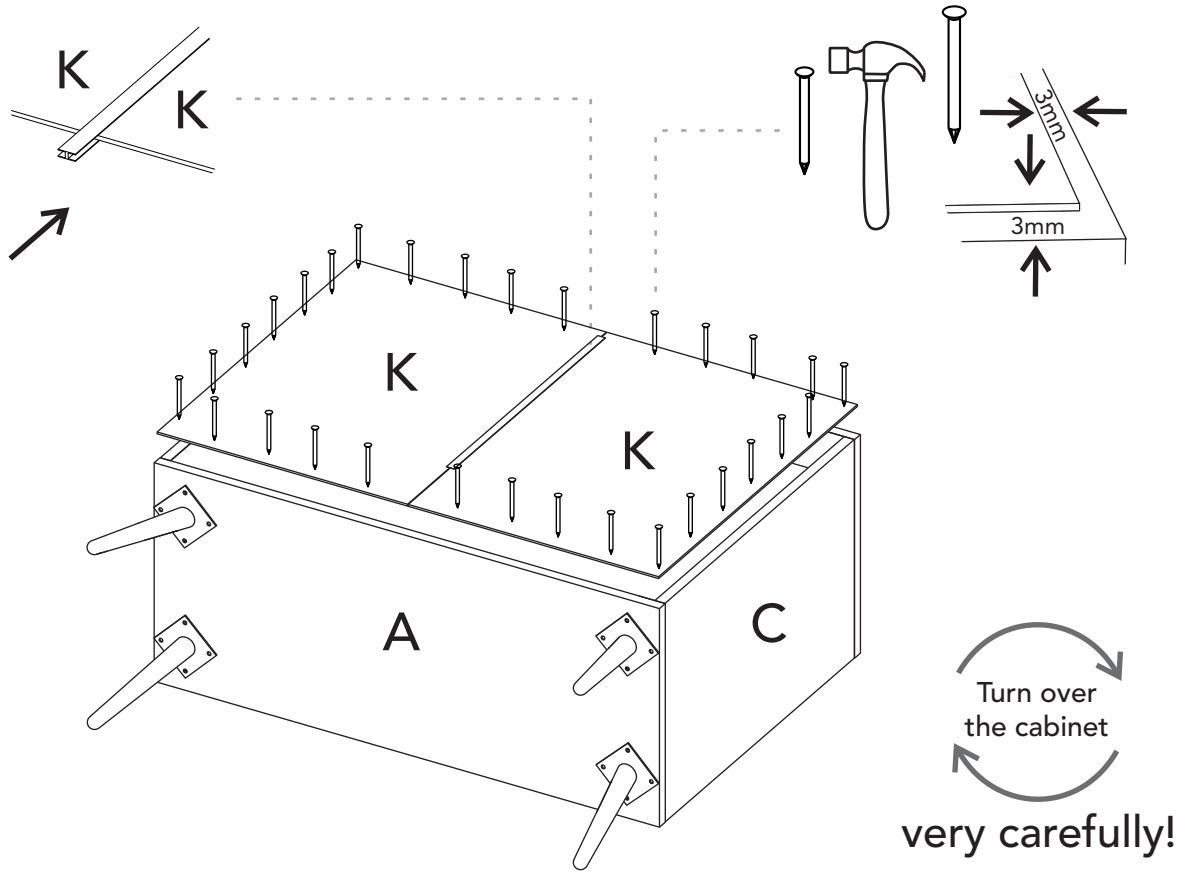


Flat head screws 9/16"

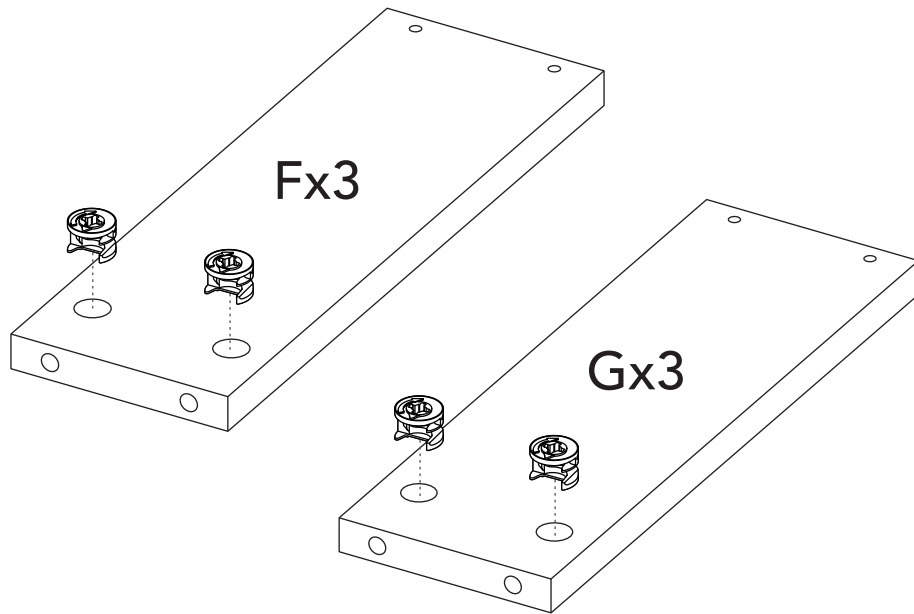


Turn over
the cabinet
very carefully!

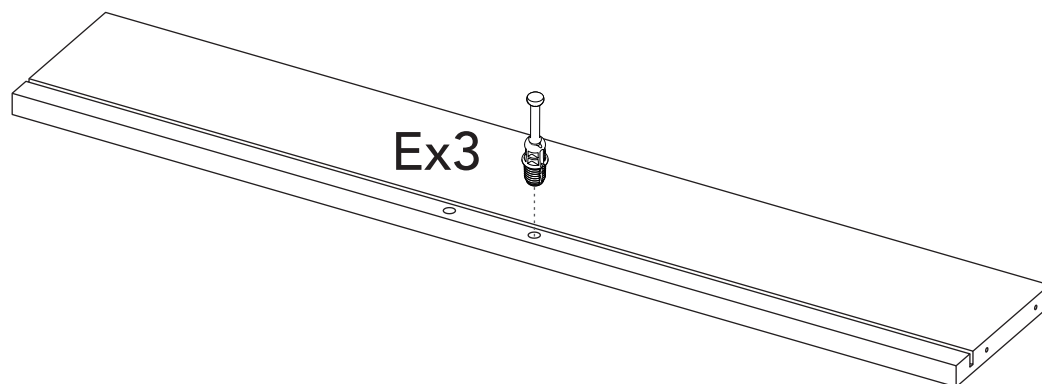
12



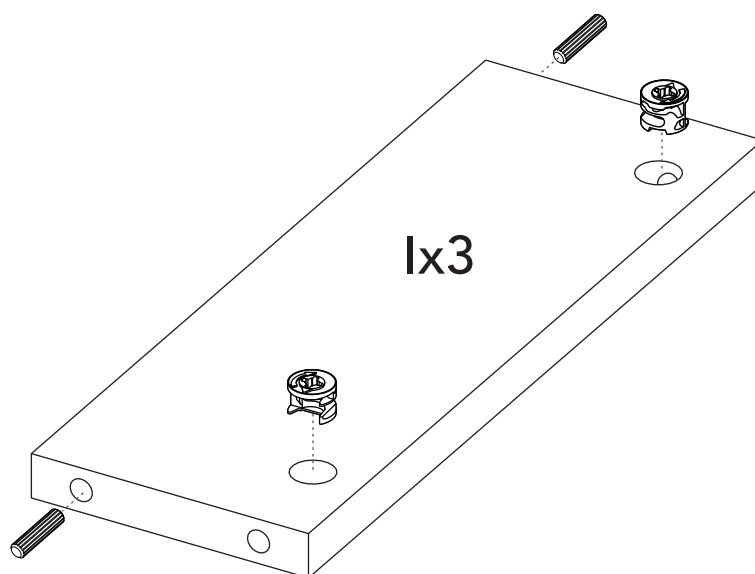
13



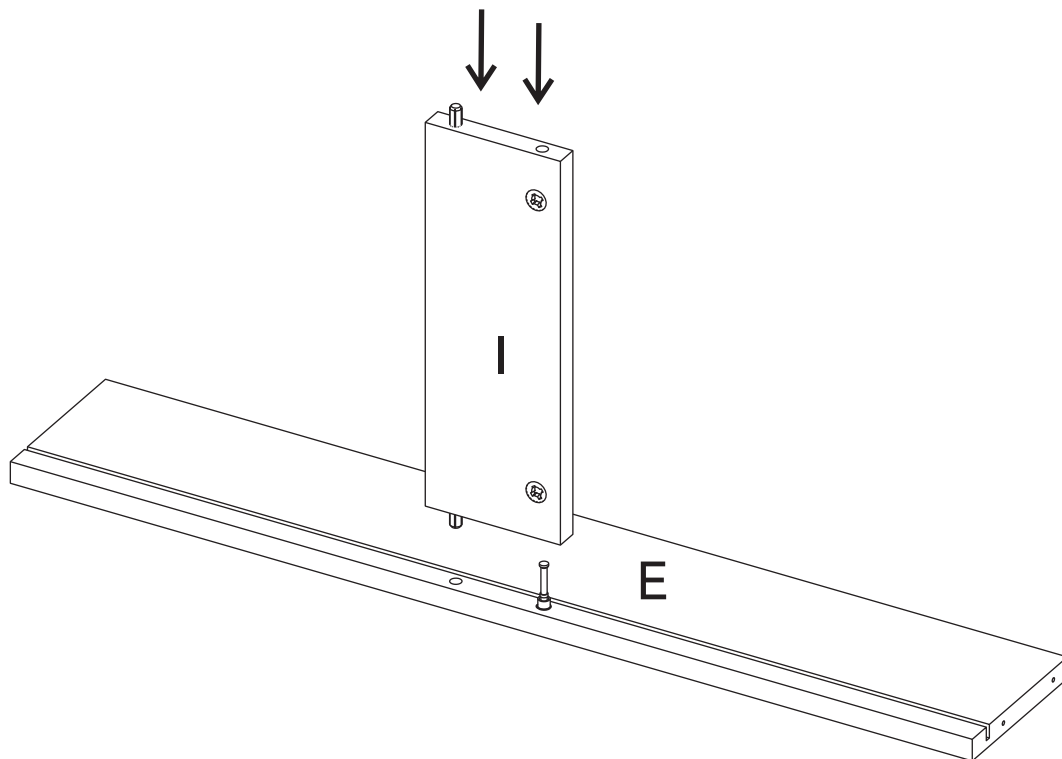
14



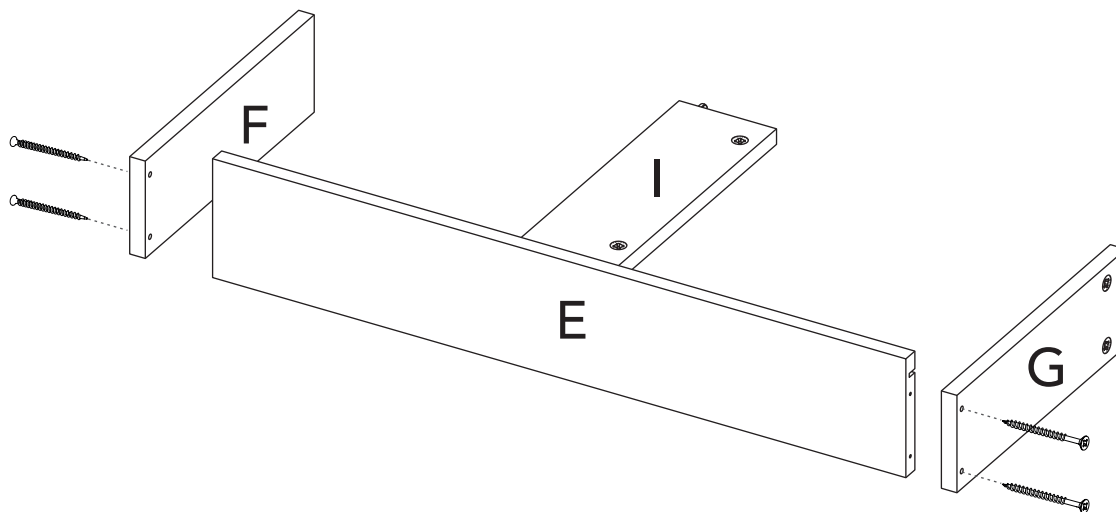
15



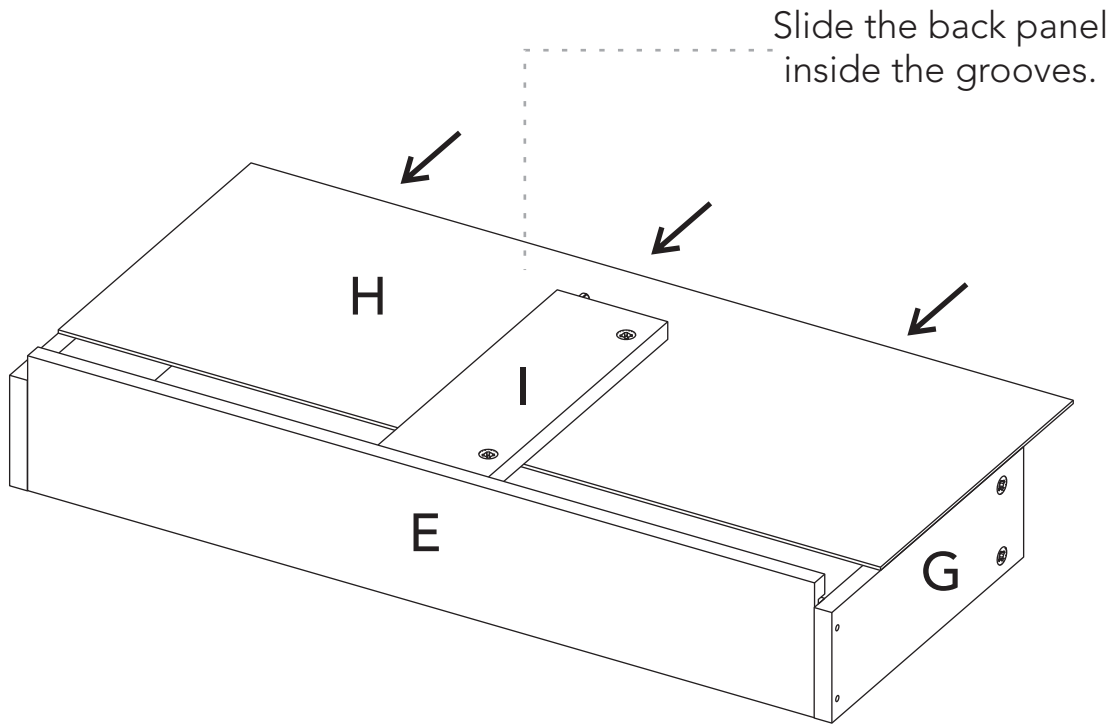
16X3



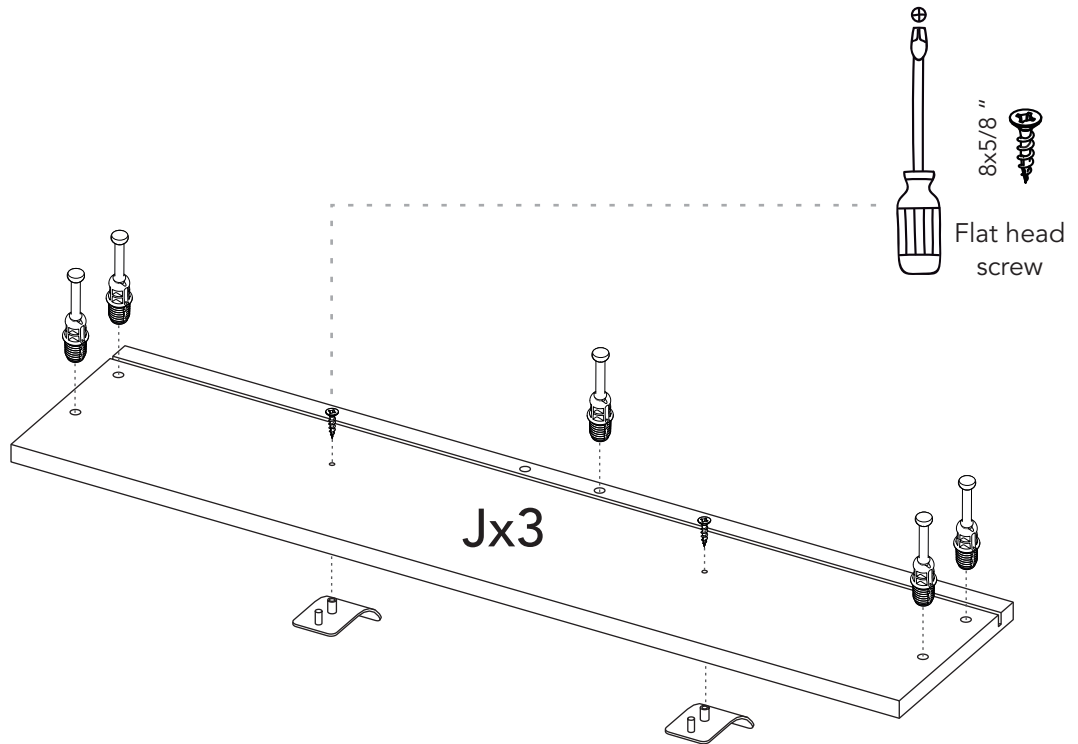
17X3



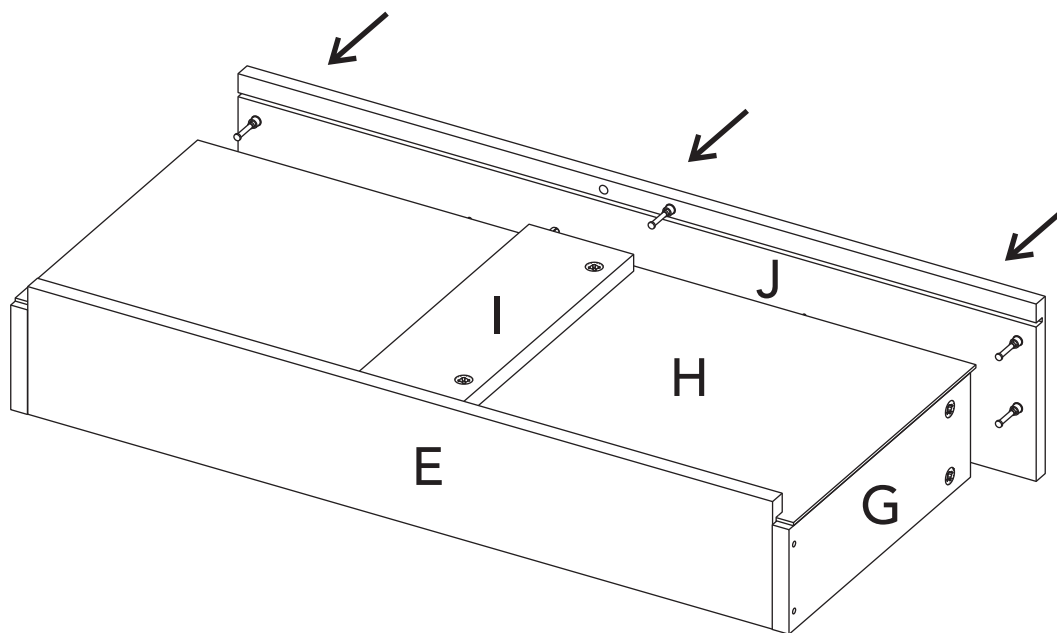
18X3



19



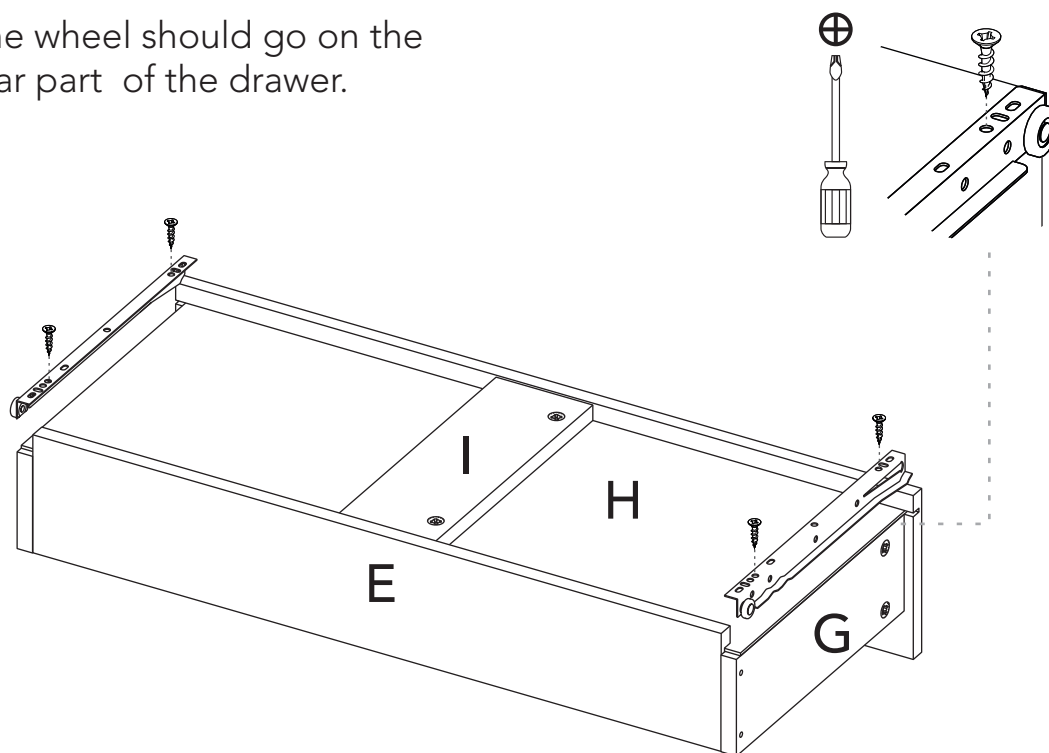
20X3



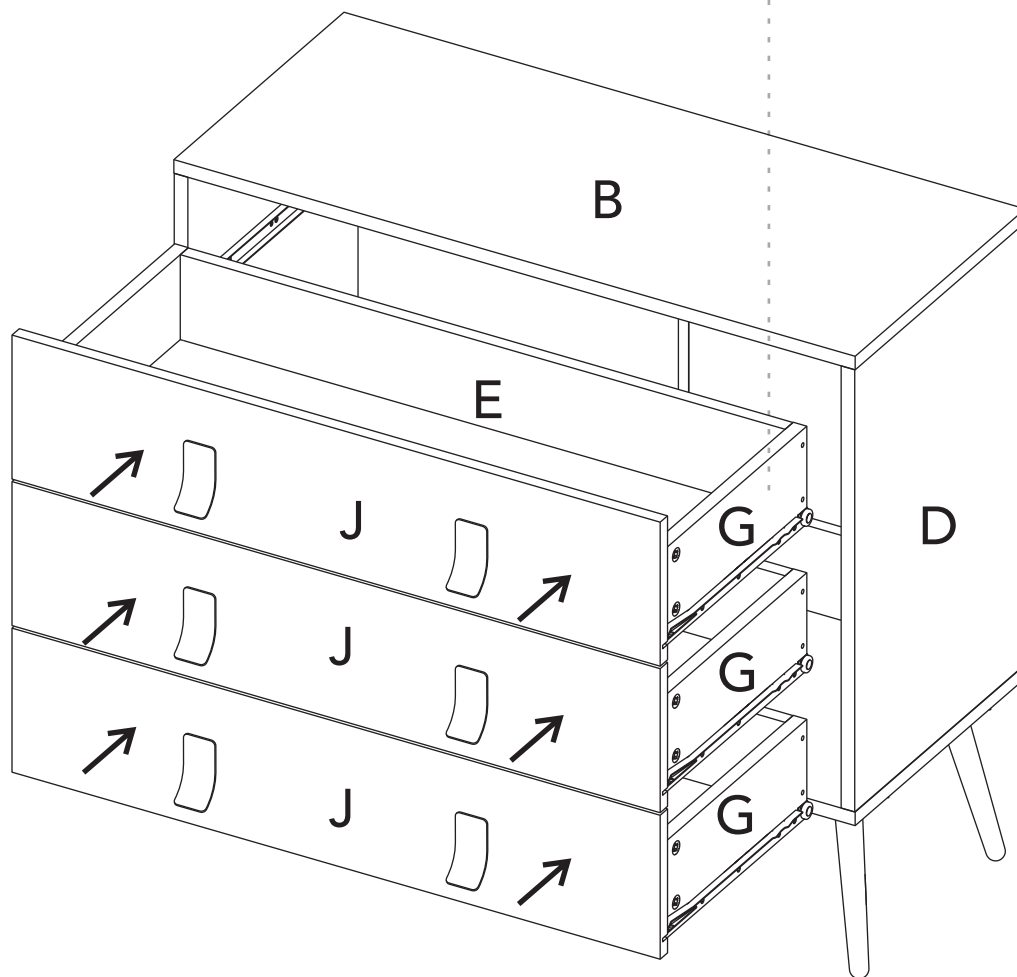
21X3

Drawer Installation

The wheel should go on the rear part of the drawer.











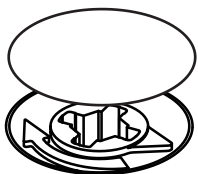
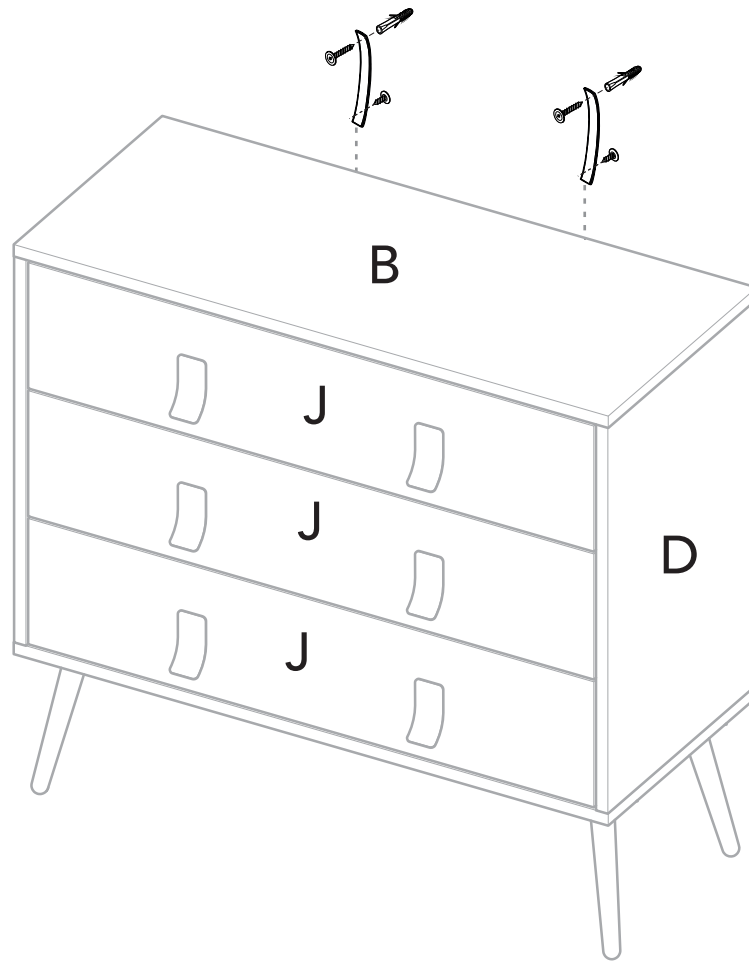
Slide the drawers
inside the cabinet.



23

To prevent furniture tip-overs, it's important to properly install a tip-over device. Here are the steps to secure the furniture to a wall:

- 1 Open the Tip-over prevention device that came with the product. 
- 2 Measure the height of the furniture on the wall and mark it. 
- 3 Measure the distance from the top of the furniture to where you plan to attach the tip-over device. 
- 4 Using a stud finder, locate the studs in the wall behind the furniture. Mark their location with a pencil. 
- 5 Hold the tip-over device in place on the furniture, aligning it with the marked location on the wall. Mark the position of the screw holes on the furniture. 
- 6 Use a drill to make pilot holes in the furniture where you marked the screw holes. 
- 7 Secure the tip-over device to the furniture. 
- 8 Attach the tip-over device to the wall, making sure the screws go into the studs. 
- 9 Test the tip-over device to ensure it's properly installed by pushing and pulling on the furniture. If it's secure, it should not tip over or shift..

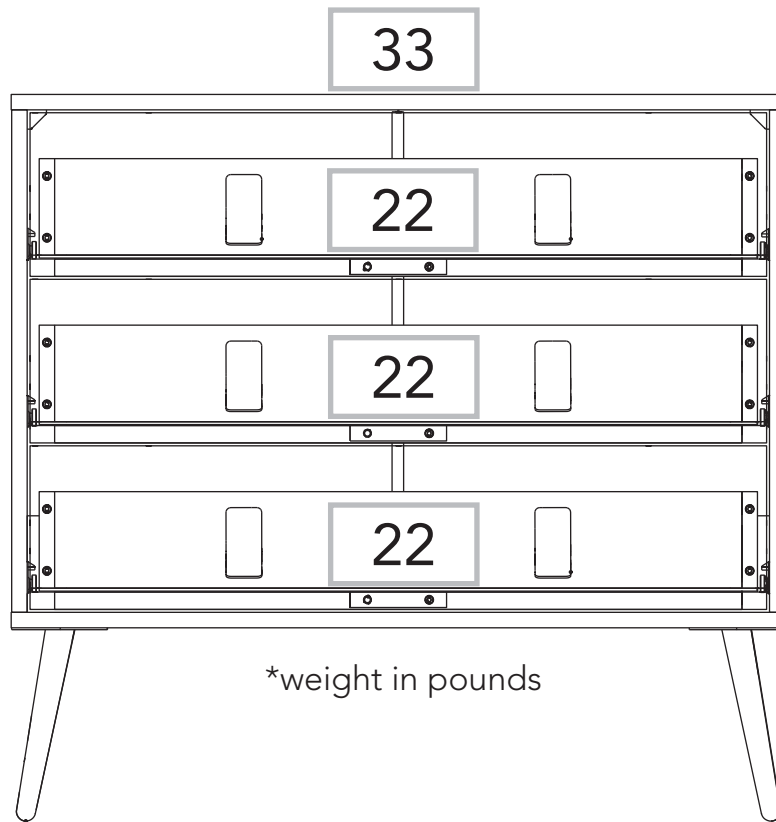


After adjusting all the Minifix cams, cover them up with the cover caps.



After finishing the assembly, lift off all the adhesive letters.

How much weight does my cabinet resist?



**Congratulations!
It's done**

But don't go yet!

There are some
recommendations left for you
to take care of your cabinet
correctly from now on.

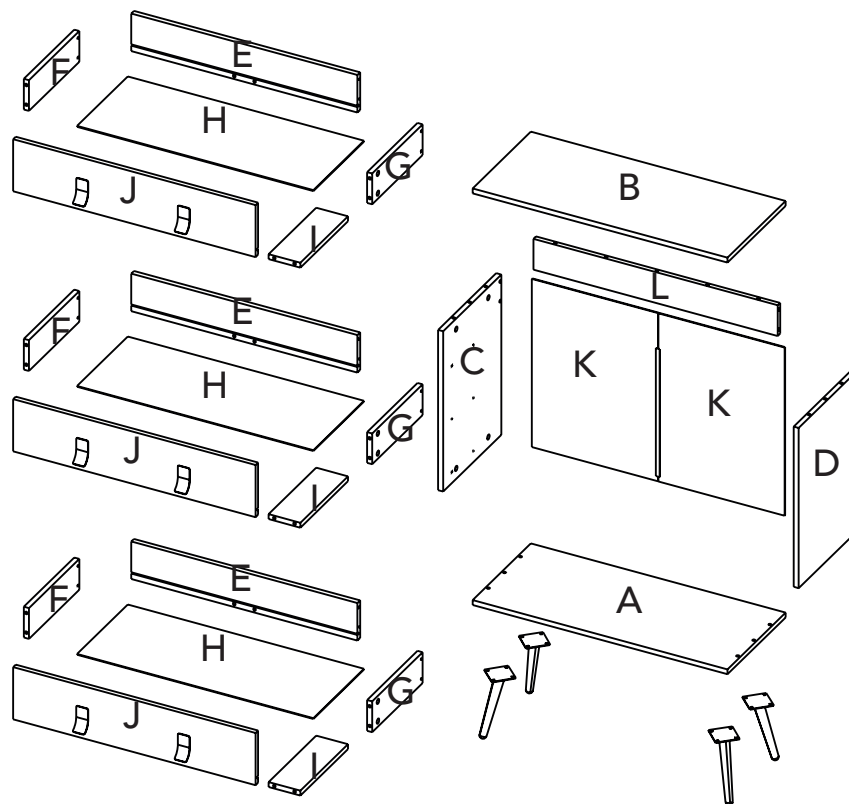
SUPER IMPORTANT!

We suggest fixing the cabinet to the
wall, so we can avoid the cabinet
tipping and harming anyone.
Be specially careful with the kids.

Taking care of your cabinet:

- Do not paint the cabinet.
- The cabinet is exclusively for indoor spaces. Do not expose it to the direct sun.
- Clean the metallic hardware with a dry cloth.
- DO NOT overload the cabinet (see suggested loads)
- Do not hit or hammer the cabinet (only when indicated here).
- Clean it with thinner, a soft soap solution or simply a damp cloth.
- Don't drag the cabinet, lift it up with other people.
- Avoid direct contact with water, fire or exposing it to high heat.

Cabinet panels



WARRANTY POLICY

PÓLIZA DE GARANTÍA

Furniture has a 1 year warranty coverage in wooden parts and hardware pieces since its manufacturing date, which you can see in the lot number printed on the product box and the assembly instructions leaflet.

Warranty covers materials and workmanship imperfections which impair the assembly or correct functioning of the cabinet.

This warranty is not valid if the defects or imperfections are caused by the incorrect following of the assembly instructions, warnings and recommendations, misuse, intentional damage, fire or flood, or after modifications or any kind of alteration, or repaired by someone not authorized, when it's been assembled 3 months after the date of purchase. These defects **MUST** be reported before the warranty coverage period ends. Once the product has been assembled, the company will not be responsible for defective and/or damaged parts.

This warranty is **ONLY** valid for the **ORIGINAL PURCHASER**, it doesn't apply if the product has been resold, rented, etc.

Furniture will take no liability for incidental or consequential damages caused to or by the product (This may not apply in your state).

To make this warranty valid you must write to our customer service email describing the product defect, lot number and submitting your sales receipt or proof of purchase, or contact us at our customer service line. Replaced parts will be under the product's original warranty coverage period. Damaged parts will become property of the company.

There are no other warranties applicable to this product.