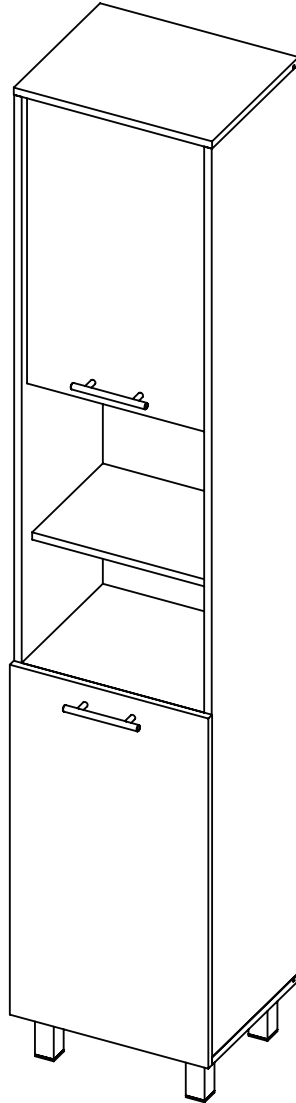


ASSEMBLY INSTRUCTIONS

INSTRUCCIONES DE ENSAMBLE



Height: 79,53 in Alto: 202 cm
Width: 15,75 in Ancho: 40 cm
Depth: 13,58 in Fondo: 34,5 cm

LOT N°

REF./SKU. ALB5582 - ALW5583

IF ANY PARTS ARE BROKEN OR MISSING PLEASE
CONTACT US AT: 1-888-391-01-66 /
customerservicetohome@rta.com.co
OUR CUSTOMER SERVICE TEAM WILL PROVIDE
YOU HELP TO RESOLVE ANY ISSUES IMMEDIATELY

HOBART KITCHEN PANTRY

Mueble Alacena Hobart



IMPORTANT RECOMMENDATIONS

Do not paint the cabinet.

The cabinet **MUST** be used exclusively indoors, do not expose to direct sun.

Clean metallic hardware with a dry cloth.

Do **NOT** overload the cabinet (see suggested loads).

Do not hit or hammer the cabinet (just when indicated).

Clean with a slightly damp cloth, use gentle soaps.

Do not drag, lift and move between two people.

Avoid direct contact with water, fire or exposure to heat sources.

RECOMENDACIONES IMPORTANTES

No pintar el mueble.

El mueble debe ser usado únicamente en interiores, no exponer al sol directo.

Limpiar los herrajes metálicos con un paño seco.

NO sobrecargar el mueble (ver las cargas sugeridas).

No golpear ni martillar el mueble (solo cuando se indique).

Limpiar con un paño ligeramente húmedo, usar jabones suaves.

No arrastre el mueble, levántelo entre dos personas.

Evite el contacto directo con el agua, el fuego o la exposición a fuentes de calor.



WARNING

Never allow children to climb or manipulate the cabinet, furniture tip over can cause serious injuries or death.



ADVERTENCIA

Nunca permita que los niños escalen o manipulen el mueble, la caída de este puede provocar lesiones graves o la muerte.

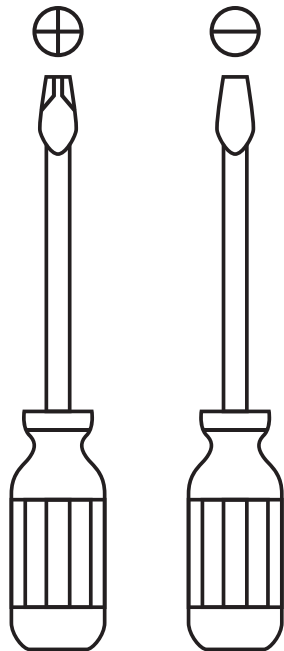
INDEX

Assembly Hardware.....	4
Assembly Parts.....	5
Suggested Loads.....	6
Assembly Recommendations.....	6
Assembly Steps.....	7-15
Warranty.....	16

ÍNDICE

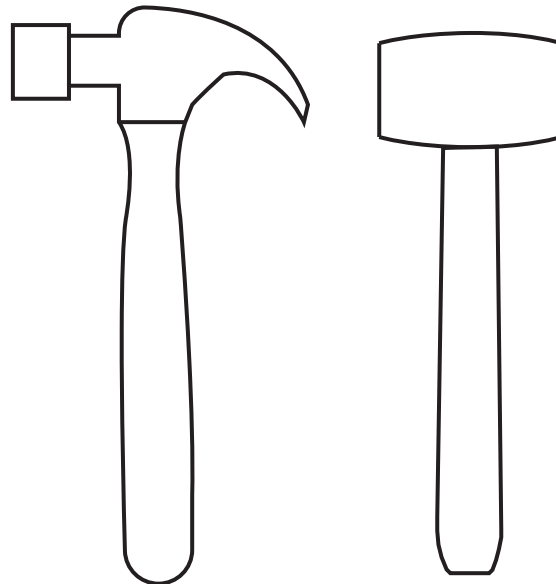
Herrajes para Armado.....	4
Piezas de Armado.....	5
Cargas Sugeridas.....	6
Recomendaciones de Ensamble.....	6
Pasos de Armado.....	7-15
Garantía.....	16

REQUIRED TOOLS*



*Not included, and not shown actual size.

HERRAMIENTAS NECESARIAS*



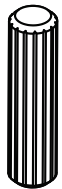
*No incluidas y no se muestran en tamaño real.

ASSEMBLY HARDWARE

HERRAJES PARA ARMADO

Please check that the hardware content is correct. If any item is missing, please call to our customer service line.

Compruebe que el contenido de los herrajes sea el correcto. En caso de que falte alguna pieza, por favor llame a nuestra línea de atención al cliente.



x24

Wood Dowel
Tarugo



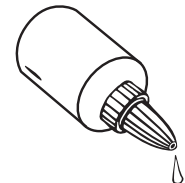
x16

Spreading Bolt
Perno Minifix



x16

Minifix Cams
Minifix



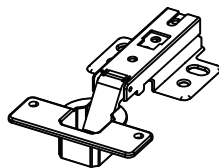
x1

Glue
Pegante



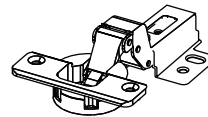
x20

Cover Caps
Tapa Adhesiva
Minifix



x2

Full Overlay Hinge
(Includes screws)
Bisagra Parche
(Incluye tornillos)



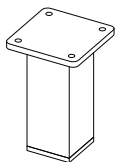
x2

Inset Hinge
(Includes screws)
Bisagra Interior
(Incluye tornillos)



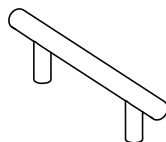
x16

Flat Head Screw
Tornillo Lámina



x4

Leg
Pata



x2

Handle
(Includes screws)
Manija
(Incluye tornillos)



x1

Drywall Screw +
Wall Anchor
Chazo Mariposa
+ Tornillo Ensamble



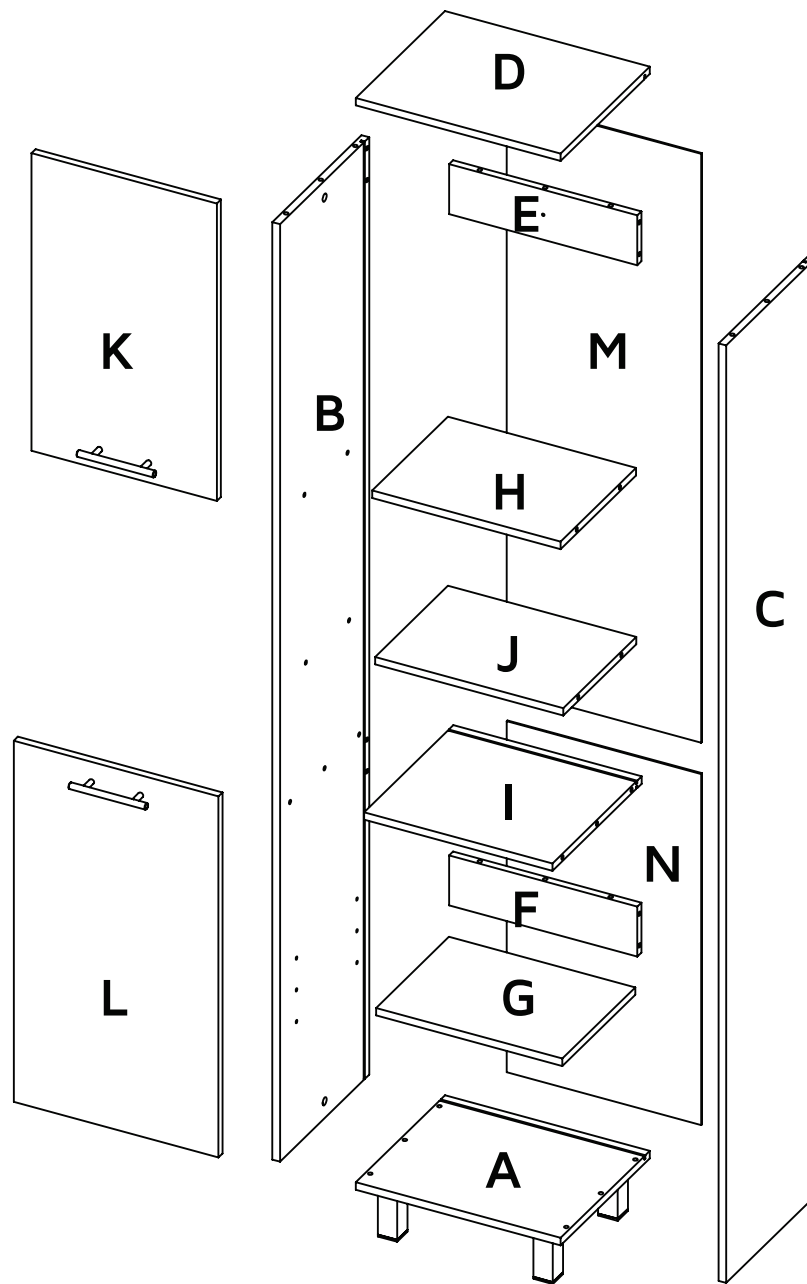
x4

Mobile Shelf Support
Soporte de Entrepañó
Móvil

Hardware items are NOT shown actual size.
Los herrajes no se muestran en tamaño real.

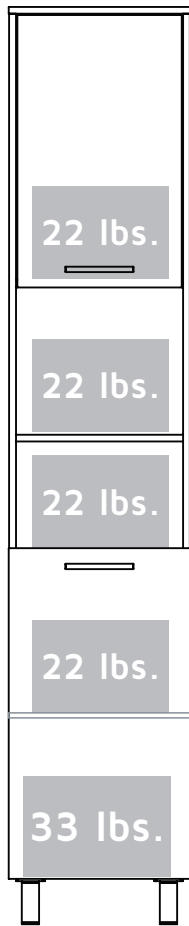
ASSEMBLY PARTS

PIEZAS DE ARMADO



A - x1	E - x1	I - x1	M - x1
B - x1	F - x1	J - x1	N - x1
C - x1	G - x1	K - x1	
D - x1	H - x1	L - x1	

MAX SUGGESTED LOADS



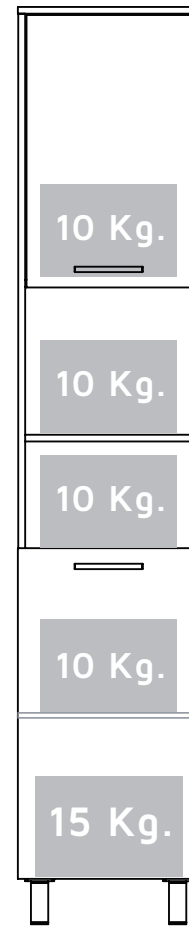
ASSEMBLY RECOMMENDATIONS

Two people are recommended to assemble the product.

Assemble the cabinet on a flat, smooth surface, preferably on a carpeted floor or the carton box of the product.

Carefully read the assembly instructions and identify every wood and hardware part before start assembling the cabinet.

CARGAS MÁXIMAS SUGERIDAS



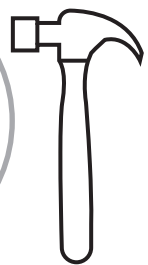
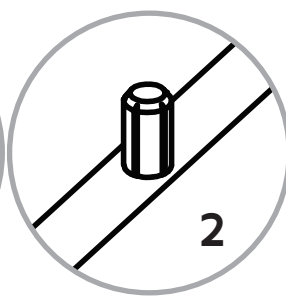
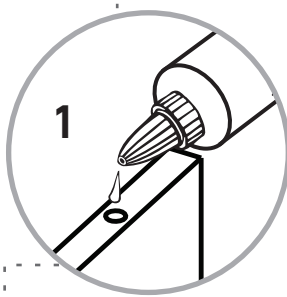
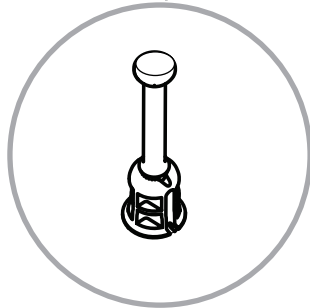
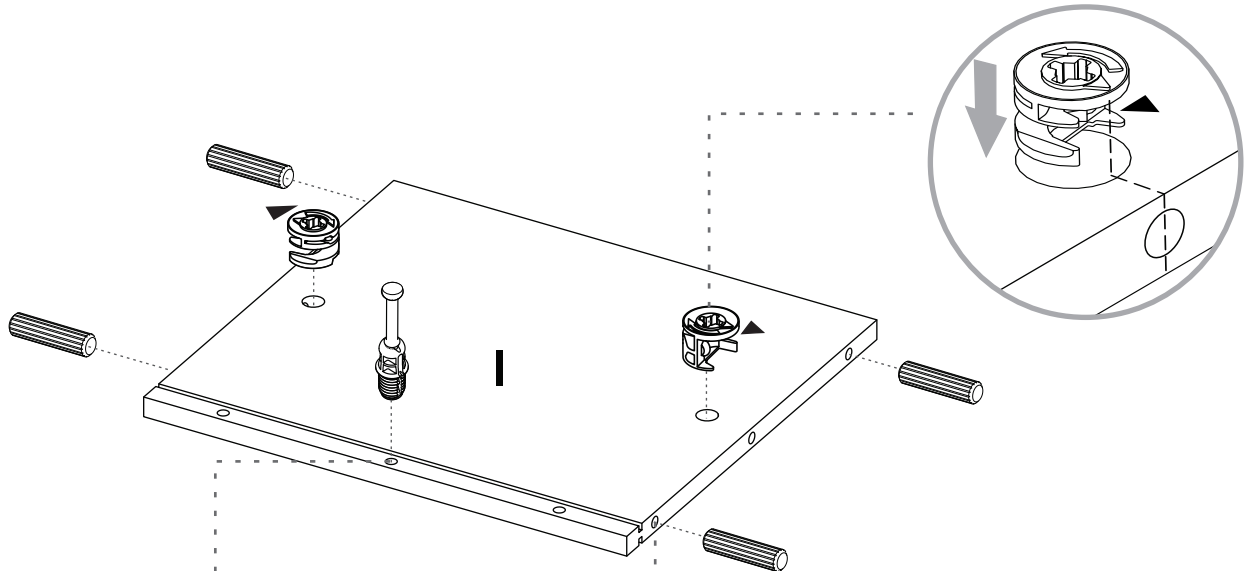
RECOMENDACIONES DE ENSAMBLE

Ensamble el mueble entre dos personas.

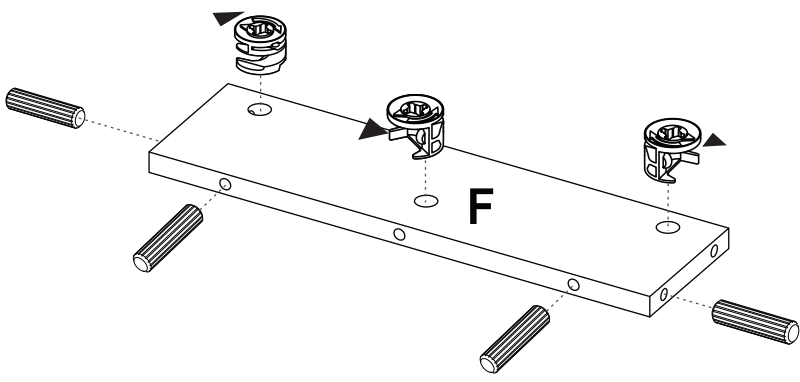
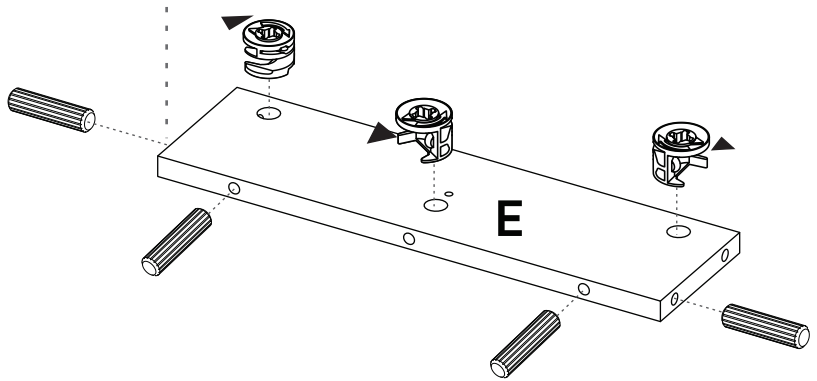
Ensamble el mueble sobre una superficie plana y lisa, preferiblemente sobre un tapete o el cartón de la caja

Lea cuidadosamente las instrucciones e identifique todas las piezas y herrajes antes de empezar a armar el mueble.

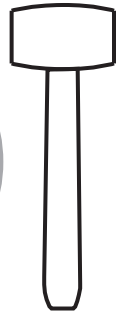
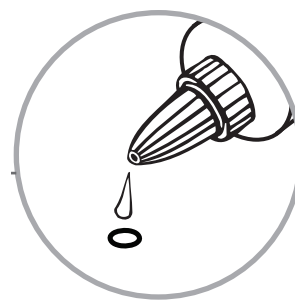
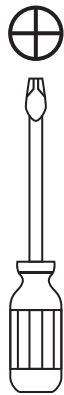
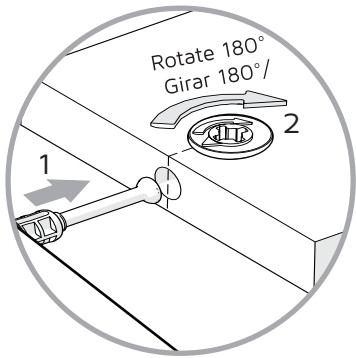
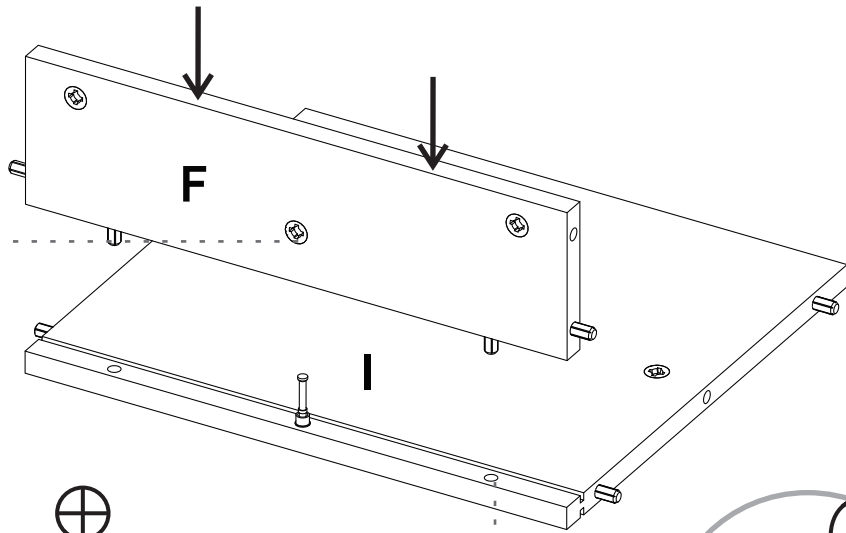
1



2

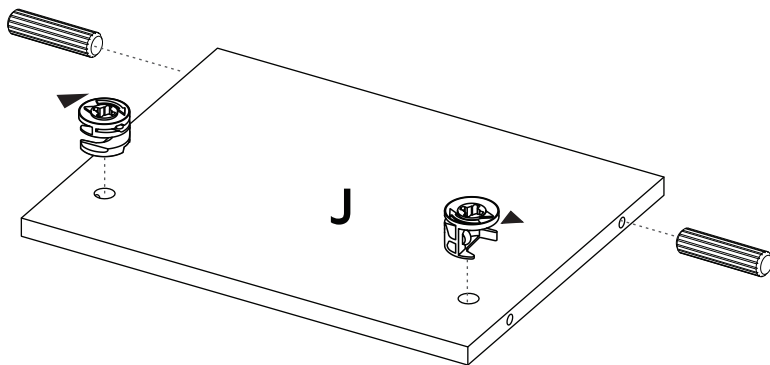
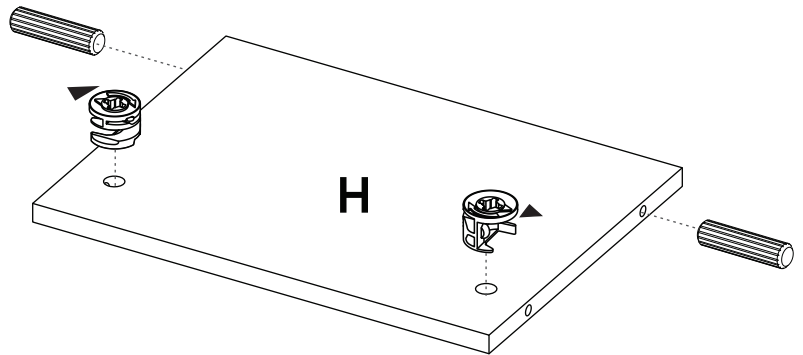


3

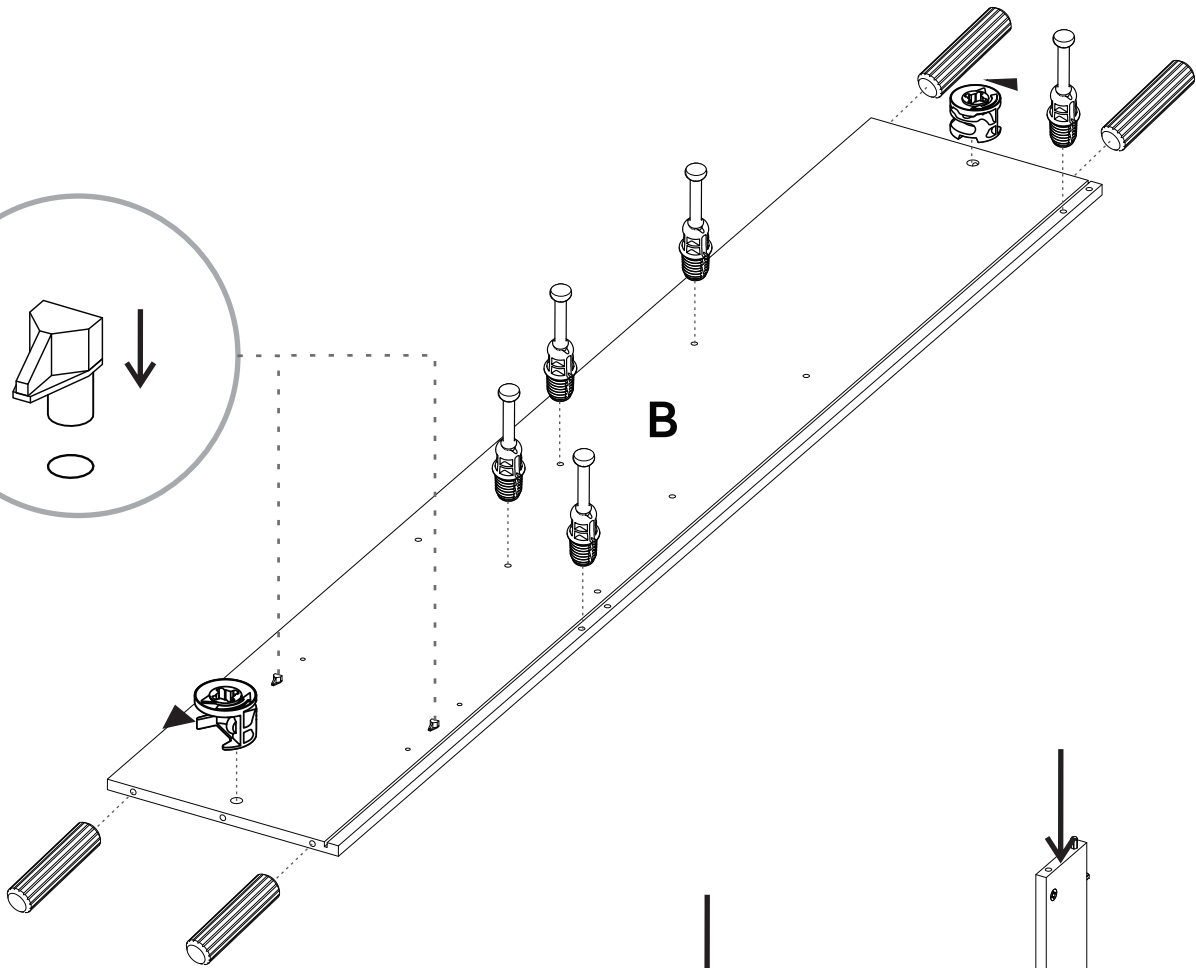
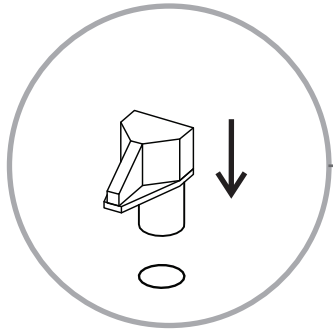


Gently hit to adjust.
Golpee suavemente para ajustar.

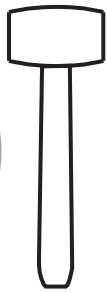
4



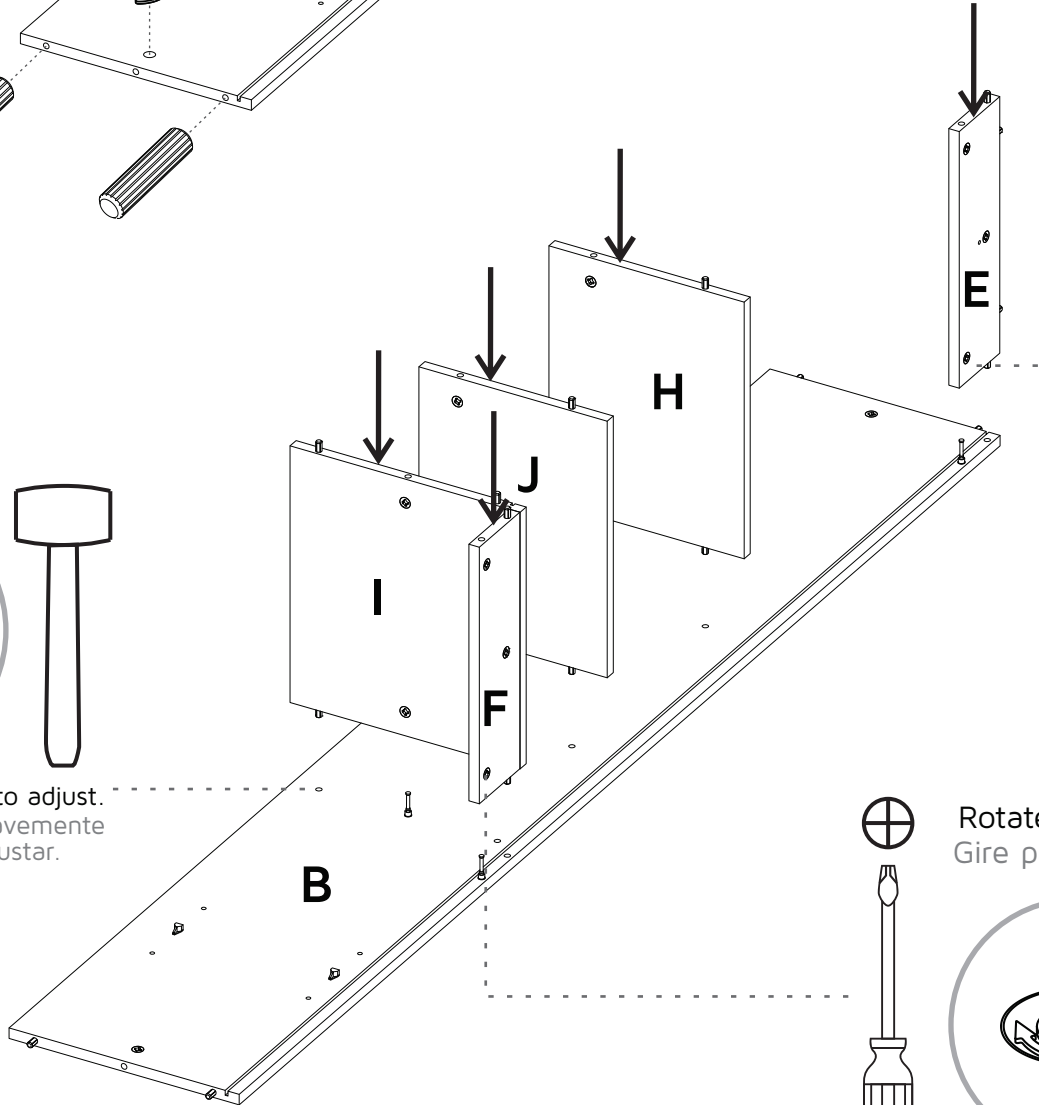
5



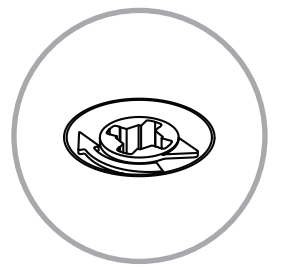
6

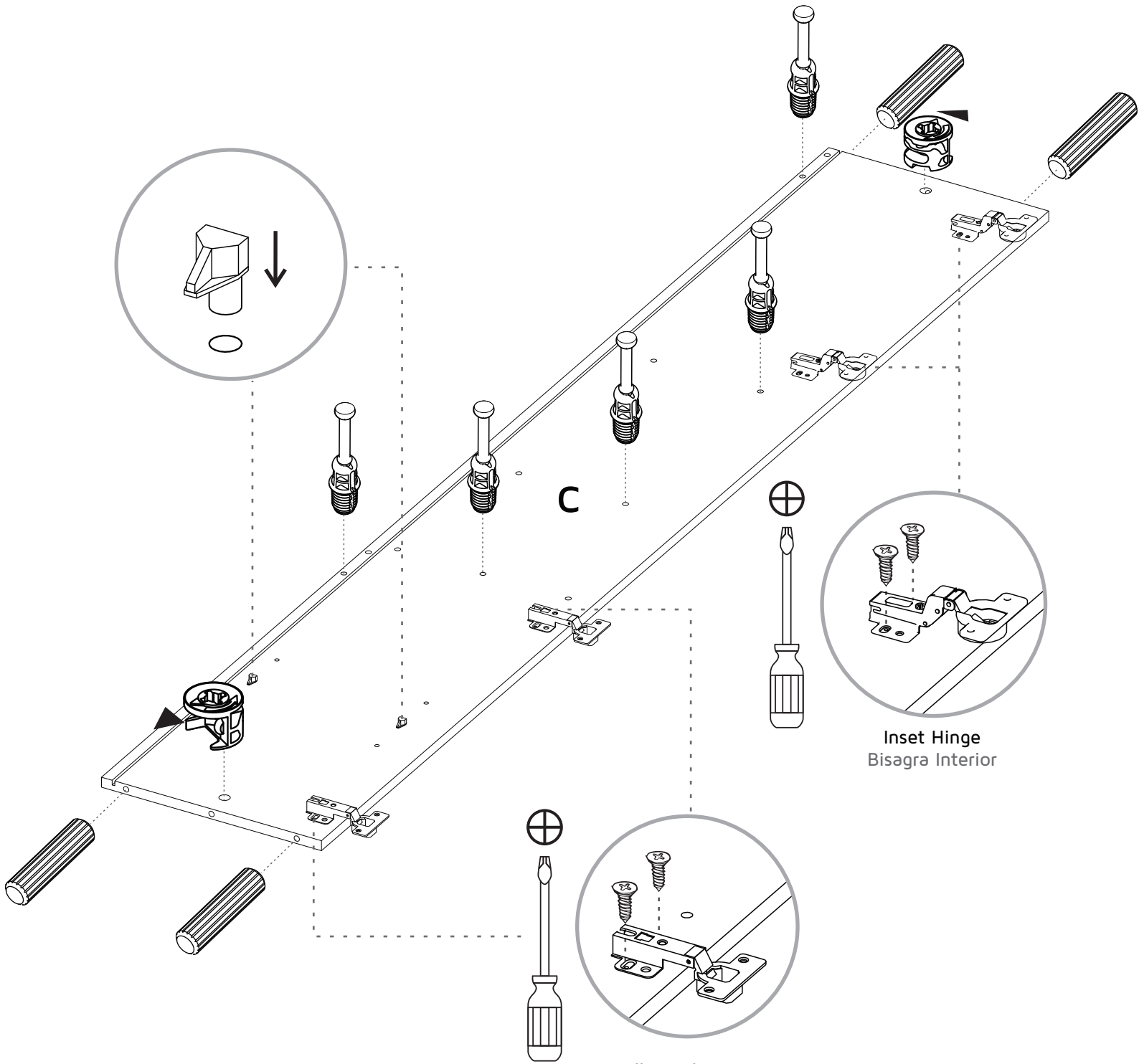
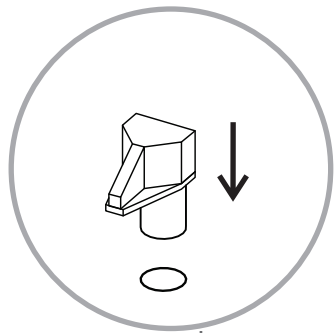


Gently hit to adjust.
Golpee suavemente
para ajustar.



Rotate to tighten.
Gire para apretar.

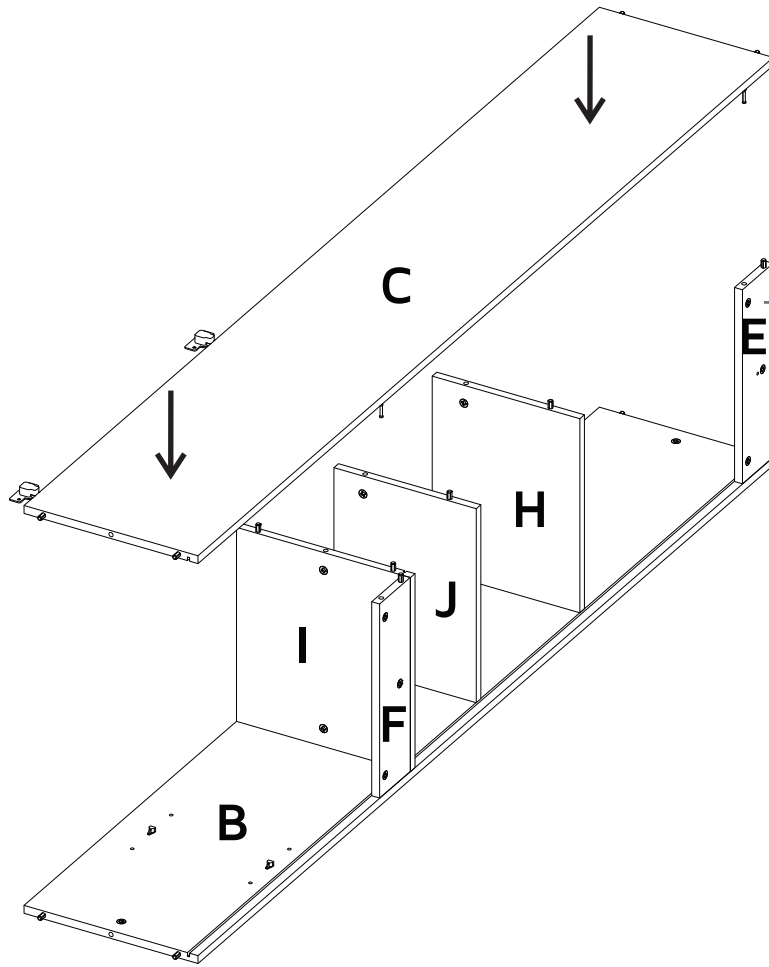




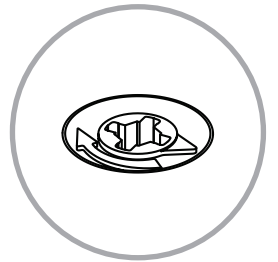
Inset Hinge
Bisagra Interior

Full Overlay Hinge
Bisagra Parche

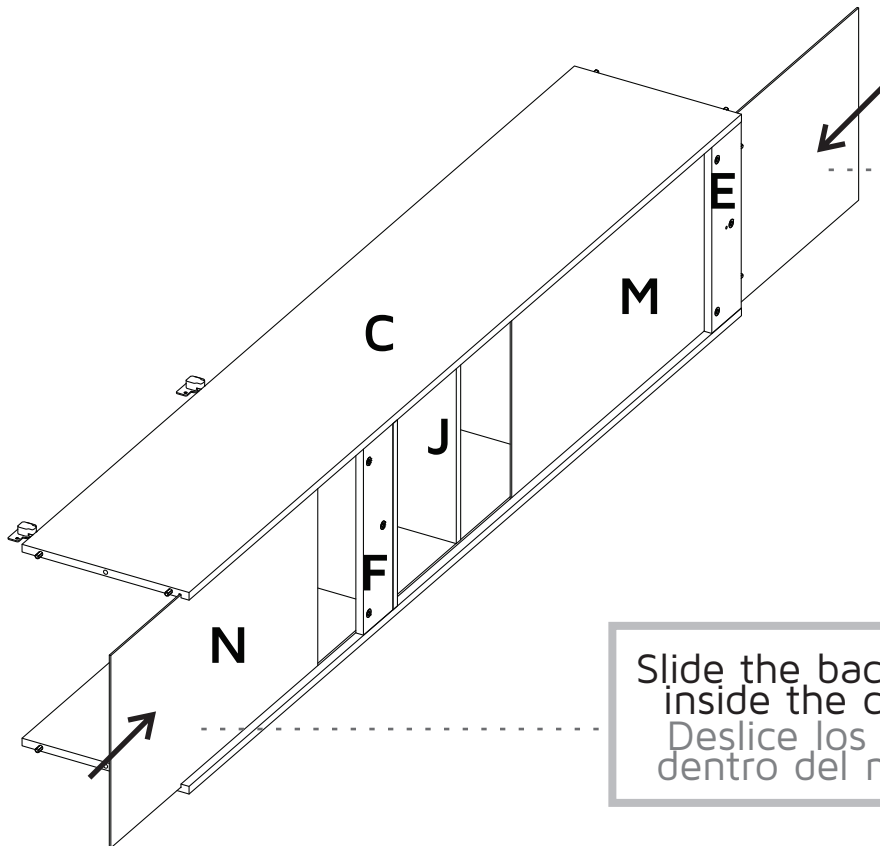
8



Rotate to tighten.
Gire para apretar.

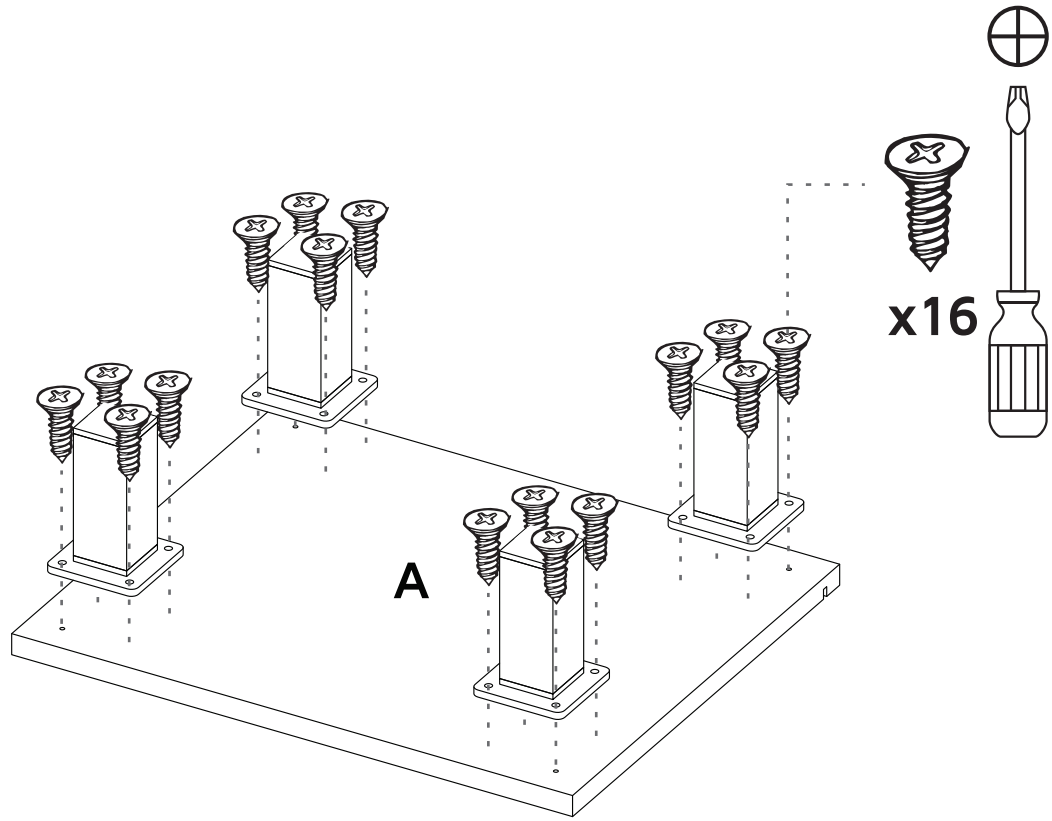


9



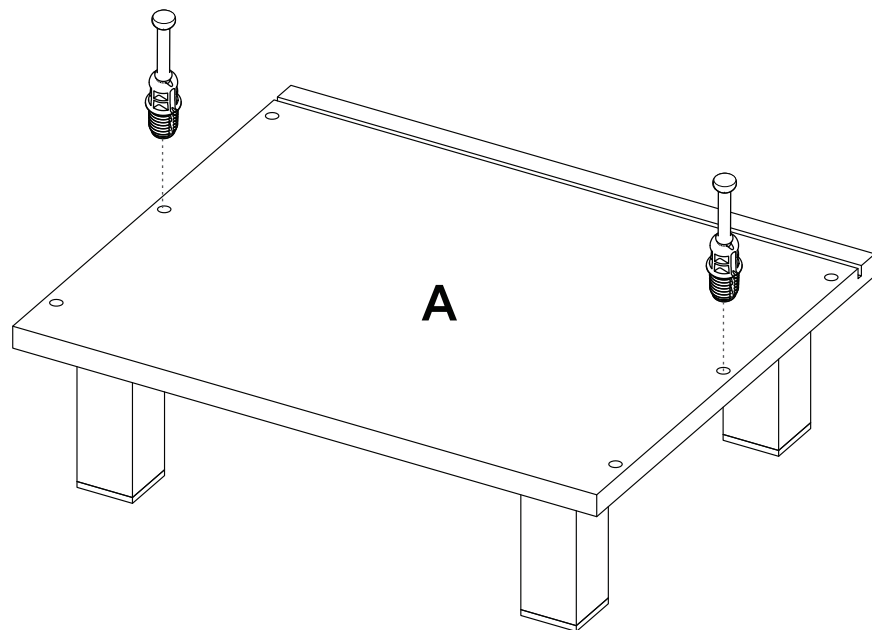
Slide the back panels
inside the cabinet.
Deslice los fondos
dentro del mueble.

10

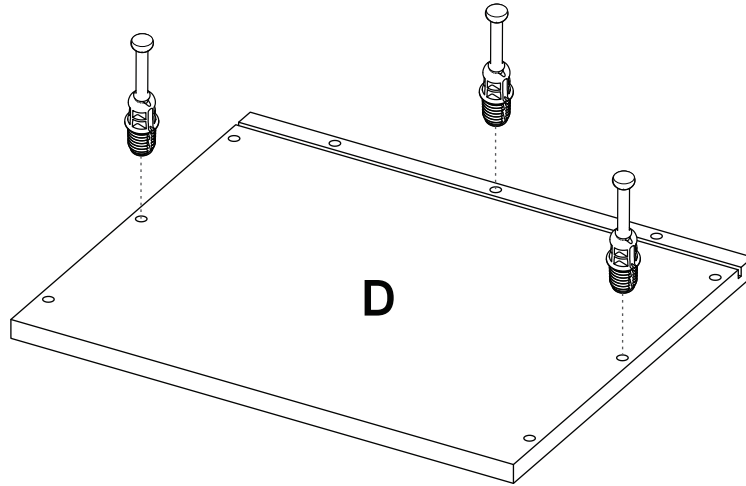


11

Rotate
Voltar



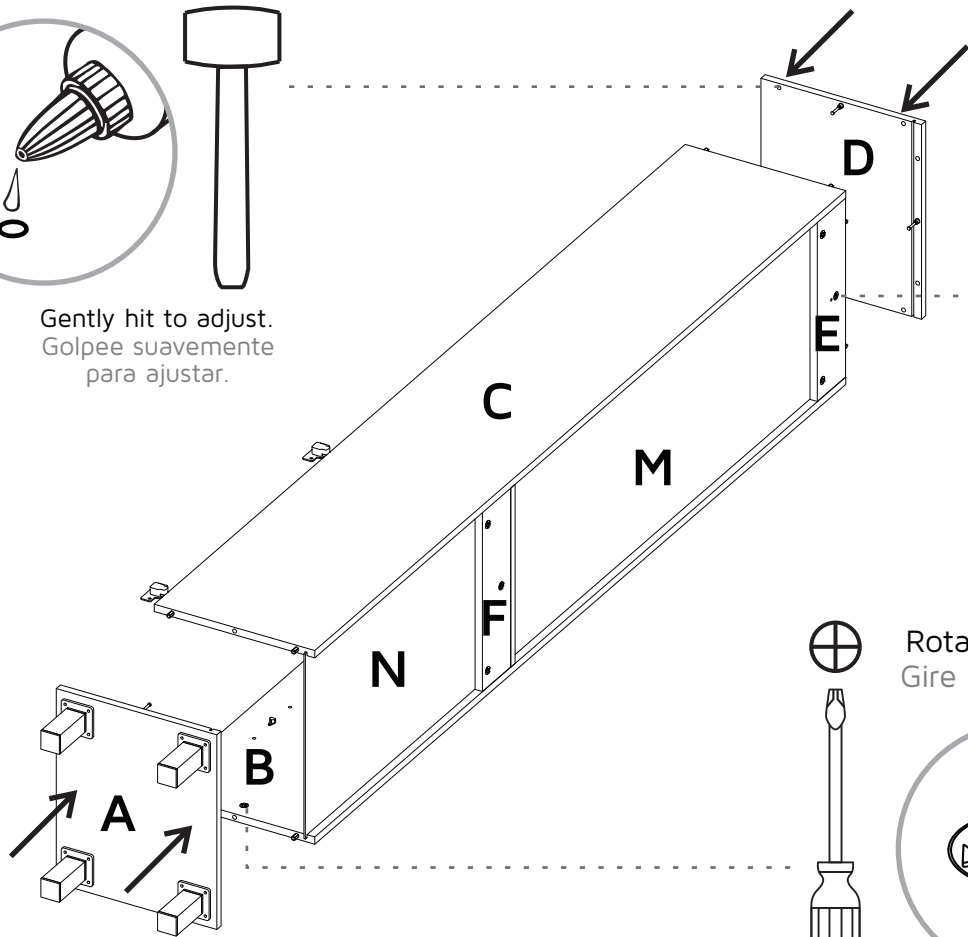
12



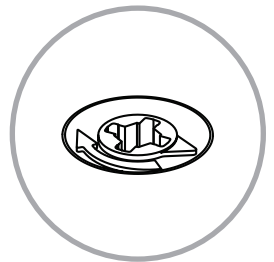
13



Gently hit to adjust.
Golpee suavemente
para ajustar.



Rotate to tighten.
Gire para apretar.

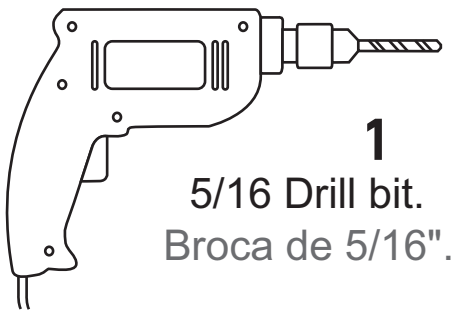


Be careful turning over the cabinet.
Tenga cuidado al voltear el mueble.

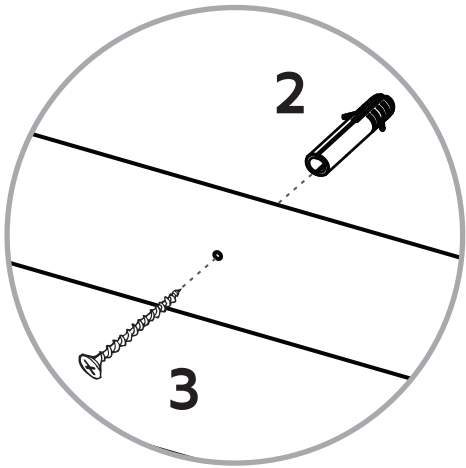


For the user safety, it is recommended to anchor the furniture to the wall.

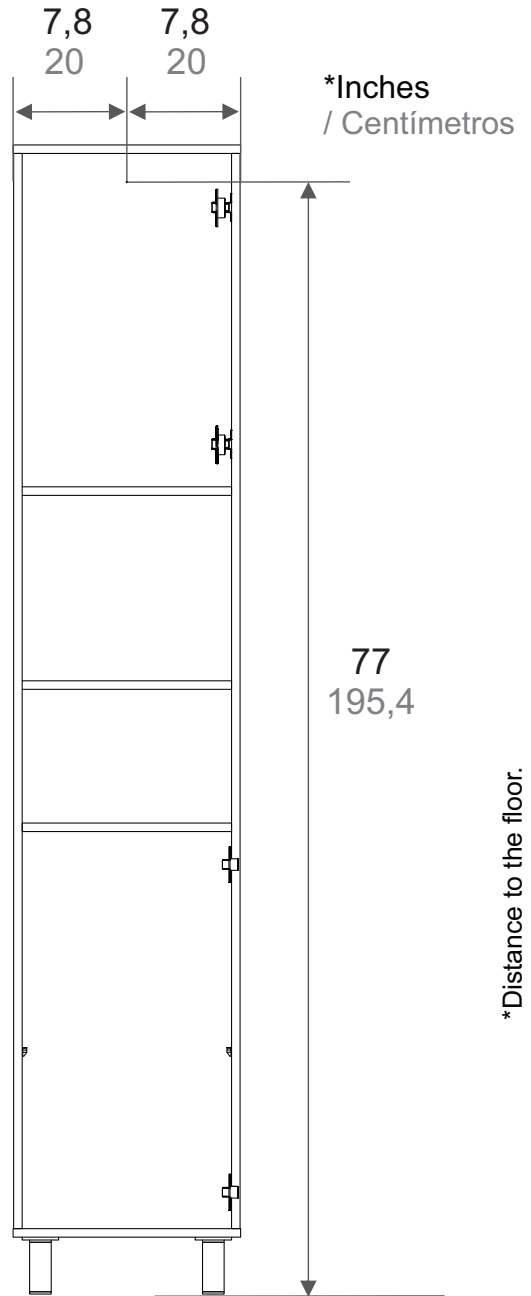
Por la seguridad del usuario se recomienda anclar el mueble a la pared.



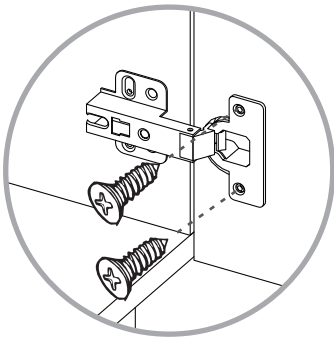
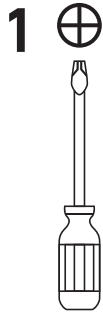
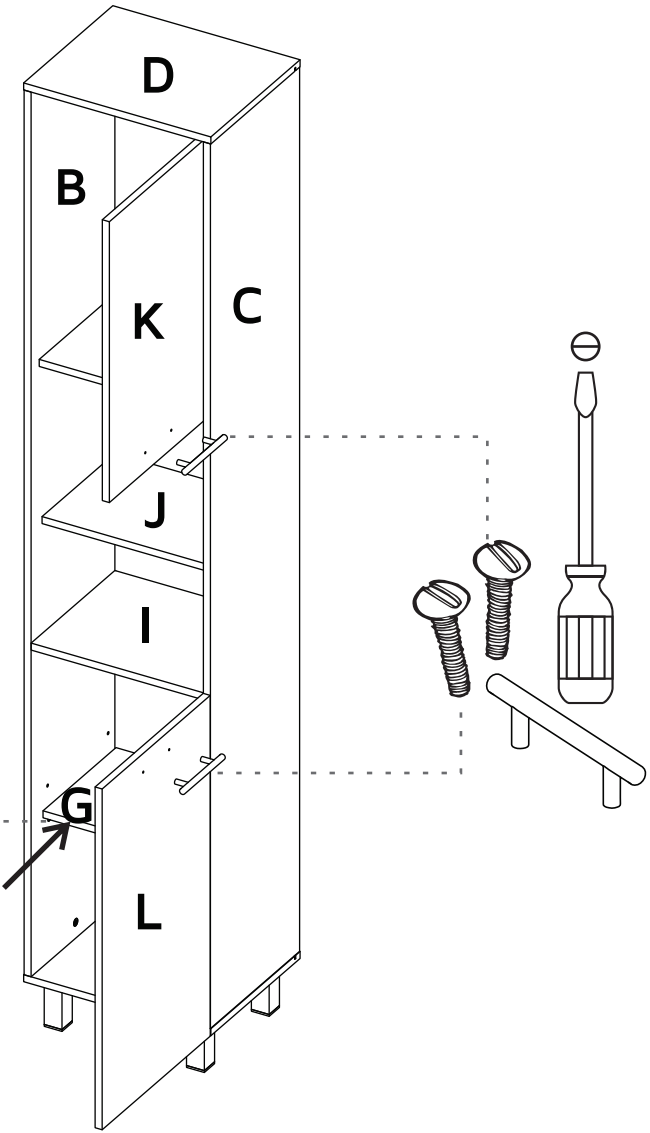
1
5/16 Drill bit.
Broca de 5/16".



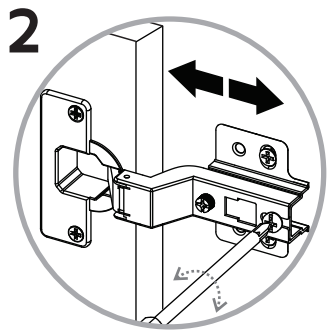
Wall
/ Pared



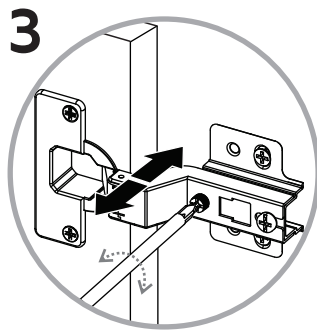
Slide the shelf inside the cabinet.
 Deslice el entrepaño dentro del mueble.



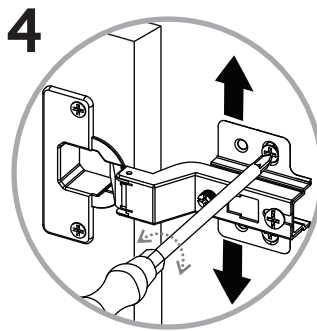
Hinge adjustment
 Ajuste de las bisagras



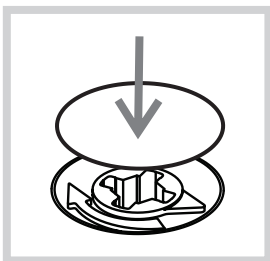
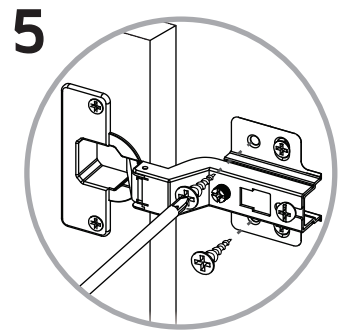
Depth adjustment
 Ajuste de Profundidad



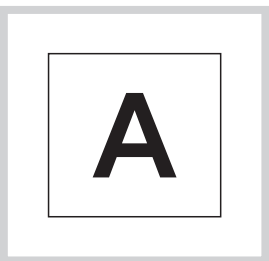
side adjustment
 Ajuste lateral



Height adjustmen
 Ajuste de altura



After you finish the adjustment of the cams, cover them with the cover caps.
 Después de ajustar todas las cajas minifix, cúbralas con las tapas adhesivas.



After you finish assembling the cabinet, take off the adhesive letters.
 Al terminar de armar, desprenda las letras adhesivas.

WARRANTY POLICY

PÓLIZA DE GARANTÍA

TUHOME Furniture has a 3 year warranty coverage in wooden parts and 1 year warranty coverage in hardware pieces since its manufacturing date, which you can see in the lot number printed on the product box and the assembly instructions leaflet.

Warranty covers materials and workmanship imperfections which impair the assembly or correct functioning of the cabinet.

This warranty is not valid if the defects or imperfections are caused by the incorrect following of the assembly instructions, warnings and recommendations, misuse, intentional damage, fire or flood, or after modifications or any kind of alteration, or repaired by someone not authorized by TUHOME Furniture, when it's been assembled 3 months after the date of purchase. These defects MUST be reported before the warranty coverage period ends. Once the product has been assembled, the company will not be responsible for defective and/or damaged parts.

This warranty is ONLY valid for the ORIGINAL PURCHASER, it doesn't apply if the product has been resold, rented, etc.

TUHOME Furniture will take no liability for incidental or consequential damages caused to or by the product (This may not apply in your state).

To make this warranty valid you must write to our customer service email describing the product defect, lot number and submitting your sales receipt or proof of purchase, or contact us at our customer service line. Replaced parts will be under the product's original warranty coverage period. Damaged parts will become property of the company.

There are no other warranties applicable to this product.

**IF ANY PARTS ARE BROKEN OR MISSING PLEASE
CONTACT US AT: 1-888-391-01-66 /
customerservicetuhome@rta.com.co
OUR CUSTOMER SERVICE TEAM WILL PROVIDE
YOU HELP TO RESOLVE ANY ISSUES IMMEDIATELY**