

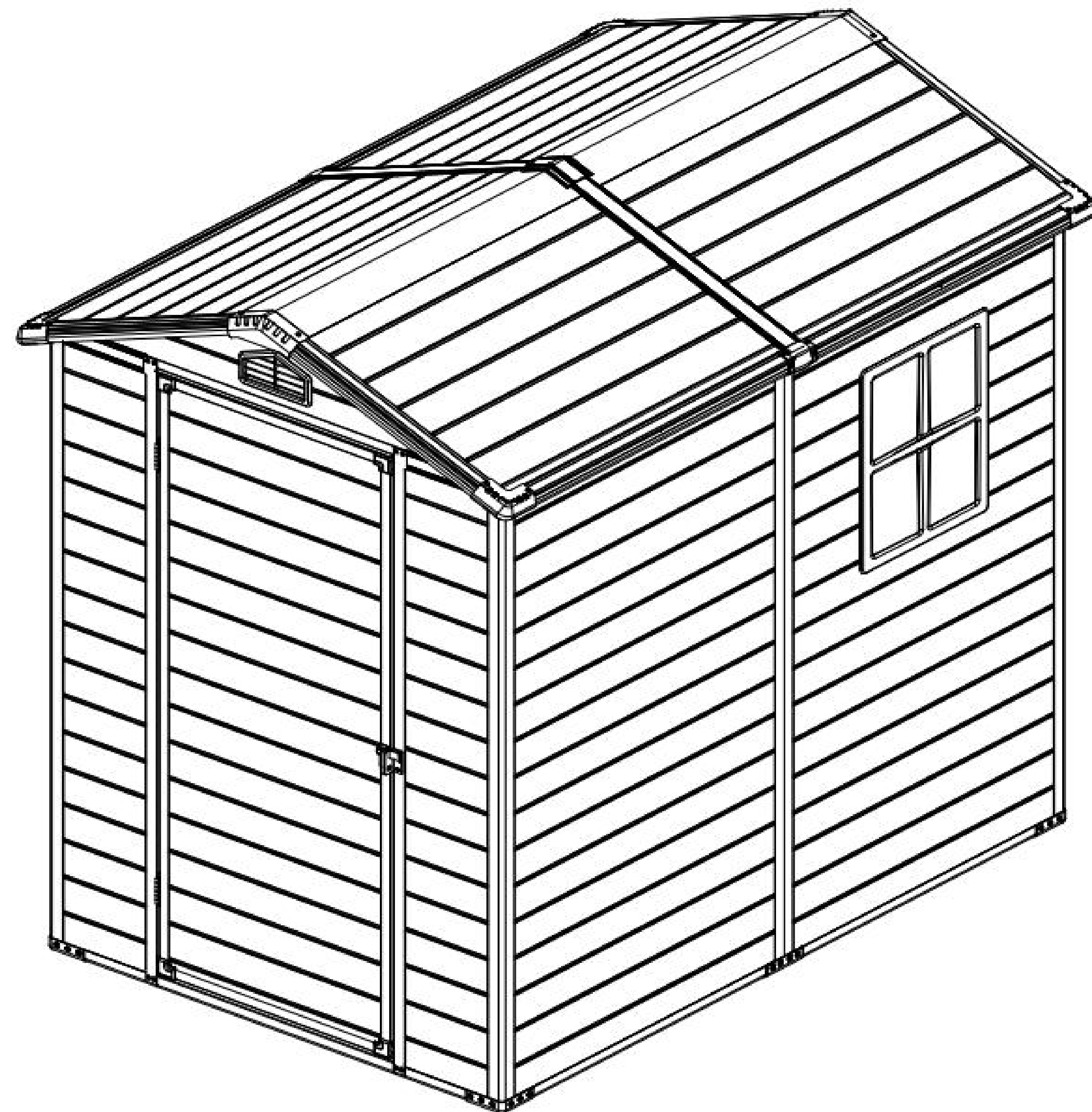
# Resin Garden Shed

## OWNER'S MANUAL

### Instructions for Assembly

---

**SLD-A64-V3**



Requires three people and take 3-4 hours for installation.  
Quick & Easy assembly. Ridge Reinforced Walls.  
Available in Various Sizes.

# BEFORE YOU START

## Owner's Manual

Prior to installation, it is important that you contact your local government authority to determine if building approval is required. Study and understand this owner's manual. Important information and helpful tips will make your construction easier and more enjoyable.

## Assembly instructions

Instructions are supplied in this manual and contain all appropriate information for your building model. Review all instructions before you begin. During assembly, follow the step sequence carefully for correct results. Please be aware: **this unit takes two people about one full day to complete.**

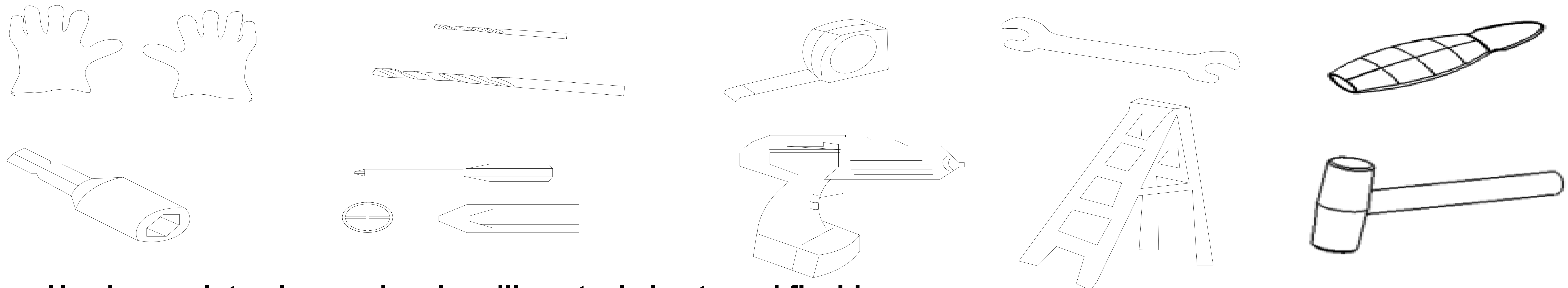
## Parts

Check to be sure that you have all the necessary parts for the building.

Separate contents of the carton by the part number while reviewing parts list.

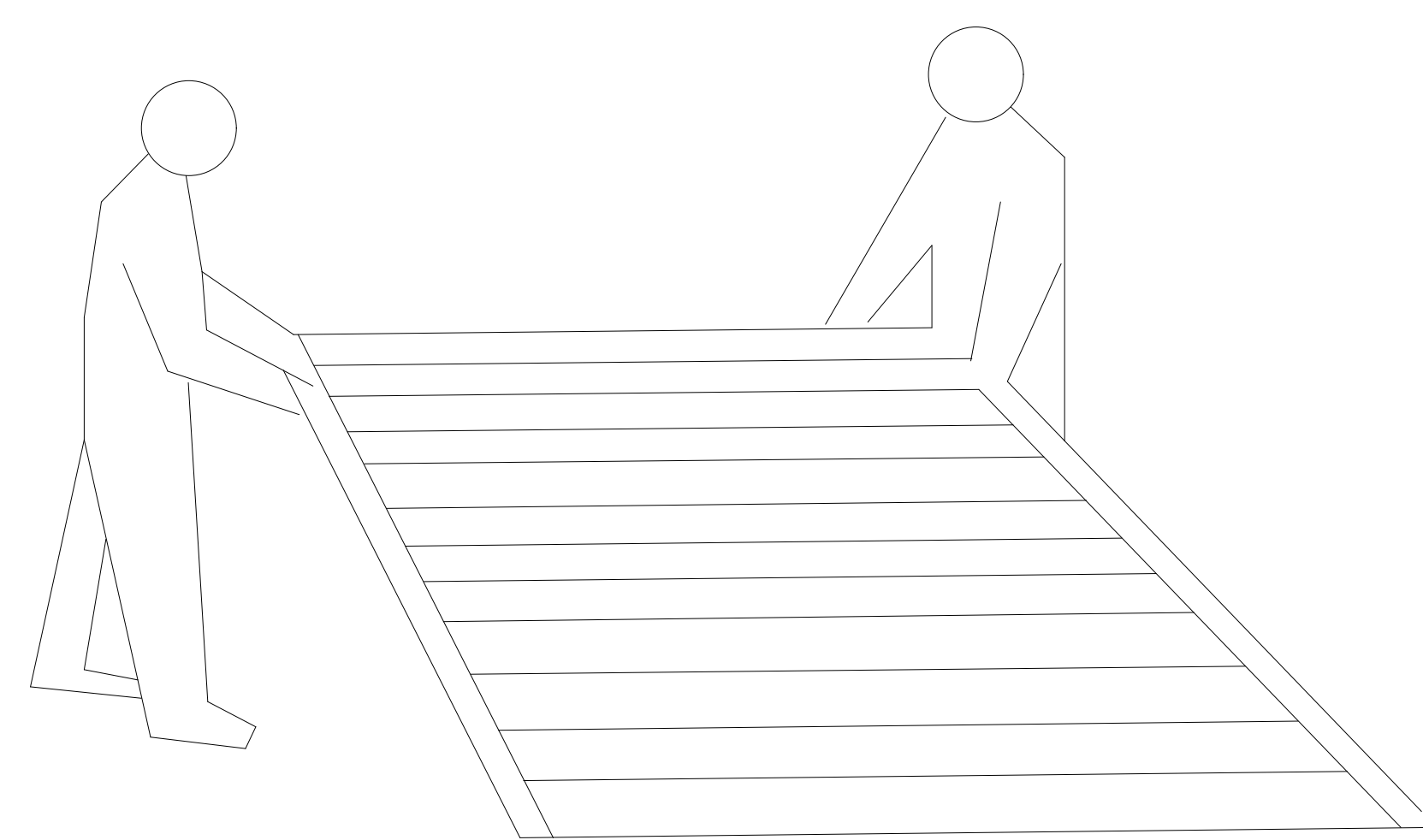
Familiarize yourself with the hardware and fasteners for easier use during construction. These are packaged within the carton. Note that extra fasteners have been supplied for your convenience.

## TOOLS MAY REQUIRED



**Use heavy duty gloves when handling steel sheets and flashing**

## PLAN AHEAD



### Watch the weather:

Please be sure the day you select for installation is dry and calm.

**DO NOT attempt to assemble your shed in windy weather** because of risk of damage to panels, or personal injury. Be careful of wet or muddy ground.

### Teamwork:

Whenever possible, two or more people should work together to assemble the building. One person can position parts or panels

# PLAN AHEAD

---

## Site Selection

- Avoid overhanging trees as much as possible as leaves will make regular cleaning necessary and broken branches are a potential hazard.
- Small trees, bushes or fences nearby can be helpful, acting as a wind break.

If a concrete pad is made, it is important that this slopes towards the edges to prevent water ingress. Time must be allowed for any concrete or cement to dry before building the shed on top.

## Site Preparation

The site must be prepared so that the base of the shed is level all round and checking with a spirit level is required.

The base can be constructed by treated timber or concrete, in order to stop the moisture getting into the shed. **The shed is not designed to be built onto lawn directly.** Also the ground will get muddy during rainy days.

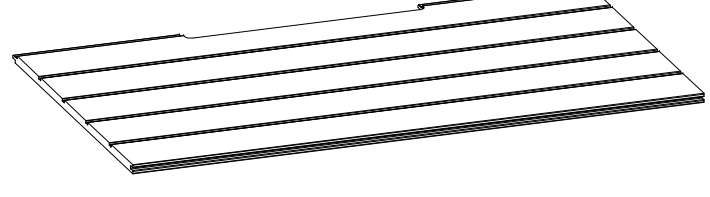
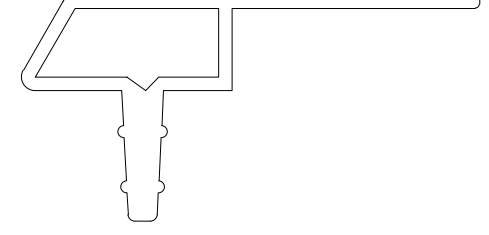
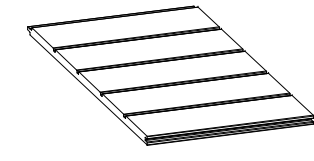

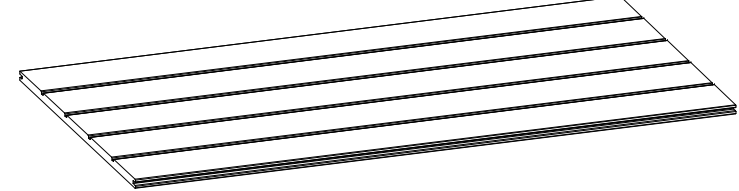
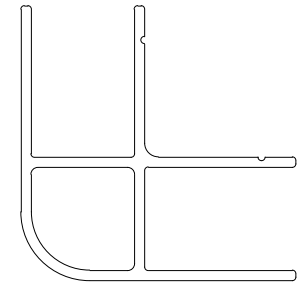
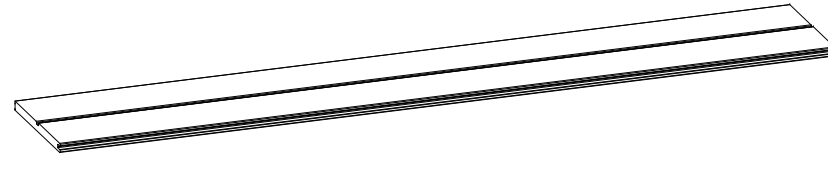
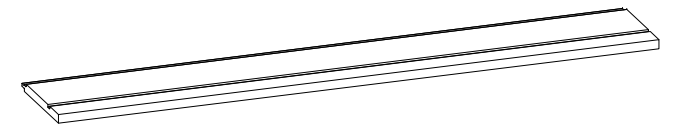
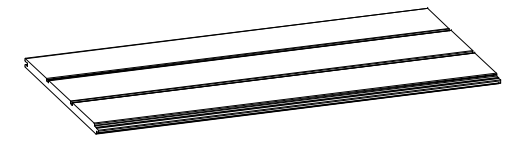
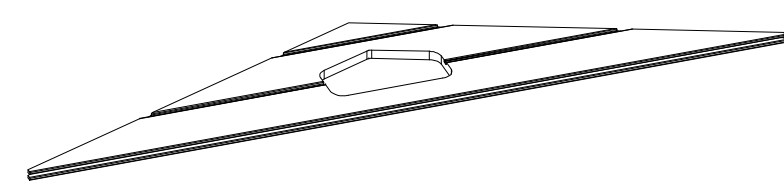
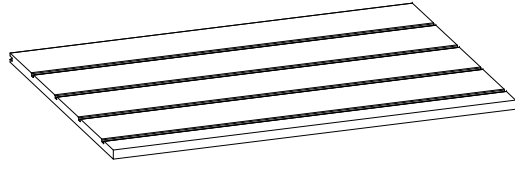
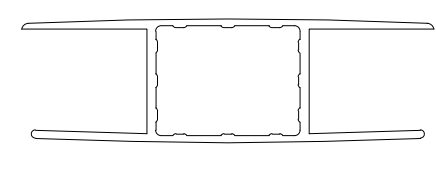
Bases can also be constructed from bricks, blocks, or mounted on a concrete pad. The bricks or blocks should be cemented onto firm and level concrete footings and the greenhouse frame drilled and screwed to the base.

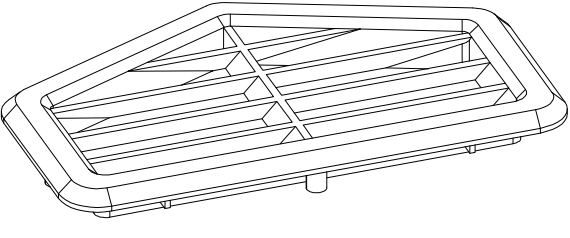
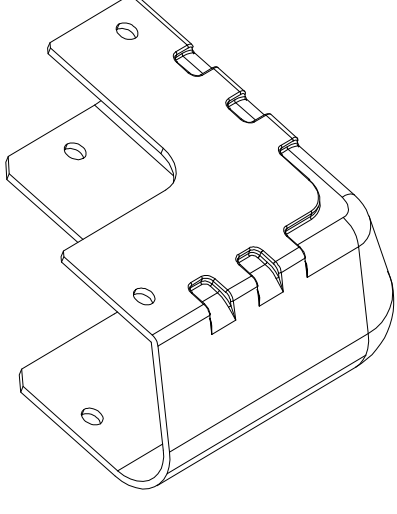
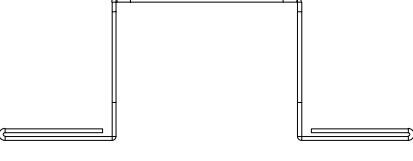
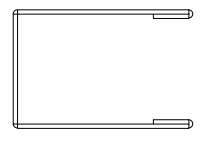
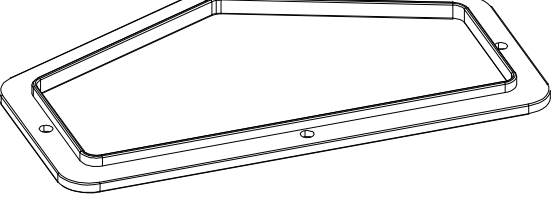
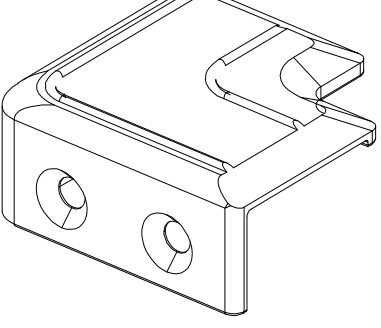
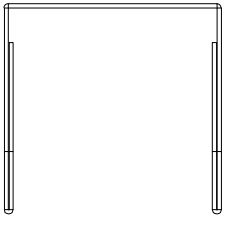
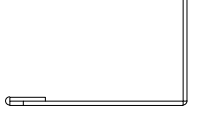
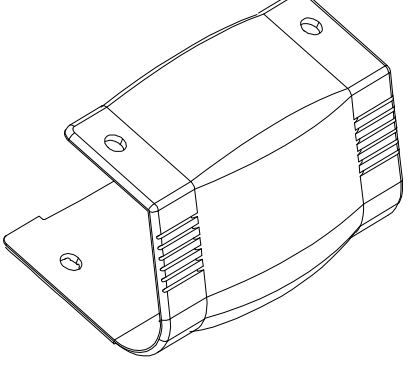
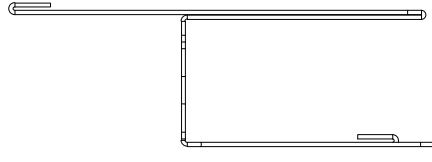
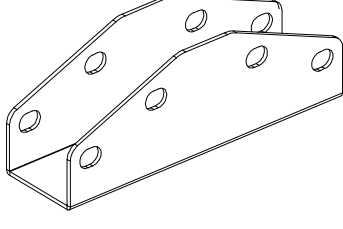
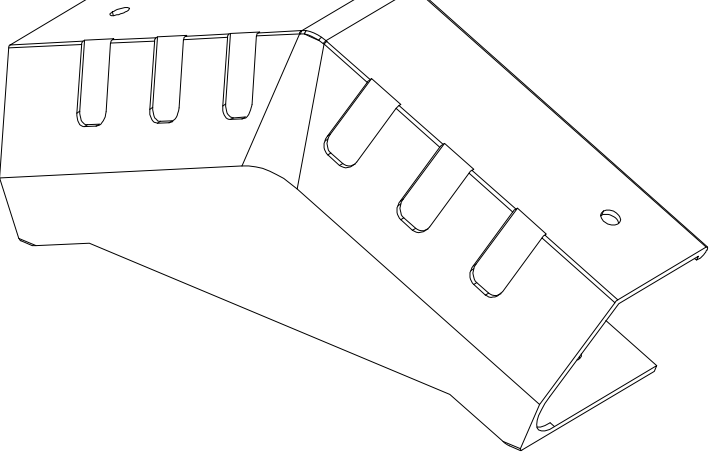
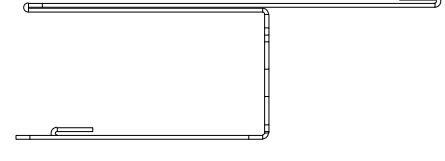
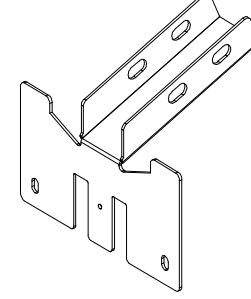
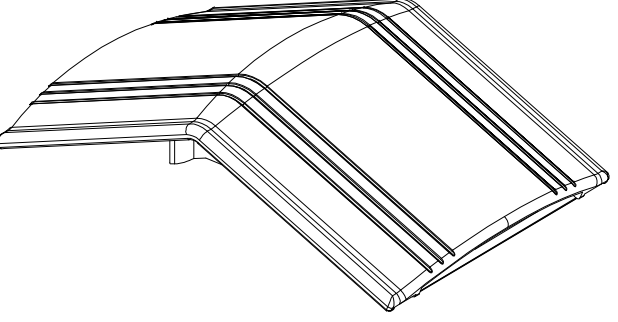
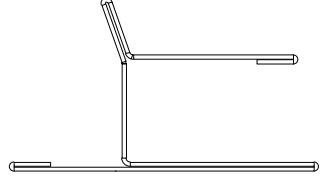
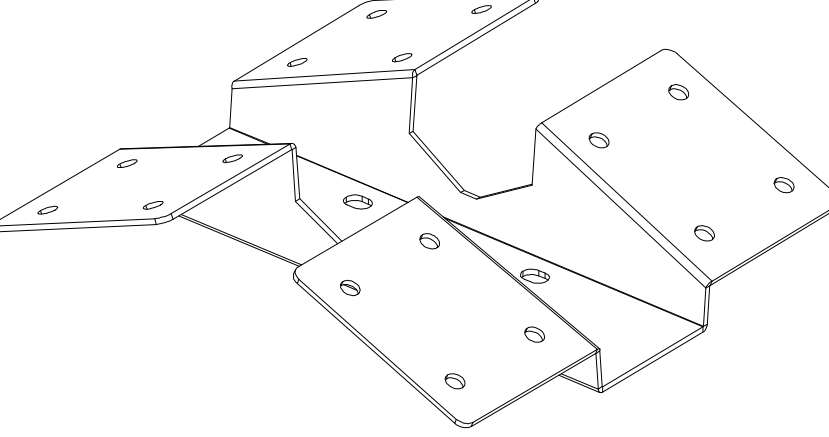
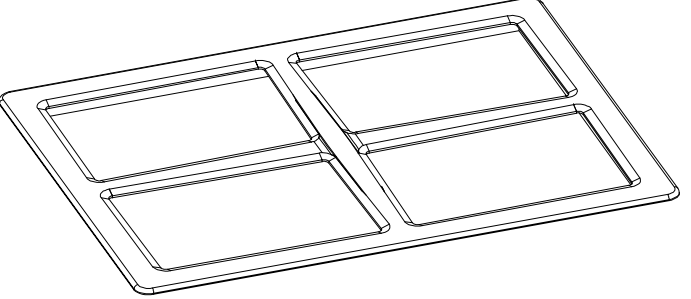
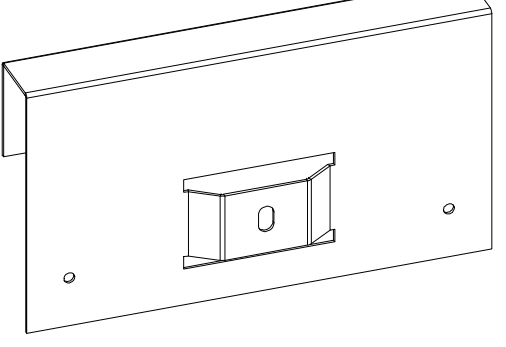
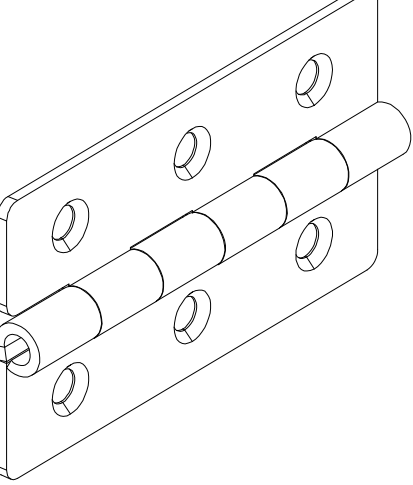
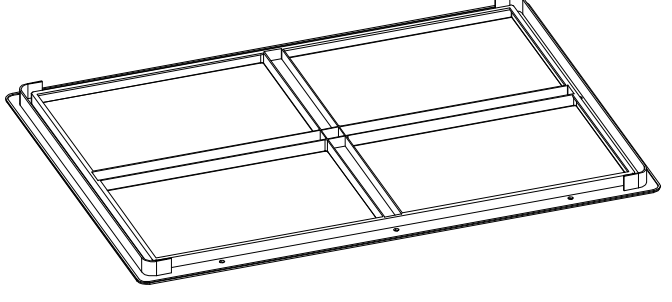
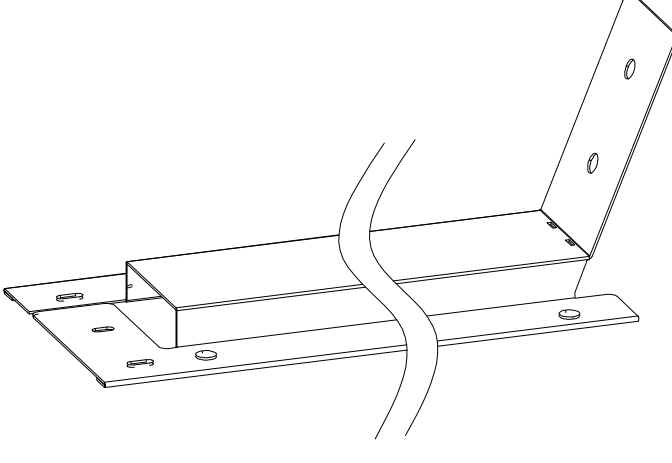
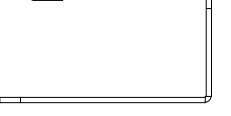
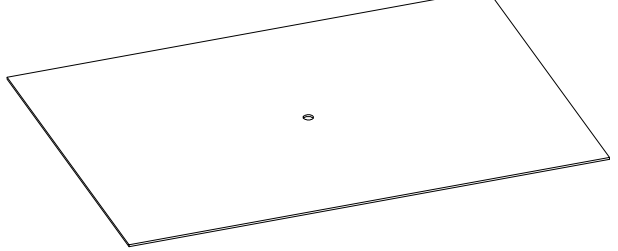
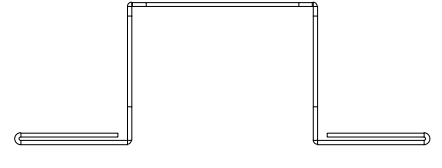
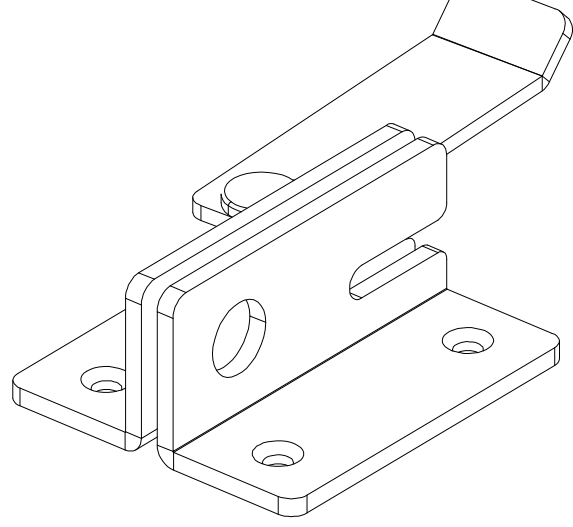
---

## IMPORTANT NOTES:

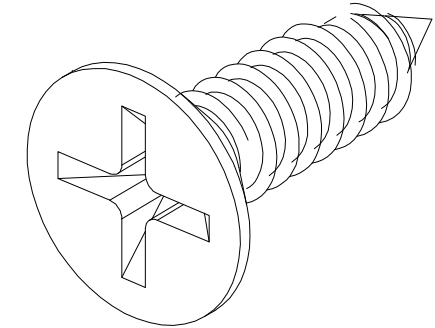
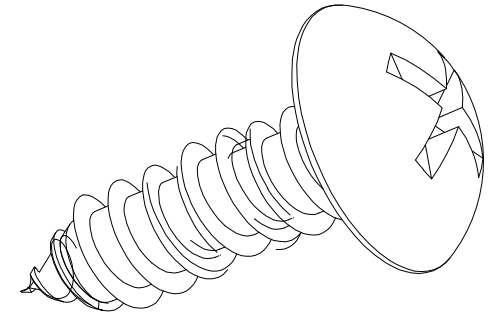
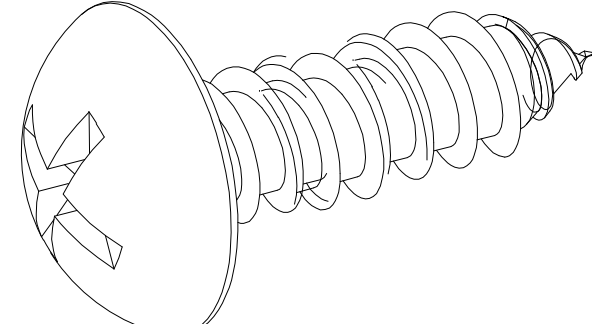
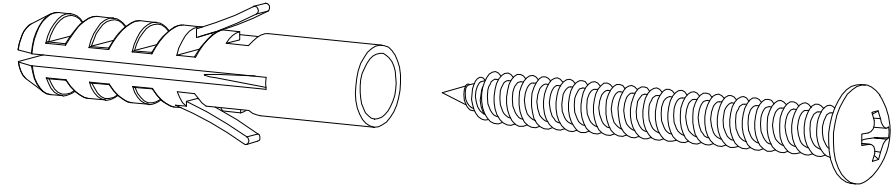
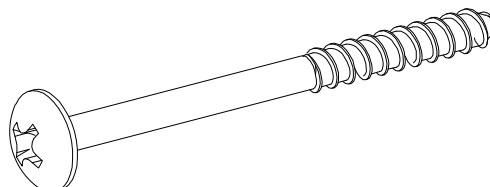
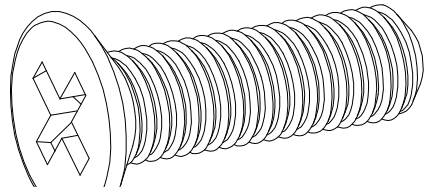
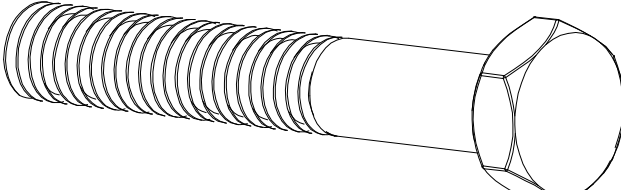
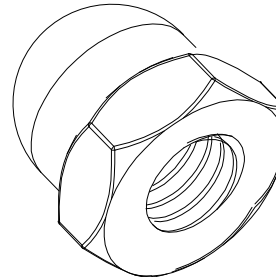
---

- Find someone to help you: it is much easier with someone to hold parts, pass tools ect. Also some steps require two people to lift structures together. This is not very heavy work so would suit most able-bodied people.
- Allow plenty of time: rushing often causes errors and the re-doing of incorrect assemblies. If you have never built a shed before, it can take most of a day to carefully complete the construction.
- Have the right tools to hand.
- Safety clothing as recommended in the 'Tools' section.
- Ideally lay out the parts and check that all are present before commencing construction. Lay on cloths or plastic sheets if there is any risk of scratching the parts.
- Tighten all nuts carefully, being sure not to miss any. Check the frame is square and using a spirit level to check that it is upright.

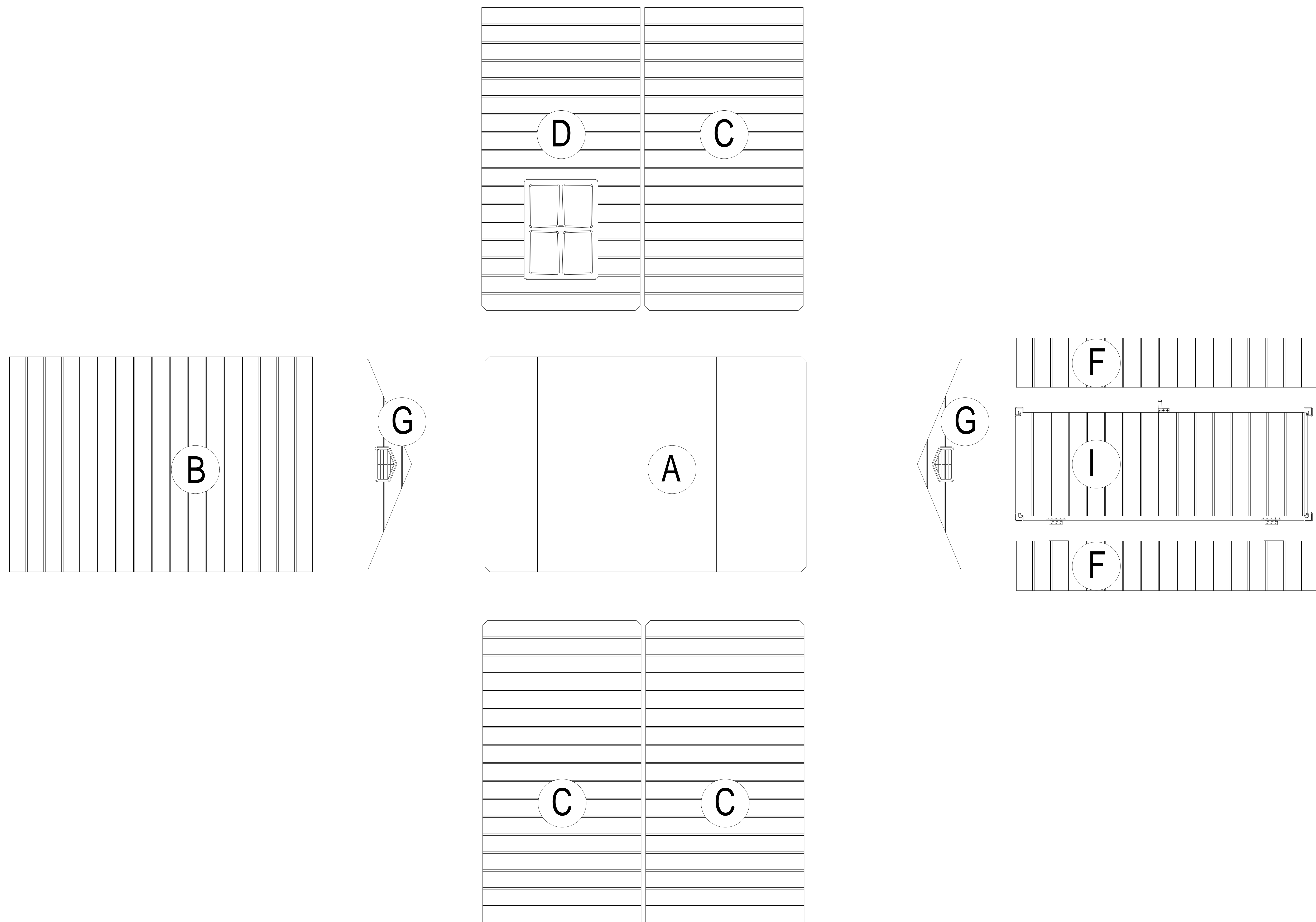
A64-C01		x 1	A64-C08		x 4	A64-C20		x 2	A64-C17		x 4
A64-C02		x 5	A64-C09		x 1	A64-C21		x 4	A64-C17-1		x 4
A64-C03		x 1	A64-C10		x 2	A64-C22		x 1	A64-C14		x 2
A64-C06		x 2	A64-C11		x 10	A64-C23		x 1	A64-C18		x 4
A64-C07		x 6	A64-C15		x 4	A64-C19		x 4	A64-C24		x 2
A64-C12		x 1	A64-C16		x 4	A64-C26		x 1	A64-C18-1		x 4
			A64-C04		x 4	A64-C27		x 2	A64-C30		x 2
A64-C13		x 2	A64-C05		x 1	A64-C25		x 2	F35-C27		x 4

A64-C32		x 2	F35-C30		x 4	A64-A08		x 2	A64-A02		x 1
A64-C33		x 2	F35-C29		x 4	A64-A09		x 2	A64-A05		x 1
A64-C31		x 2	A64-A01		x 1	A64-A10		x 2			
A64-C29		x 2	A64-A03		x 1	A64-A11		x 4			
A64-C34		x 1	A64-A04		x 1	A64-A13		x 1			
F35-C31		x 1	A64-A12		x 4	A64-A15		x 2			
F35-C32		x 1	A64-A14		x 2	A64-A06		x 2			
F35-C33		x 1	A64-A07		x 2	F35-D02		x 1			

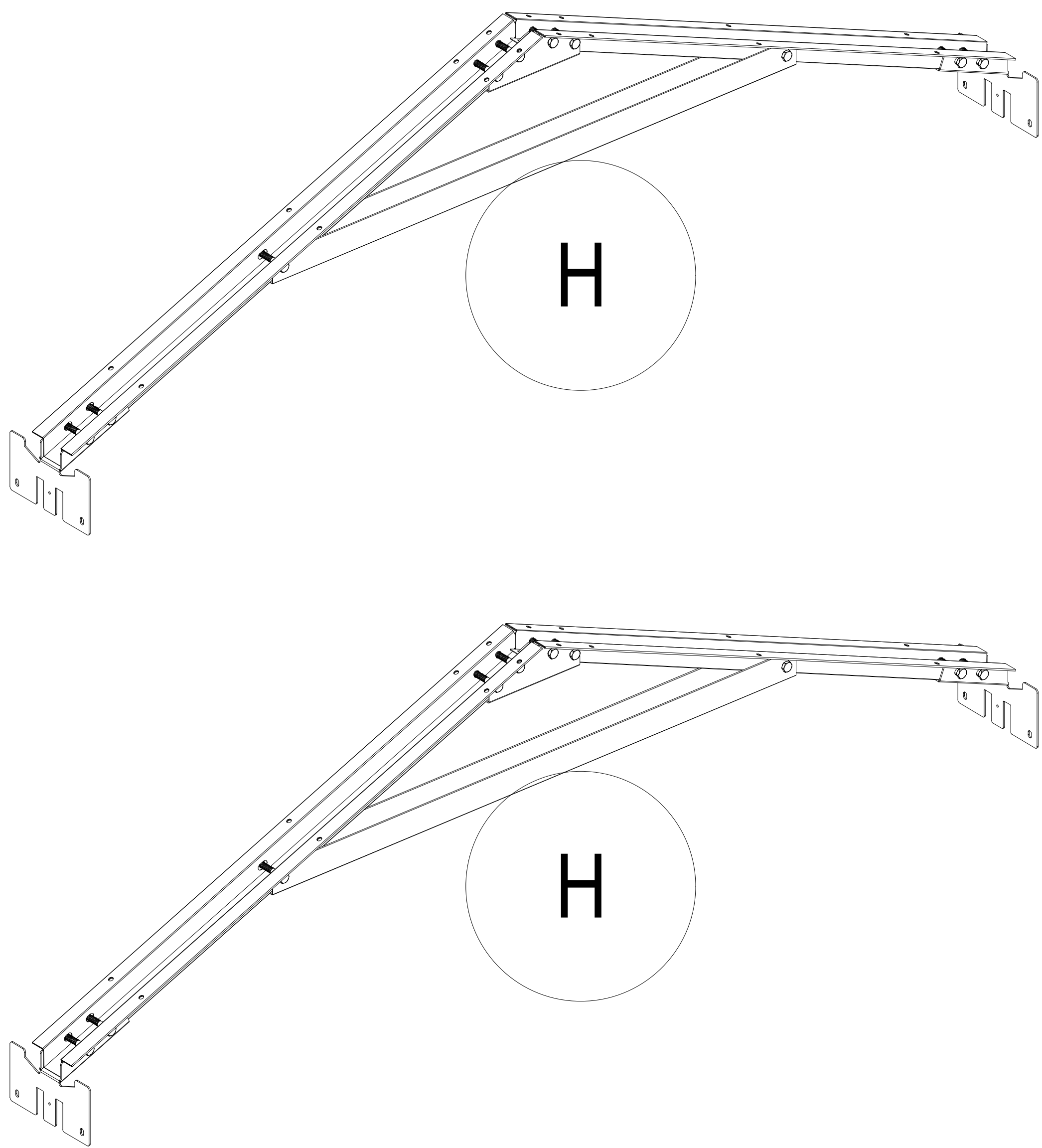
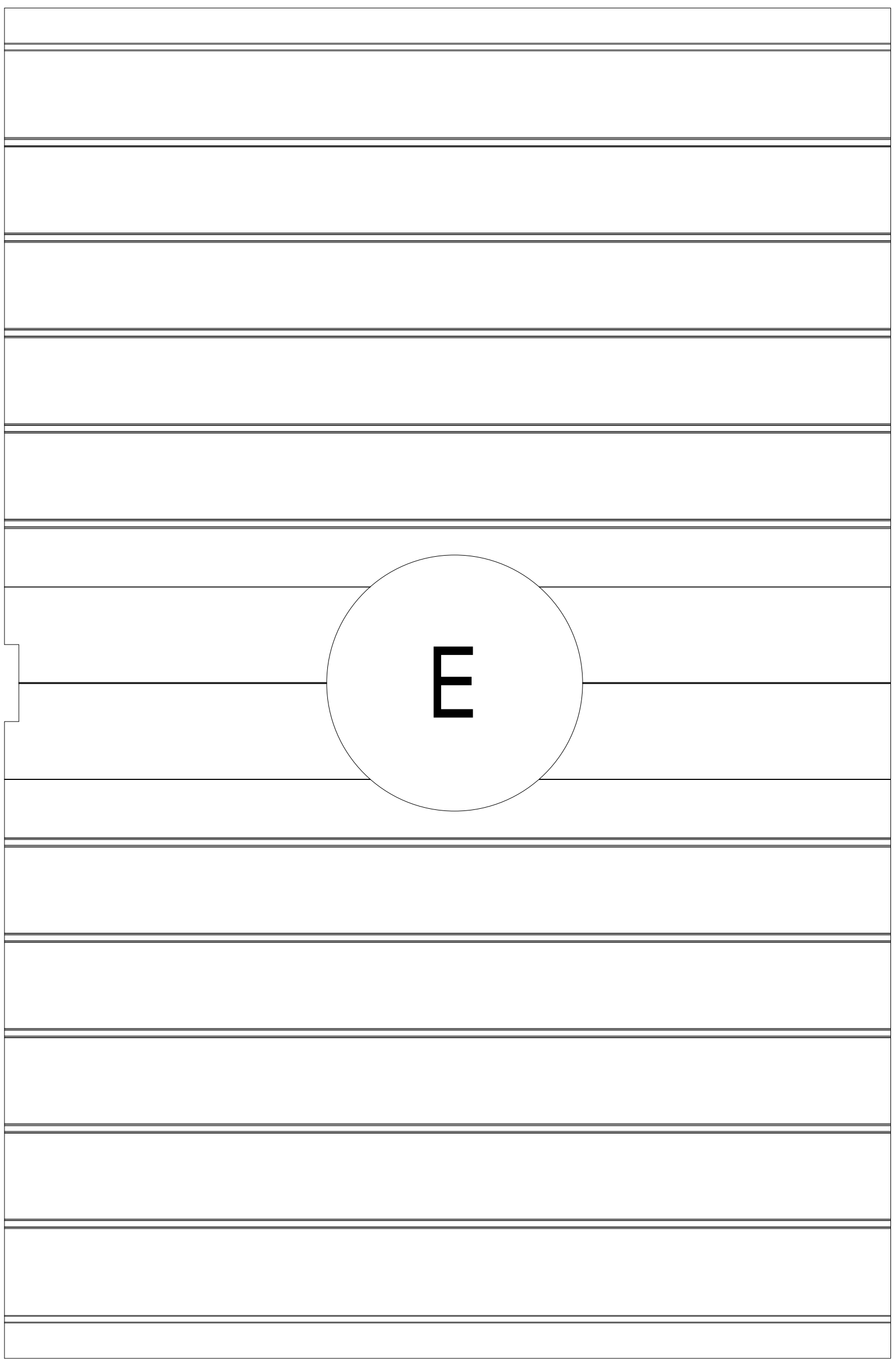
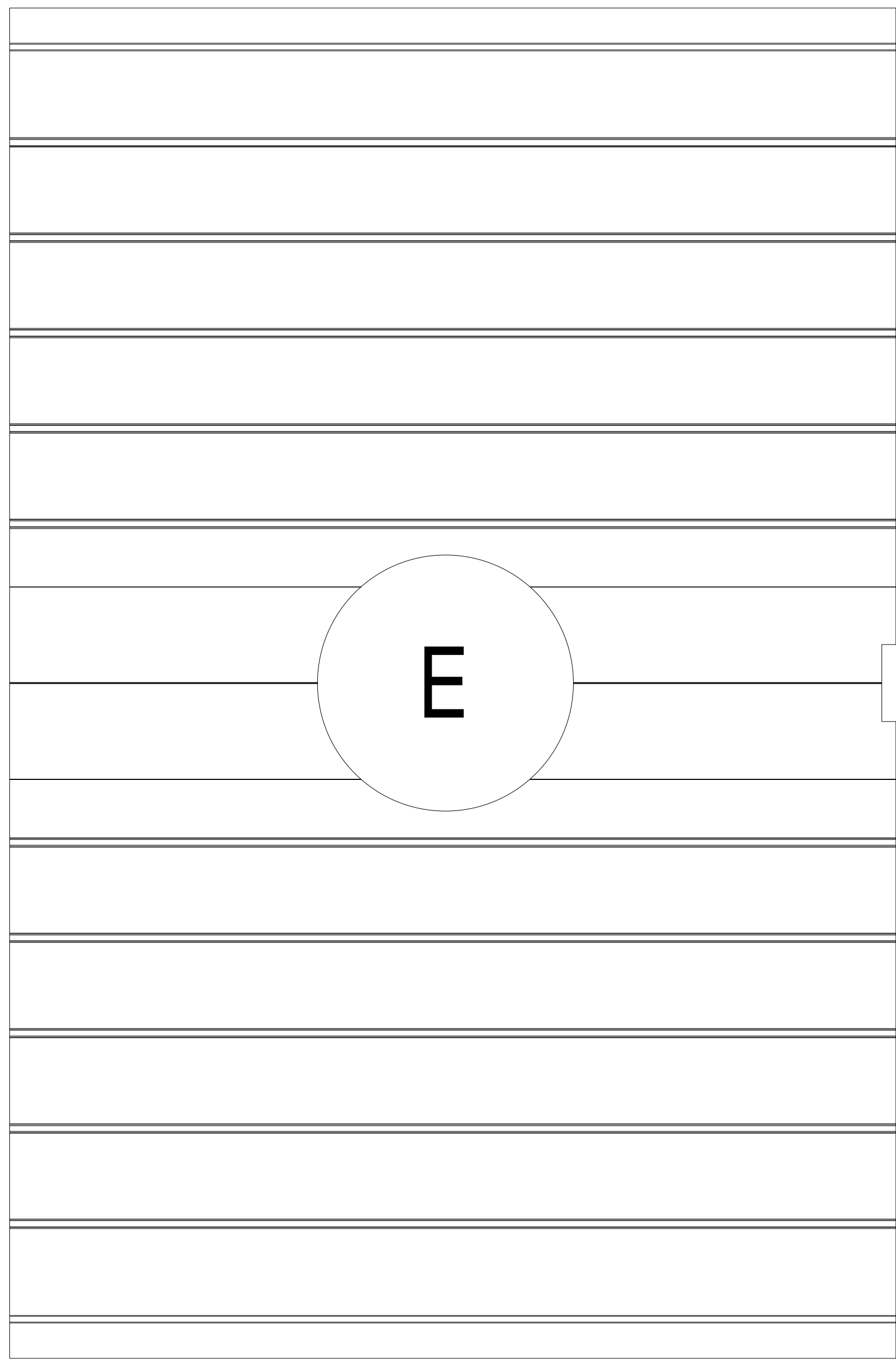


E01		x 20				
E02		x 358				
E03		x 32				
E04		x 6				
E07		x 4				
E12		x 12				
E08		x 20				
E09		x 20				

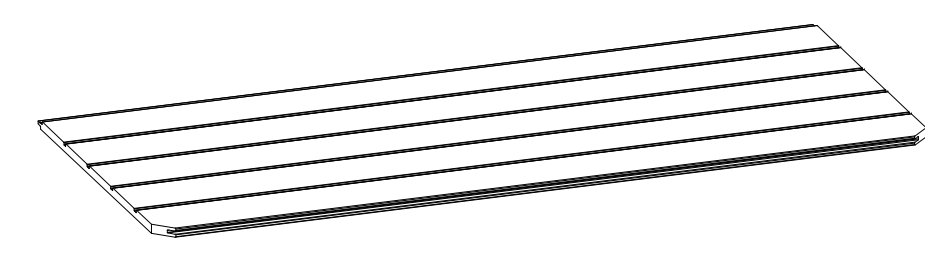
# Pre-installed Exploded View I



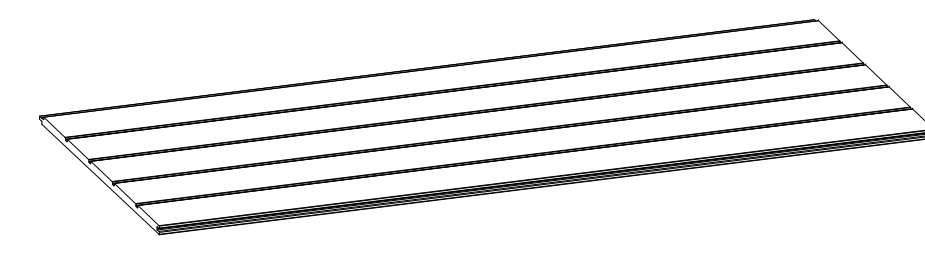
# Pre-installed Exploded View II



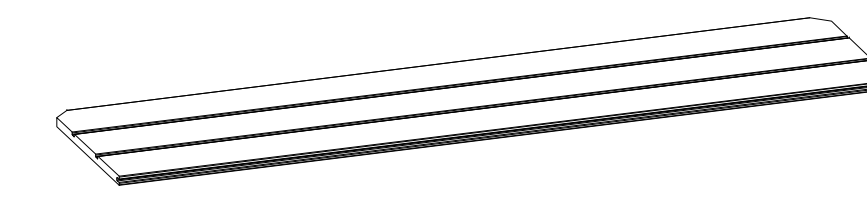




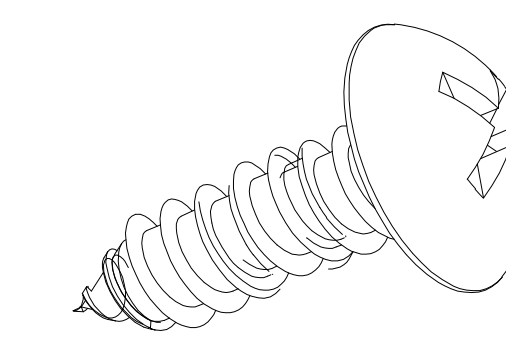
A64-C01 x1



A64-C02 x2



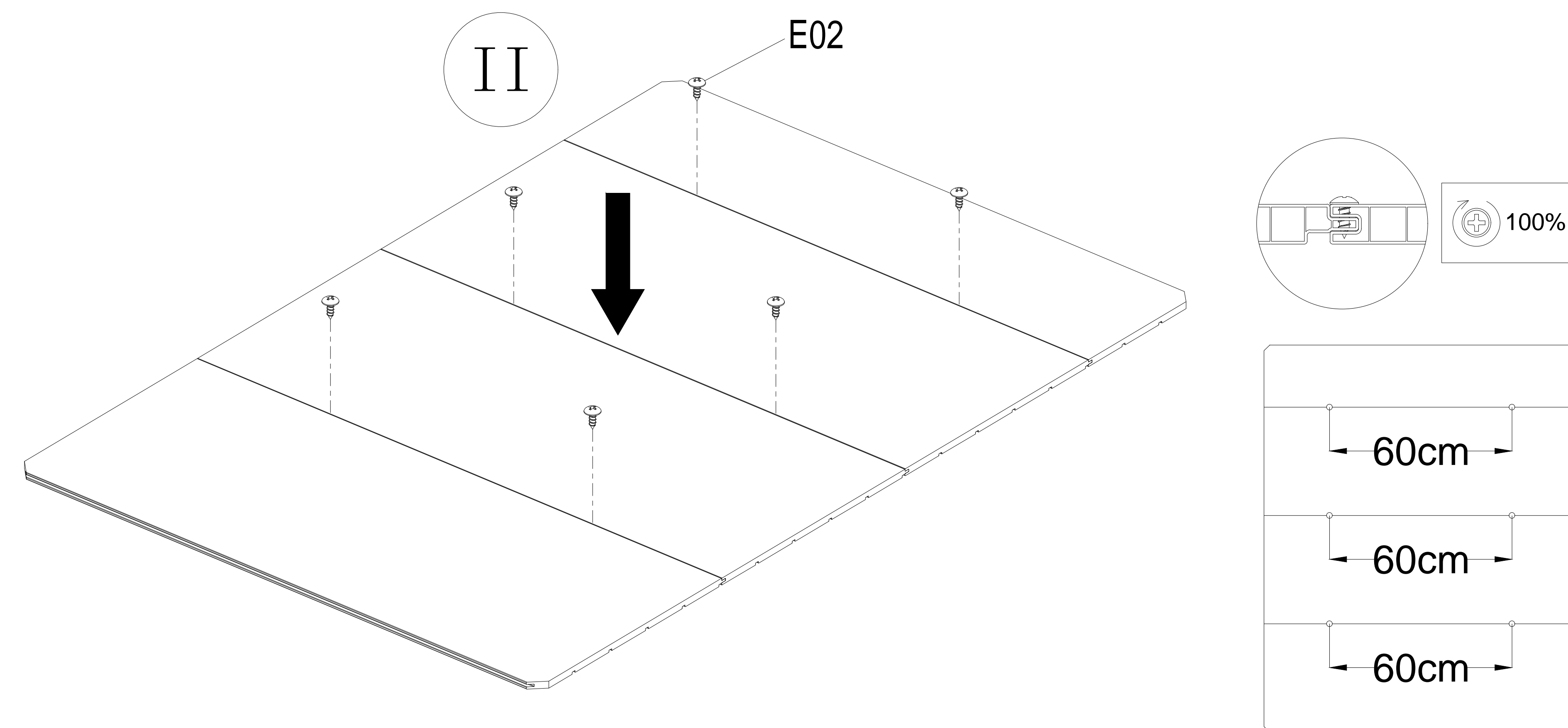
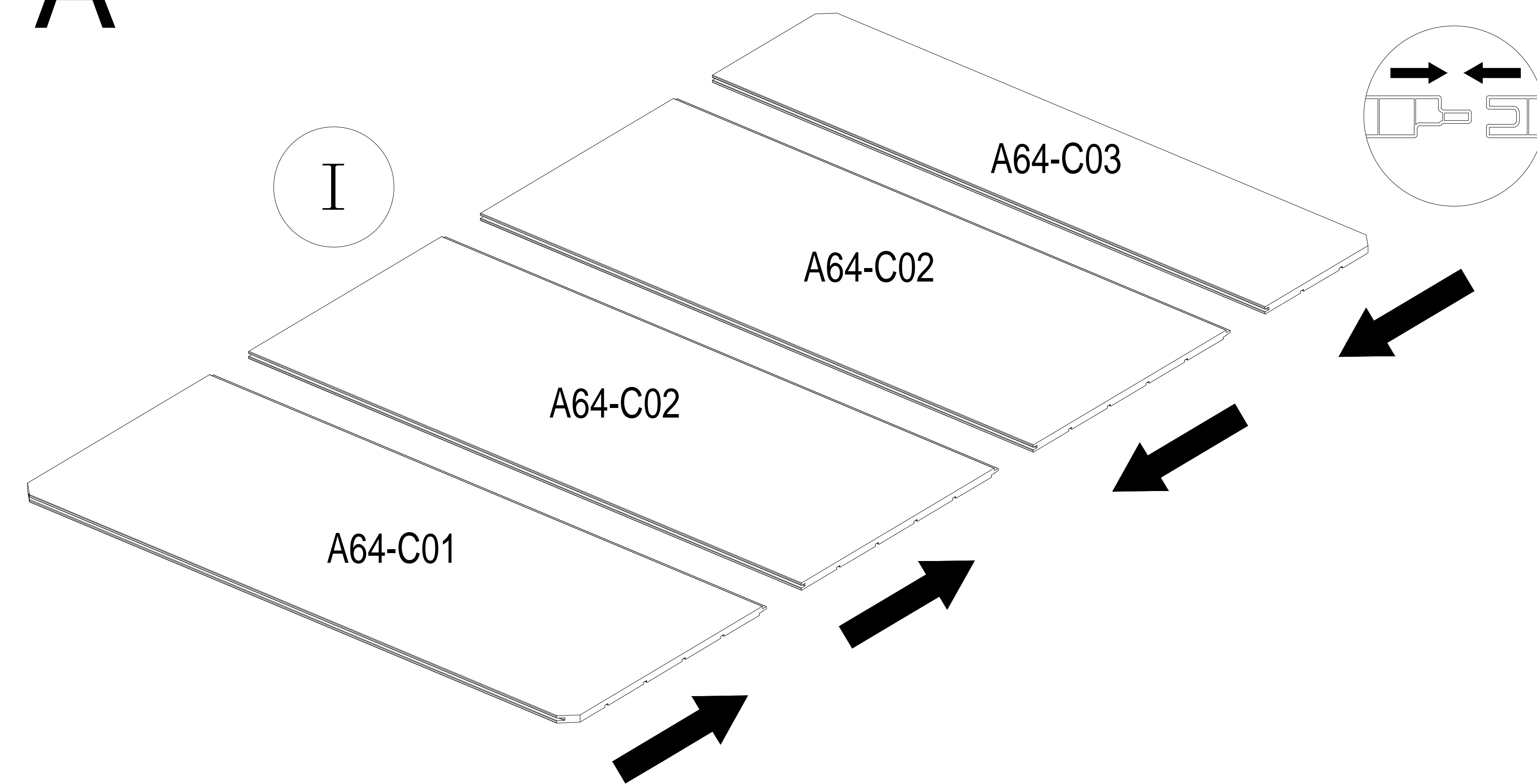
A64-C03 x1

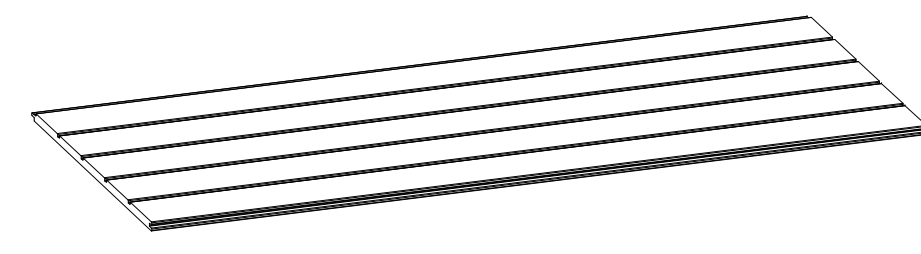


(ST4.2x12)  
E02x6

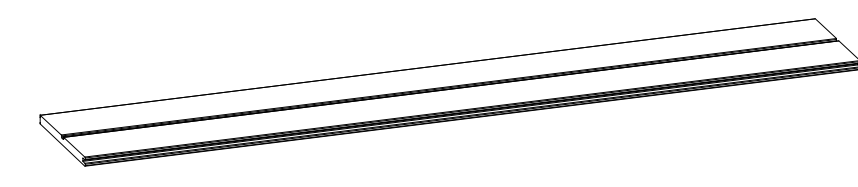
## Pre-installed Basement

# A

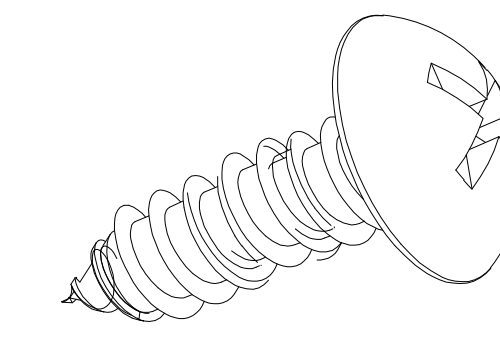




A64-C02x3



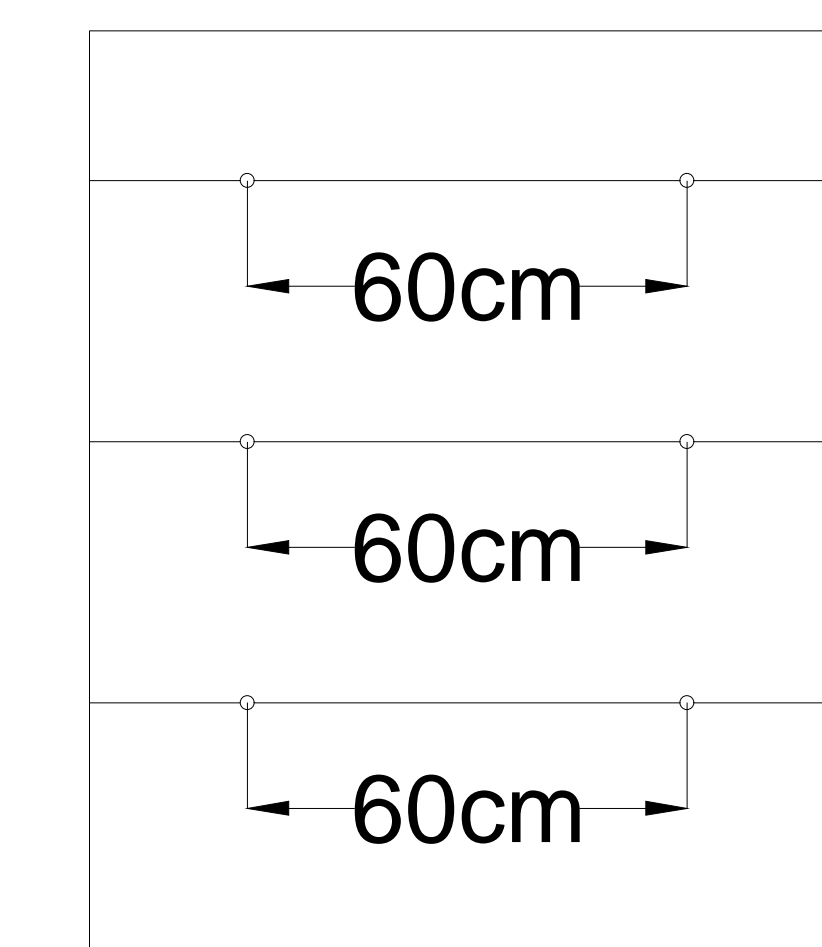
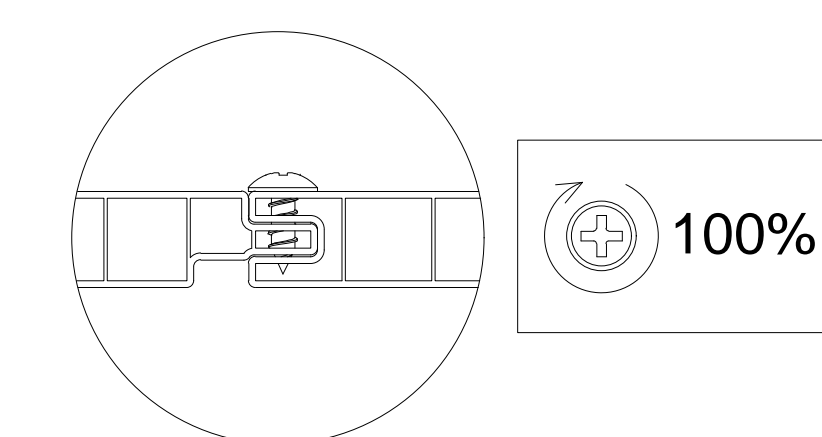
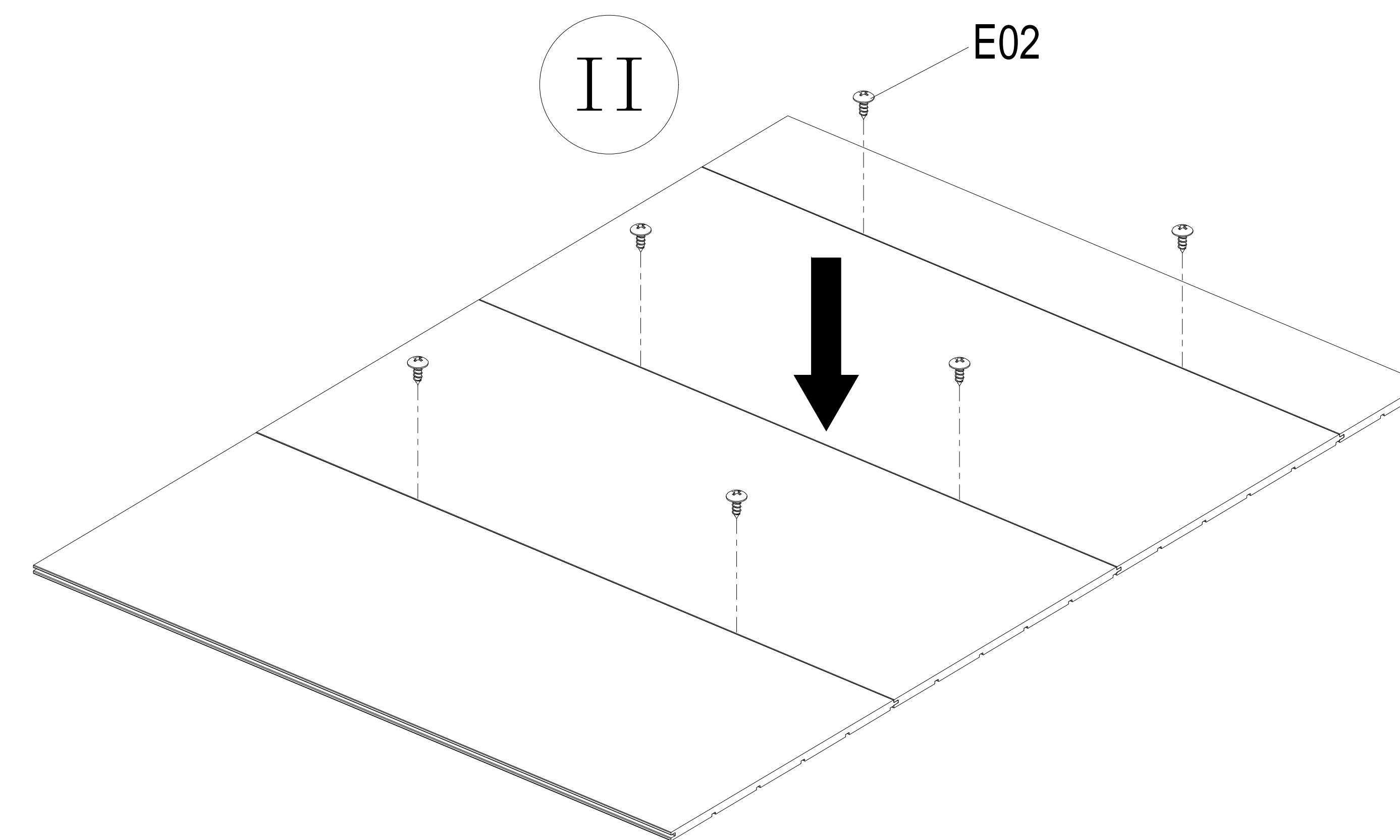
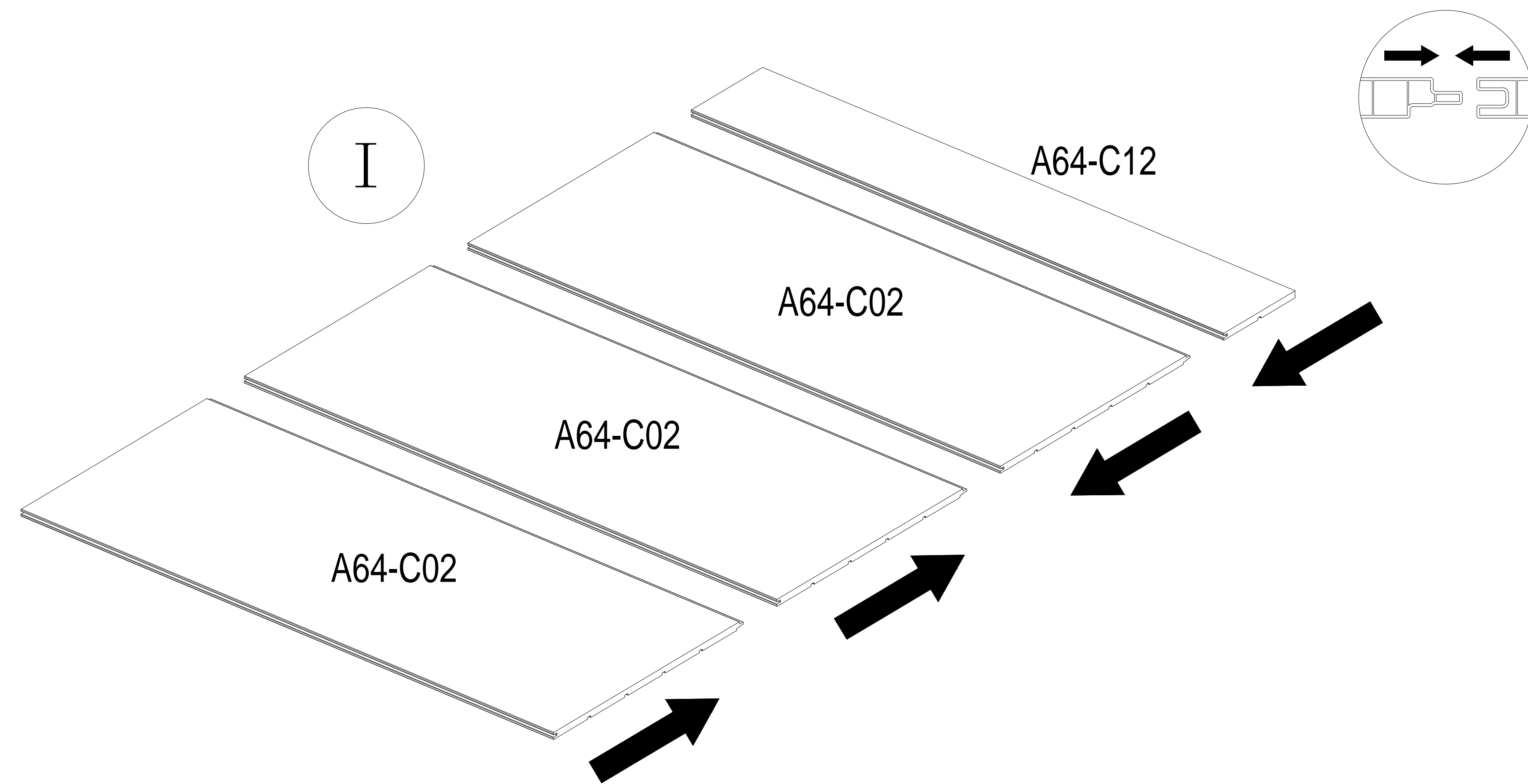
A64-C12 x1

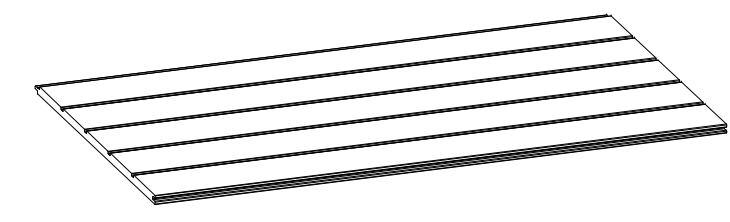


(ST4.2x12)  
E02x6

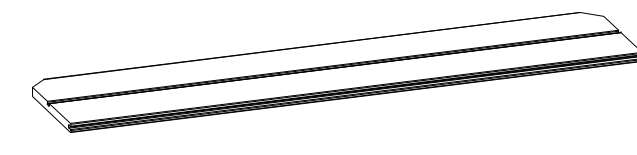
# Pre-installed Back wall

## B

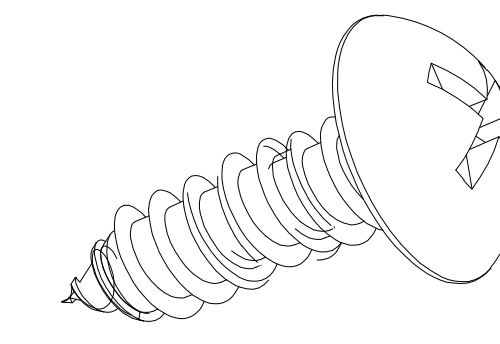




A64-C11x9



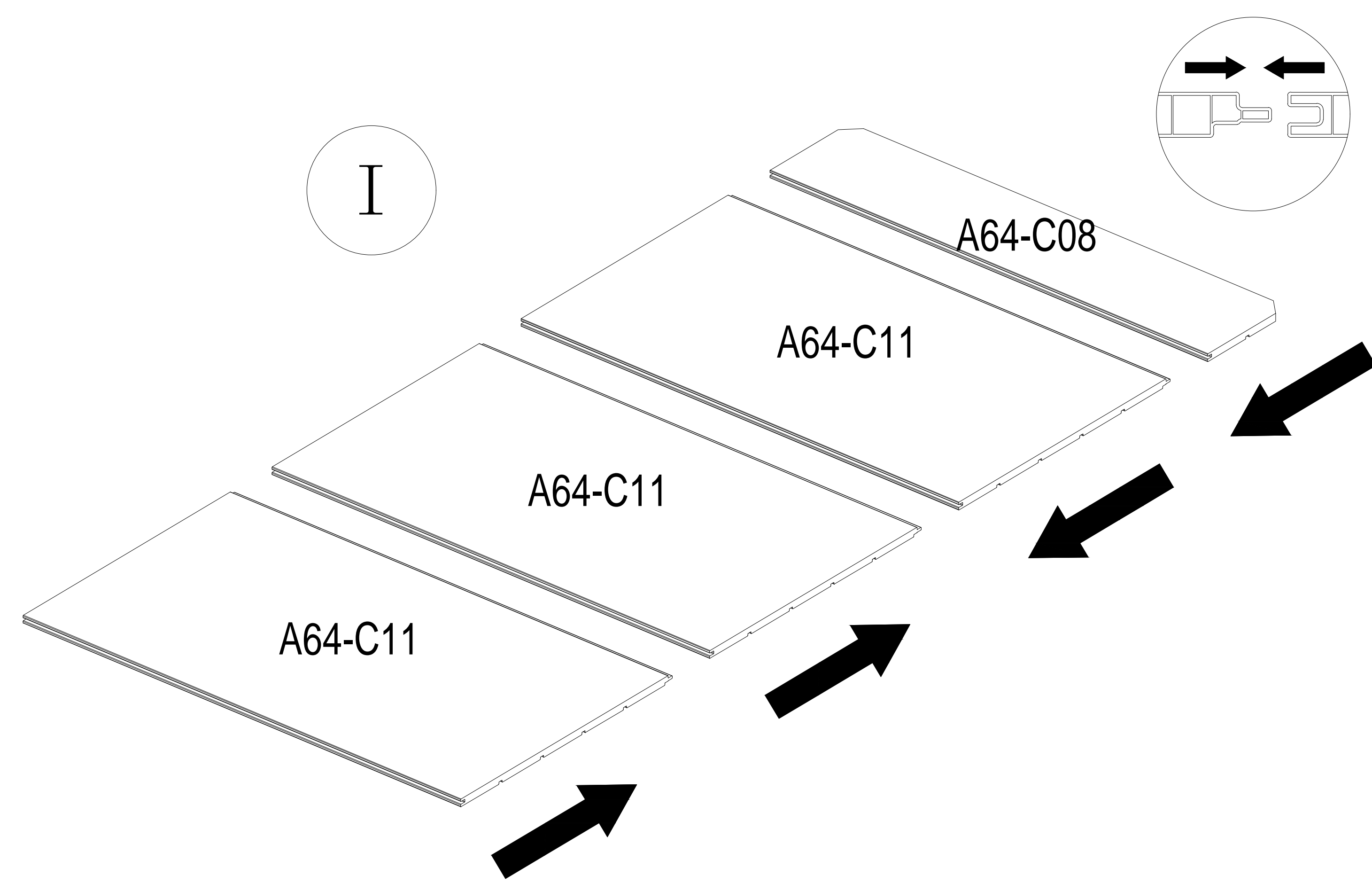
A64-C08 x3



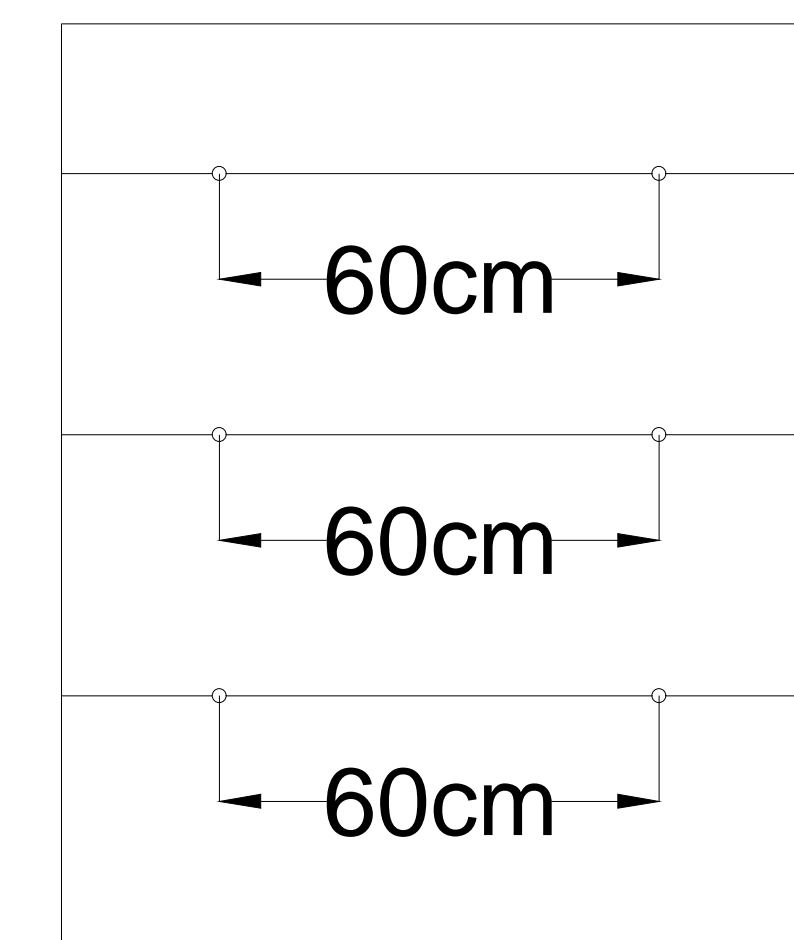
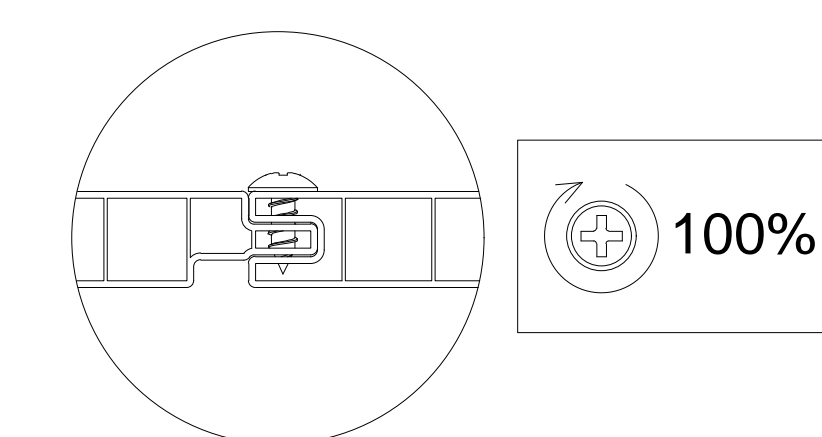
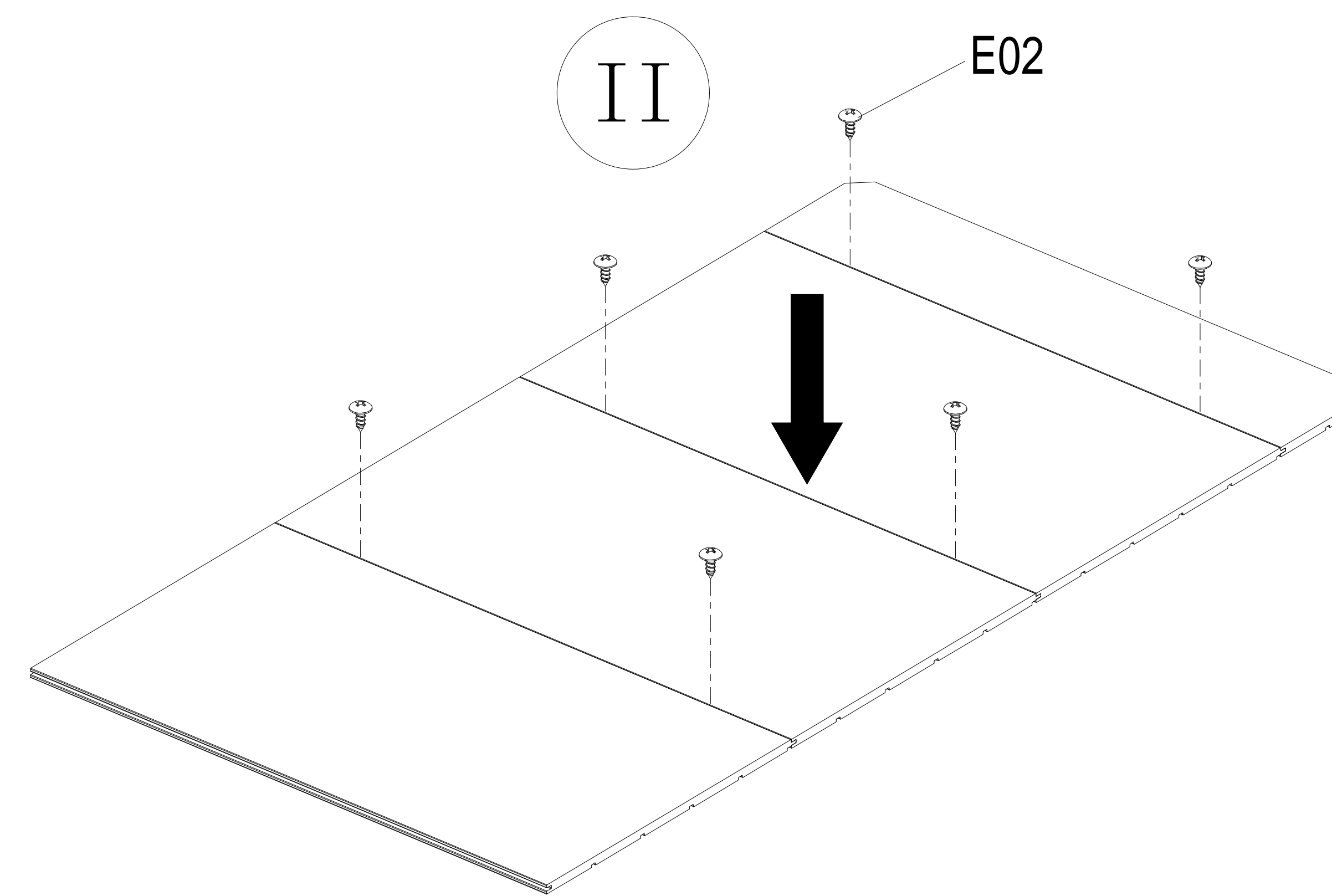
(ST4.2x12)  
E02x18

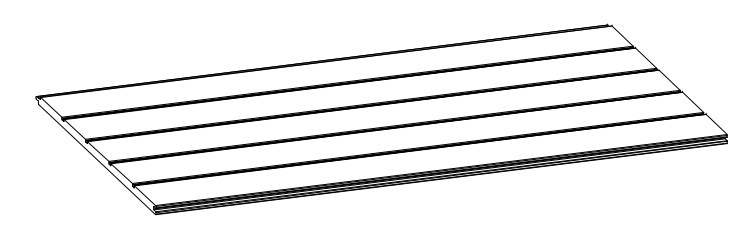
# Pre-installed Side wall

## C

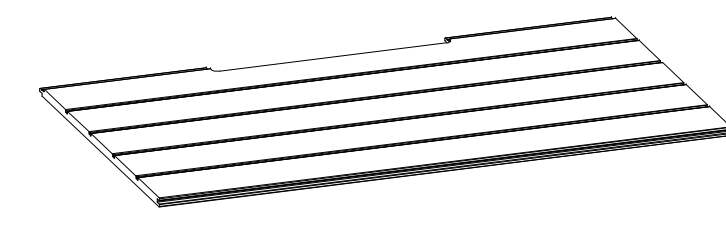


x3

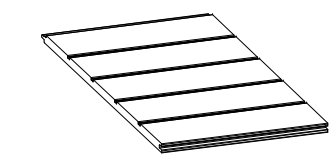




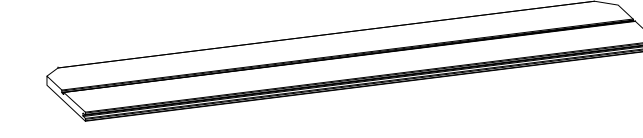
A64-C11x1



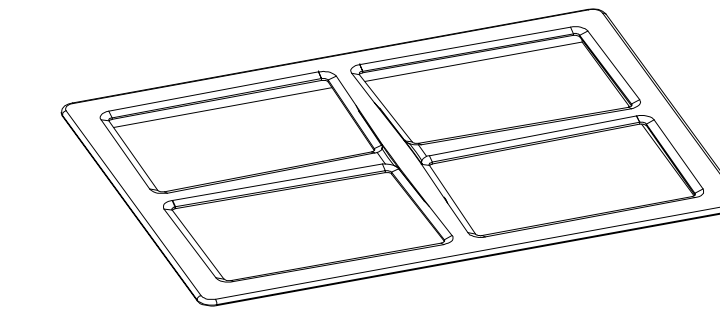
A64-C09 x1



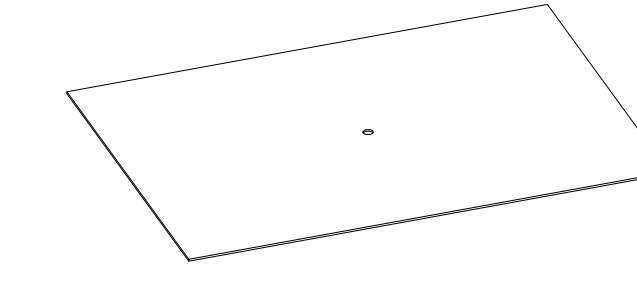
A64-C10x2



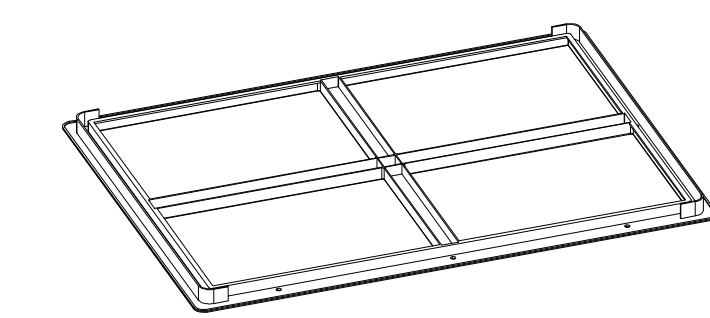
A64-C08 x1



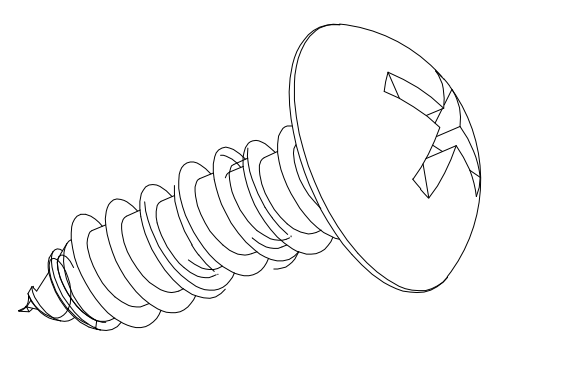
F35-C31 x1



F35-C33 x1



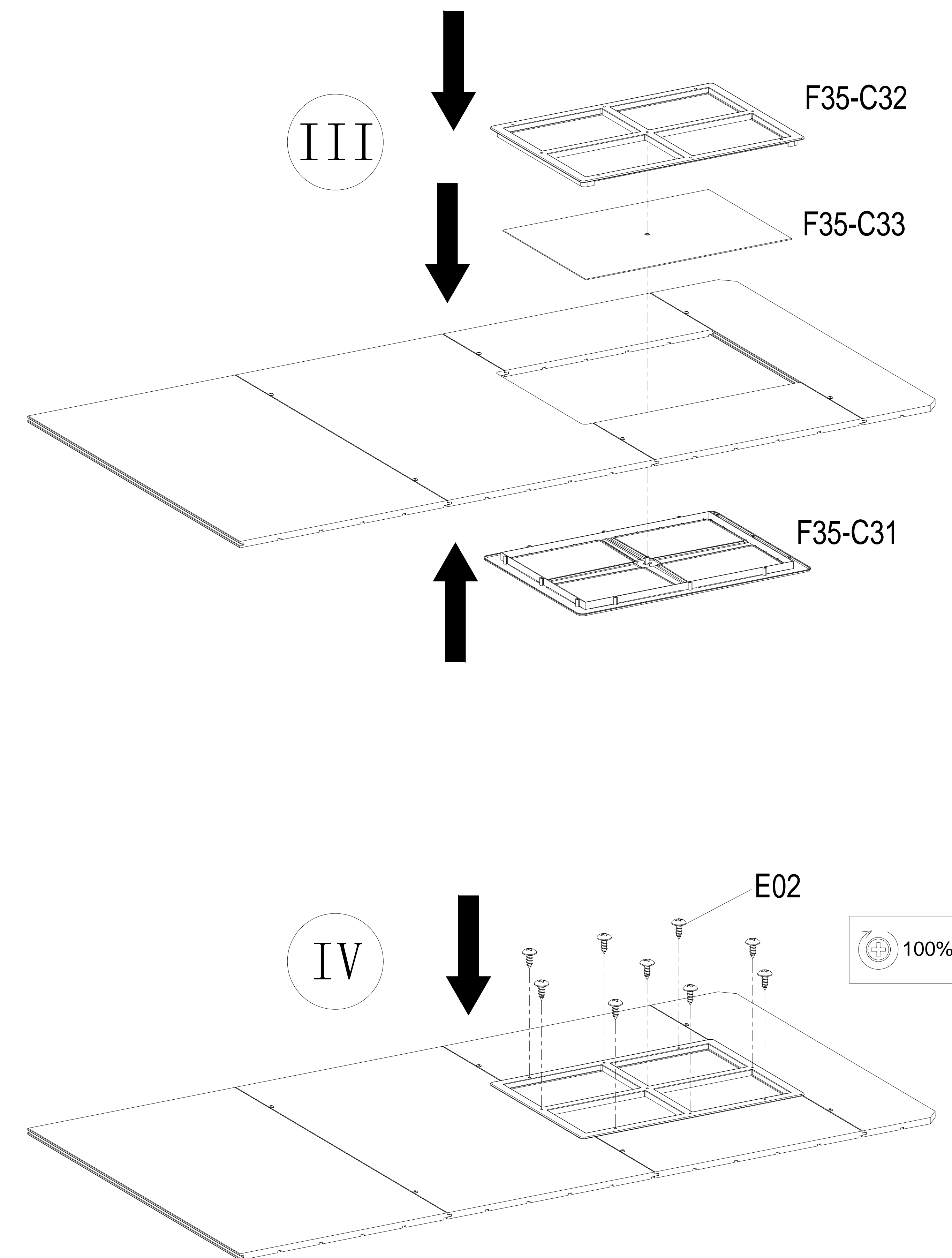
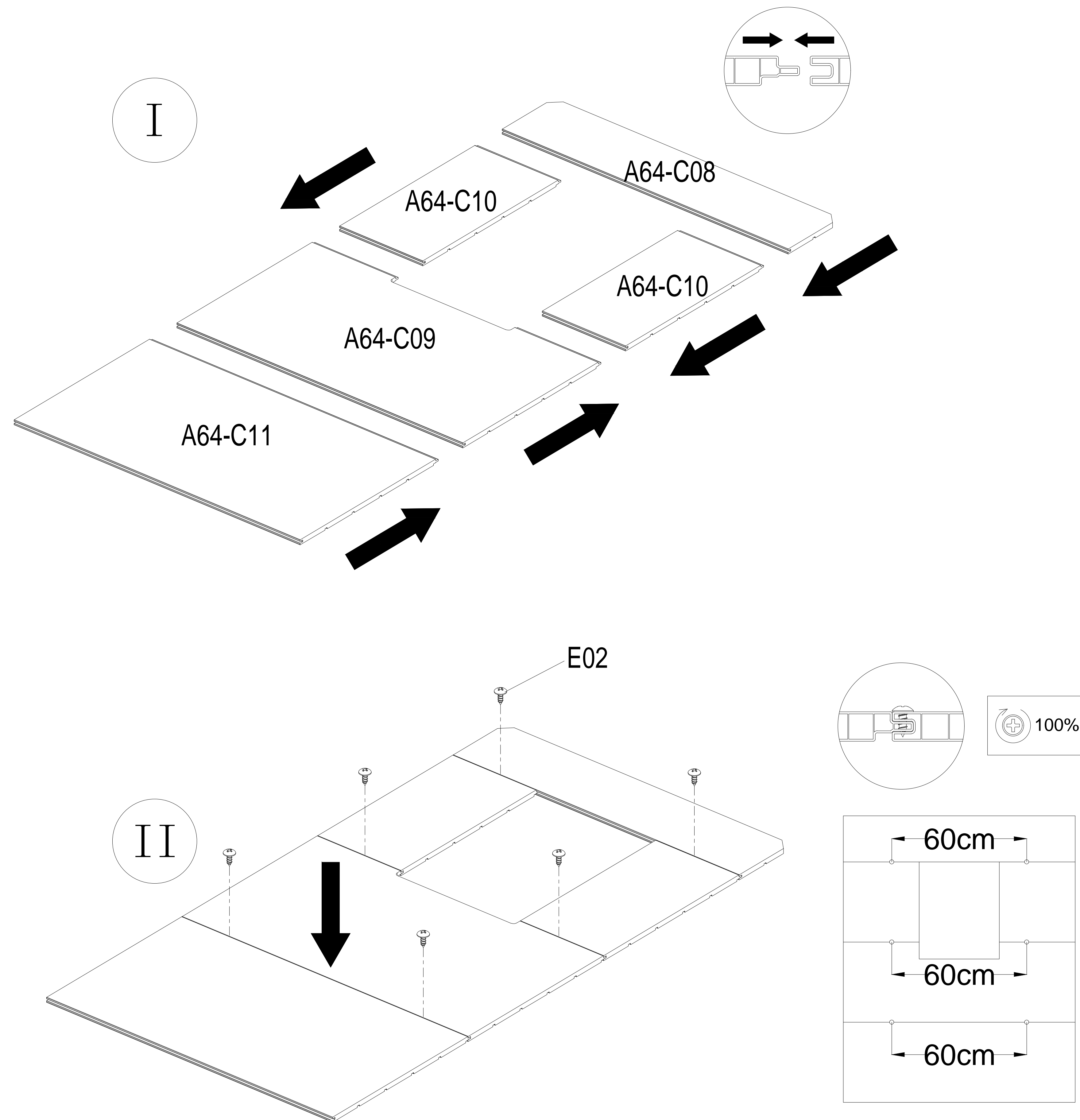
F35-C32 x1

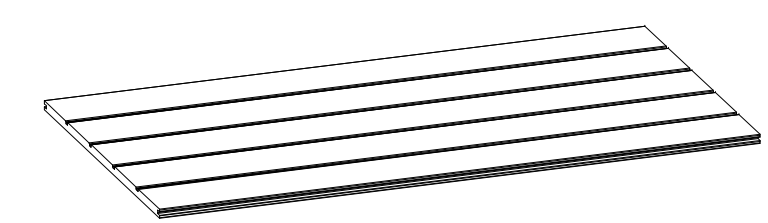


(ST4.2x12)  
E02x15

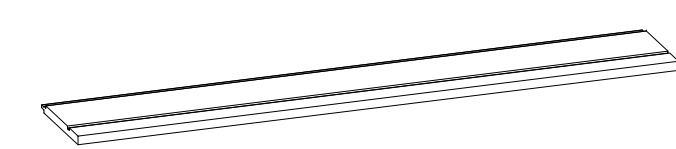
## Pre-installed side wall

# D

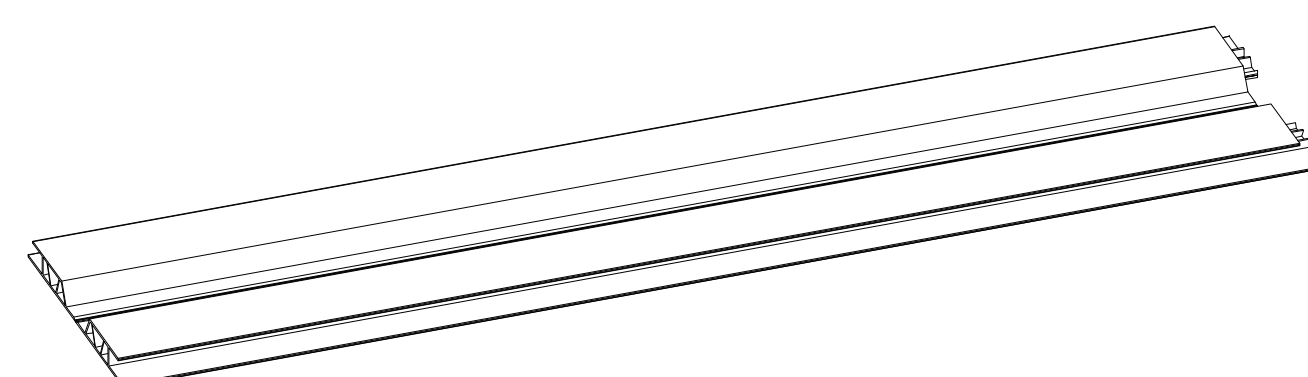




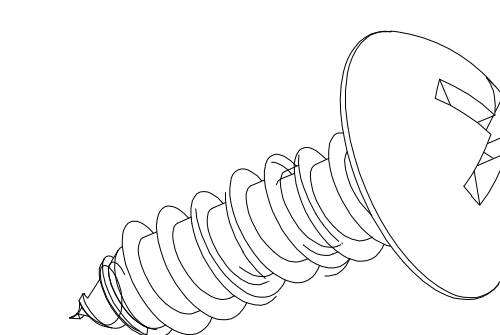
A64-C15x4



A64-C16 x4



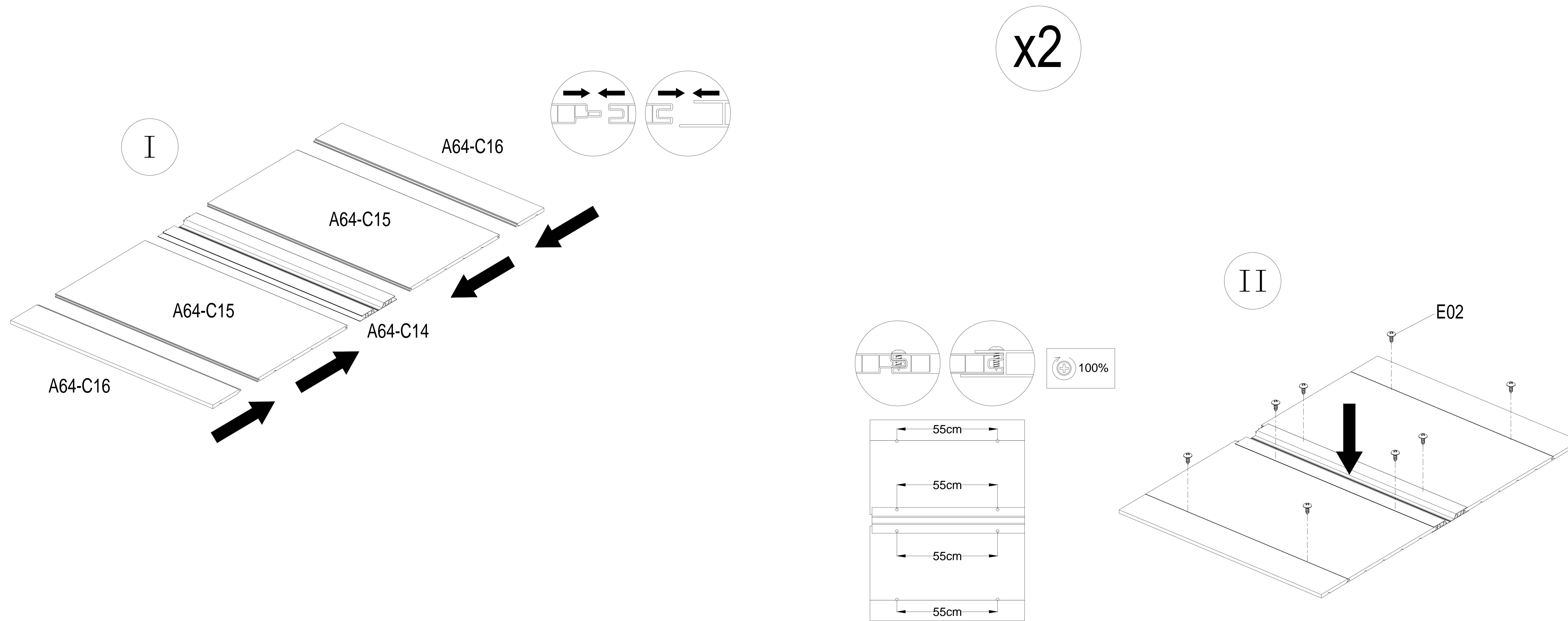
A64-C14 x2

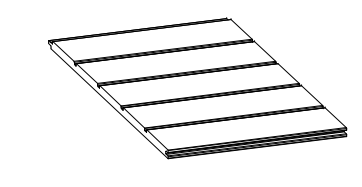


(ST4.2x12)  
E02x16

# Pre-installed Roof

## E

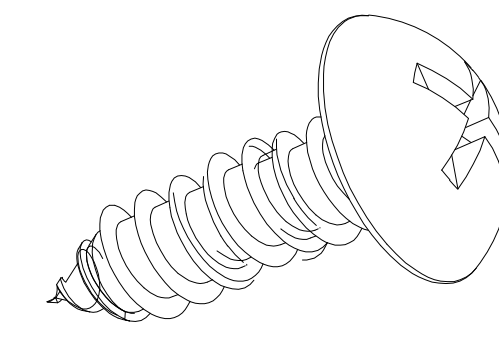




A64-C07 x6



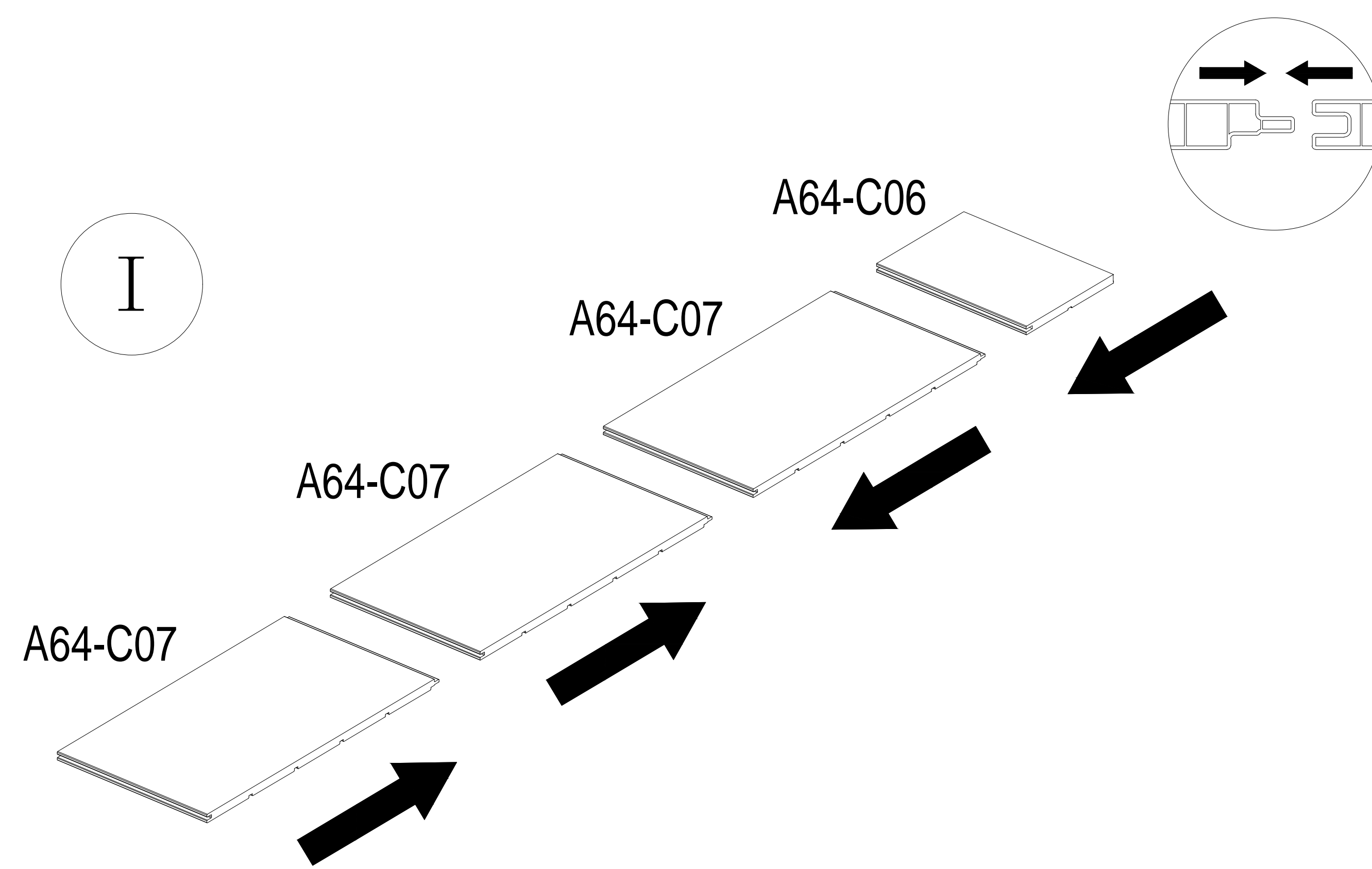
A64-C06 x2



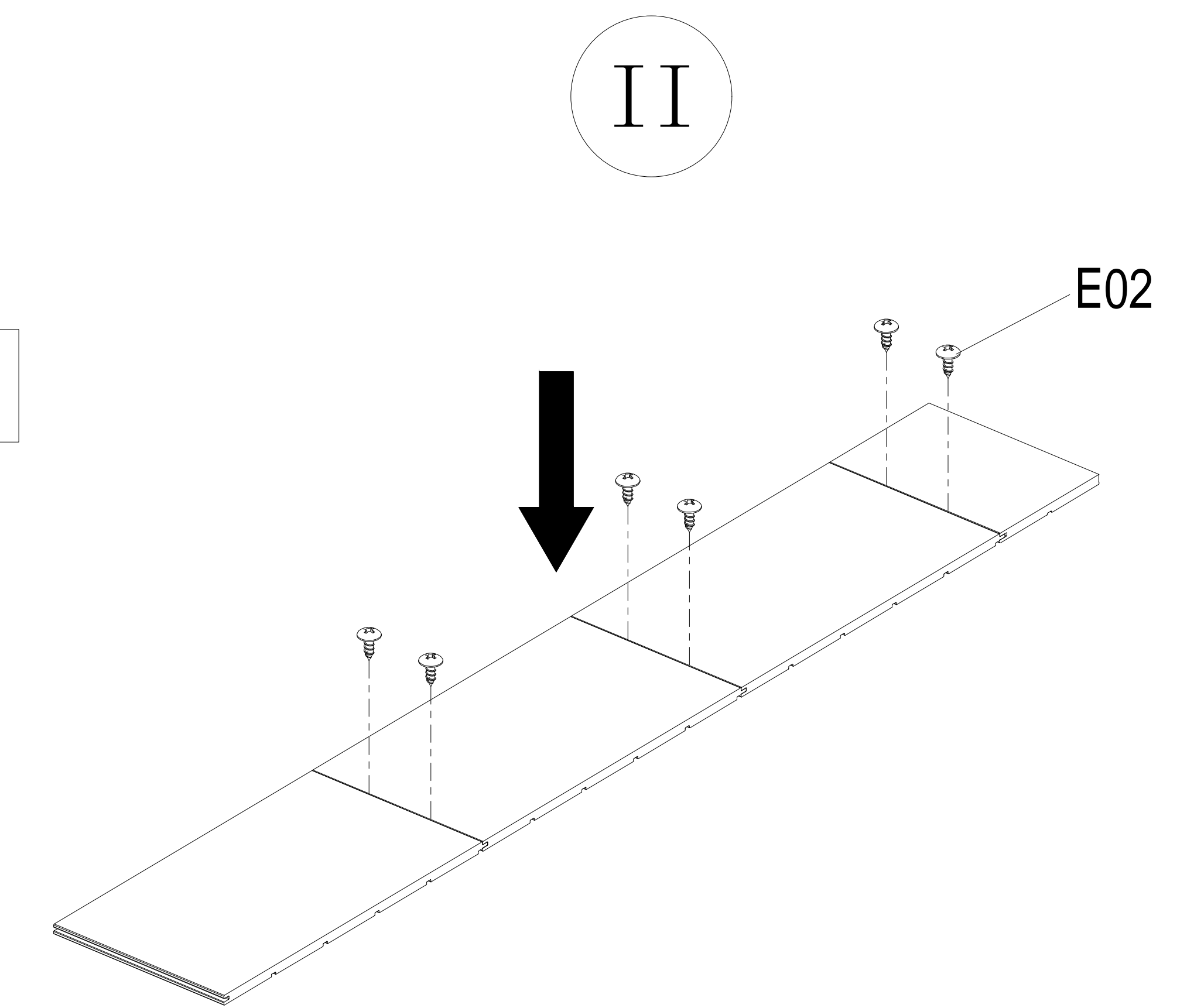
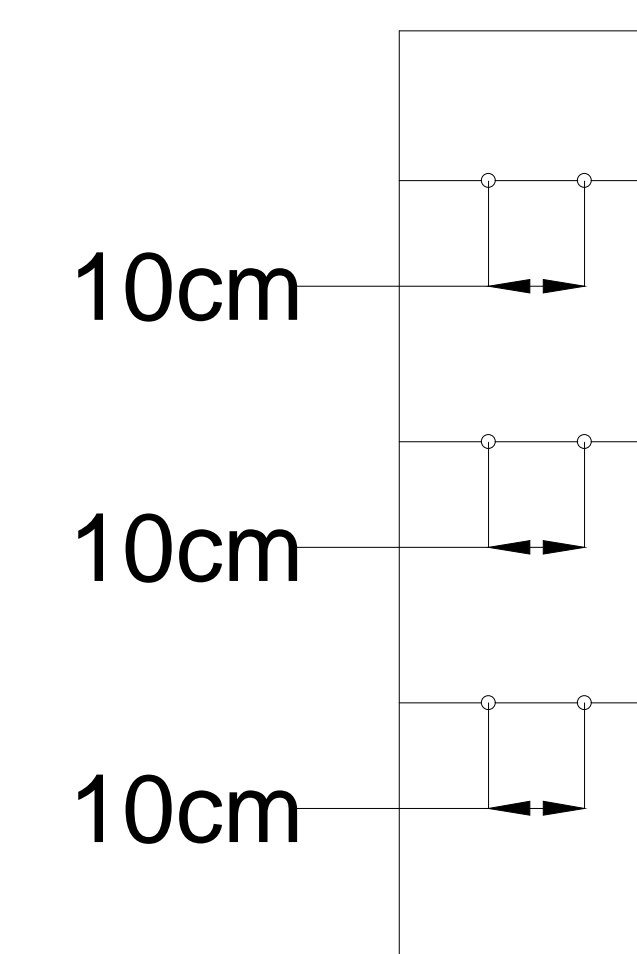
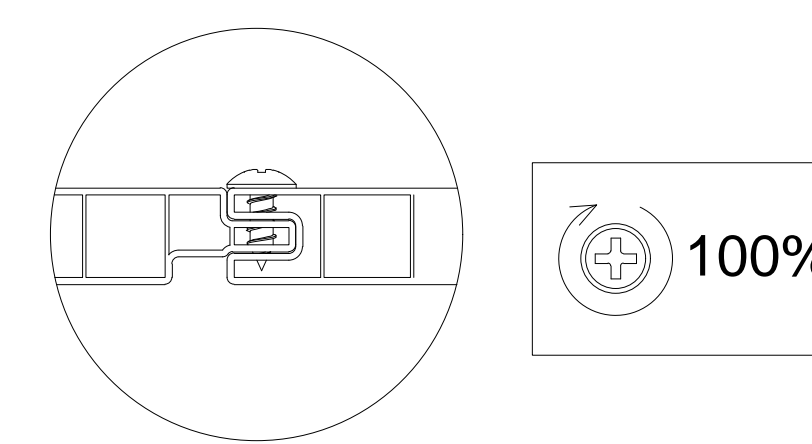
(ST4.2x12)  
E02x12

# Pre-installed Front wall

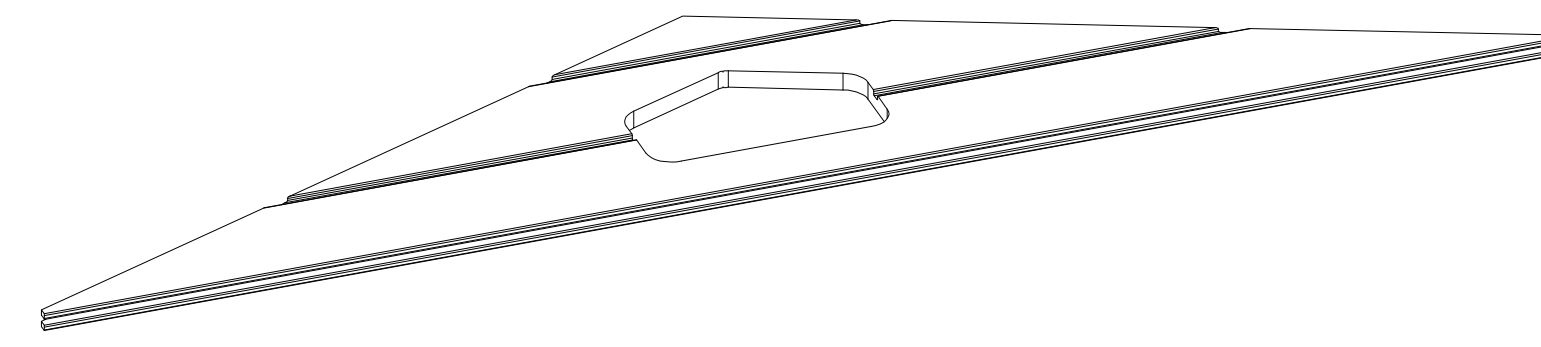
## F



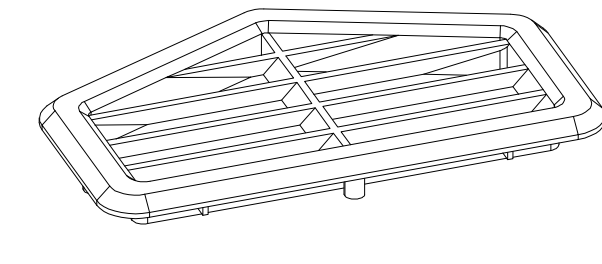
x2



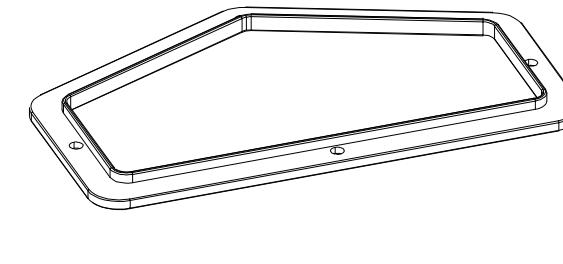




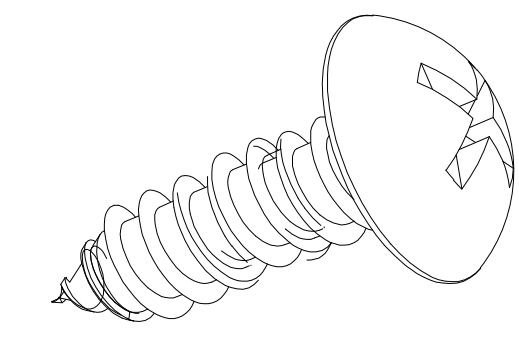
A64-C13 x2



A64-C32 x2



A64-C33 x2

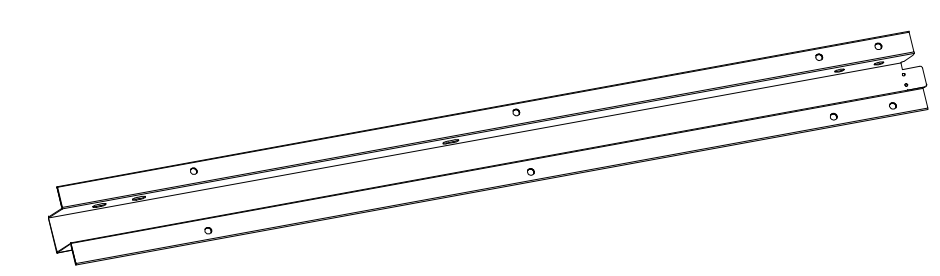


(ST4.2x12)  
E02x8

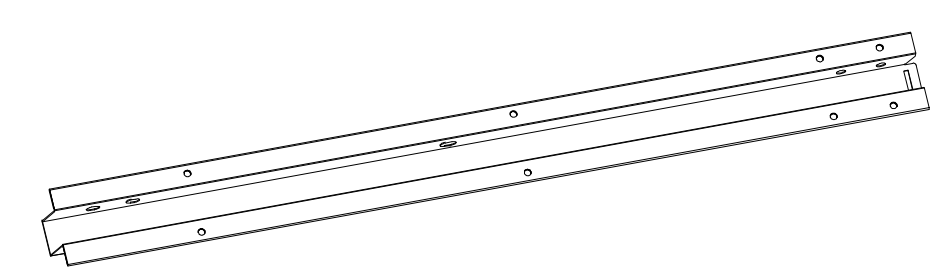
## Pre-installed Triangle Board

# G

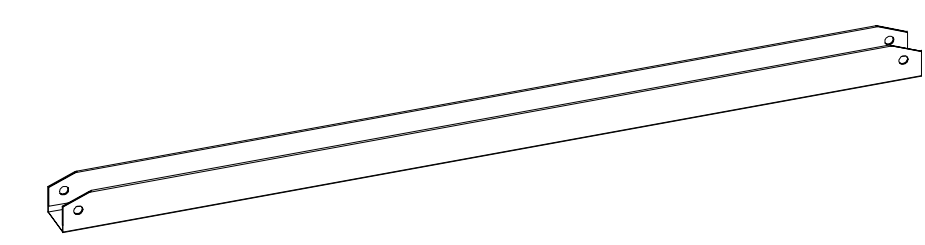




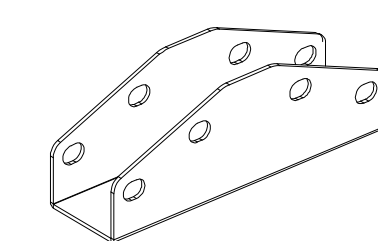
A64-A08 x2



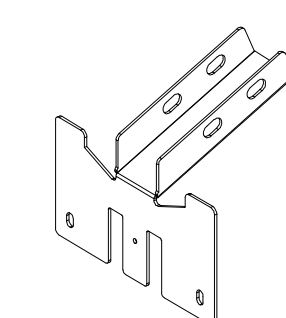
A64-A07 x2



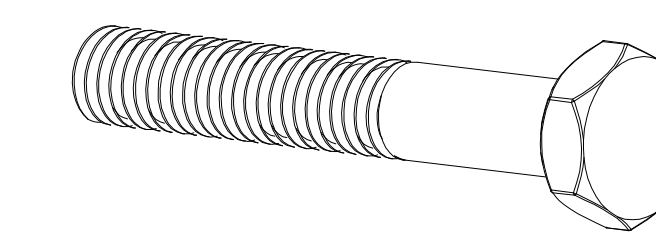
A64-A09 x2



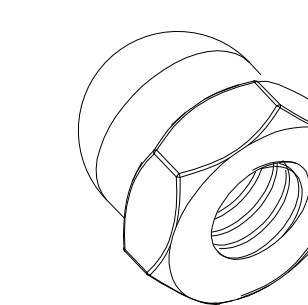
A64-A10 x2



A64-A11 x4



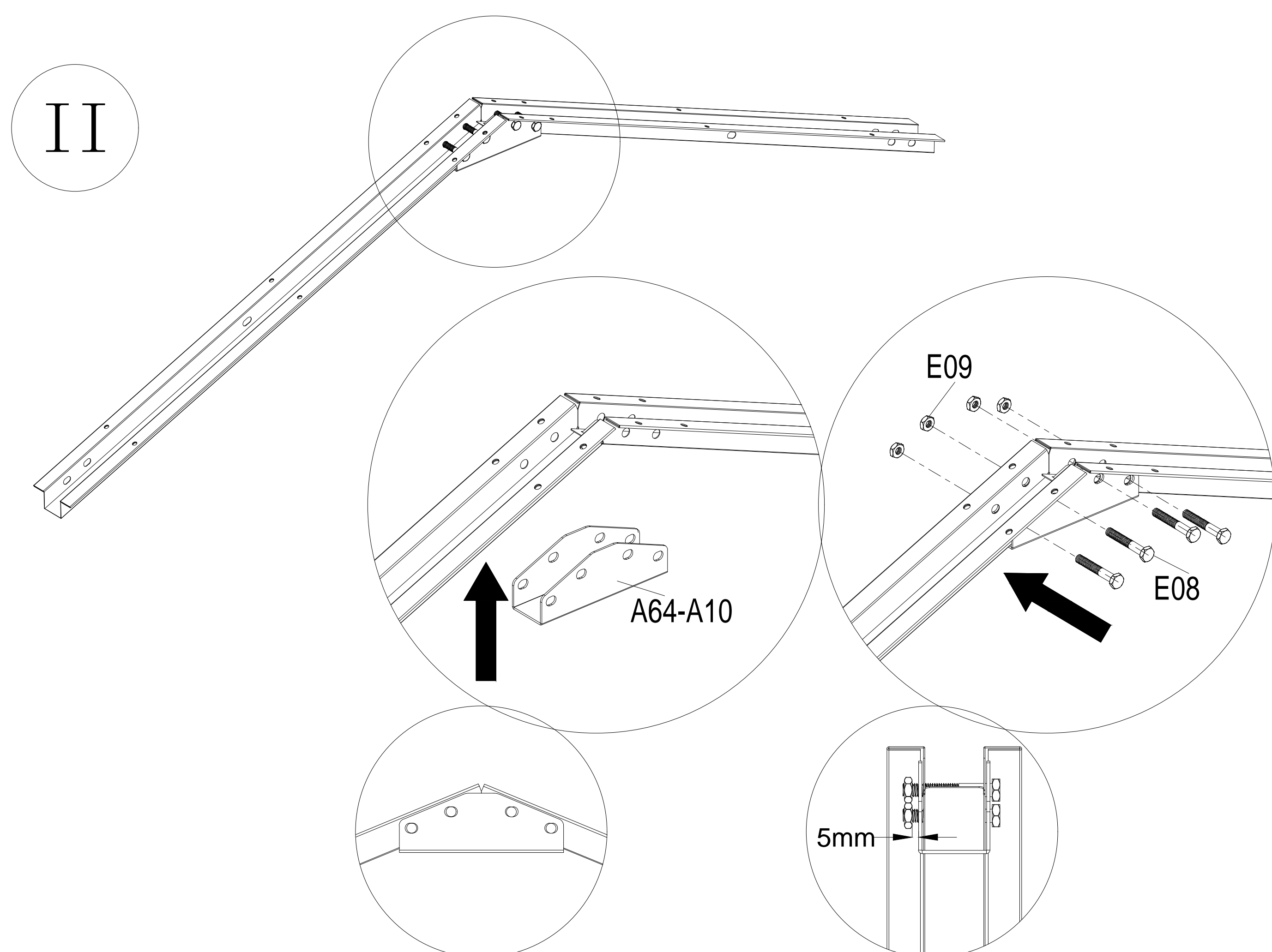
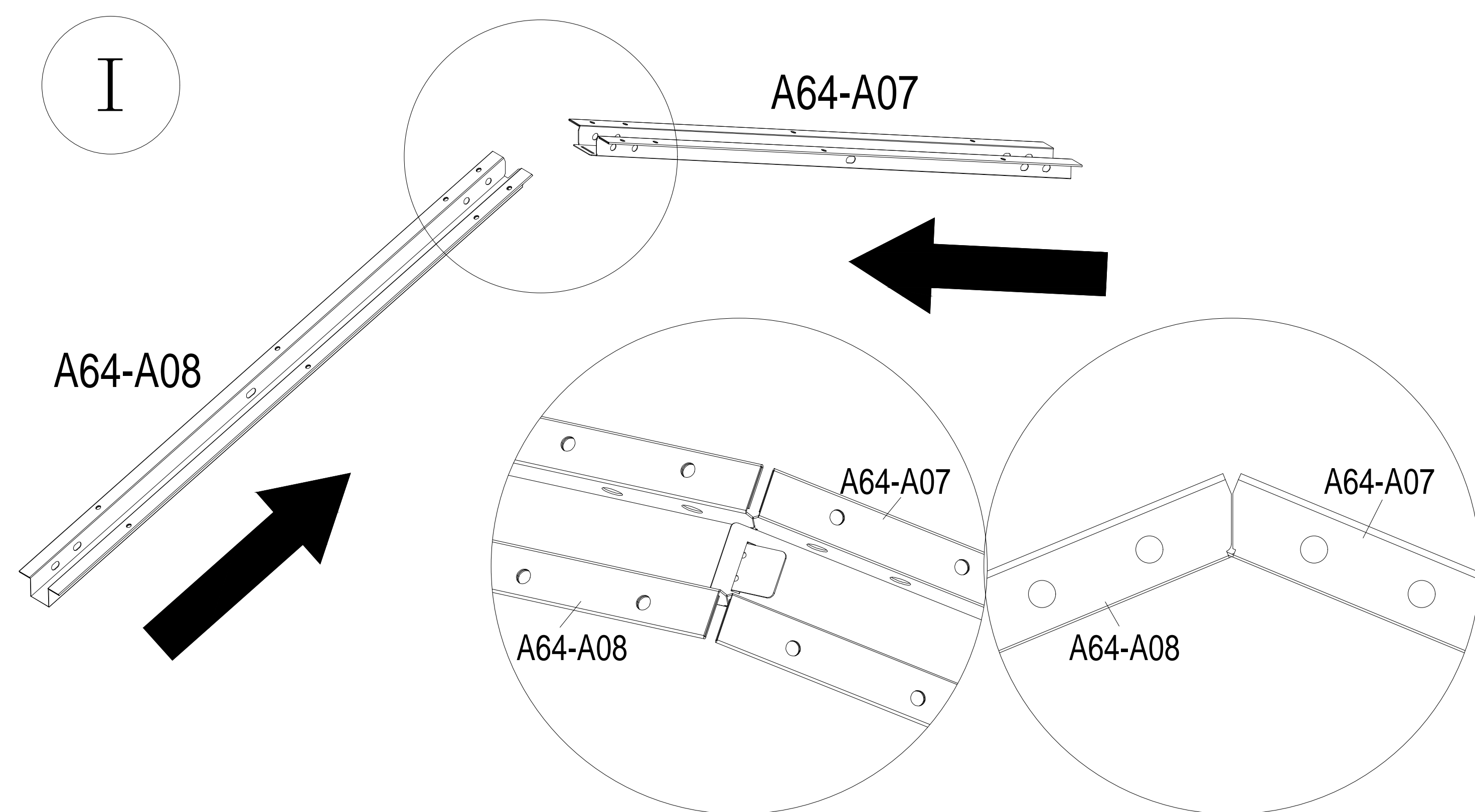
(M6x40)  
E08x20



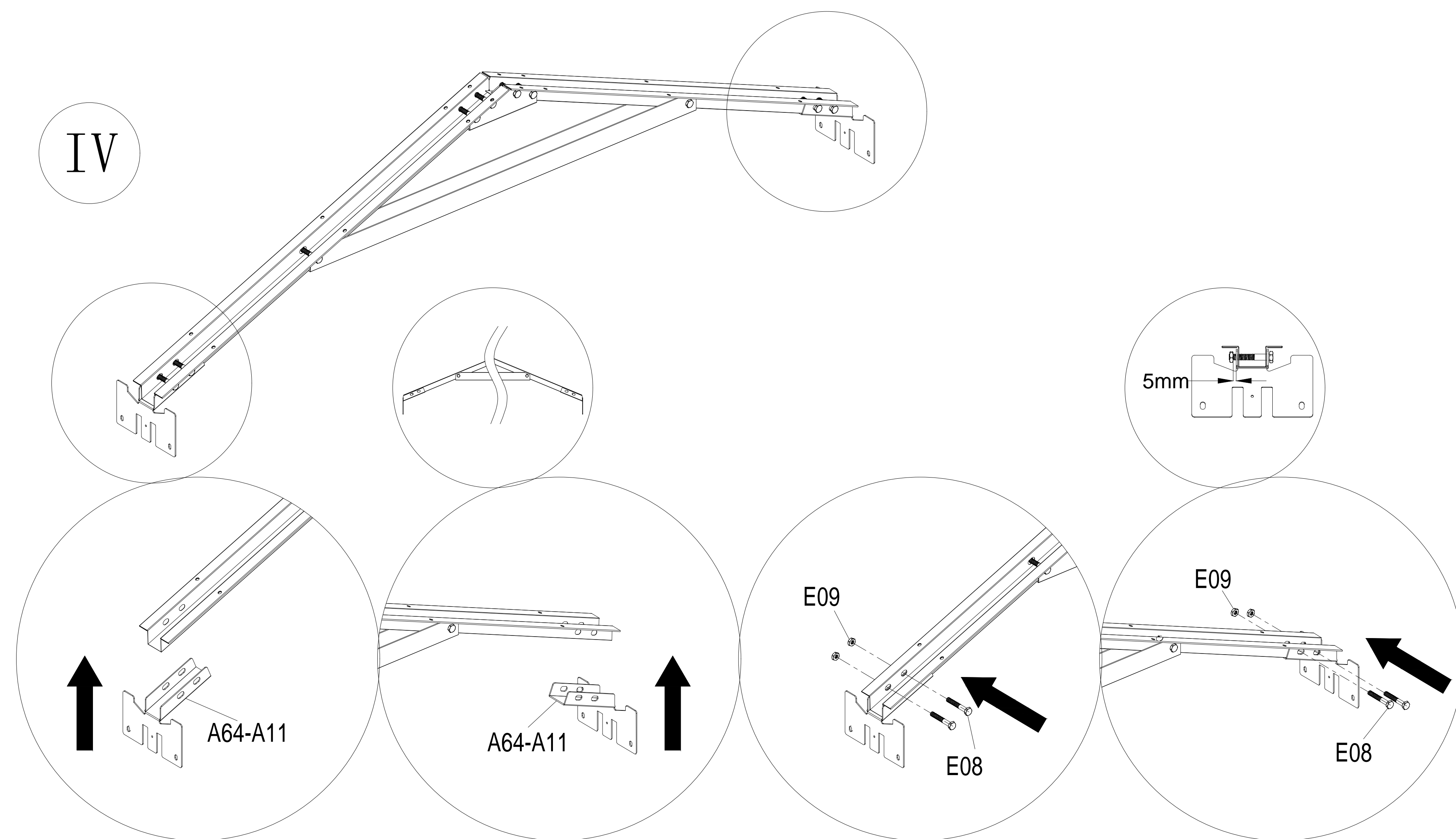
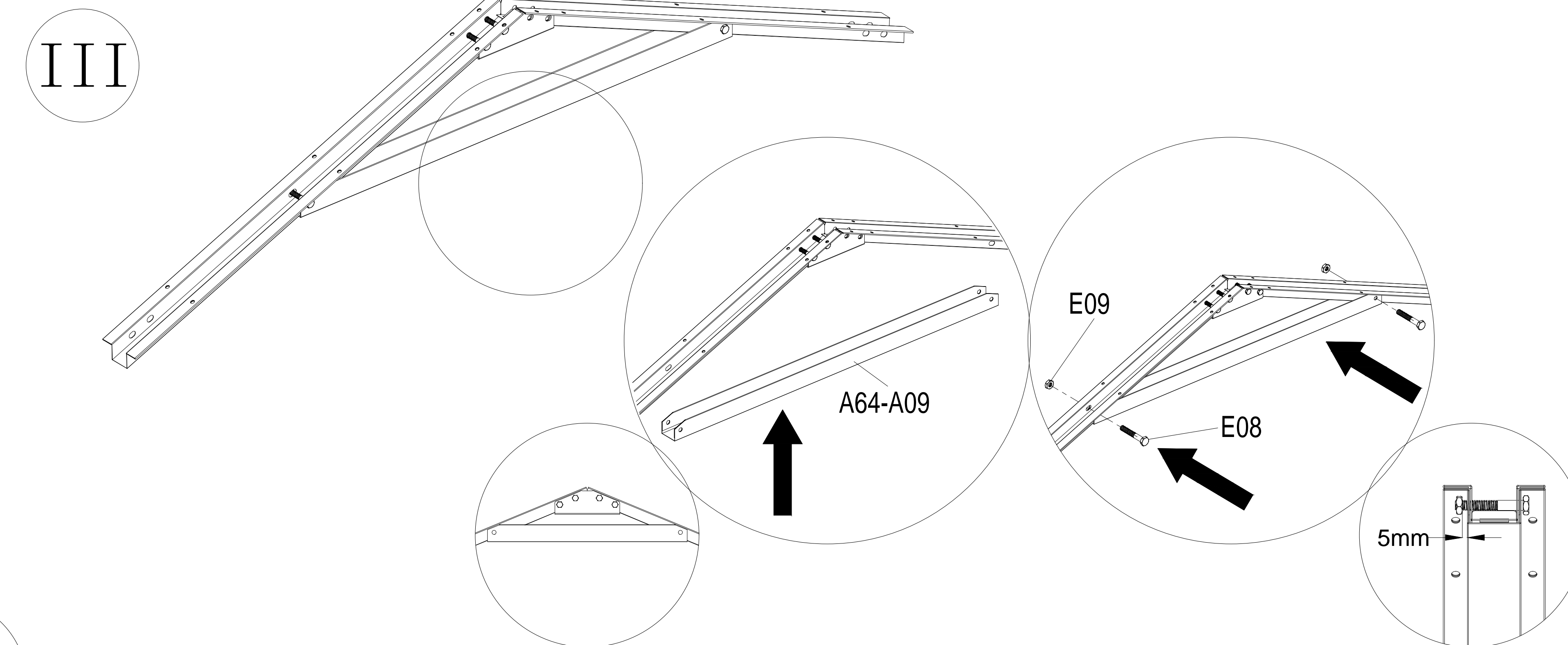
(M6x8.5)  
E09x20

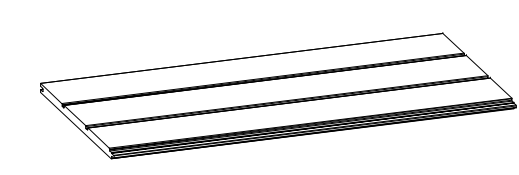
# Pre-installed Roof supporting

## H

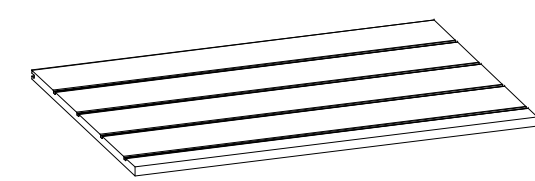


x2





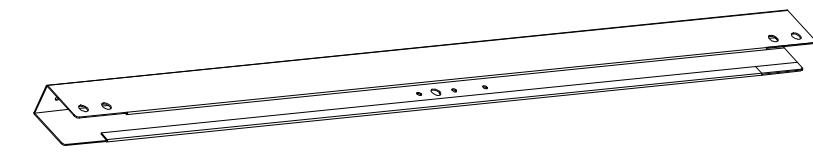
A64-C04 x4



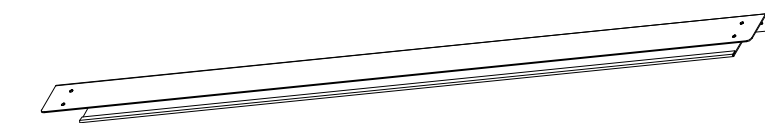
A64-C05 x1



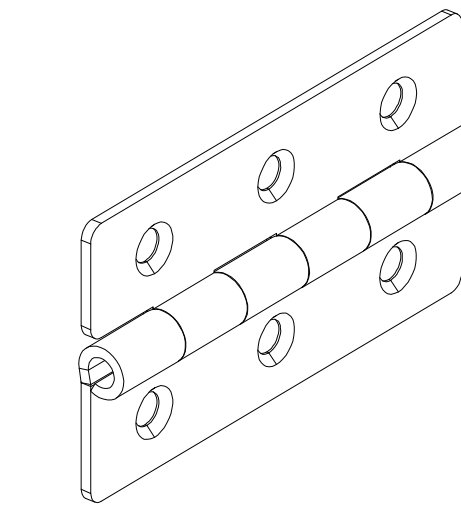
A64-A02 x1



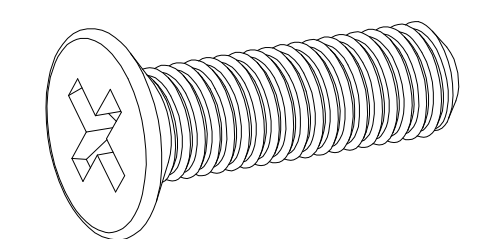
A64-A05 x1



A64-A06 x2



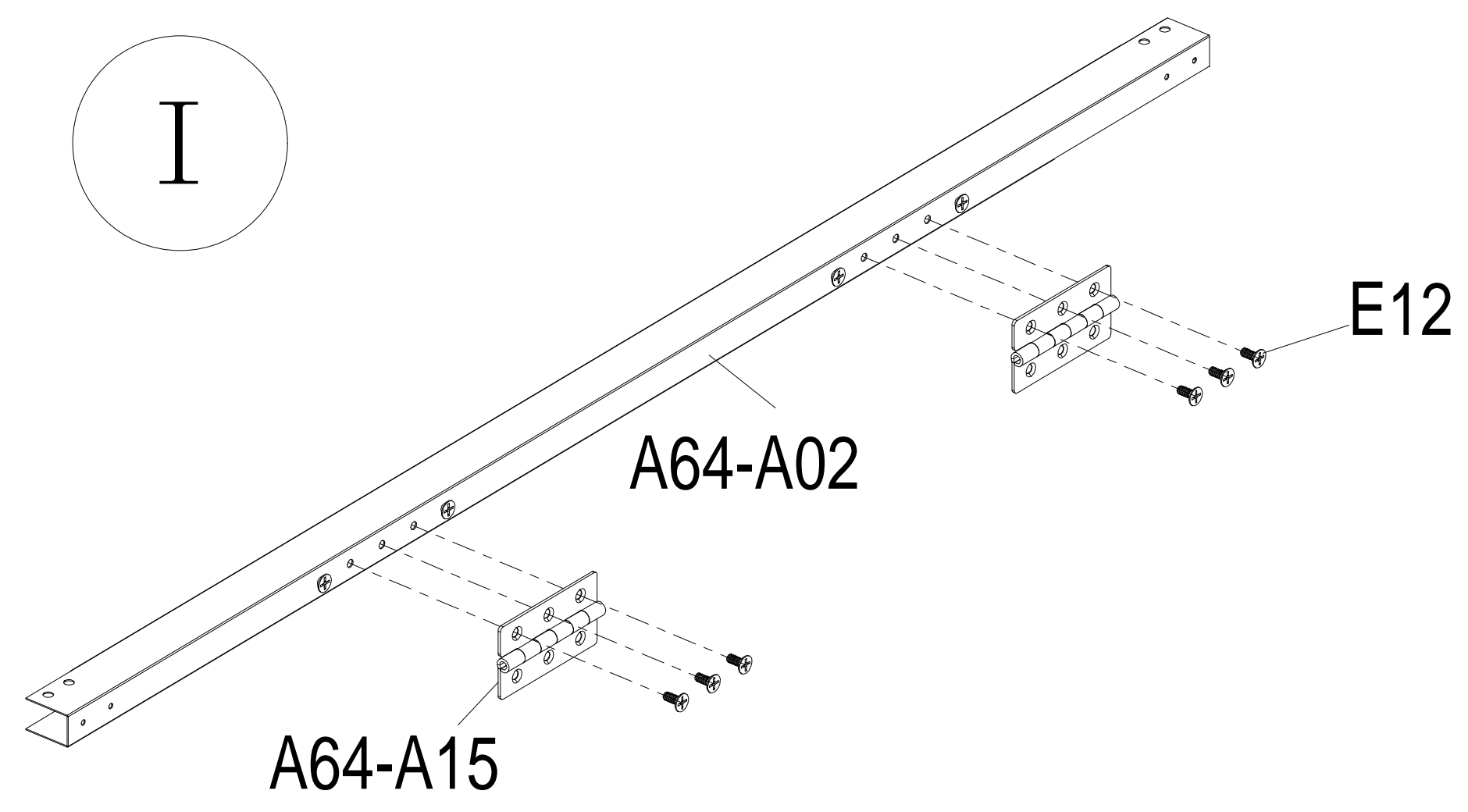
A64-A15 x2



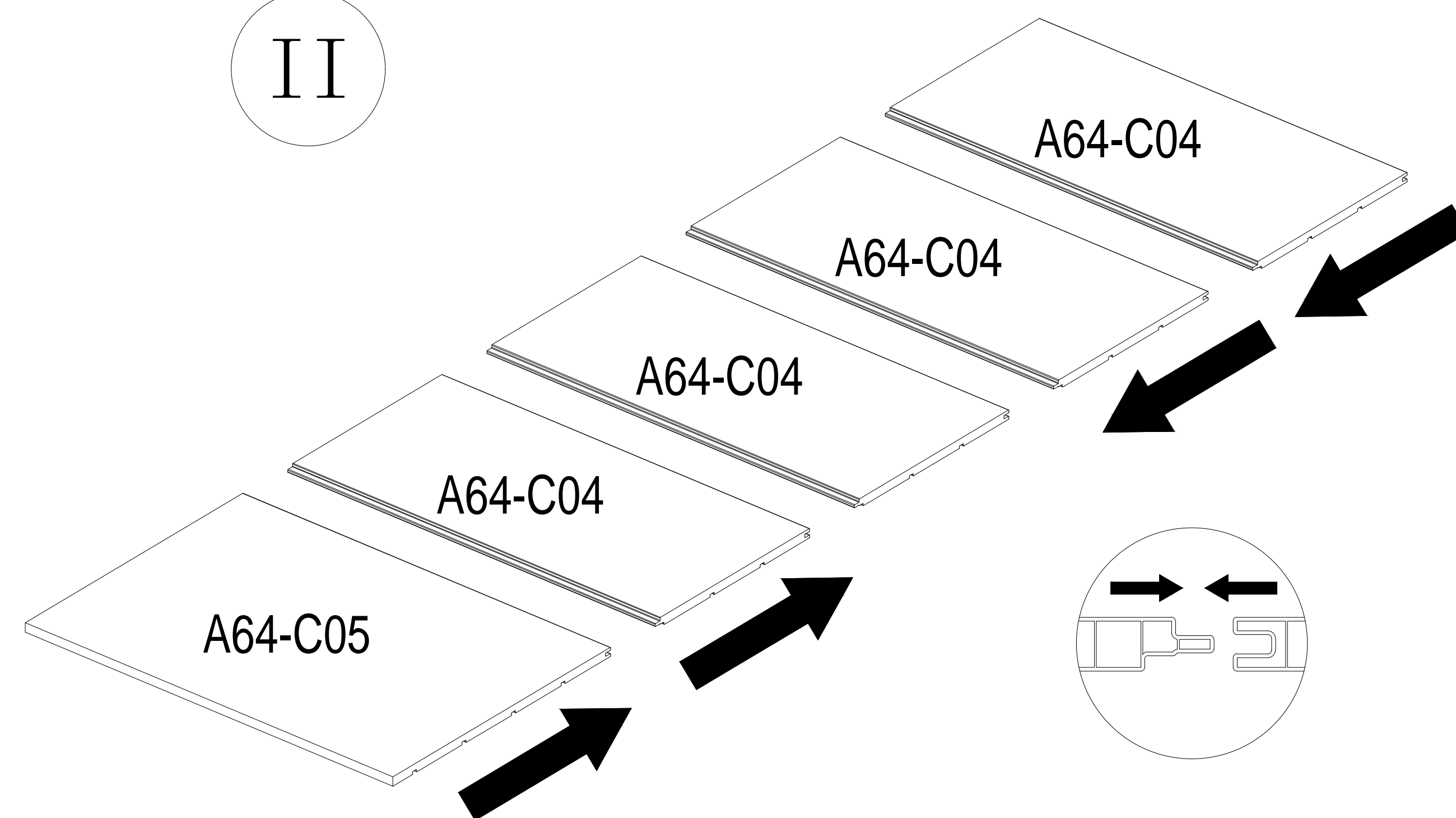
(M4x10)  
E12x6

## Pre-installed Door

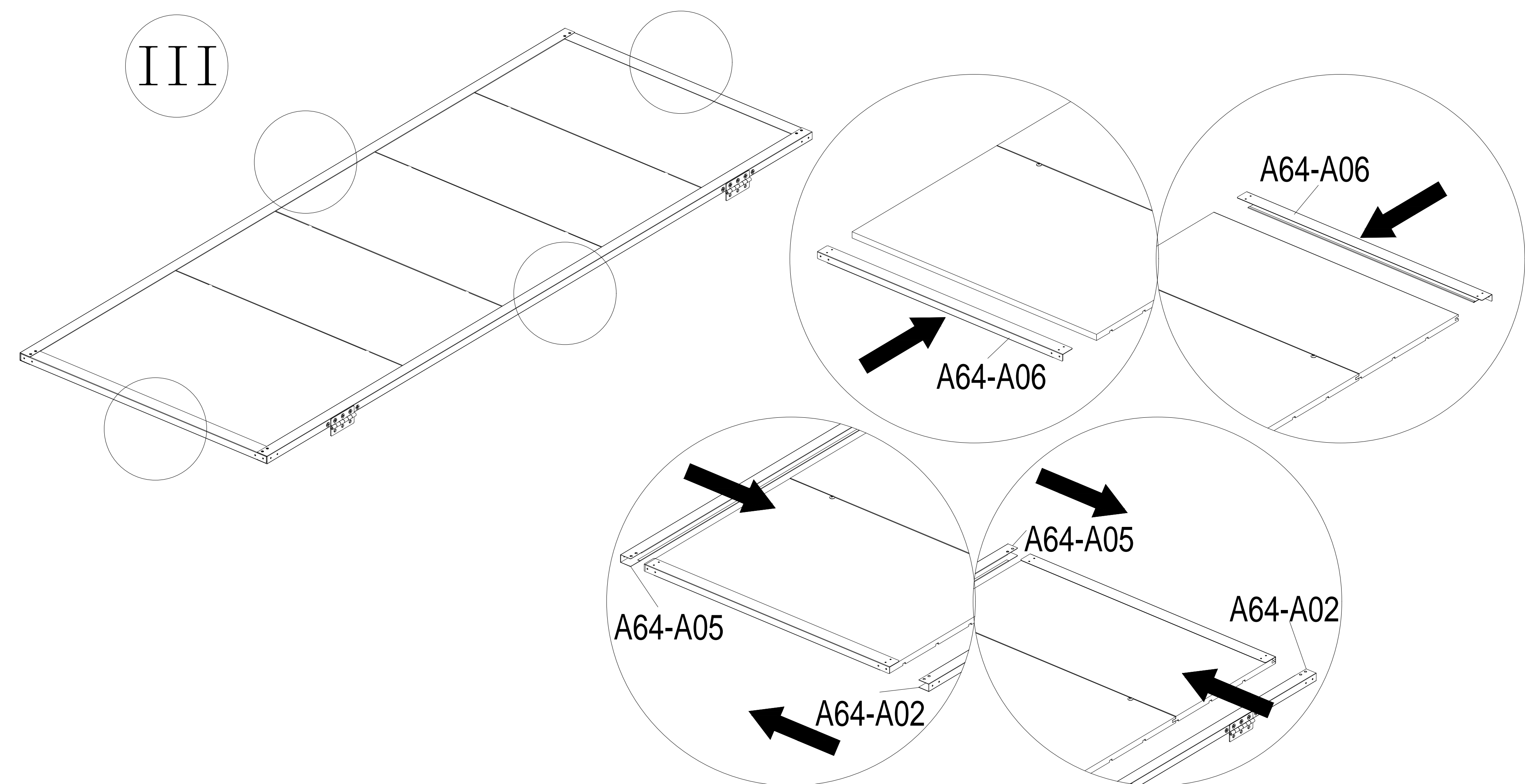
I

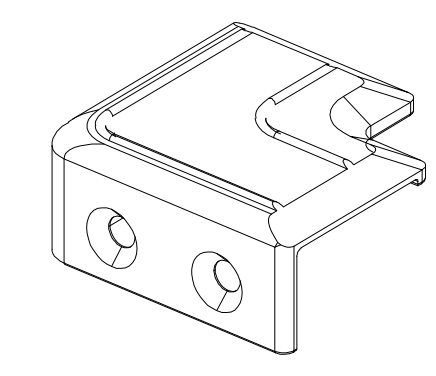


II

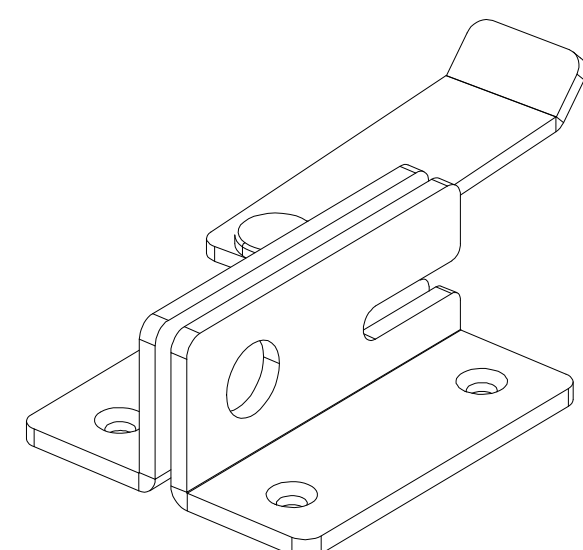


III

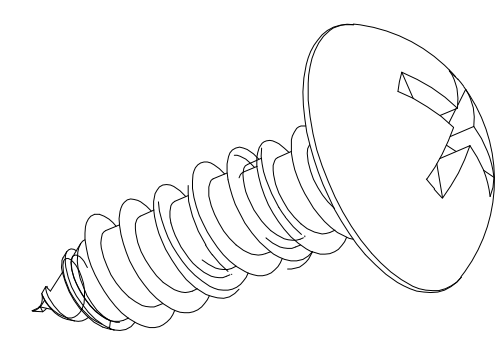




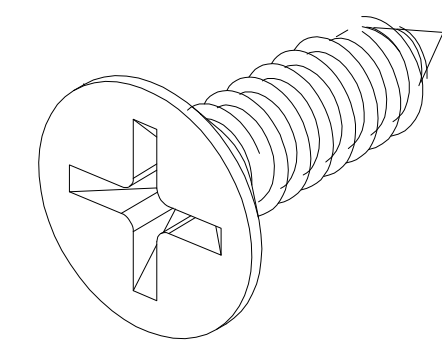
F35-C29 x4



F35-D02 x1



(ST4.2x12)  
E02x8

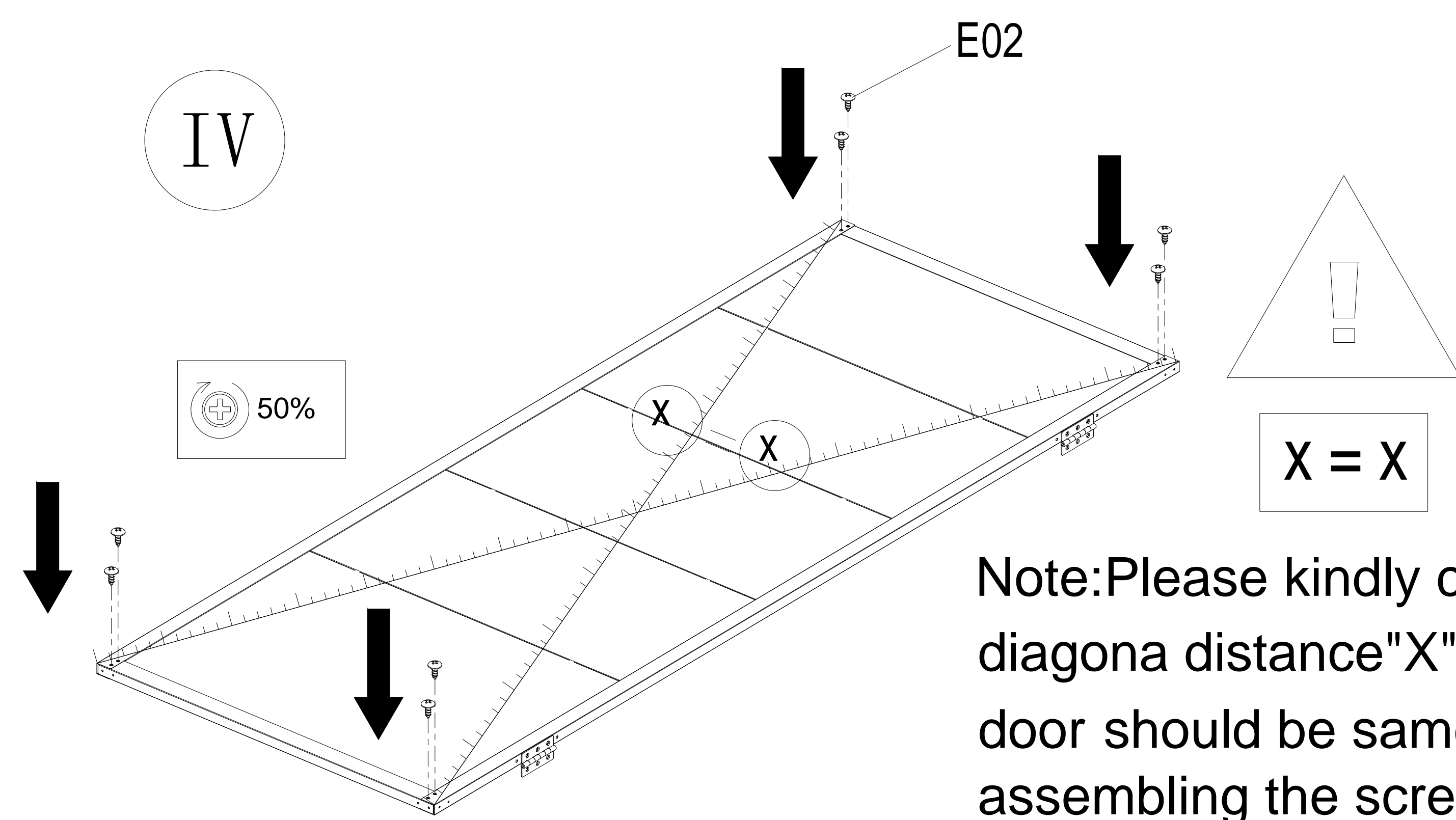


(ST4.2x13)  
E01x18

## Pre-installed Door

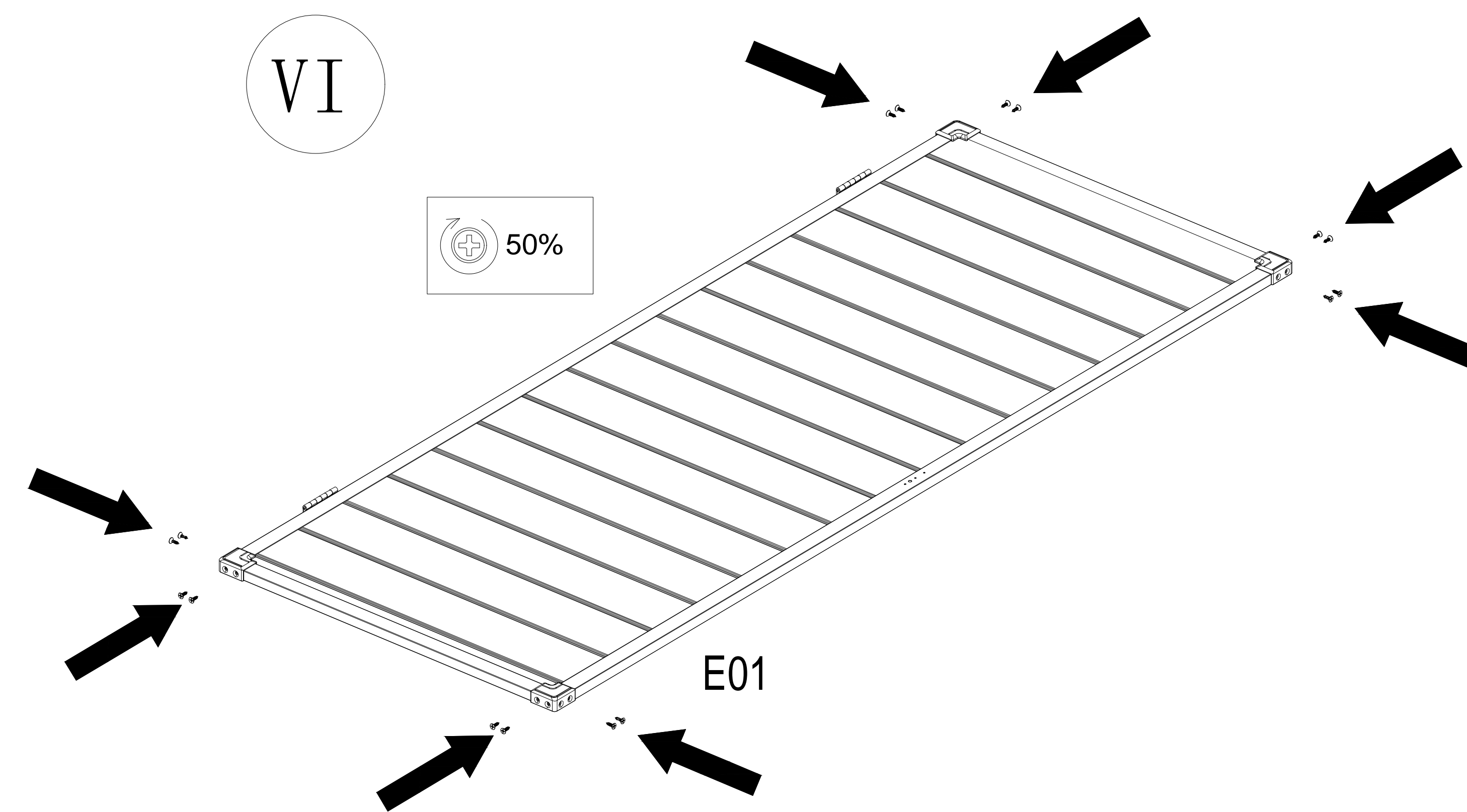
### I(2)

IV

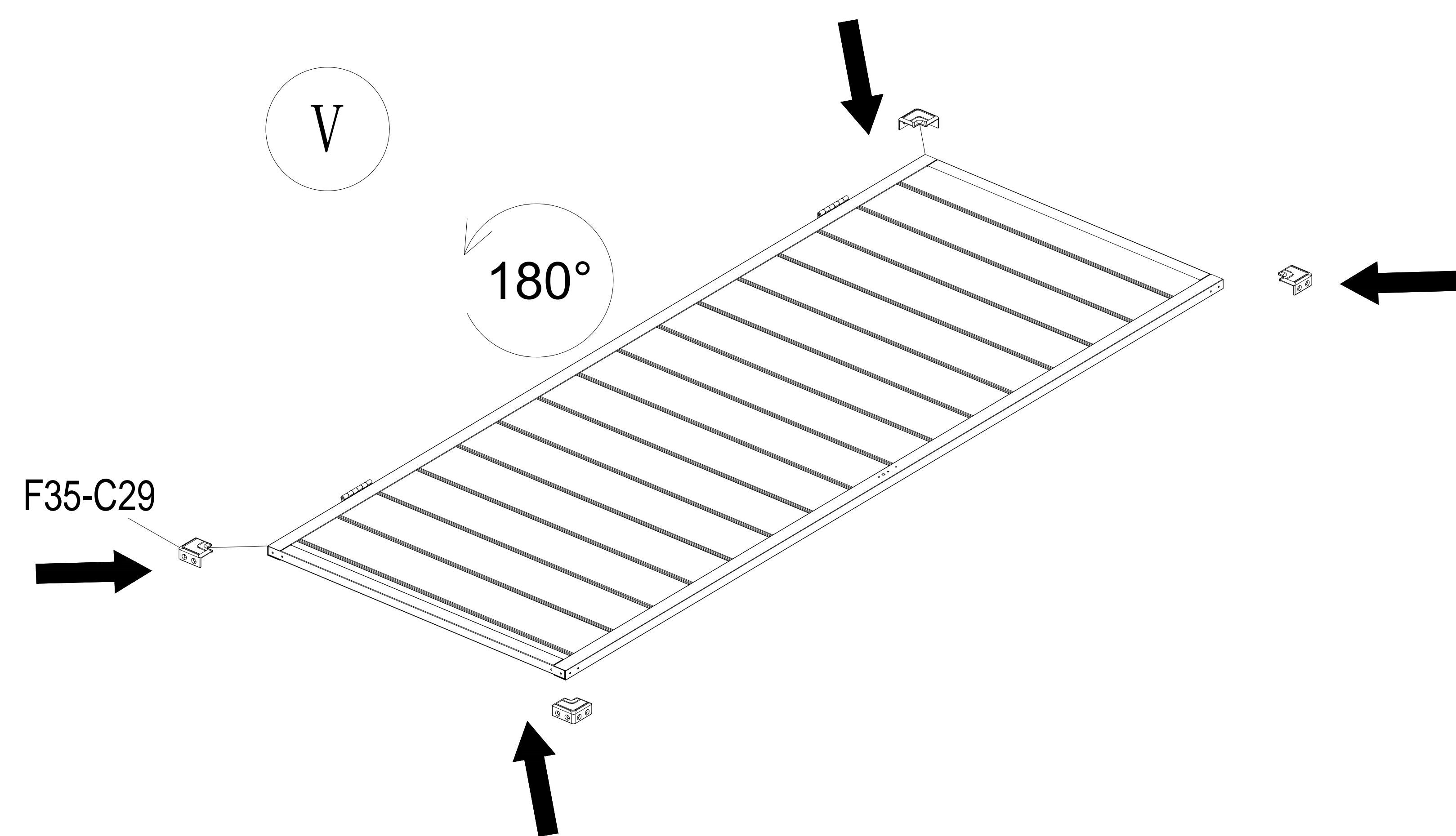


Note: Please kindly confirm the diagonal distance "X" of the door should be same before assembling the screws.

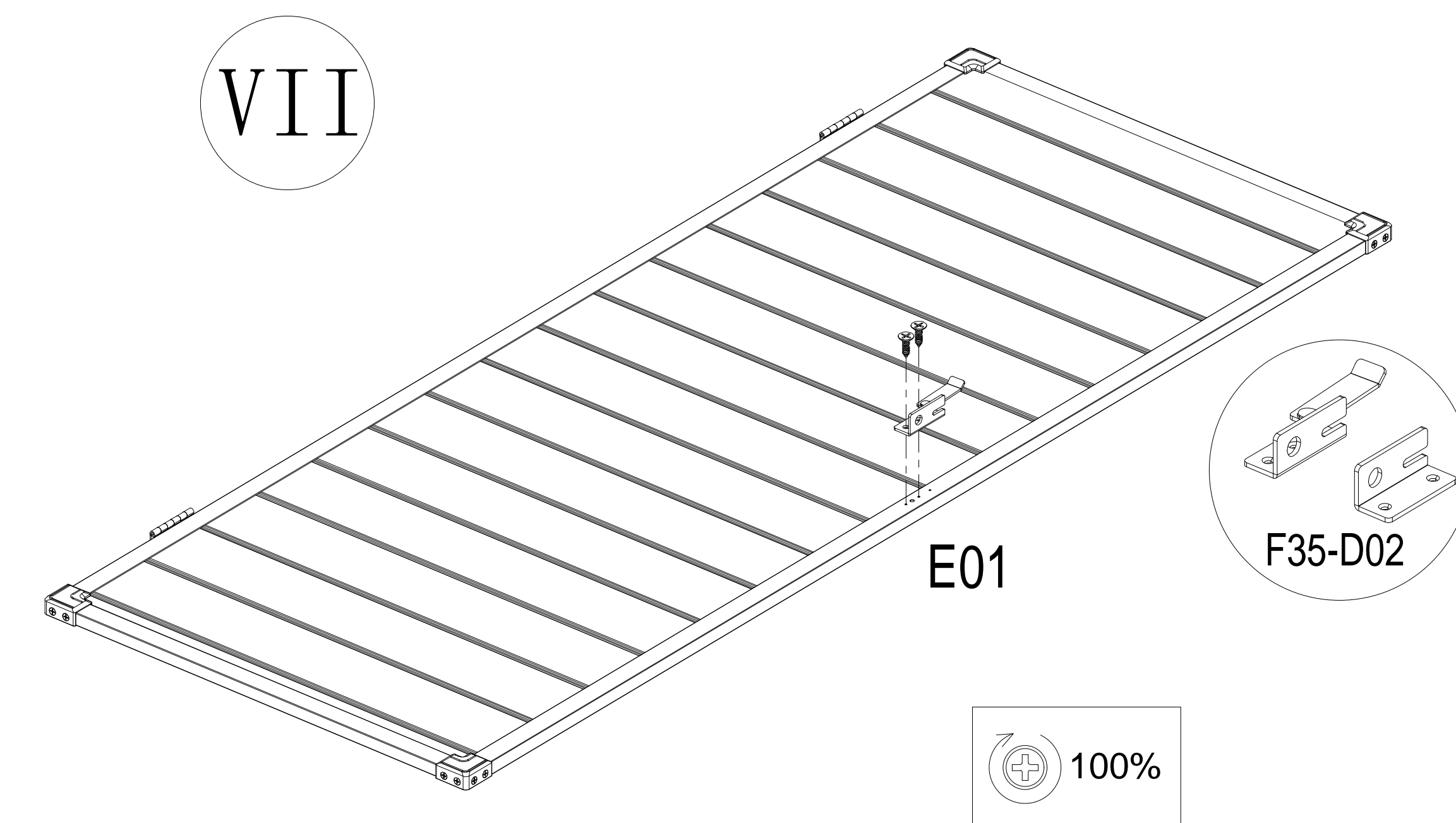
VI



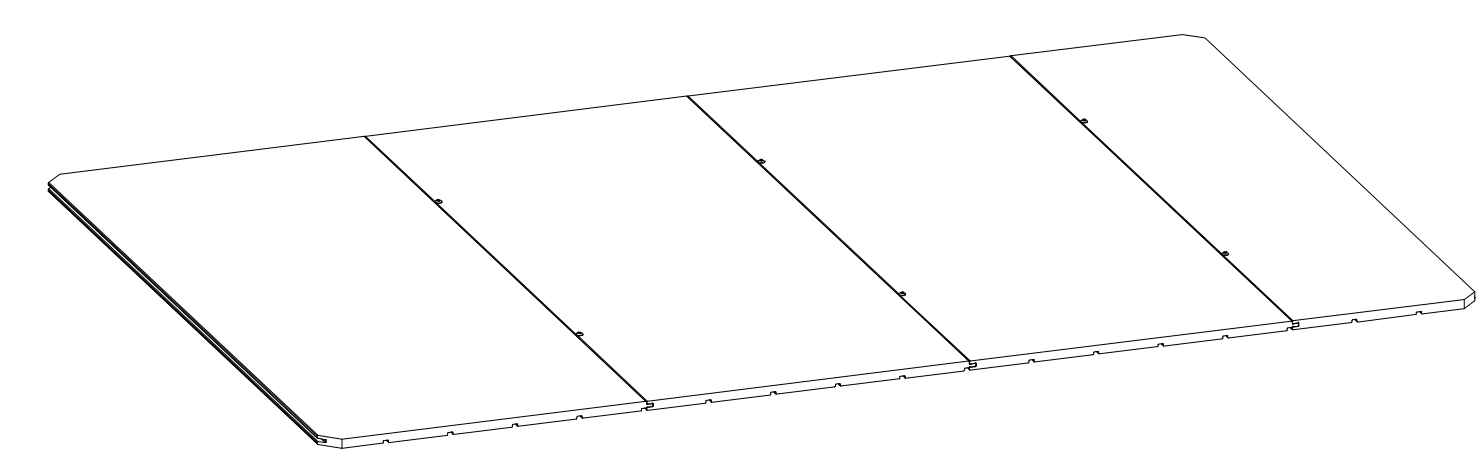
V



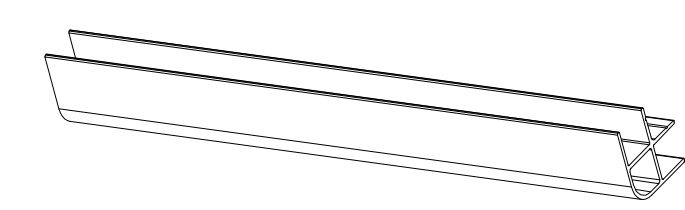
VII



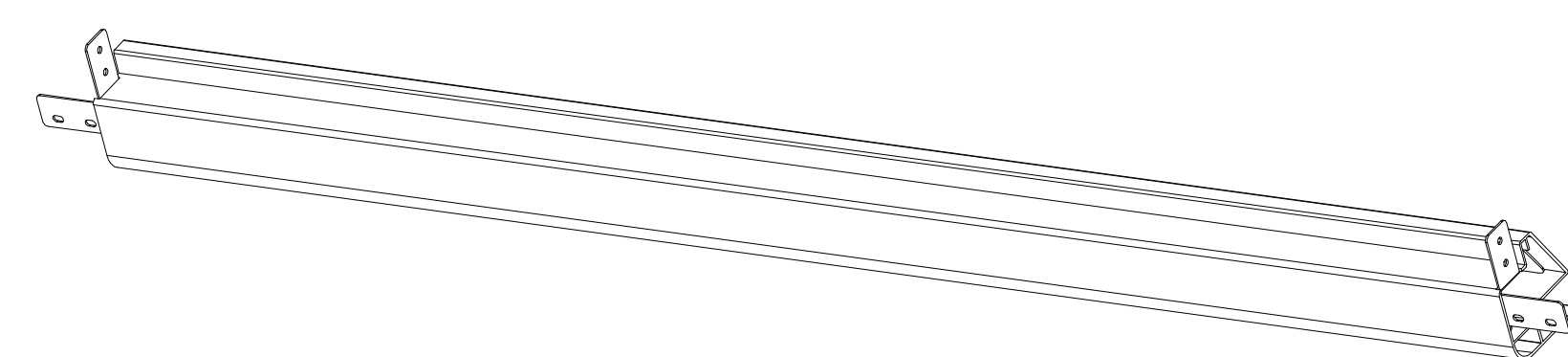




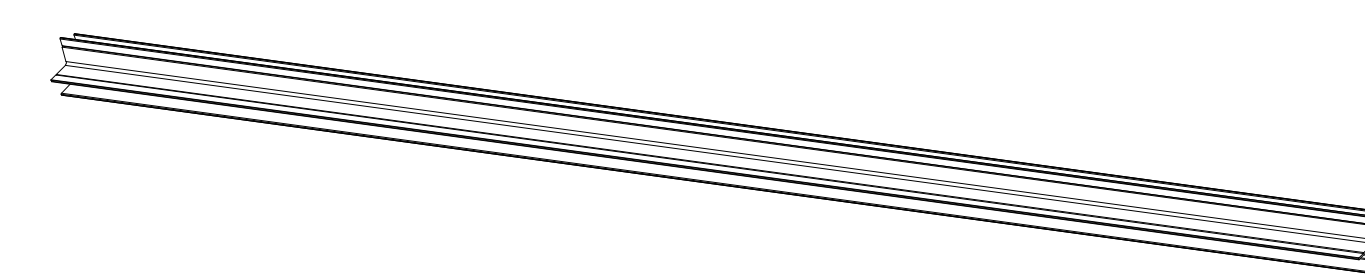
A



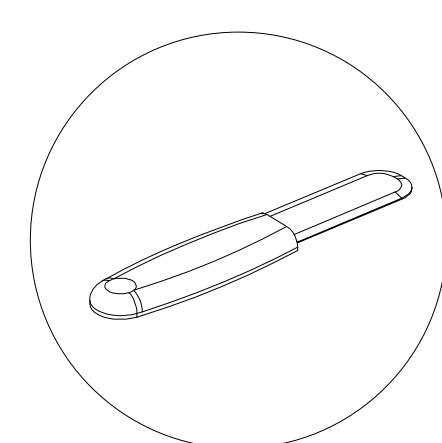
A64-C20 x2



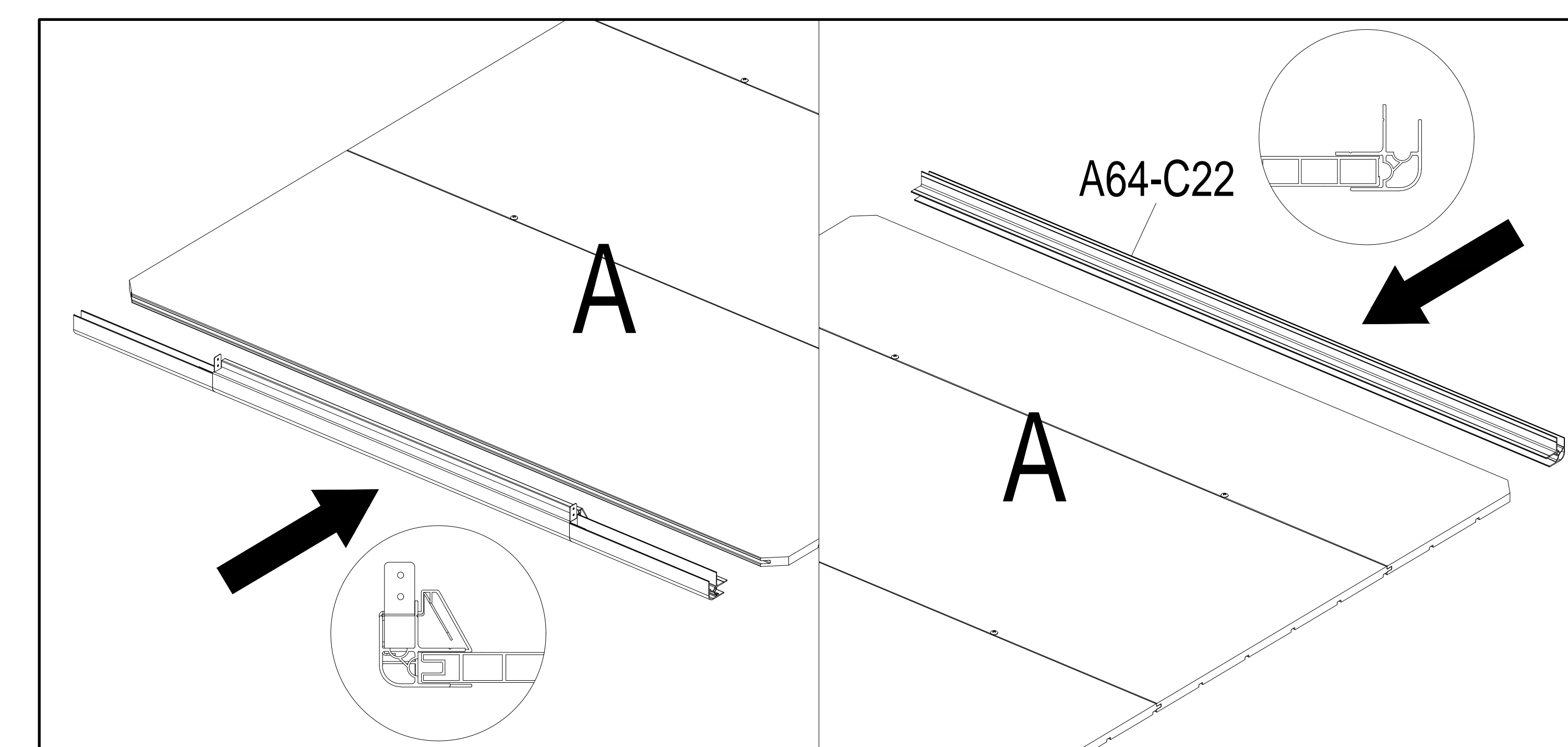
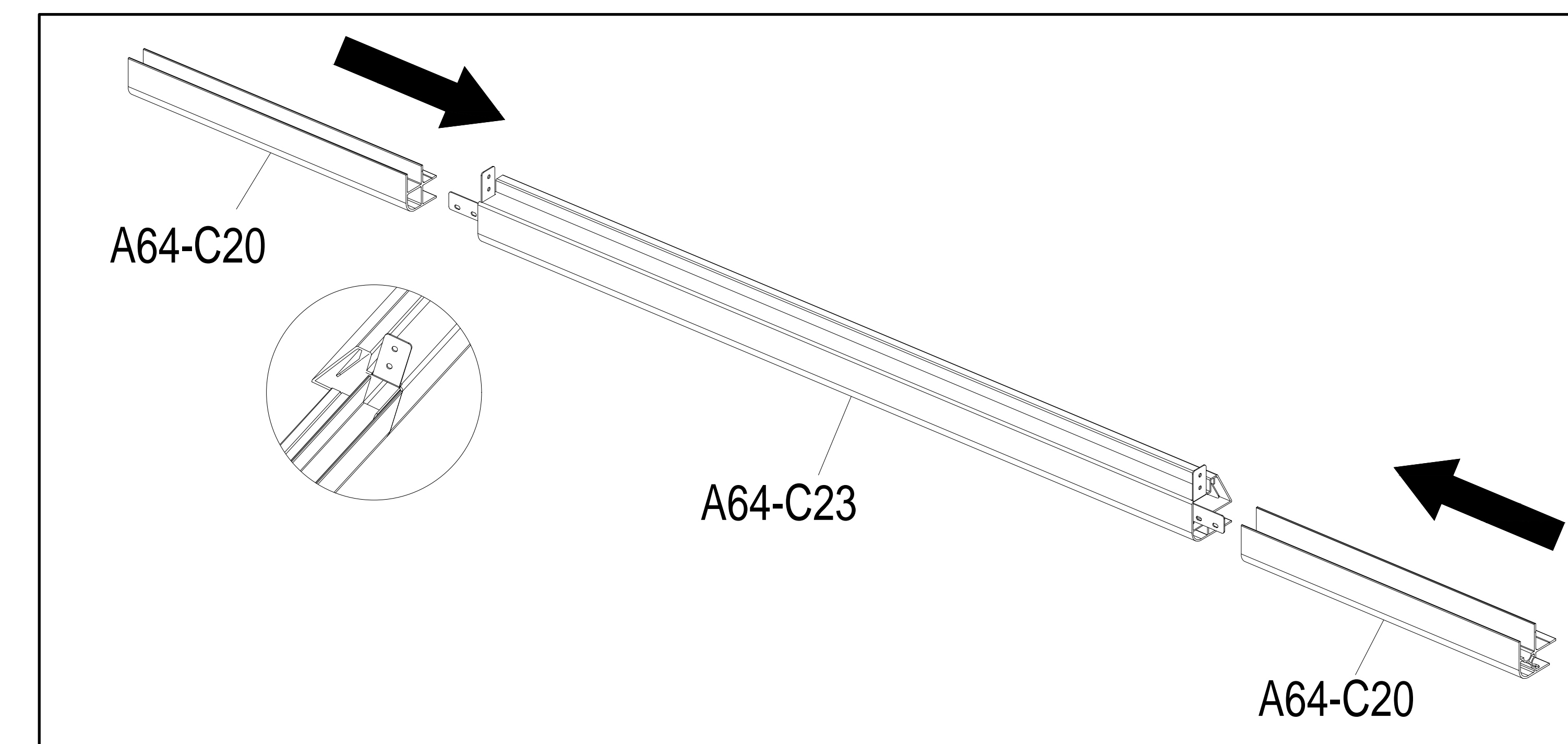
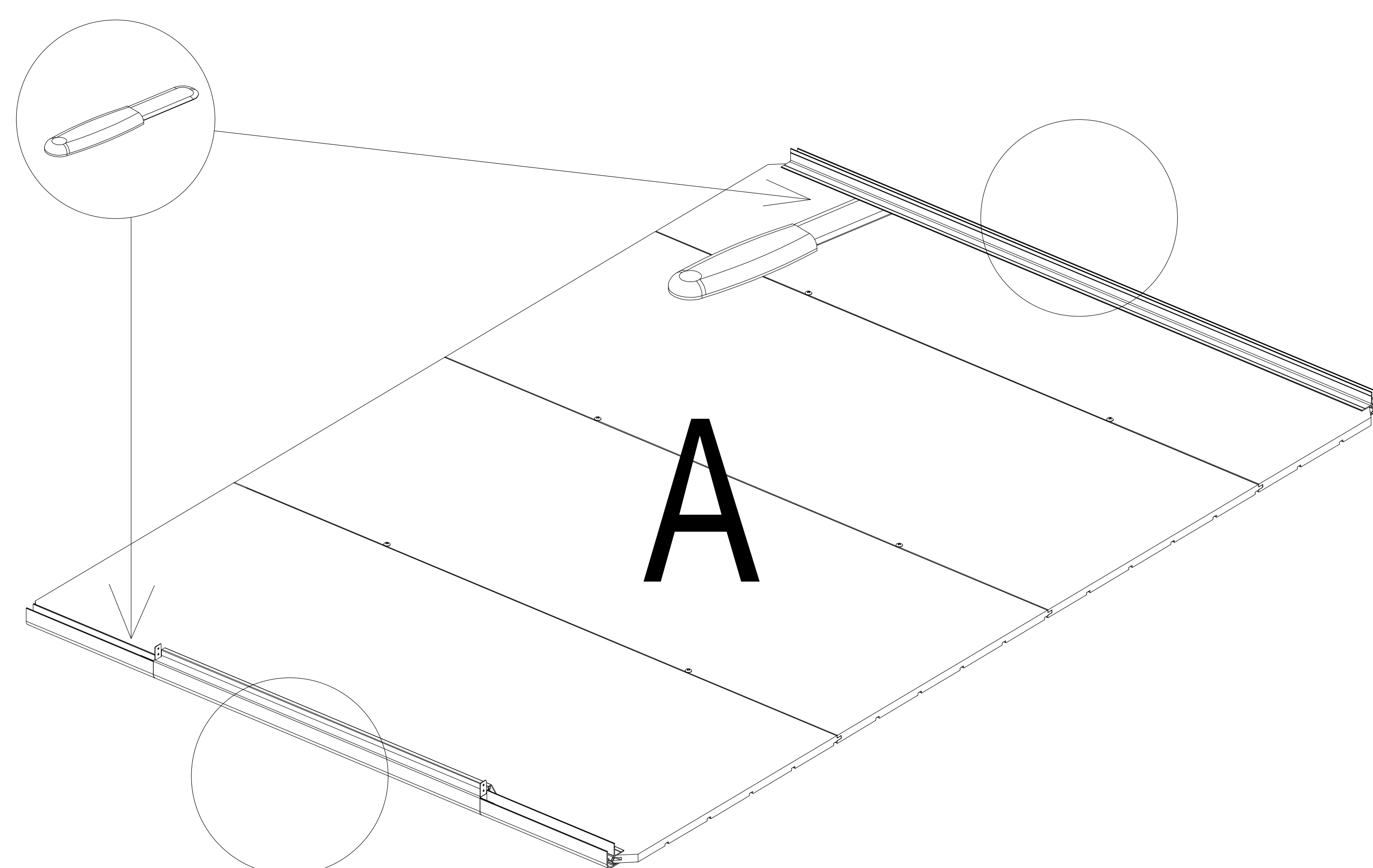
A64-C23 x1

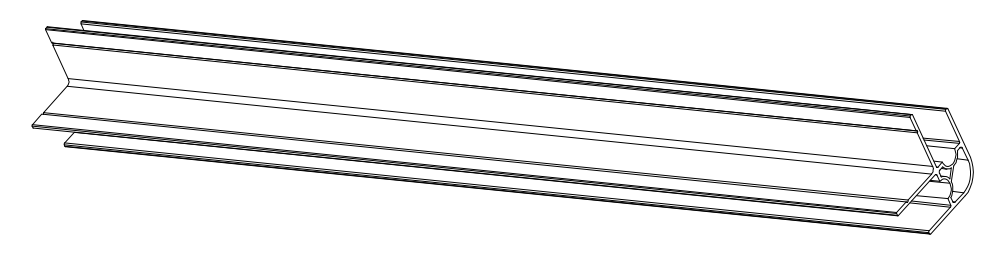


A64-C22 x1

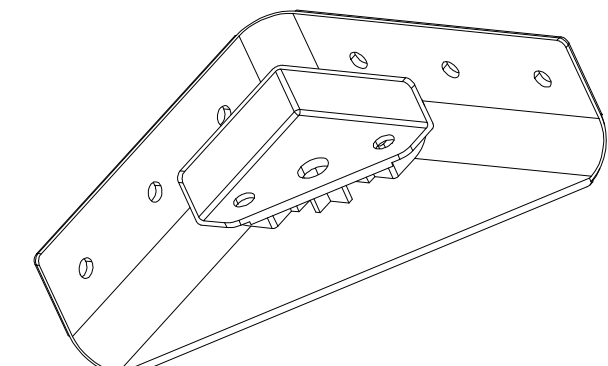


Please use rubber-knife to helping assembly.

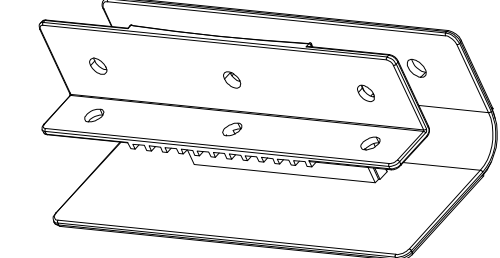




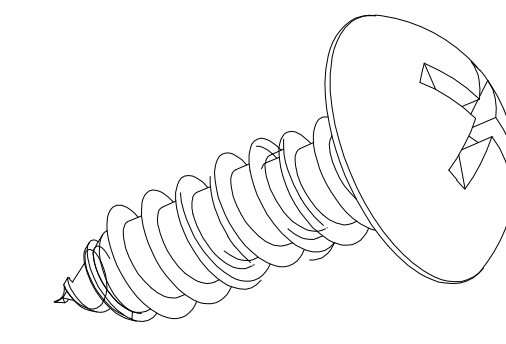
A64-C21 x4



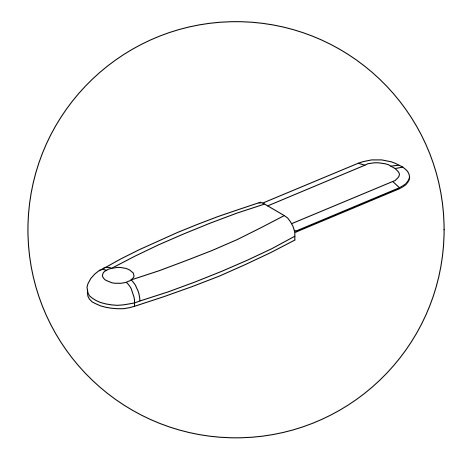
F35-C27 x4



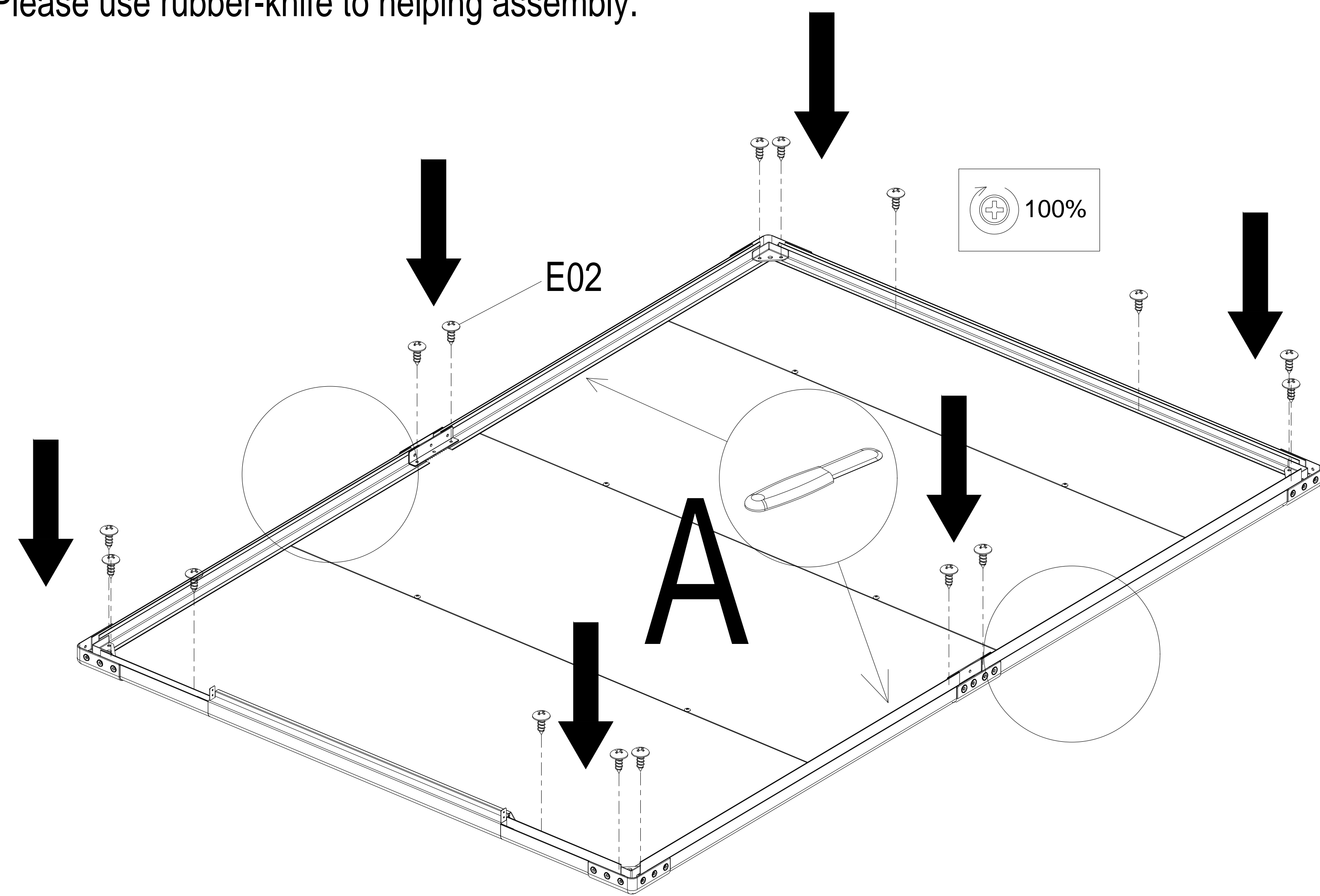
A64-C30 x2



(ST4.2x12)  
E02x16

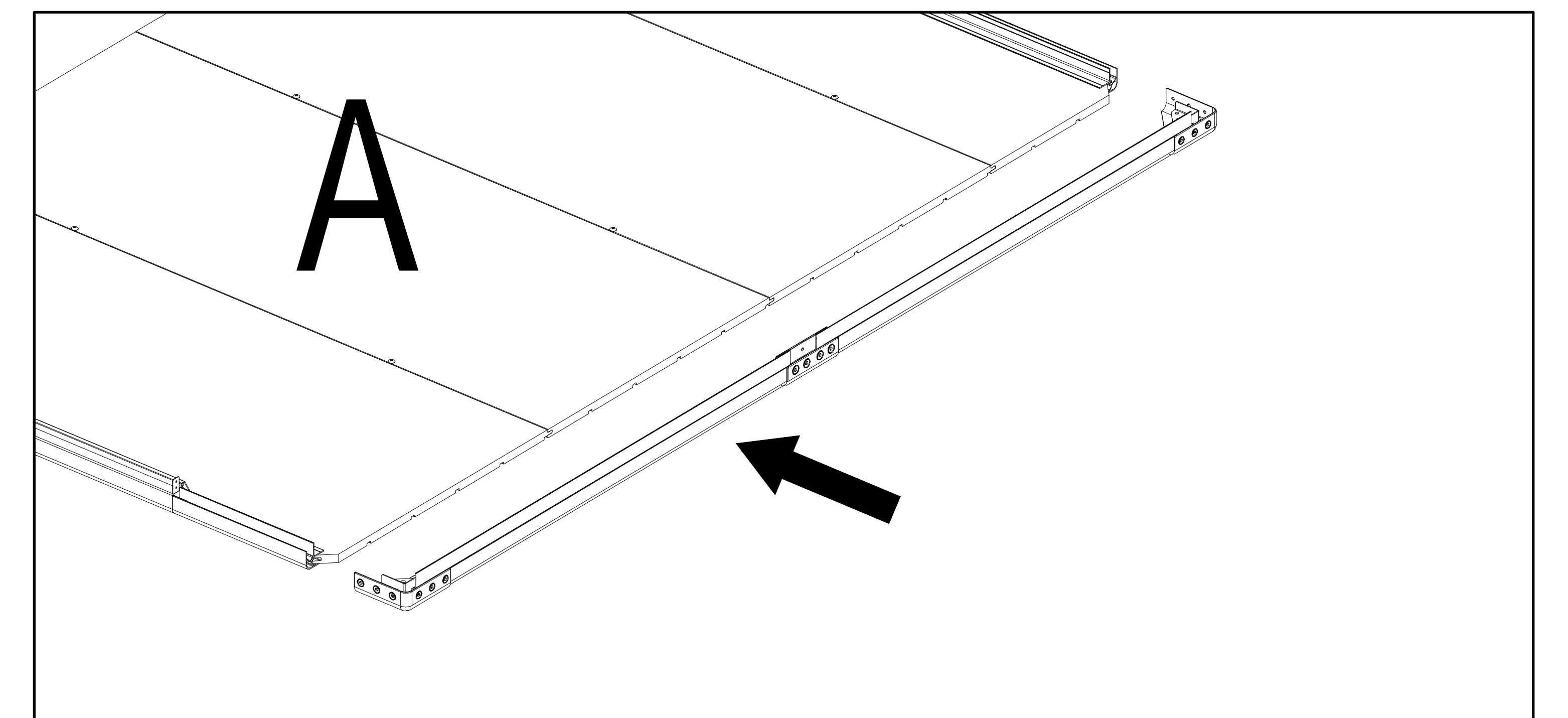
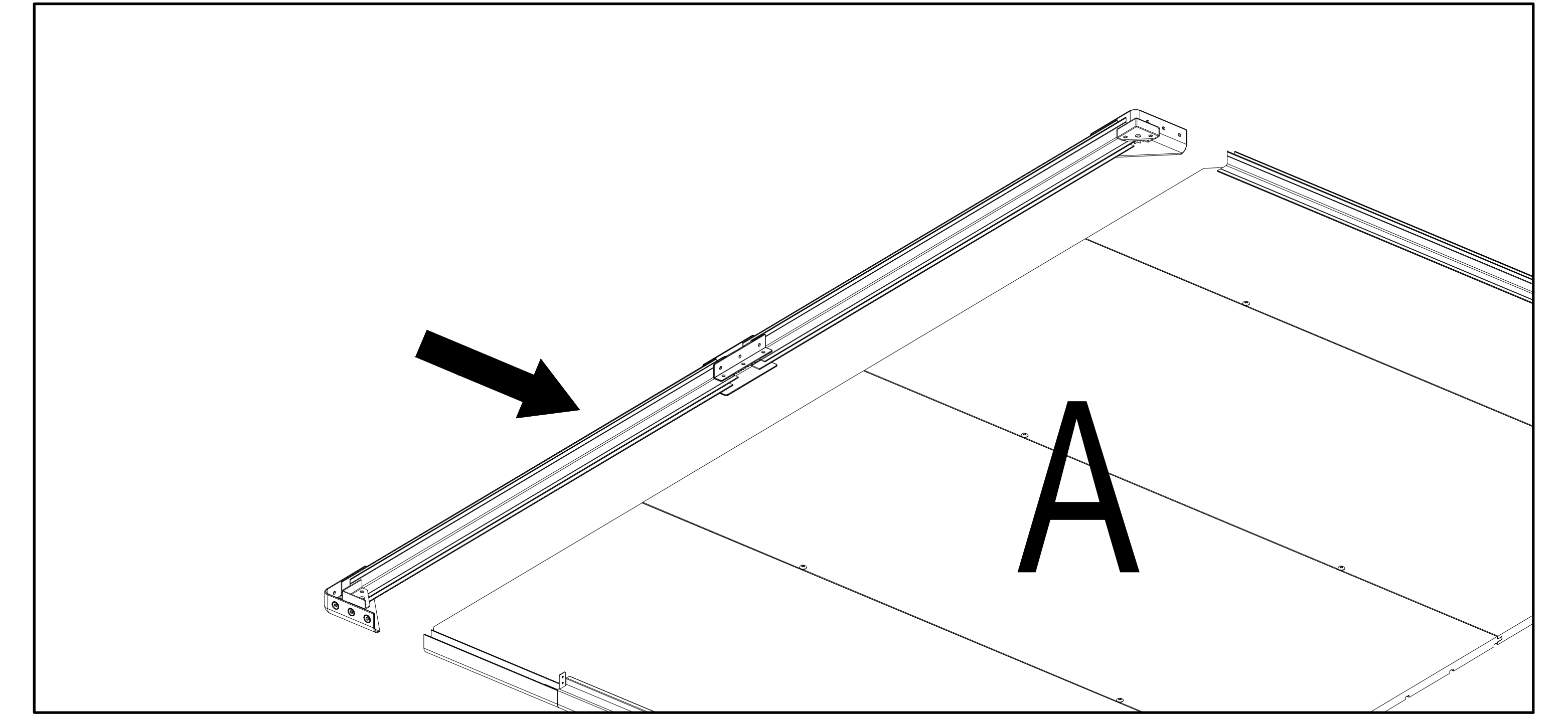
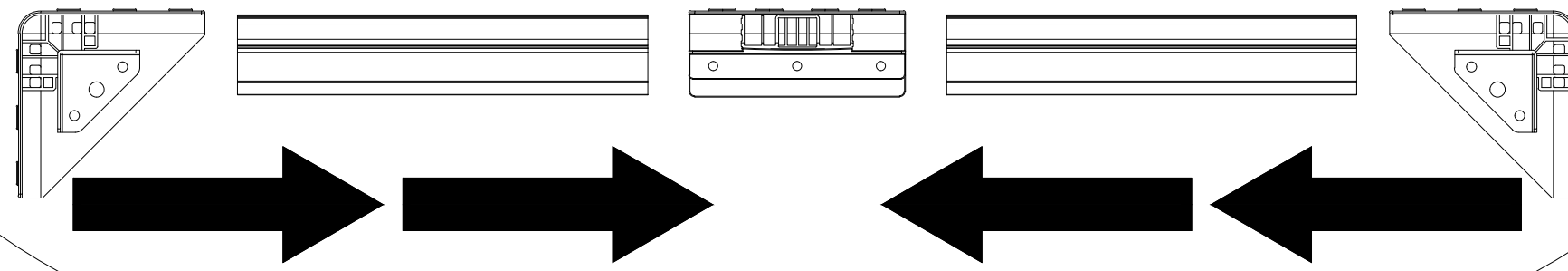


Please use rubber-knife to helping assembly.

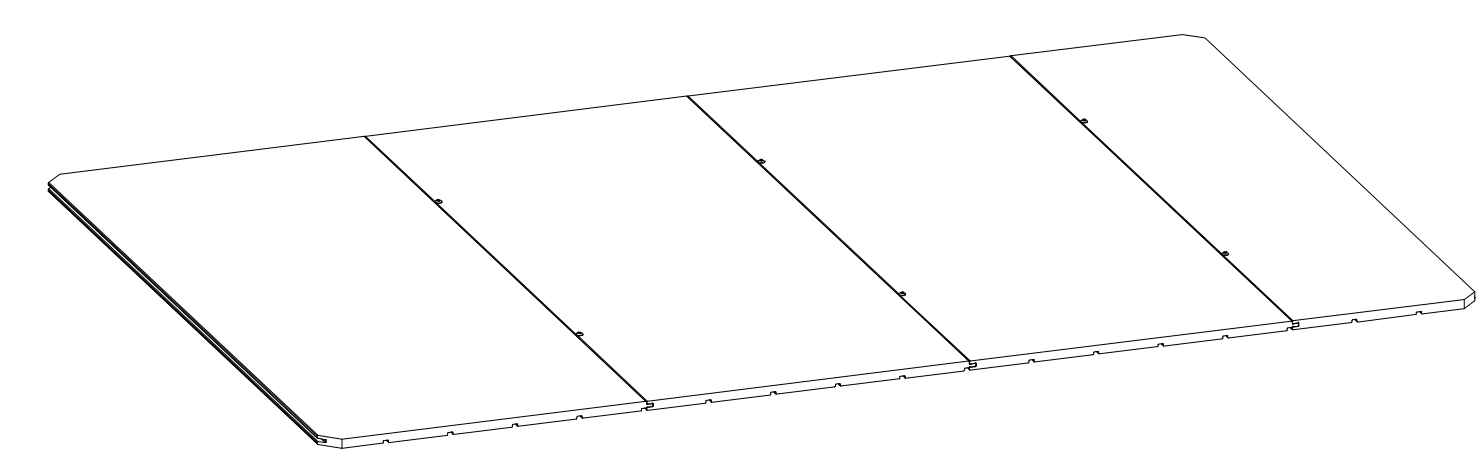


x2

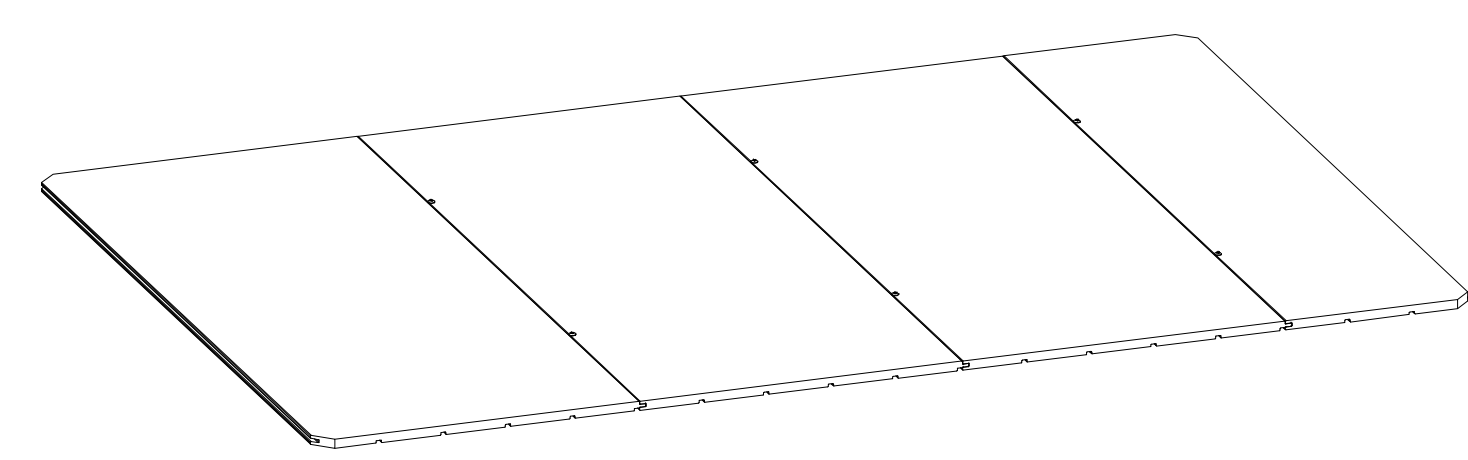
F35-C27 A64-C21 A64-C30 A64-C21 F35-C27



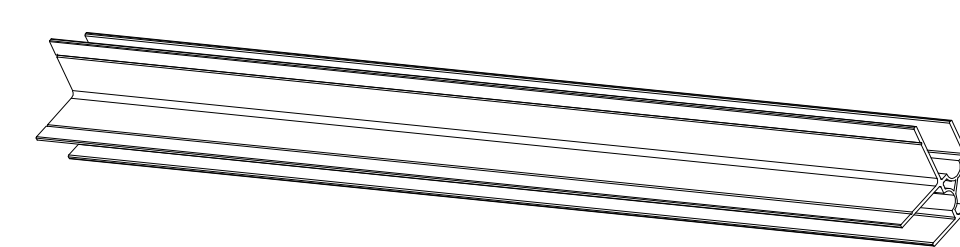




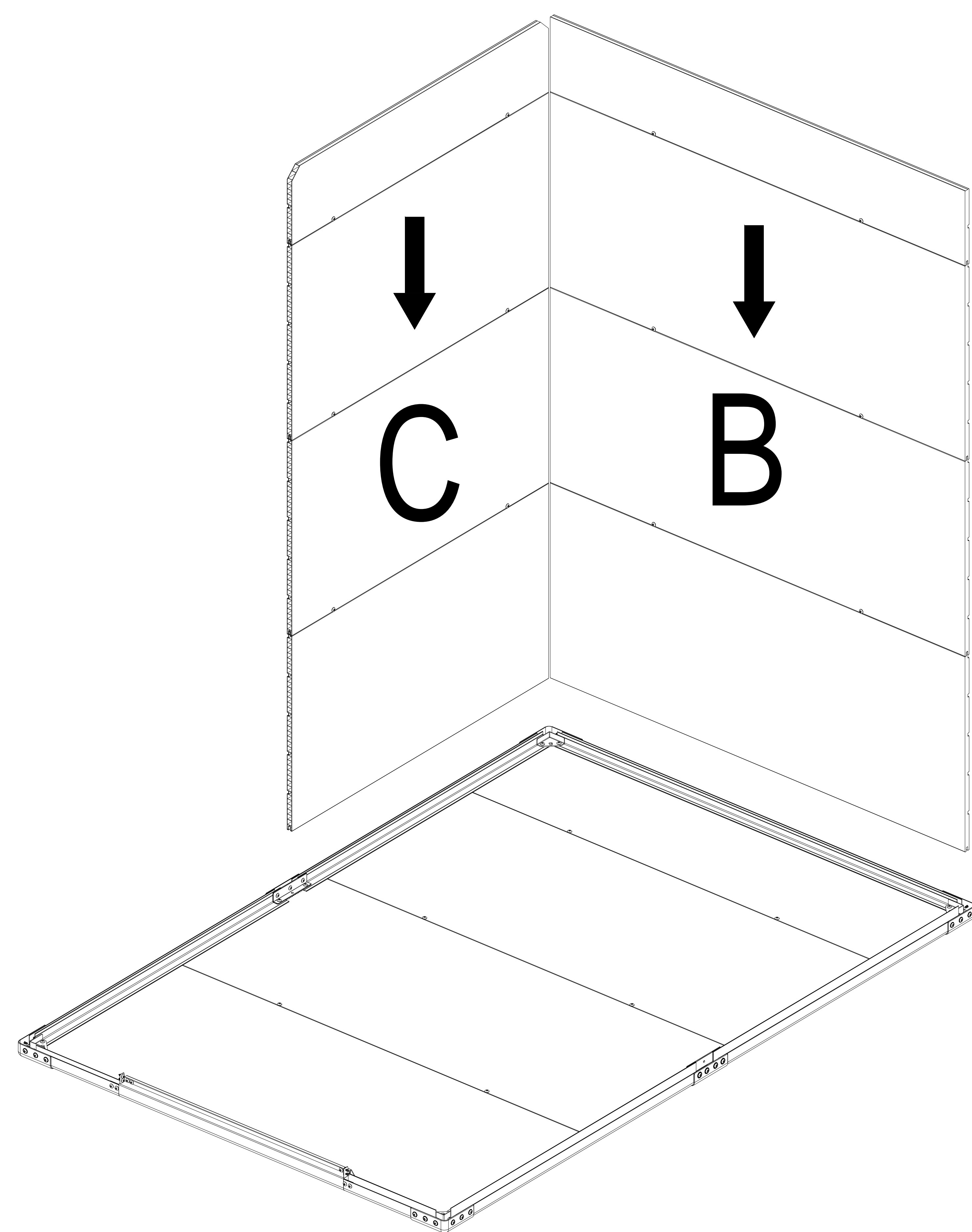
B



C x1

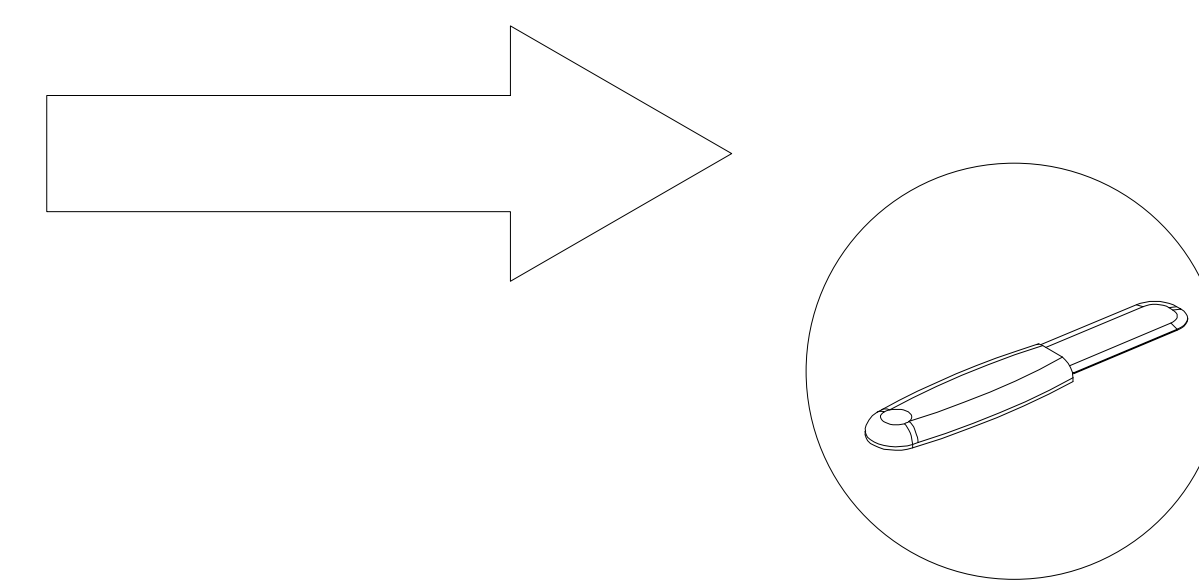


A64-C19 x1

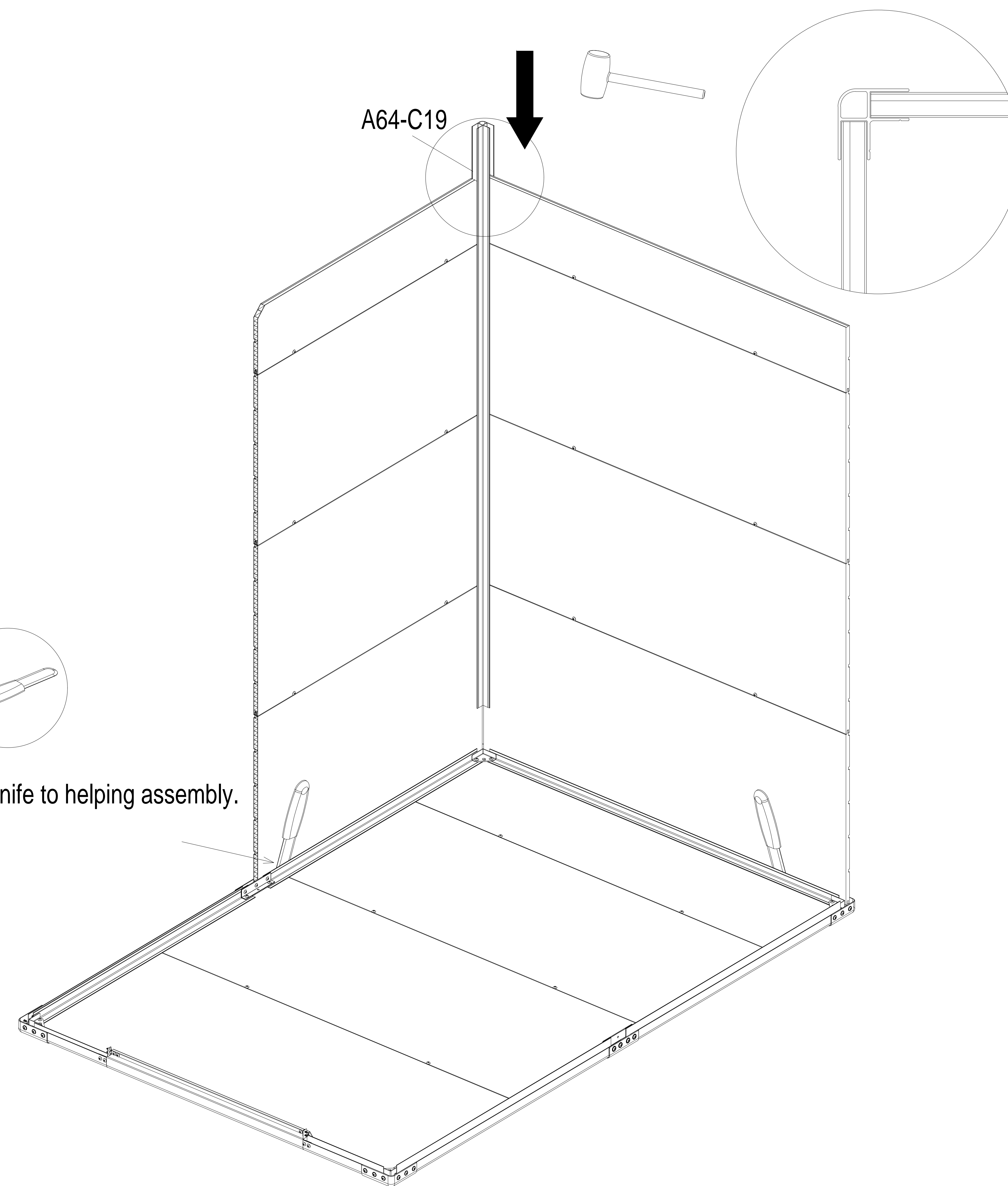


C

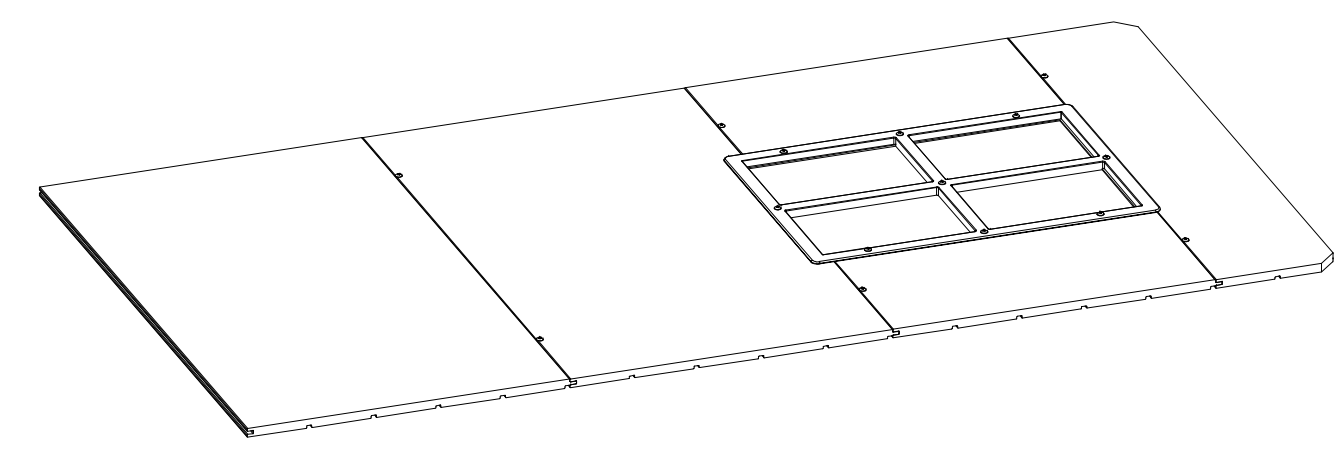
B



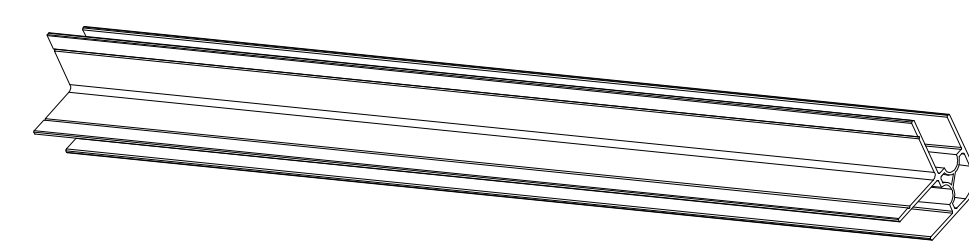
Please use rubber-knife to helping assembly.



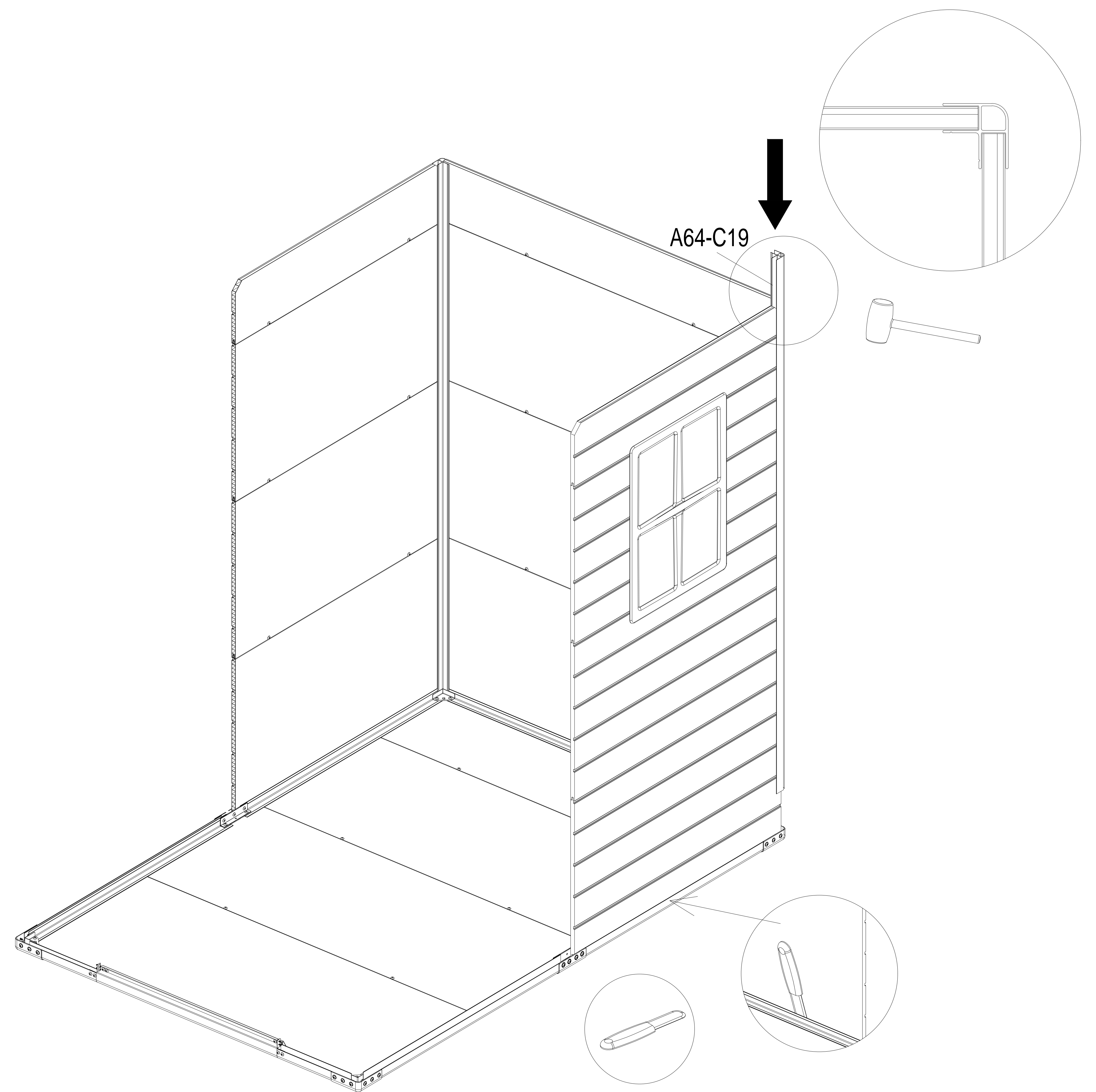
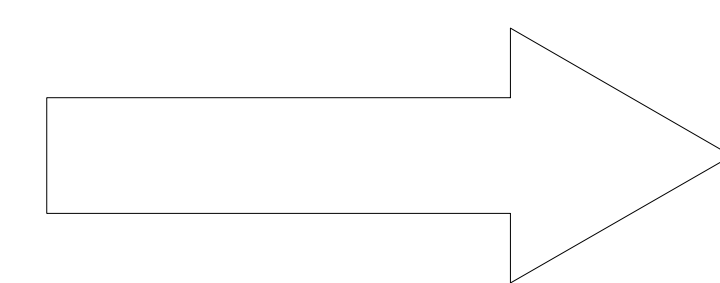
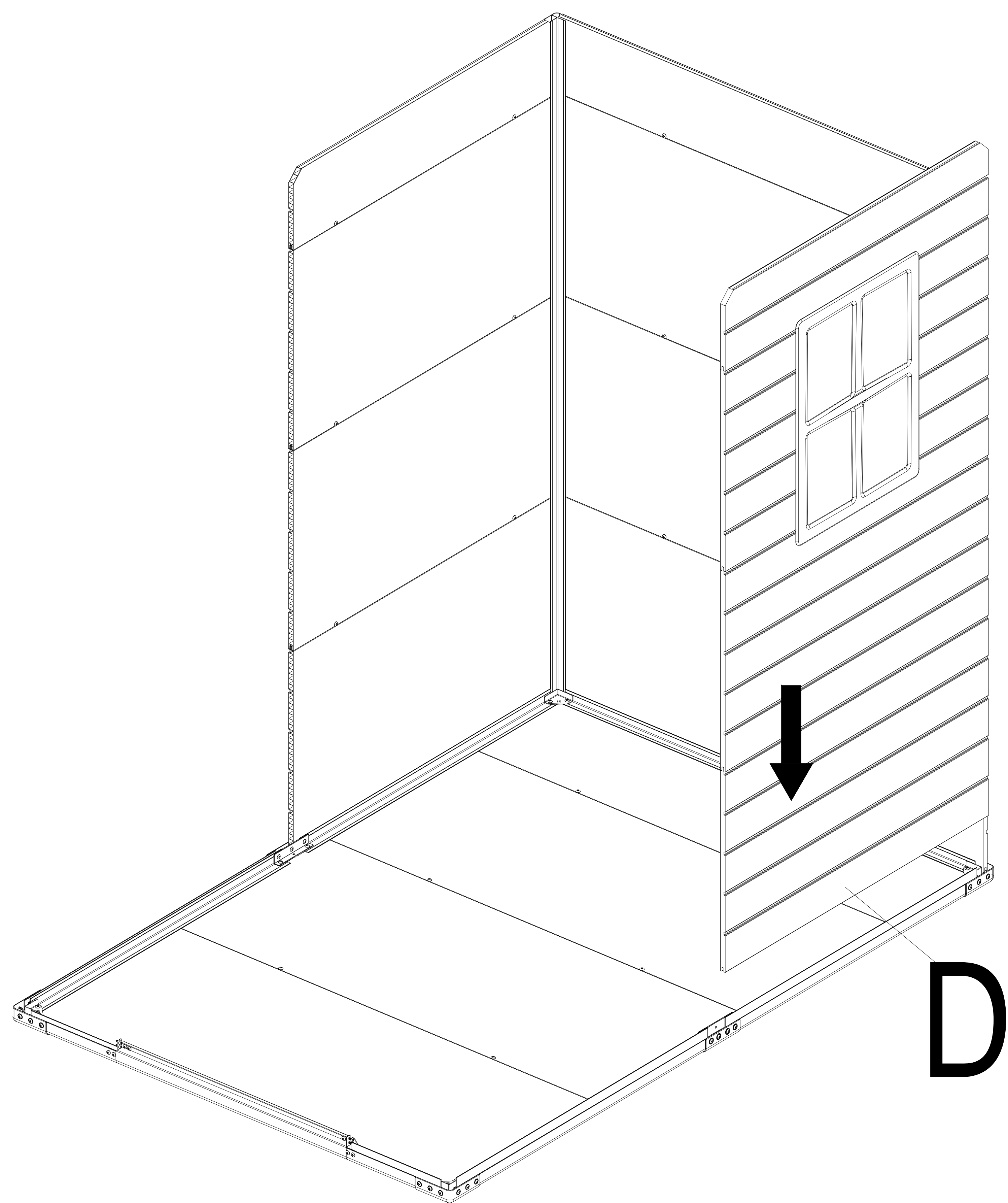
A64-C19



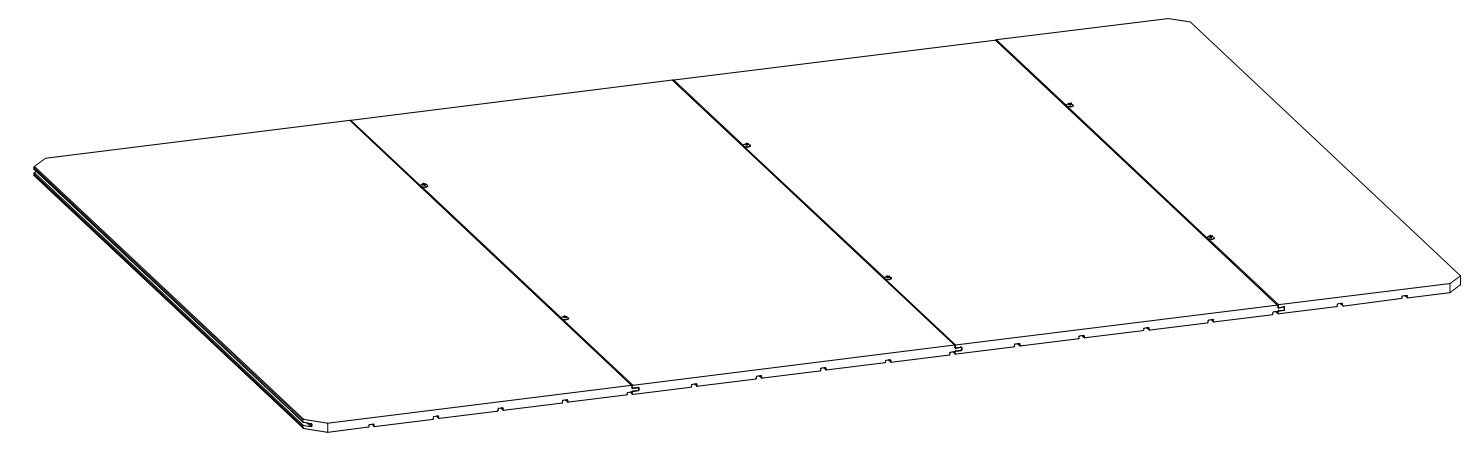
D x1



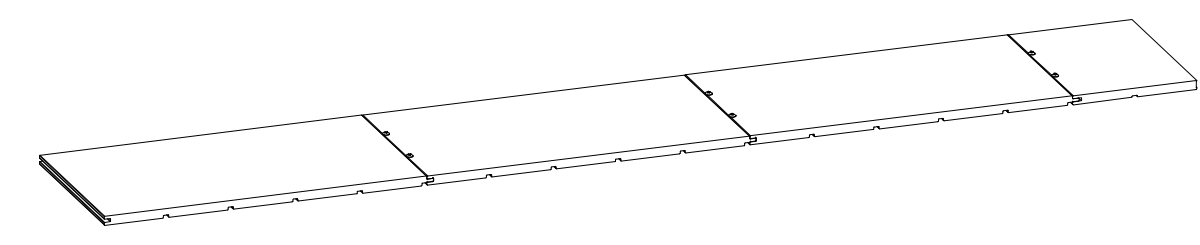
A64-C19 x1



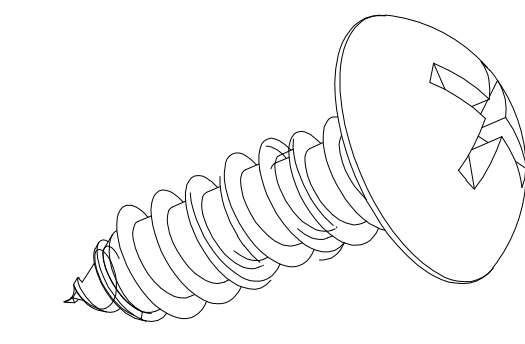
Please use rubber-knife to helping assembly.



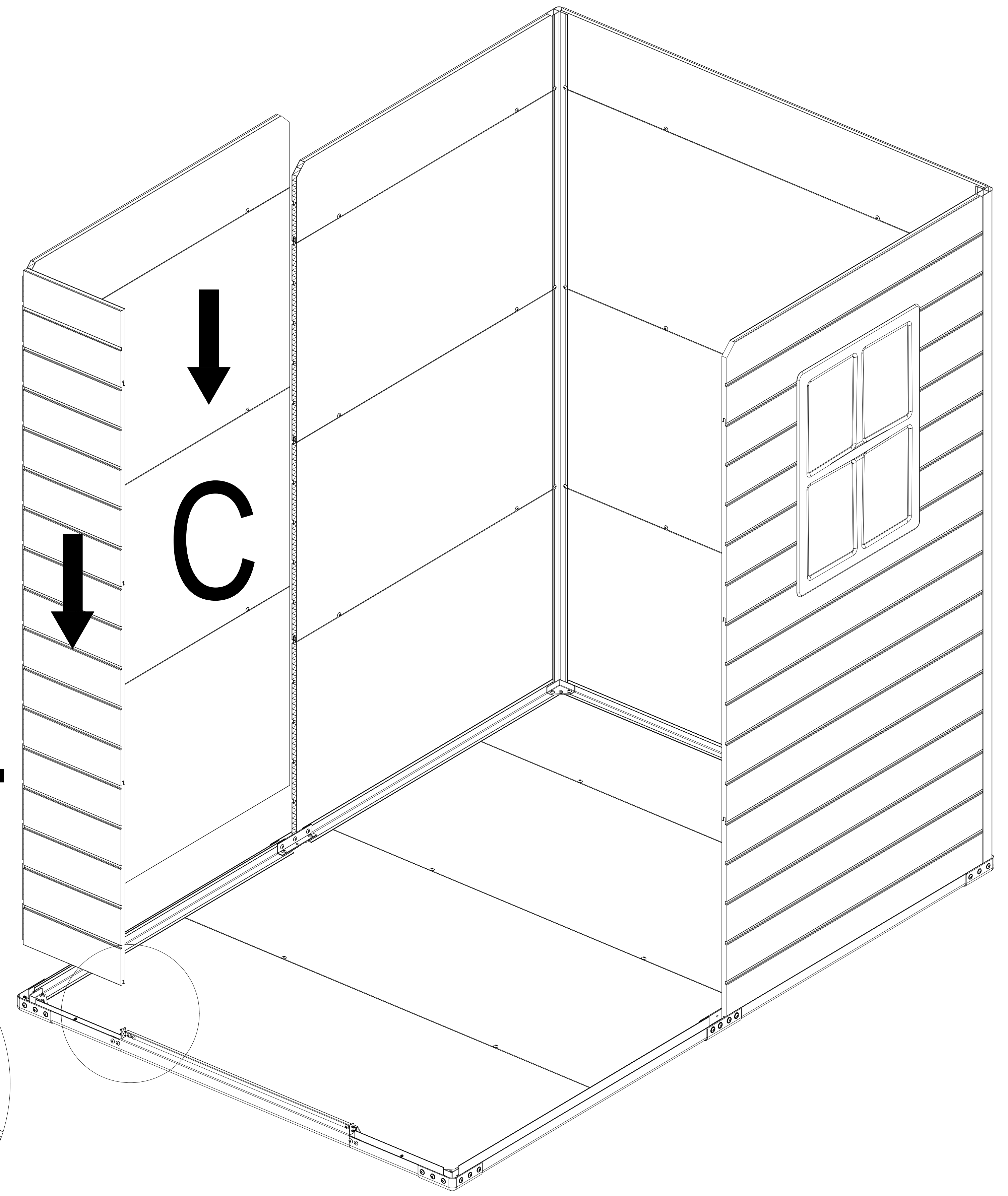
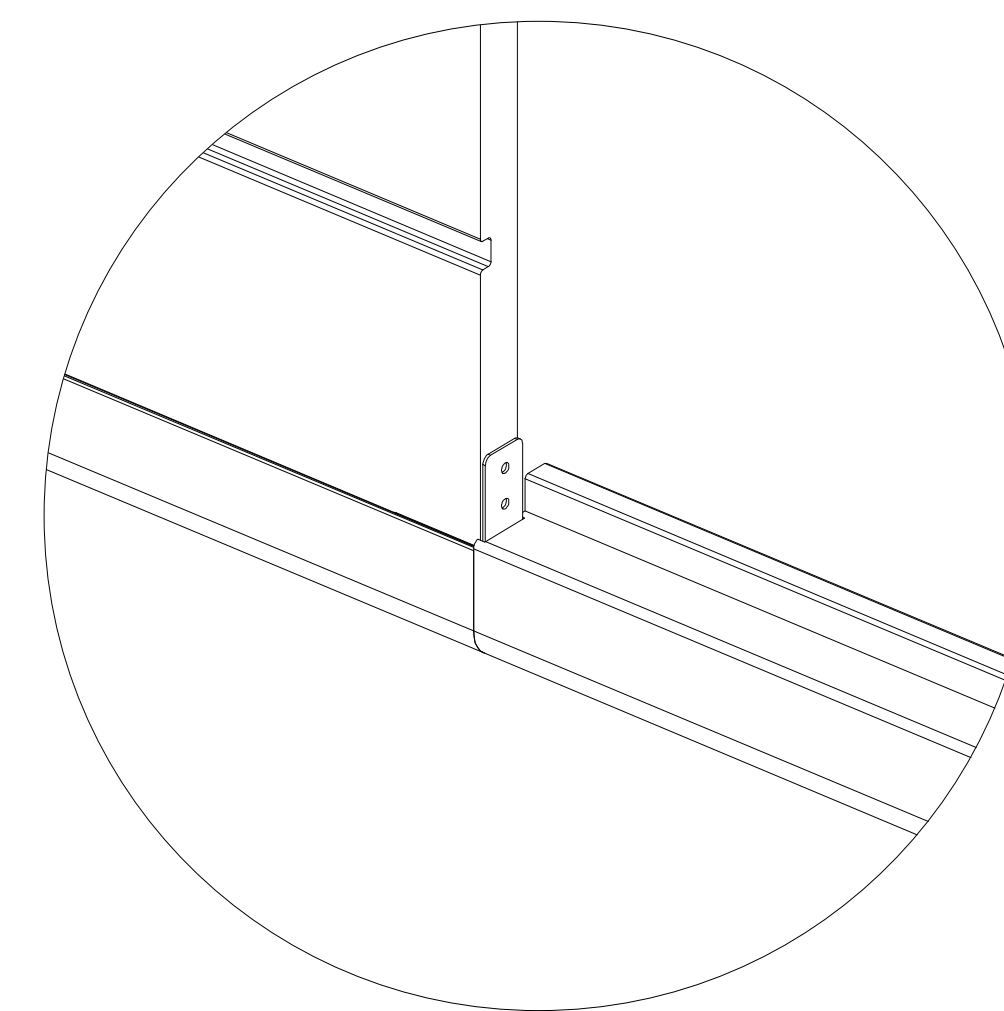
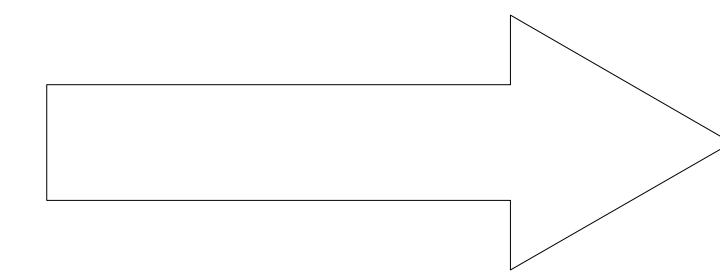
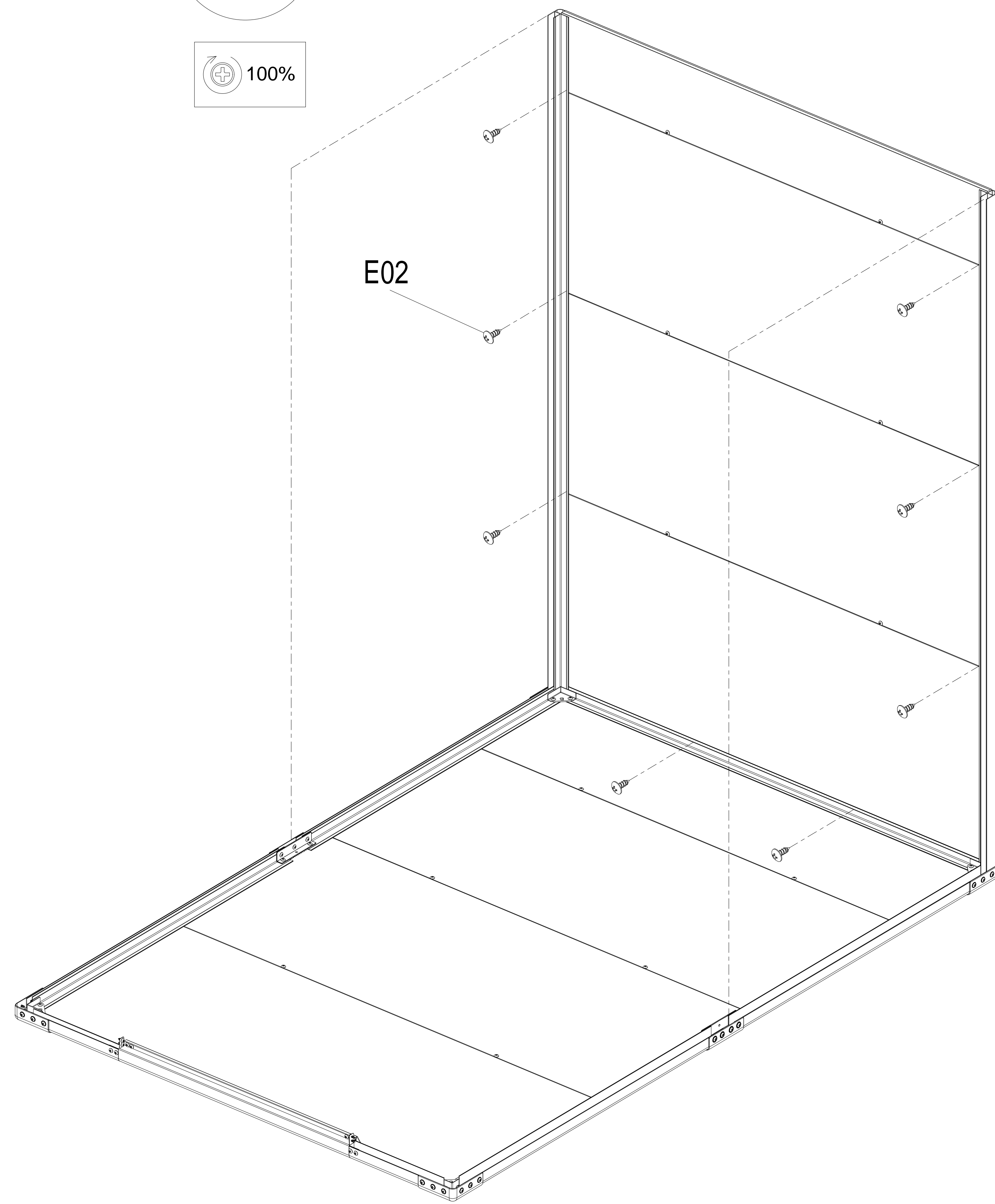
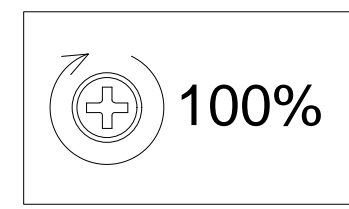
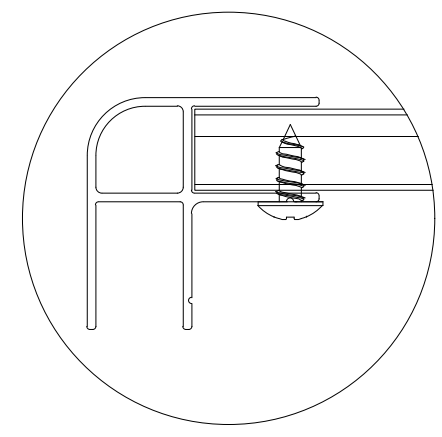
C x1



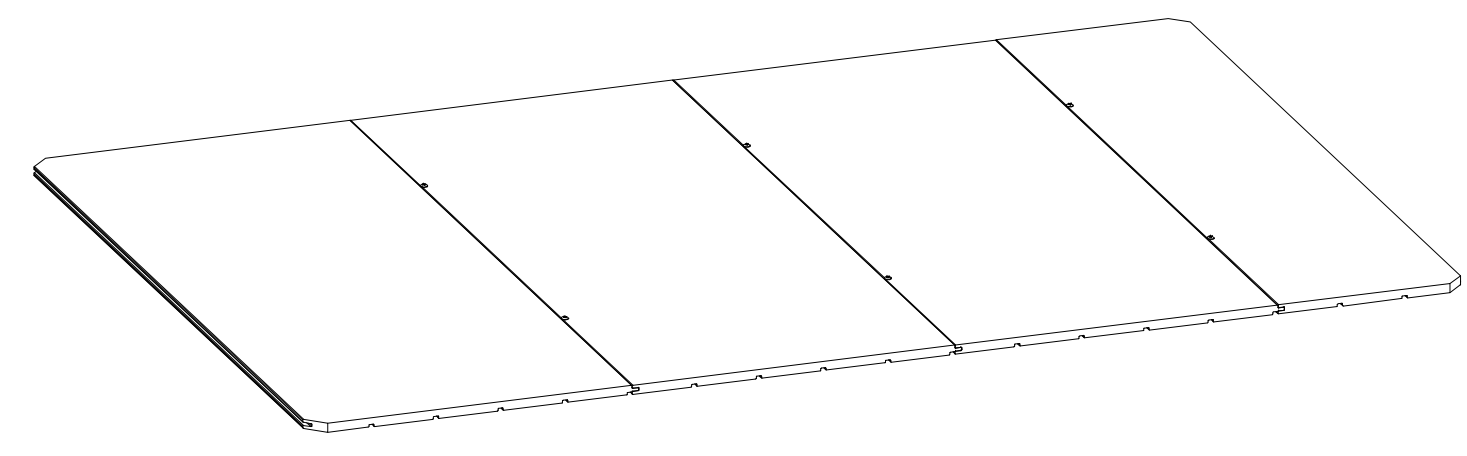
F x1



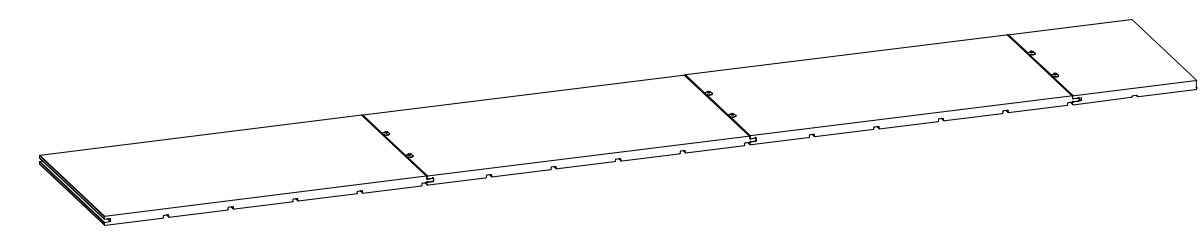
(ST4.2x12)  
E02x8



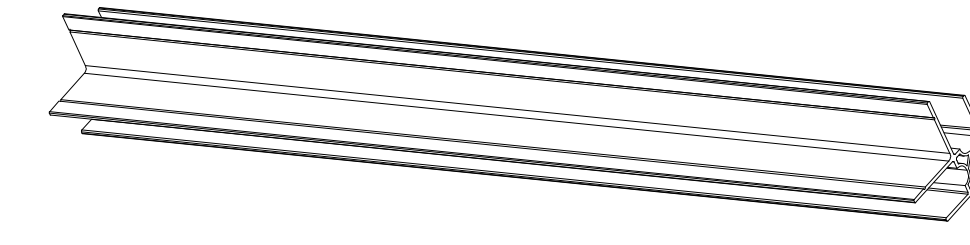




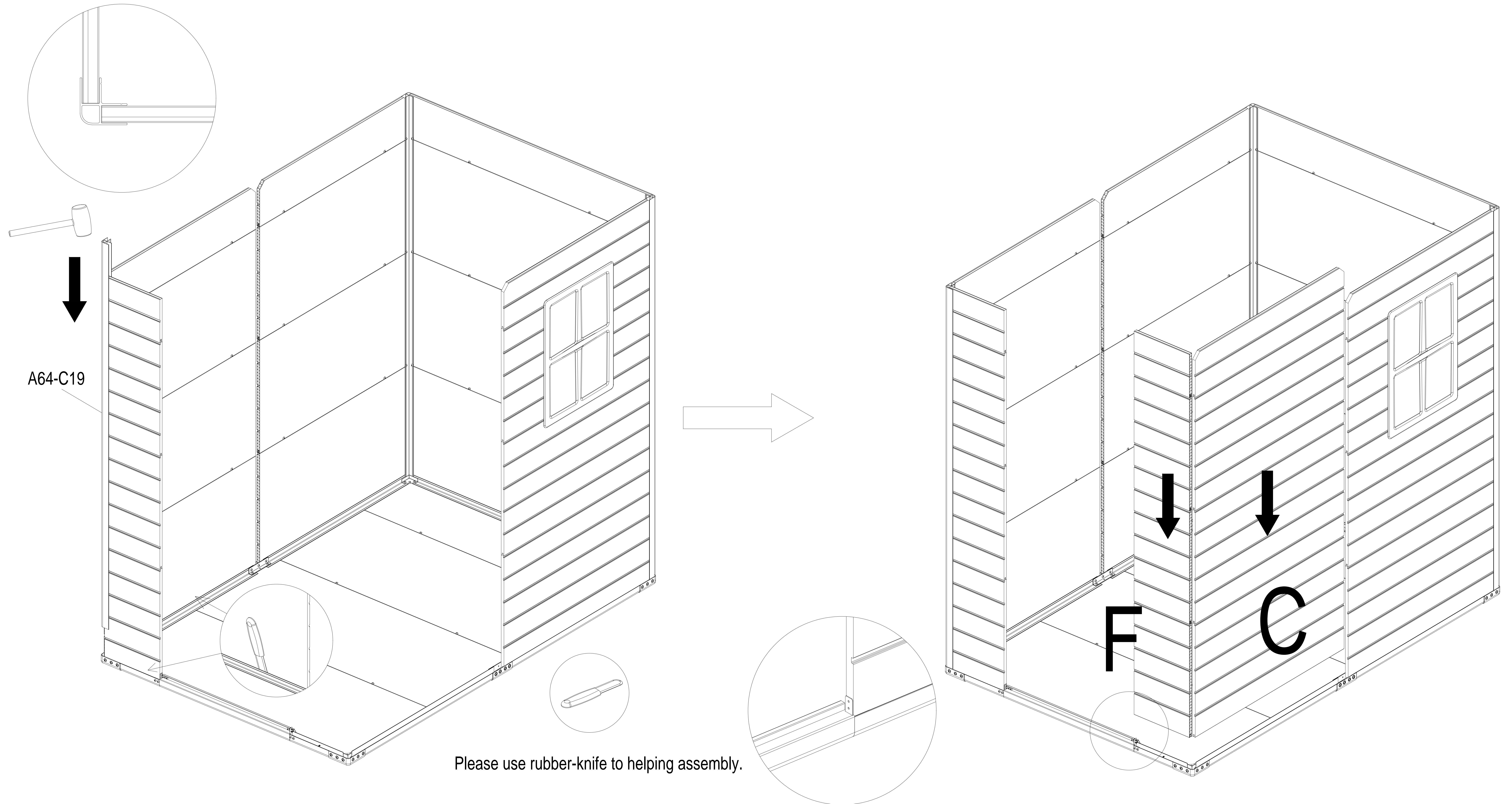
C x1



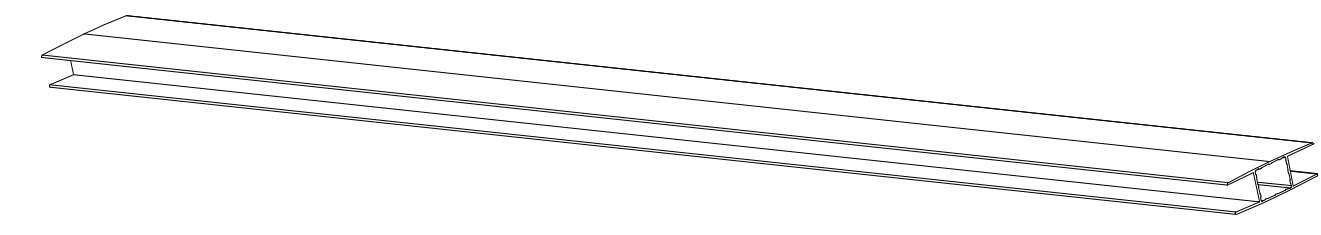
F x1



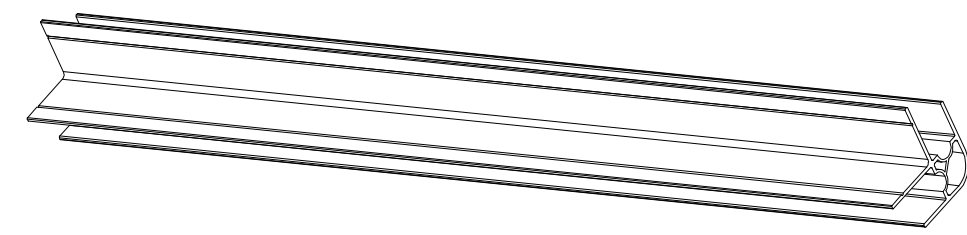
A64-C19 x1



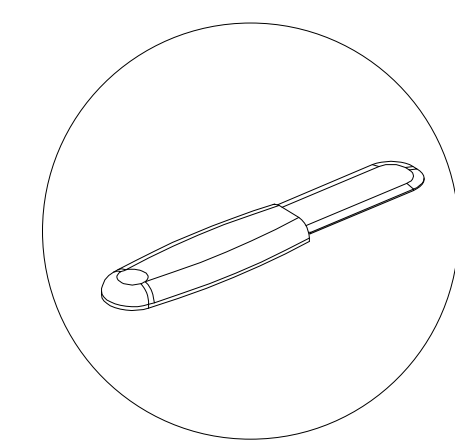
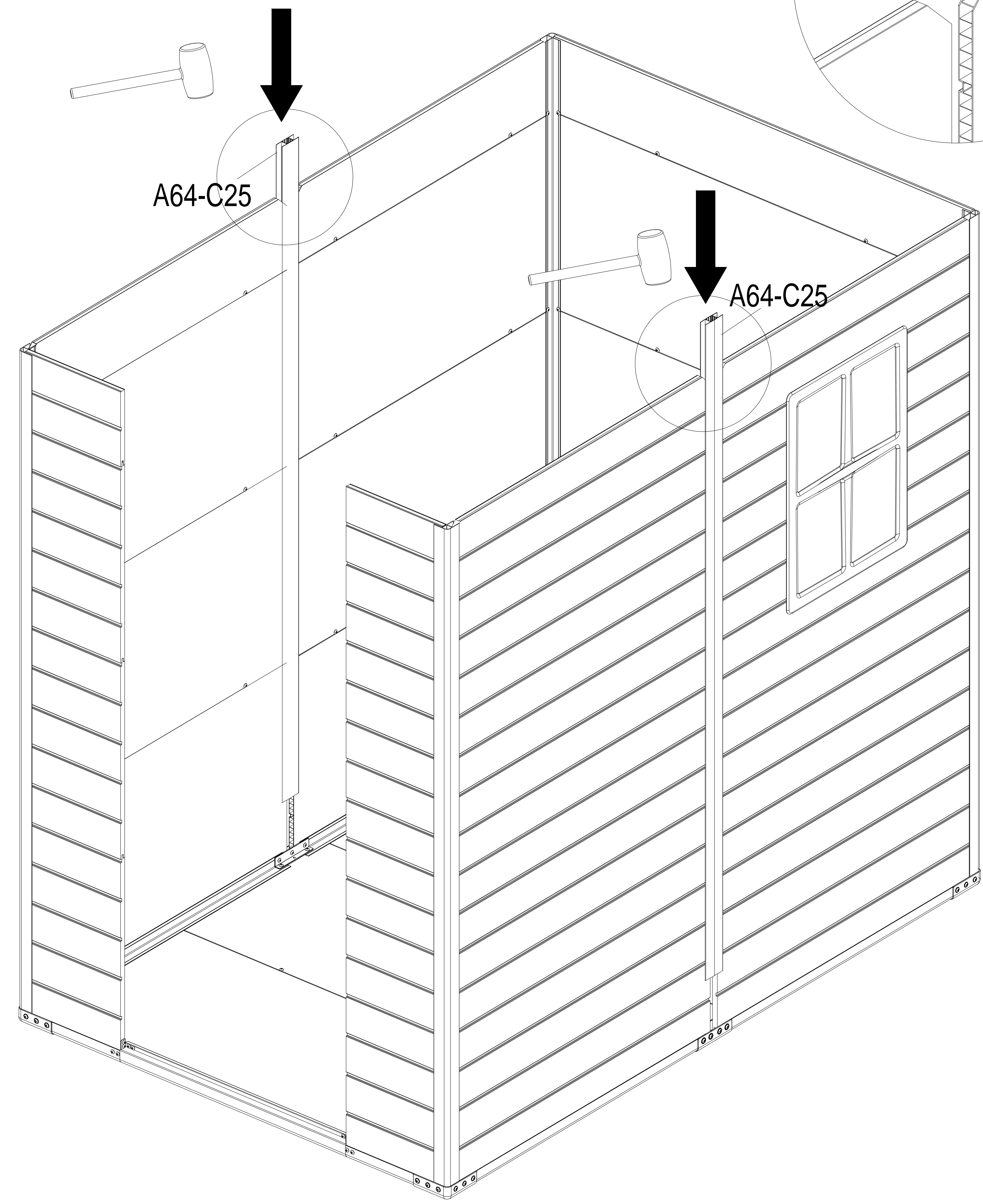
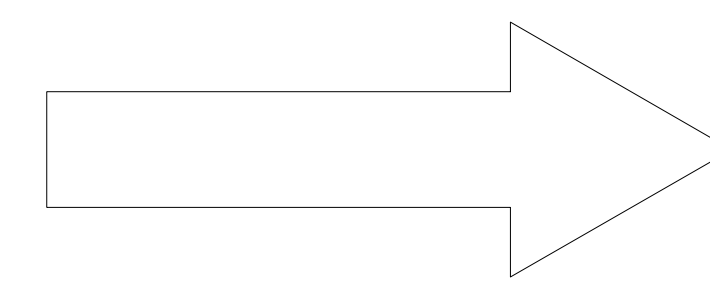
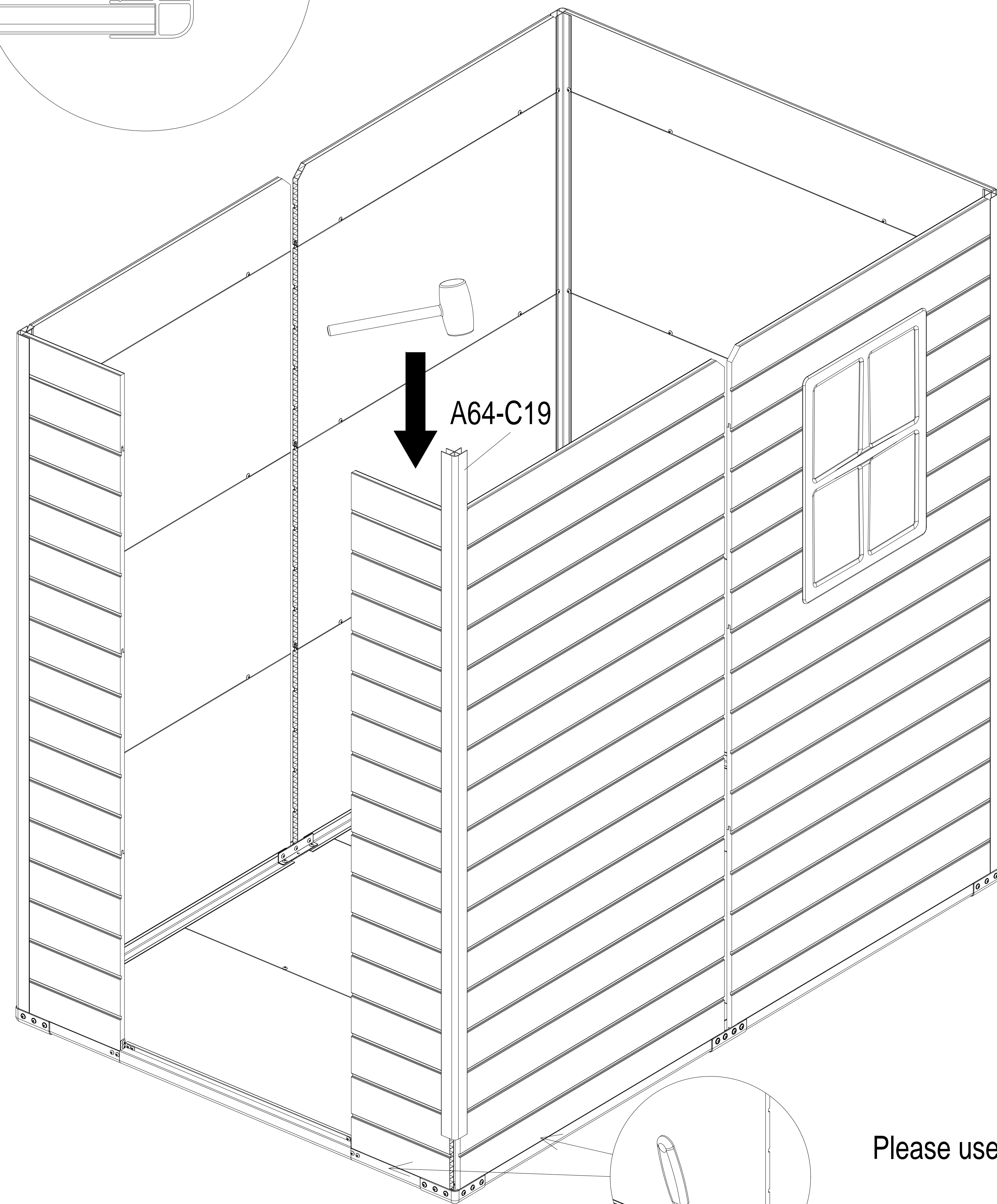
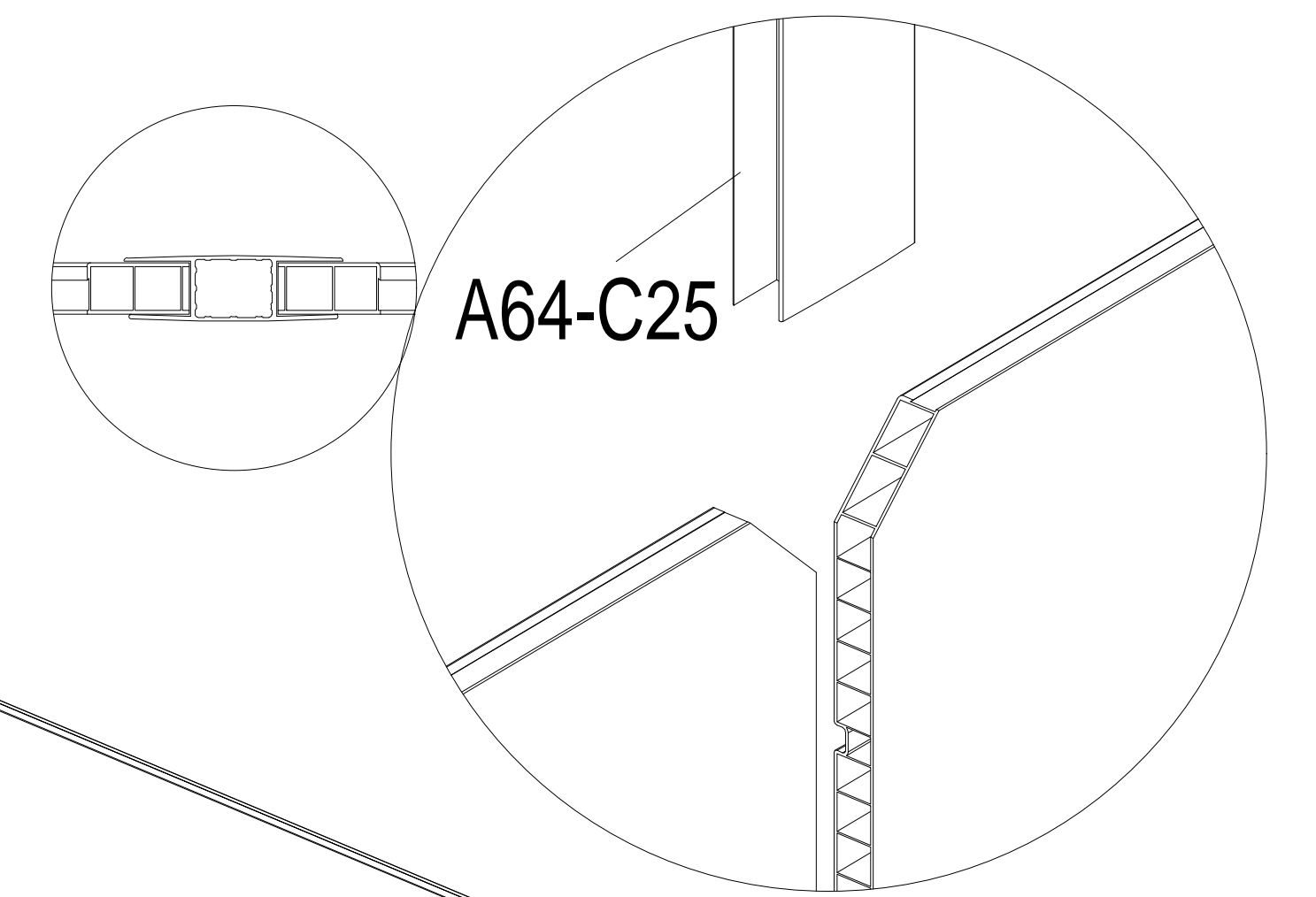
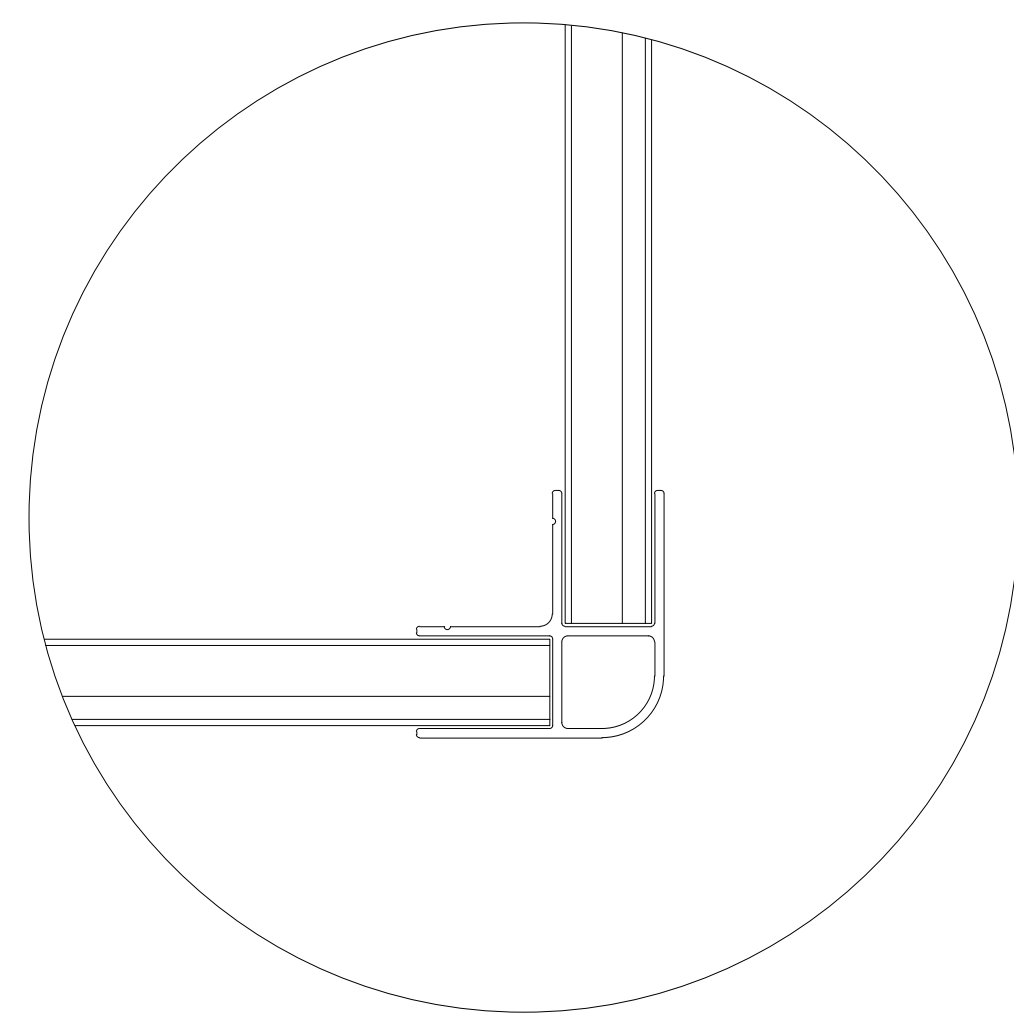
Please use rubber-knife to helping assembly.



A64-C25 x2

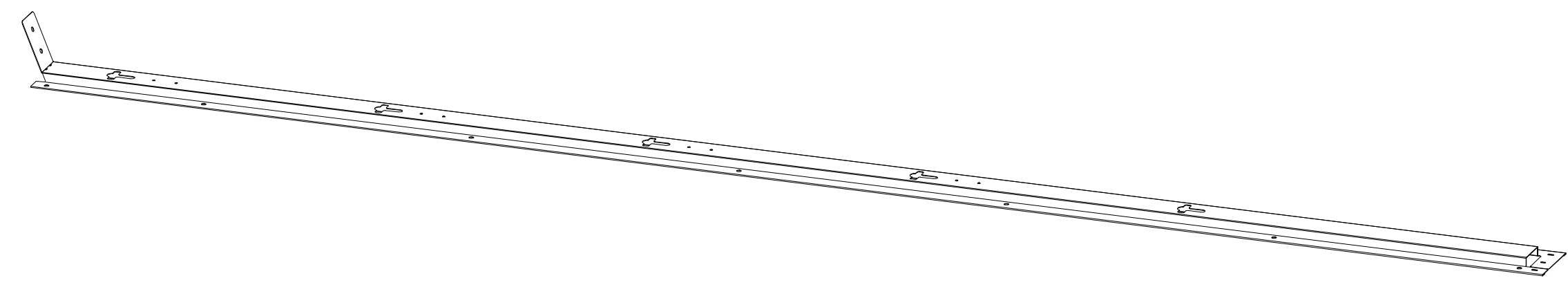


A64-C19 x1

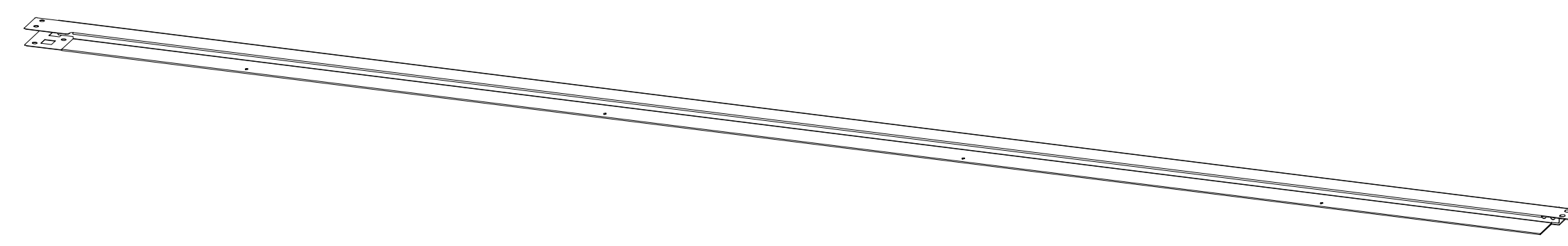


Please use rubber-knife to helping assembly.

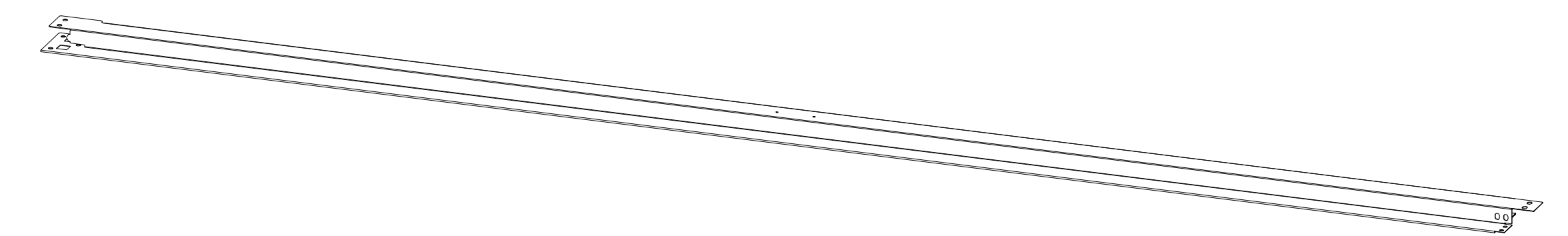




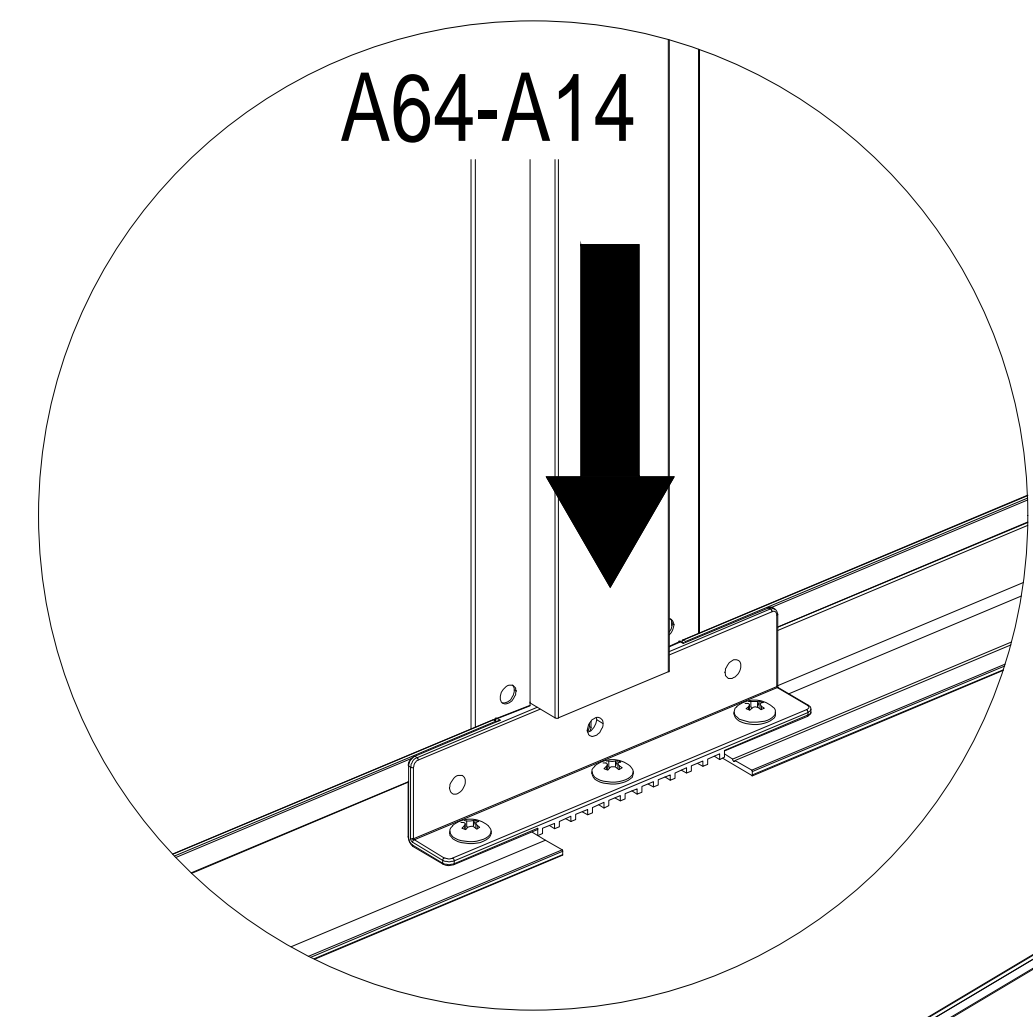
A64-A14 x2



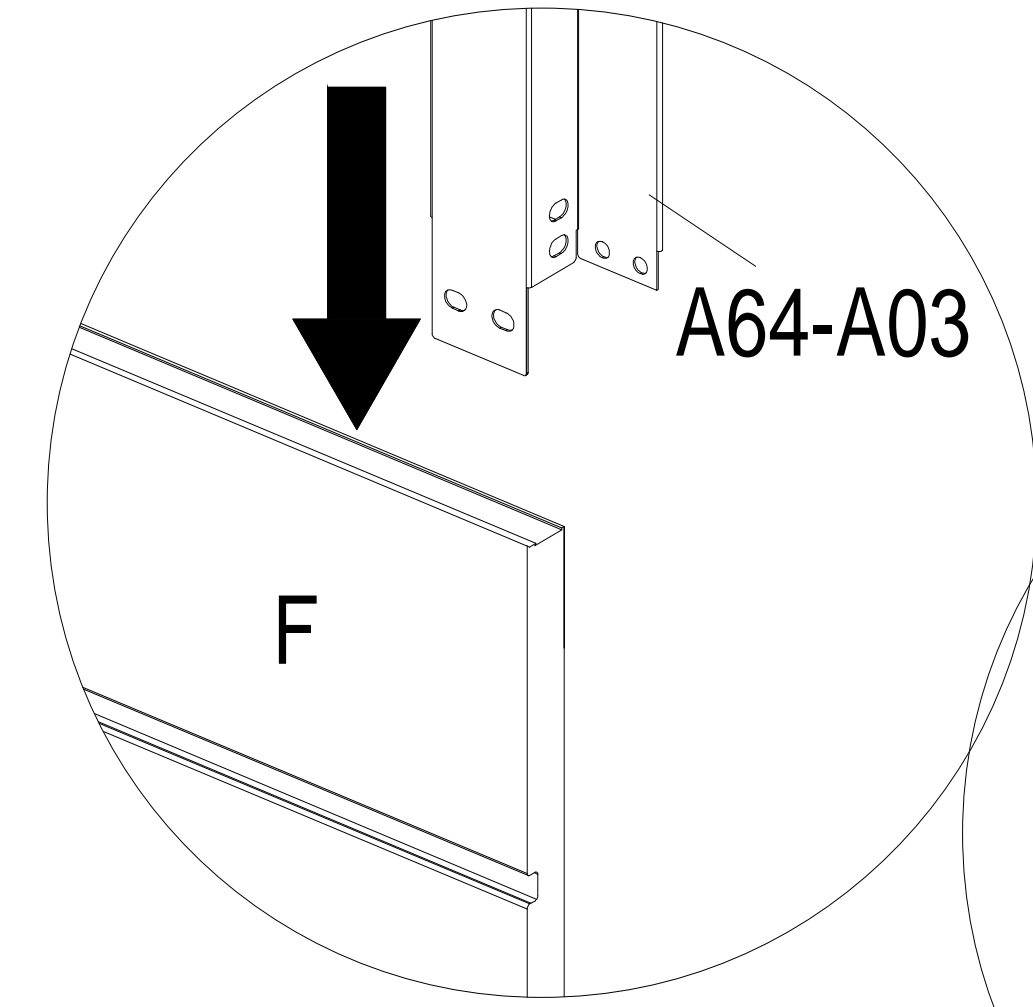
A64-A03 x1



A64-A01 x1

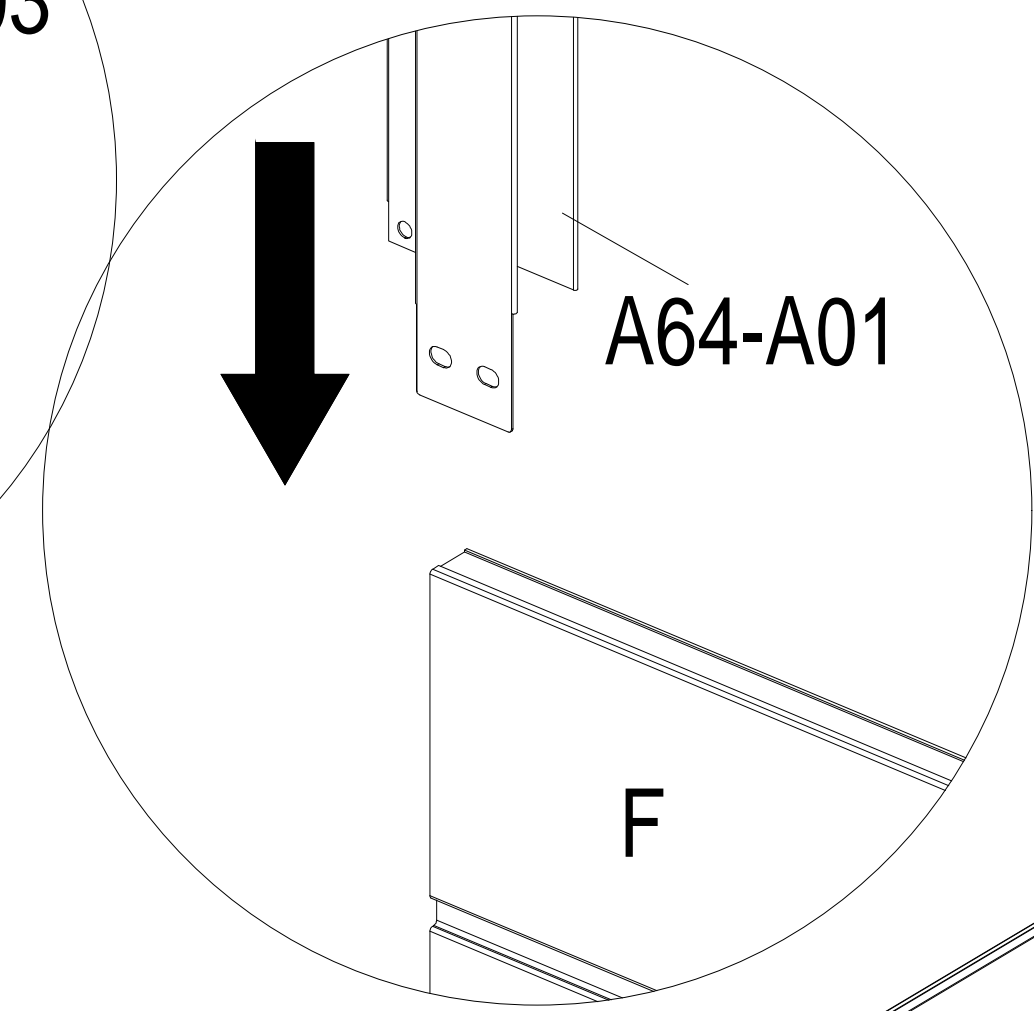


A64-A14



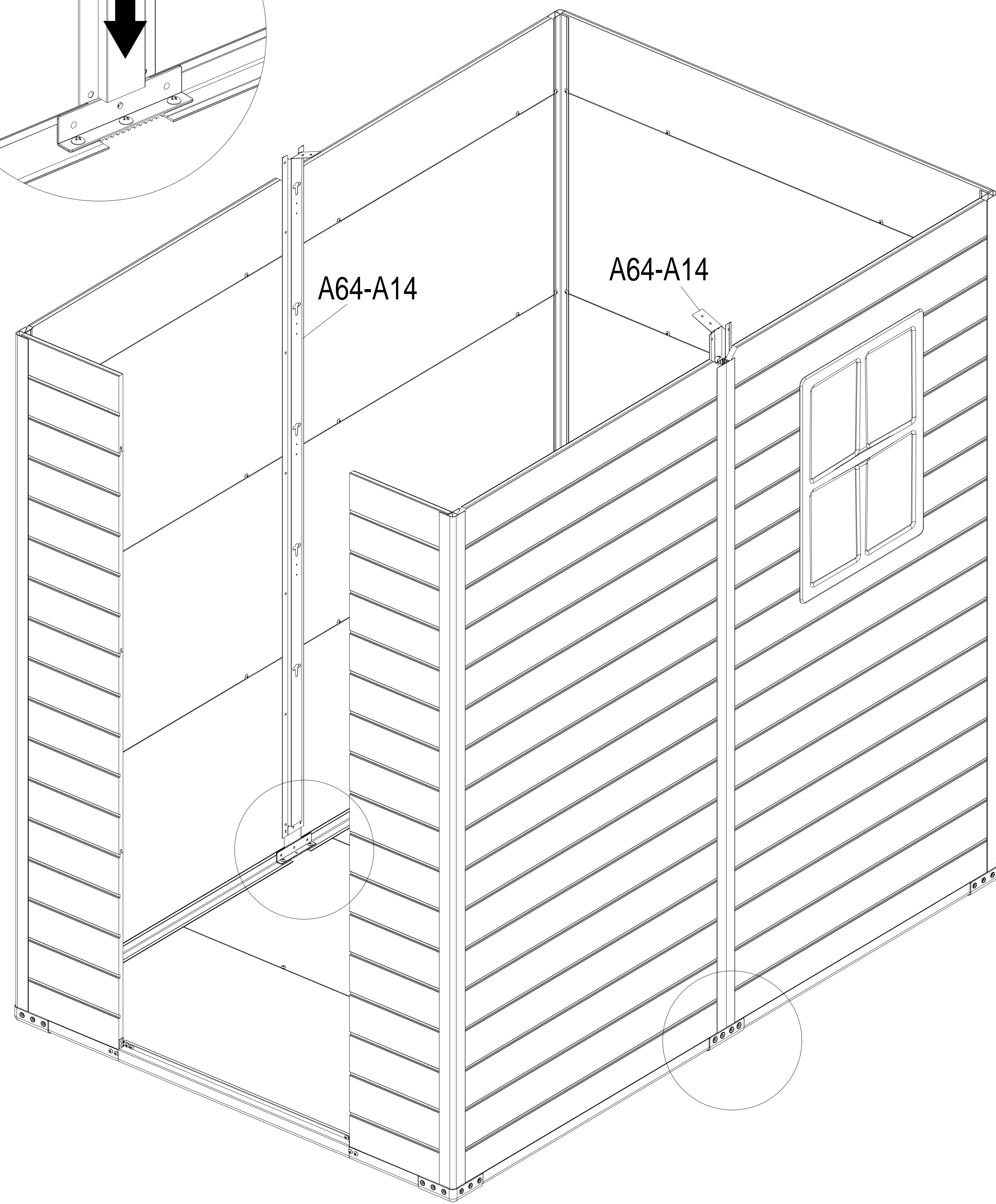
A64-A03

F



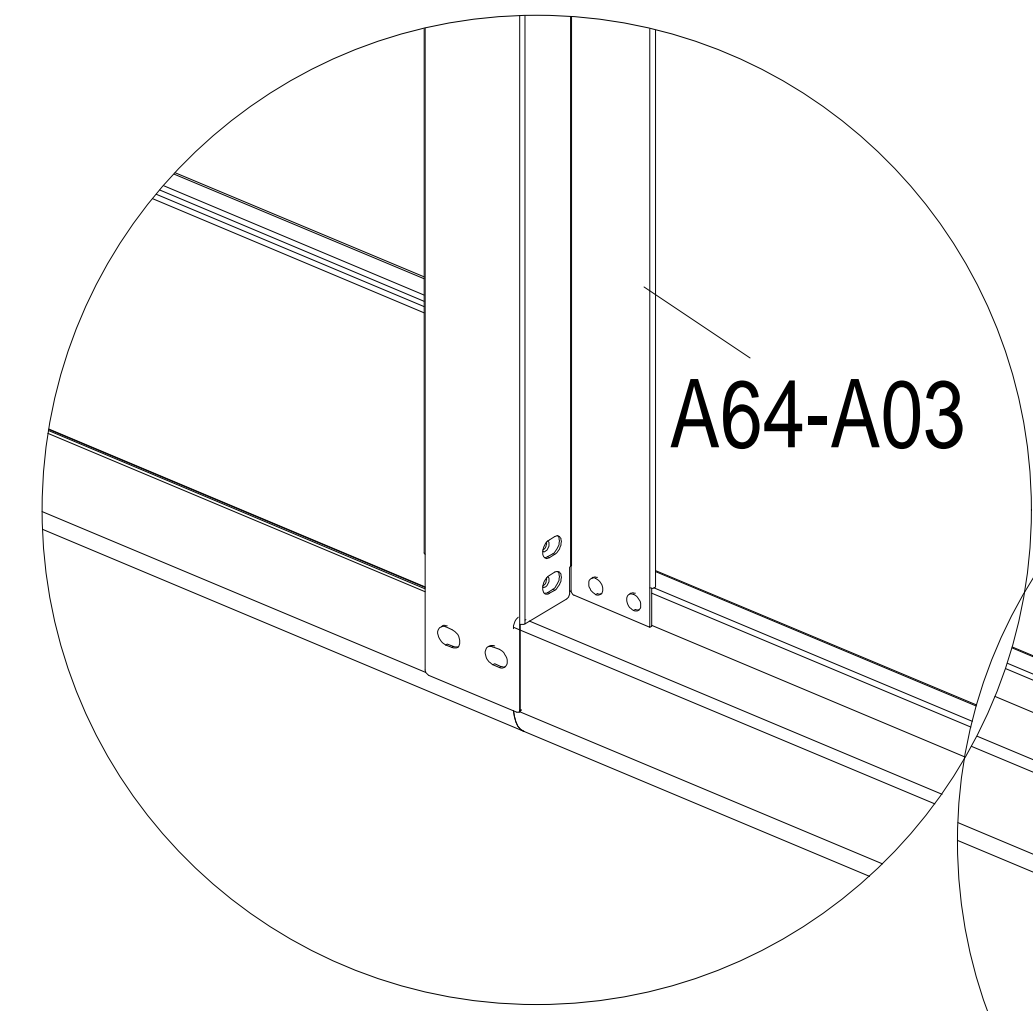
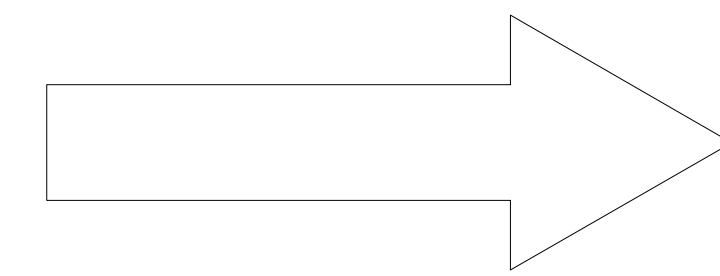
A64-A01

F

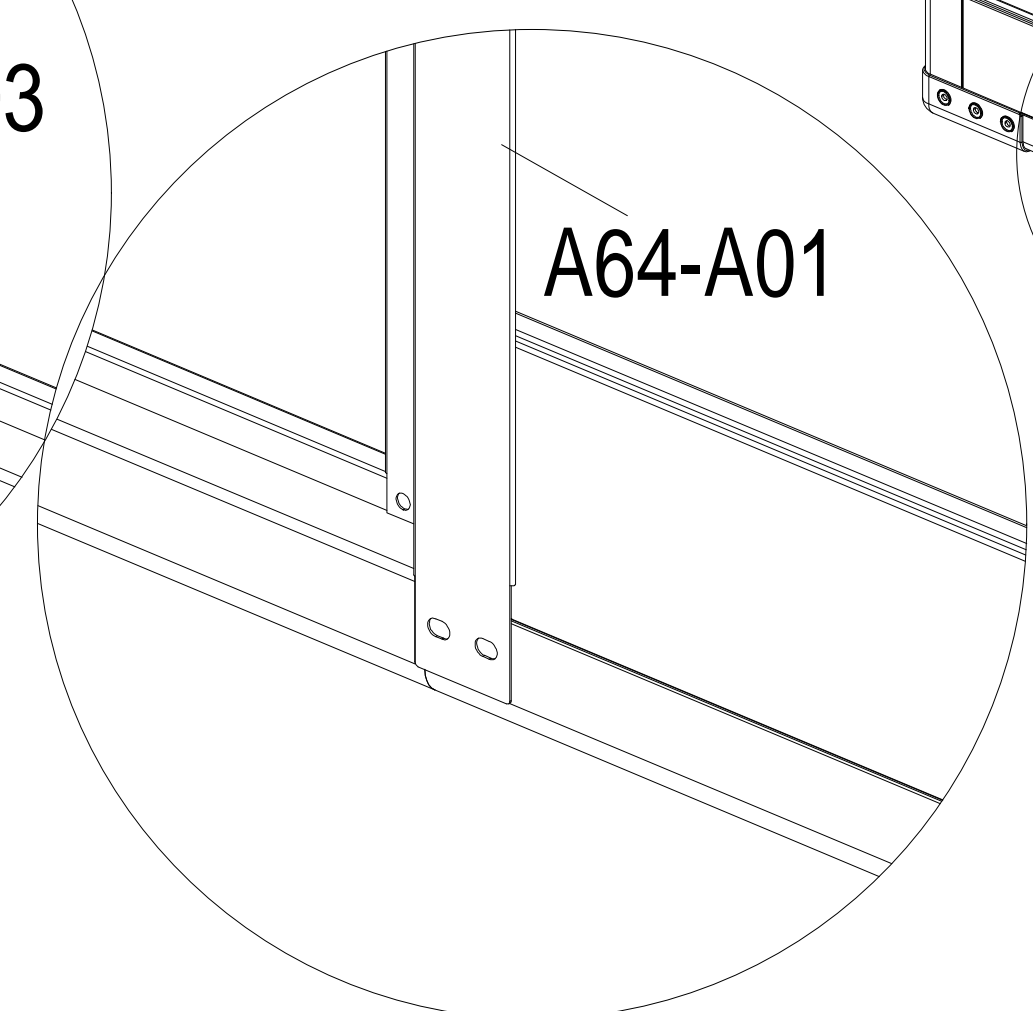


A64-A14

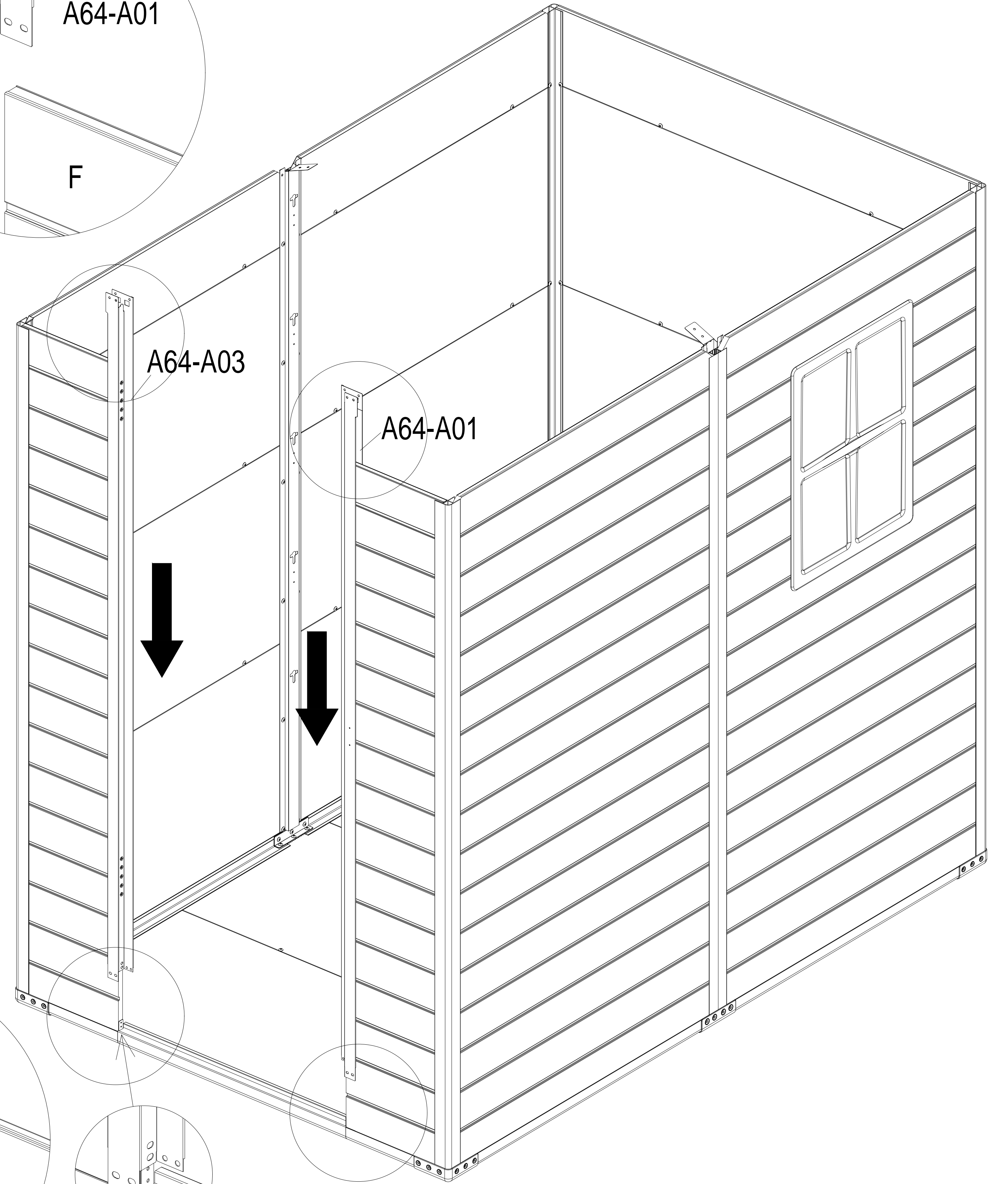
A64-A14



A64-A03



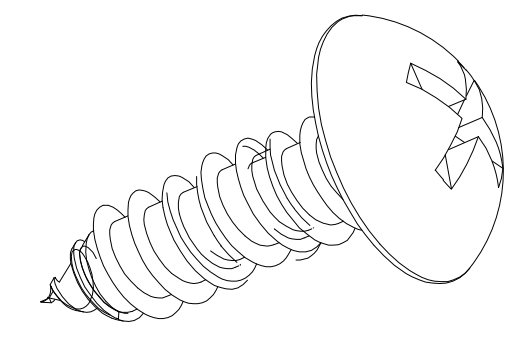
A64-A01



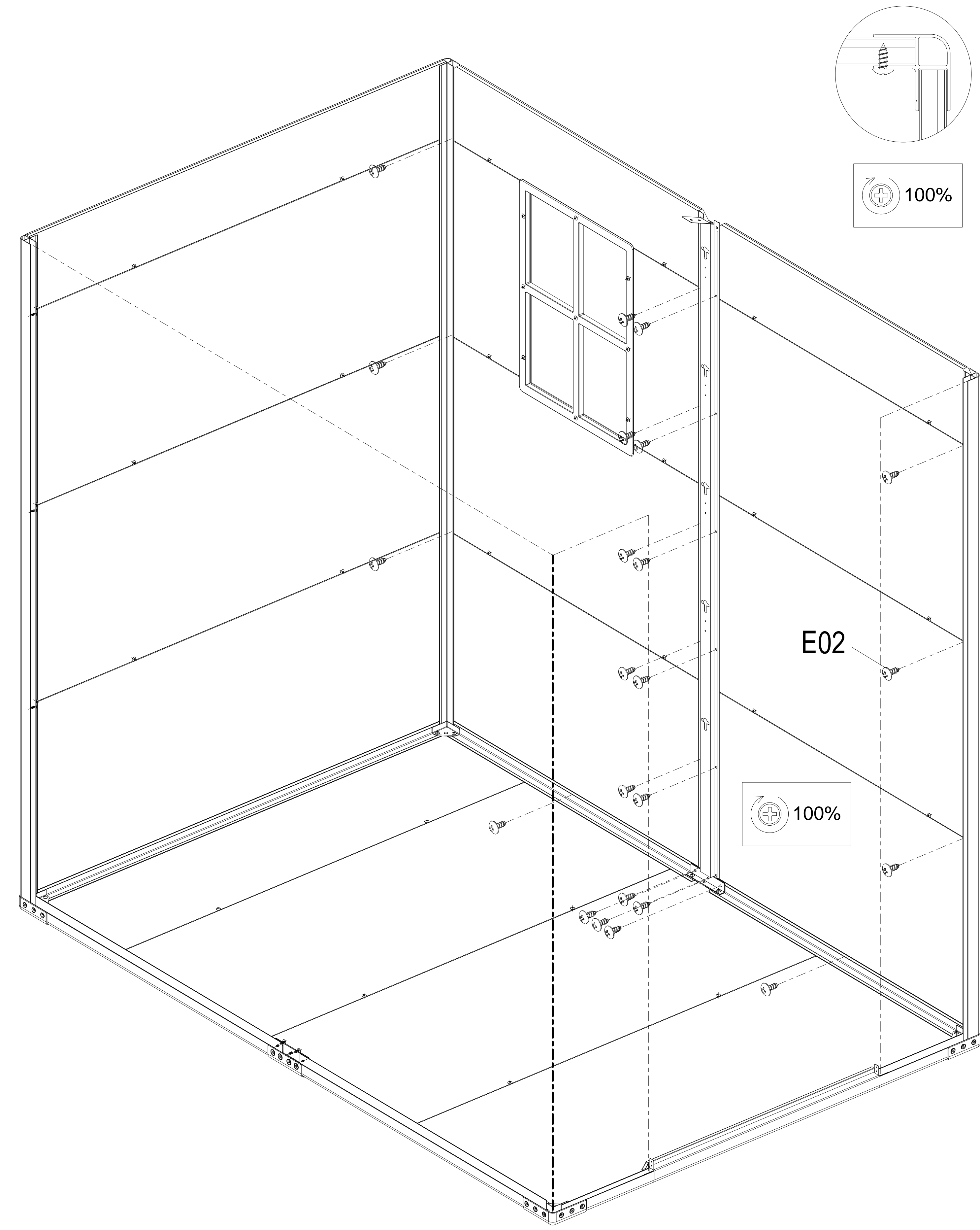
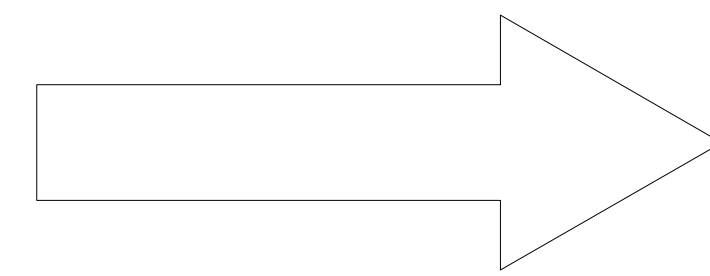
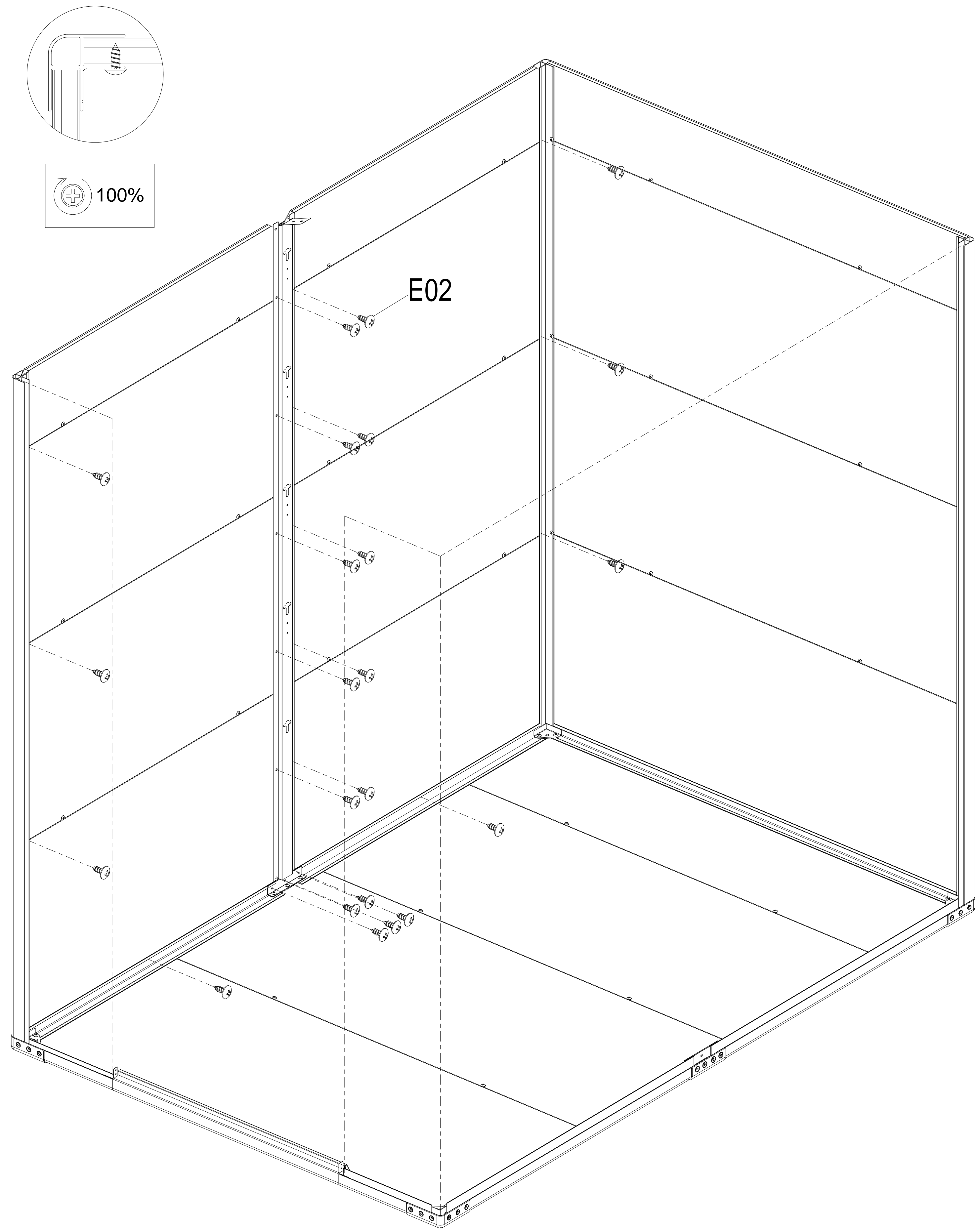
A64-A03

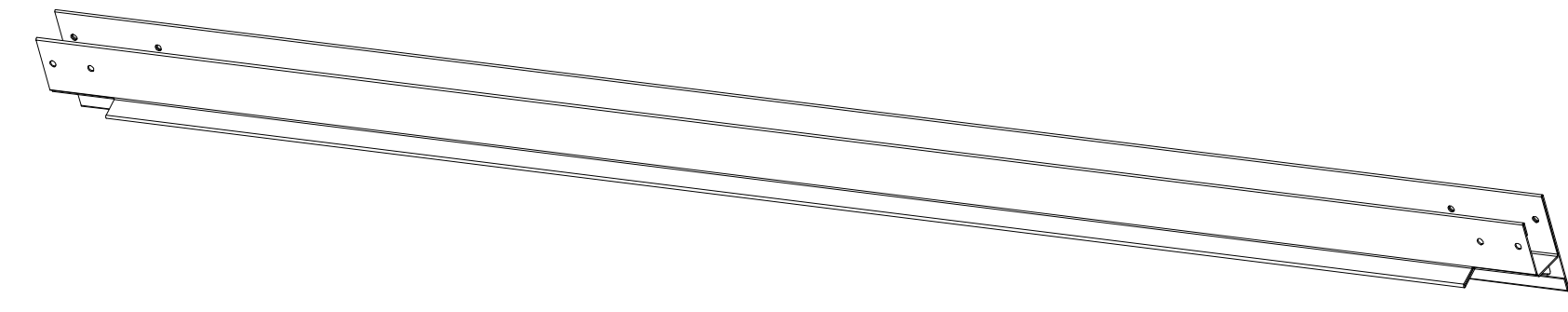
A64-A01



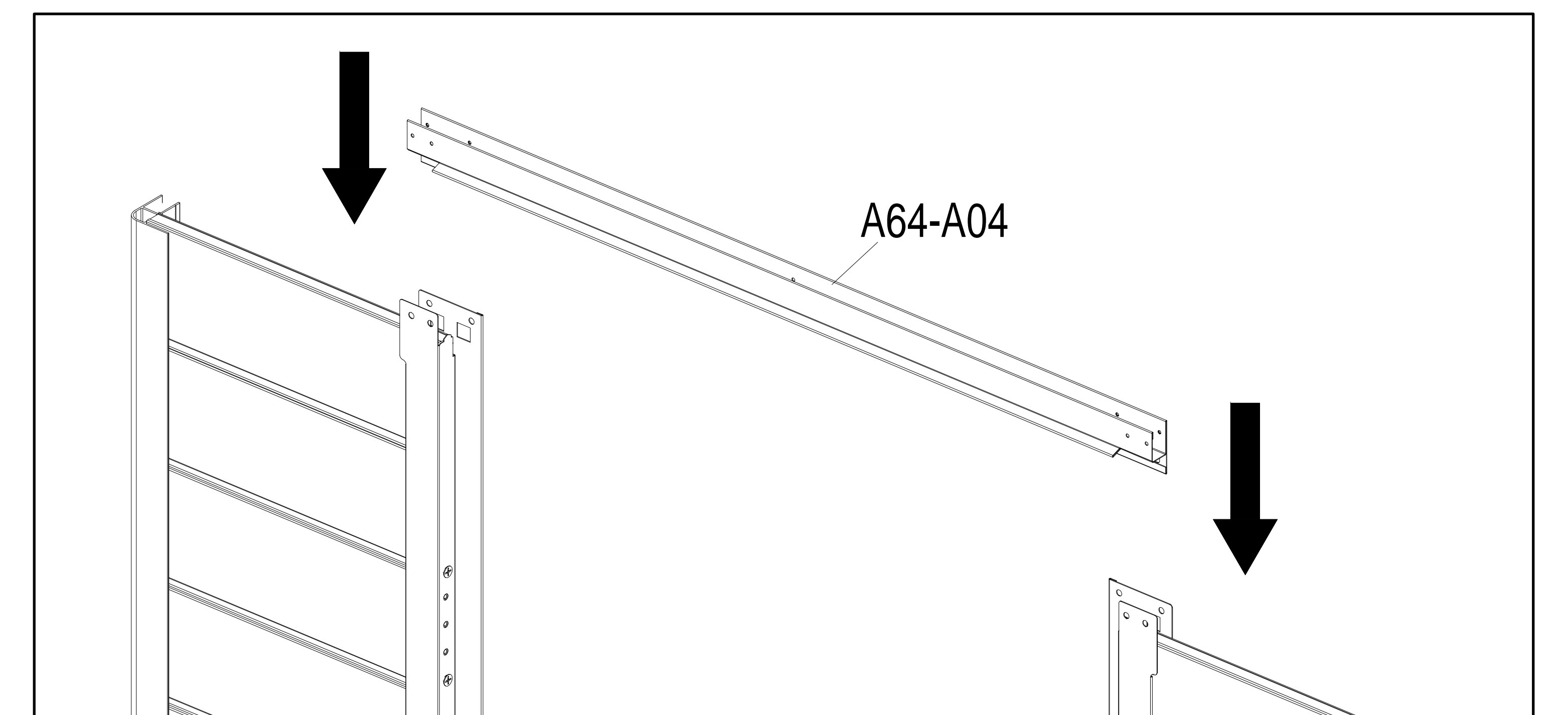
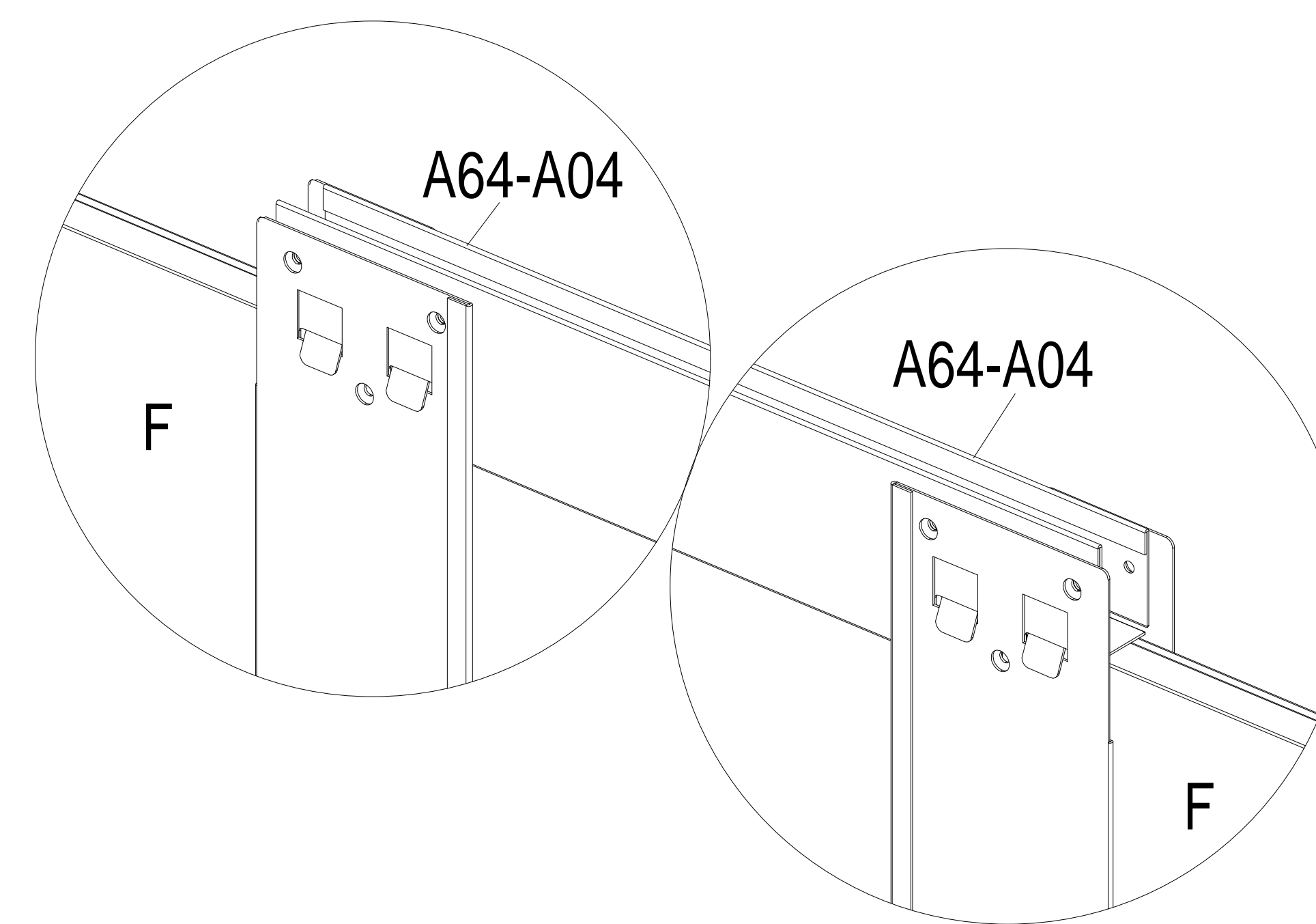
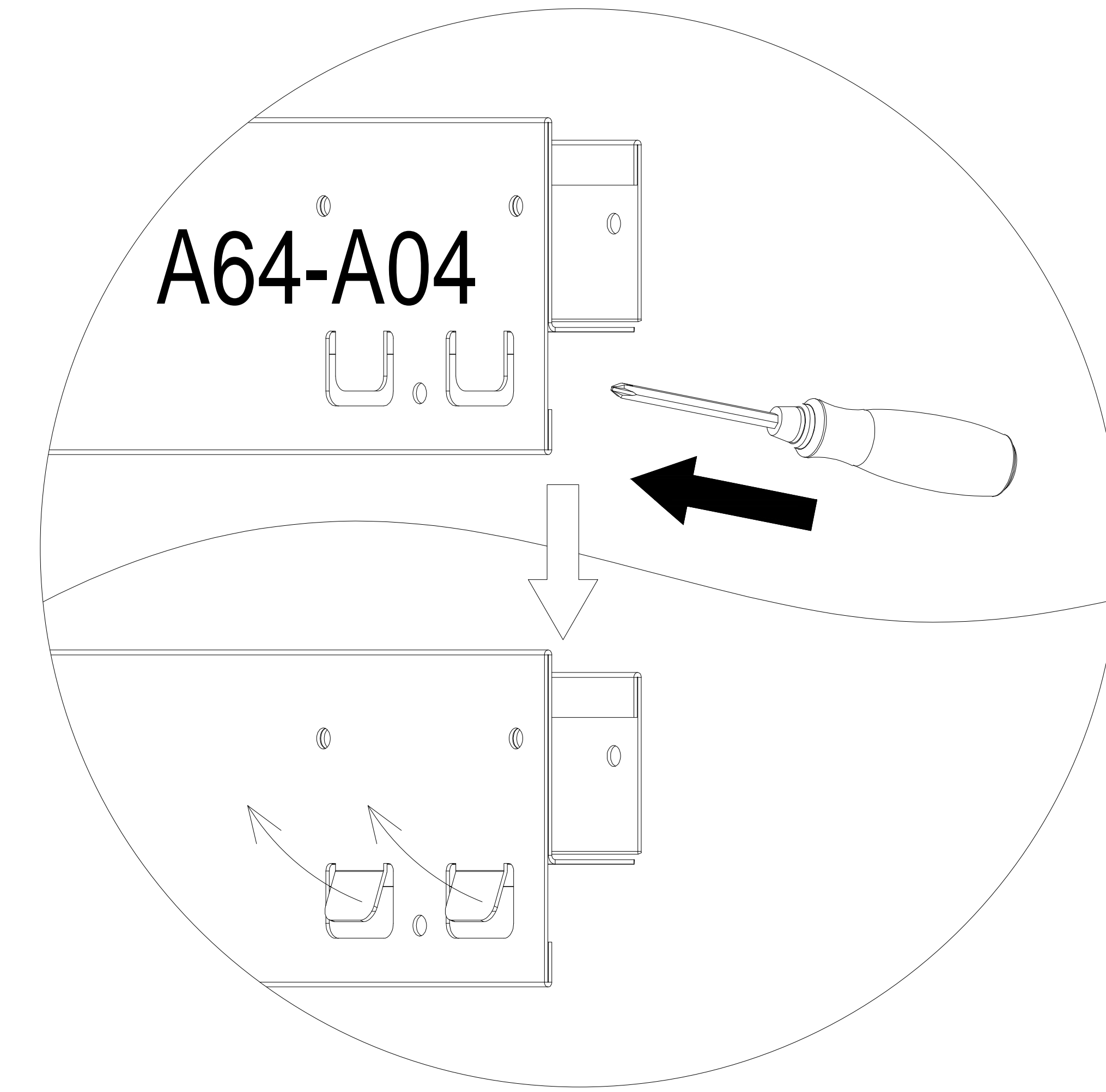
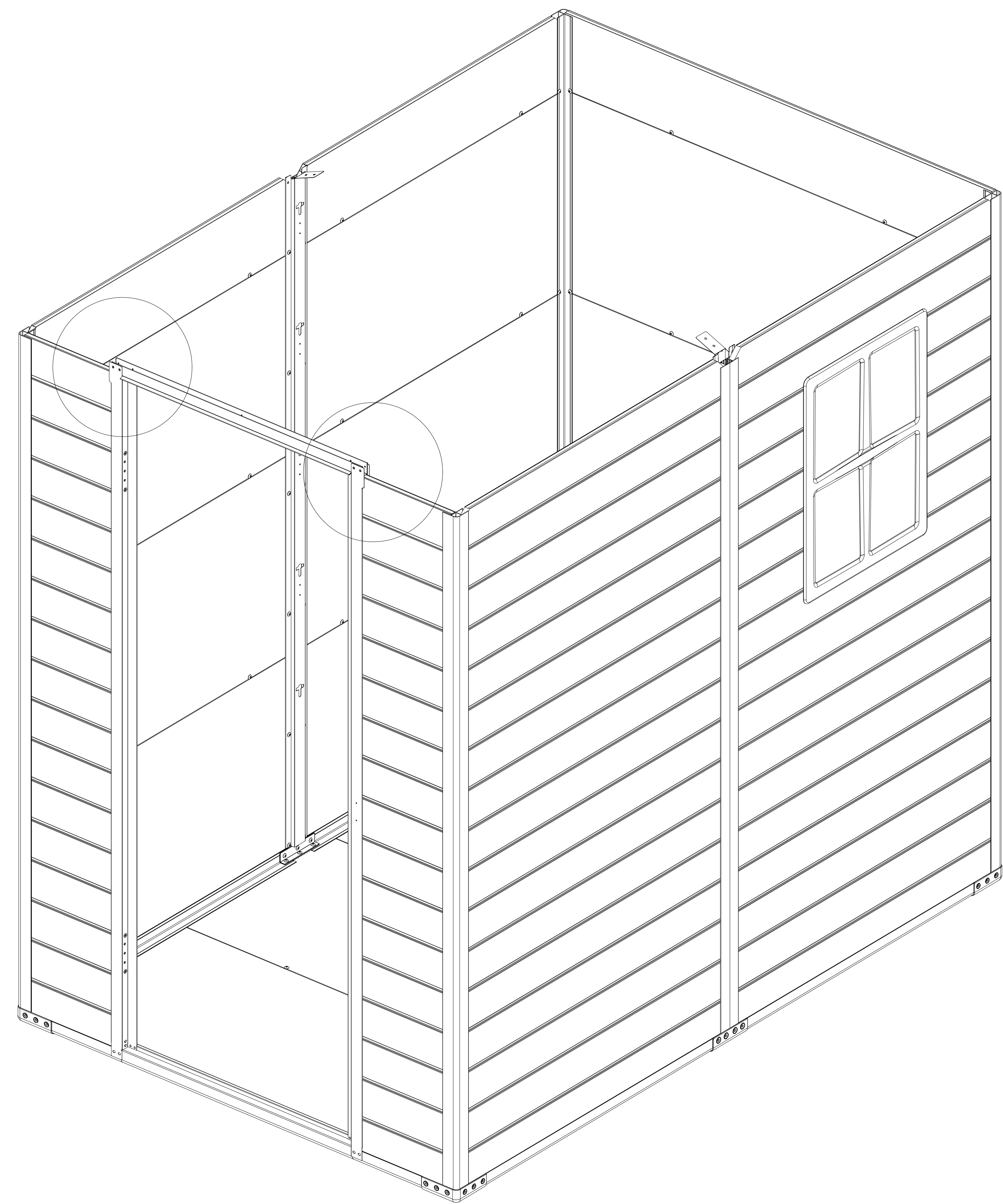


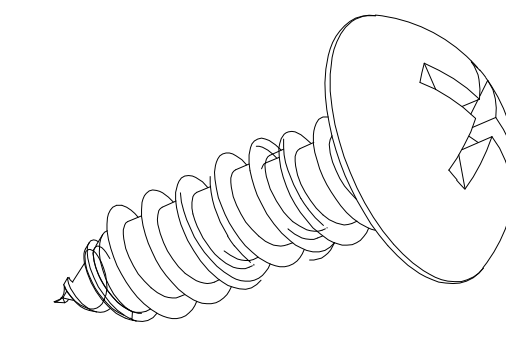
(ST4.2x12)  
E02x46



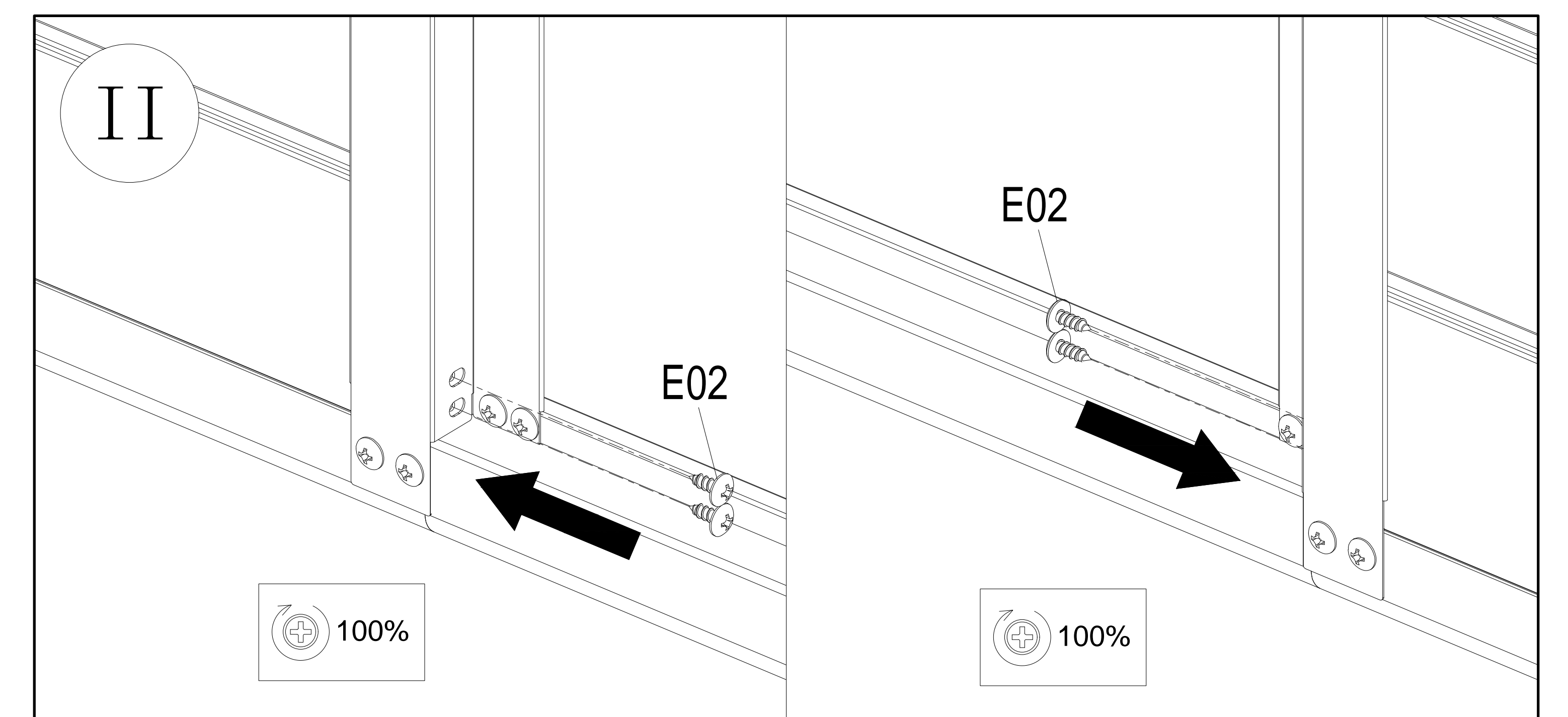
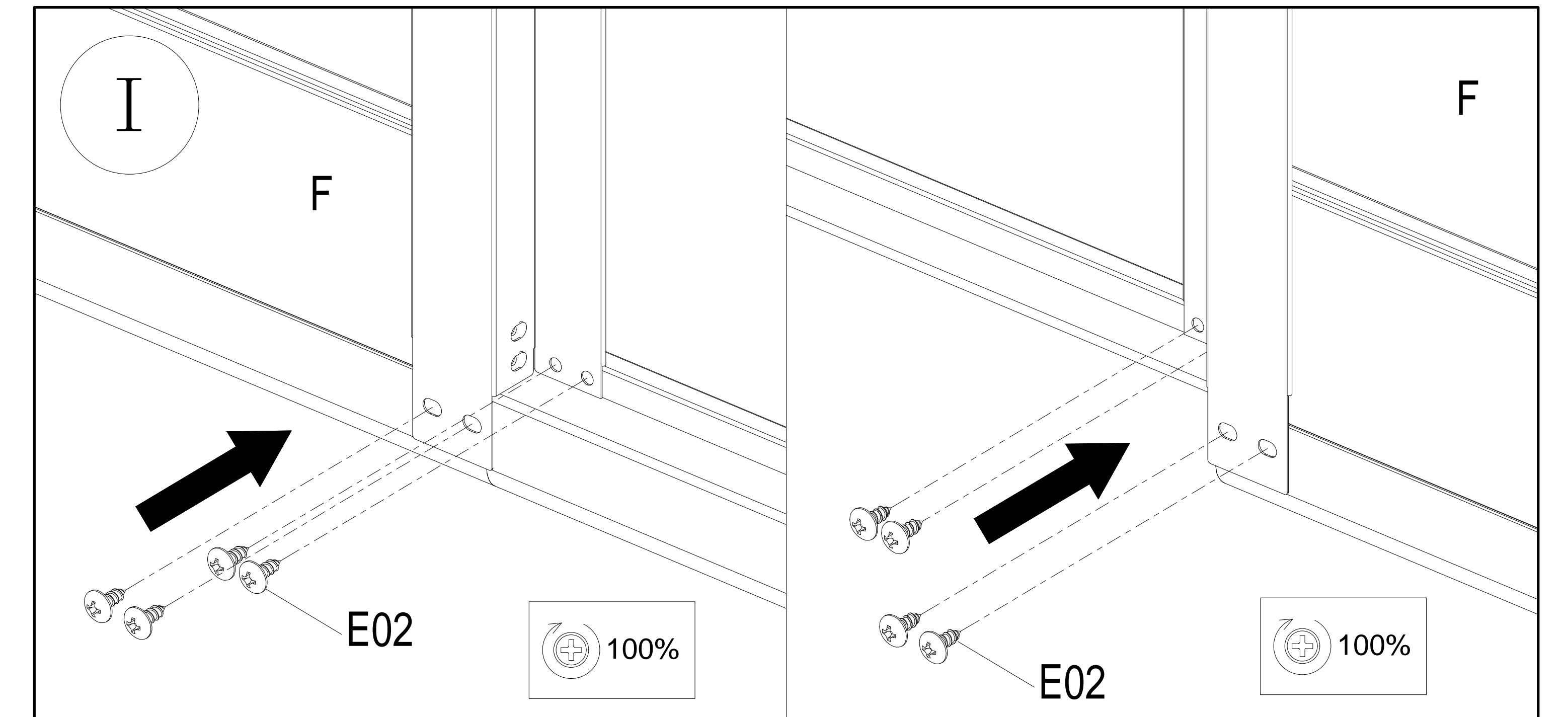
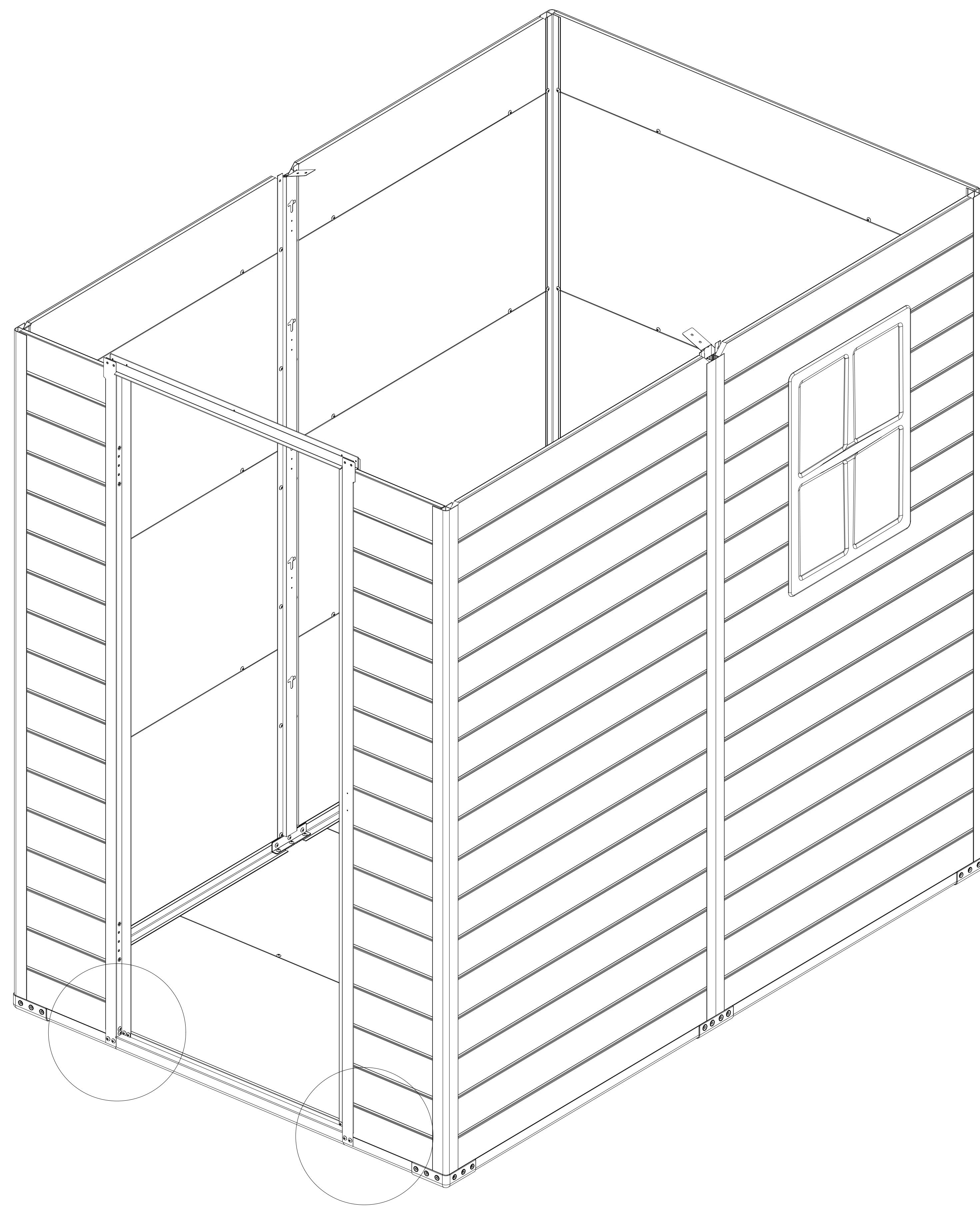


A64-A04 x1

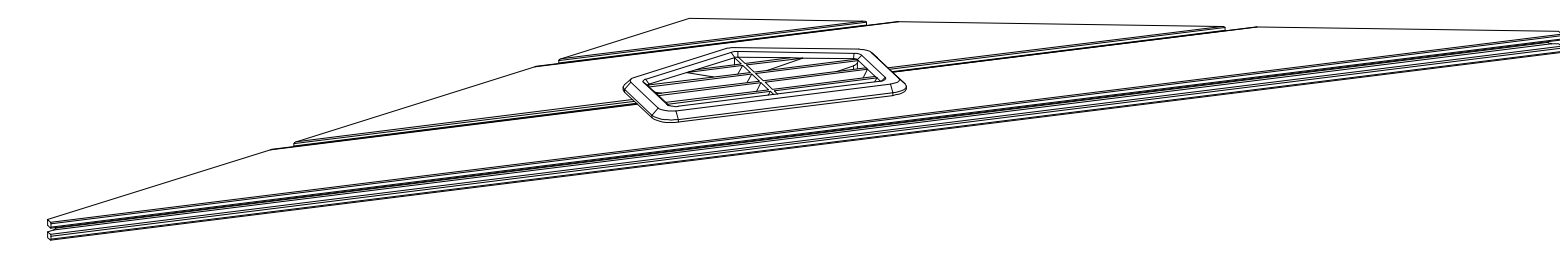




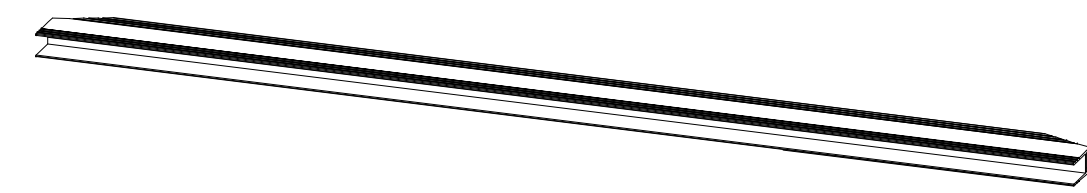
(ST4.2x12)  
E02x12







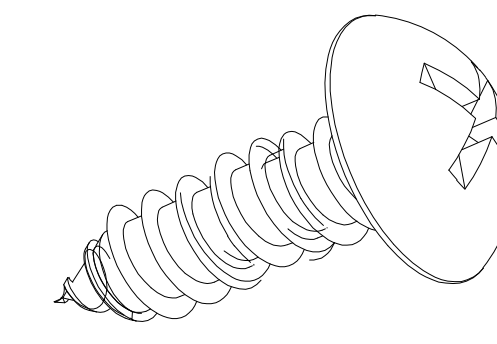
G x2



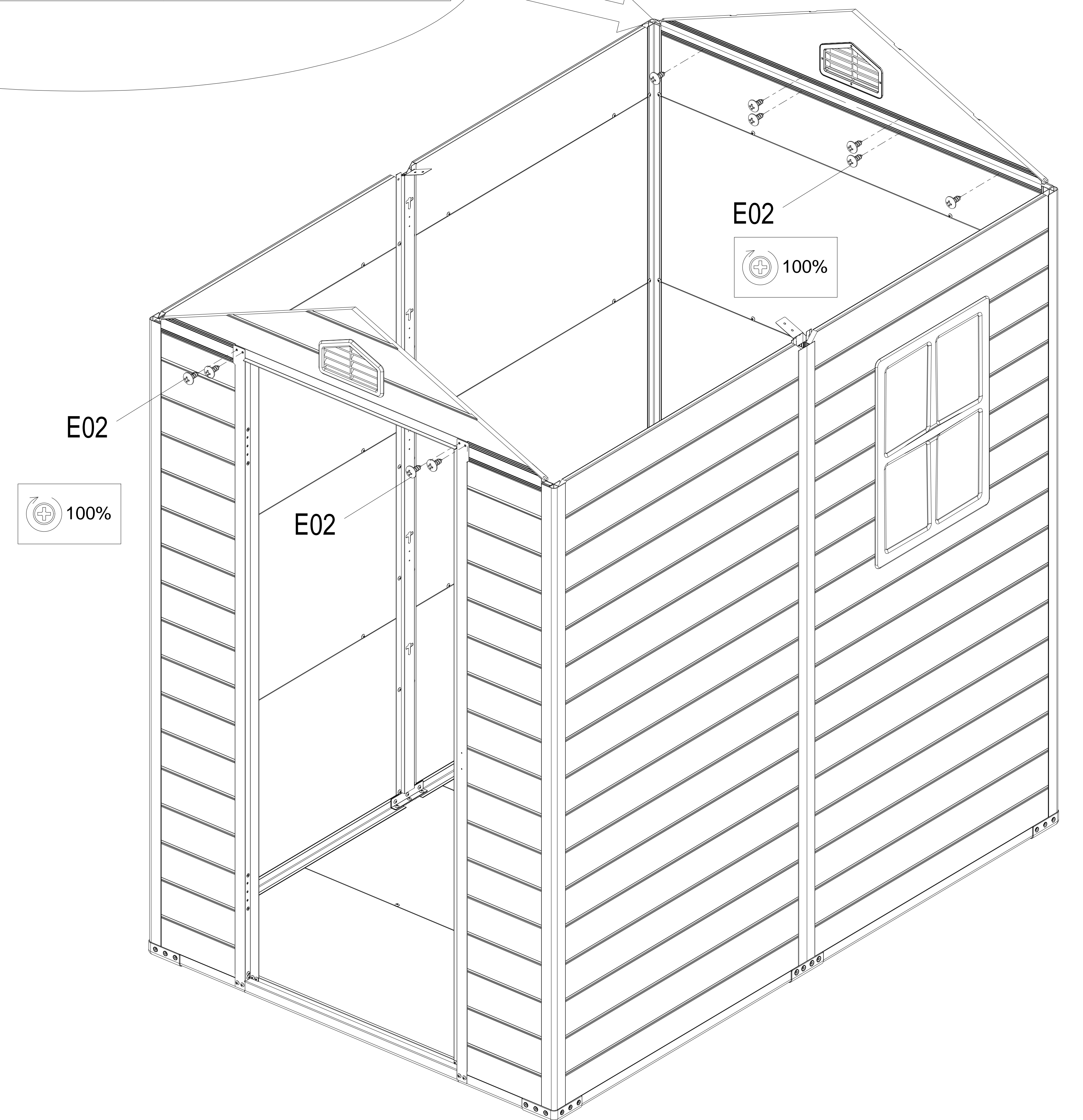
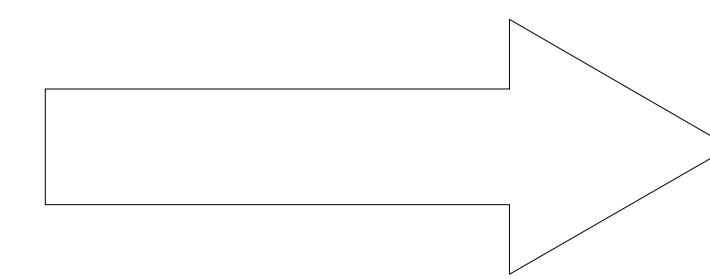
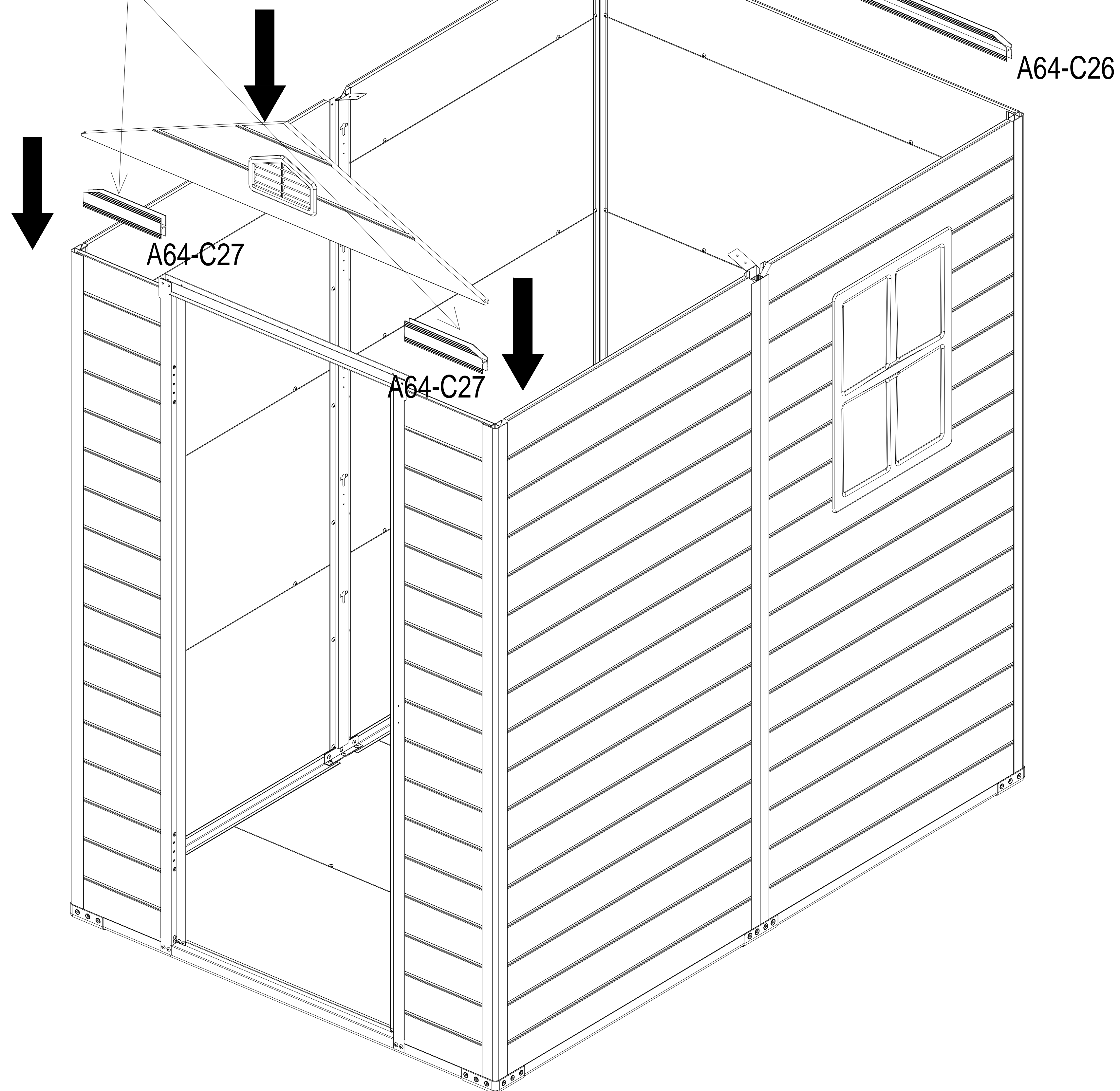
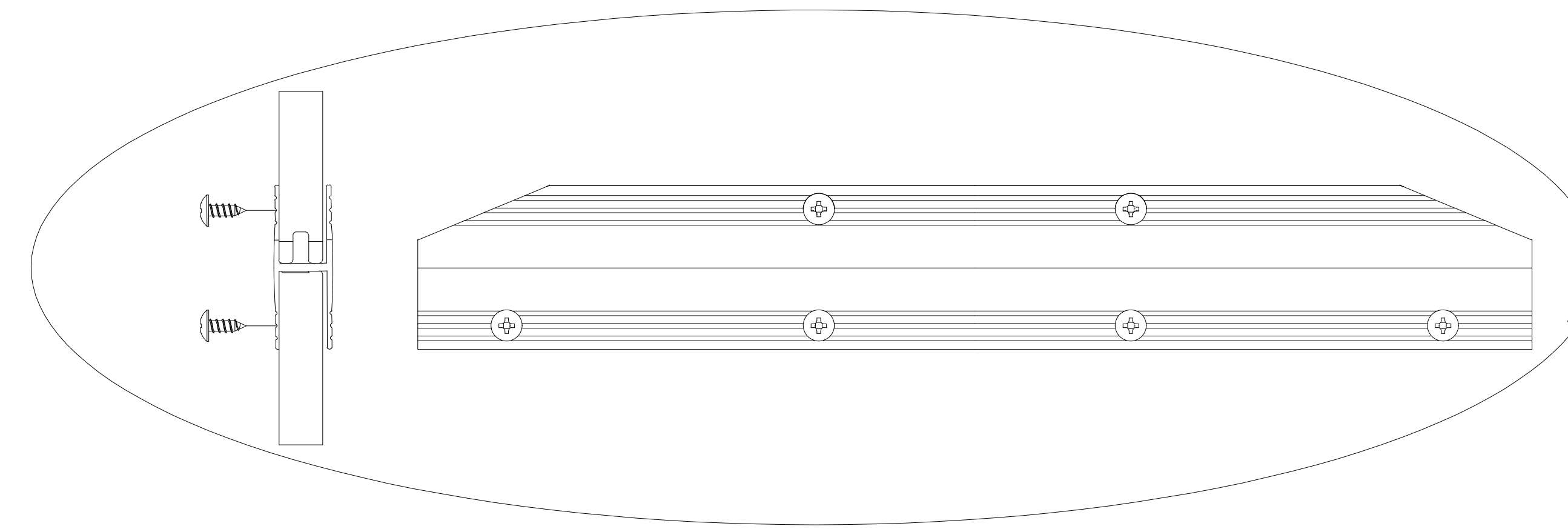
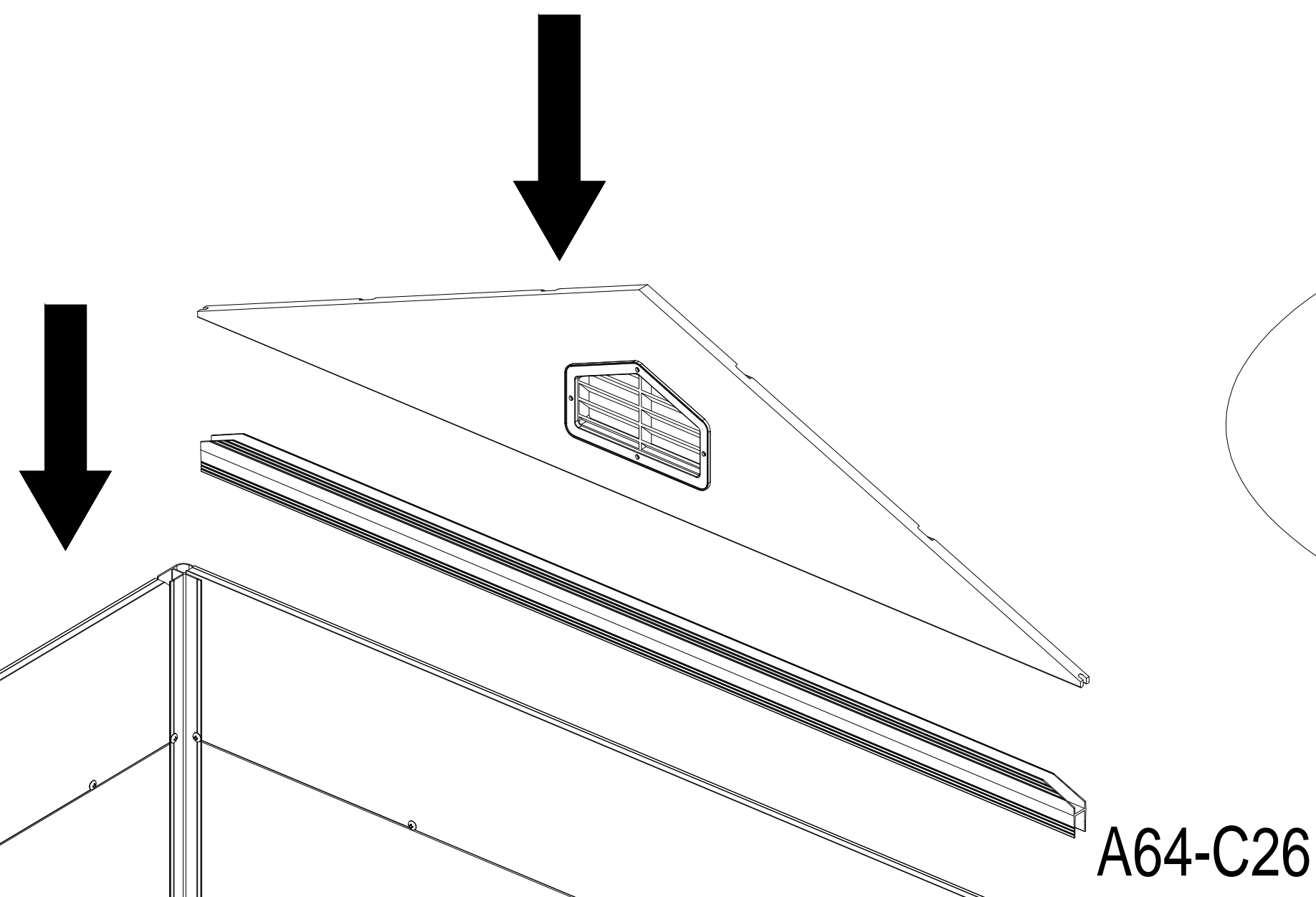
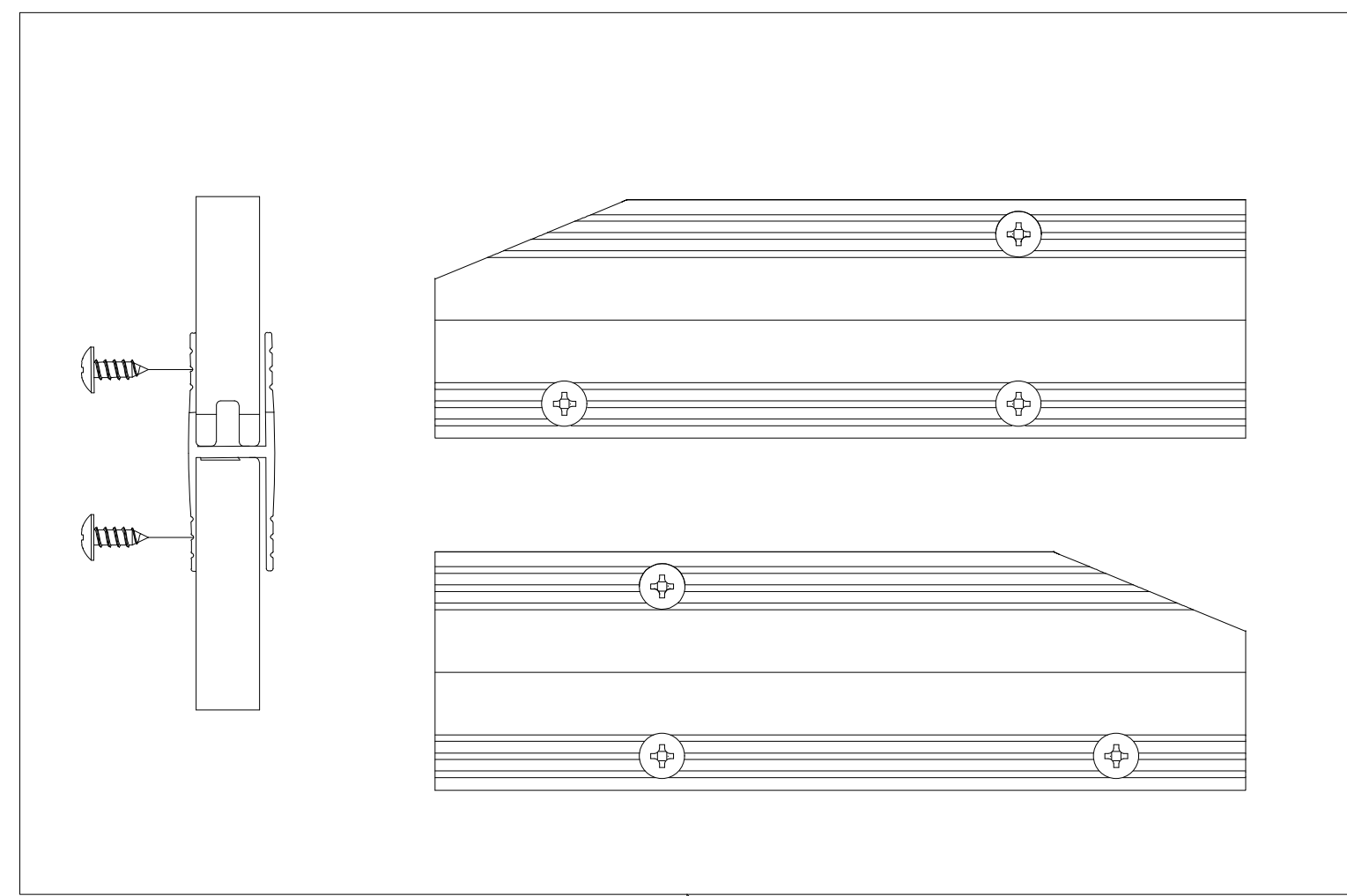
A64-C26 x1

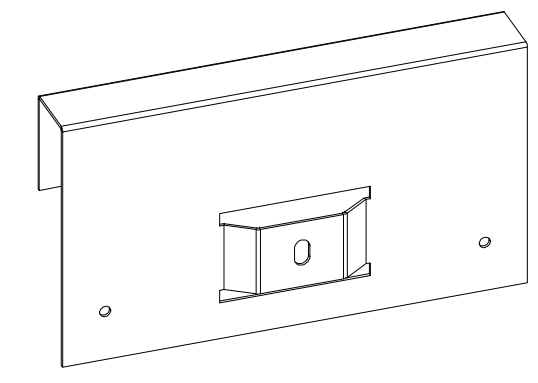


A64-C27 x2

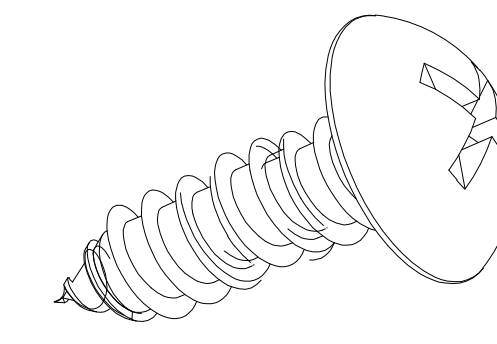


(ST4.2x12)  
E02x16

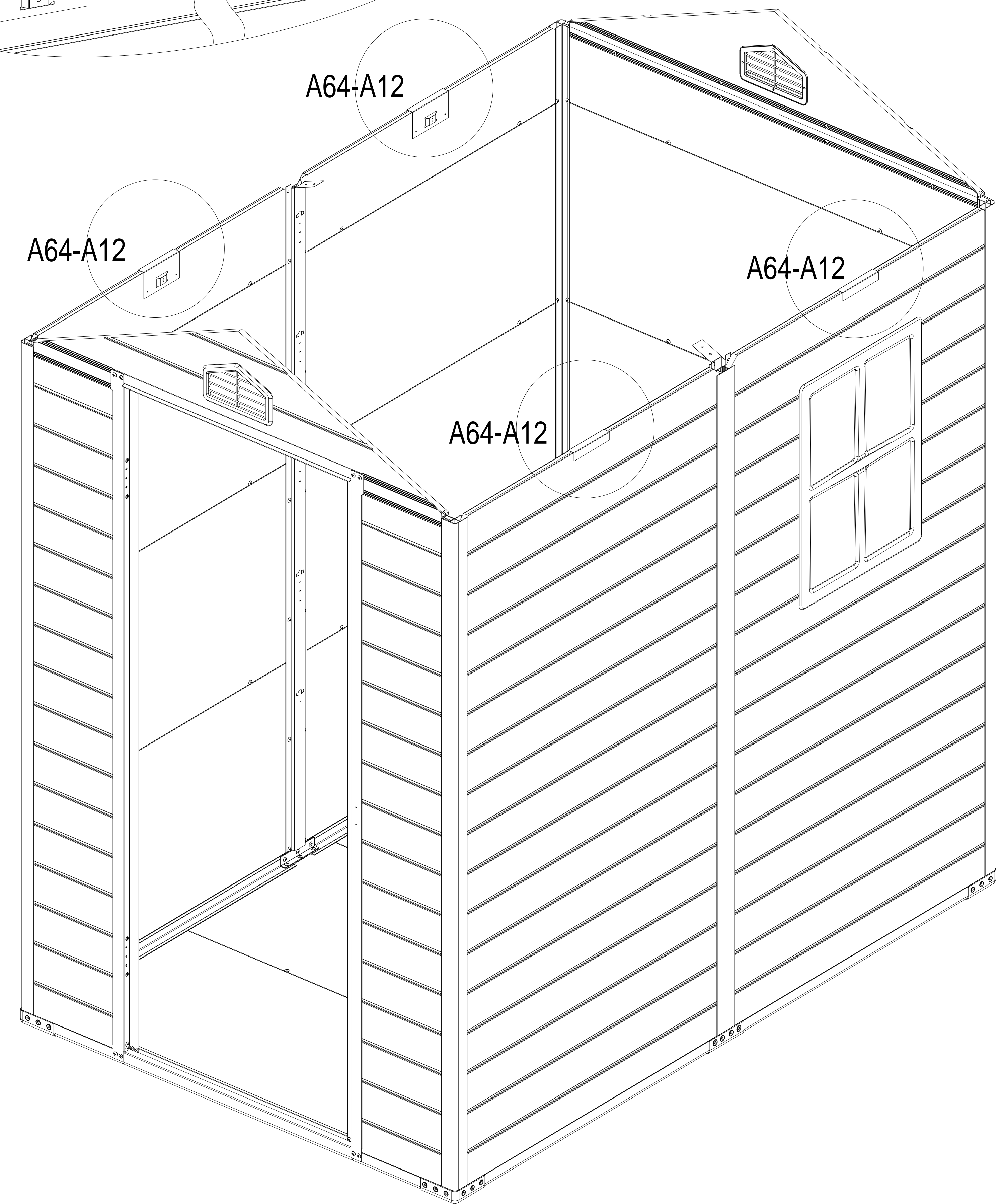
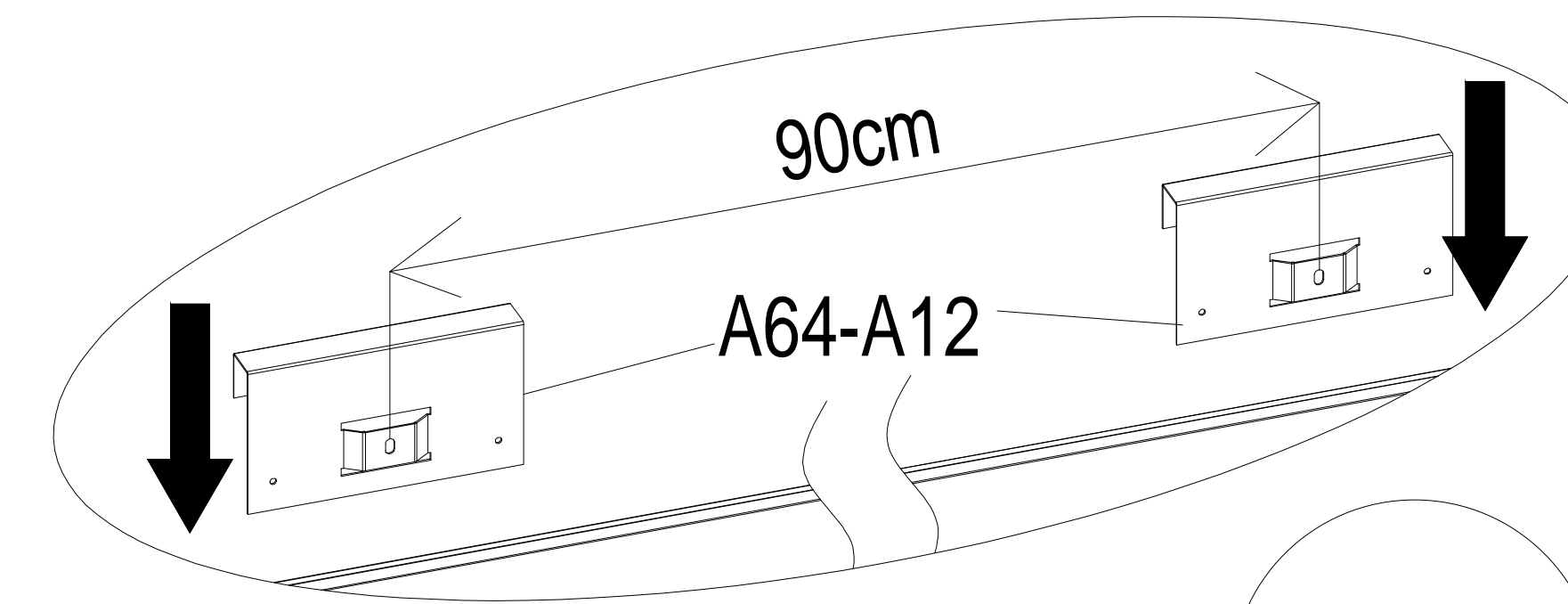
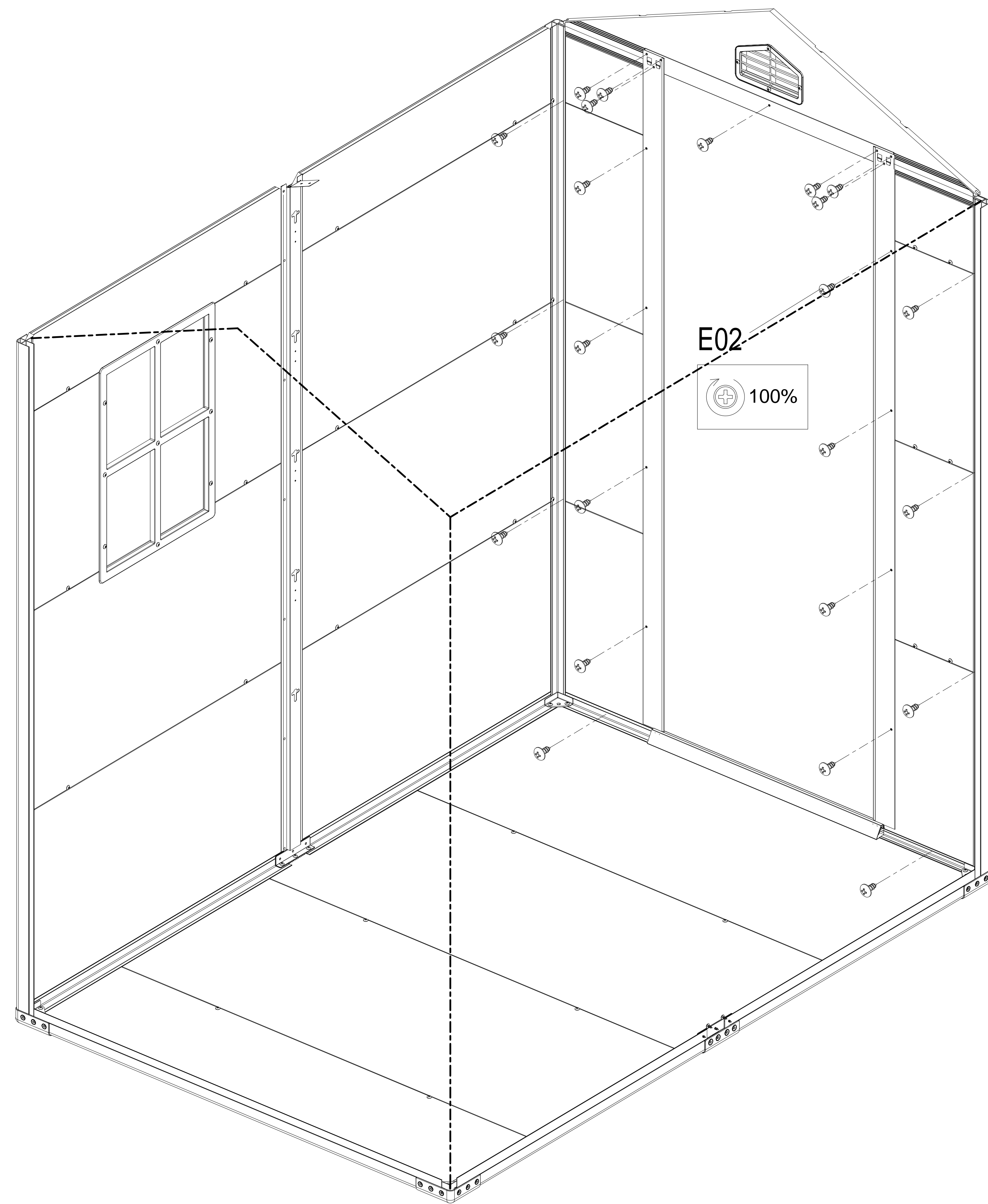




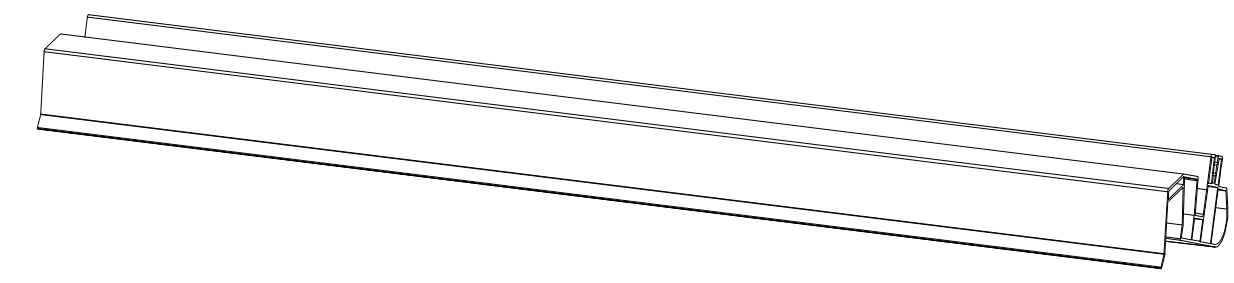
A64-A12 x4



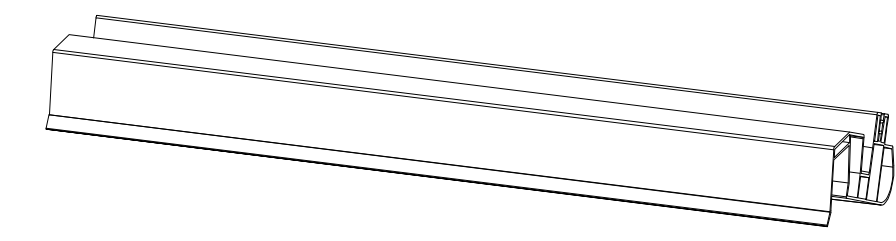
(ST4.2x12)  
E02x23



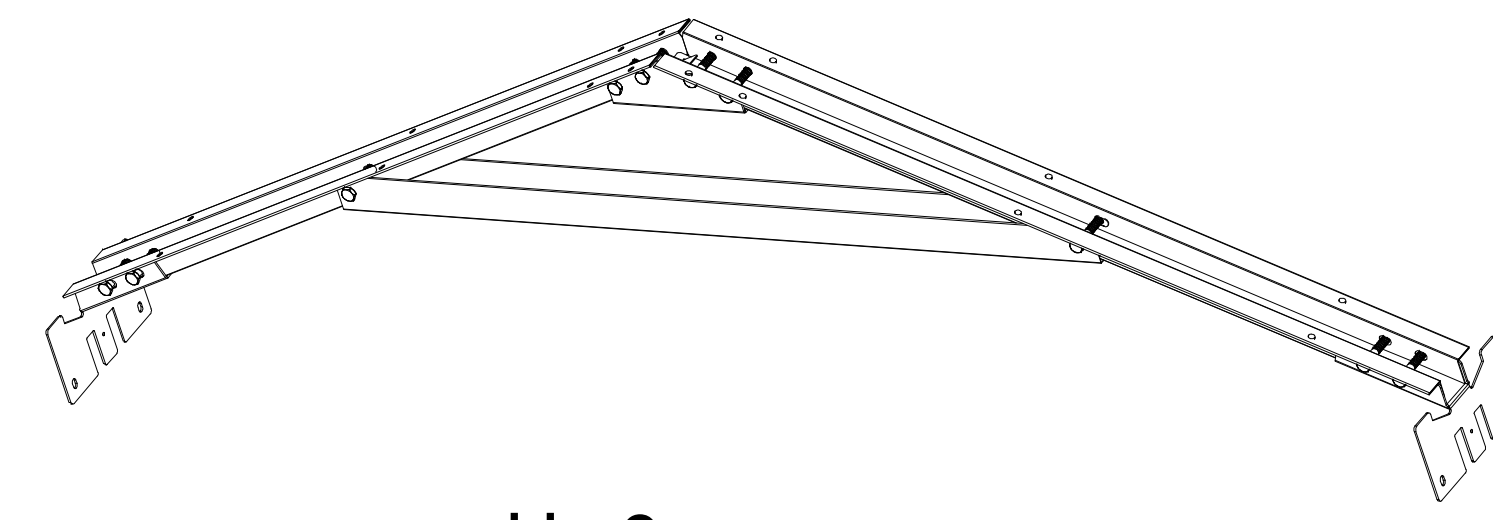




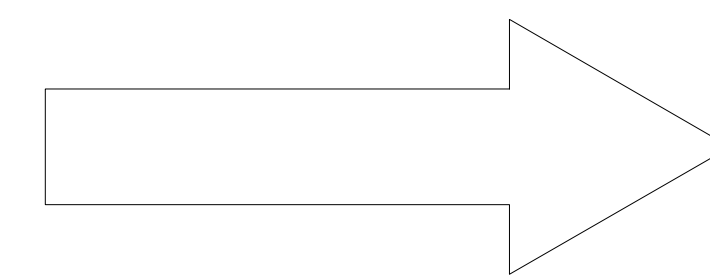
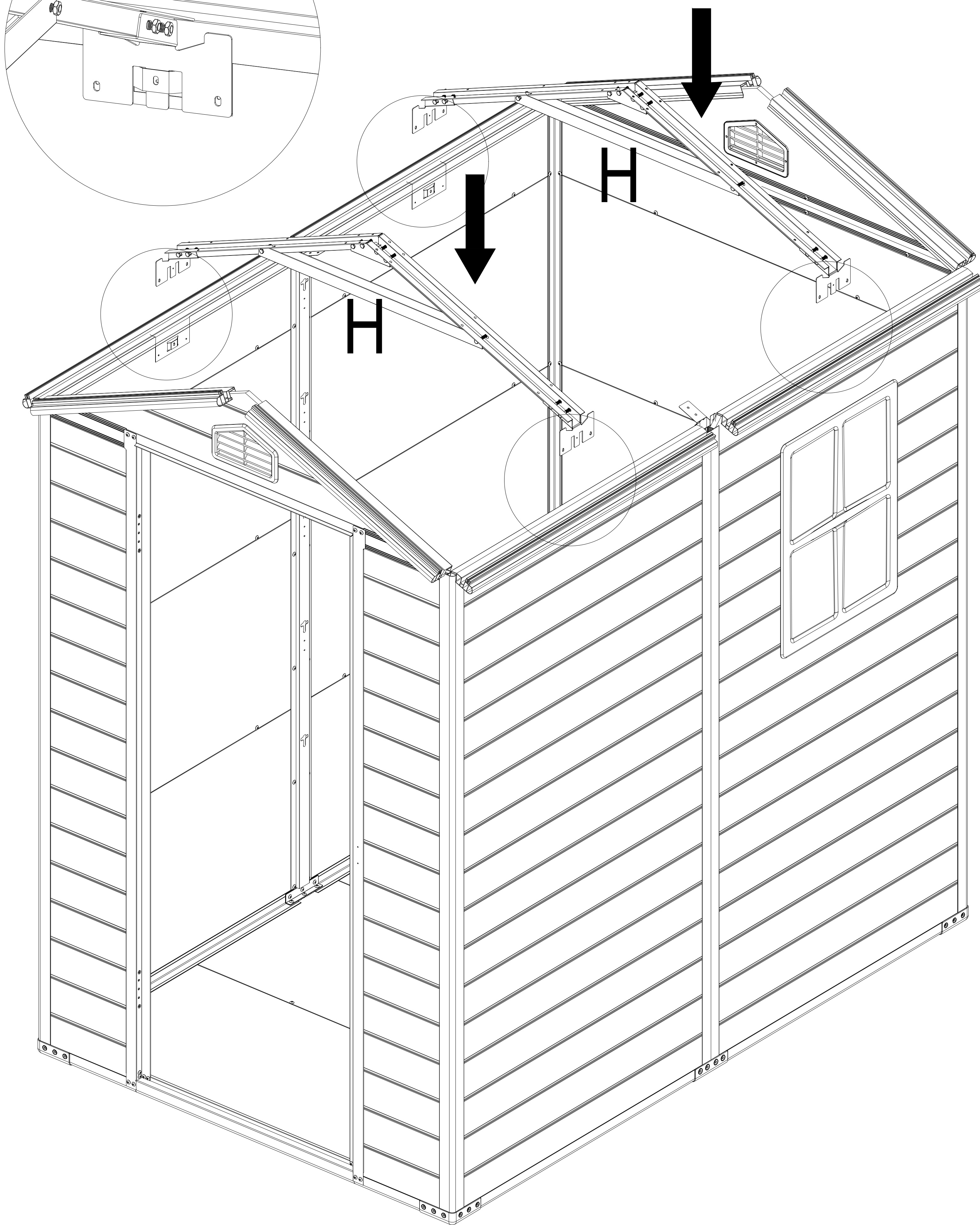
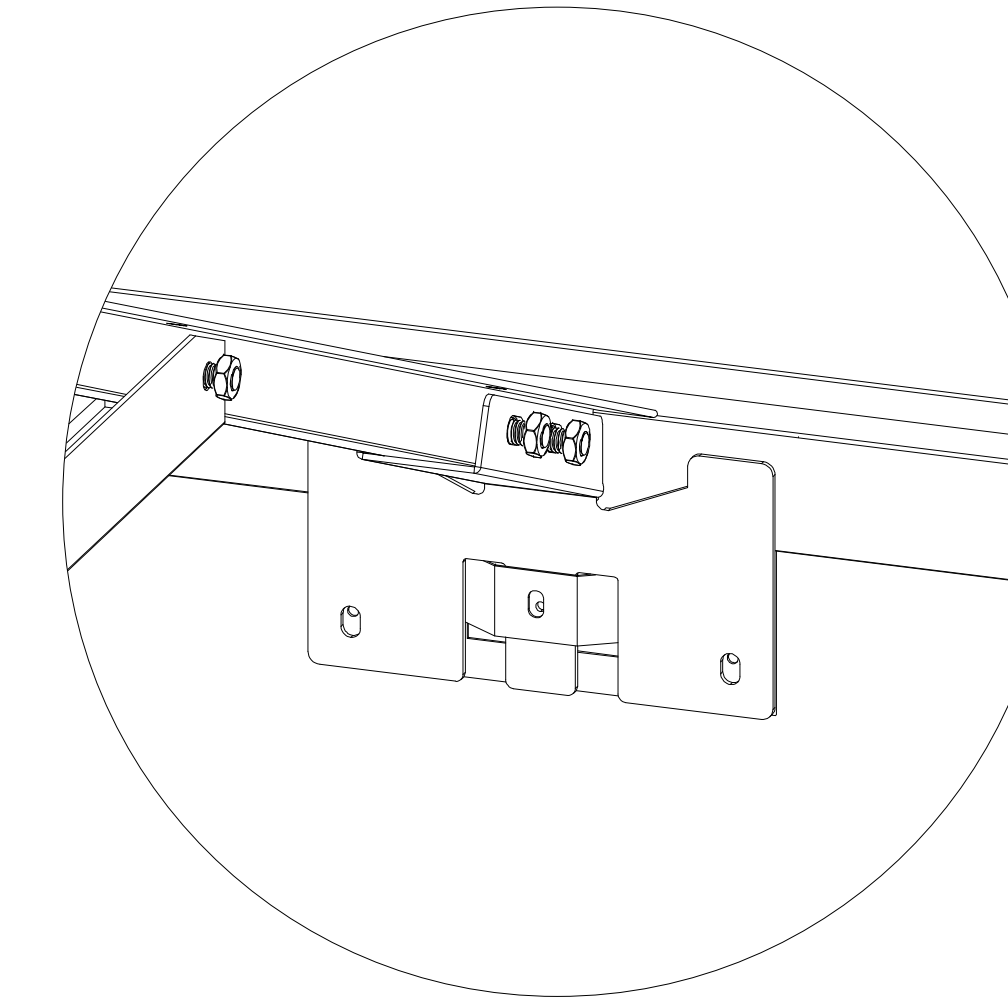
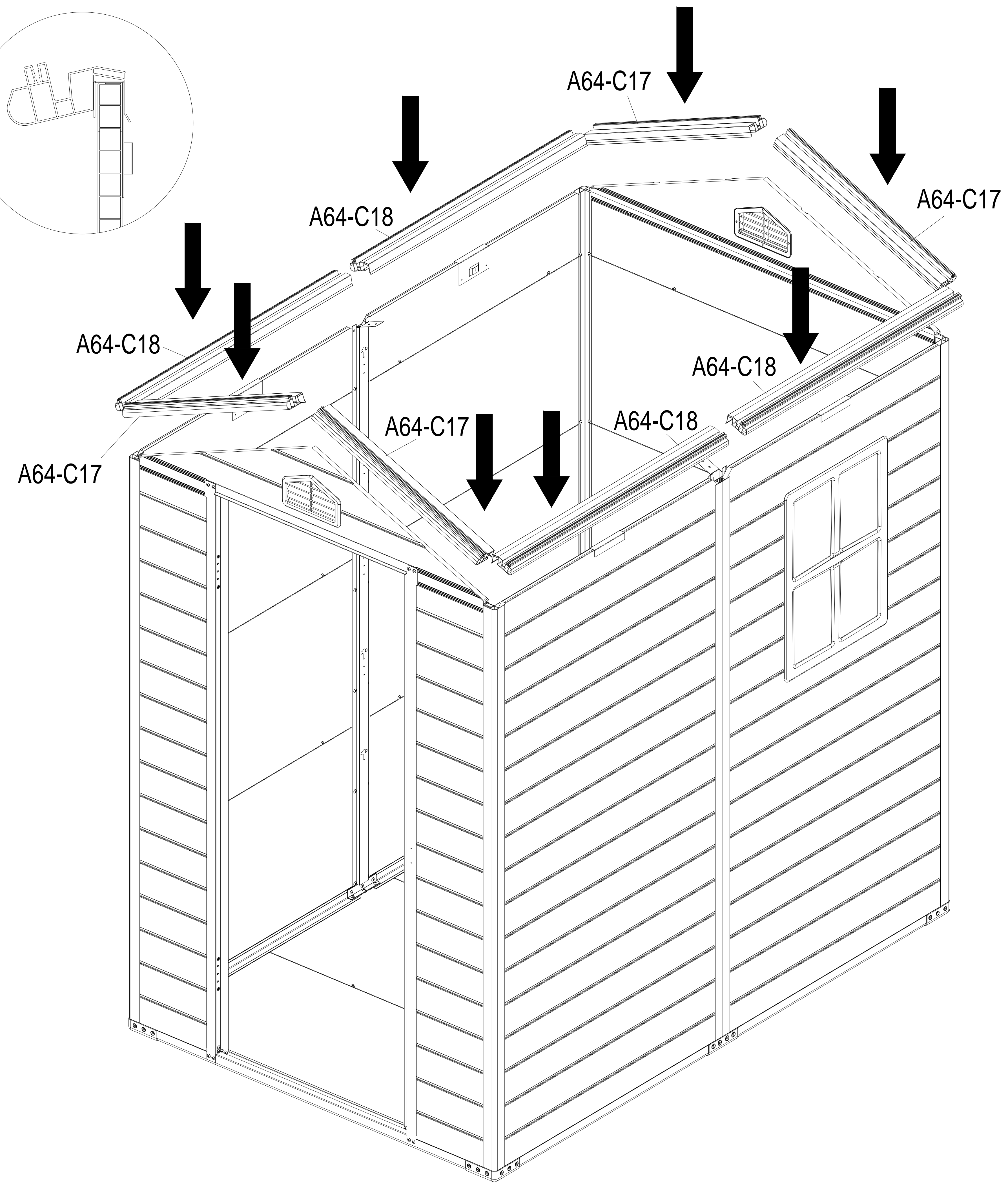
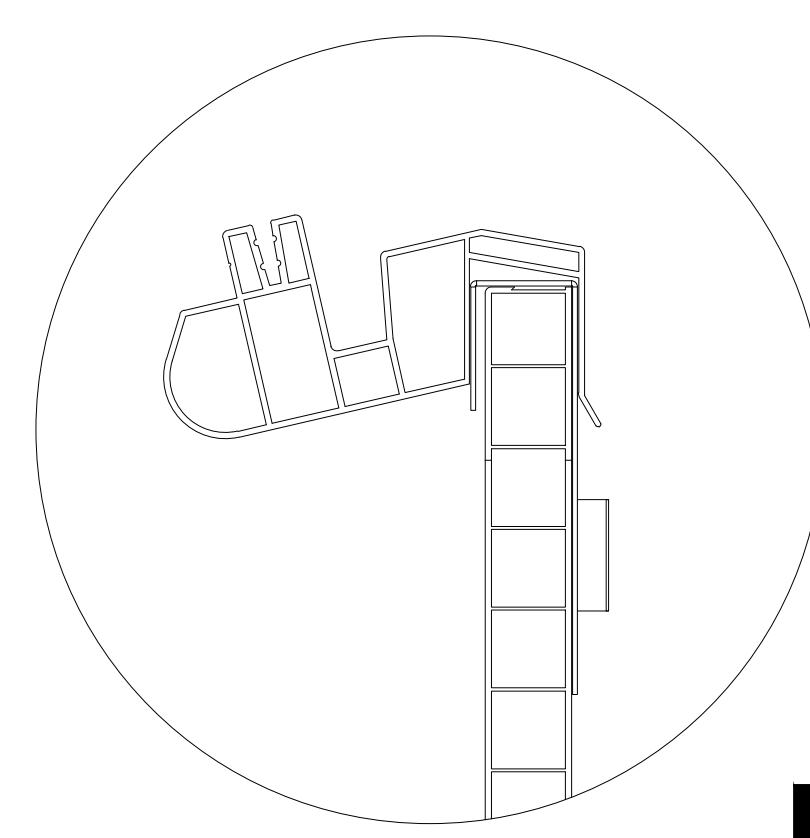
A64-C18 x4



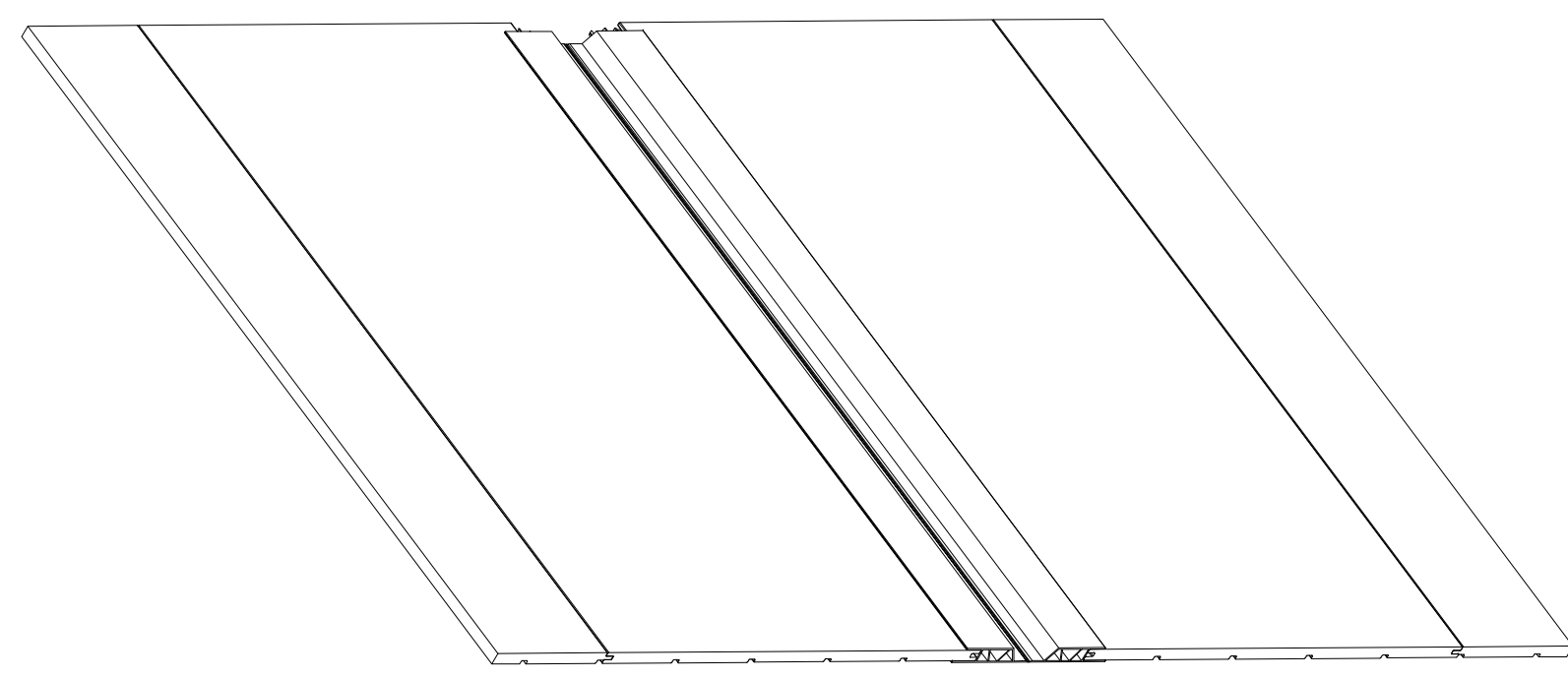
A64-C17 x4



H x2



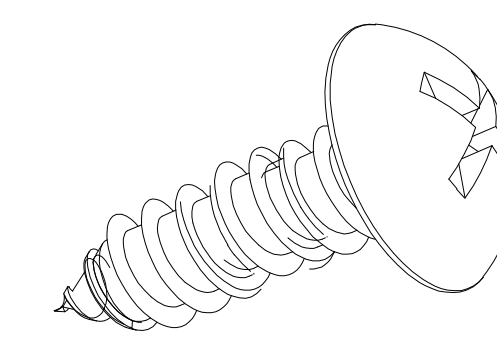




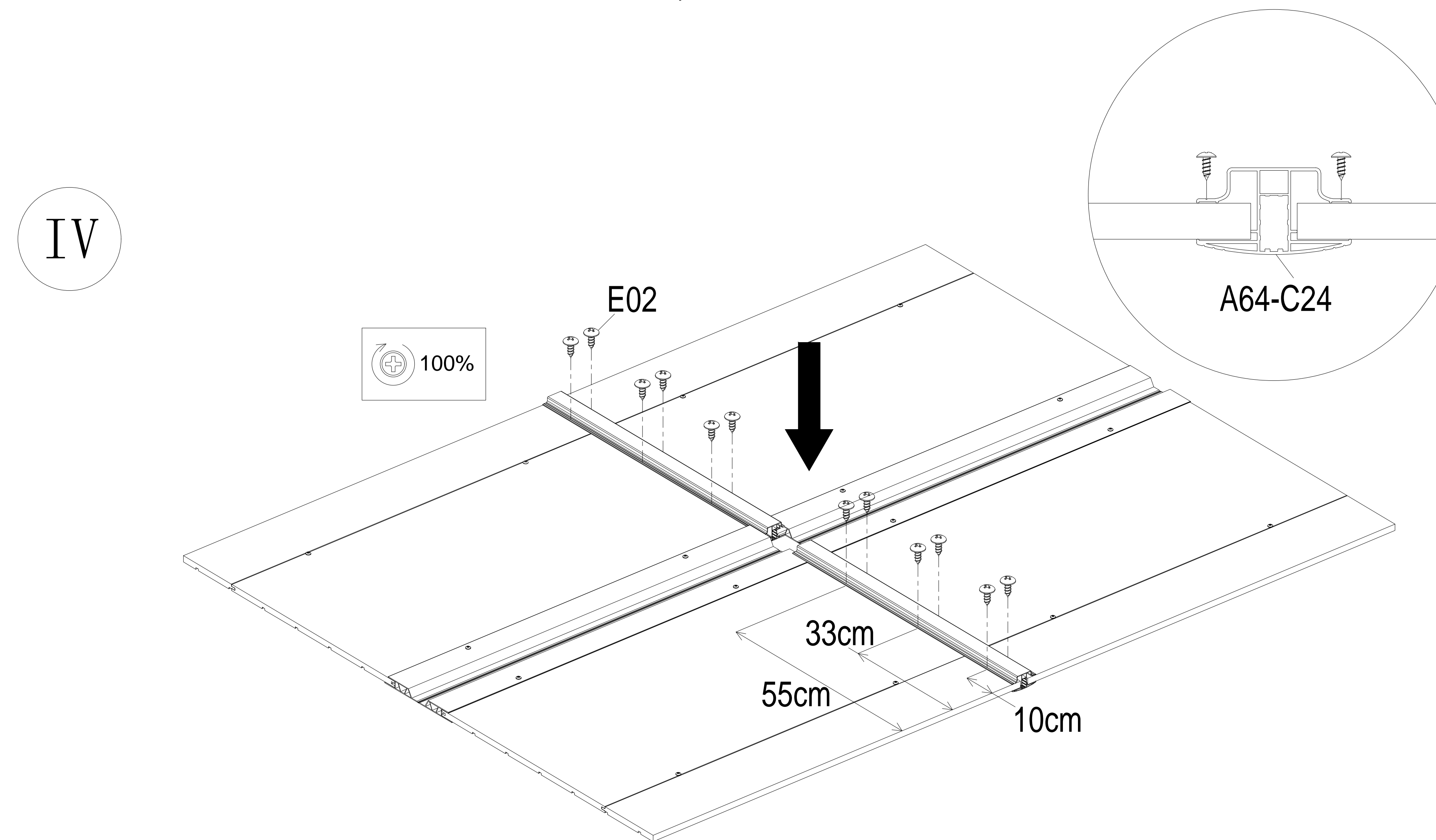
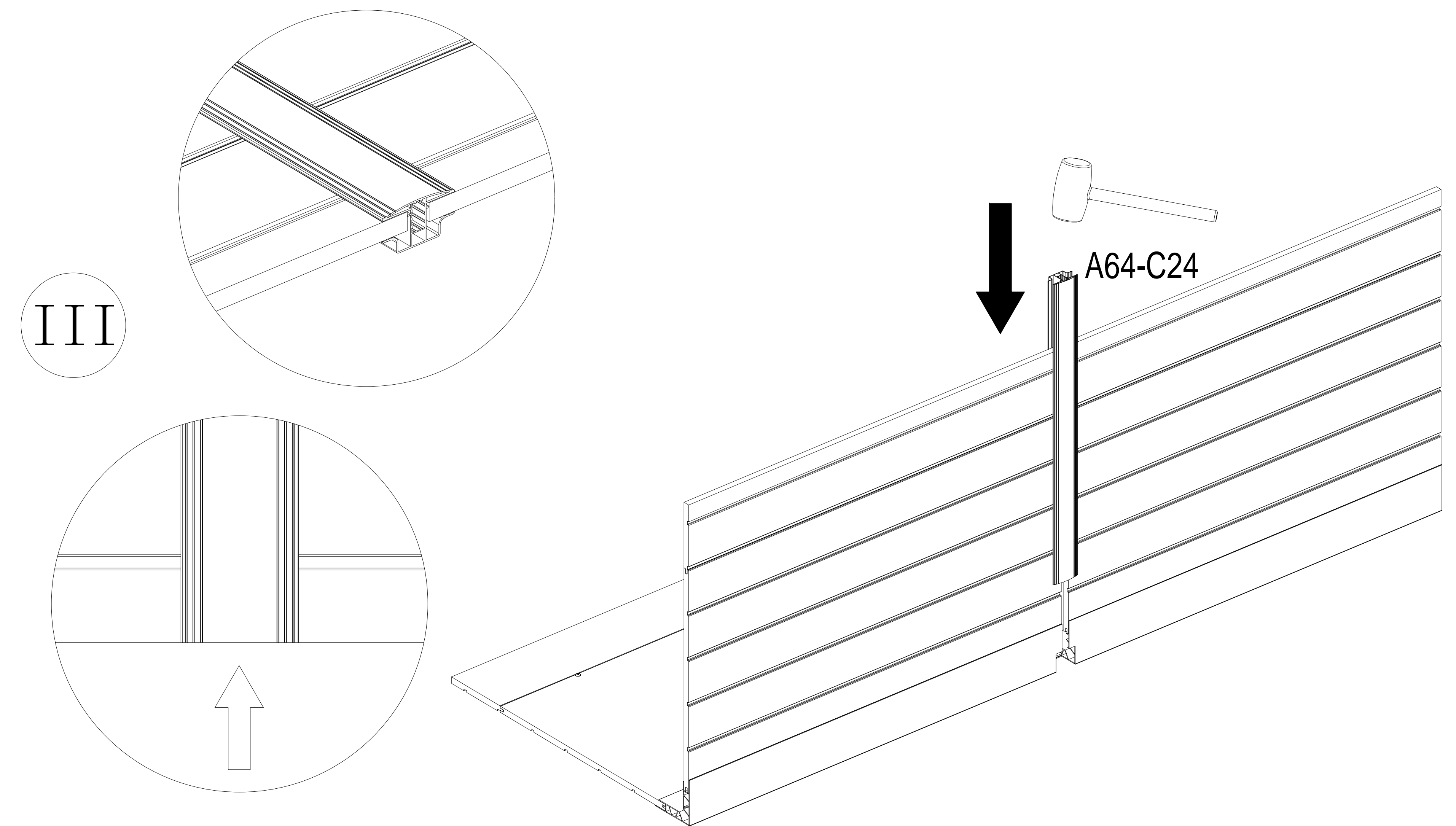
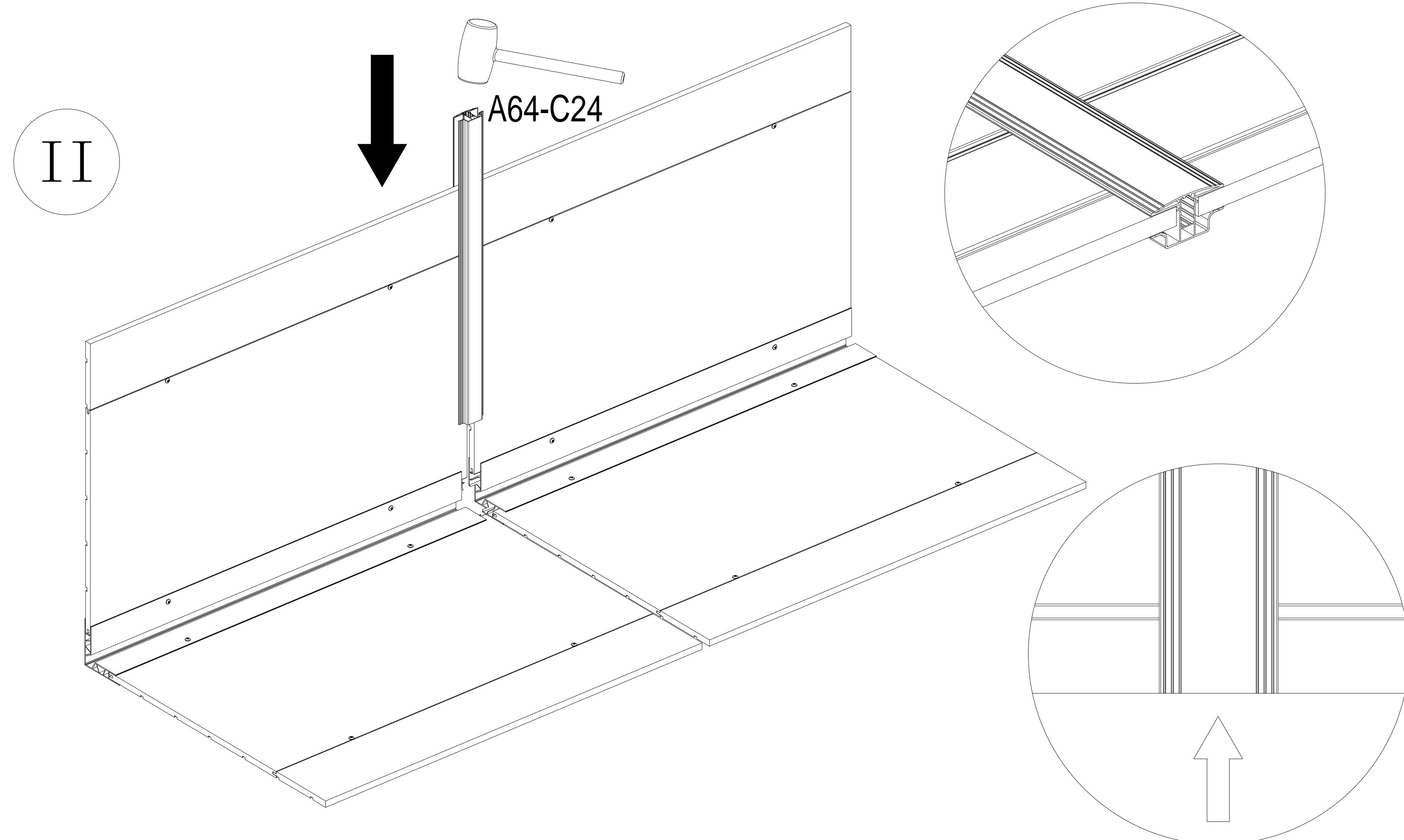
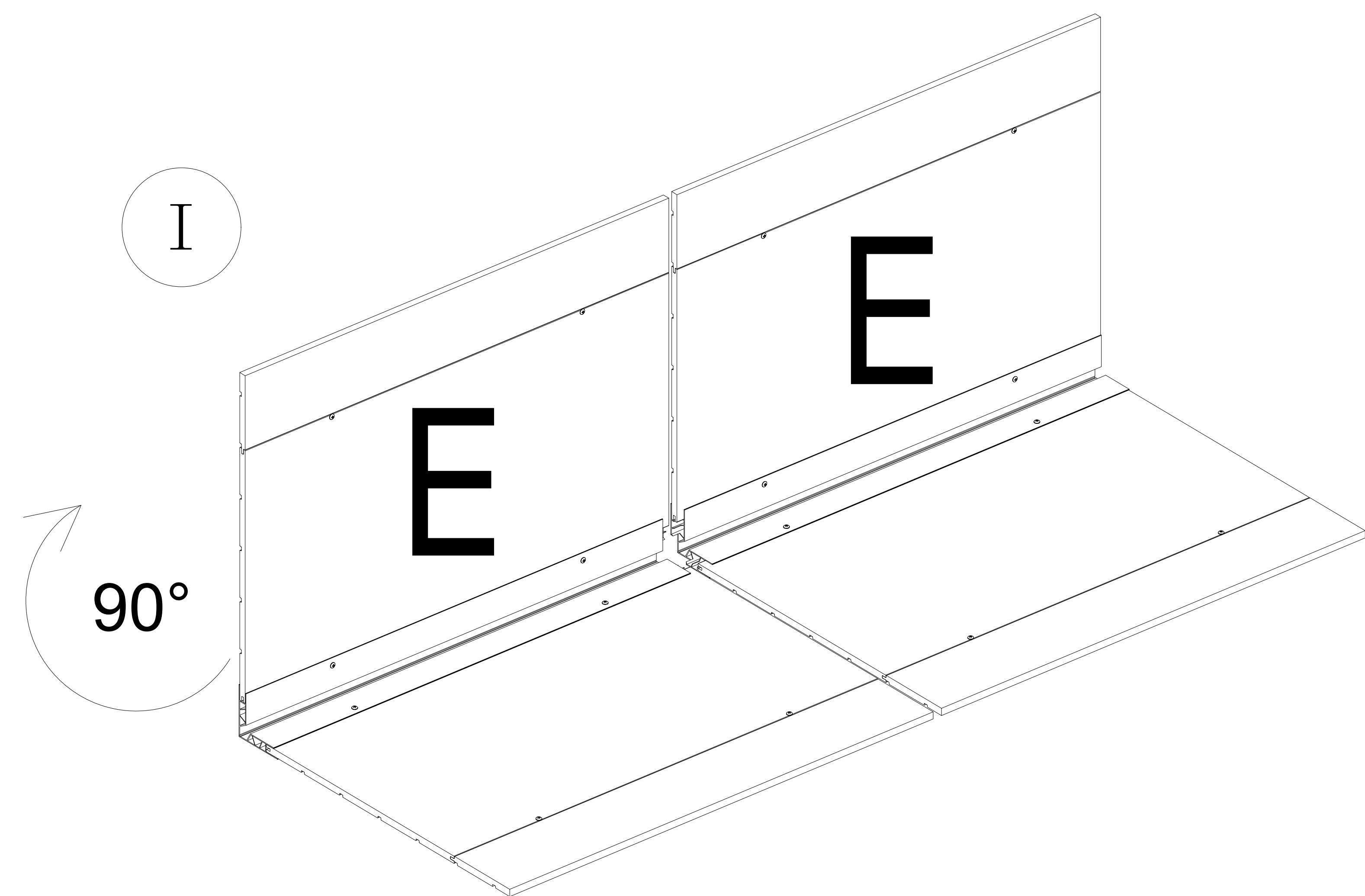
E x2

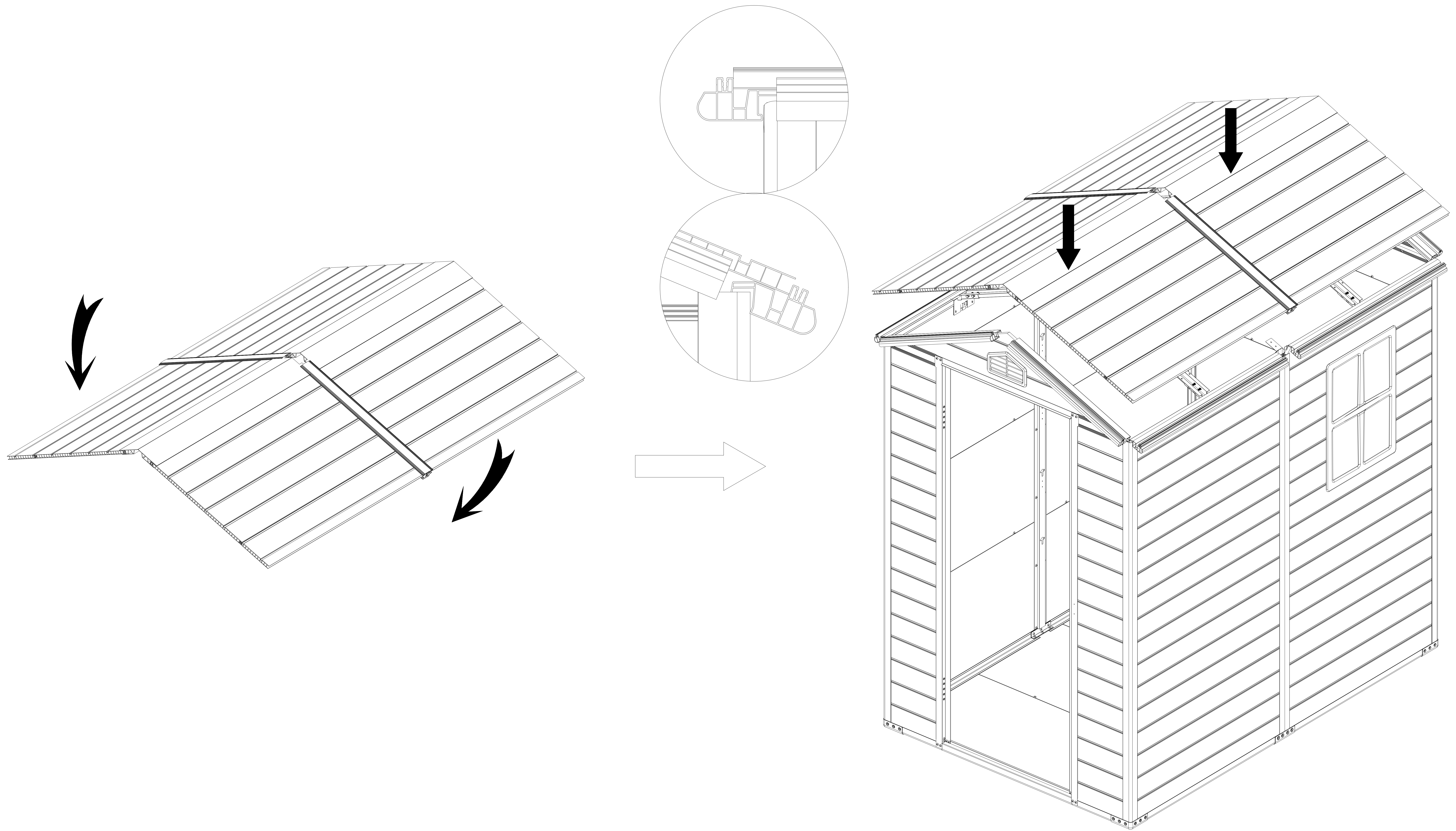


A64-C24 x2

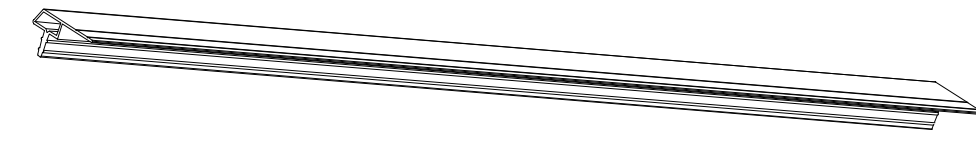


(ST4.2x12)  
E02x12

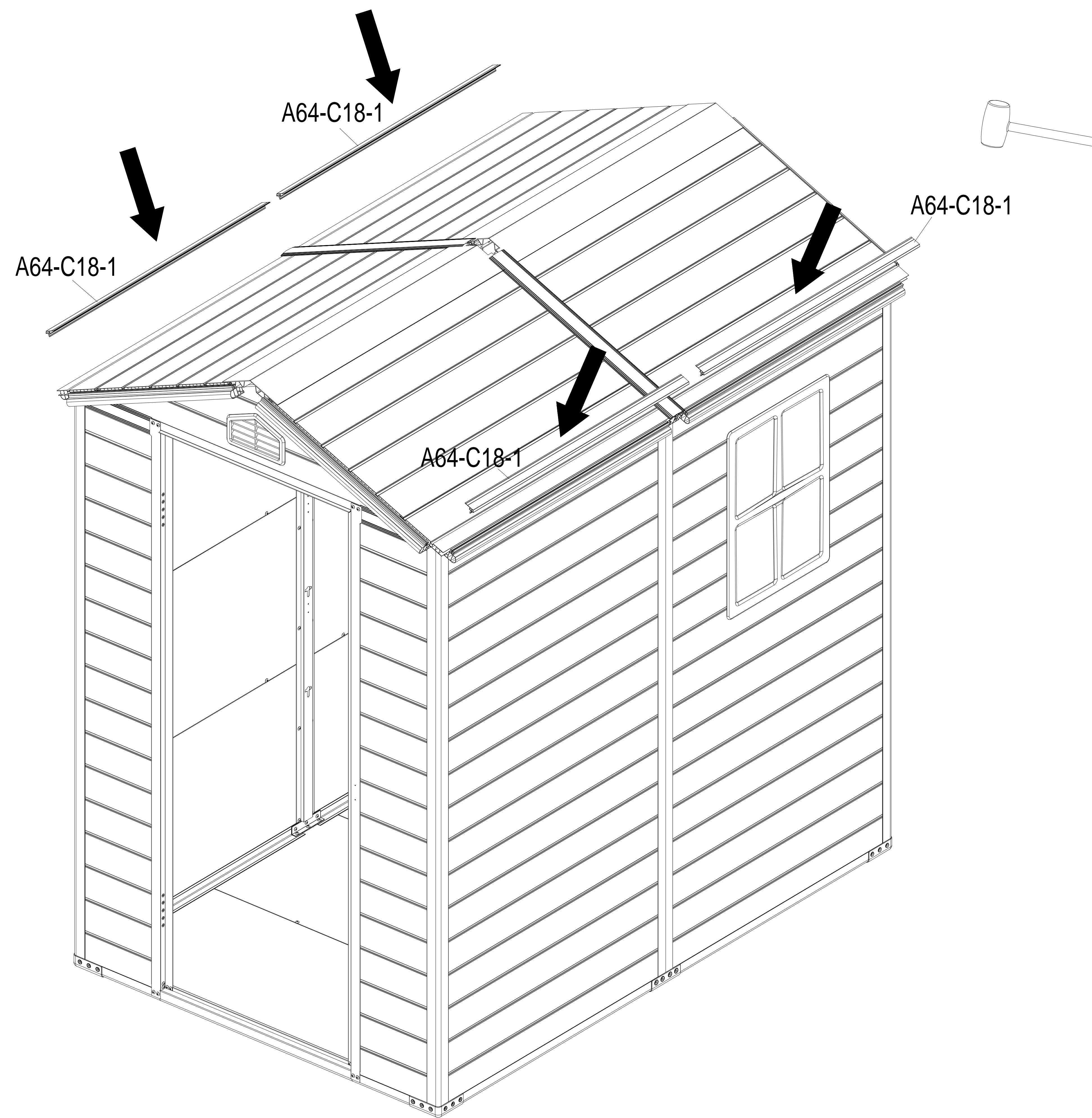
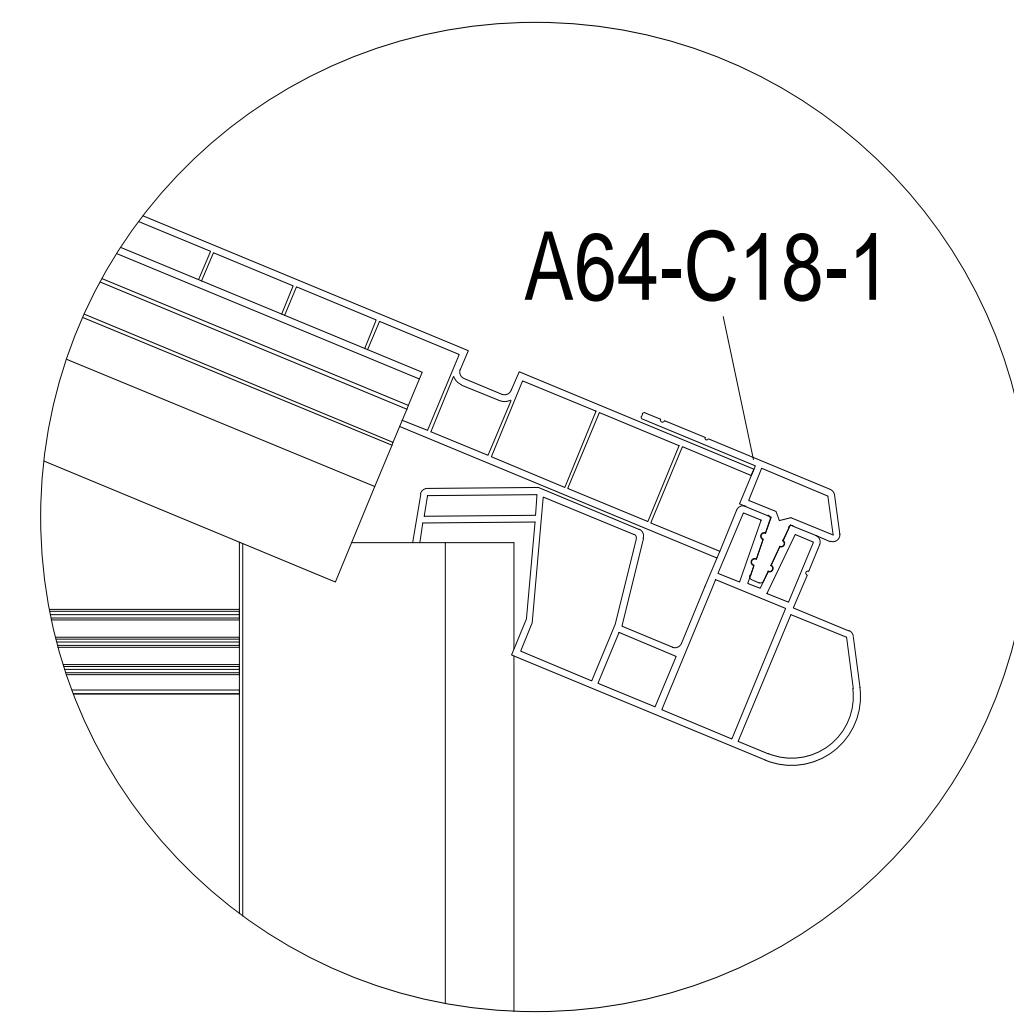


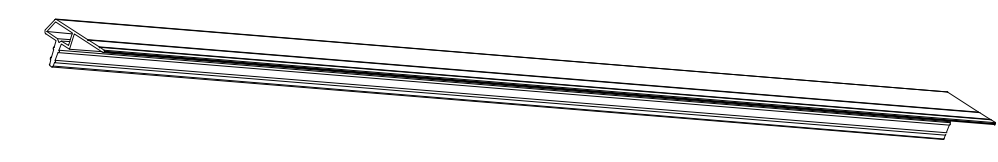




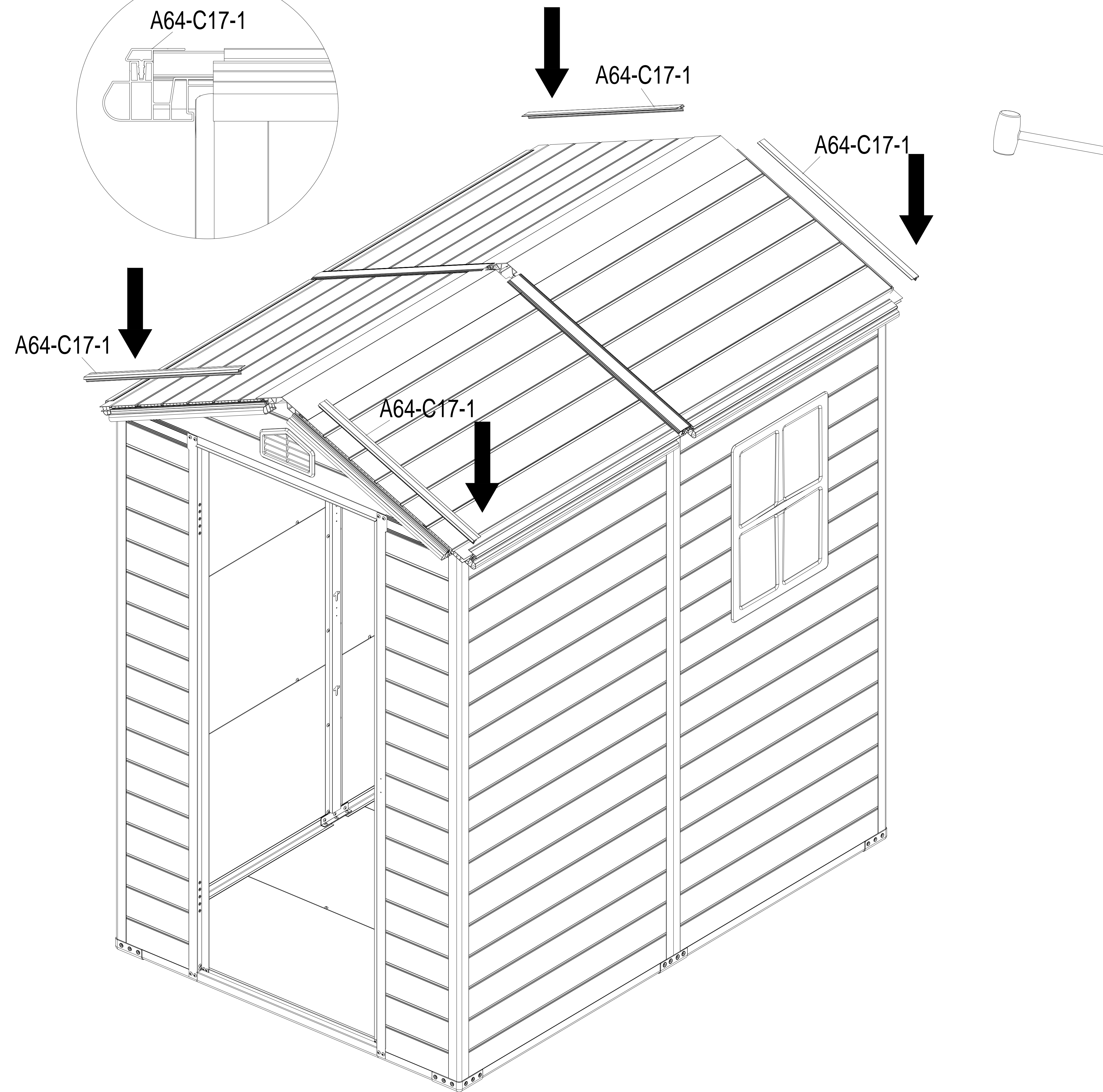
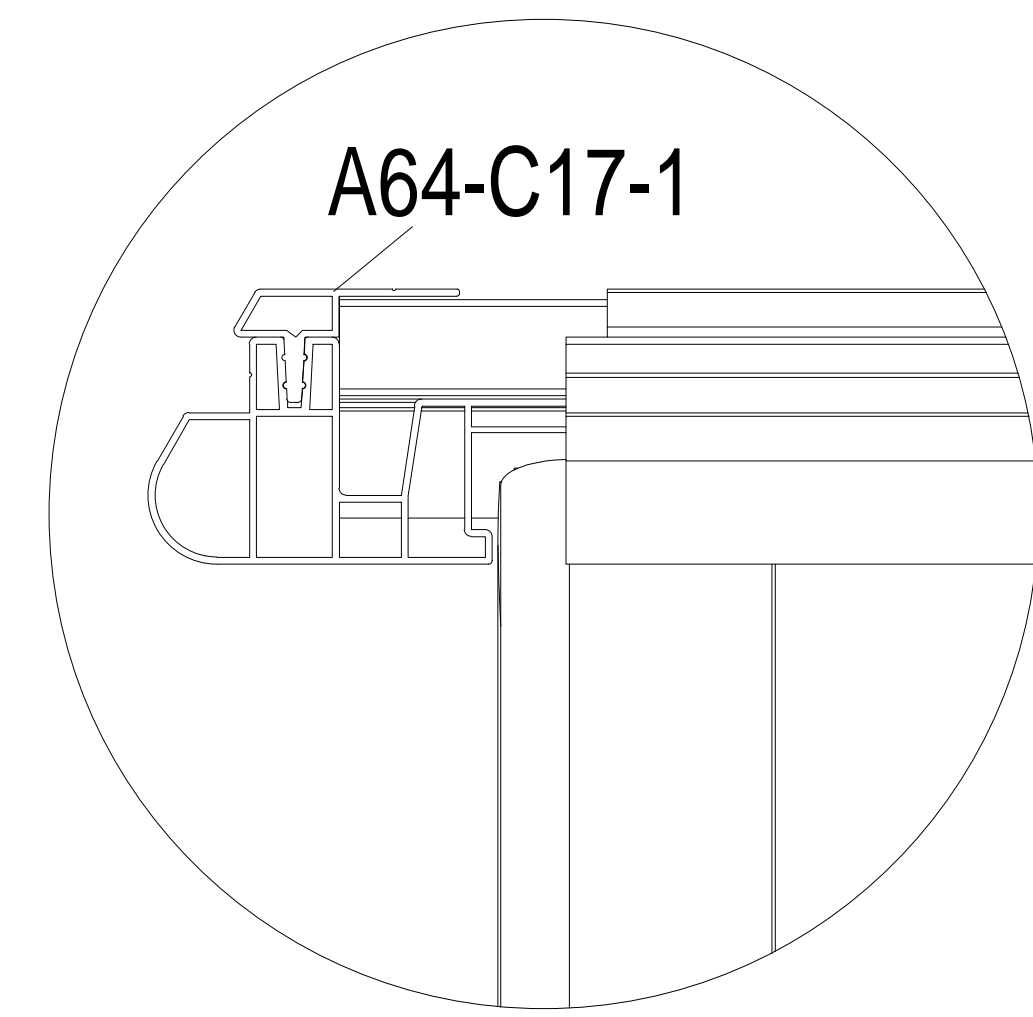


A64-C18-1 x4

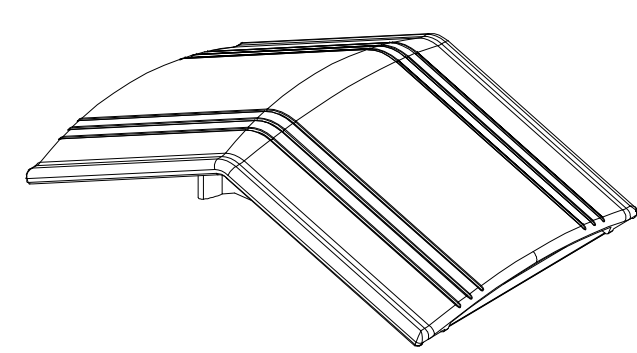




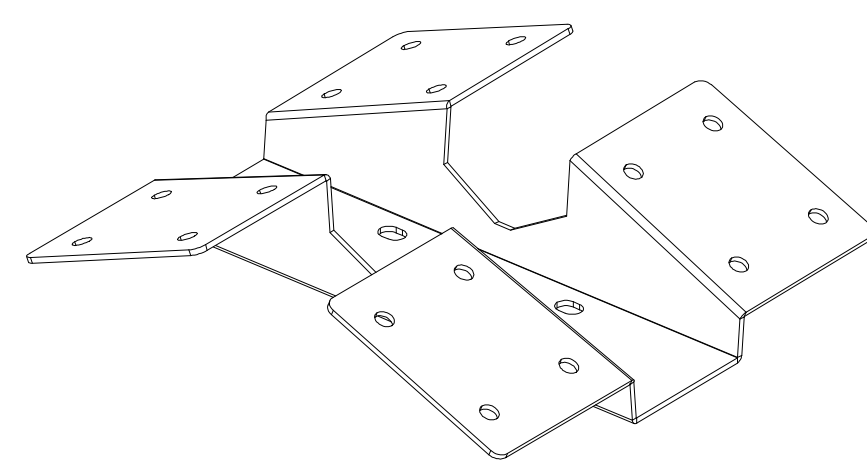
A64-C17-1 x4



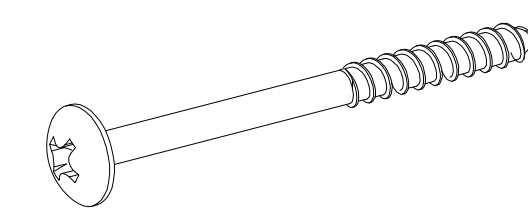




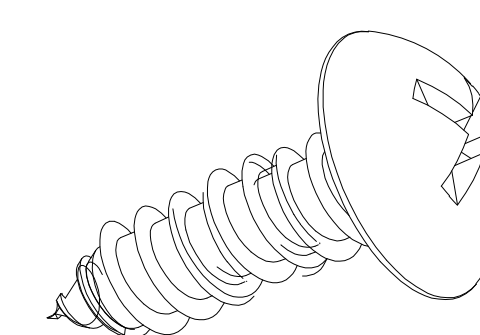
A64-C34 x1



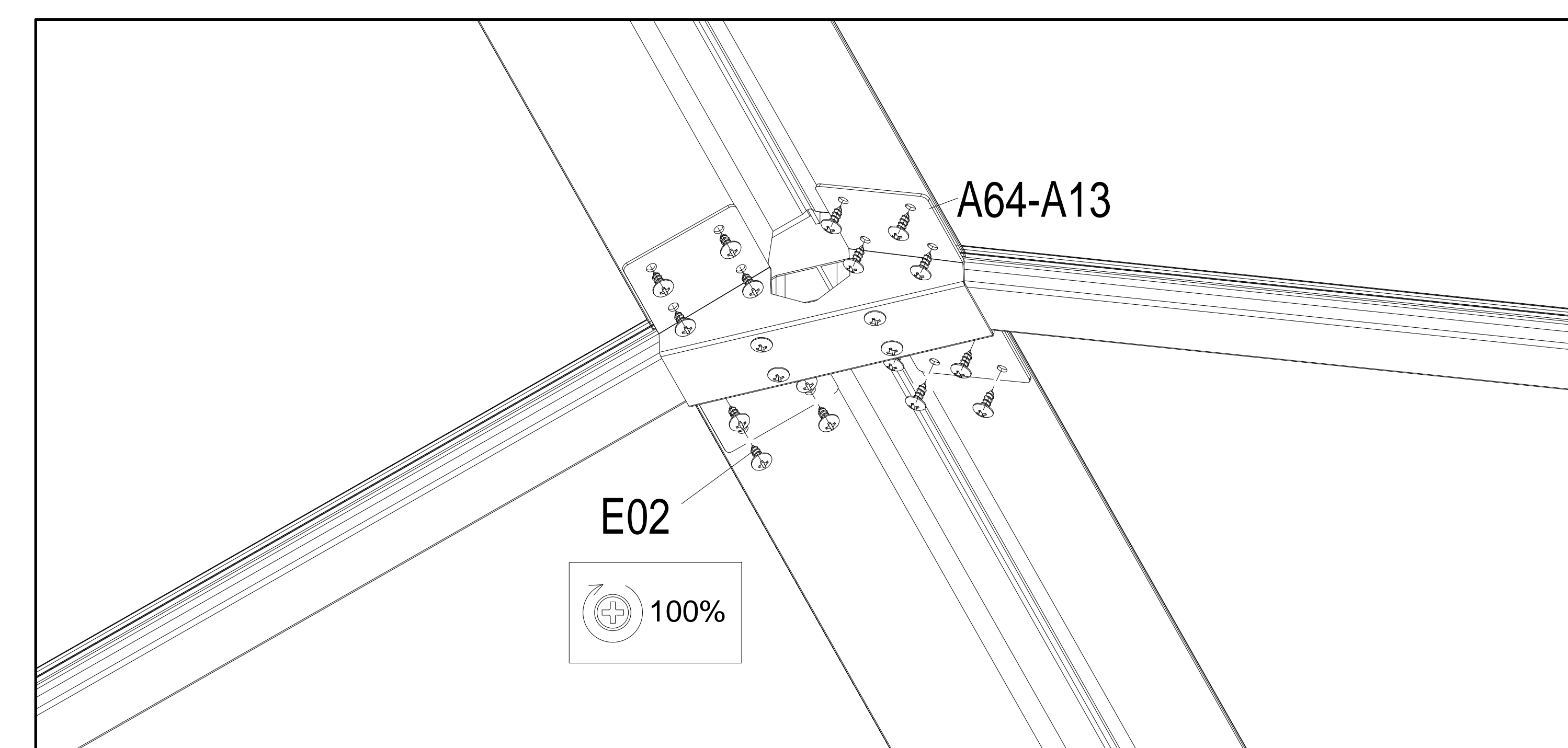
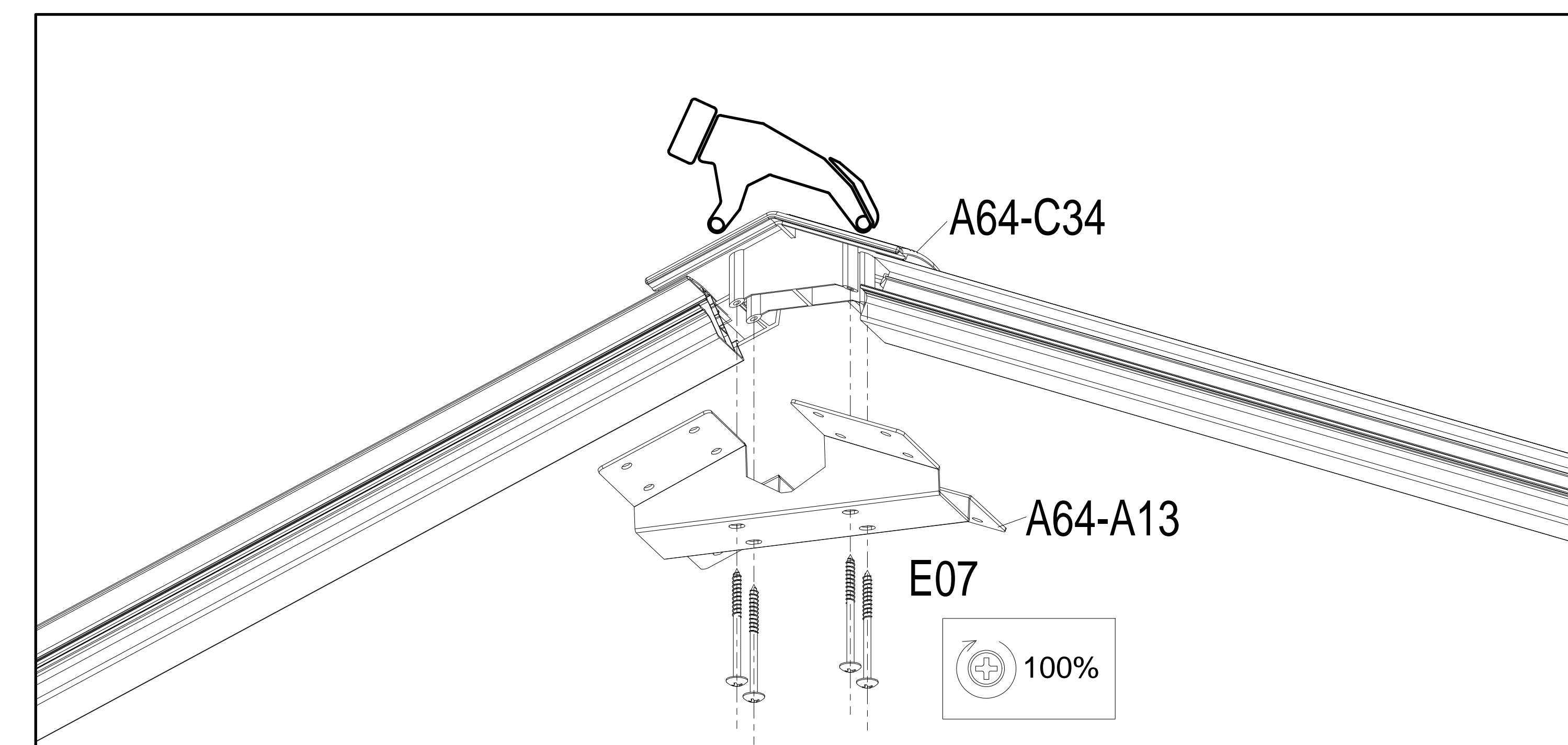
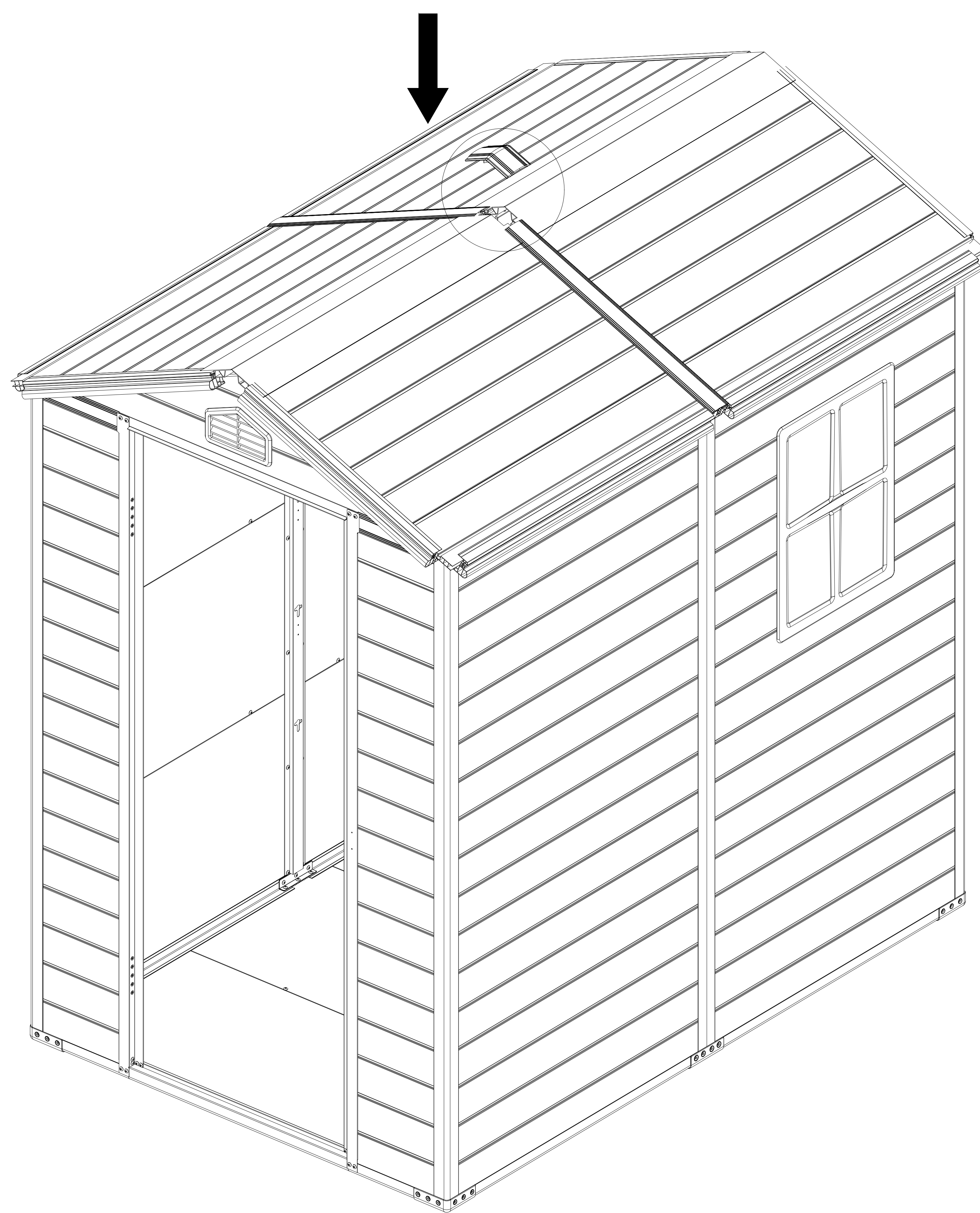
A64-A13 x1

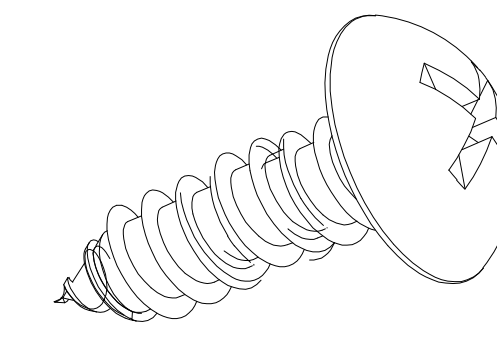


(ST4.2x55)  
E07x4

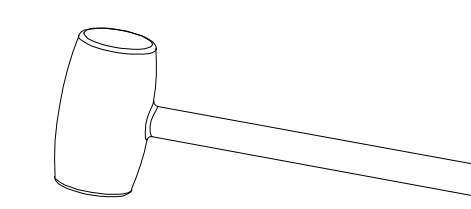
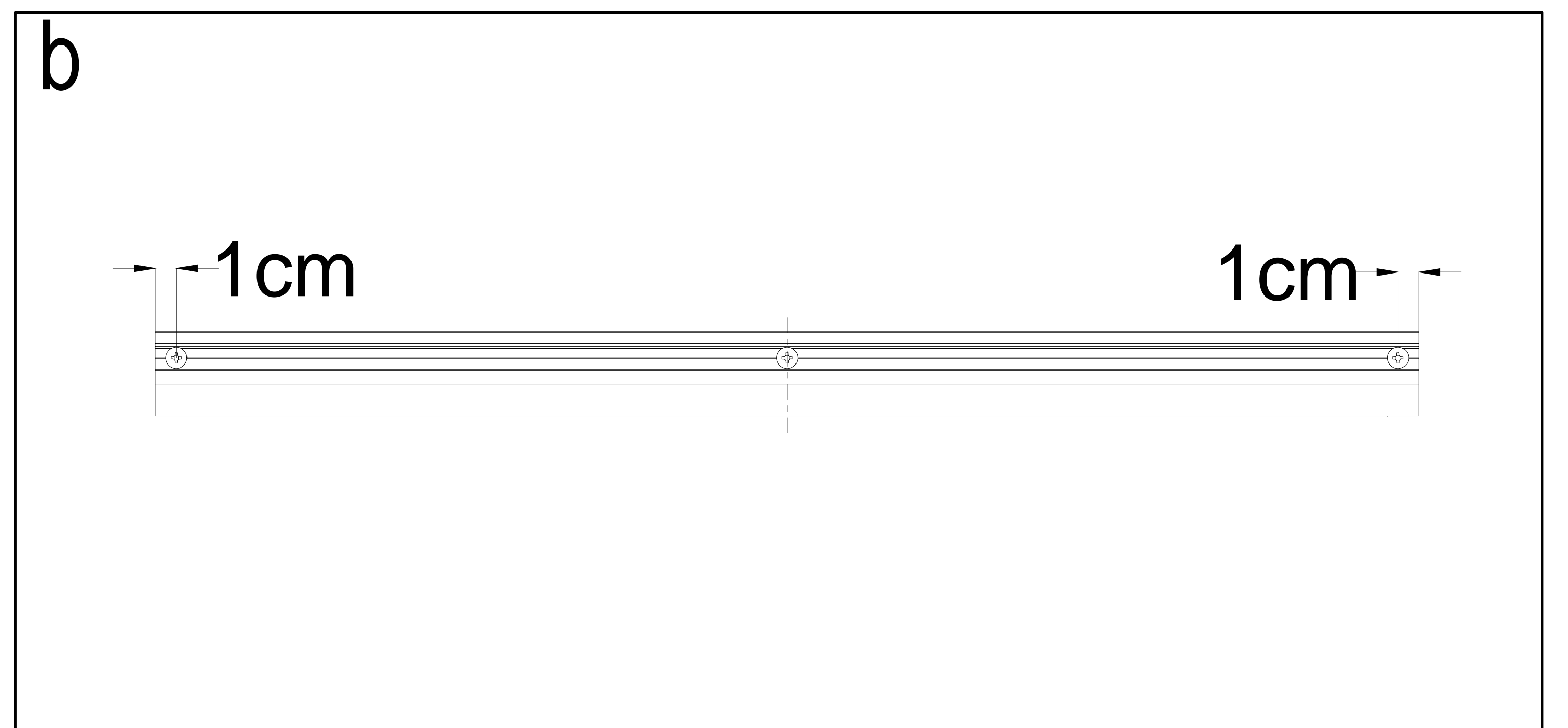
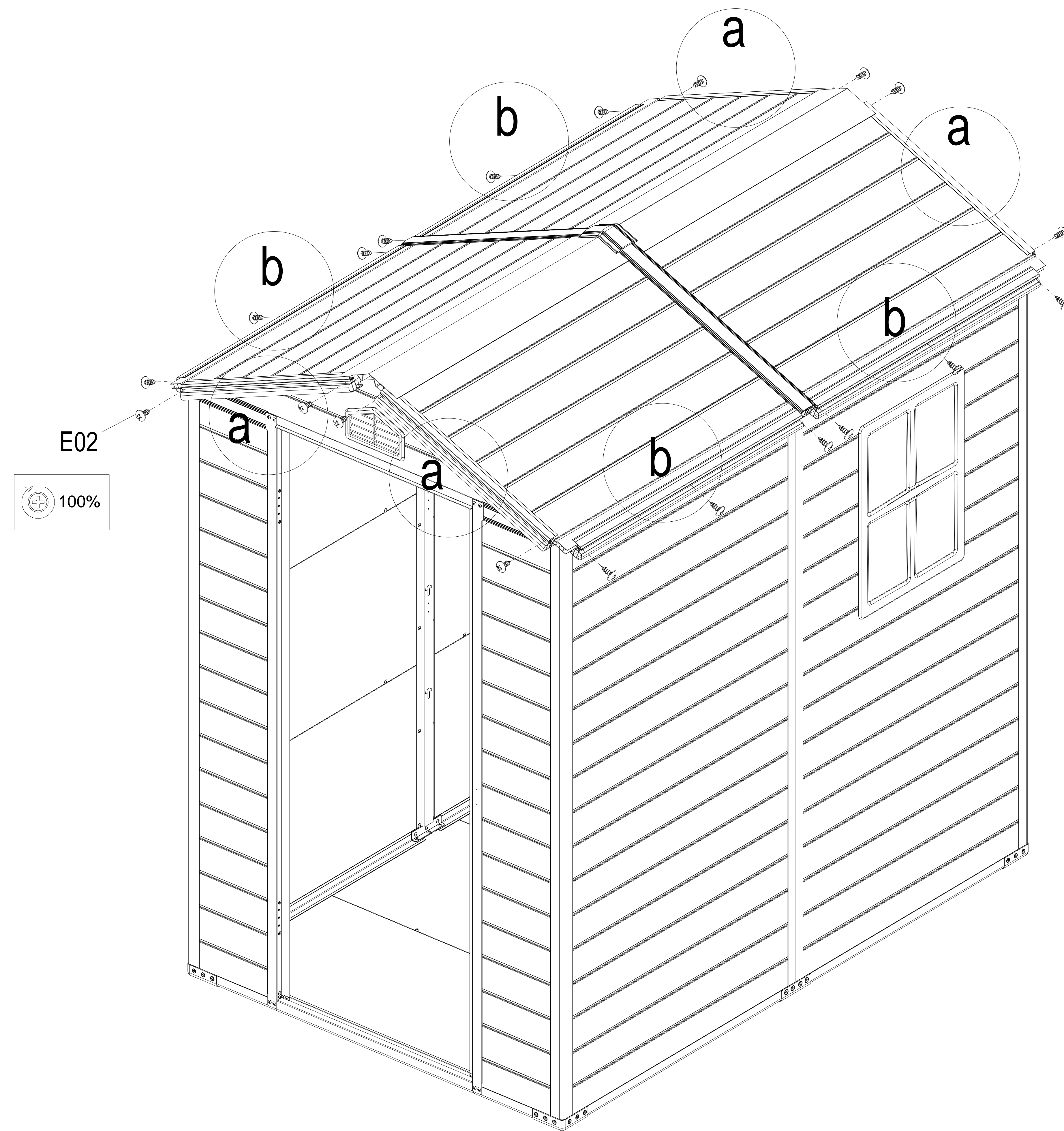


(ST4.2x12)  
E02x16

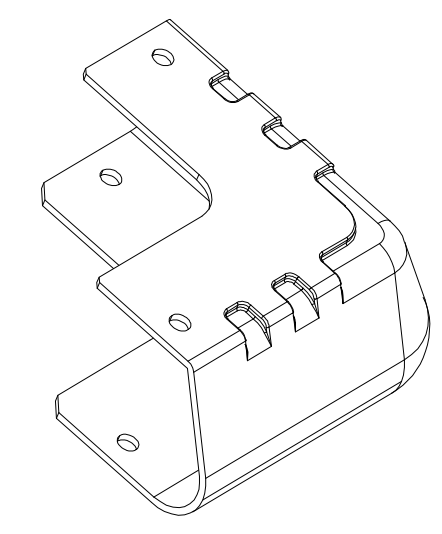




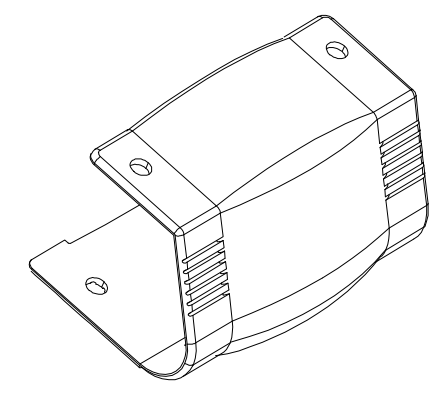
(ST4.2x12)  
E02x20



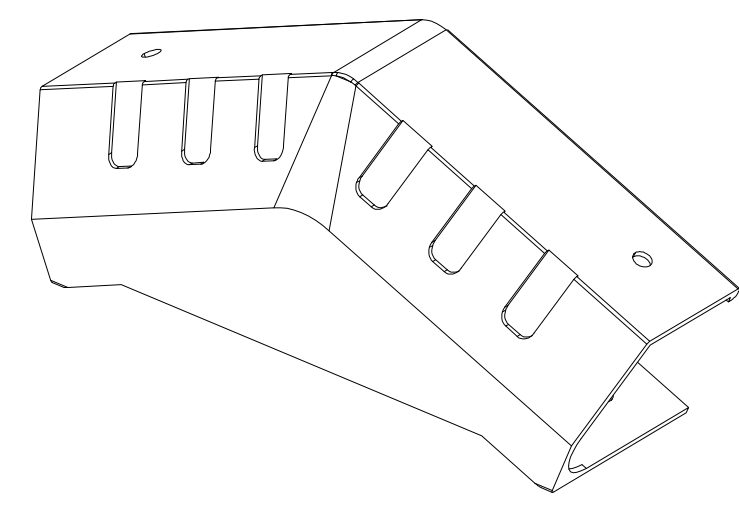




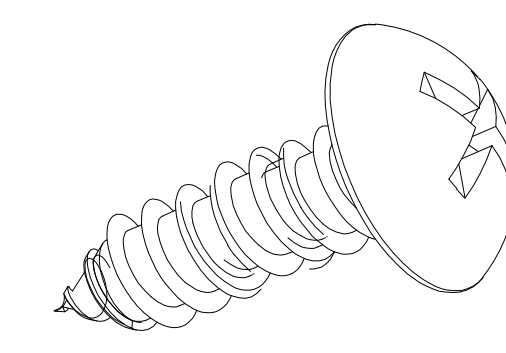
F35-C30 x4



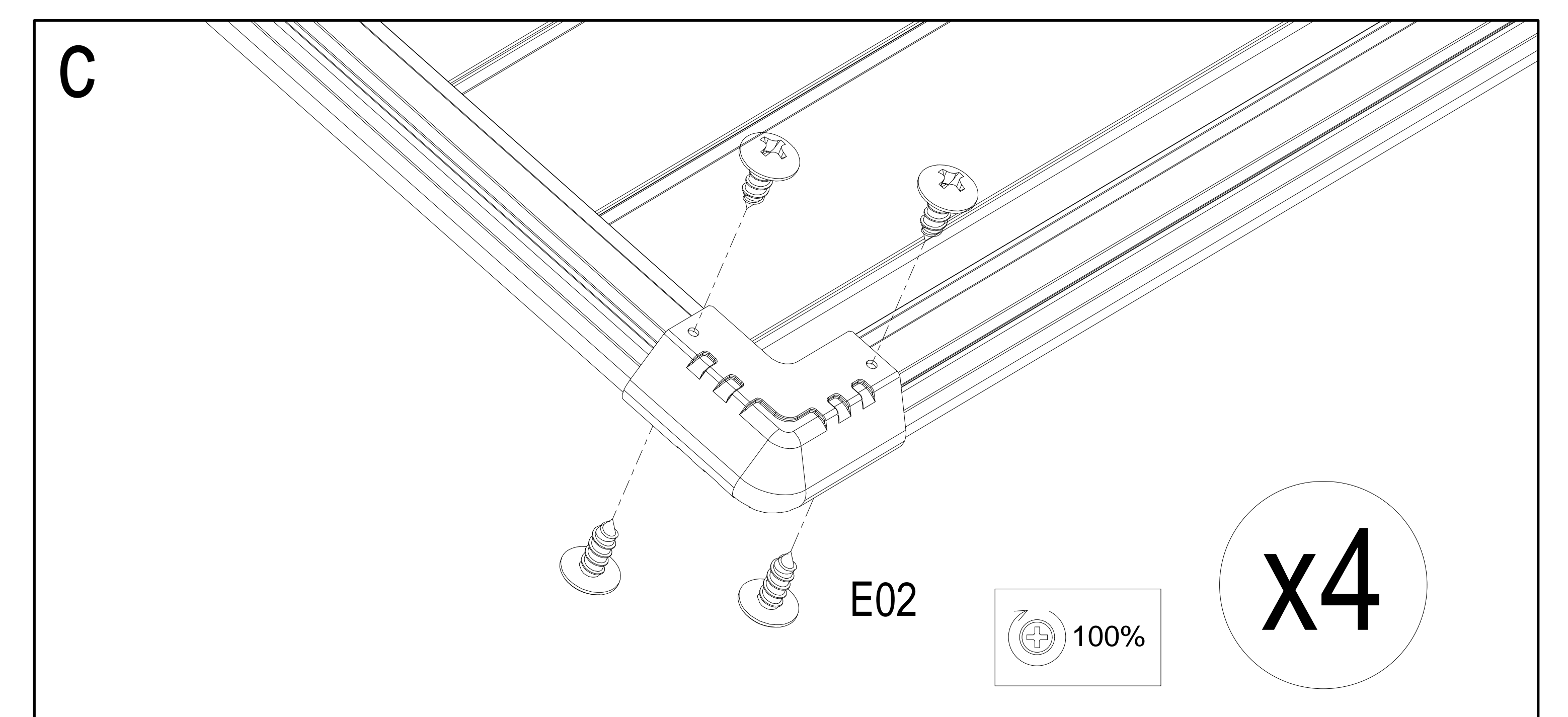
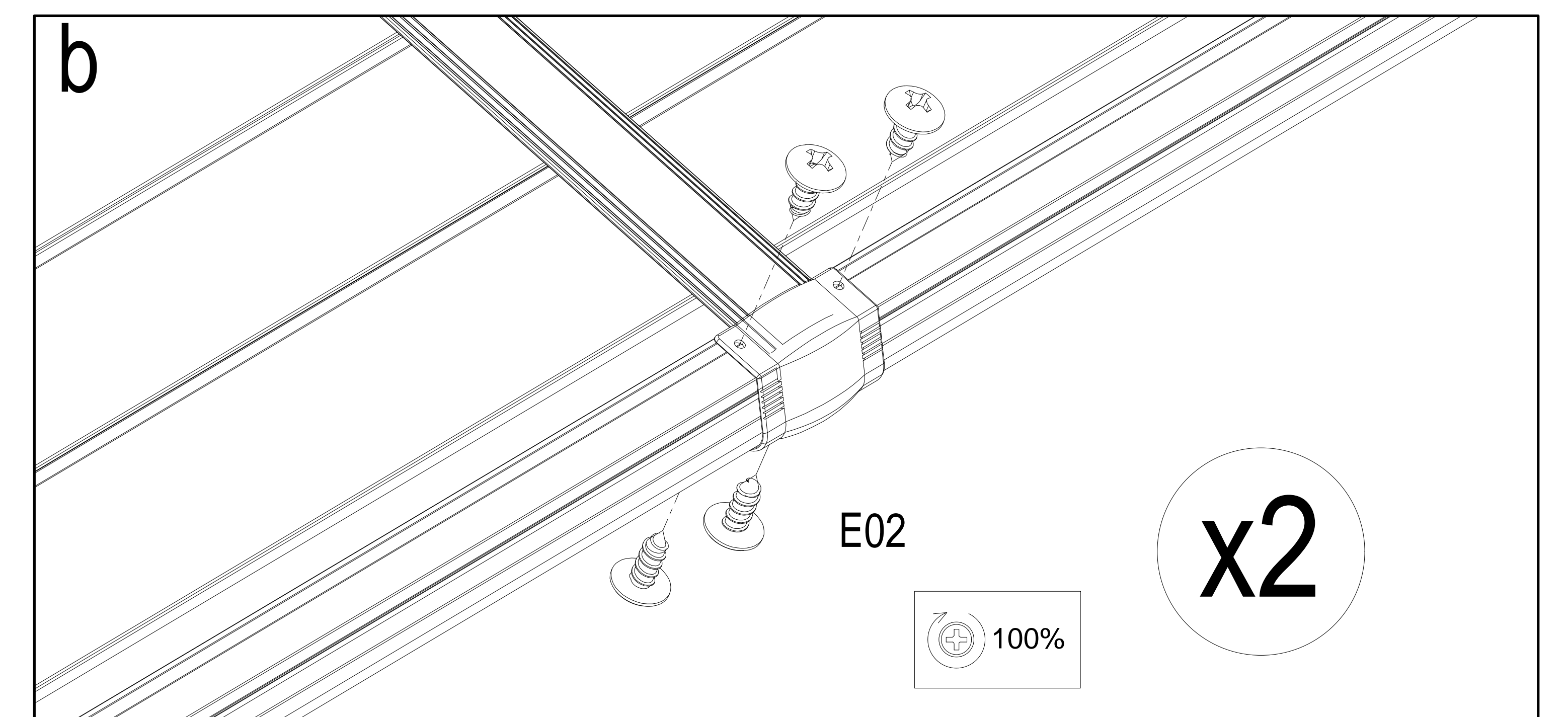
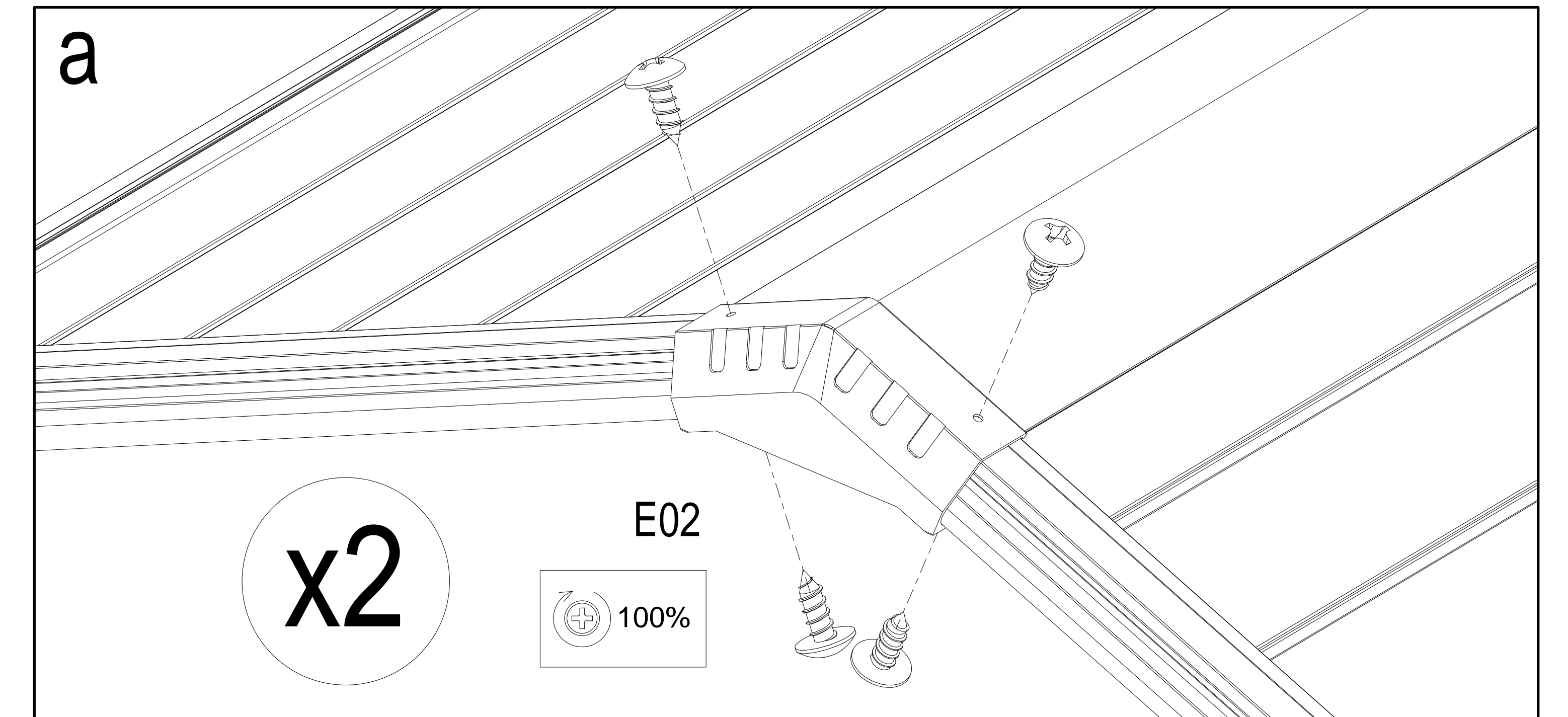
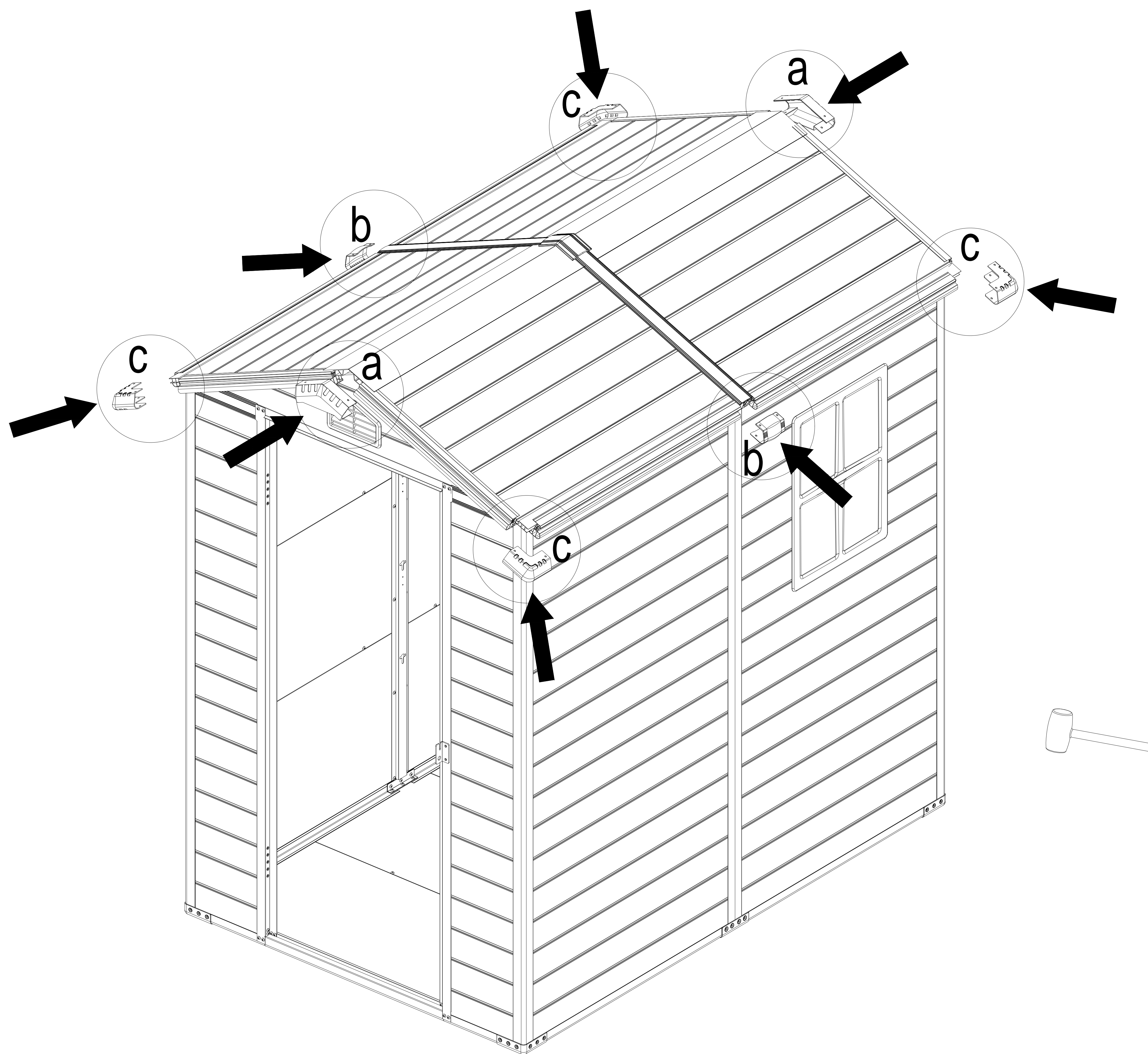
A64--C31 x2

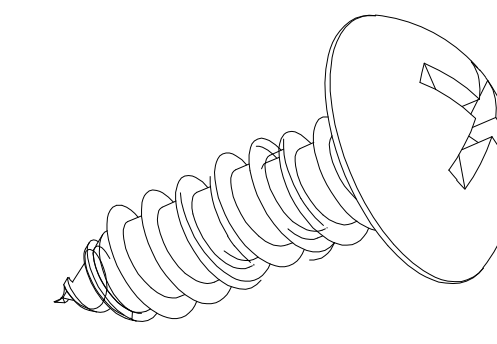


A64--C29 x2



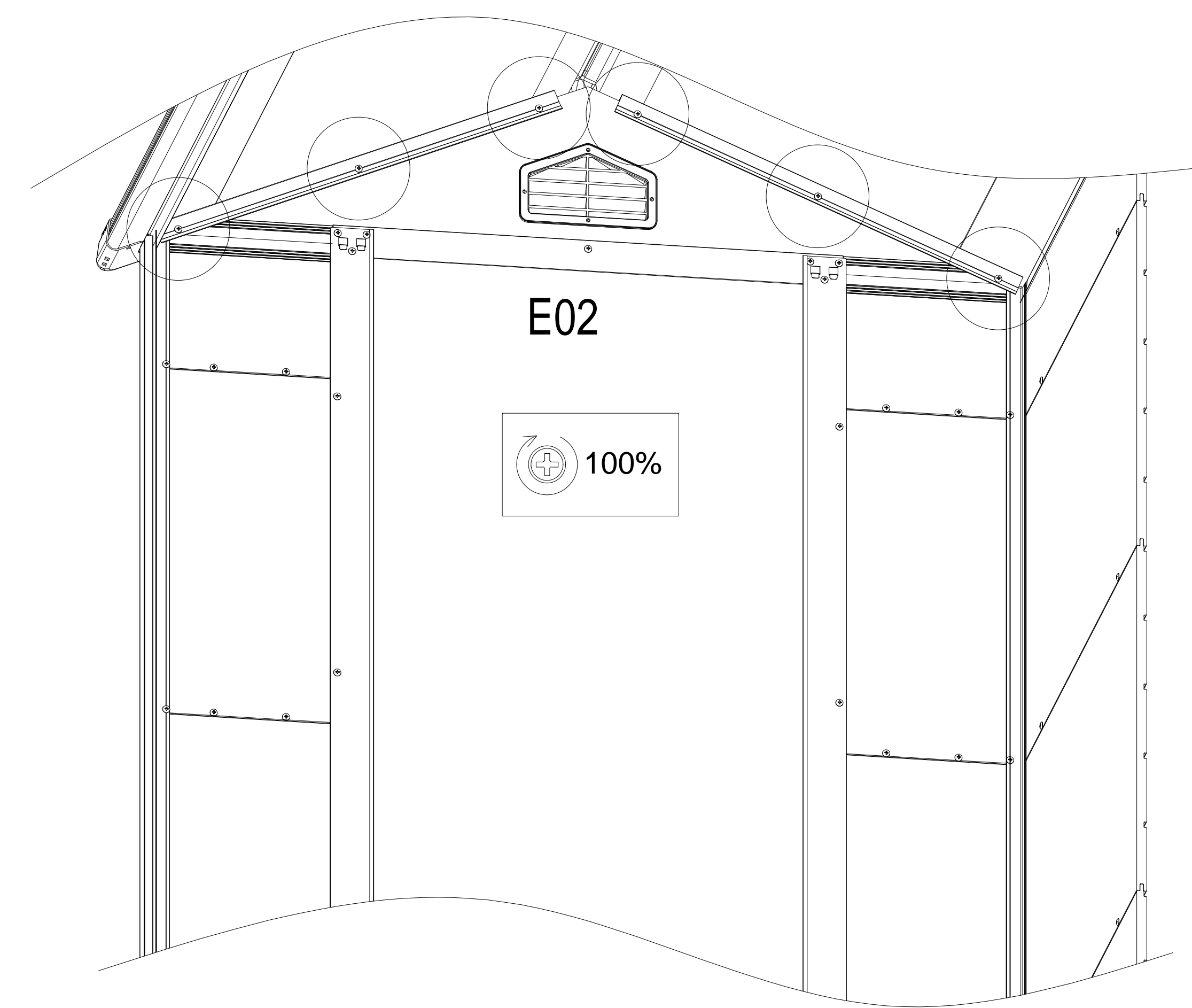
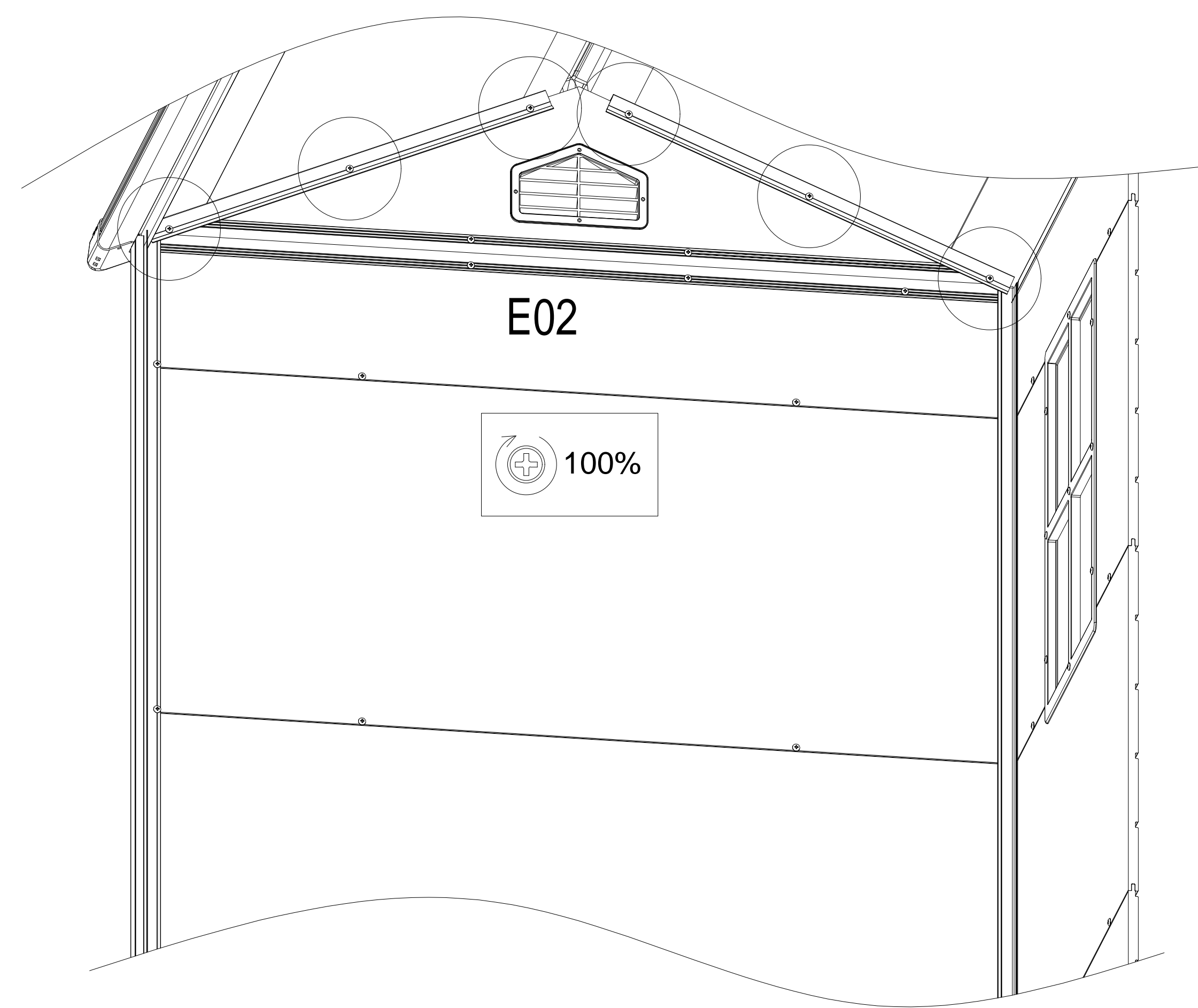
(ST4.2x12)  
E02x32



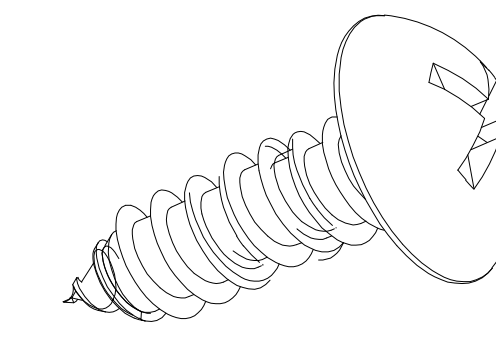


(ST4.2x12)  
E02x12

## Internal Side View

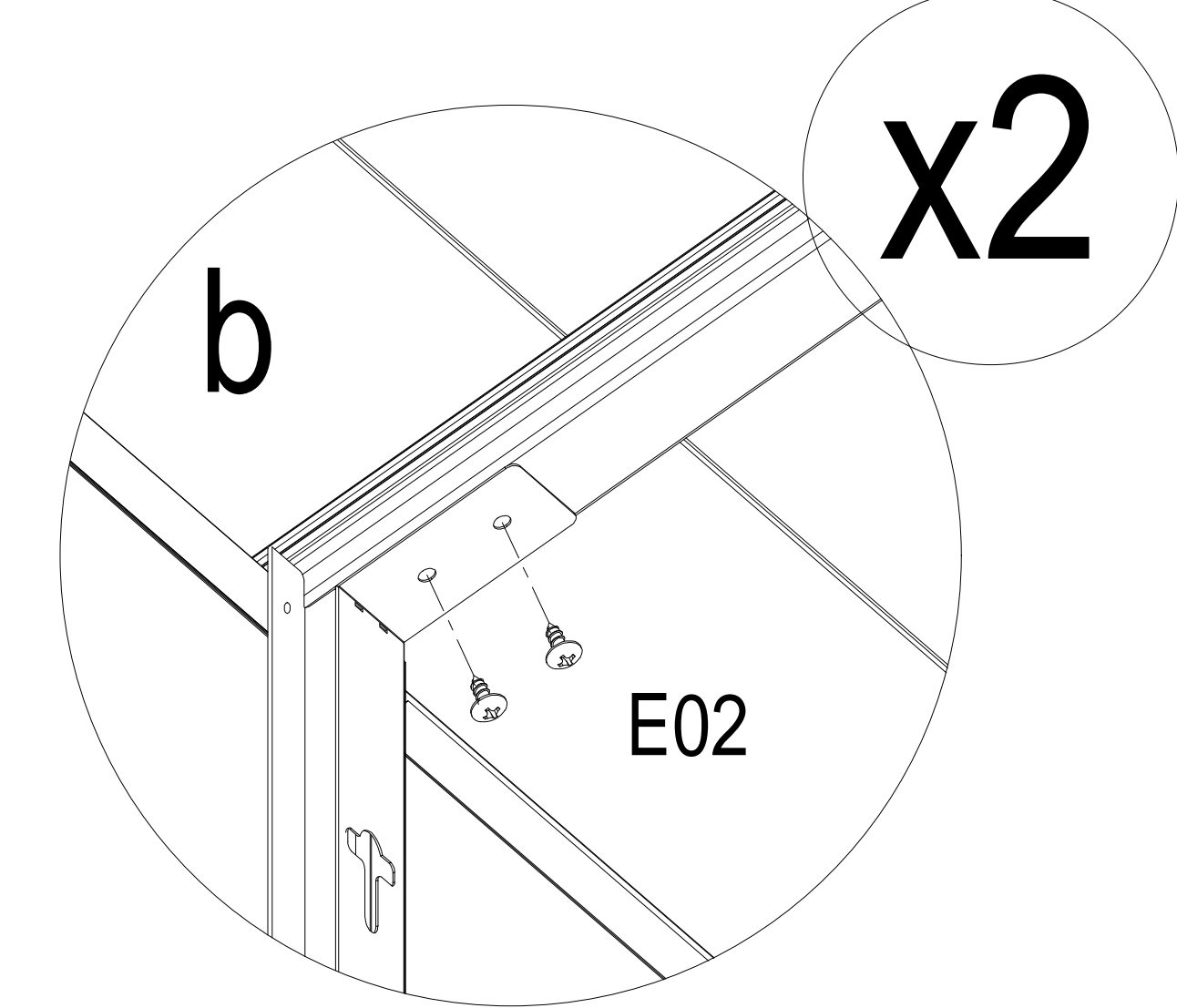
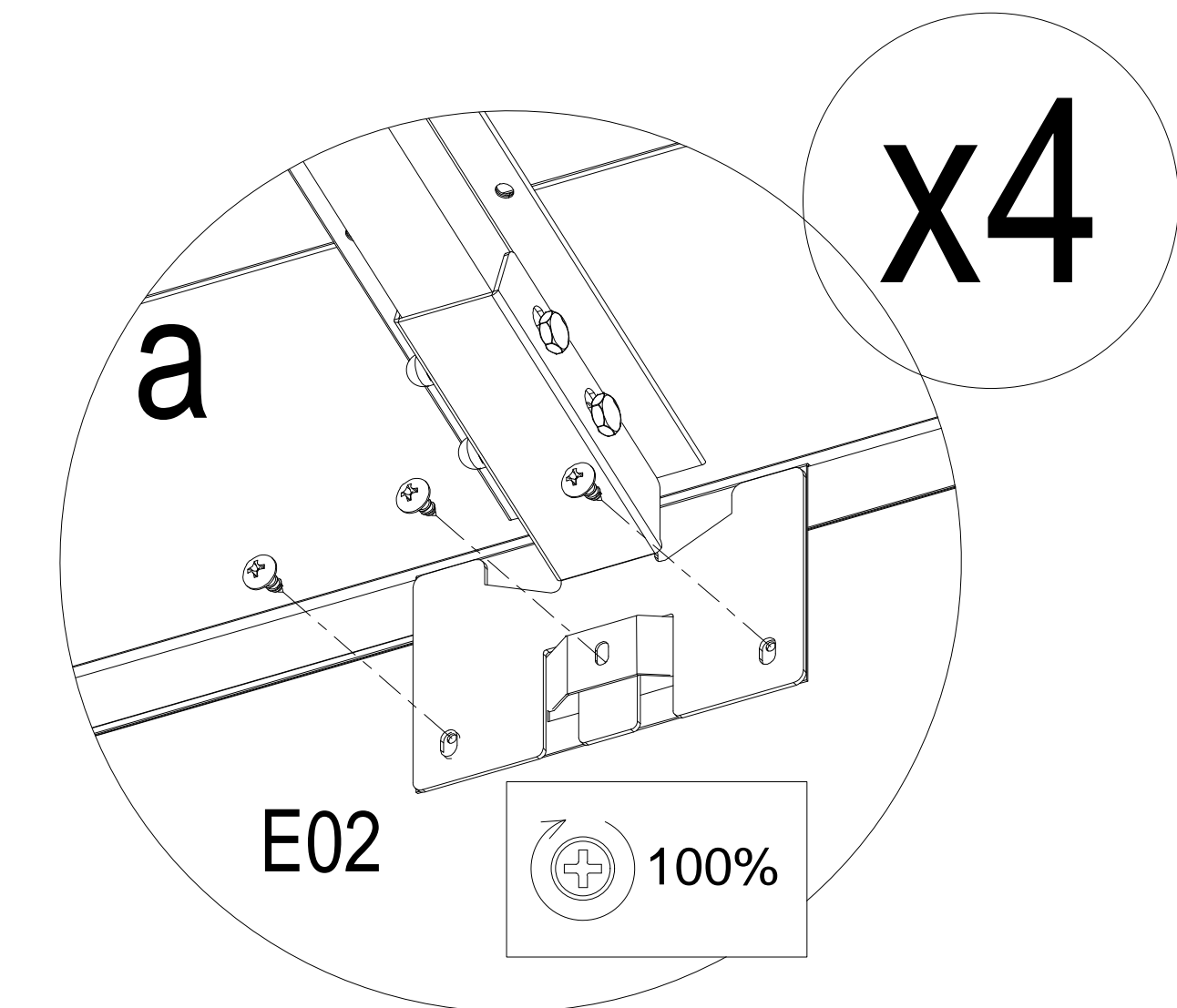
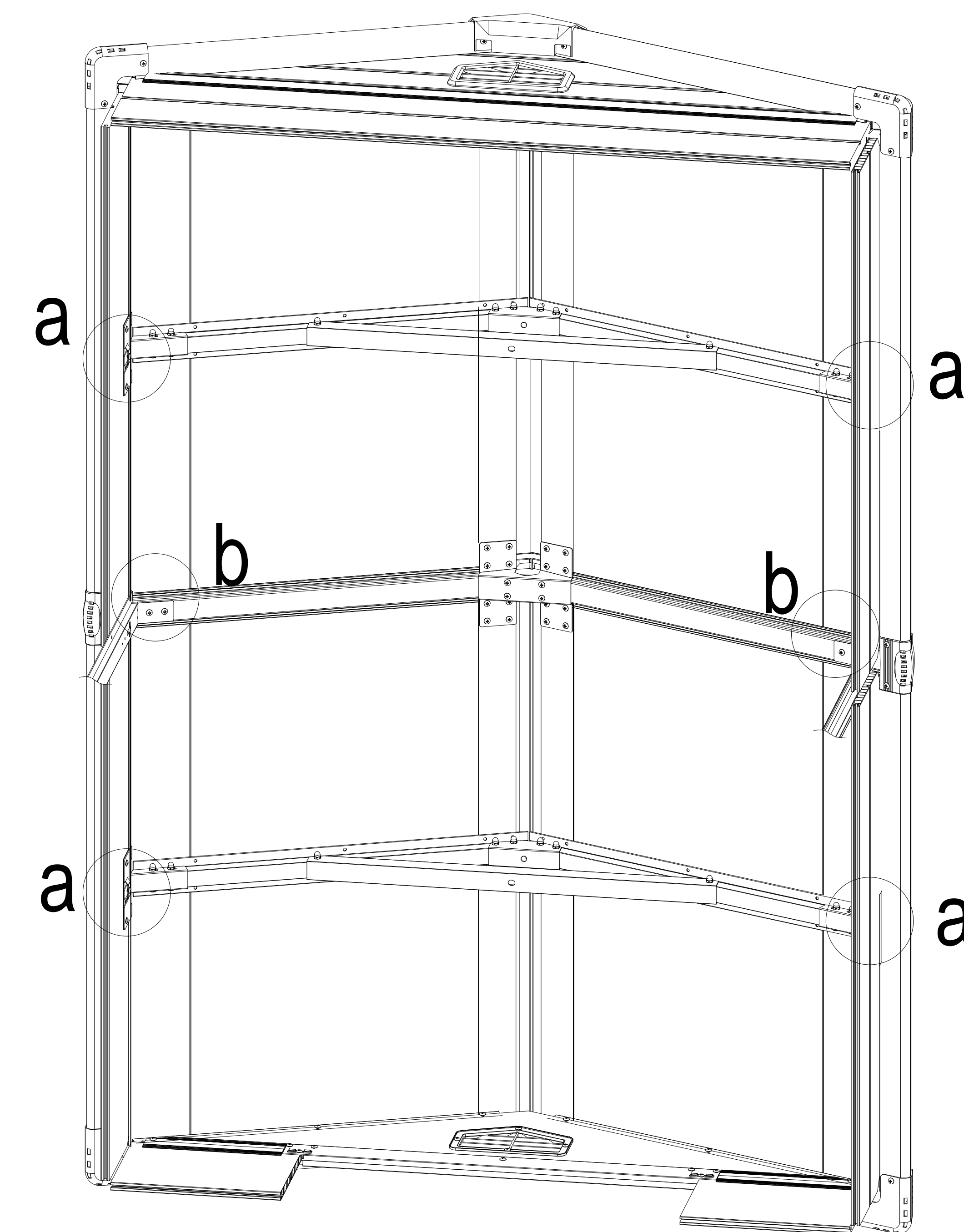
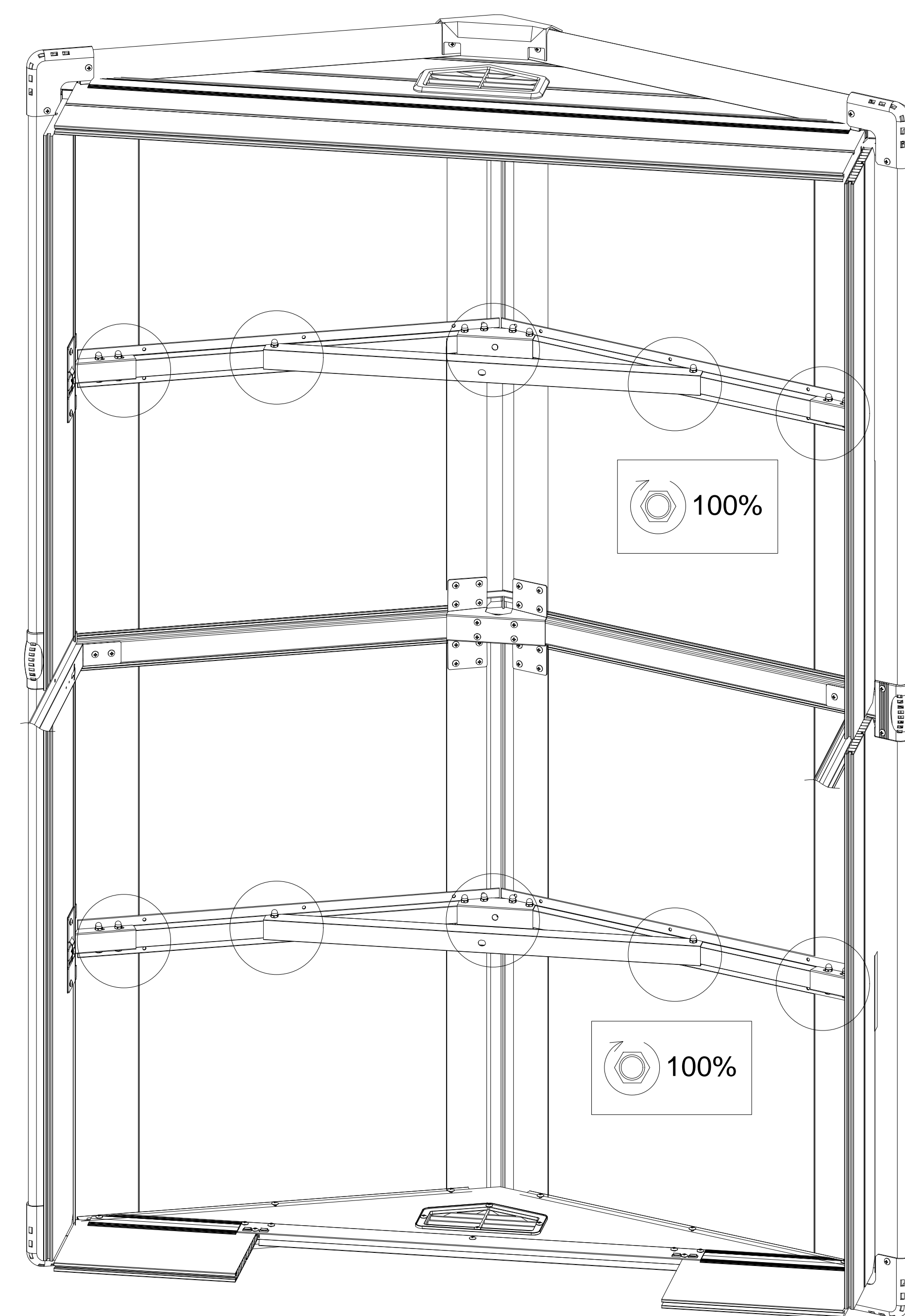


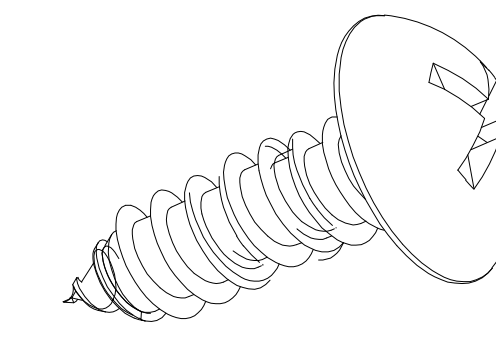




(ST4.2x12)  
E02x16

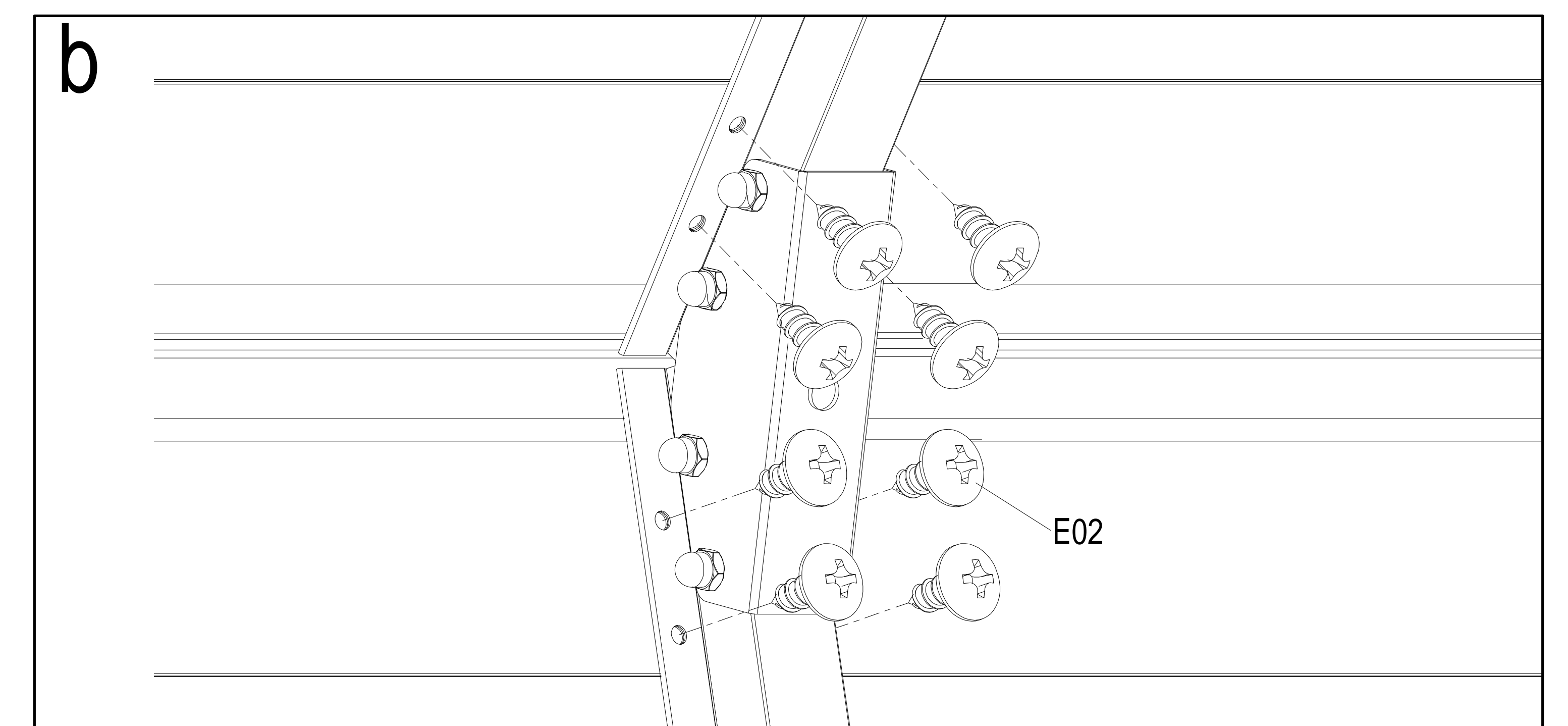
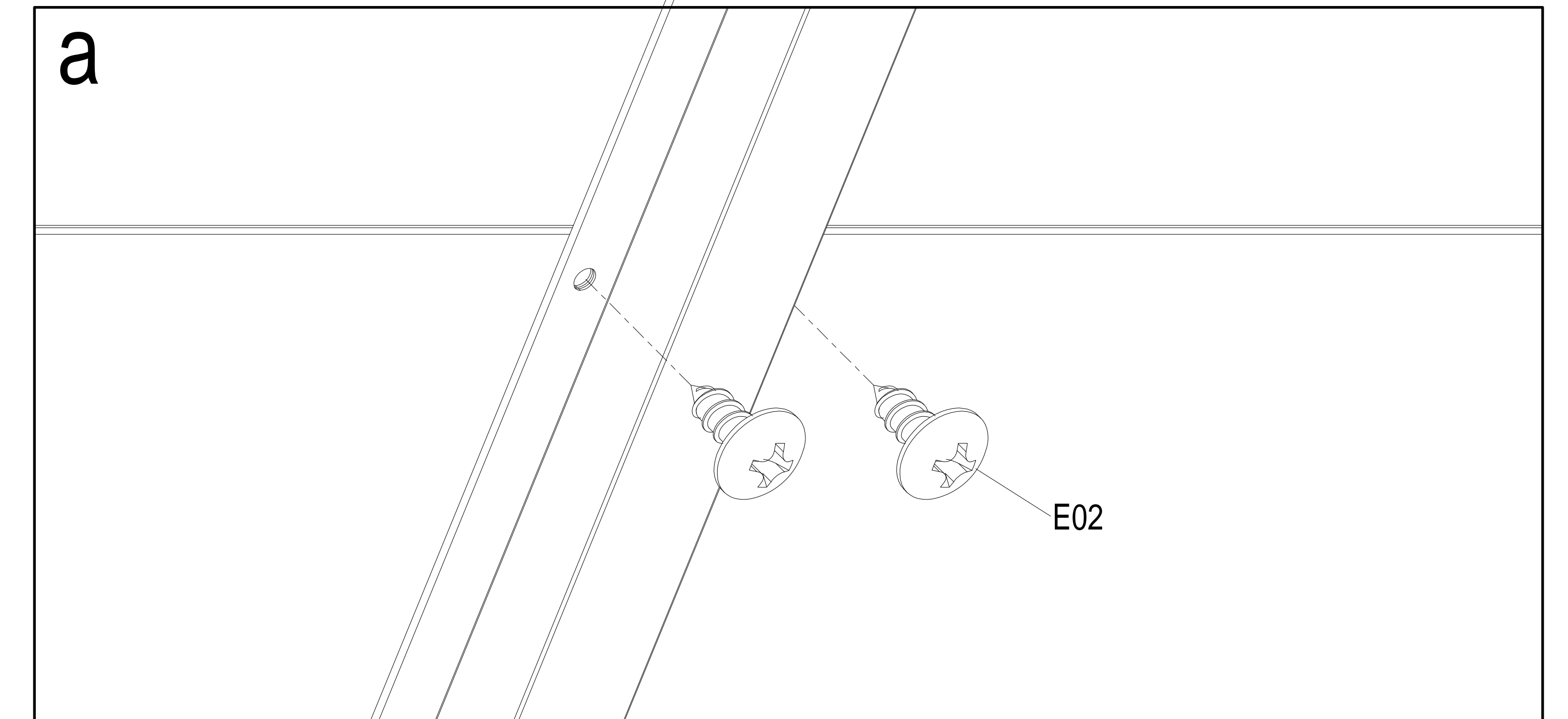
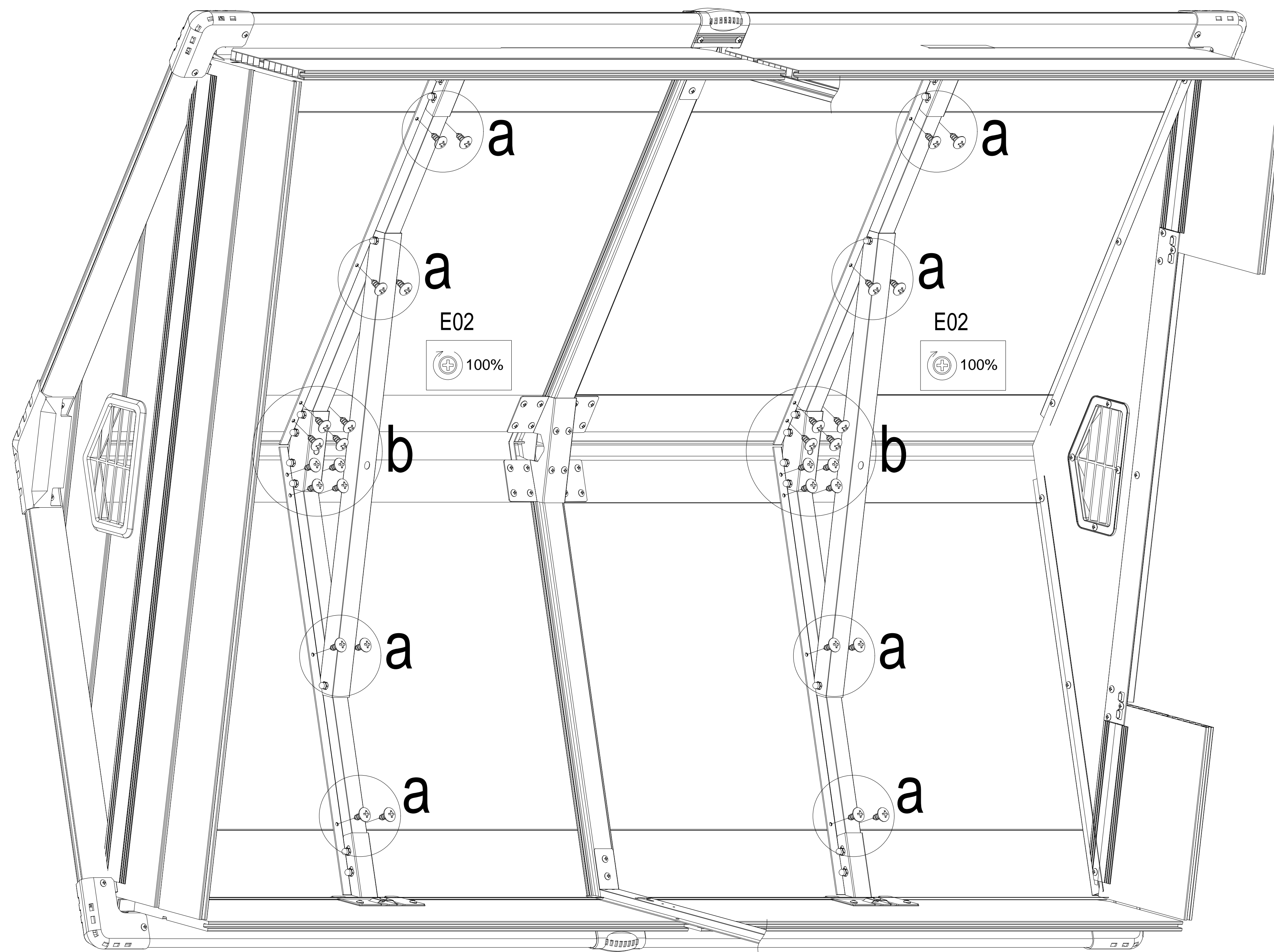
# Internal Side View

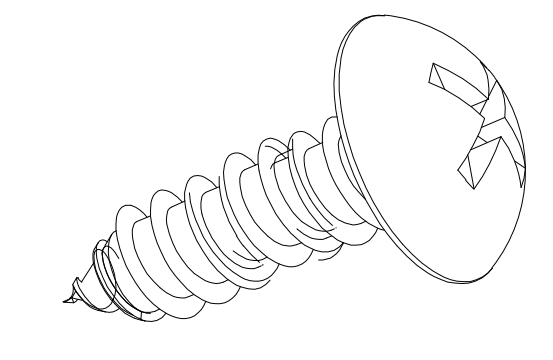




(ST4.2x12)  
E02x32

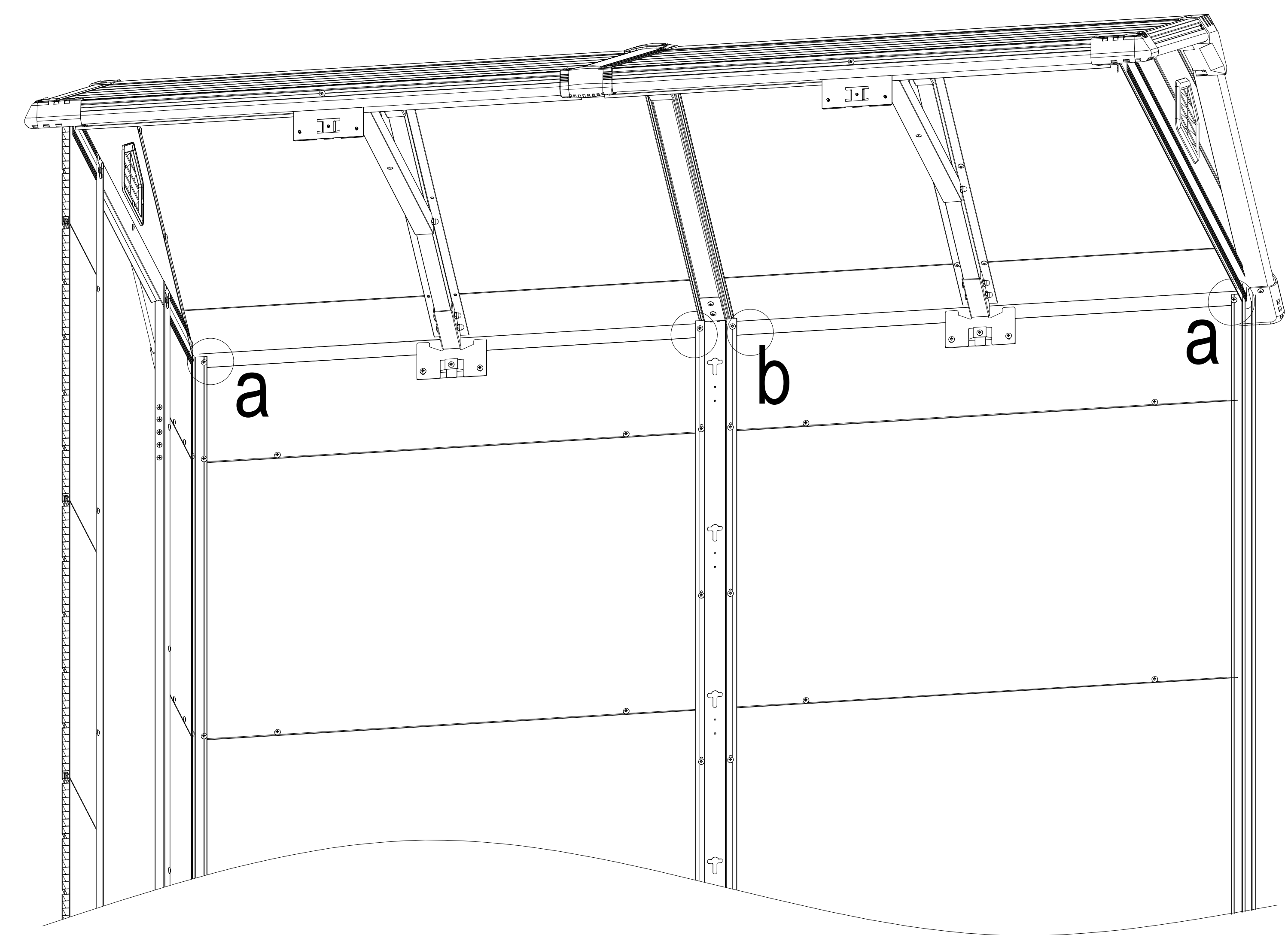
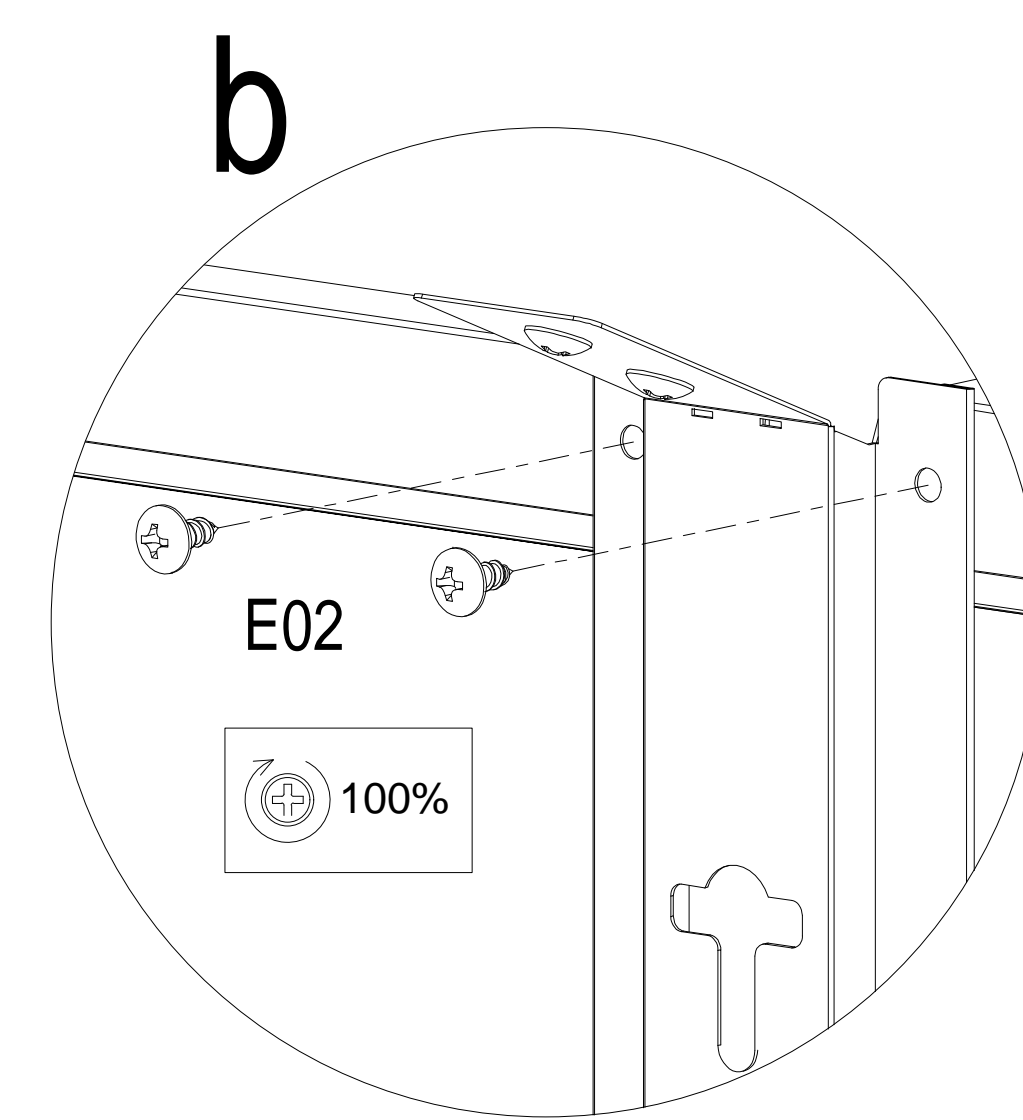
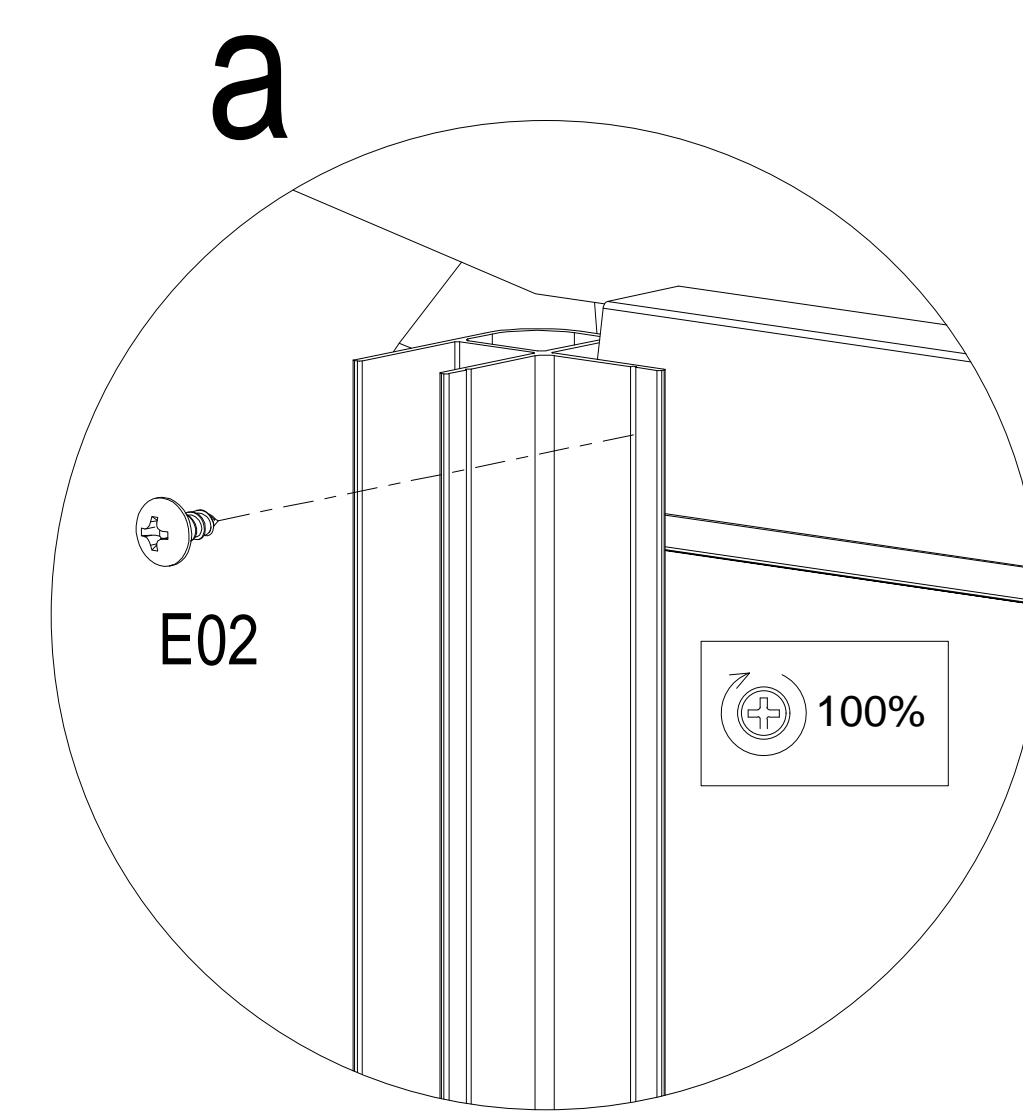
# Internal Side View



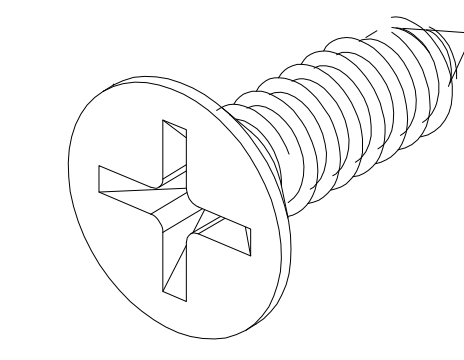


(ST4.2x12)  
E02x8

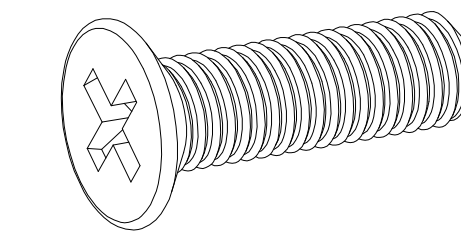
# Internal Side View



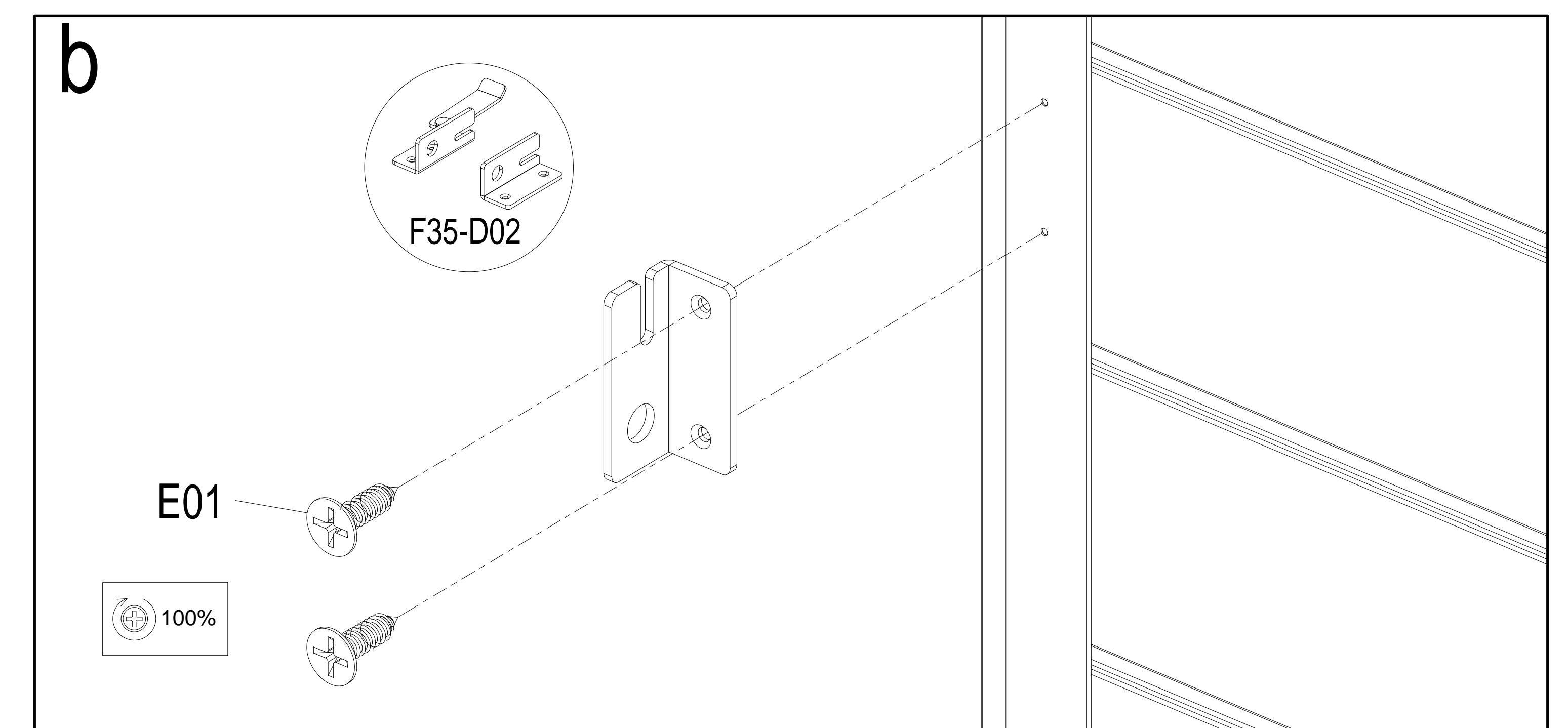
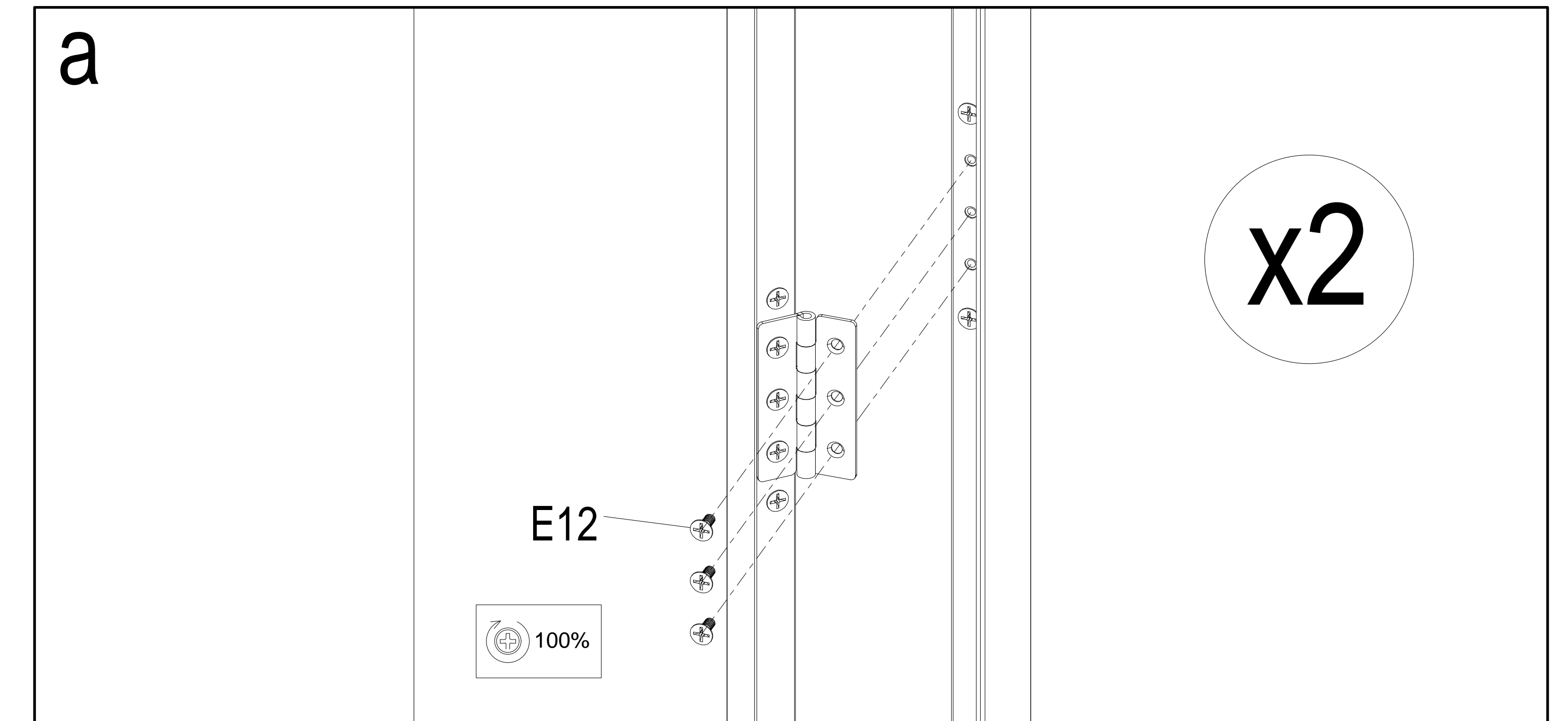
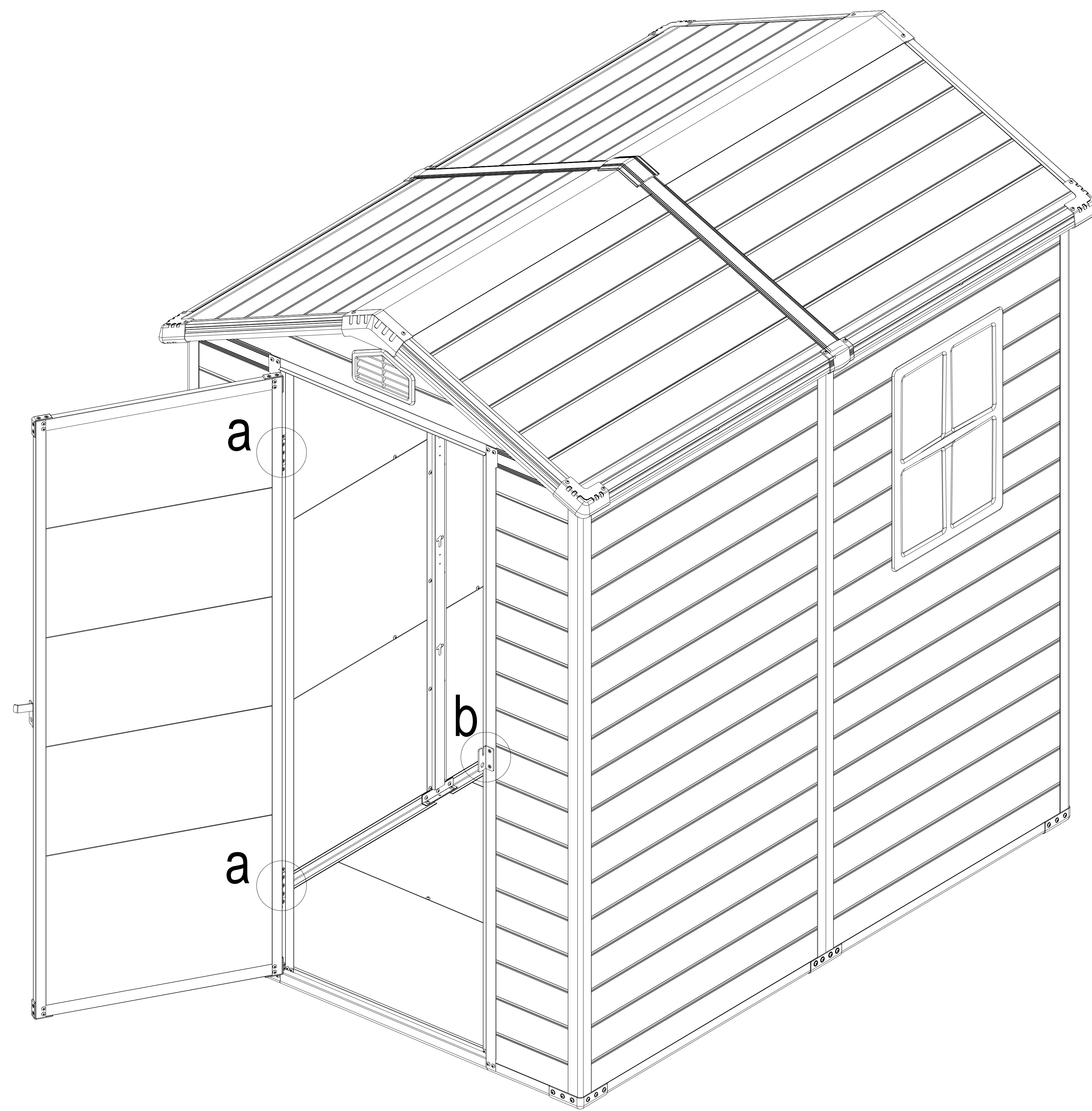




(ST4.2x12)  
E01x2



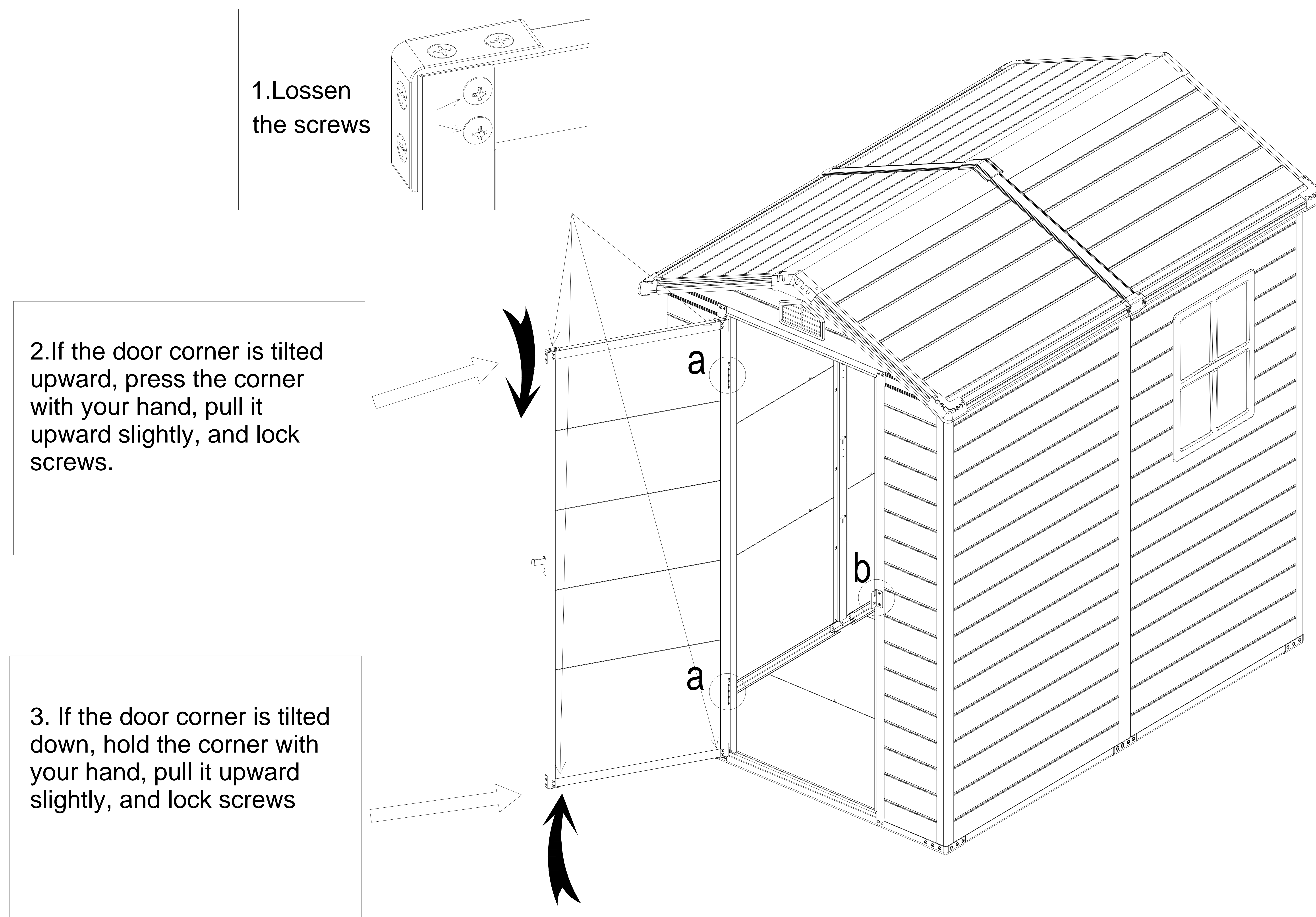
(M4x10)  
E12x6

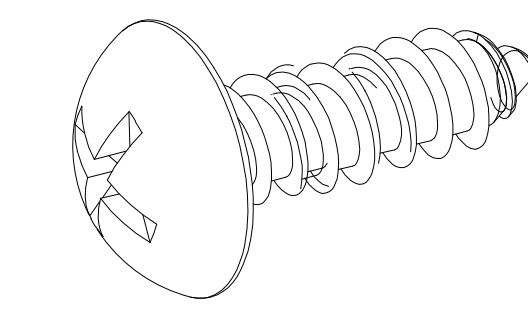




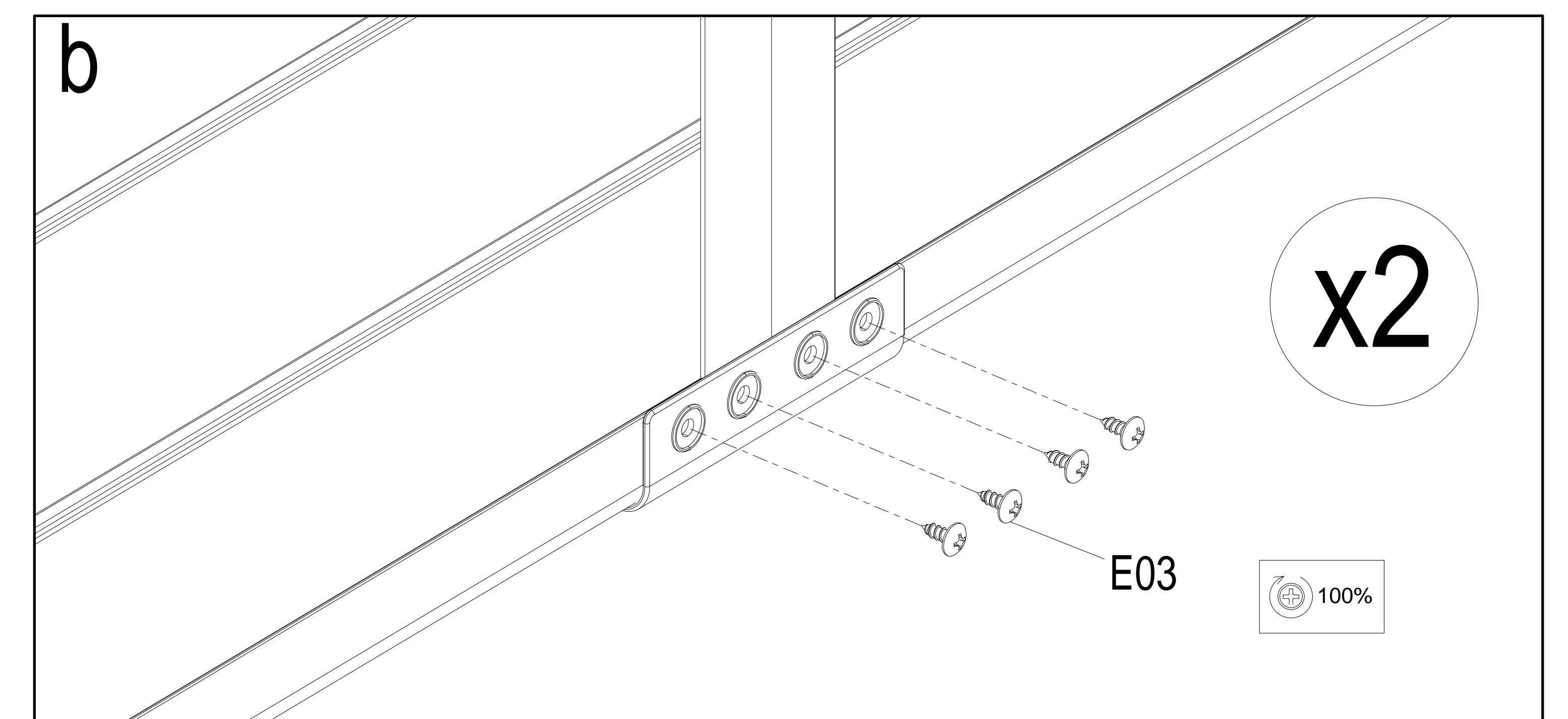
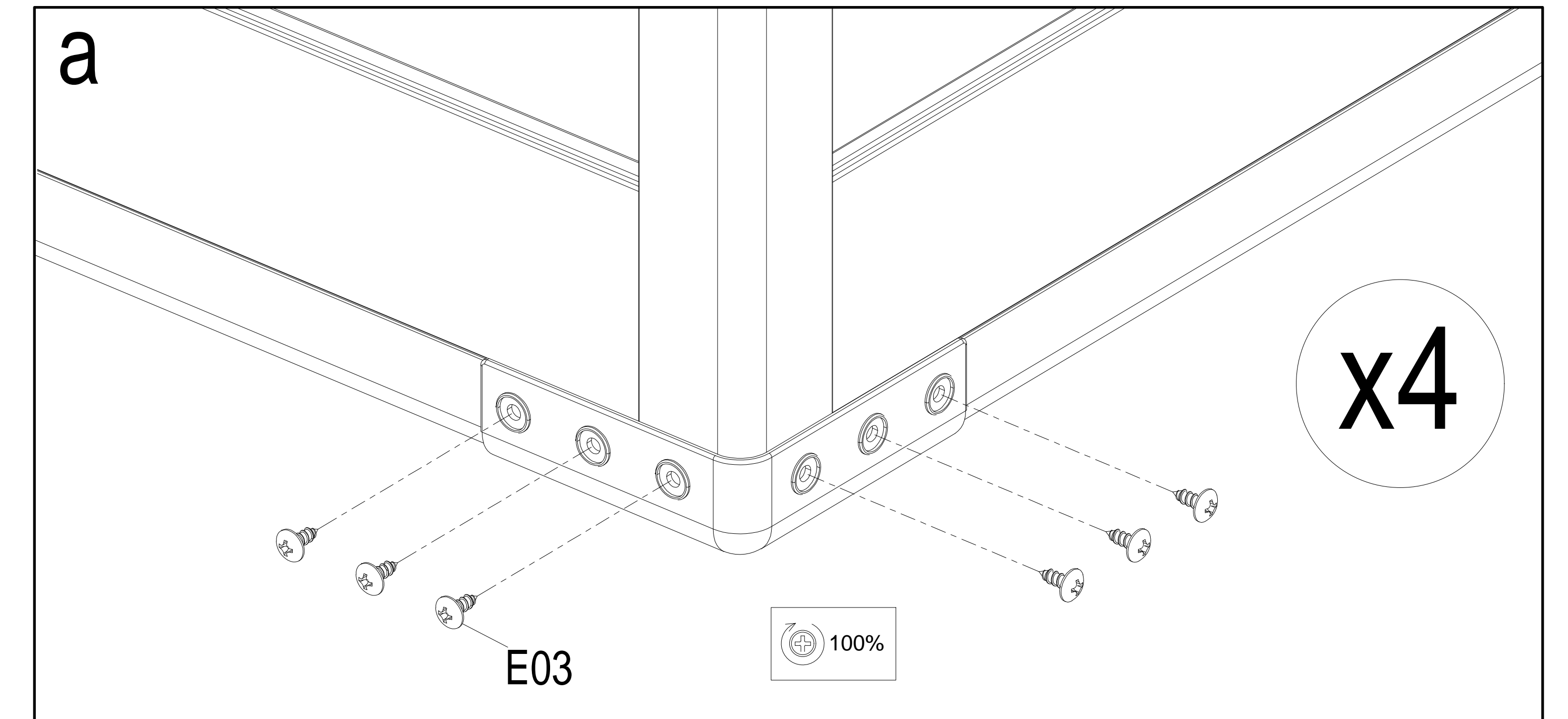
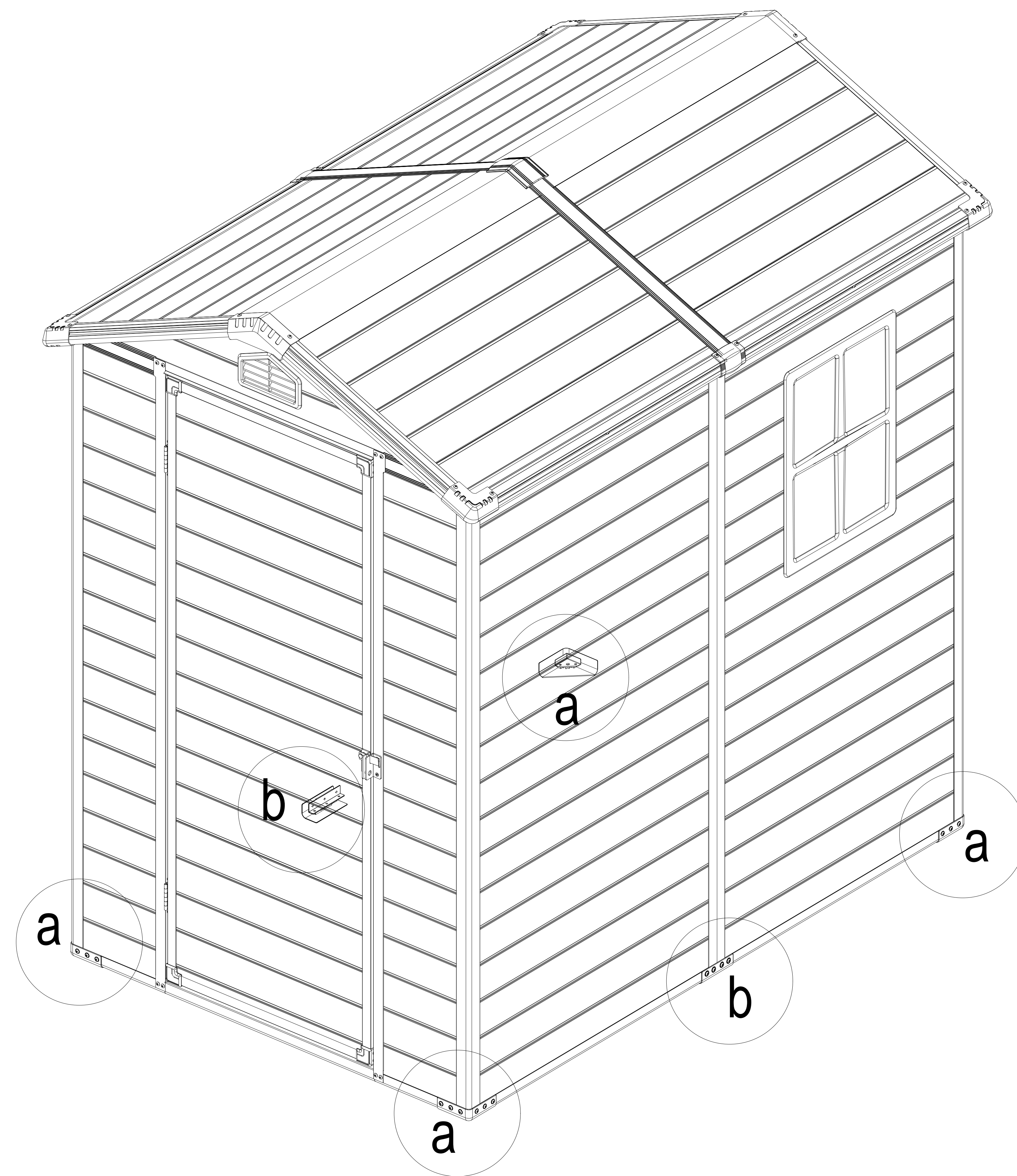
## ATTENTION!!

When the door is not vertical or parallel after installation, please make appropriate adjustments according to the following figure.

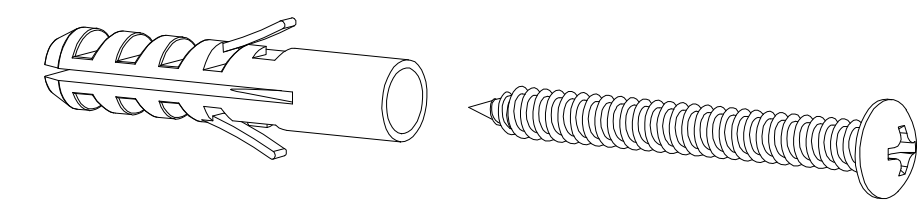




(ST4.8x19)  
E03x32







E04x6

