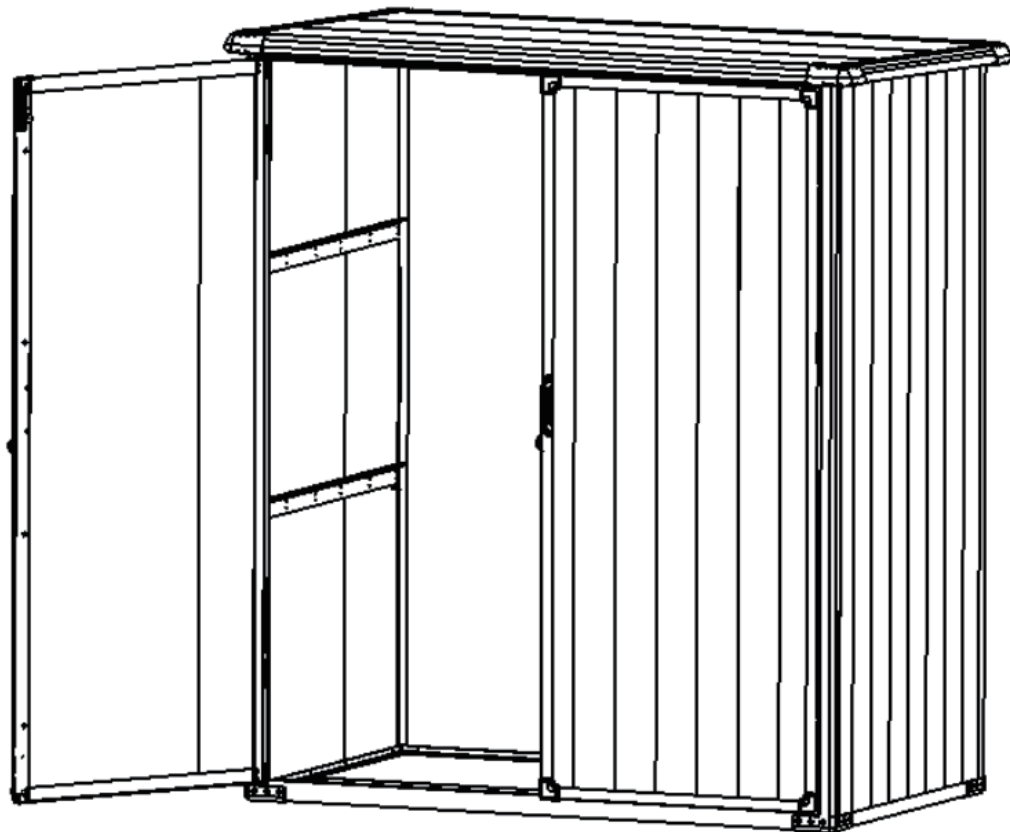


Resin Garden Shed

OWNER'S MANUAL

Instructions for Assembly



SLD-C35

Requires three people and takes 3-4 hours for
Installation. Quick & Easy Assembly

Ridge Reinforced Walls

Available in Various Sizes

BEFORE YOU START

Owner's Manual

Prior to installation, it is important that you contact your local government authority to determine if building approval is required. Study and understand this owner's manual. Important information and helpful tips will make your construction easier and more enjoyable.

Assembly instructions

Instructions are supplied in this manual and contain all appropriate information for your building model. Review all instructions before you begin. During assembly, follow the step sequence carefully for correct results. Please be aware: **this unit takes two people about one full day to complete.**

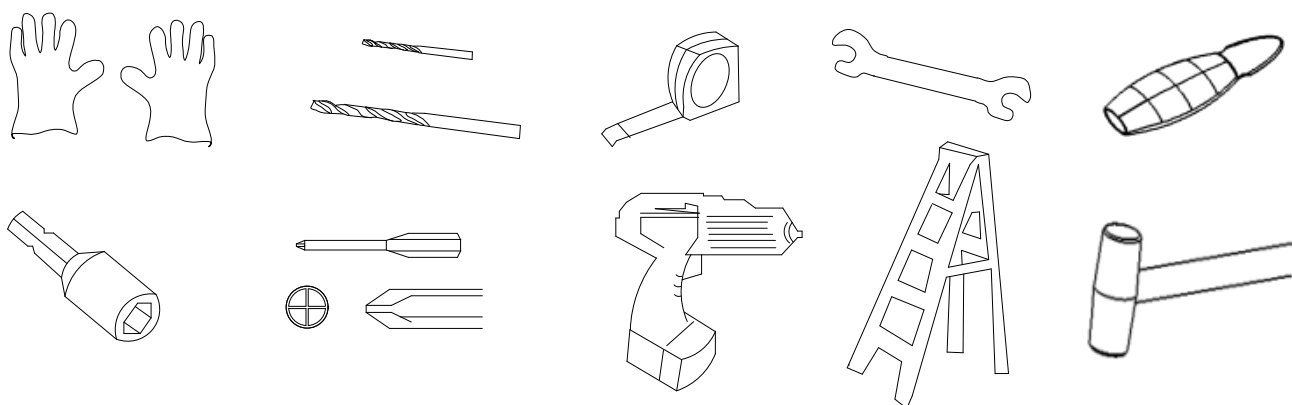
Parts

Check to be sure that you have all the necessary parts for the building.

Separate contents of the carton by the part number while reviewing parts list.

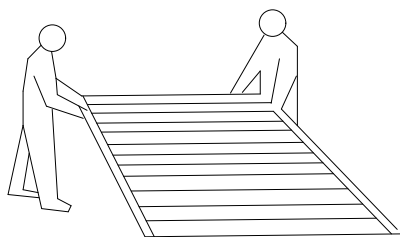
Familiarize yourself with the hardware and fasteners for easier use during construction. These are packaged within the carton. Note that extra fasteners have been supplied for your convenience.

TOOLS MAY REQUIRED



Use heavy duty gloves when handling steel sheets and flashing

PLAN AHEAD



It requires two people a full day to complete installation

Watch the weather:

Please be sure the day you select for installation is dry and calm.

DO NOT attempt to assemble your shed in windy weather because of risk of damage to panels, or personal injury. Be careful of wet or muddy ground.

Teamwork:

Whenever possible, two or more people should work together to assemble the building. One person can position parts or panels while the other is able to handle the fasteners and the tools.

PLAN AHEAD

Site Selection

- Avoid overhanging trees as much as possible as leaves will make regular cleaning necessary and broken branches are a potential hazard.
- Small trees, bushes or fences nearby can be helpful, acting as a wind break.

Site Preparation

The site must be prepared so that the base of the shed is level all round and checking with a spirit level is required.

The base can be constructed by treated timber or concrete, in order to stop the moisture getting into the shed. **The shed is not designed to be built onto lawn directly.** Also the ground will get muddy during rainy days.

If a concrete pad is made, it is important that this slopes towards the edges to prevent water ingress.

Time must be allowed for any concrete or cement to dry before building the shed on top.

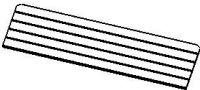

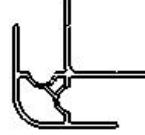
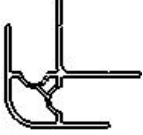
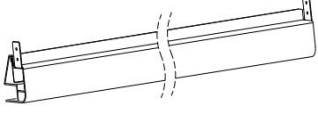
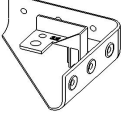
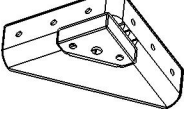
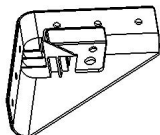
Bases can also be constructed from bricks, blocks, or mounted on a concrete pad.

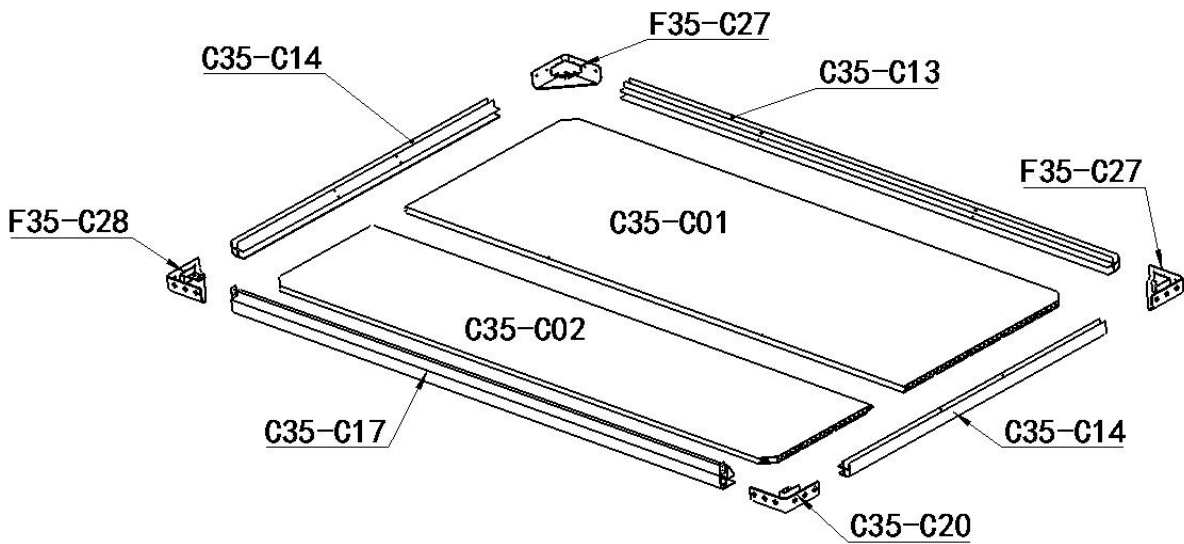
The bricks or blocks should be cemented onto firm and level concrete footings and the greenhouse frame drilled and screwed to the base.

IMPORTANT NOTES:


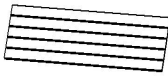


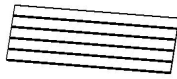

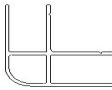
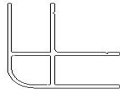
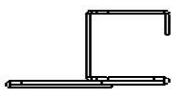
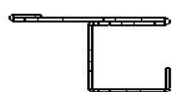
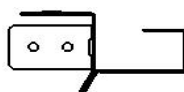
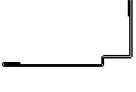
- Find someone to help you: it is much easier with someone to hold parts, pass tools ect. Also some steps require two people to lift structures together. This is not very heavy work so would suit most able-bodied people.
- Allow plenty of time: rushing often causes errors and the re-doing of incorrect assemblies. If you have never built a shed before, it can take most of a day to carefully complete the construction.
- Have the right tools to hand.
- Safety clothing as recommended in the 'Tools' section.
- Ideally lay out the parts and check that all are present before commencing construction. Lay on cloths or plastic sheets if there is any risk of scratching the parts.
- Tighten all nuts carefully, being sure not to miss any. Check the frame is square and using a spirit level to check that it is upright.

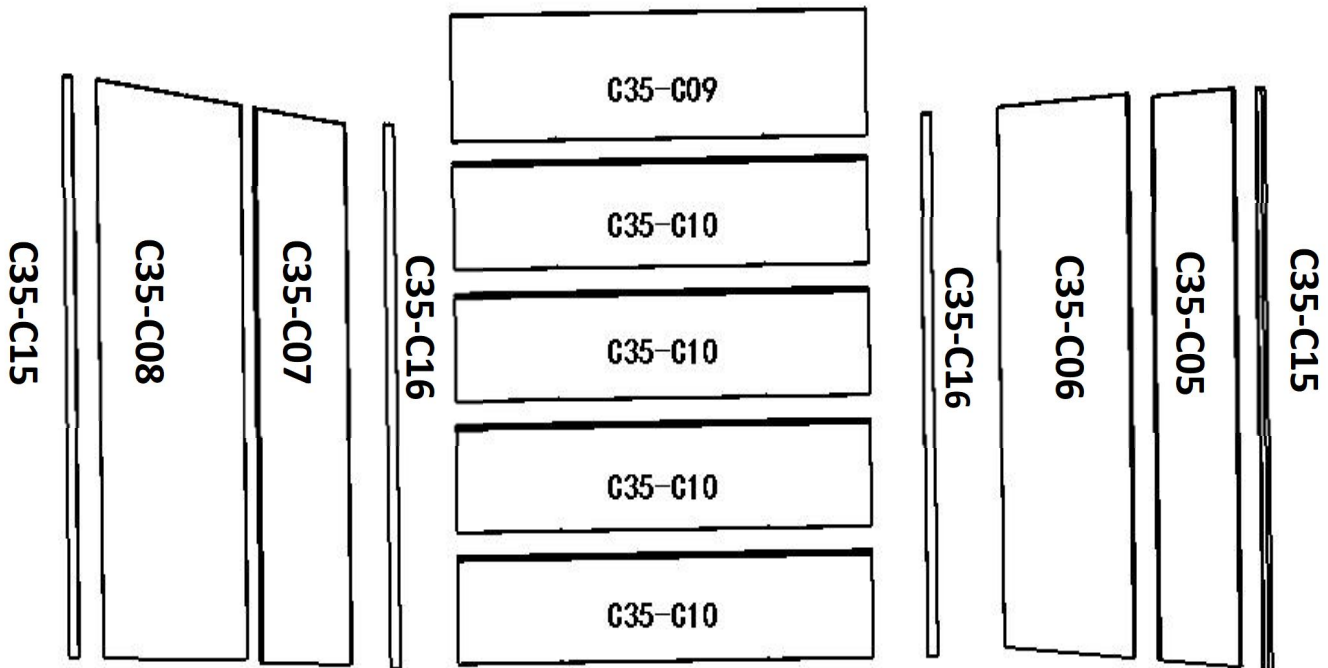
BASEMENT COMPONENTS

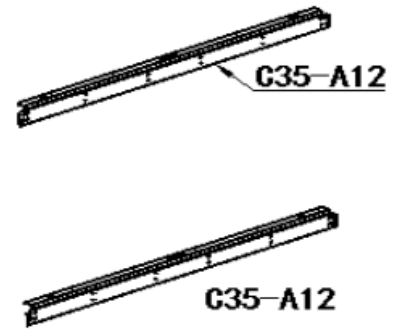
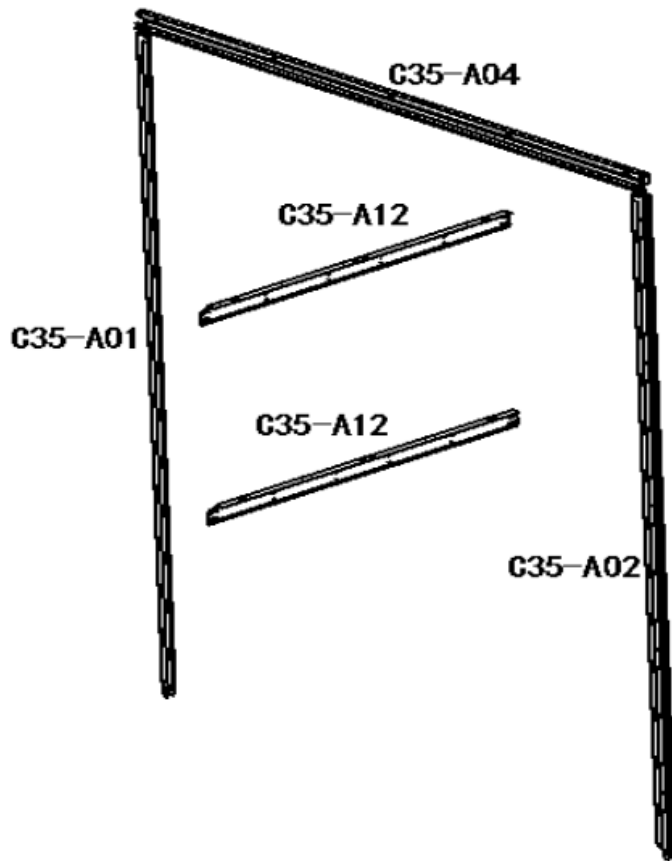
<p>C35-C01</p> 	<p>C35-C02</p> 	<p>C35-C13</p> 	<p>C35-C14</p> 
<p>492*1398*14mm 1PC</p>	<p>310*1398*14mm 1PC</p>	<p>43*43*1370mm 1PC</p>	<p>43*43*765mm 2PCS</p>
<p>C35-C17</p> 	<p>C35-C20</p> 	<p>F35-C27</p> 	<p>F35-C28</p> 
<p>43*45*1370mm 1PC</p>	<p>101*101*36mm 1PC</p>	<p>101*101*36mm 2PCS</p>	<p>101*101*36mm 1PC</p>





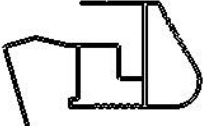
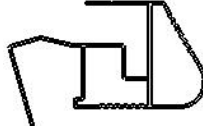
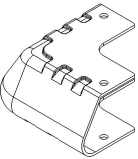

WALL COMPONENTS

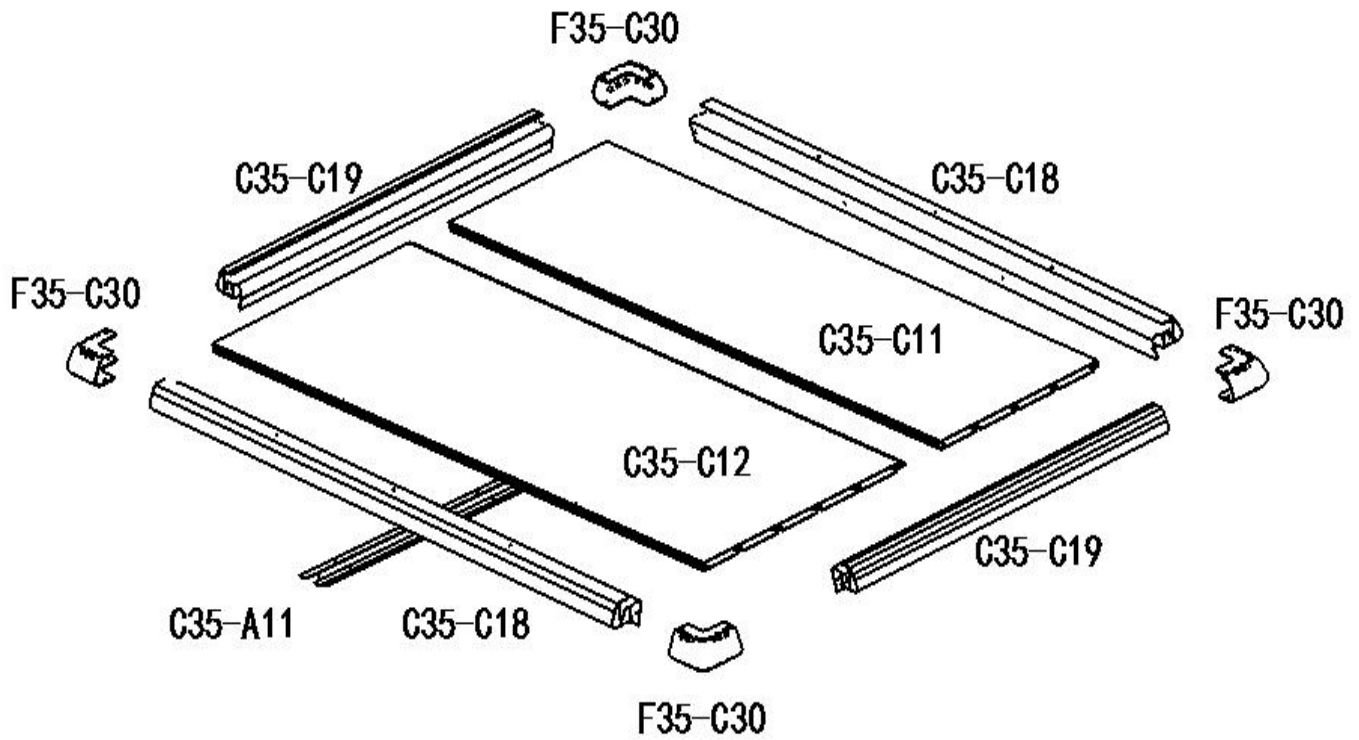
C35-C05 	C35-C06 	C35-C07 	C35-C08 
310*1683*14mm 1PC	492*1640*14mm 1PC	310*1615*14mm 1PC	492*1683*14mm 1PC
C35-C09 	C35-C10 	C35-C15 	C35-C16 
367*1399*14mm 1PC	310*1399*14mm 4PCS	33*33*1690mm 2PCS	33*33*1579mm 2PCS
C35-A01 	C35-A02 	C35-A04 	C35-A12 
31*18*1669mm 1PC	31*18*1669mm 1PC	29*53*1419mm 1PC	24*46*791mm 4PCS





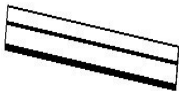
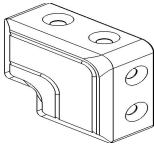
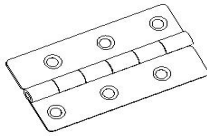
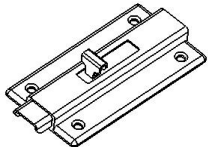
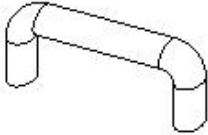
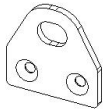
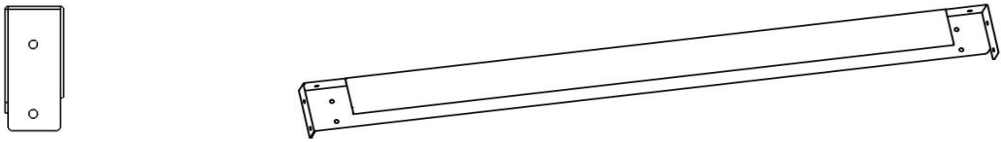
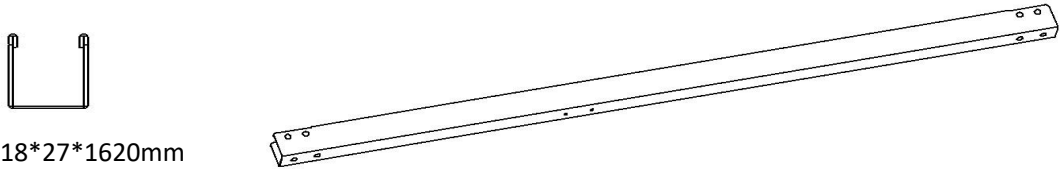
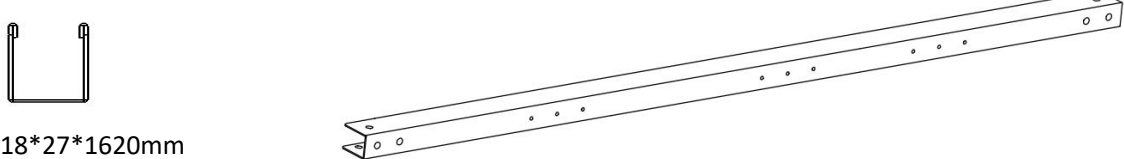
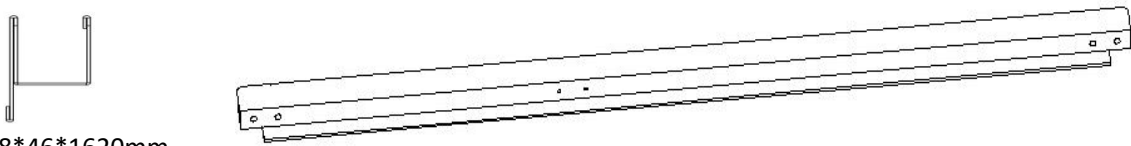
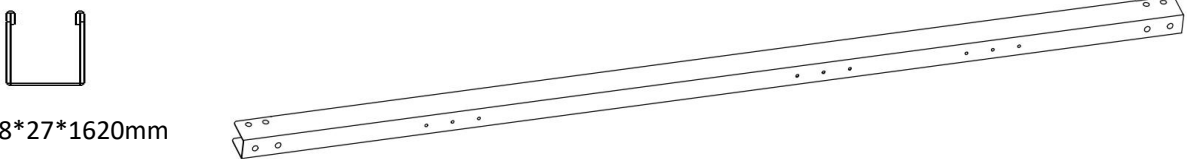


ROOF COMPONENTS

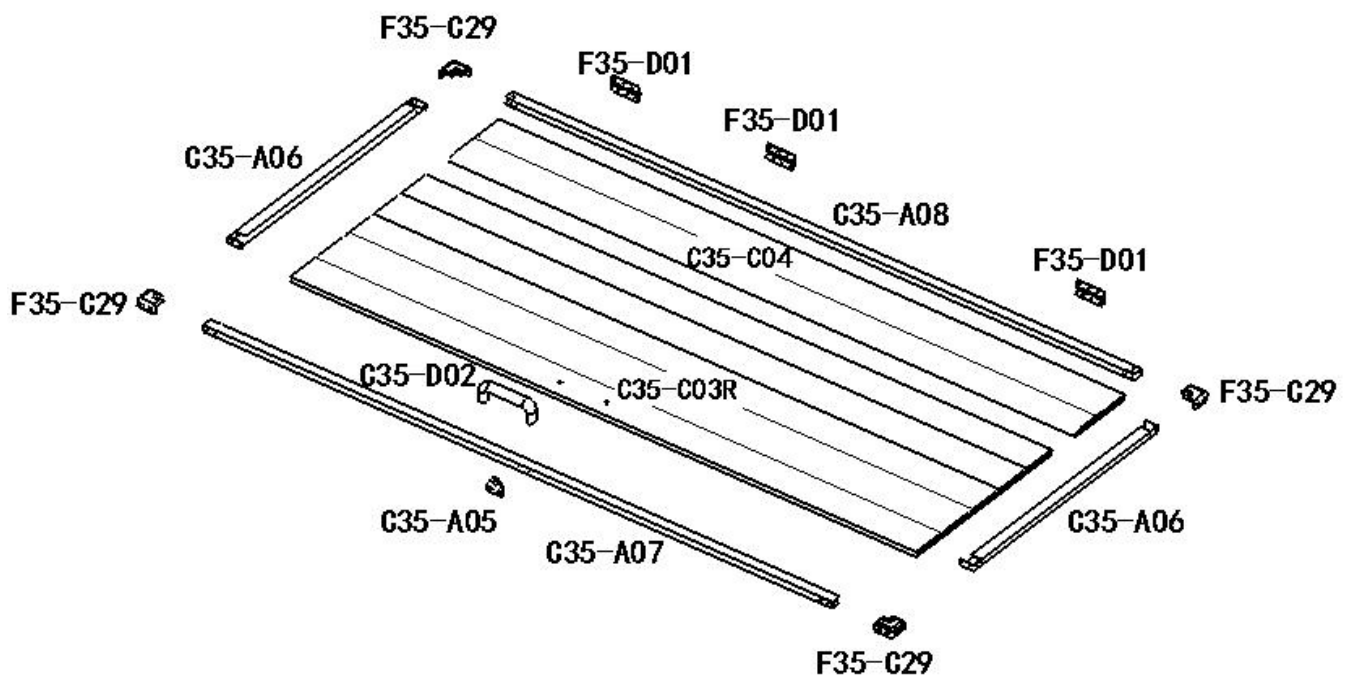
<p>C35-C11</p> 	<p>C35-C12</p> 	<p>C35-C18</p> 	<p>C35-C19</p> 
<p>385*1480*14mm 1PCS</p>	<p>510*1480*14mm 1PC</p>	<p>75*45*1390mm 2PCS</p>	<p>75*45*795mm 2PCS</p>
<p>F35-C30</p> 	<p>C35-A11</p> 		
<p>100*100*45mm 4PCS</p>	<p>860*66*16 1PC</p>		



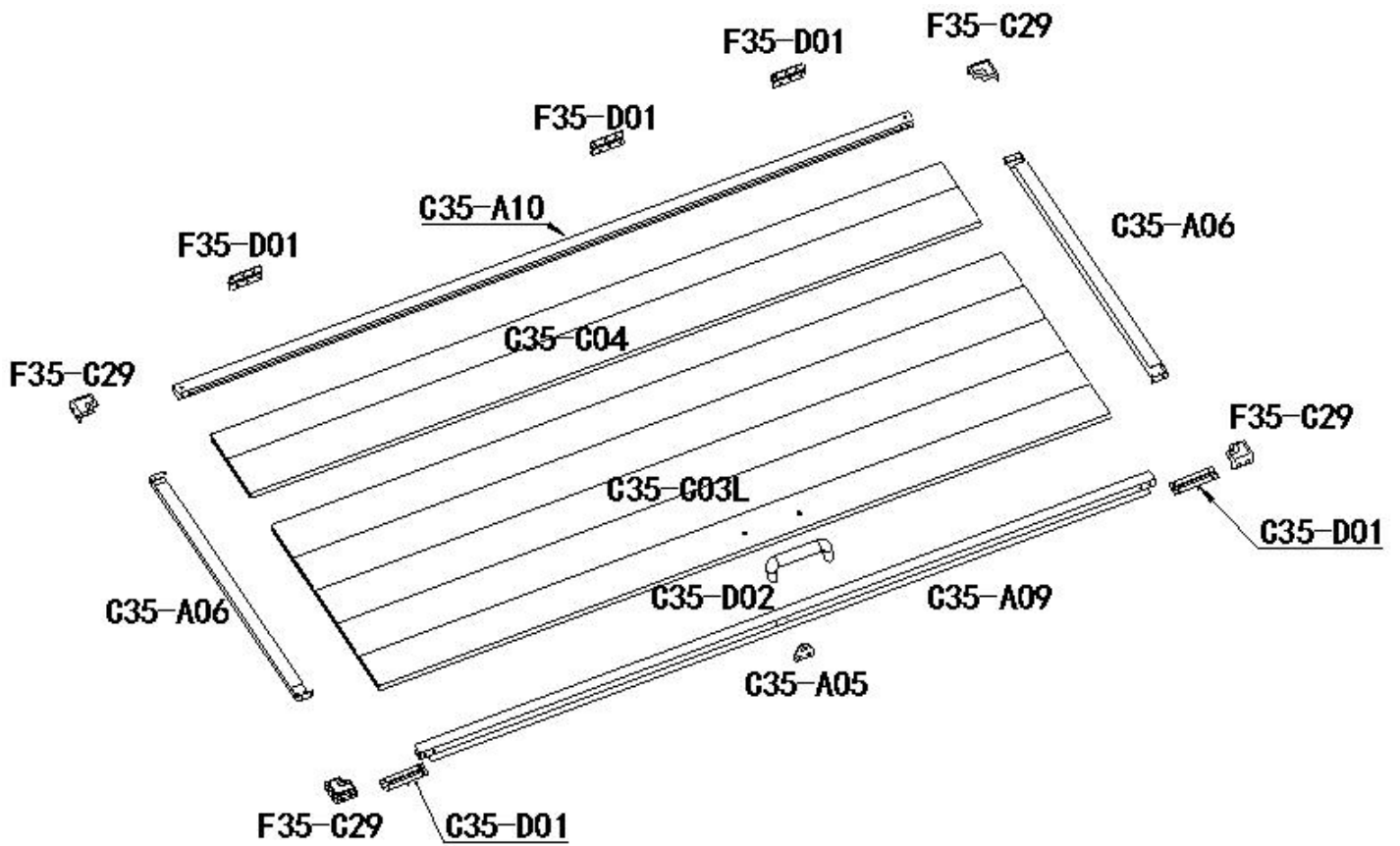
DOOR COMPONENTS

<p>C35-C03L</p> 	<p>C35-C03R</p> 	<p>C35-C04</p> 	<p>F35-C29</p> 
<p>492*1616*14mm 1PC</p>	<p>183*1616*14mm 1PC</p>	<p>183*1616*14mm 2PCS</p>	<p>47*47*21mm 4PCS</p>
<p>F35-D01</p> 	<p>C35-D01</p> 	<p>C35-D02</p> 	<p>C35-A05</p> 
<p>70*40mm 6PCS</p>	<p>45*23*97mm 2PCS</p>	<p>55*18*138mm 2PCS</p>	<p>39*40*3.0mm 2PCS</p>
<p>C35-A06</p>  <p>16.6*35.8*669mm 1PC</p>			
<p>C35-A07</p>  <p>18*27*1620mm 1PC</p>			
<p>C35-A08</p>  <p>18*27*1620mm 1PC</p>			
<p>C35-A09</p>  <p>18*46*1620mm 1PC</p>			
<p>C35-A10</p>  <p>18*27*1620mm 1PC</p>			

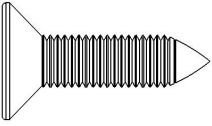
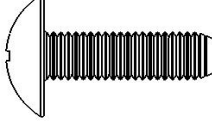
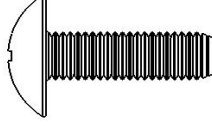
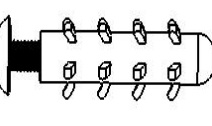
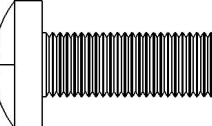
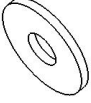
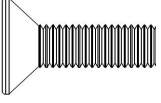
RIGHT DOOR



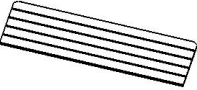

LEFT DOOR

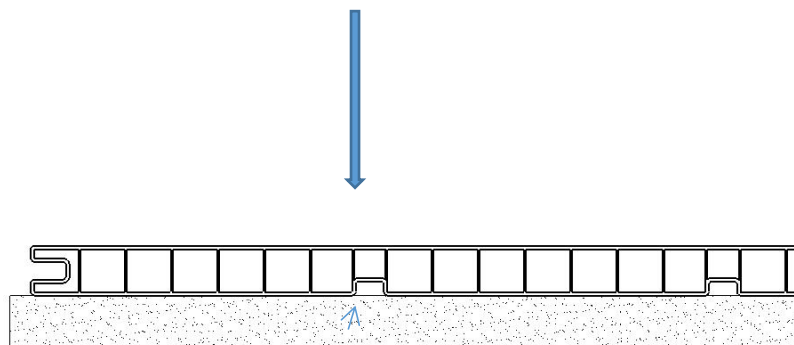
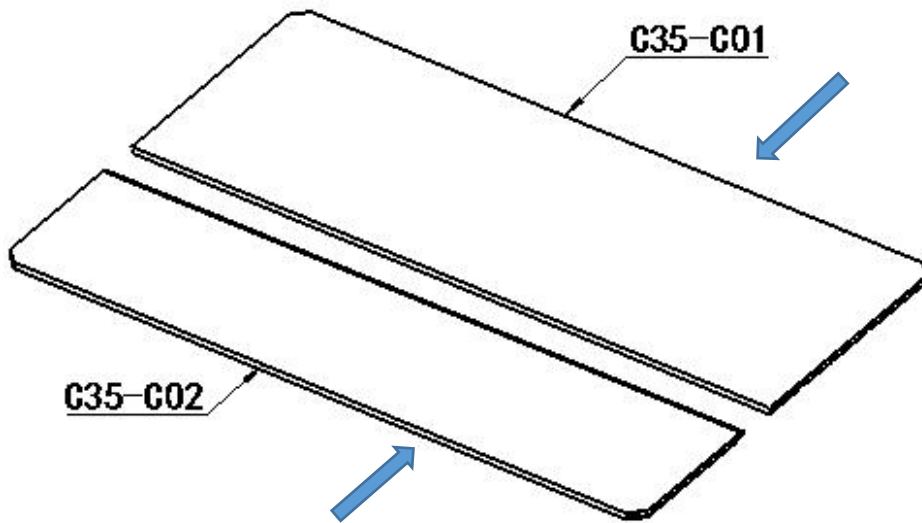


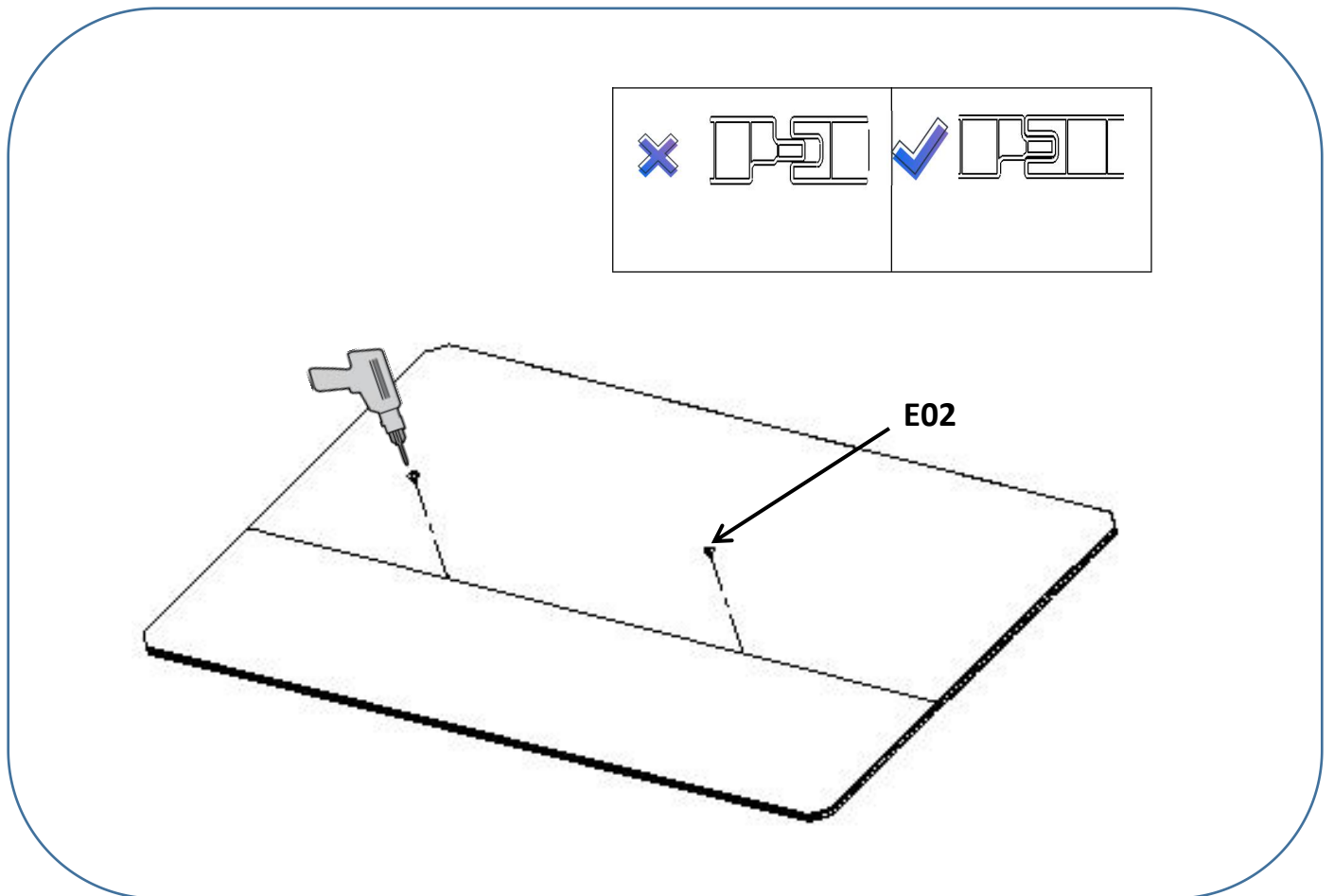
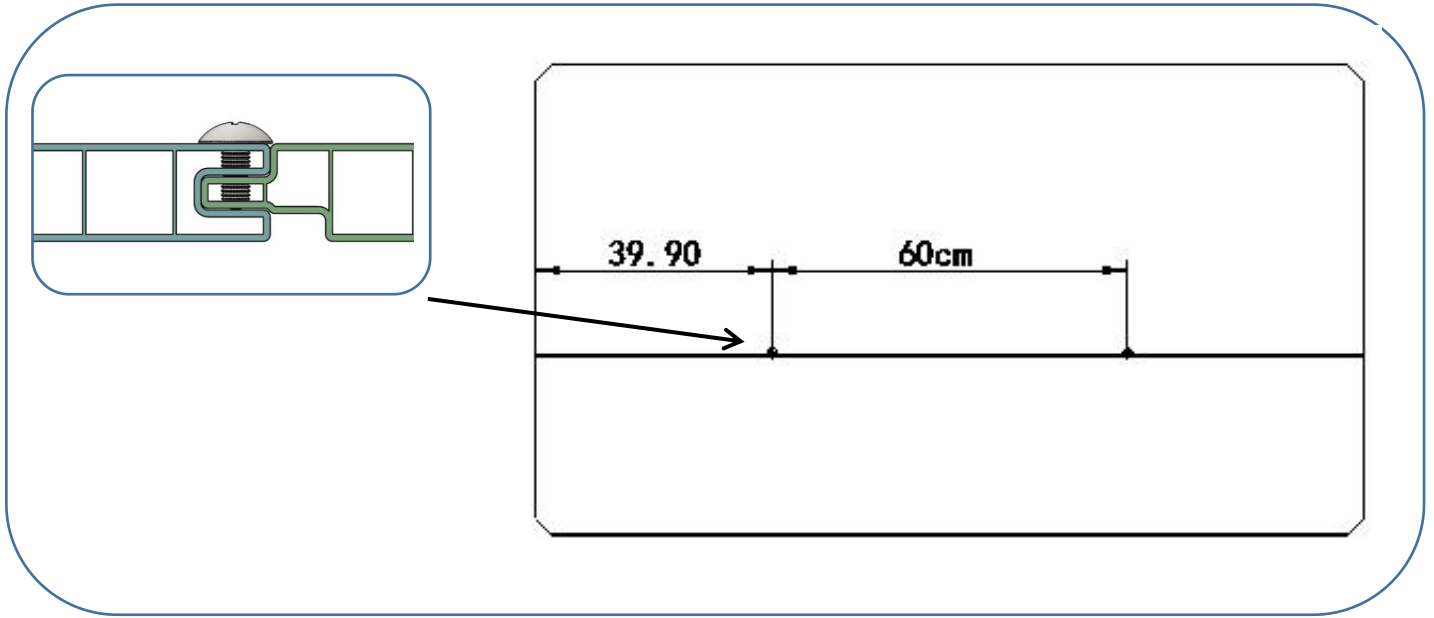
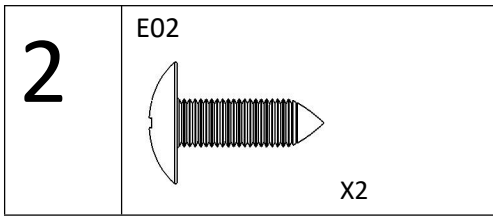
SCREWS COMPONENTS

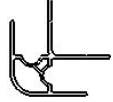
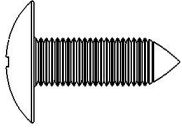
<p>E01</p> 	<p>E02</p> 	<p>E03</p> 	<p>E04</p> 	<p>E05</p> 
<p>4.2*12mm 36PCS</p>	<p>4.2*12mm 176PCS</p>	<p>4.8*19mm 24PCS</p>	<p>5.5*50mm 4PCS</p>	<p>M8*25mm 4PCS</p>
<p>E06</p> 	<p>E12</p> 			
<p>∅ 24* ∅ 8.4*1.5 4PCS</p>	<p>M4*12mm 36PCS</p>			

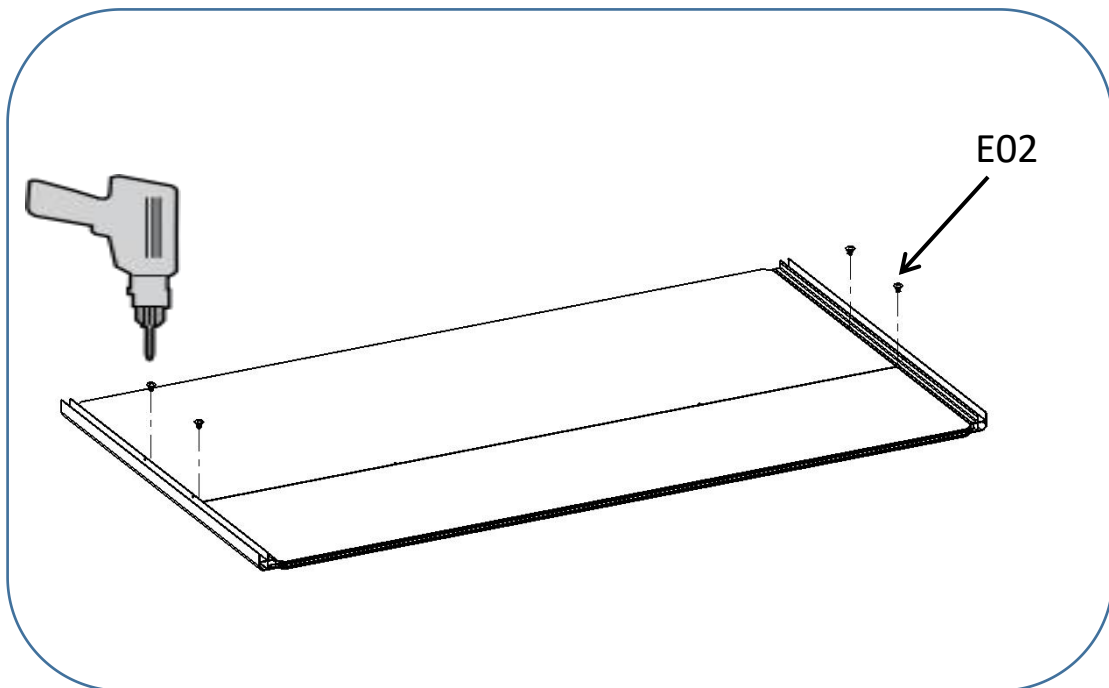
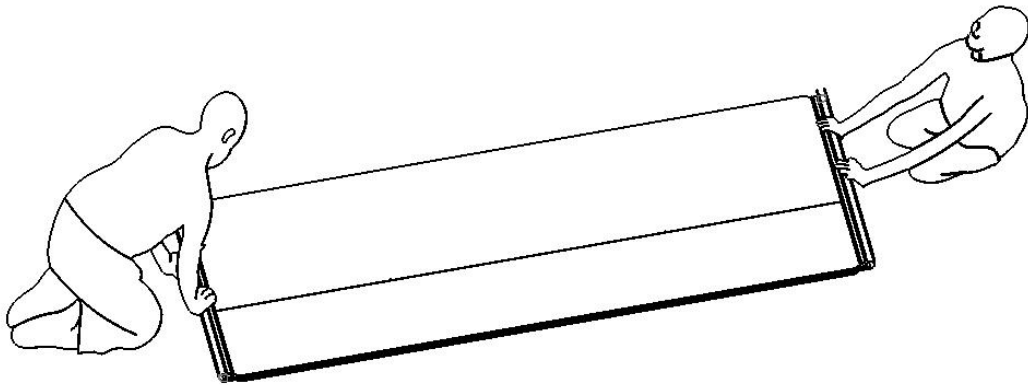
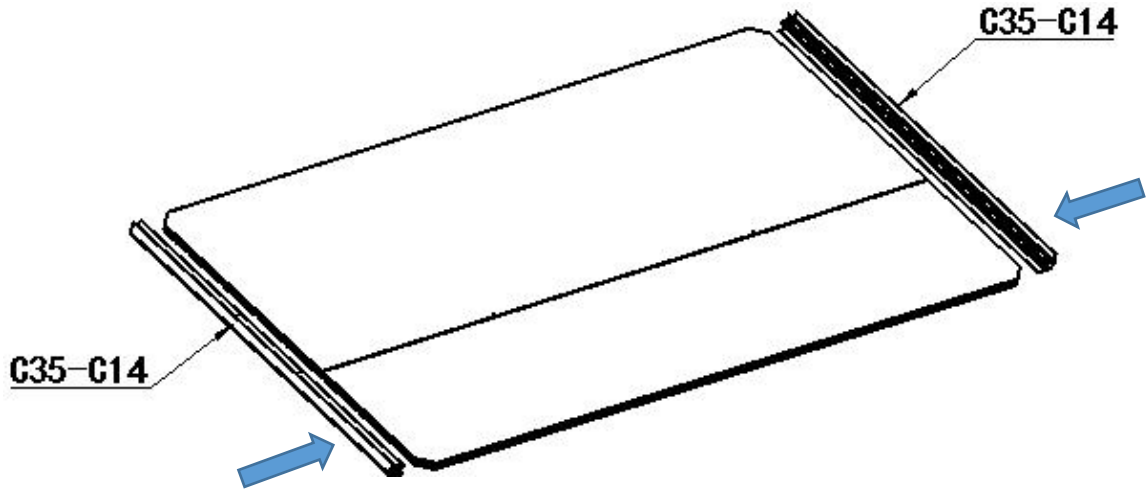
ASSEMBLY

1 BASEMENT	C35-C01  X1	C35-C02  X1	
----------------------	---	---	--

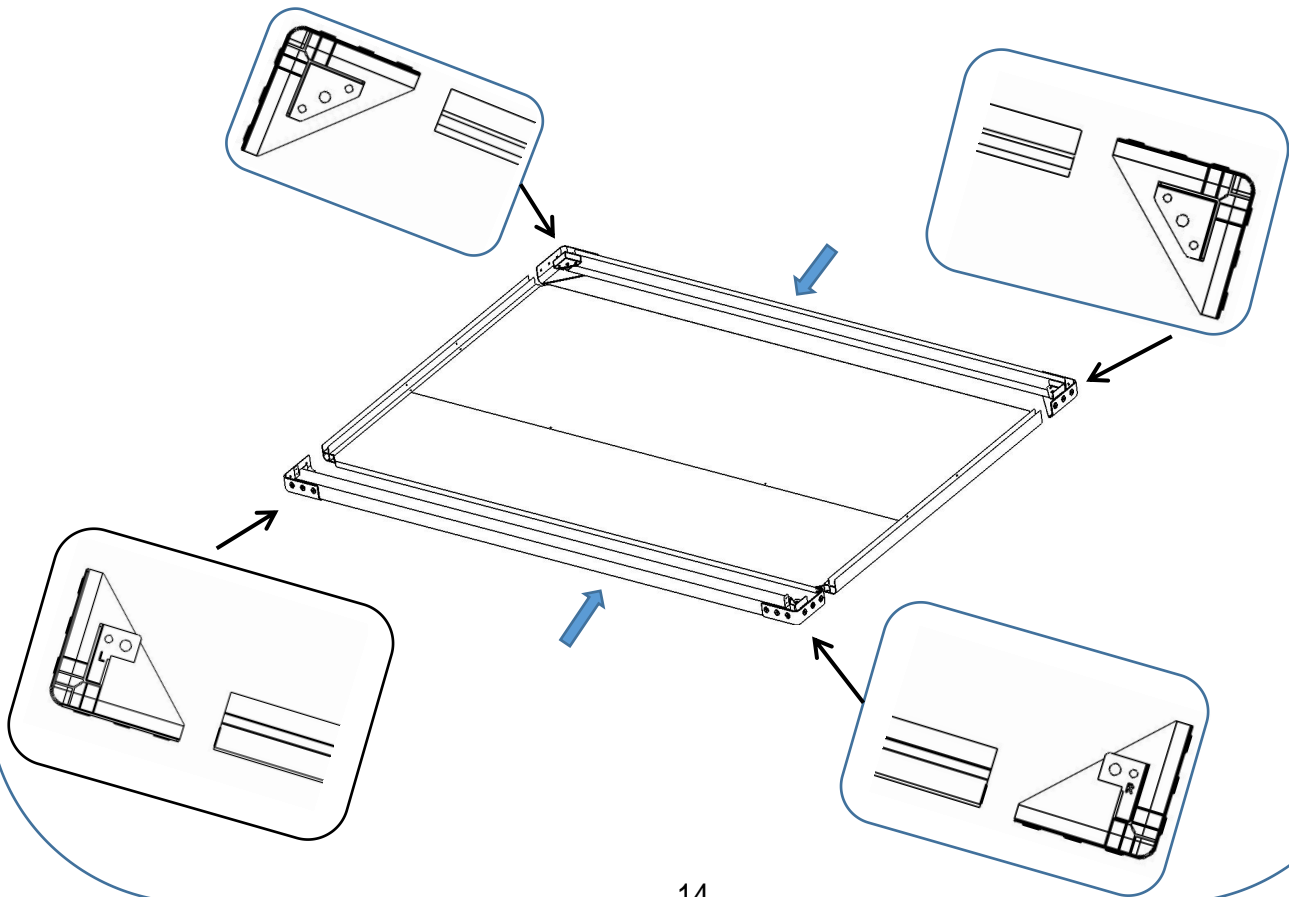
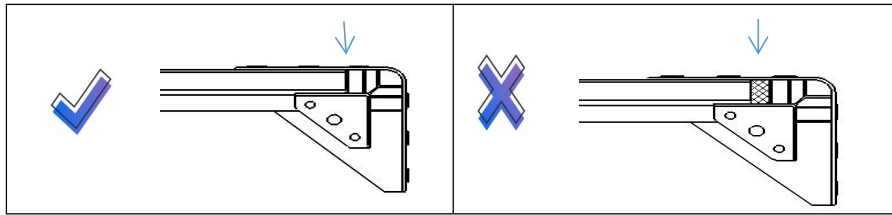
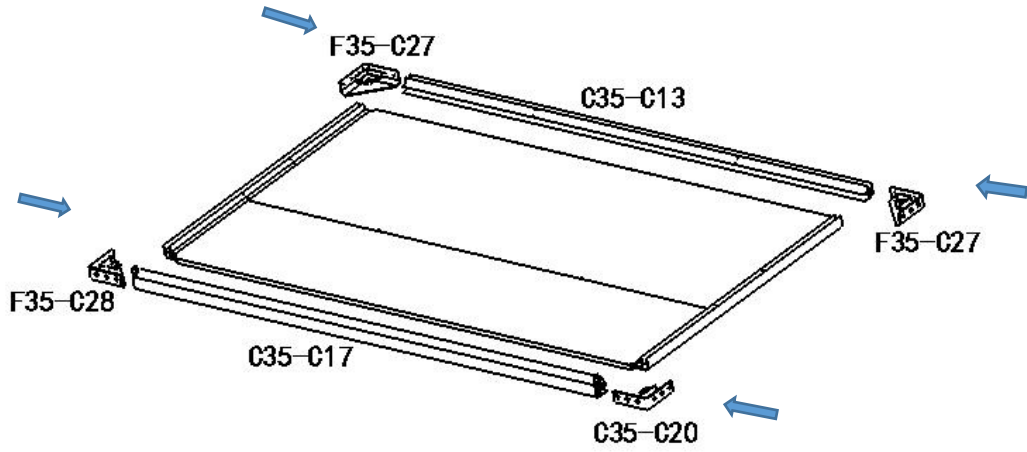


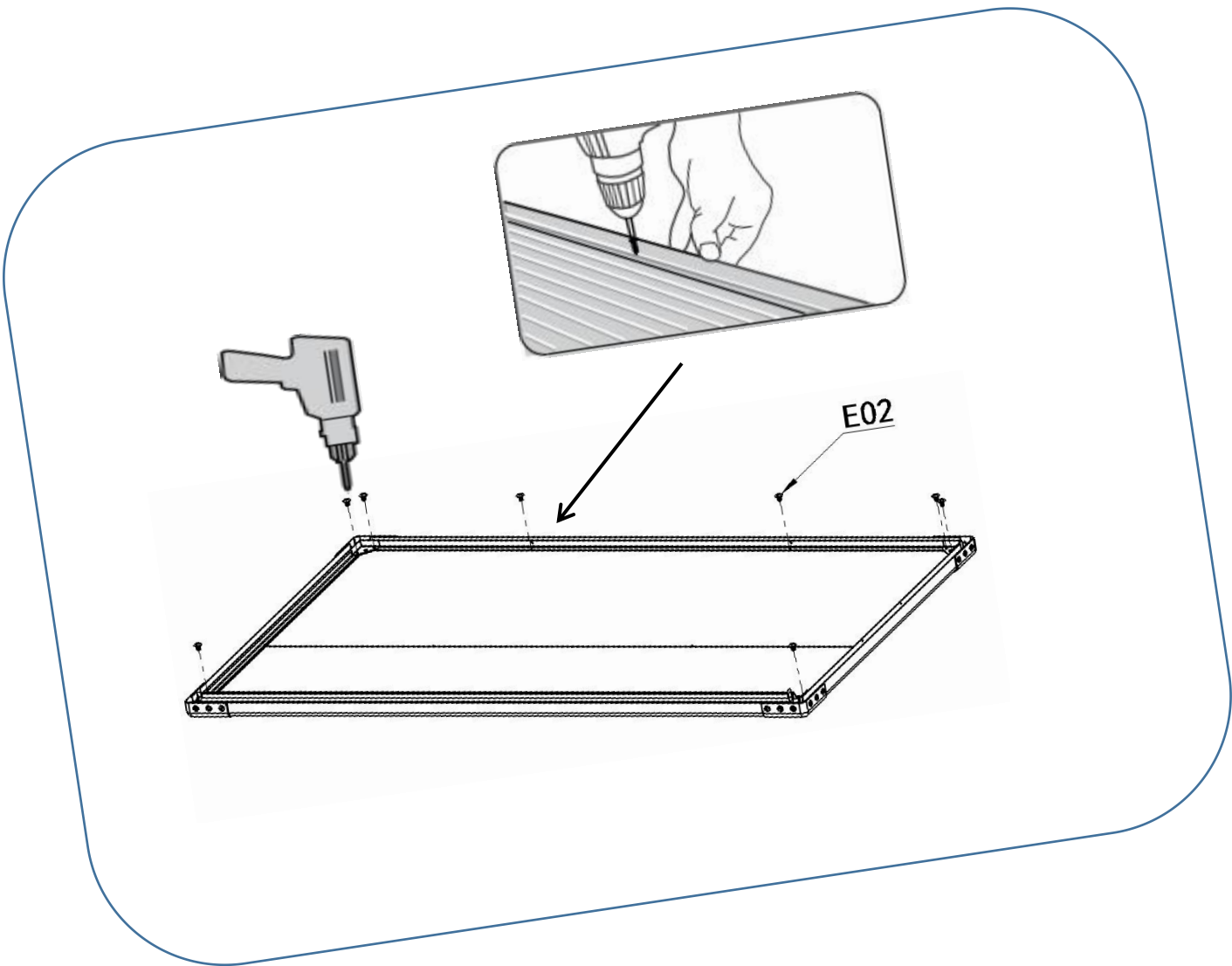


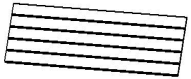

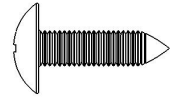
3	C35-C14  X2	E02  X4
----------	--	--

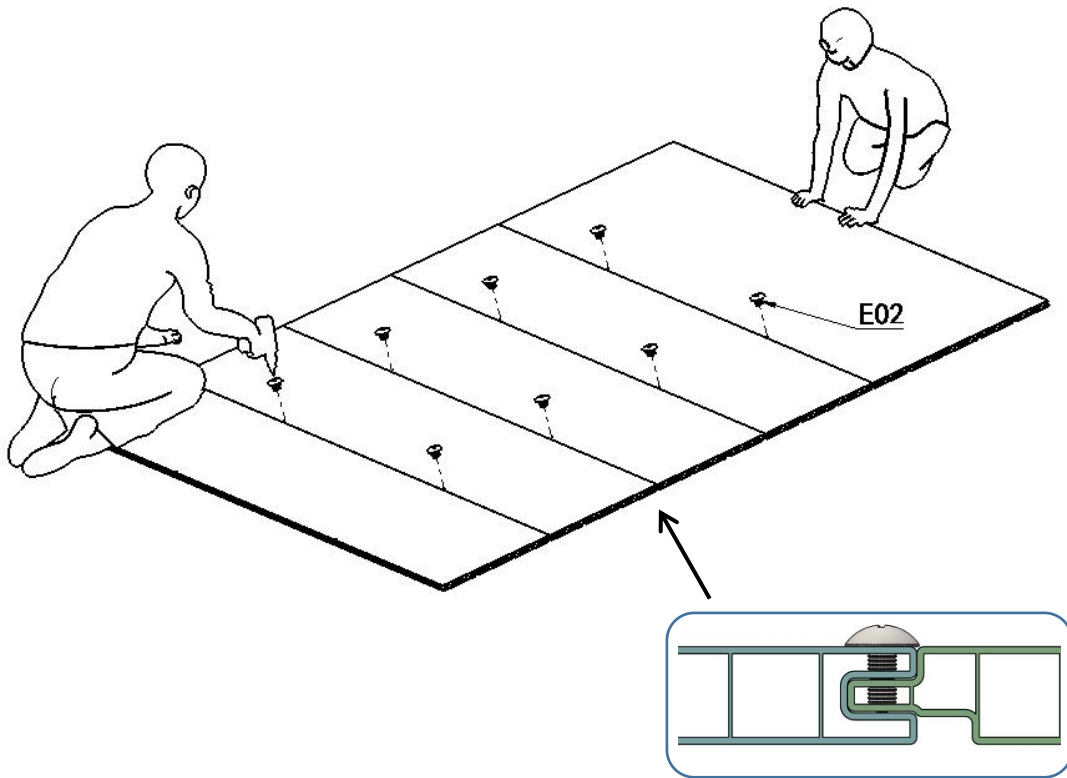
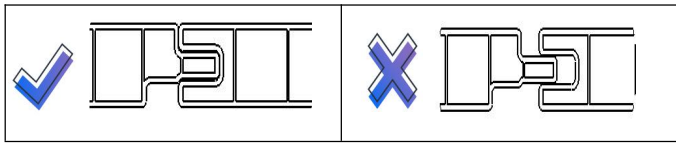
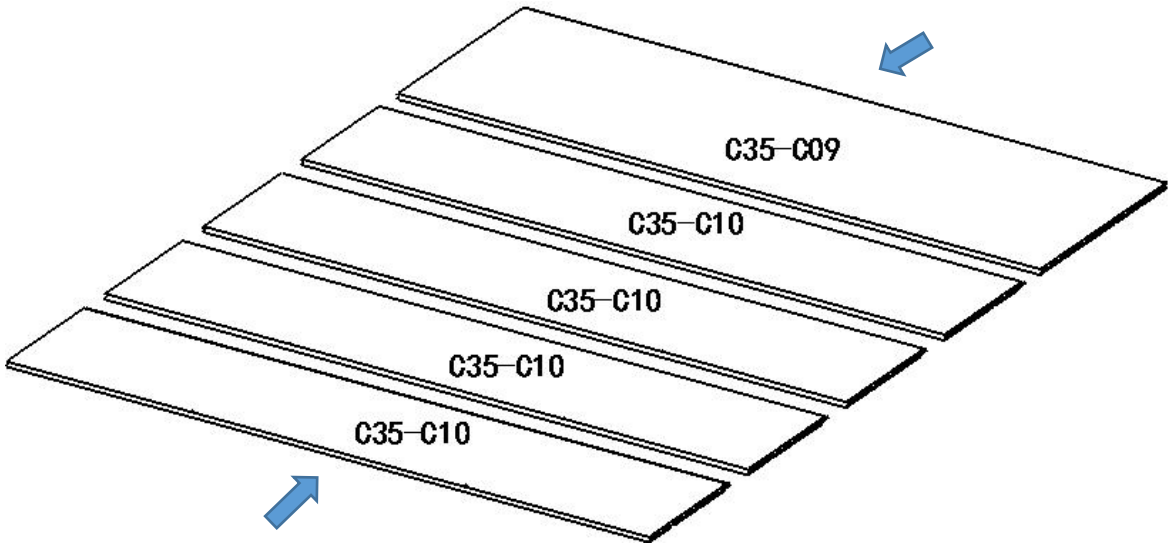



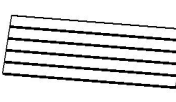

4	C35-C17	F35-C28	C35-C20	F35-C27	C35-C13	E02
	X1	X1	X1	X2	X1	X8

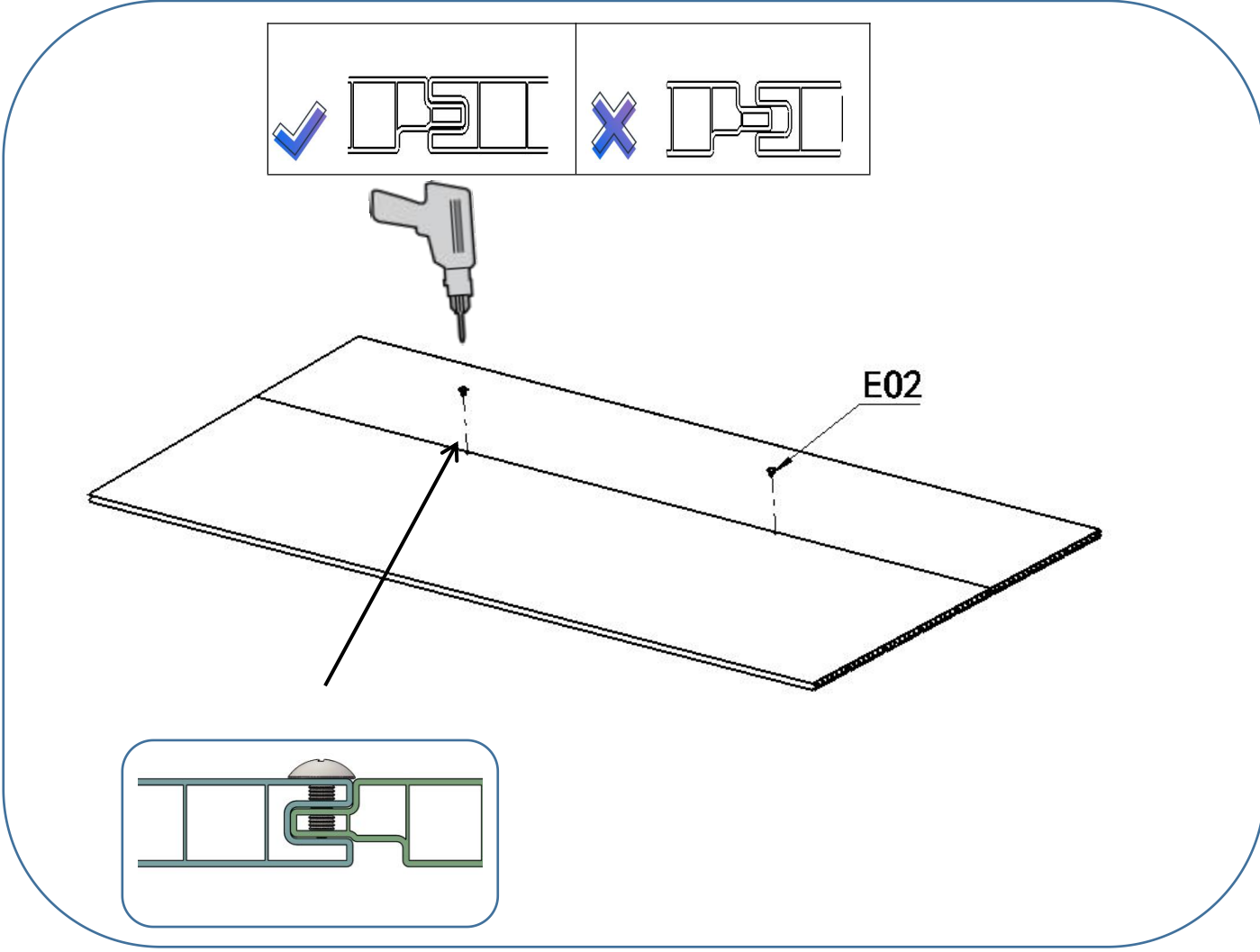
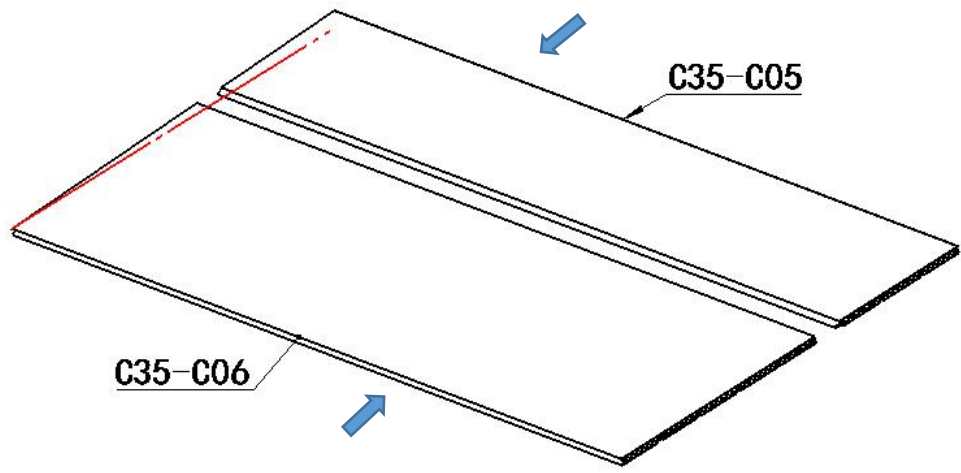




5 BACK WALL	C35-C09	C35-C10	E02
	 X1	 X4	 X8



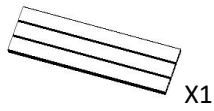
<h1>6</h1> <p>RIGHT WALL</p>	<p>C35-C05</p>  <p>X1</p>	<p>C35-C06</p>  <p>X1</p>	<p>E02</p>  <p>X2</p>
------------------------------	--	--	---



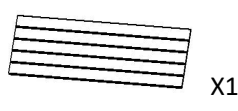
7

LEFT WALL

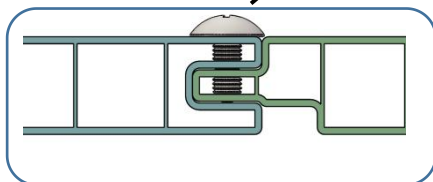
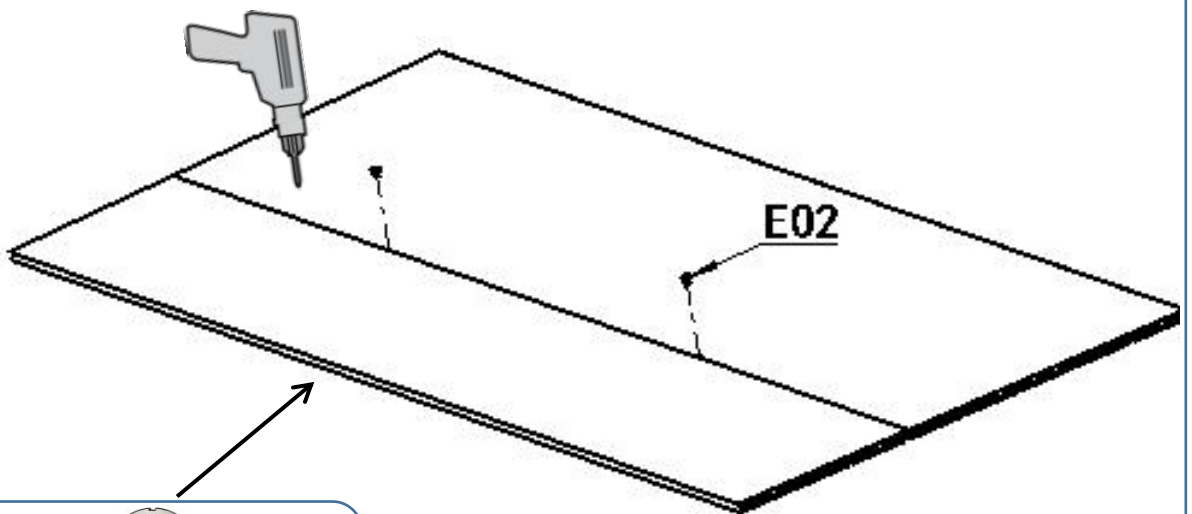
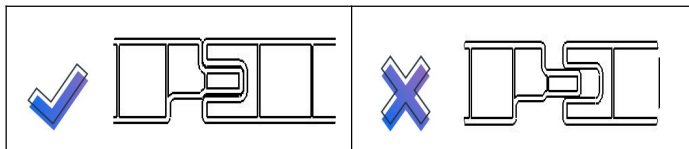
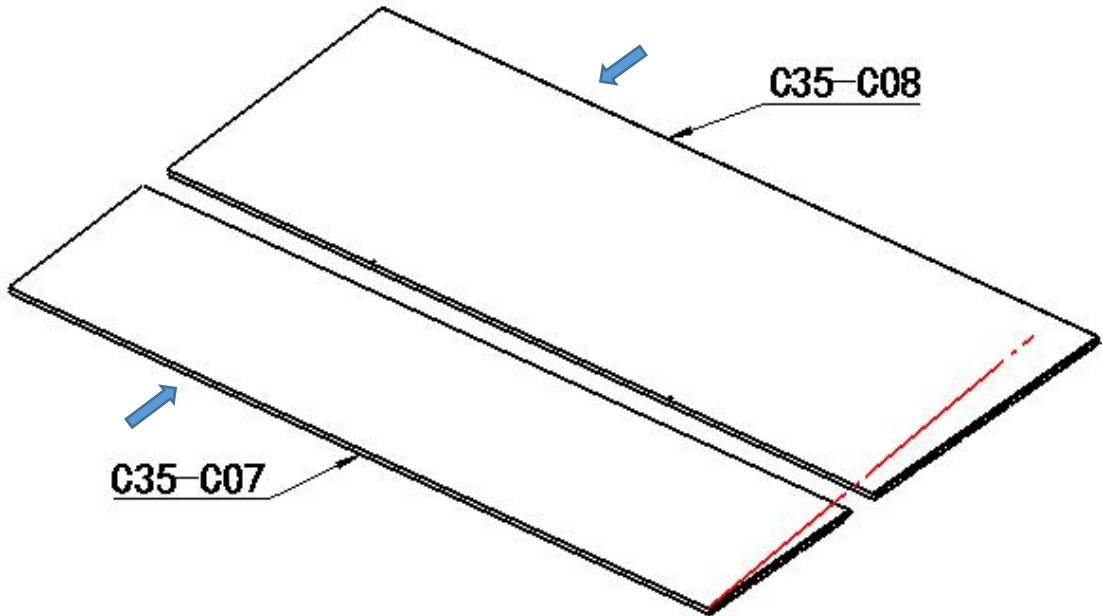
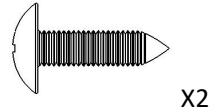
C35-C07



C35-C08



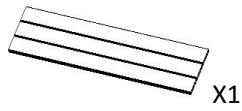
E02



8

ROOF

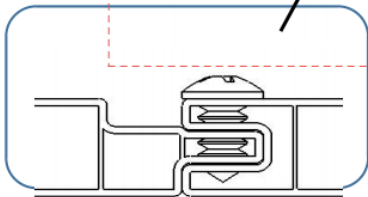
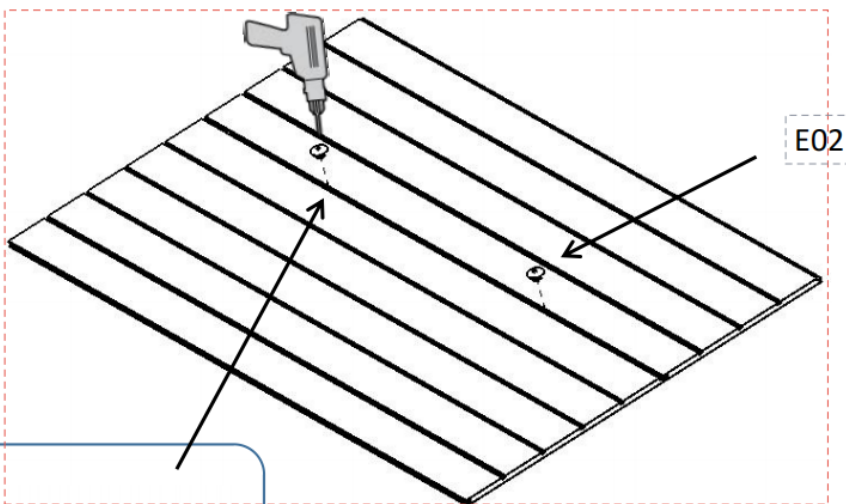
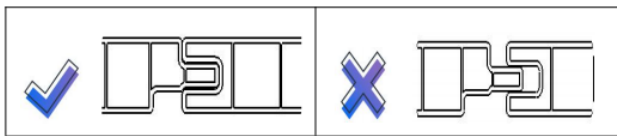
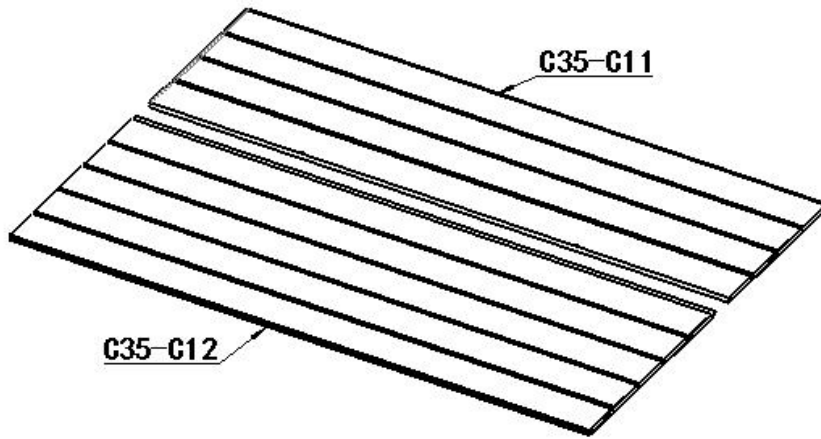
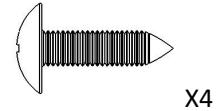
C35-C11

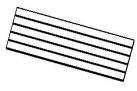

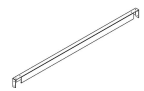
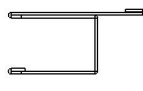

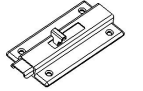



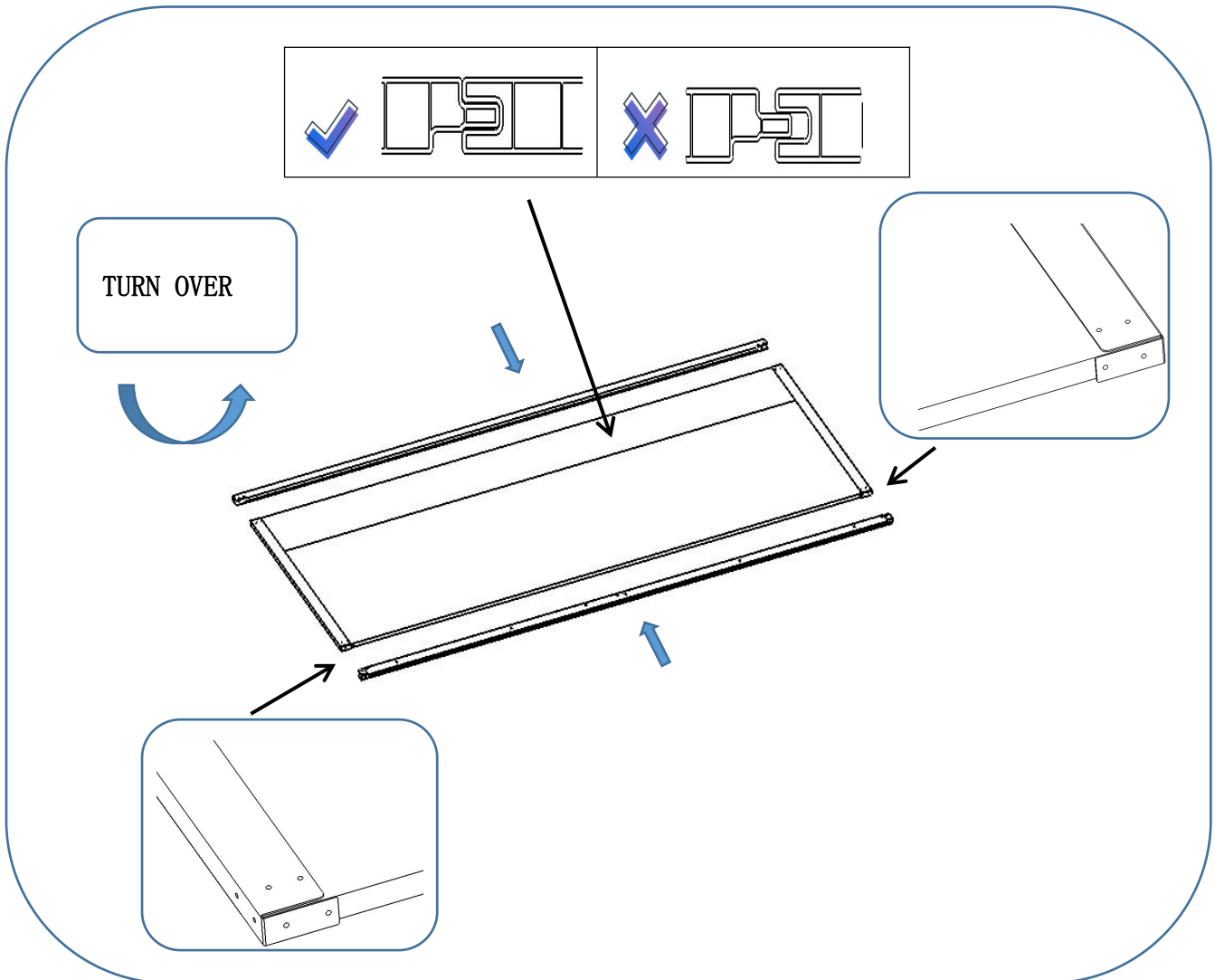
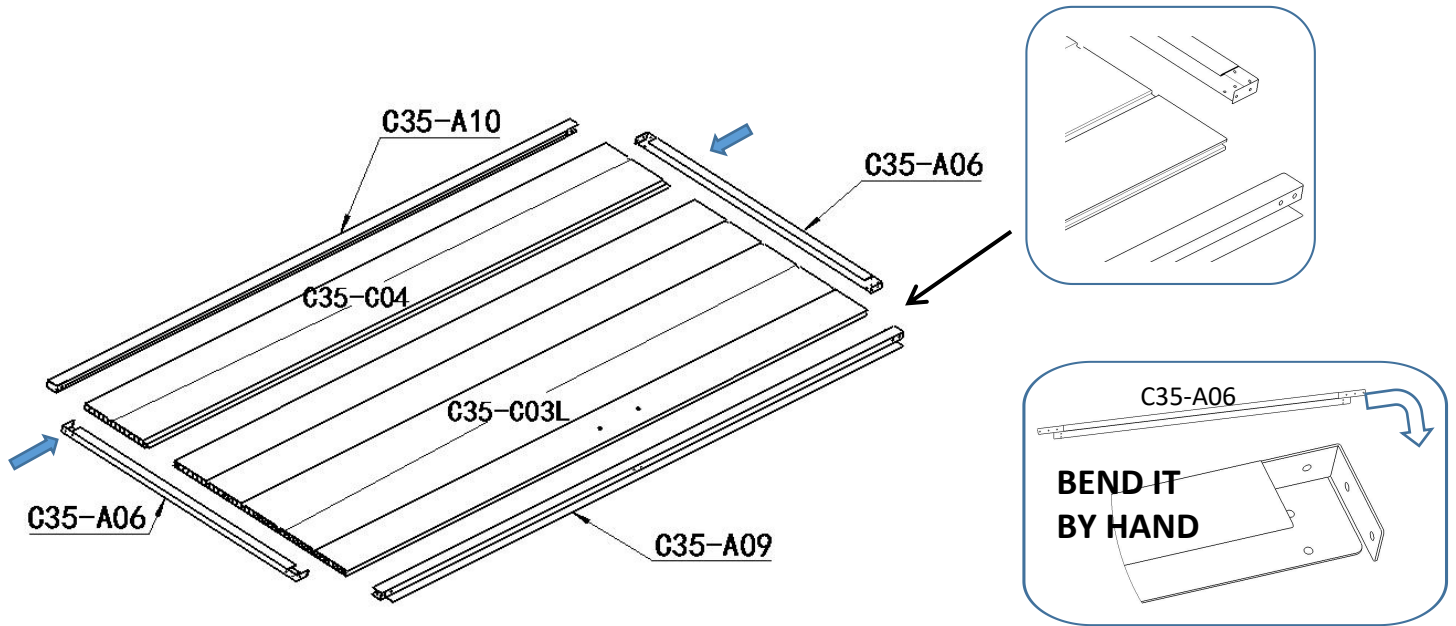
C35-C12

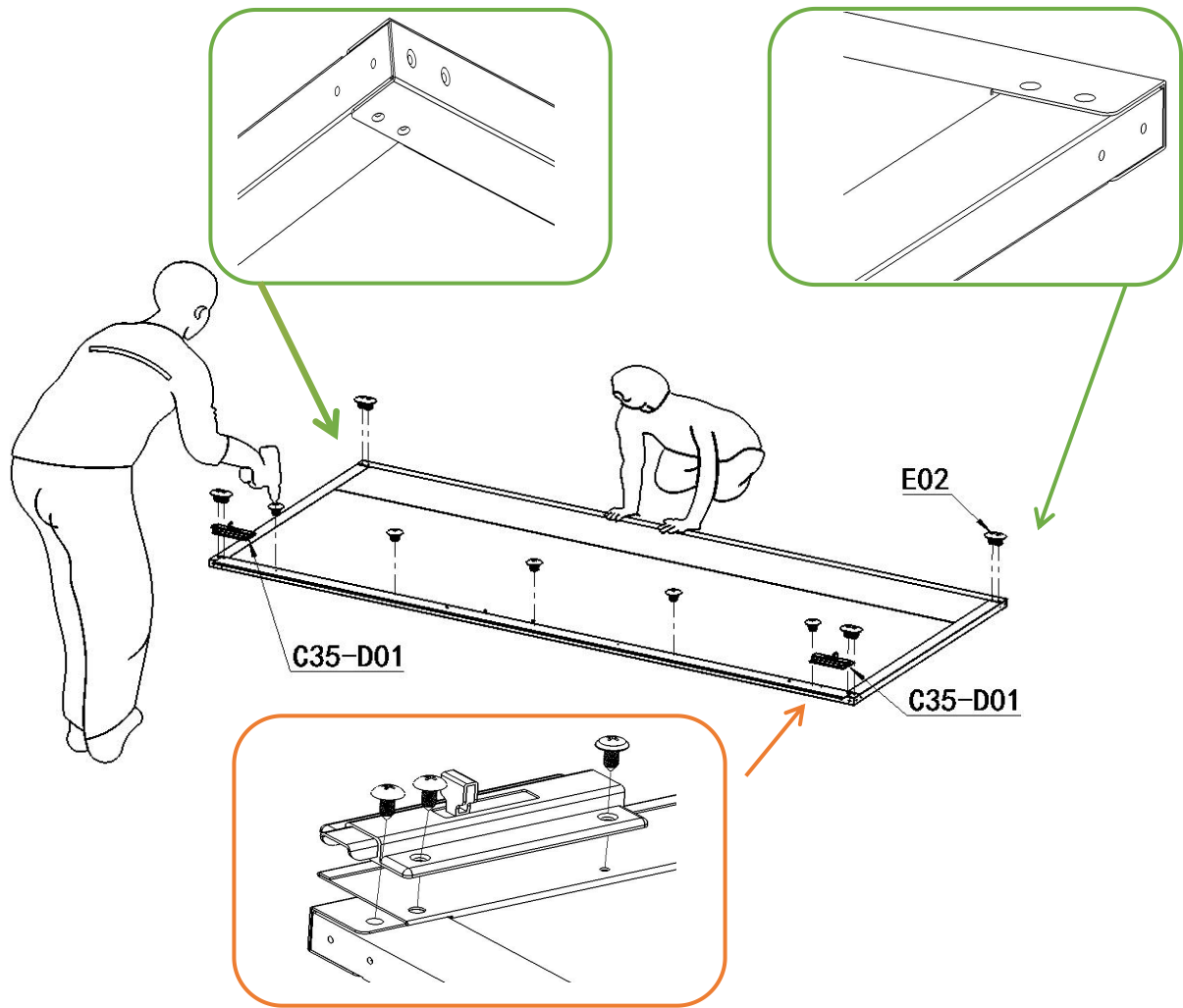


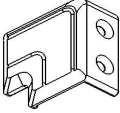
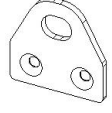
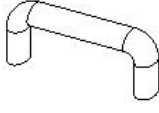
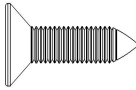

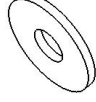
E02

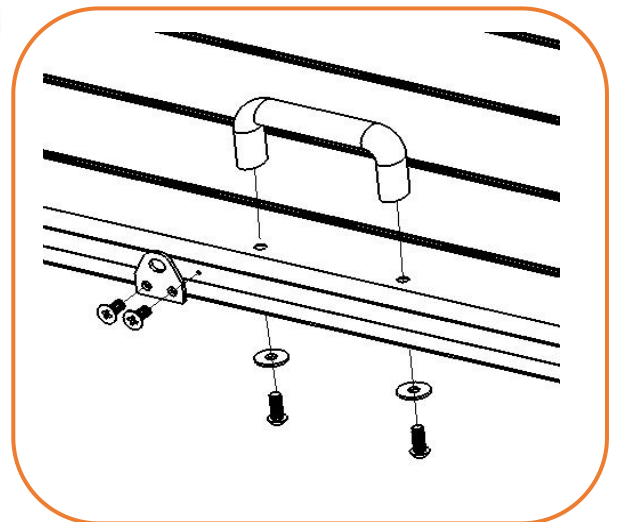
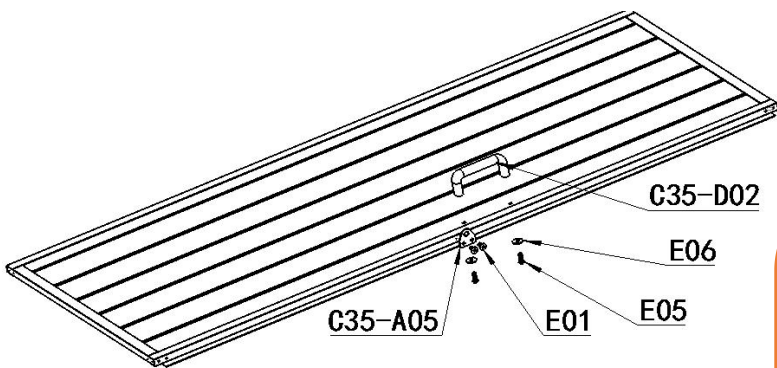


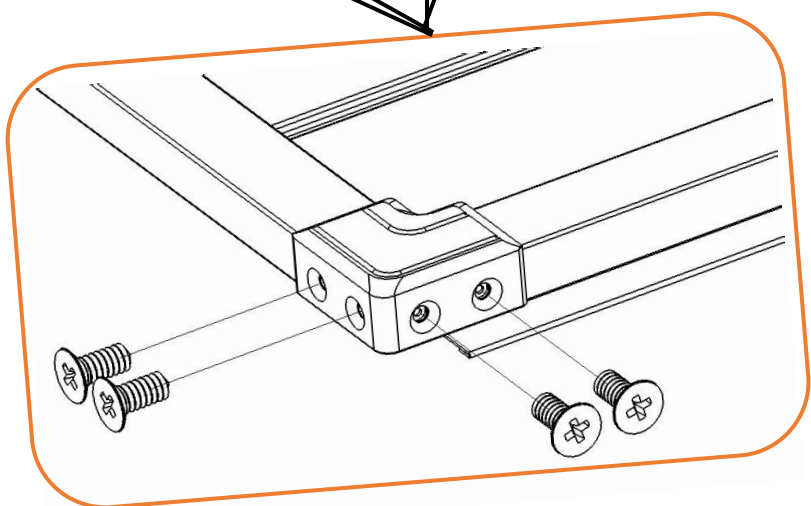
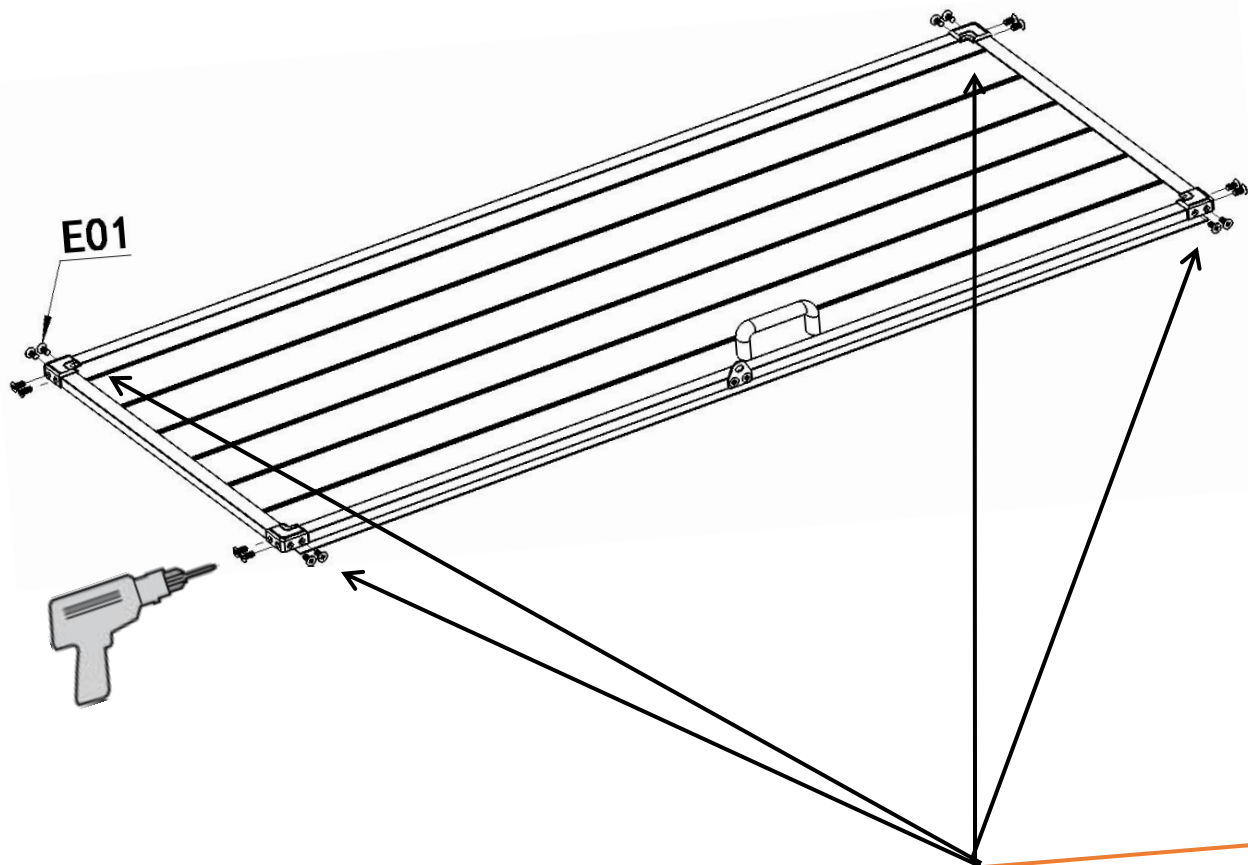
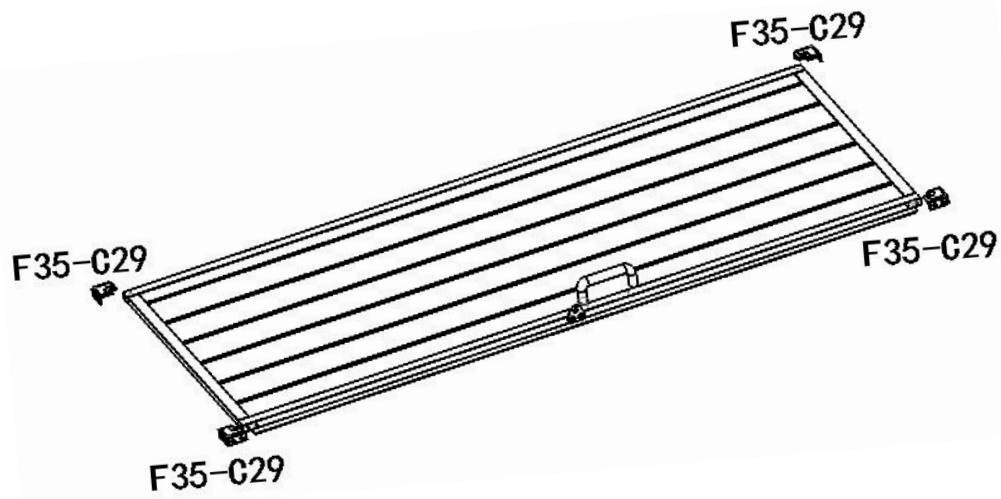
9 LEFT DOOR	C35-C03L	C35-C04	C35-A06	C35-A09	C35-A10	C35-D01	E02
	 X1	 X1	 X2	 X1	 X1	 X2	 X13





10	F35-C29	C35-A05	C35-D02	E01	E05	E06
						
	X4	X1	X1	X18	X2	X2

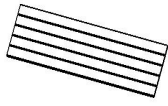




11

RIGHT DOOR

C35-C03R



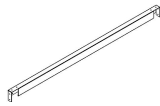
X1

C35-C04



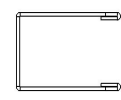
X1

C35-C06



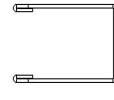
X2

C35-A07



X1

C35-A08

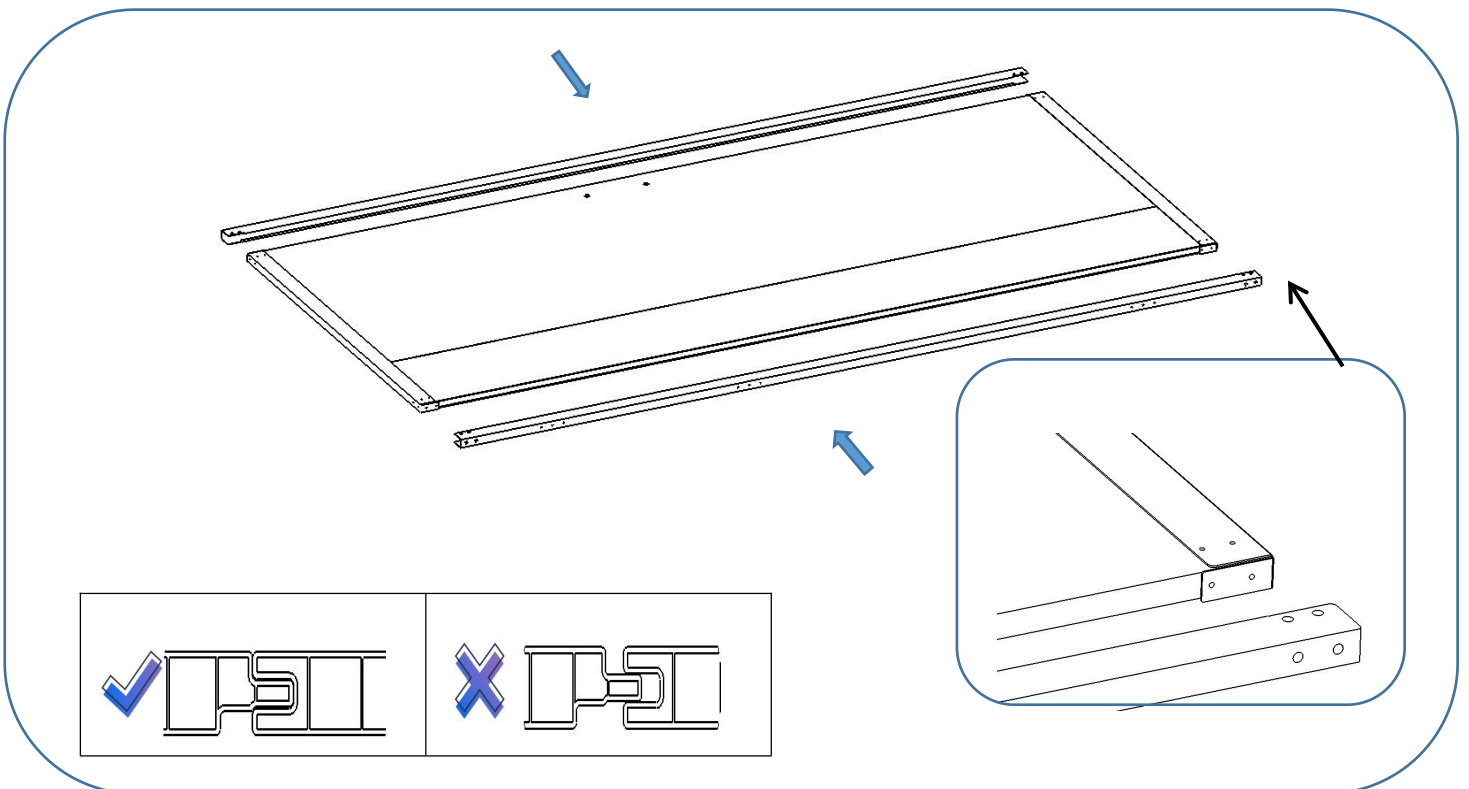
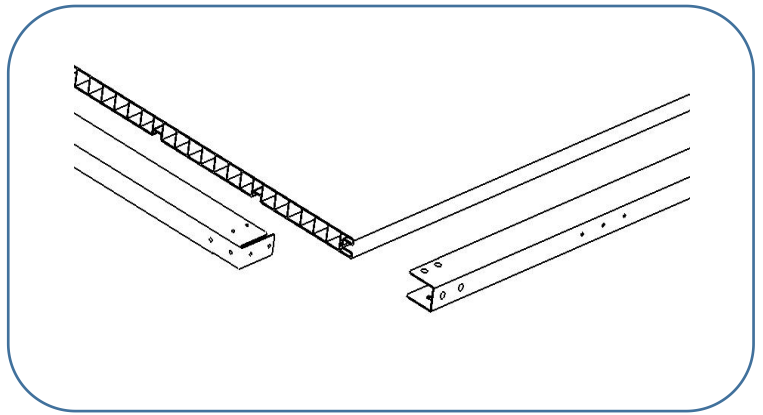
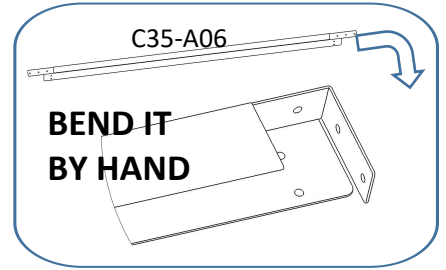
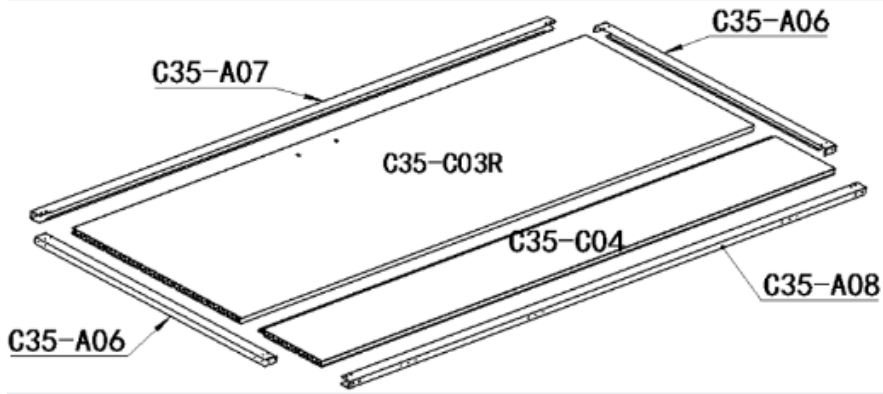


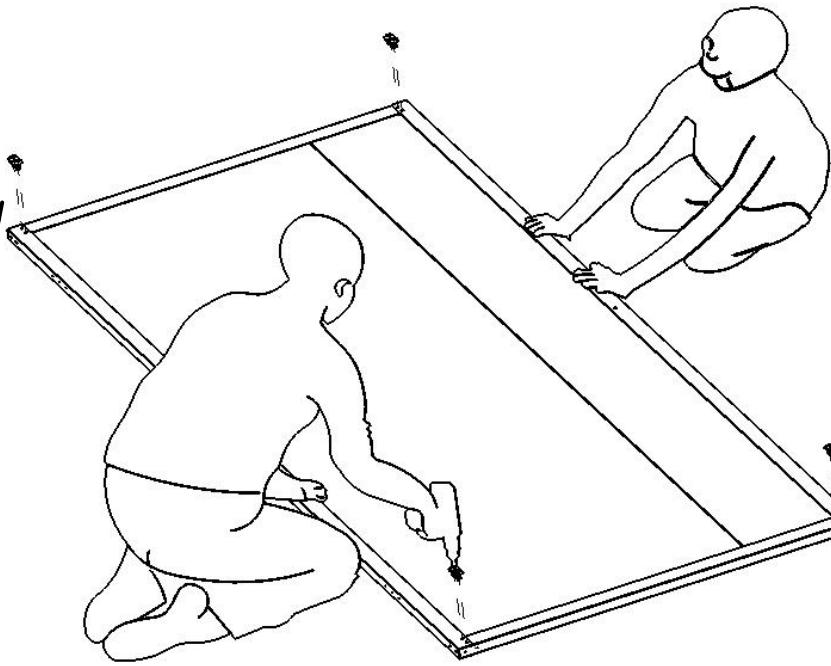
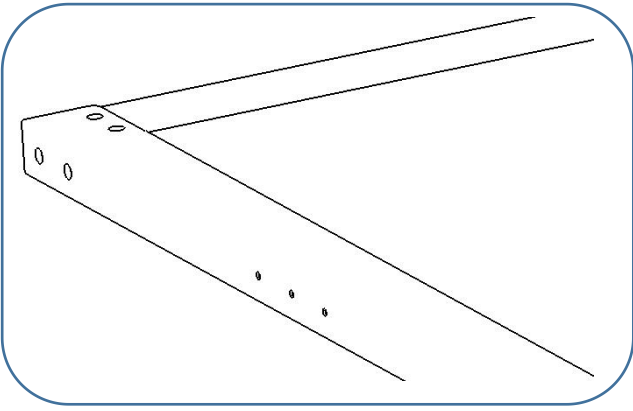
X1

E02

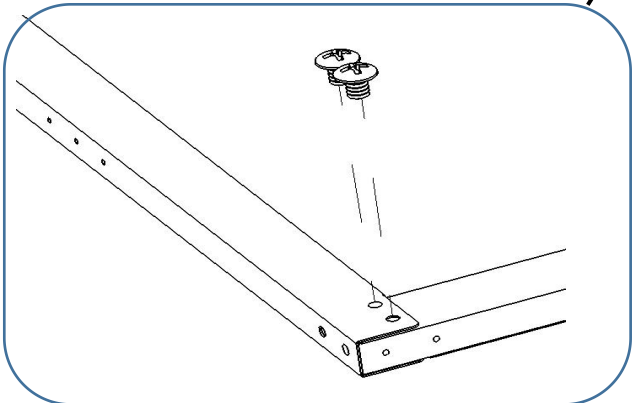
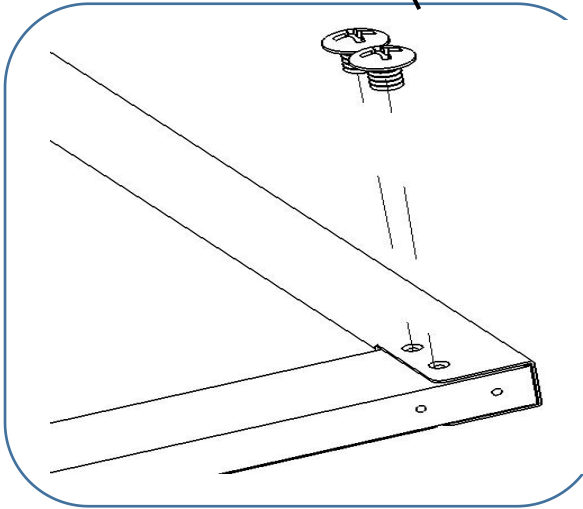


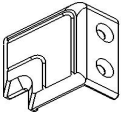
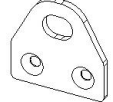
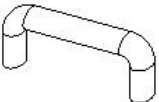
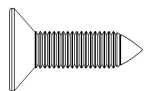

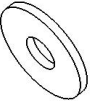
X8

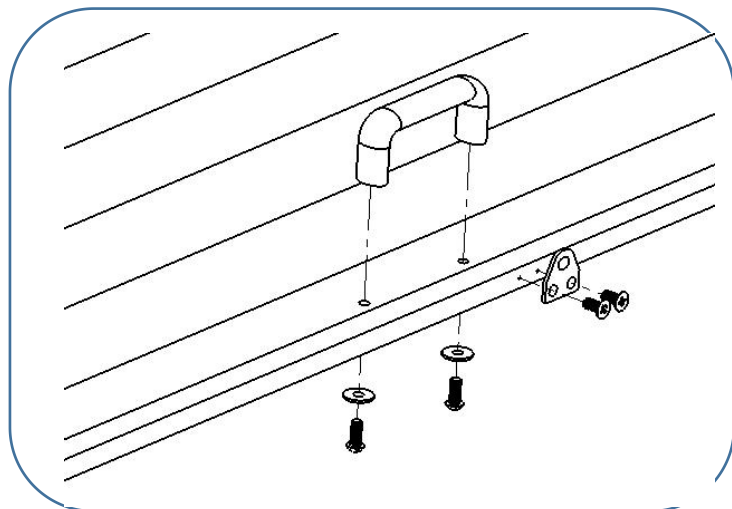
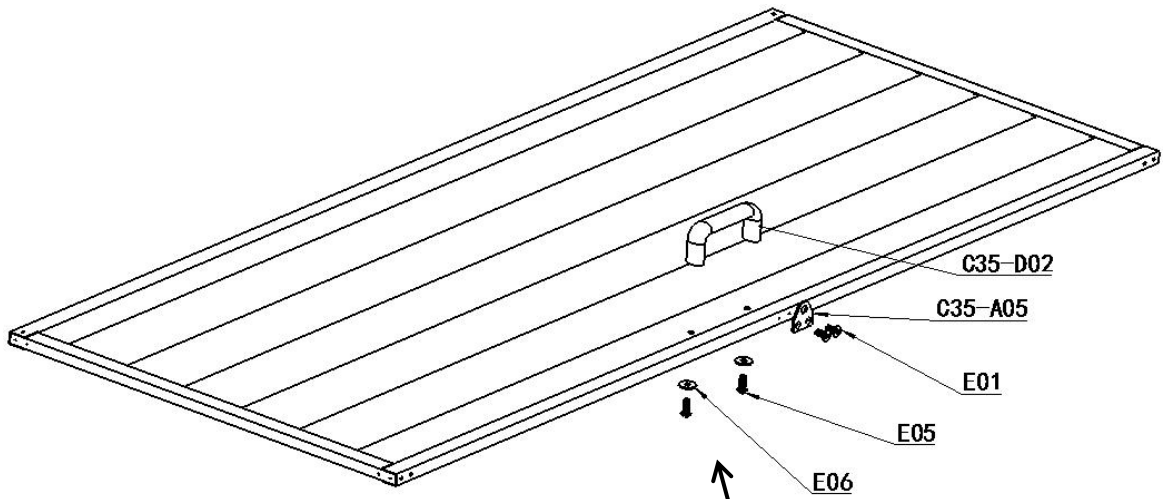


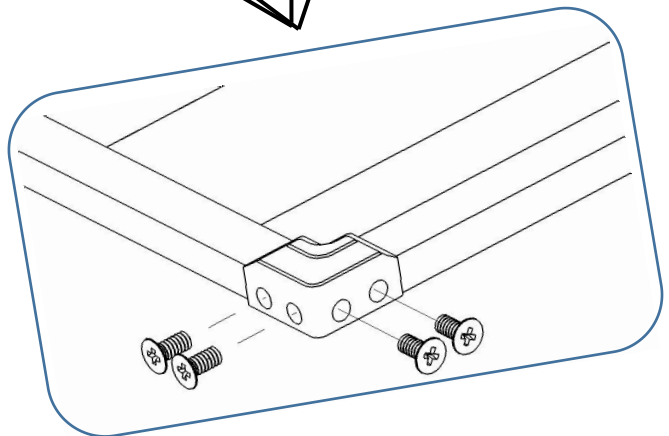
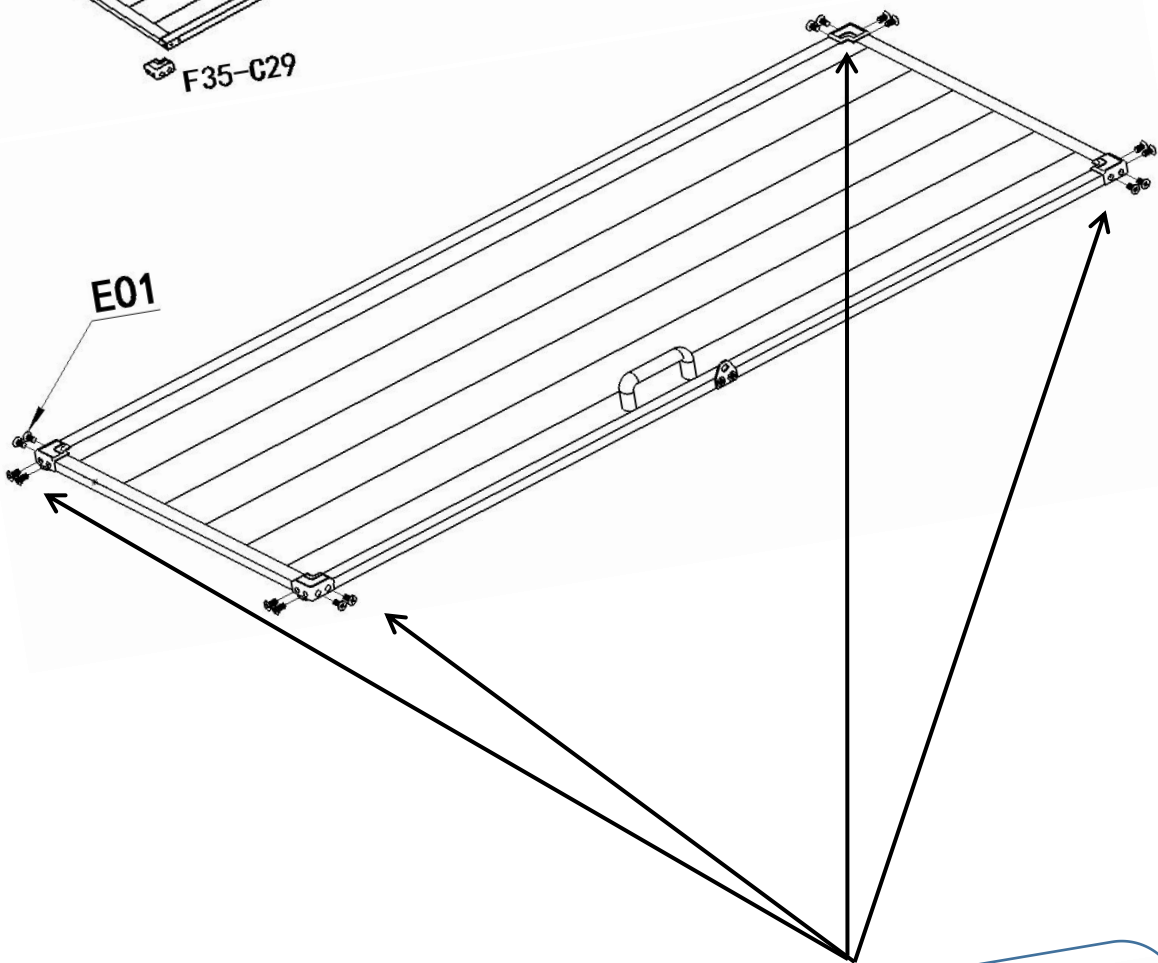
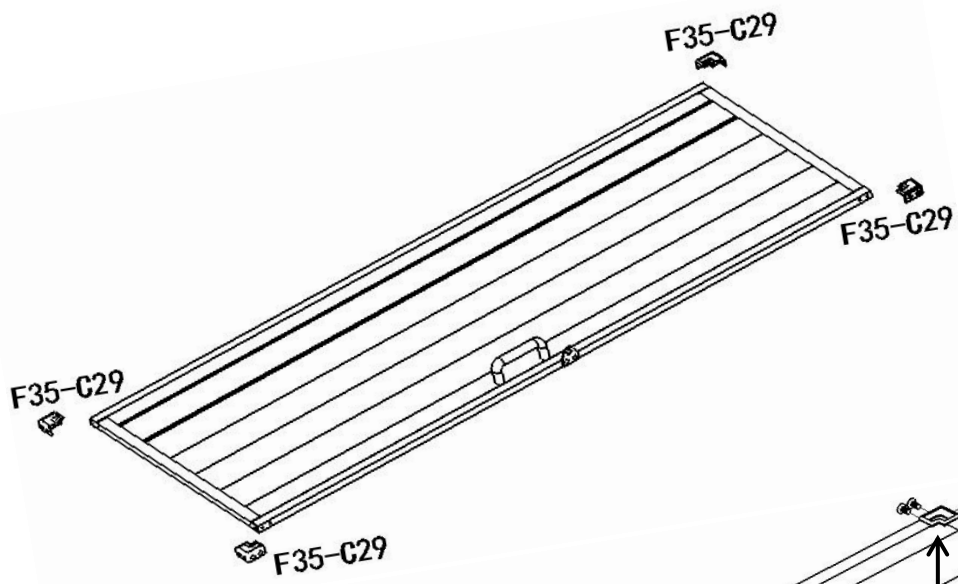


E02



<h1>12</h1>	<p>F35-C29</p>  <p>X4</p>	<p>C35-A05</p>  <p>X1</p>	<p>C35-D02</p>  <p>X1</p>	<p>E01</p>  <p>X18</p>	<p>E05</p>  <p>X2</p>	<p>E06</p>  <p>X2</p>
-------------	--	--	--	--	--	--





13

BACK WALL
ASSEMBLY

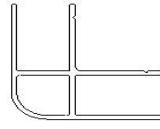


x1



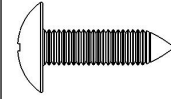
x1

C35-C16

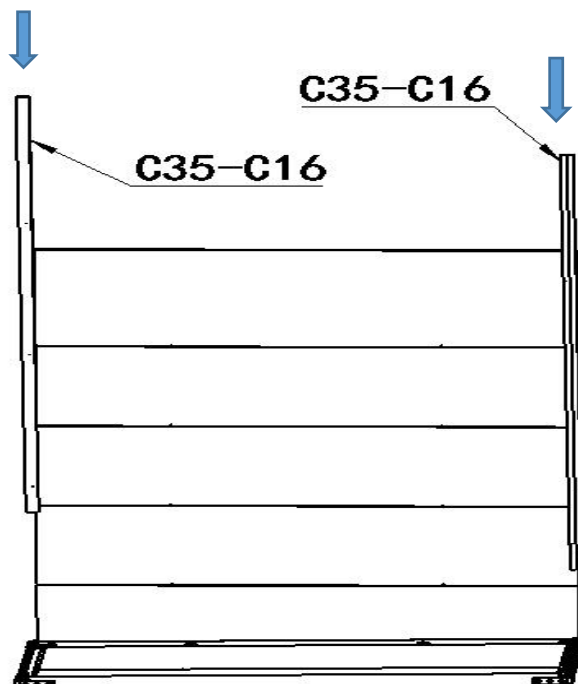
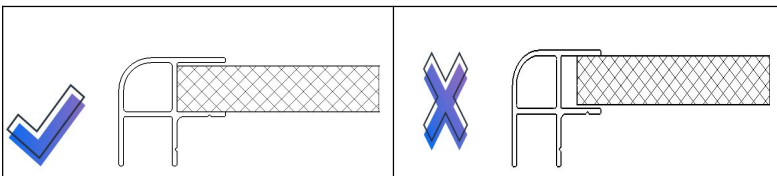
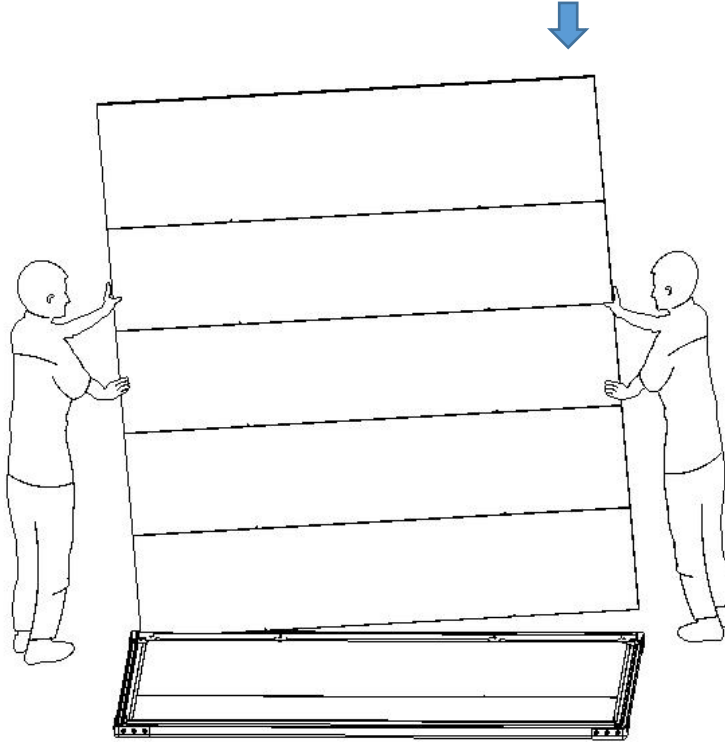


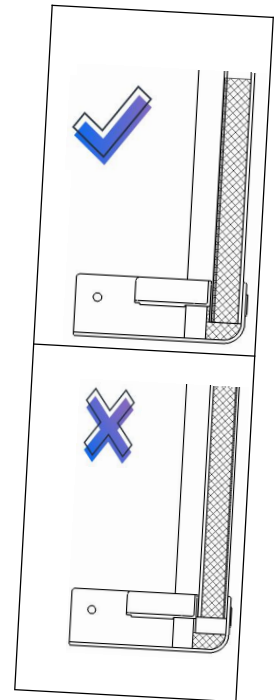
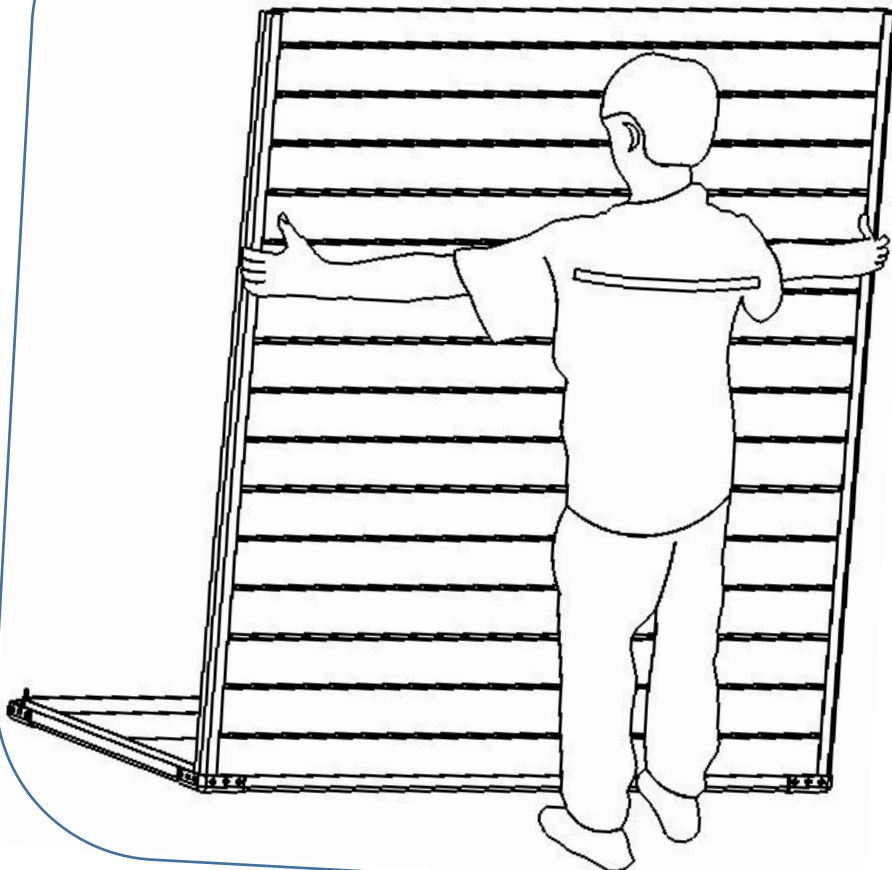
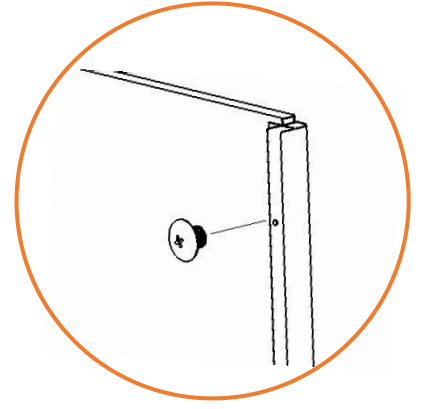
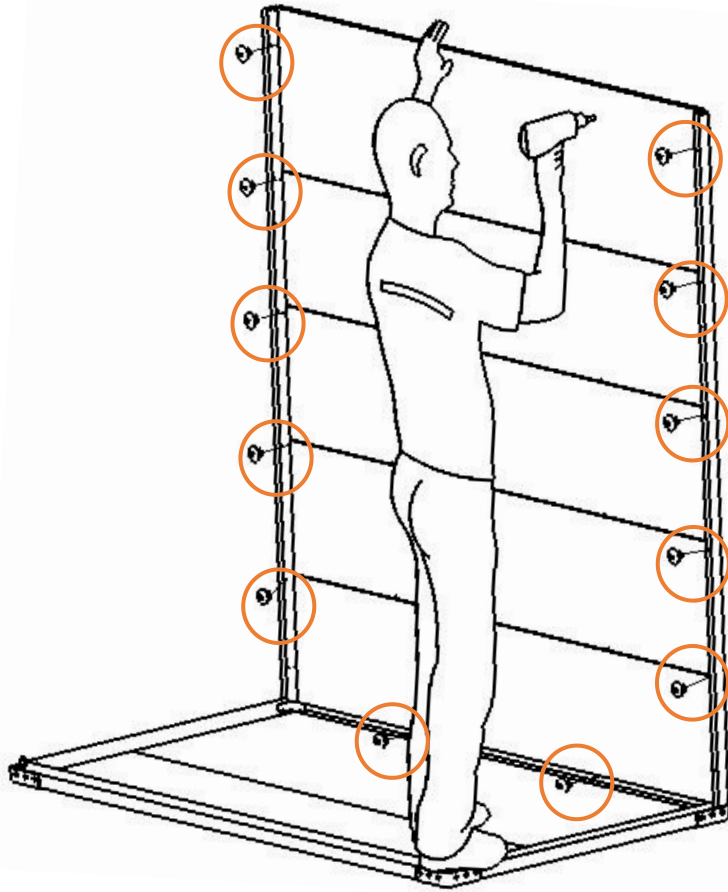
x2

E02



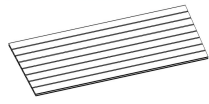
x12





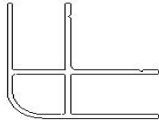
14

LEFT WALL
ASSEMBLY

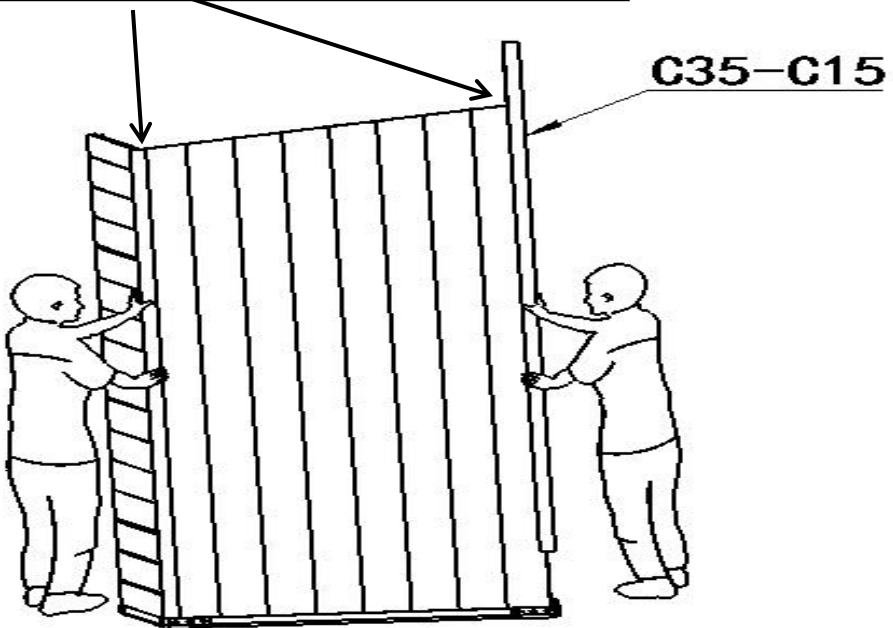
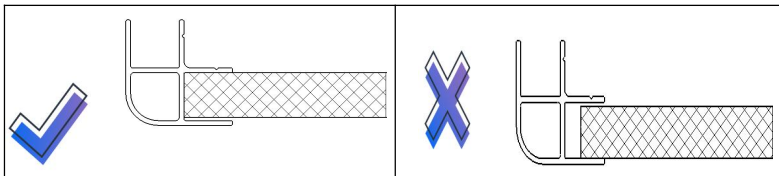
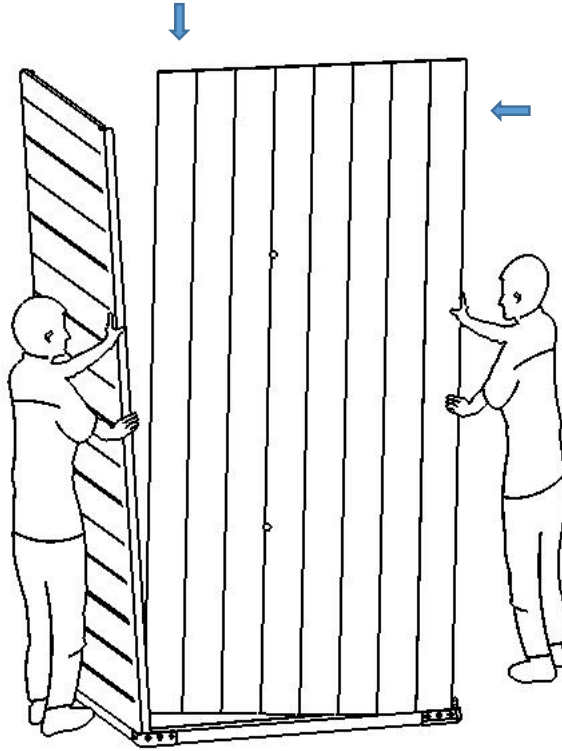


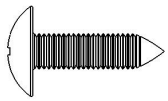
X1

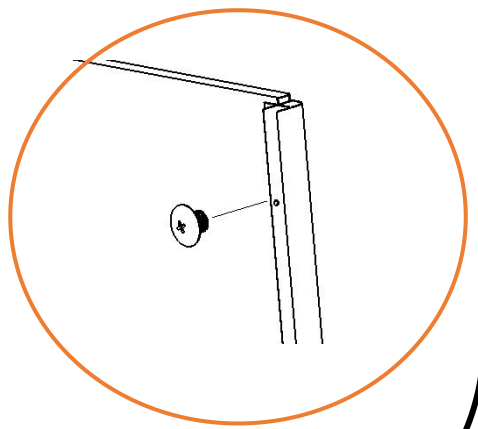
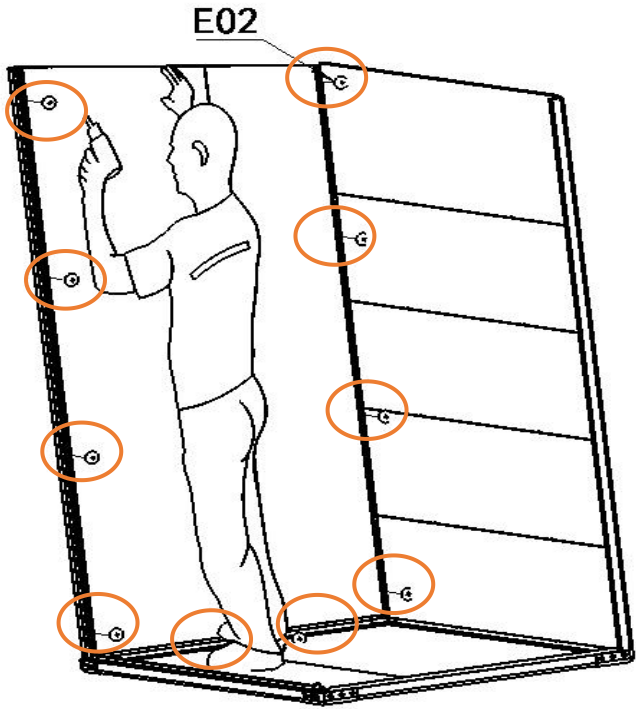
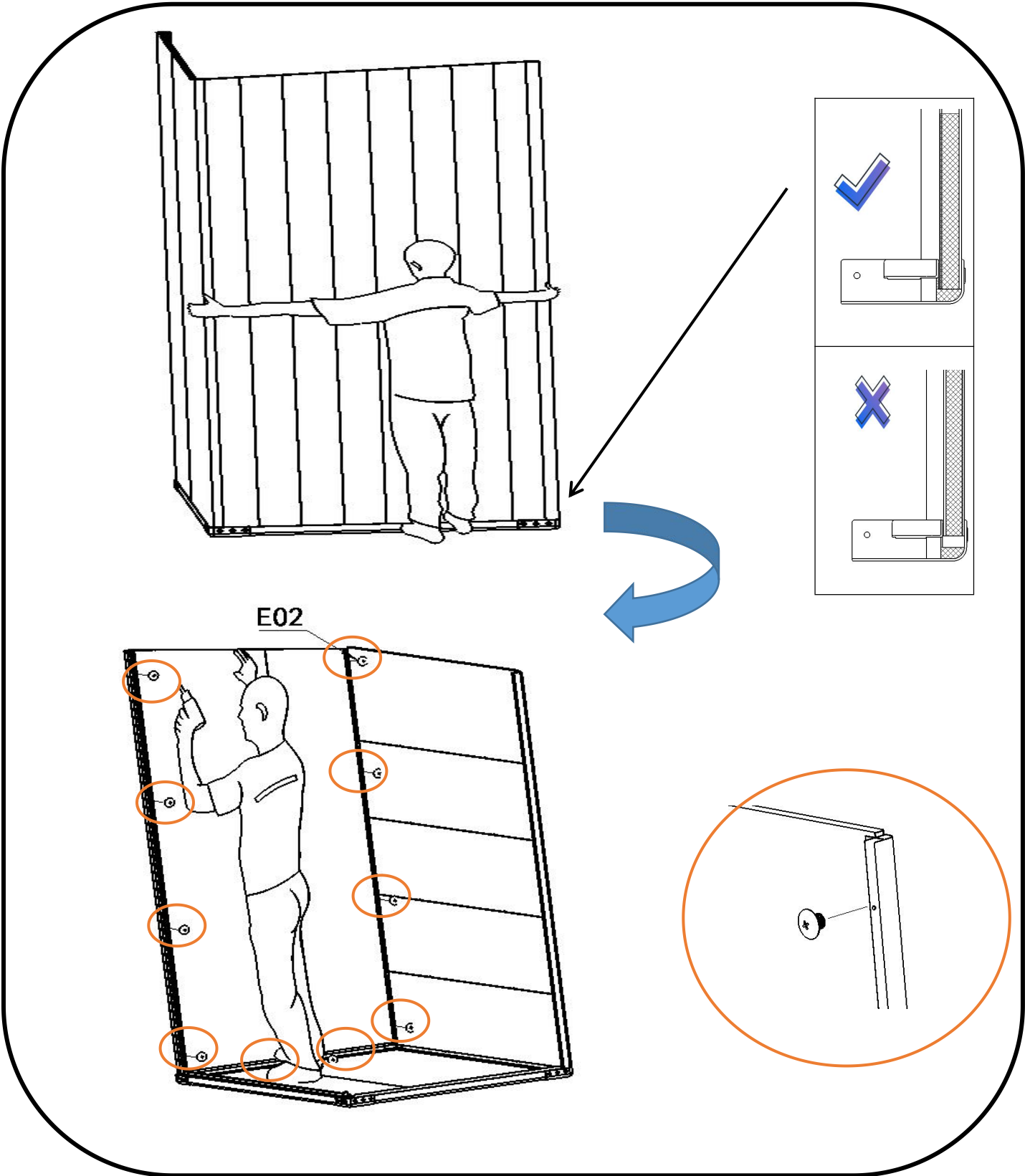
C35-C15



X1

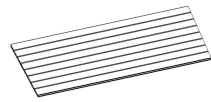


<h1>15</h1>	<p>E02</p>  <p>X10</p>	
-------------	---	--



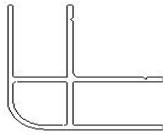
16

RIGHT WALL
ASSEMBLY

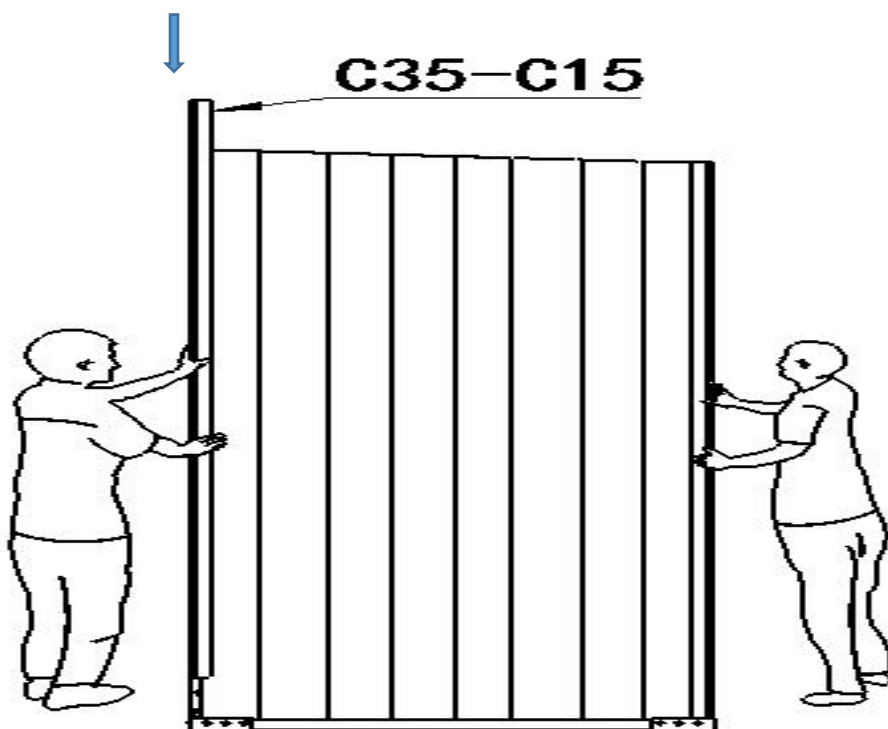
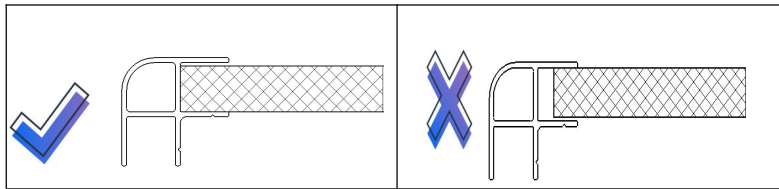
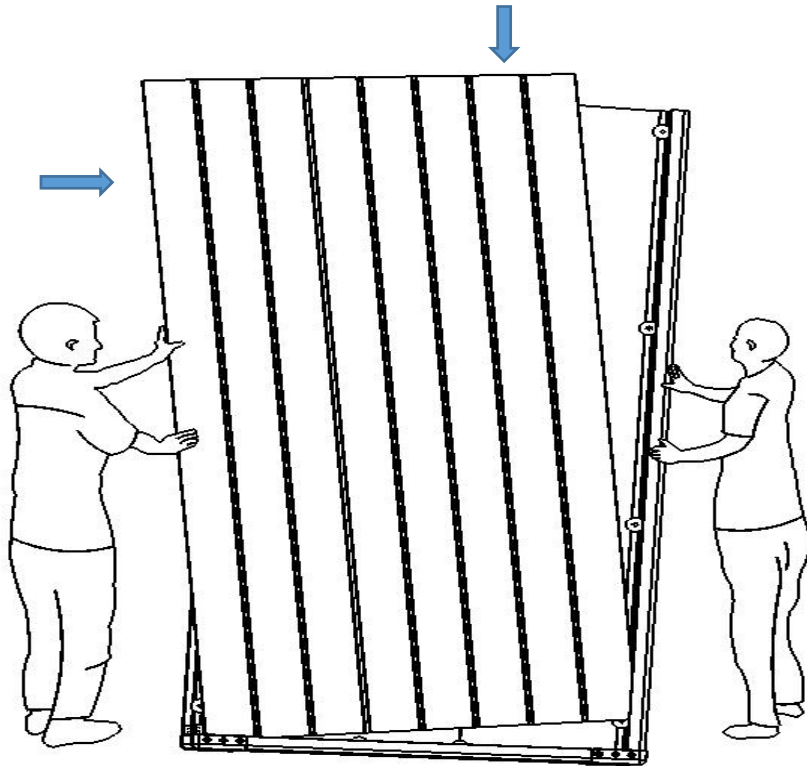


X1

C35-C15

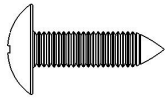


X1

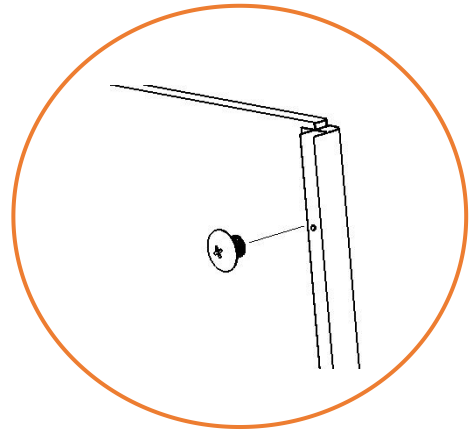
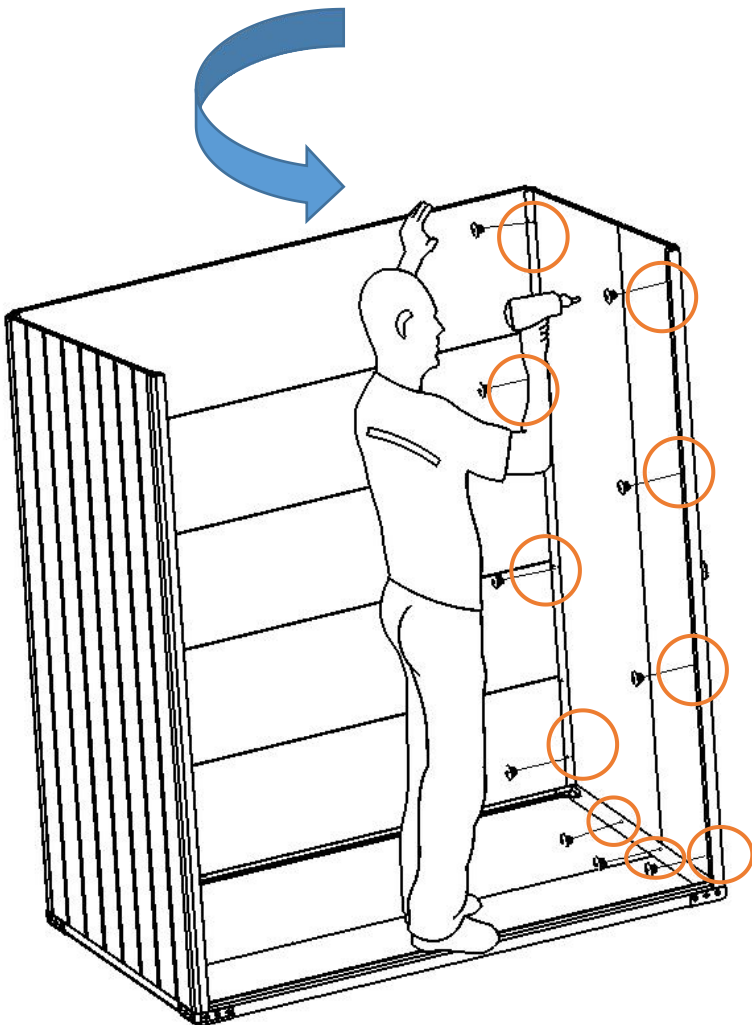
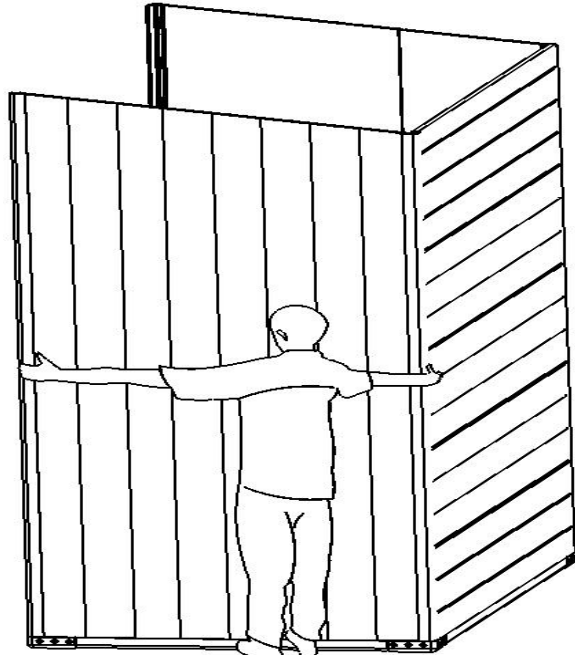
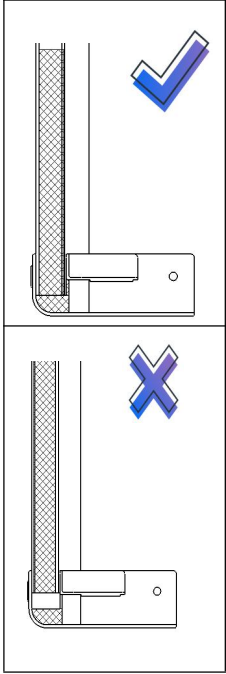


17

E02

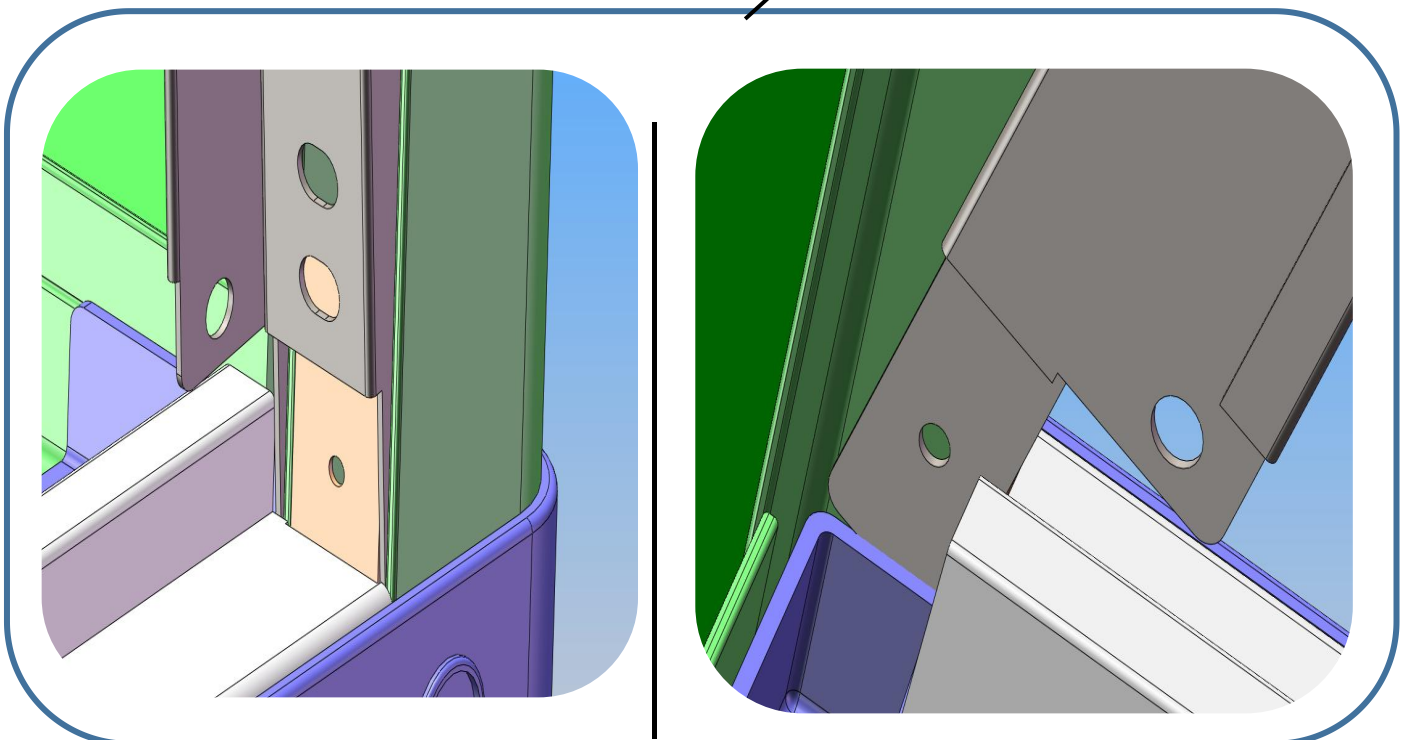
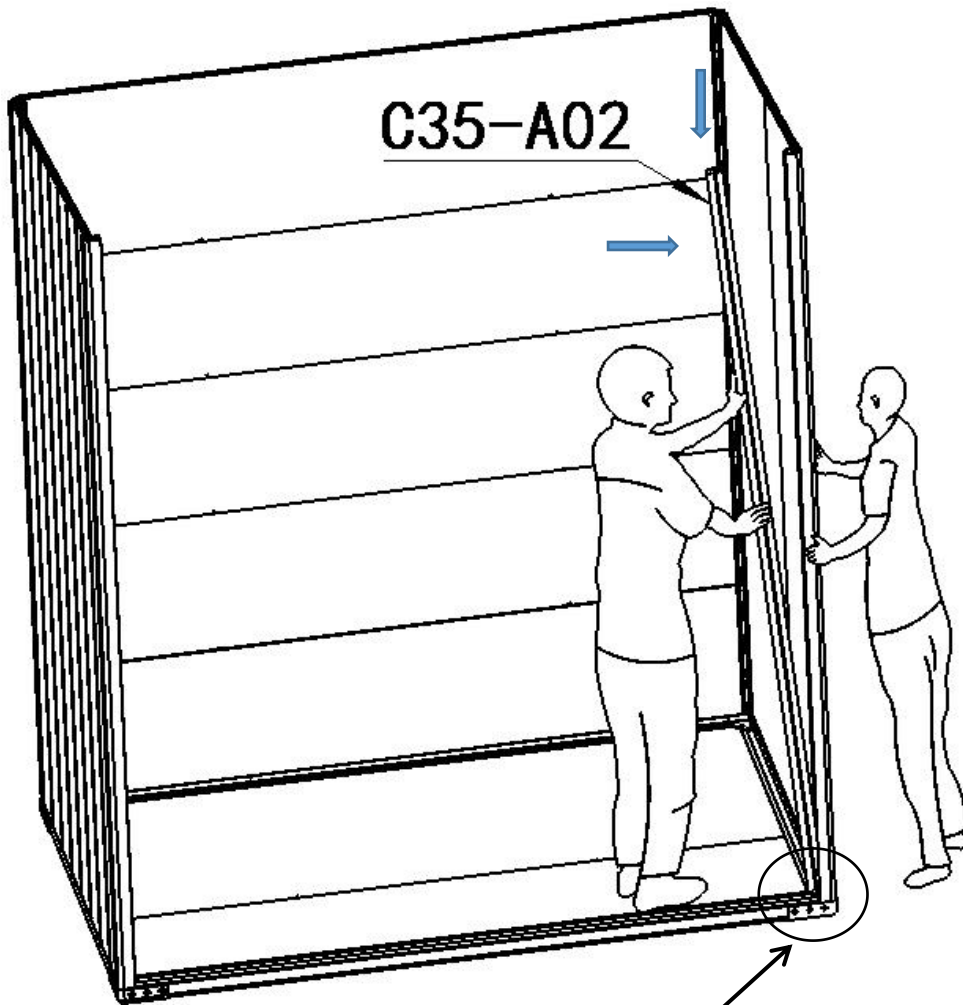
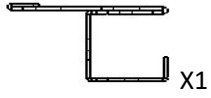


X10



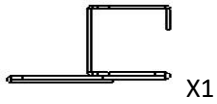
18

C35-A02

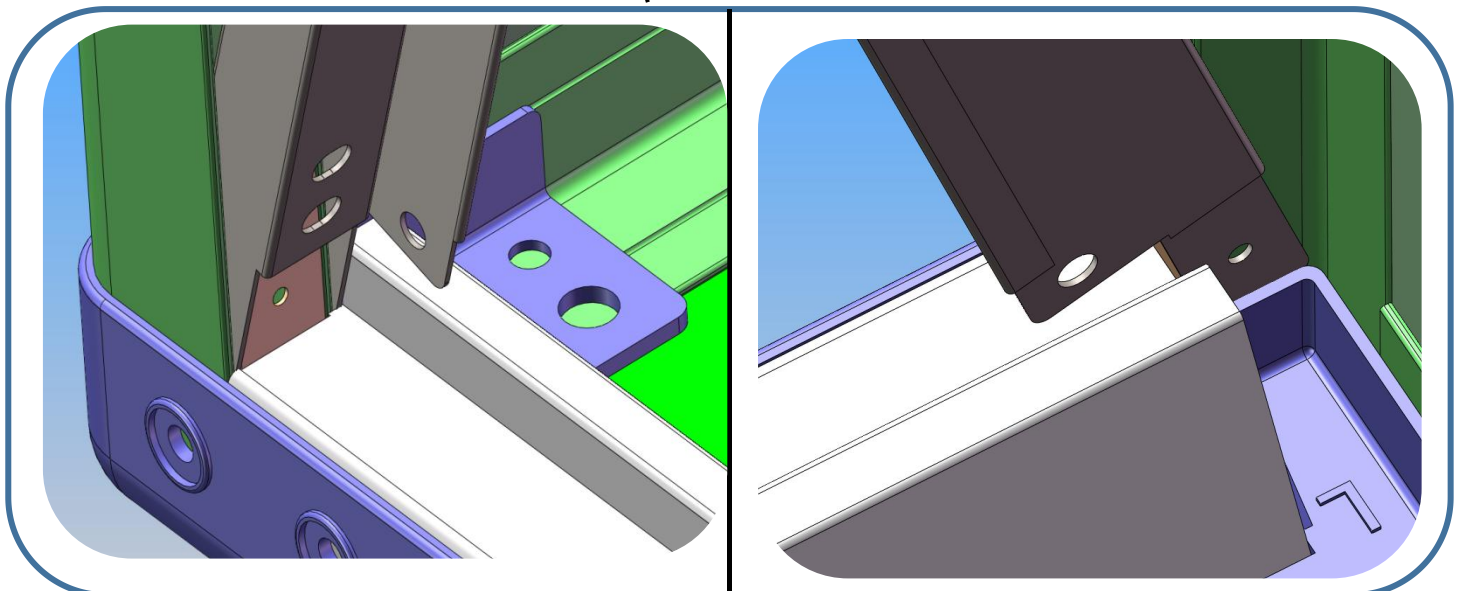
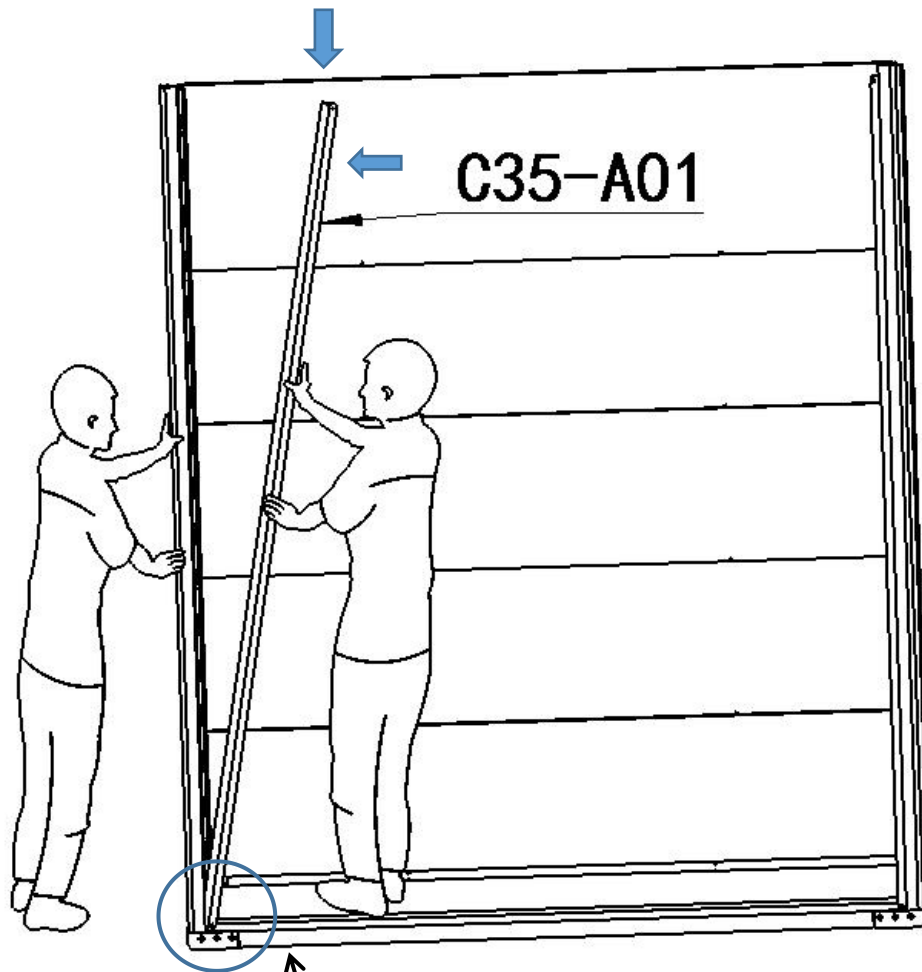
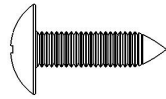


19

C35-A01



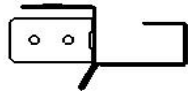
E02



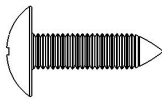
20

C35-A04

E02



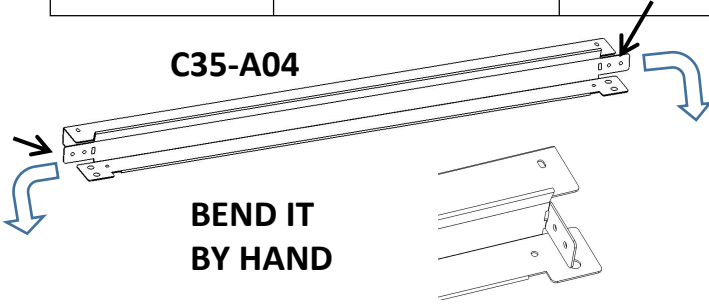
X1



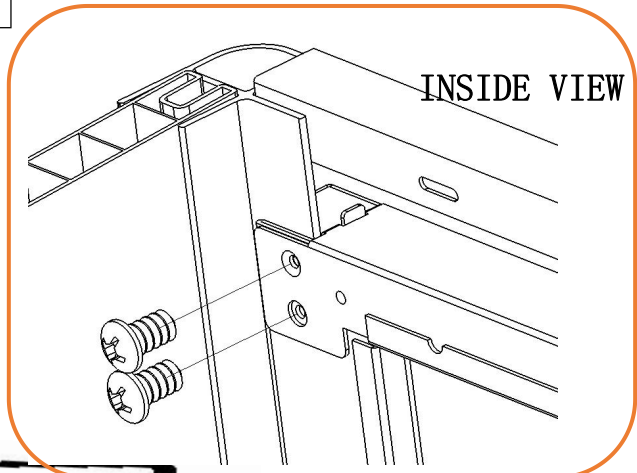
X24

C35-A04

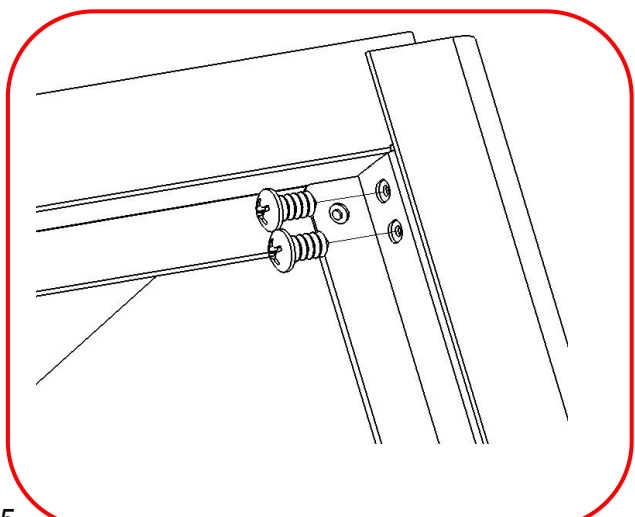
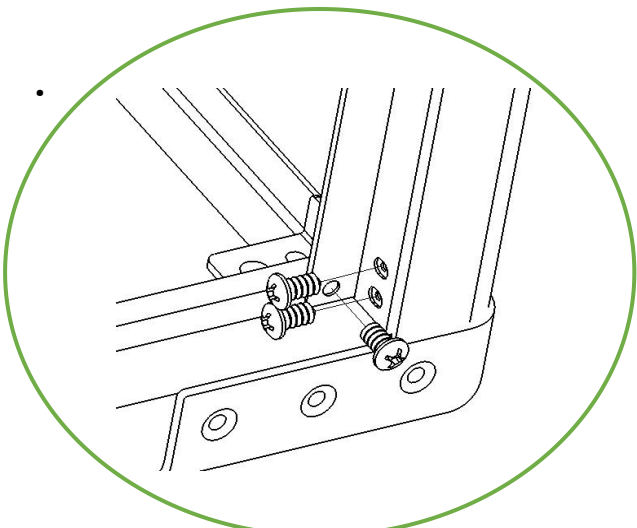
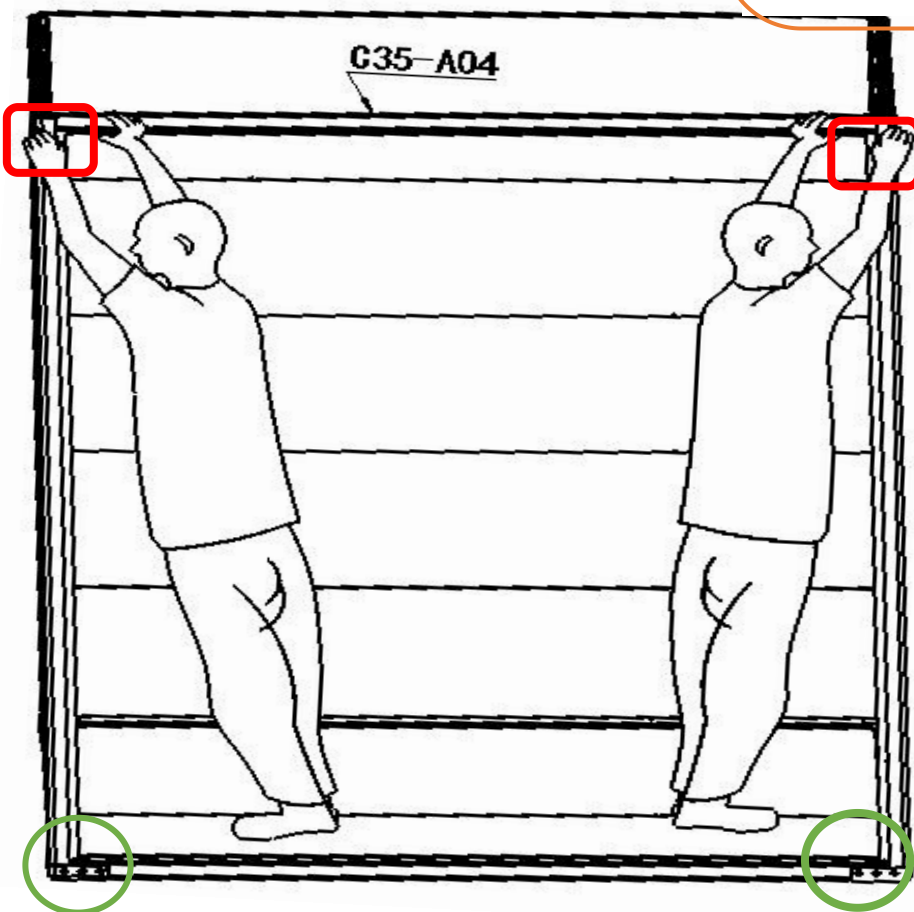
BEND IT
BY HAND

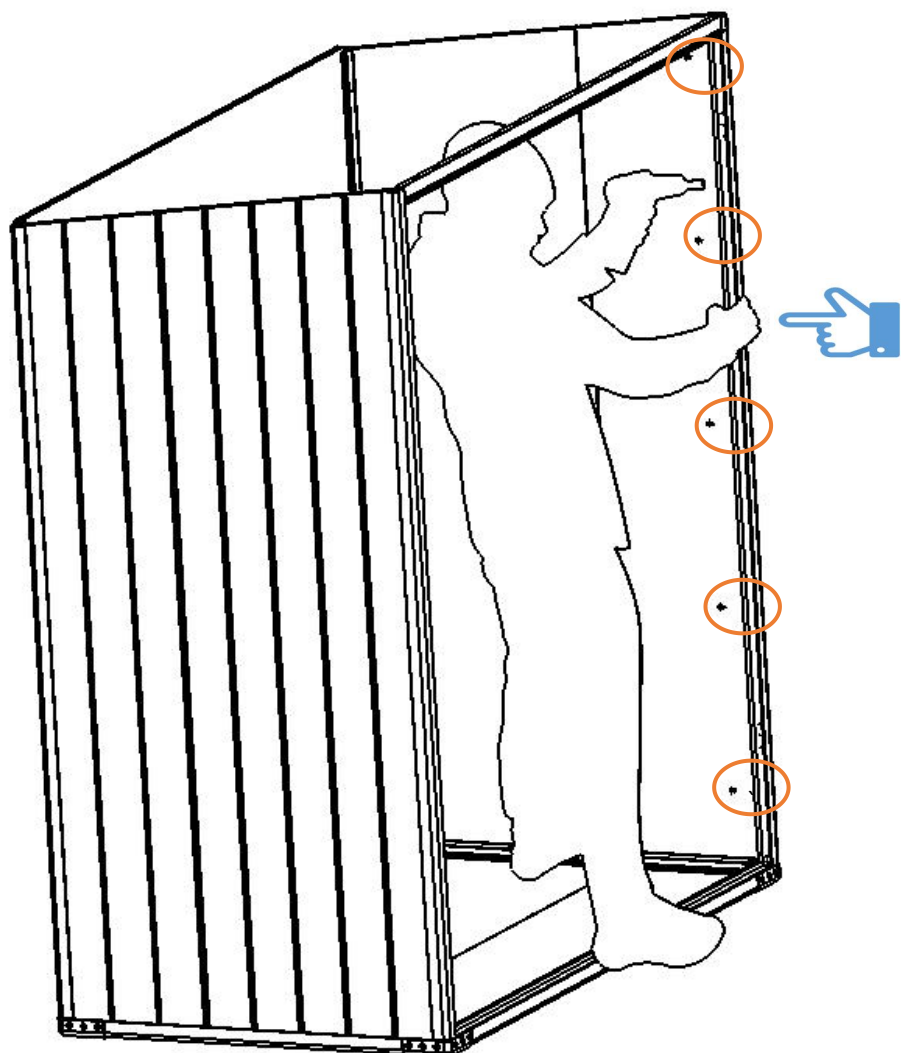
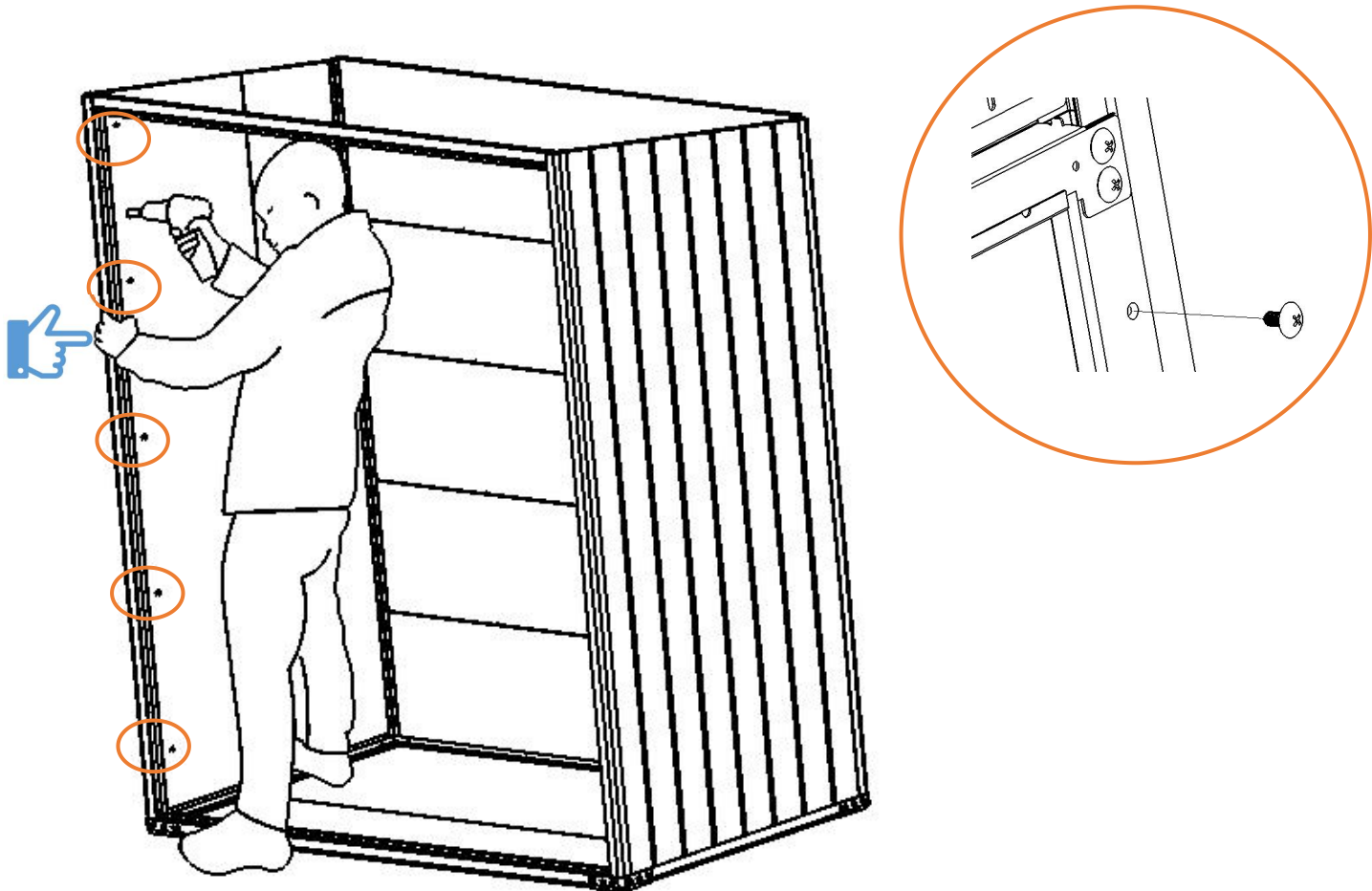


INSIDE VIEW



C35-A04



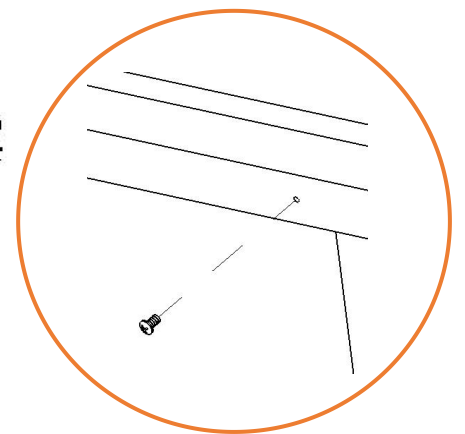
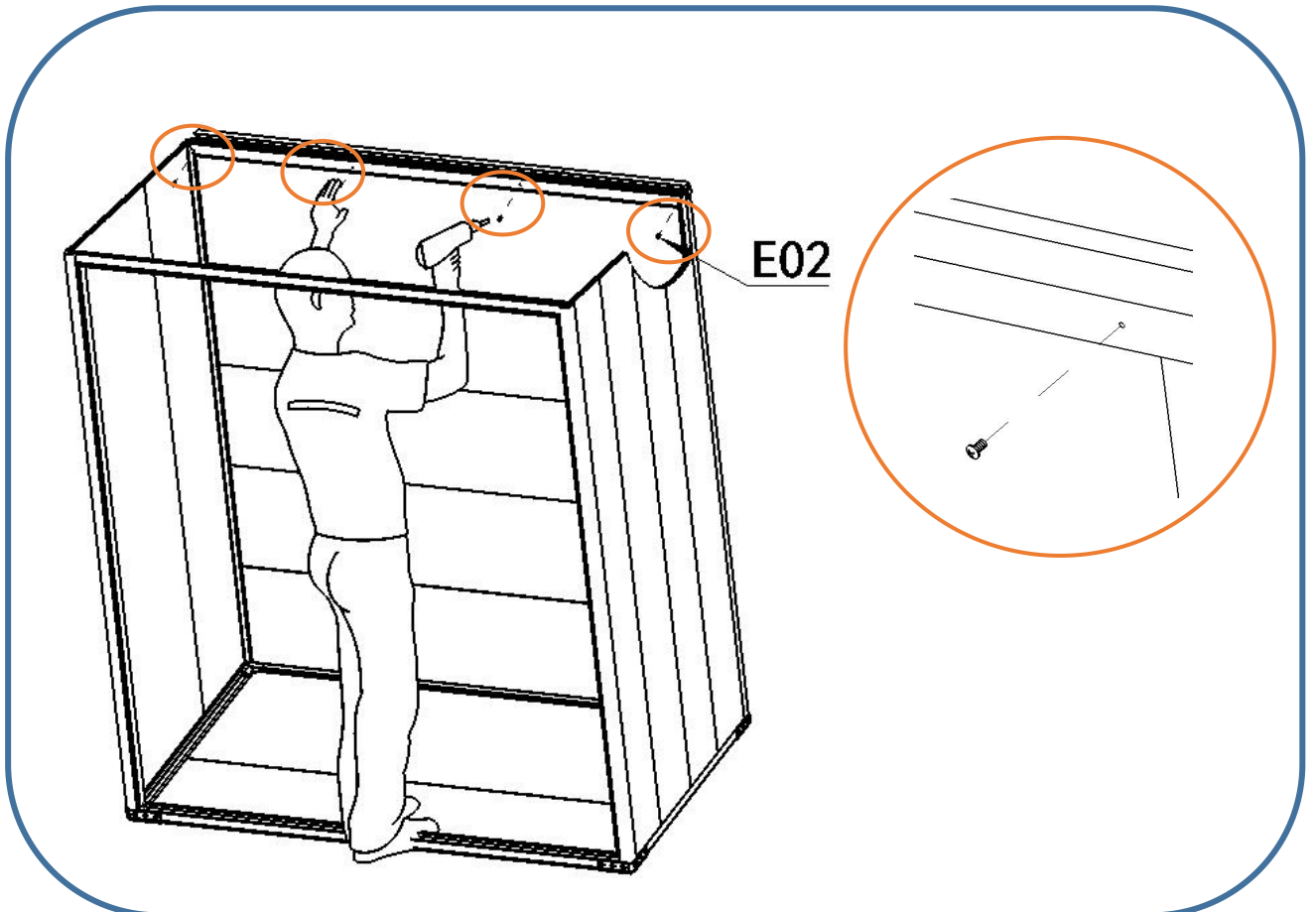
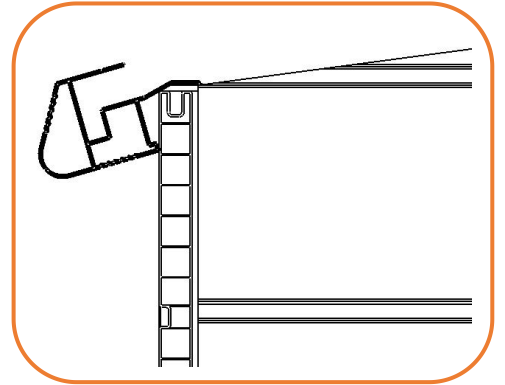
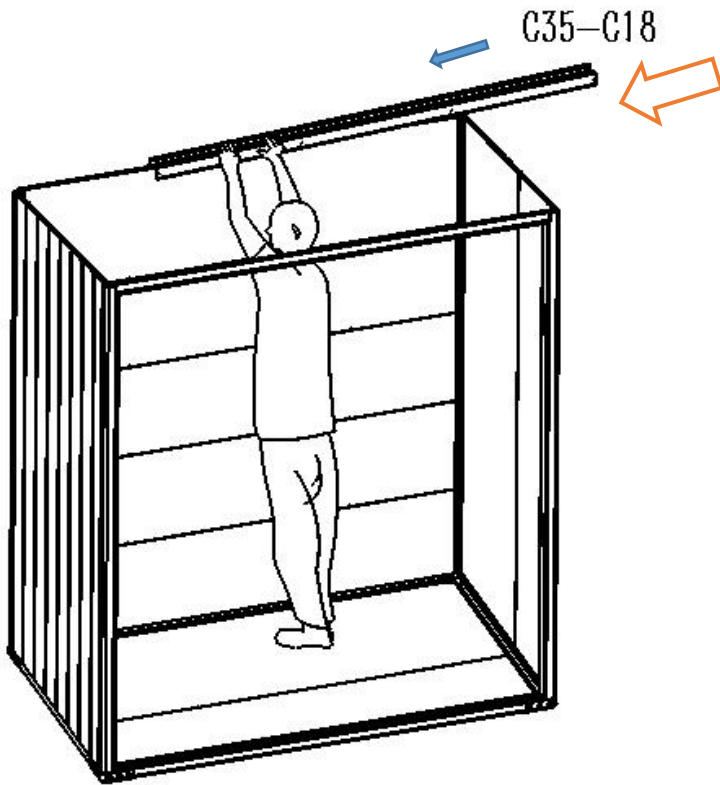
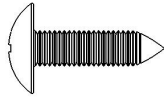


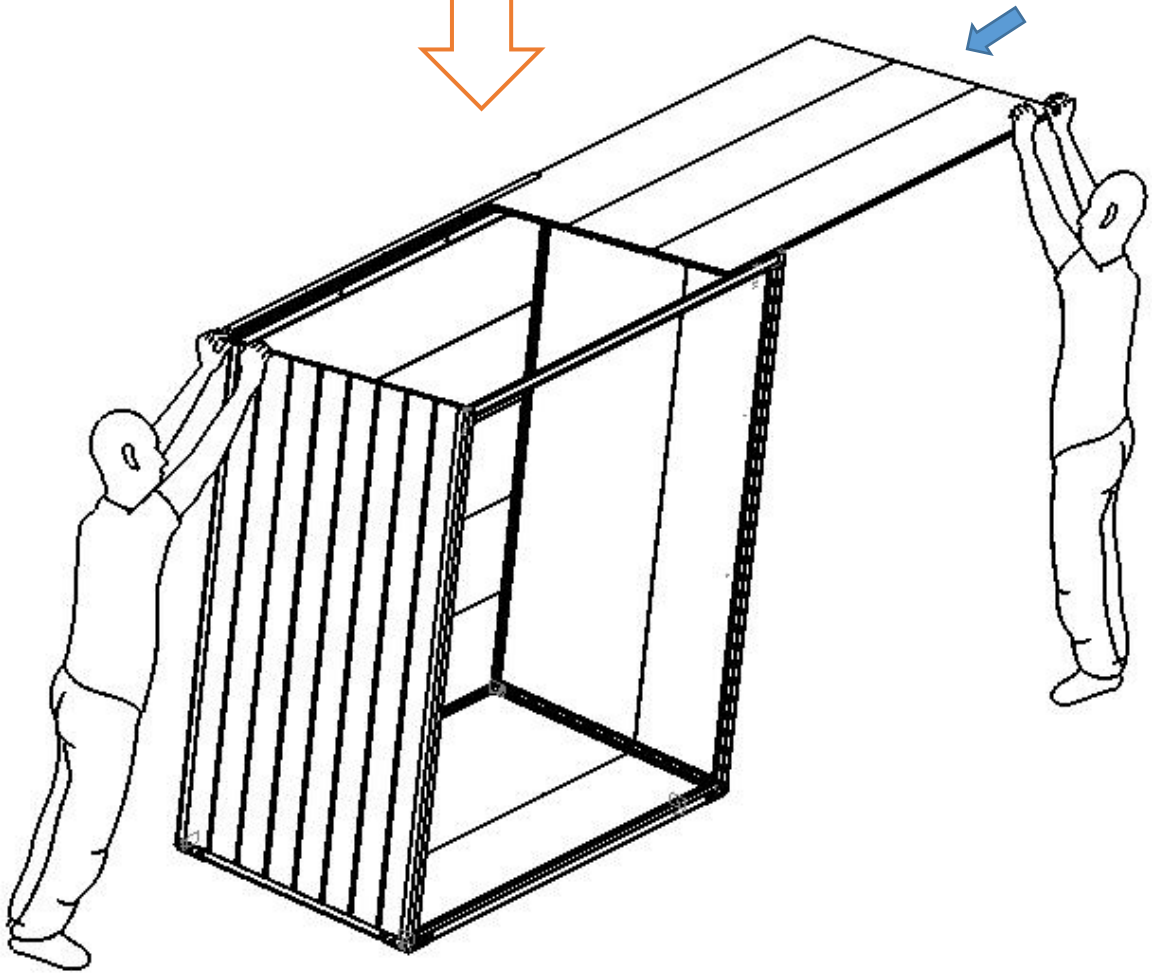
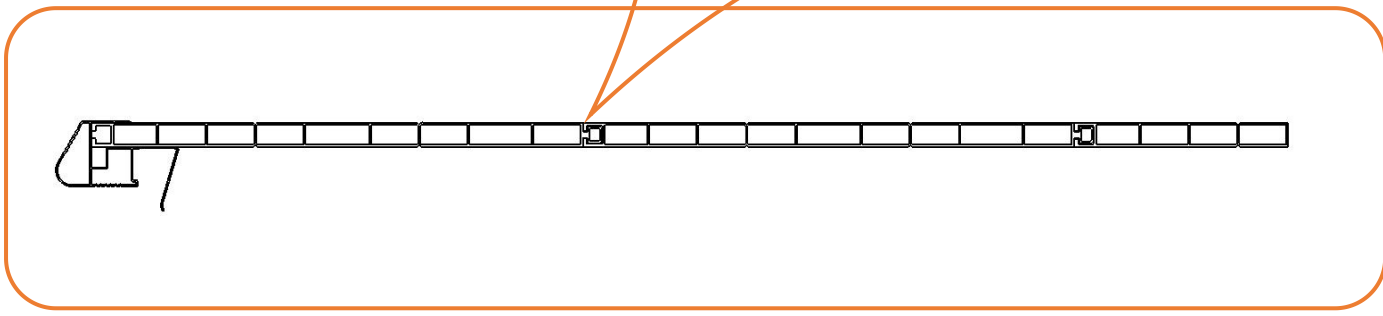
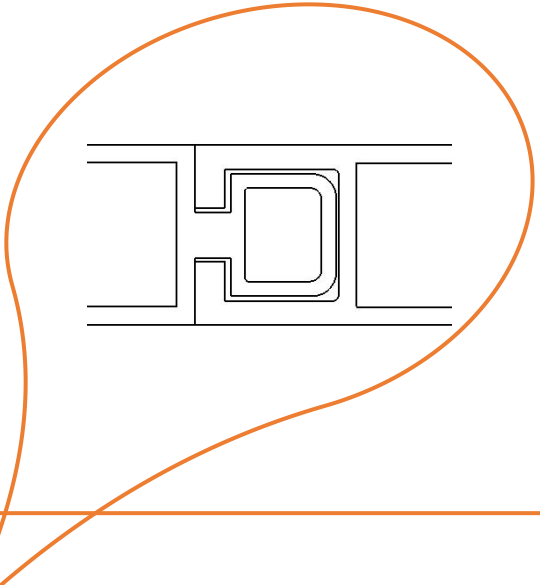
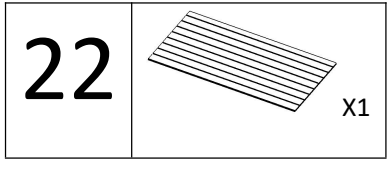
21

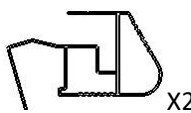
C35-C18

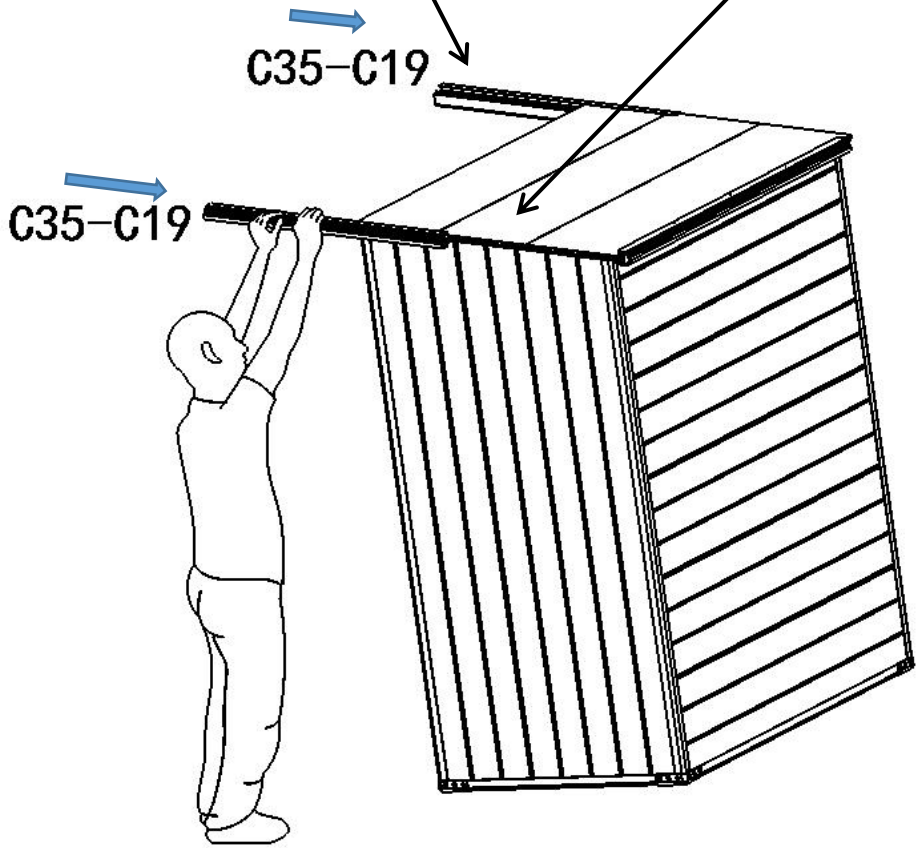
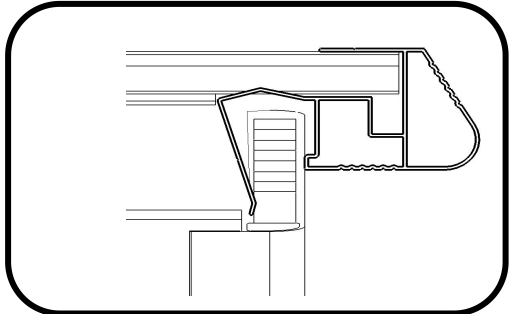
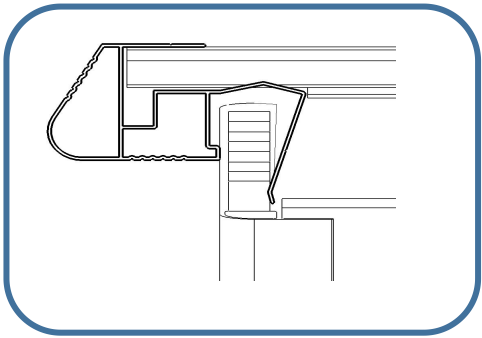


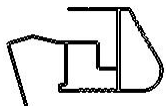
E02

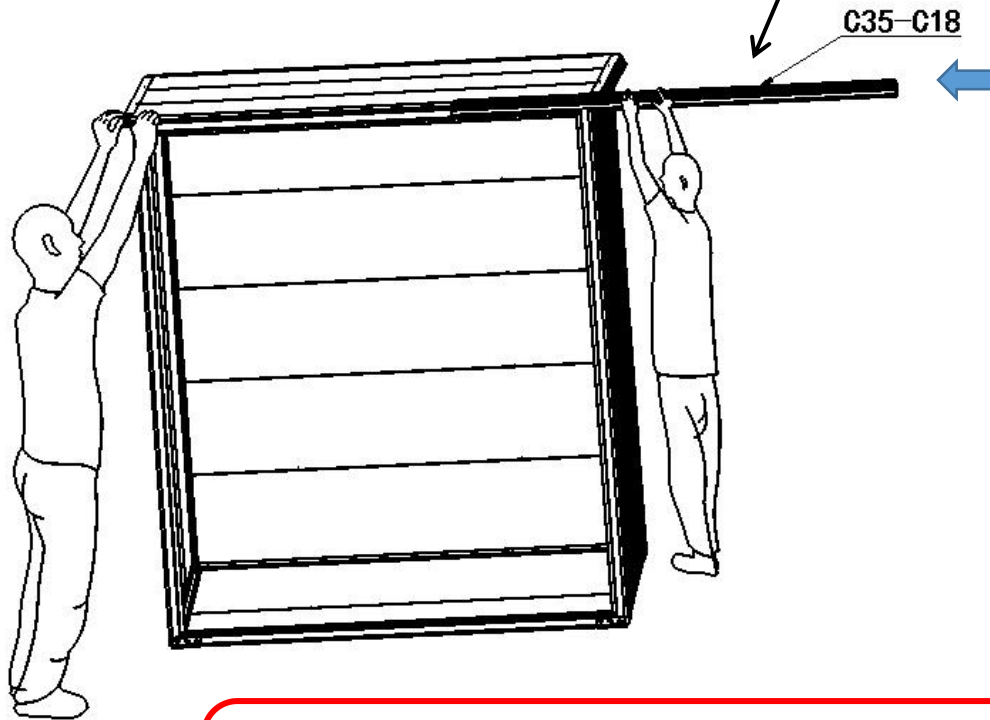
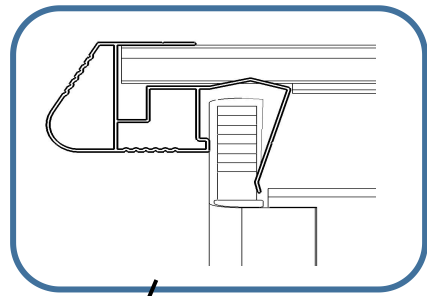




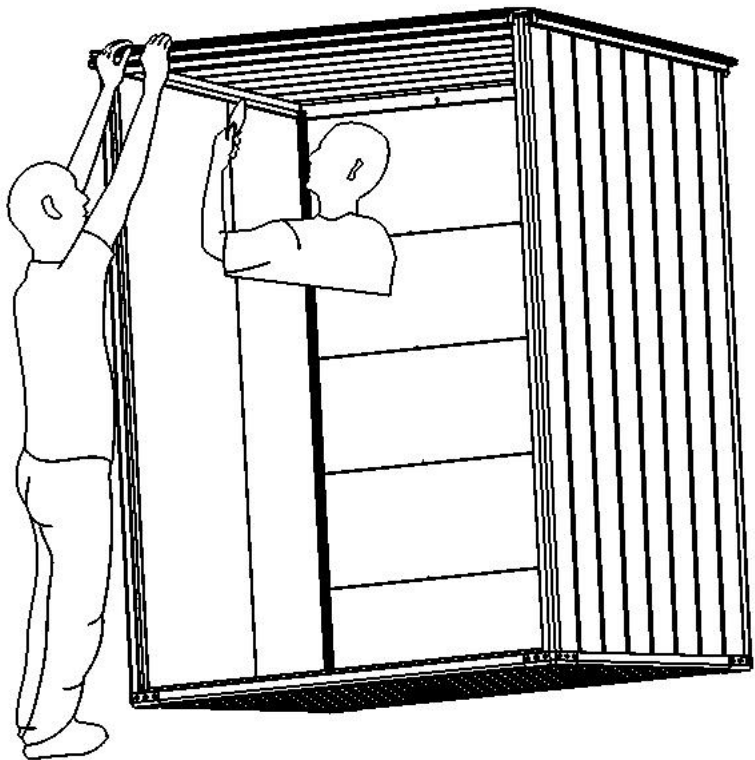
23	C35-C19  X2	
-----------	--	--

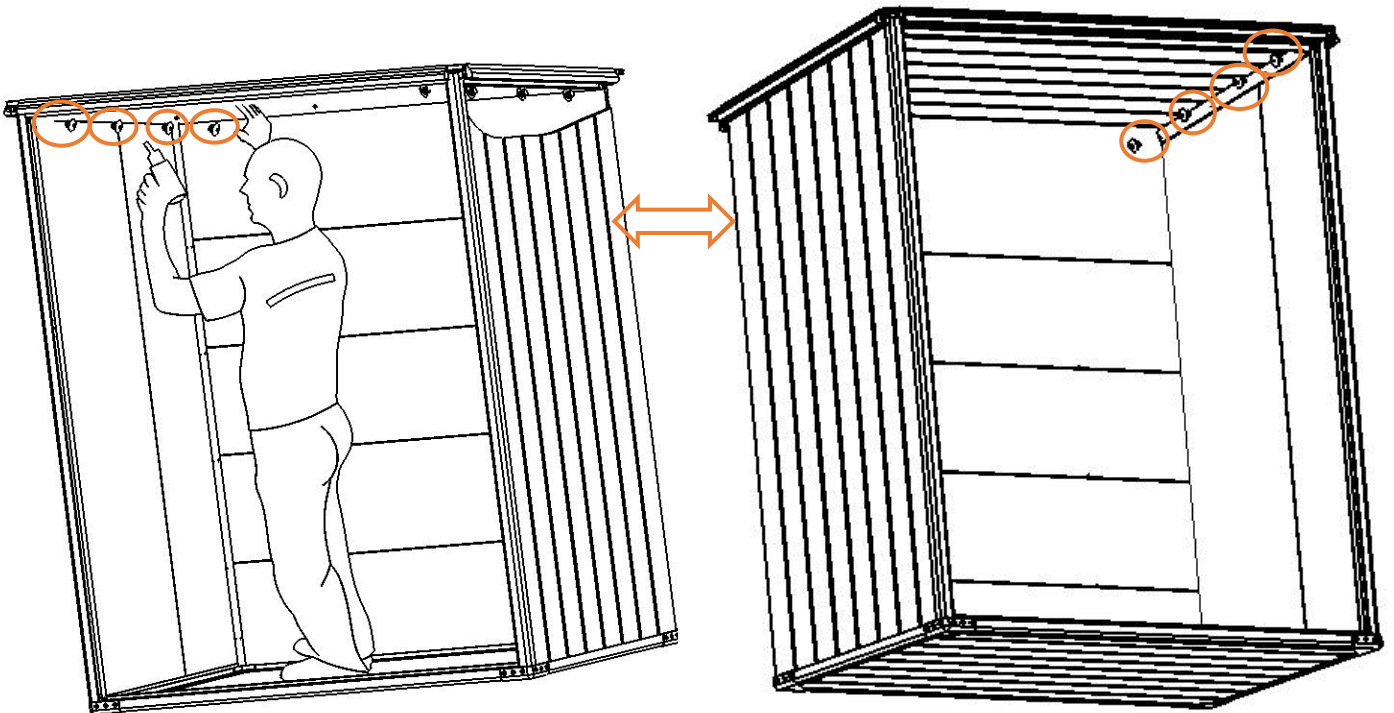
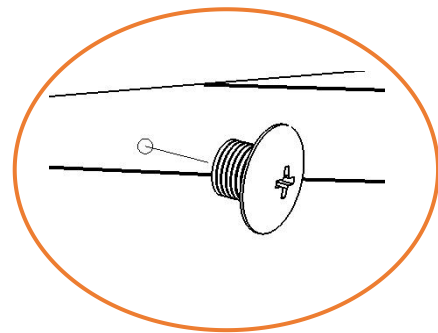
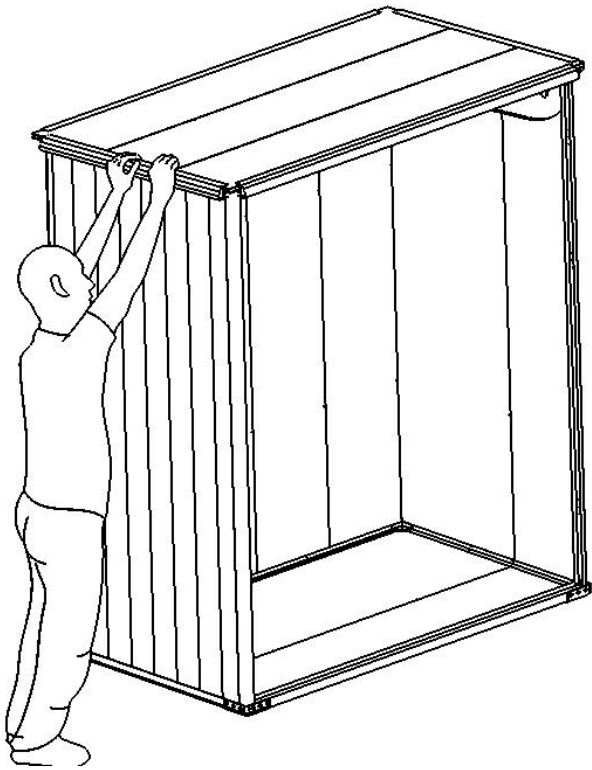
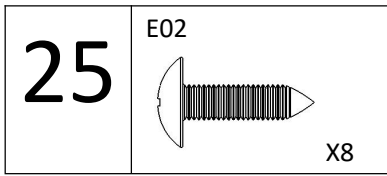


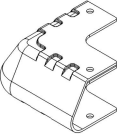


24	C35-C18  X1
----	--

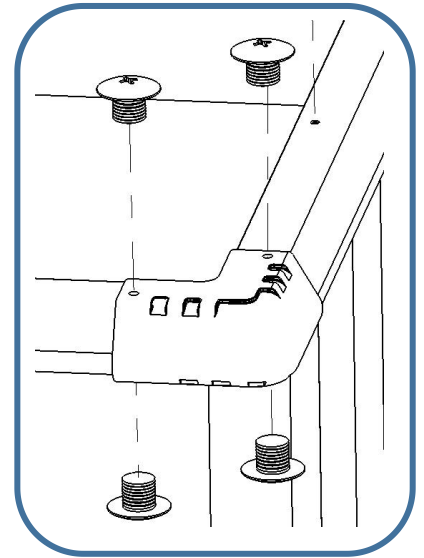
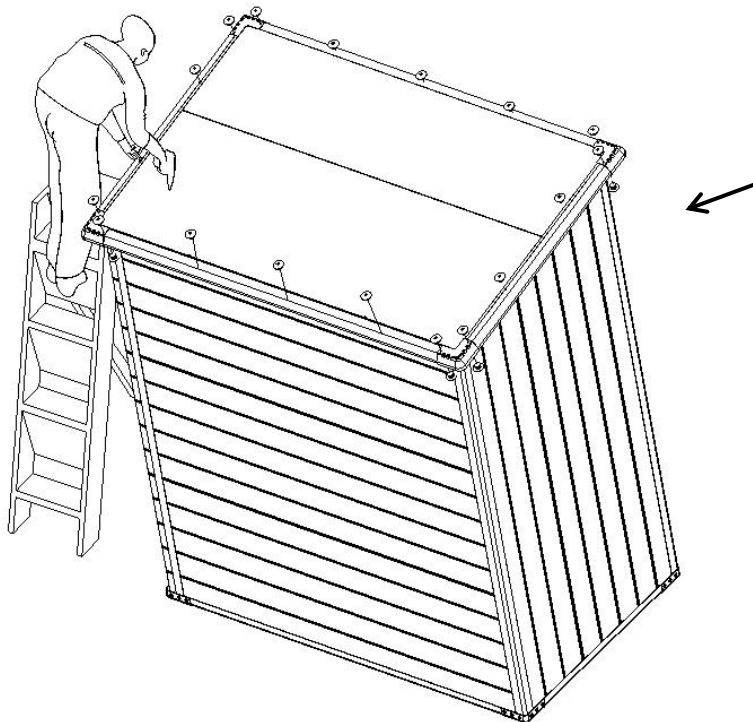
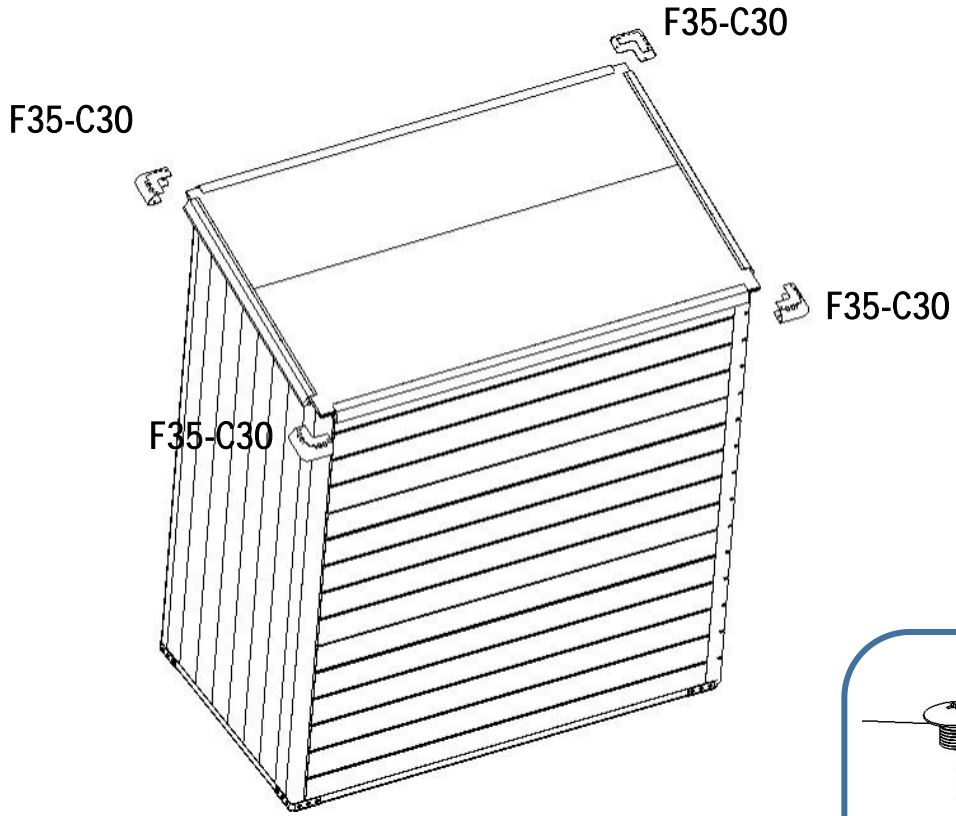


 **USE RUBBER KNIFE TO HELPING ASSEMBLY**

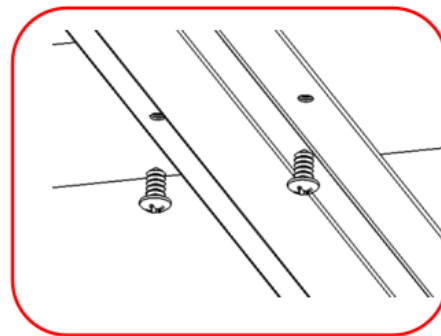
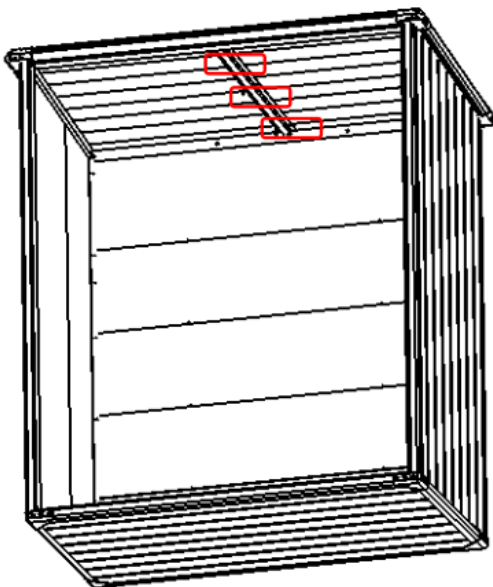
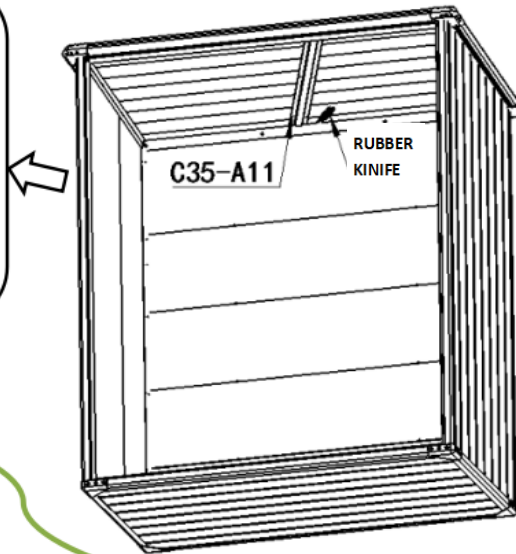
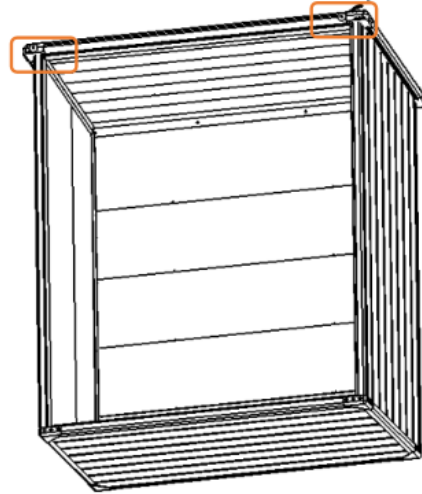
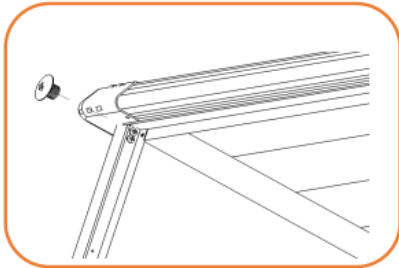




<h1>26</h1>	<p>F35-C30</p>  <p>X4</p>	<p>E02</p>  <p>X28</p>	<p>C35-A11</p>  <p>x1</p>
-------------	--	---	---

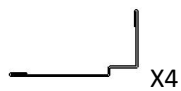


E02

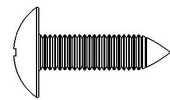


27

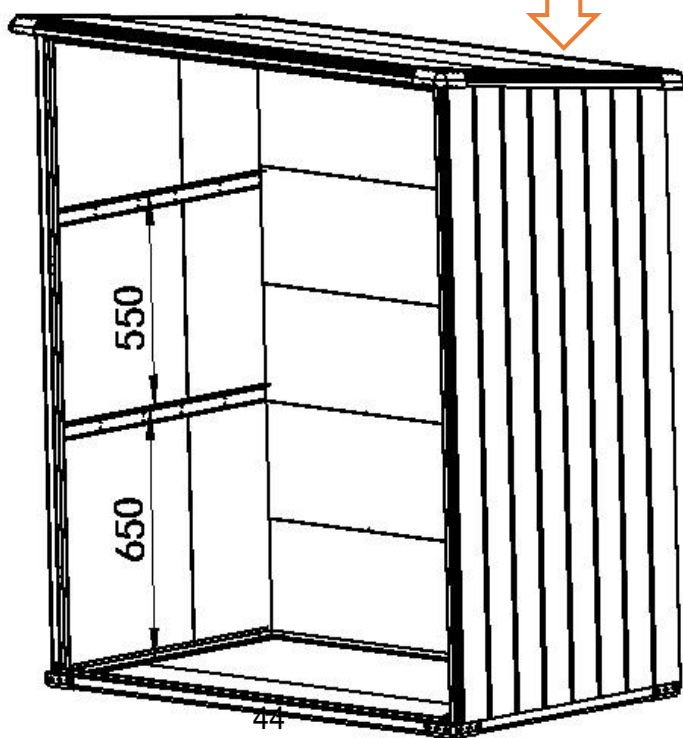
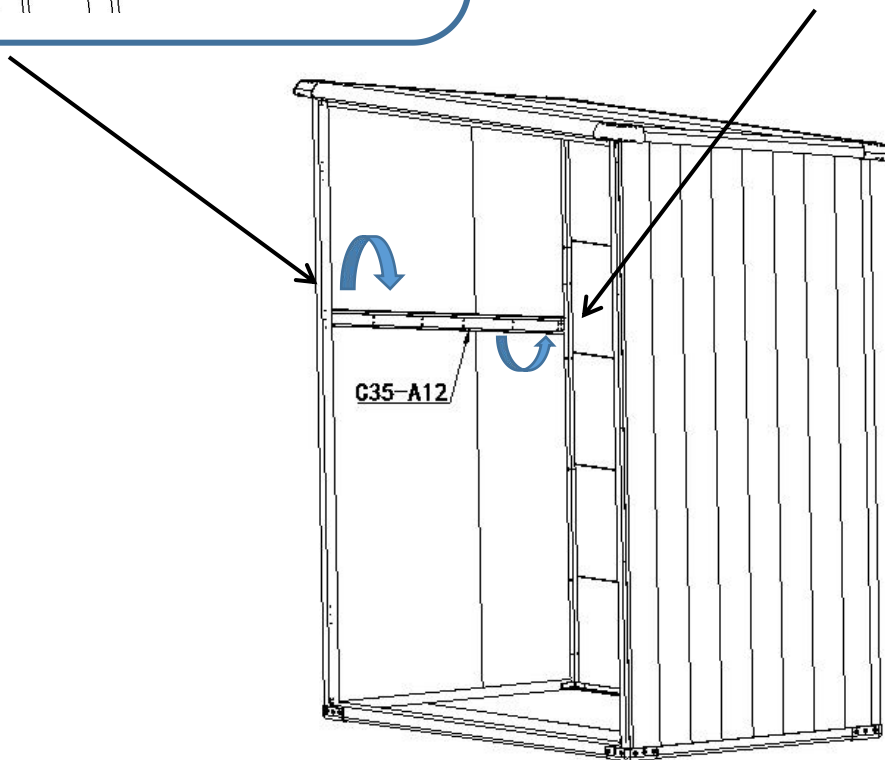
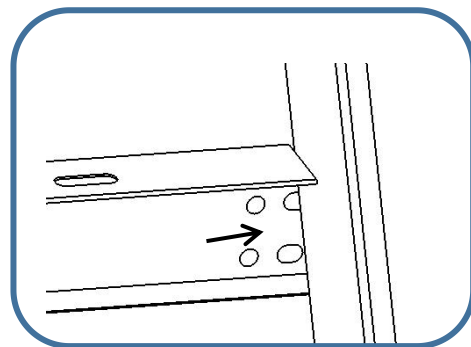
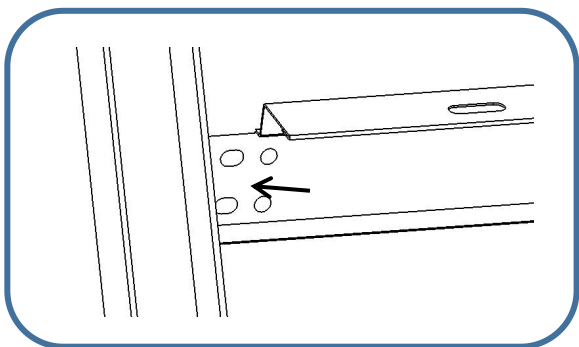
C35-A12

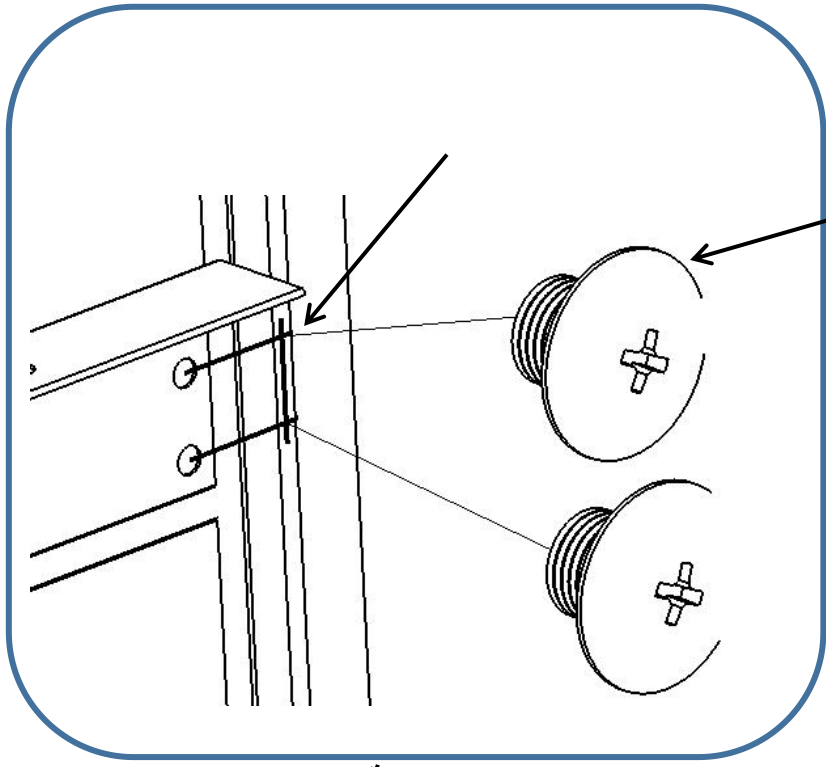


E02

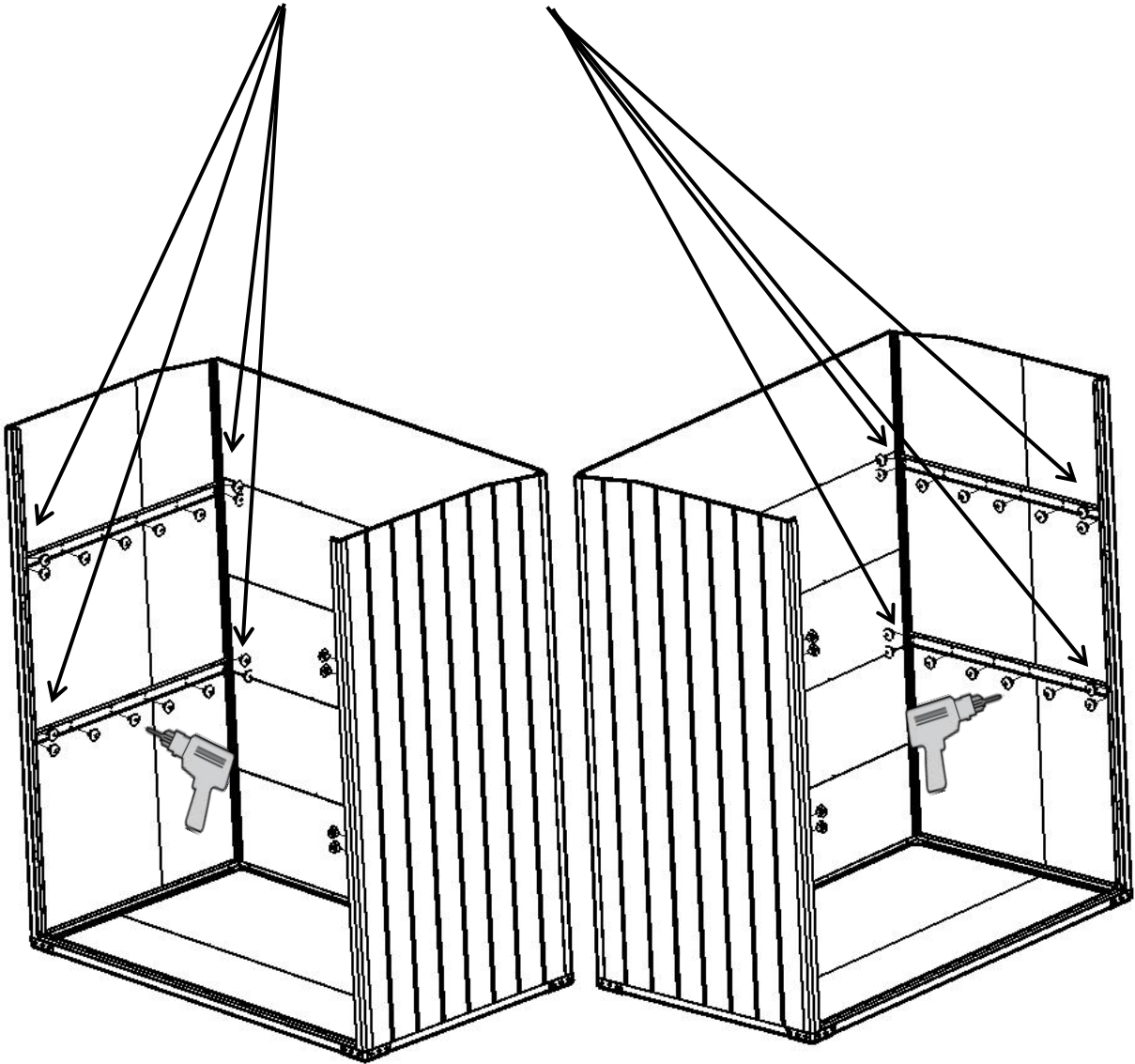


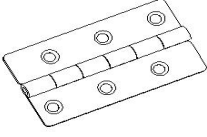
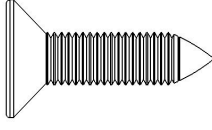
X32

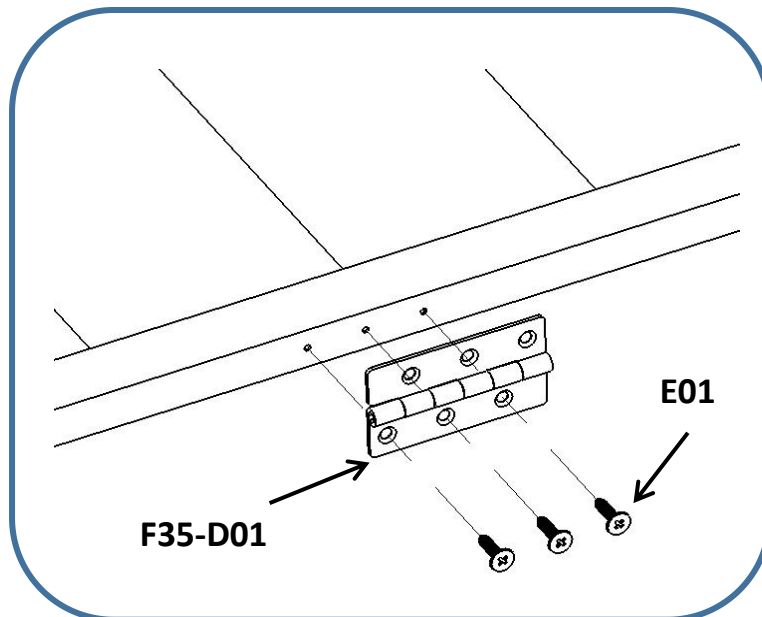
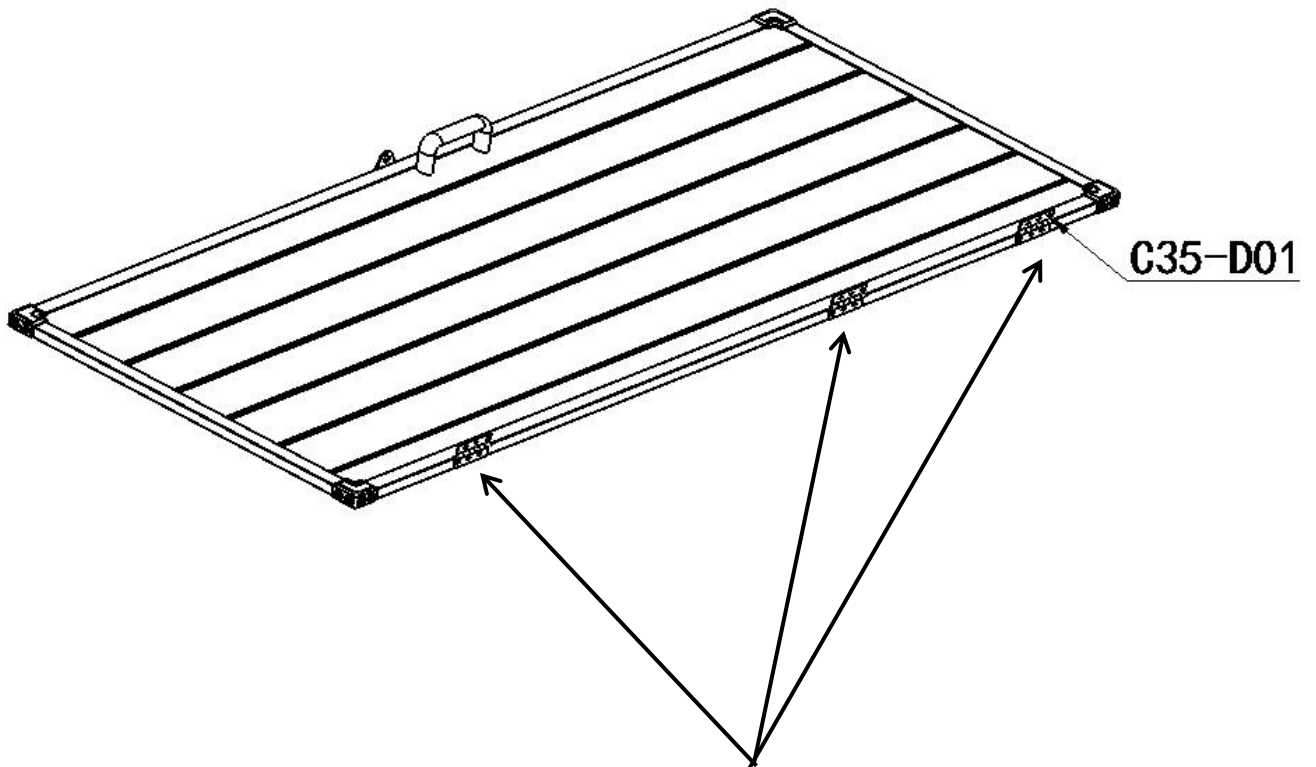




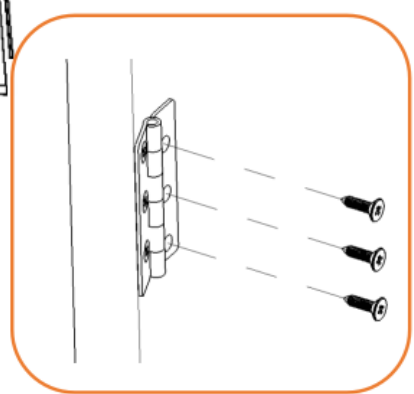
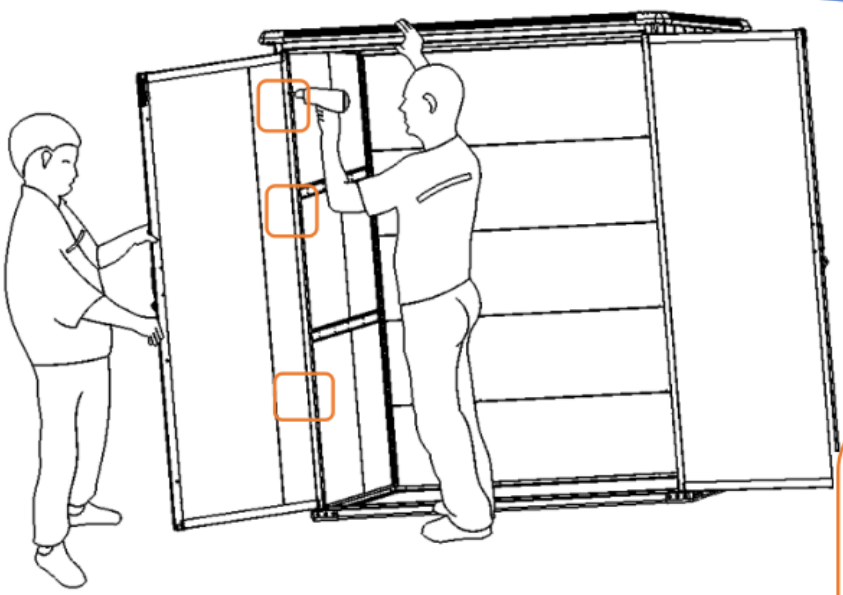
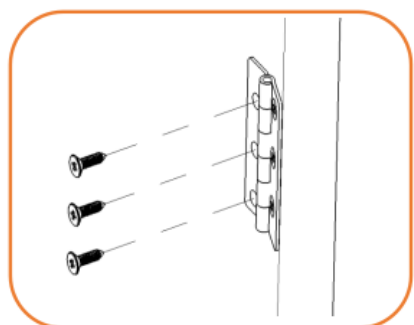
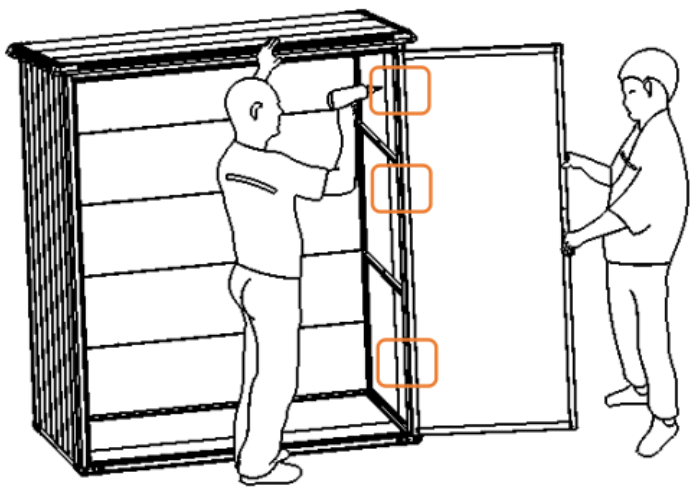
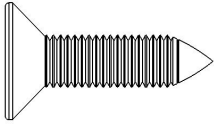
E02

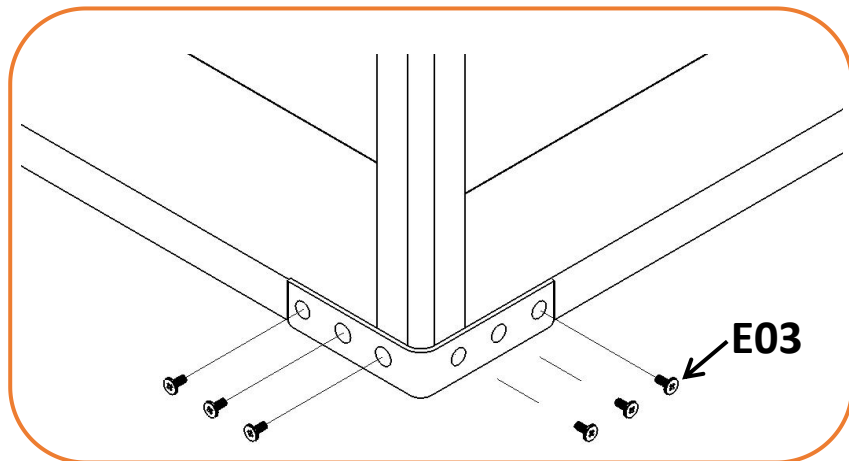
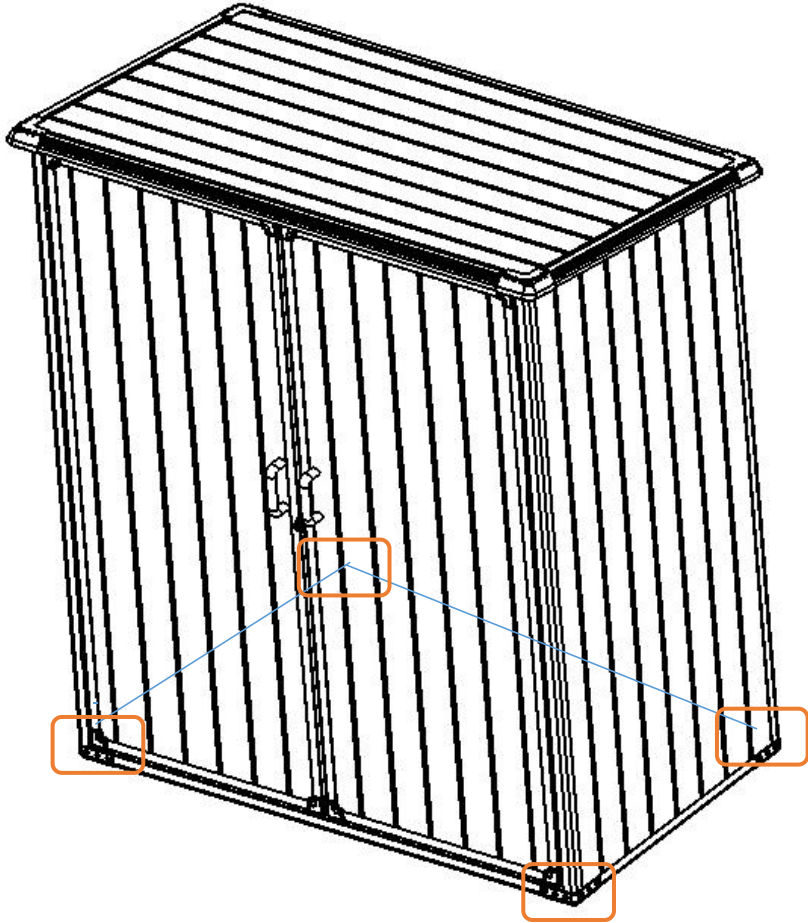
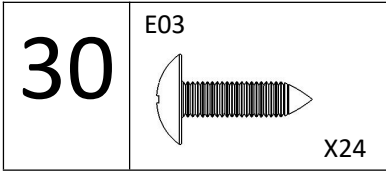


<h1>28</h1>	F35-D01	E01
	 X6	 X18



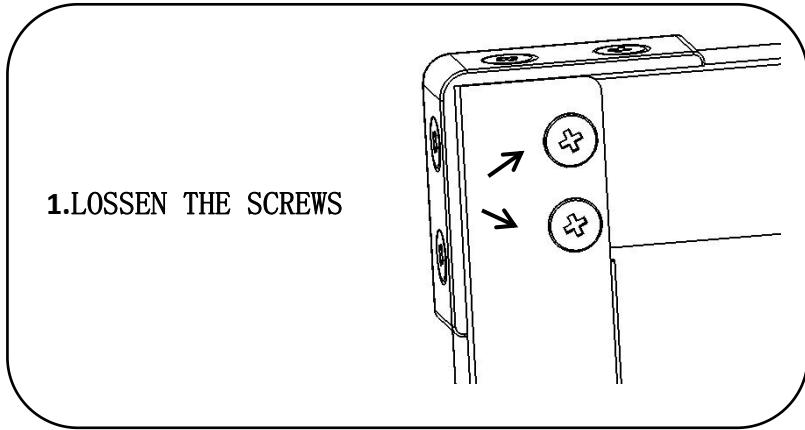
<h1>29</h1>	E01	
	X18	





ATTENTION!!!

When the door is not vertical or parallel after installation, please make appropriate adjustments according to the following figure



2.If the door corner is tilted upward, press the corner with your hand, pull it upward slightly, and lock screws.

3.If the door corner is tilted down, hold the corner with your hand, pull it upward slightly, and lock screws.

