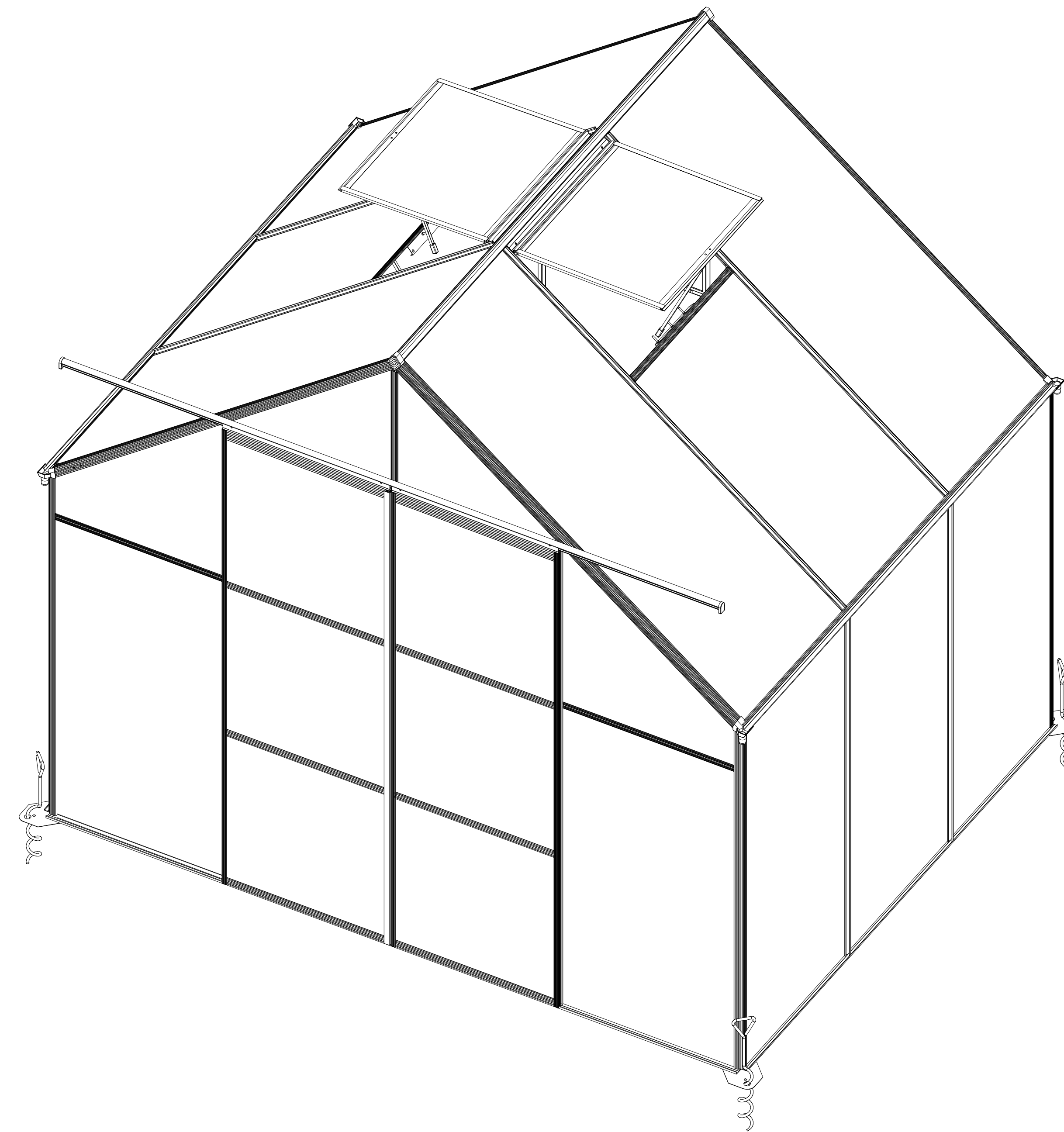


Greenhouse 6'x8'ft Assembly Instructions

NA190-BM



IMPORTANT

You must read these instructions carefully before you start to assemble this greenhouse. Please ensure that you find all parts in the carton box in the correct type and quantity as mentioned in the list illustrated in every page accordingly.

Please carry out the steps in the order set out in these instructions.

Do not tighten the steps in the greenhouse until completing on the assembly of the poly carbon ate panels.

Keep these instructions in a safe place for future reference.

SAFETY ADVICE

We strongly recommend the use of work gloves during assembly.
Do not attempt to assemble the greenhouse in windy or wet conditions,
Do not touch overhead power cables with the aluminum profiles.
Always wear shoes and safety goggles when working with extruded aluminum.
Dispose of all plastic bags safely-keep them out of reach of small children.
The greenhouse must be positioned and fixed on a flat level surface.
Do not lean against or push the greenhouse during construction.
Keep children away from the assemble area.
Do not position your greenhouse in an area exposed to excessive wind.
Do not attempt to assemble this greenhouse if you are tired ,have taken drugs or alcohol
or if you are prone to dizzy spells.
If using a step ladder or power tools ensure that you follow the manufactures safety advice.
Hot items such as recently used grills, blowtorches etc.must not be stores in the greenhouse.
Ensure there are no hidden pipes or cables in the ground before inserting the pegs.

GENERAL ADVICE

This is a multi-part assembly, Allow at least 220 minutes for assembly.
Selecting a site-choose a sunny level position away from overhanging trees.
If you are fixing your greenhouse directly to a solid concrete foundation use the pre drilled
holes in the metal base supplied.
The component parts should be checked and laid out close at hand.
Keep all small parts (screws etc)in a bowl so they do not get lost.
Note that the door is hinged on the right hand side and therefore opens tothe right.
Keep roof clear of snow and leaves.

CARE & MAINTENANCE

When your greenhouse needs cleaning, use a mild detergent solution and risen
with cols clean water.
Do NOT use acetone, abrasive cleaners or other special detergents to clean the
clear panels.

TOOLS & EQUIPMENT REQUIRED

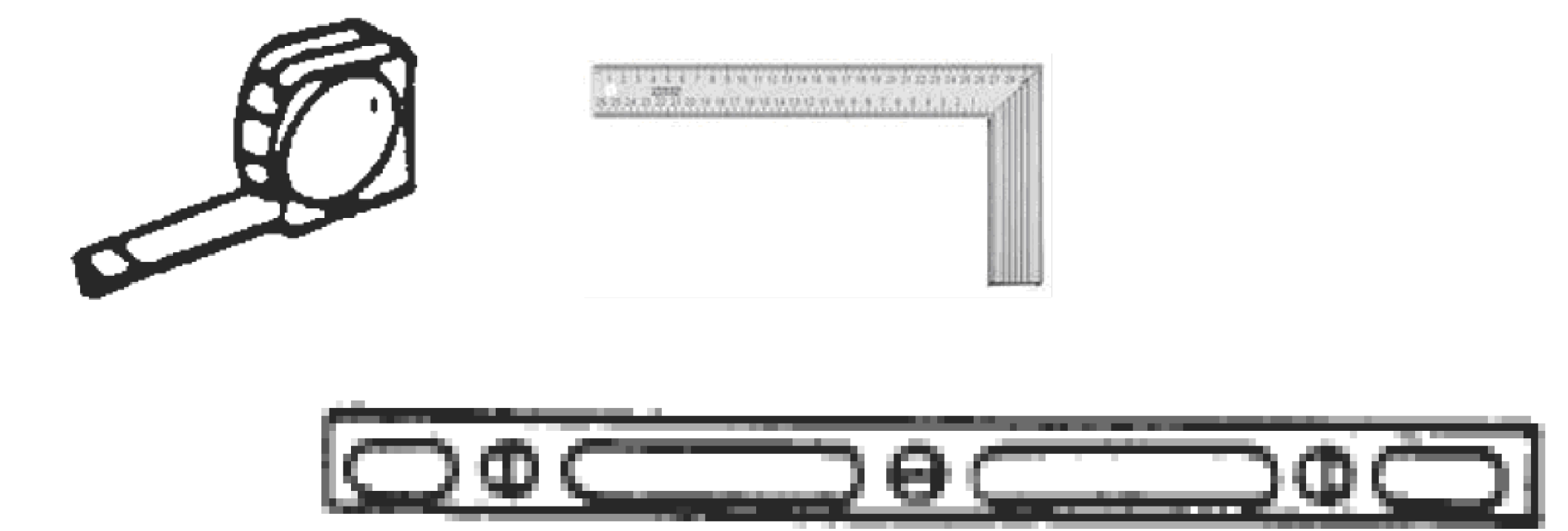
Protective Equipment:

- 1.Helmet
- 2.Glove
- 3.Long Sleeve Cotton Overalls
- 4.Emergency Medicine Cabinet
- 5.Eye Shield



Measure (metric):

- 1.The Tape (5 m)
- 2.Angle Square
- 3.Level Meter



Installation Tool:

1. Triangle Stairs≈1.5m Height
2. Spanner 10mm (Ratchet Wrench is better)
3. Electric screwdriver+10mm hex bolt sleeve(suggest)
4. Wooden Mallet
5. Marking Pen
6. Silicon
7. Knife
8. Phillips screwdriver



Silicon

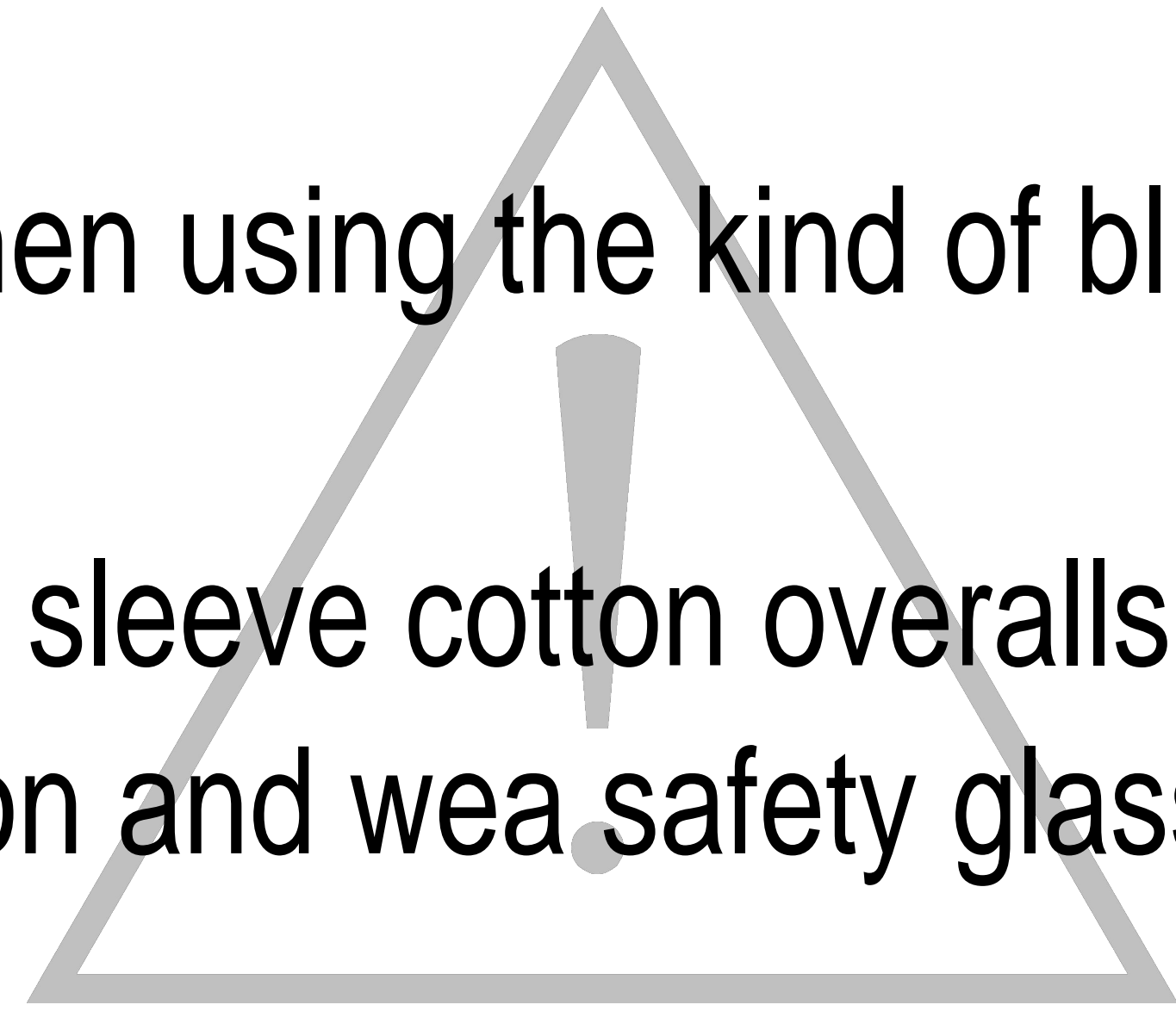
PRODUCT SIZE

Firstly, make sure a good installation location.

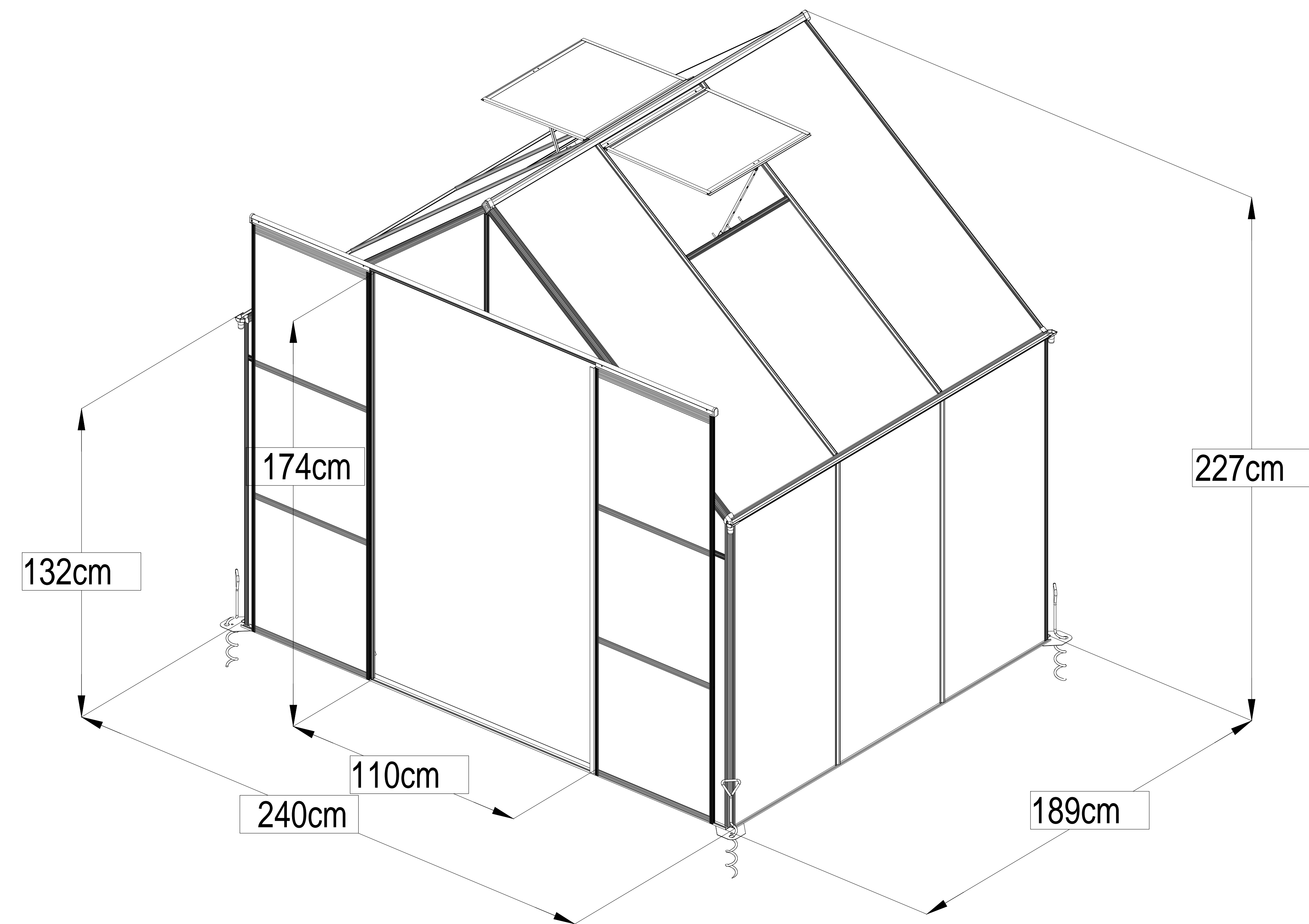
Find a flat ground which is 2 times bigger than the Green house before installation.

OTHER CAUTIONS

1. 3-4 people required, one is for measuring & taking marks to ensure the installation dimension, the second person is responsible for the installation and the last one do as assistant and assure the safety.
2. High-power electric tools are required, ensure the normal work of them and highly pay attention to electric safety.
3. Be careful when using the kind of blunt tools, like hammer.
4. Wearing long sleeve cotton overalls, gloves and helmet during installation and wear safety glasses when using power tools.
5. No up watching when working height, or the drop screws may hurt your eyes and suffocation causing accidentally when fall into your mouth.
6. No climbing, No standing on the tent to avoid falling down.
7. If injured, please rush him/her to a nearby hospital



NA 190-BM

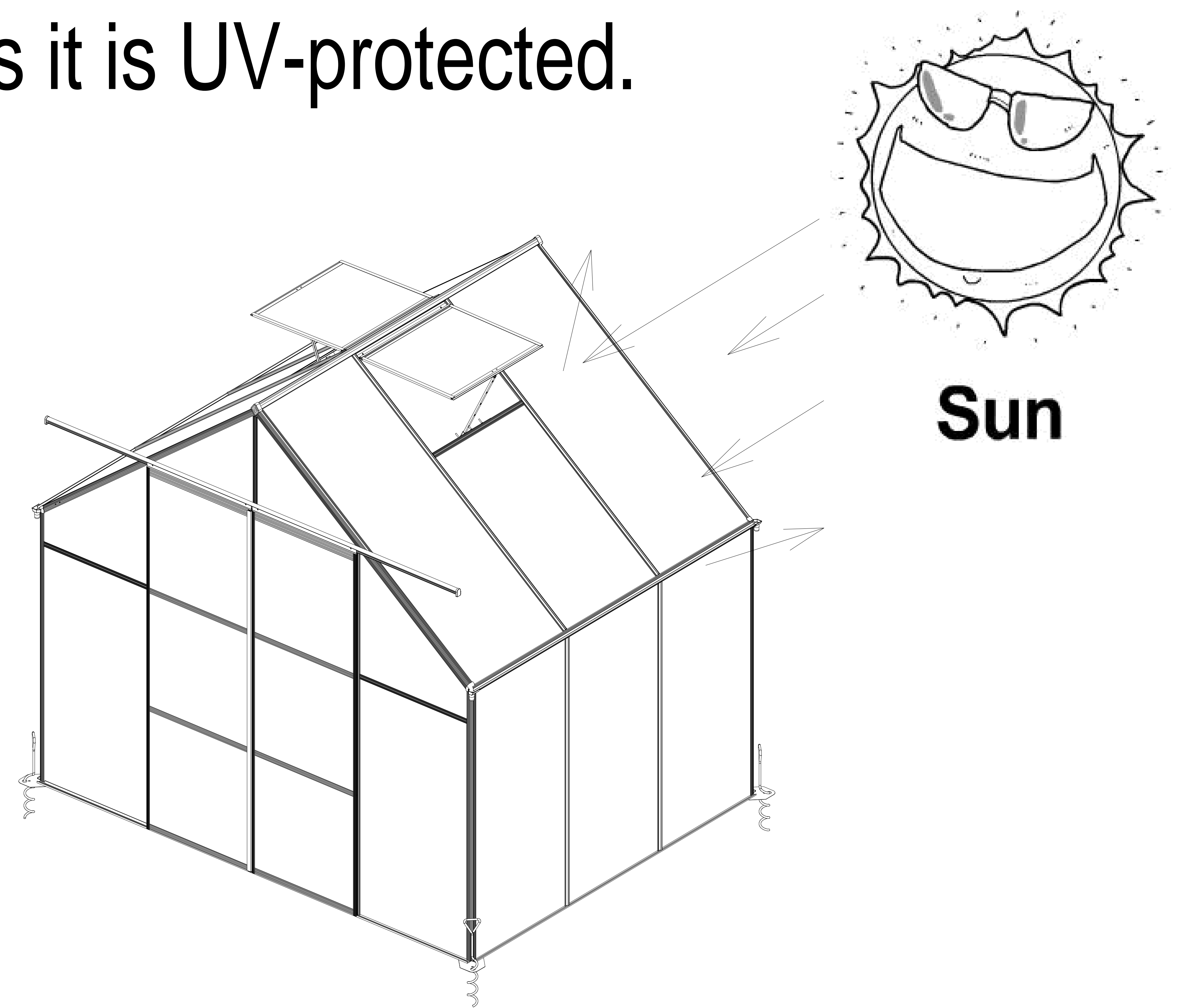
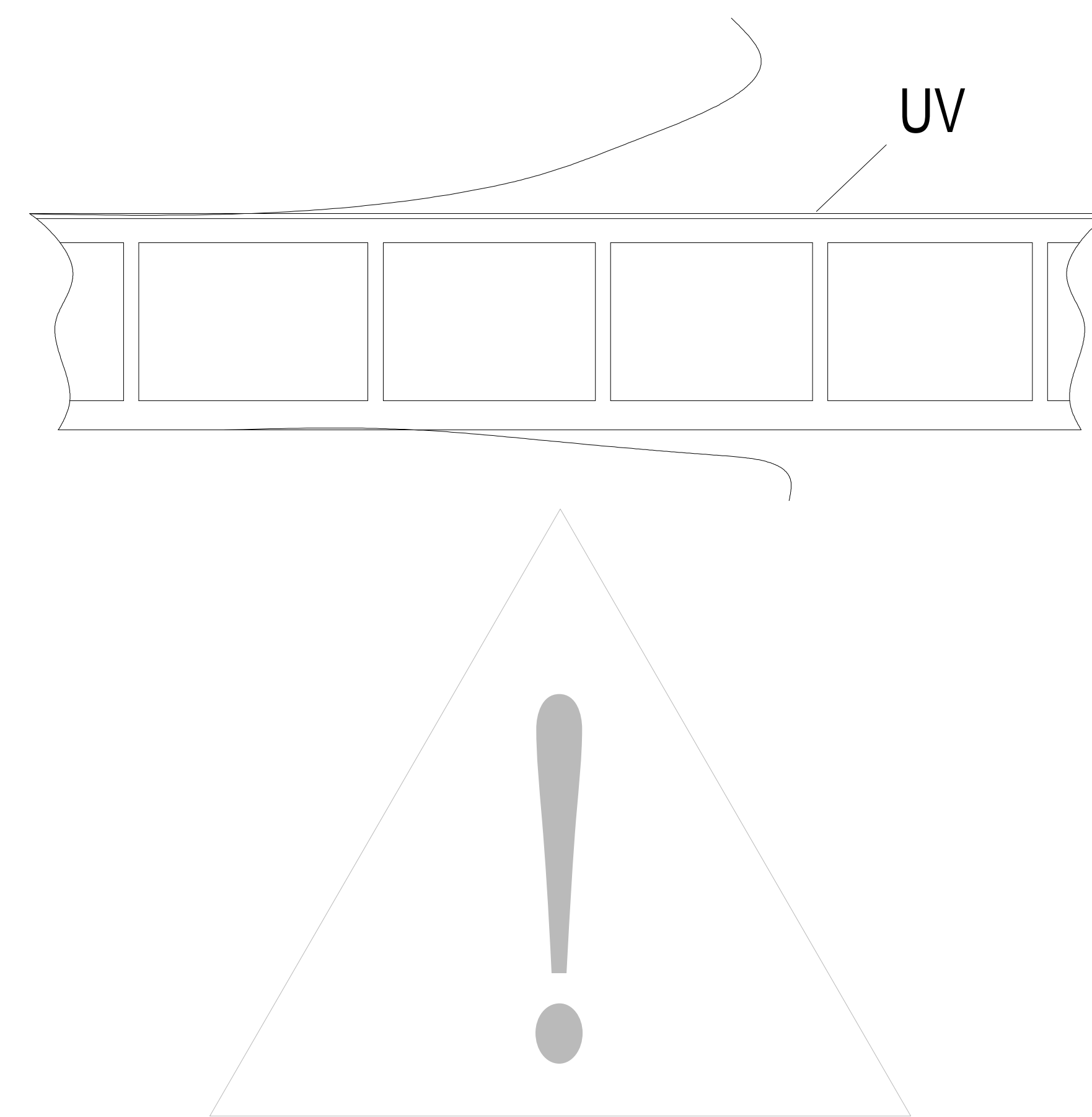
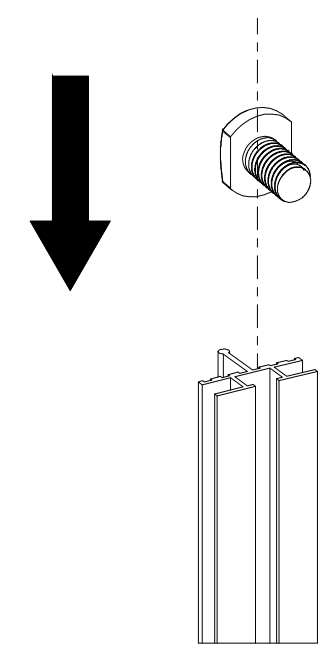


Towards the white film side to the sun as it is UV-protected.

Before you assemble this accessory, please pre-install screws to this accessory and the quantity for pre-install's screw, please refer to the details of each page's figure show.

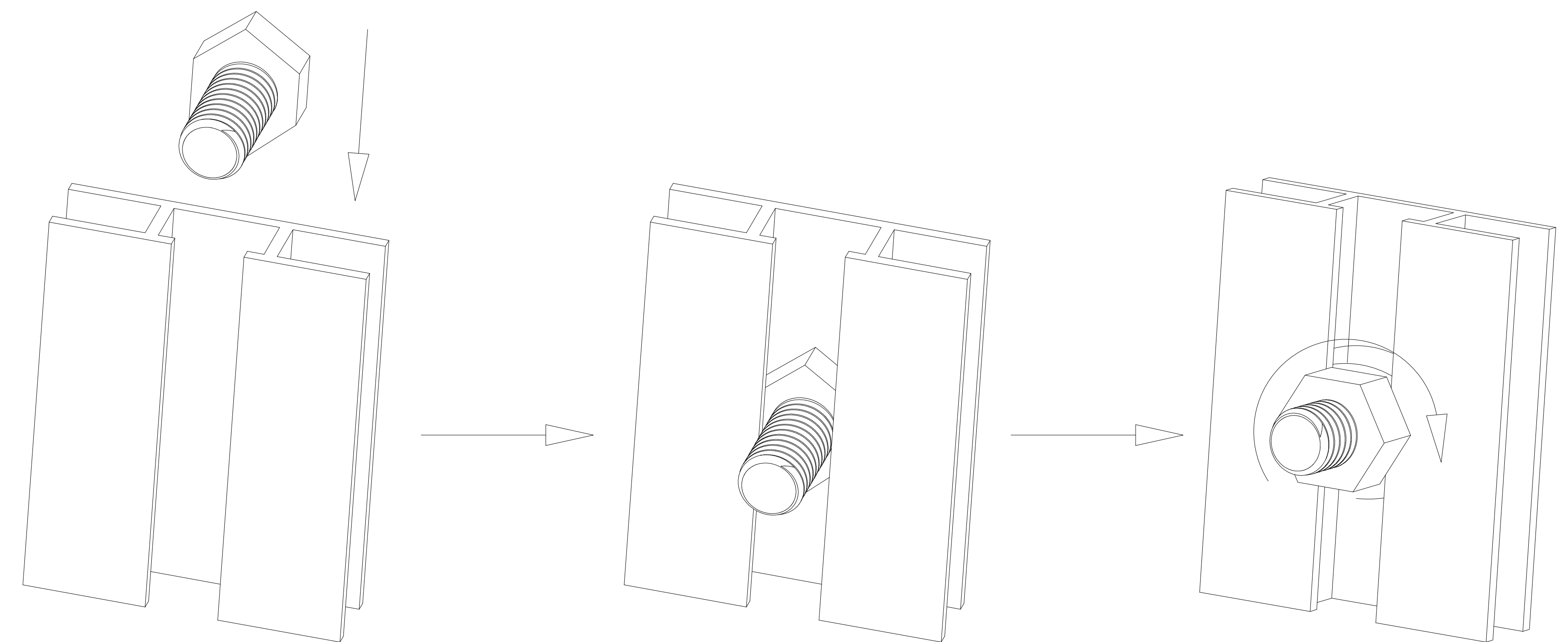
Pre-install

Page No.



"hexagonal screw" installation

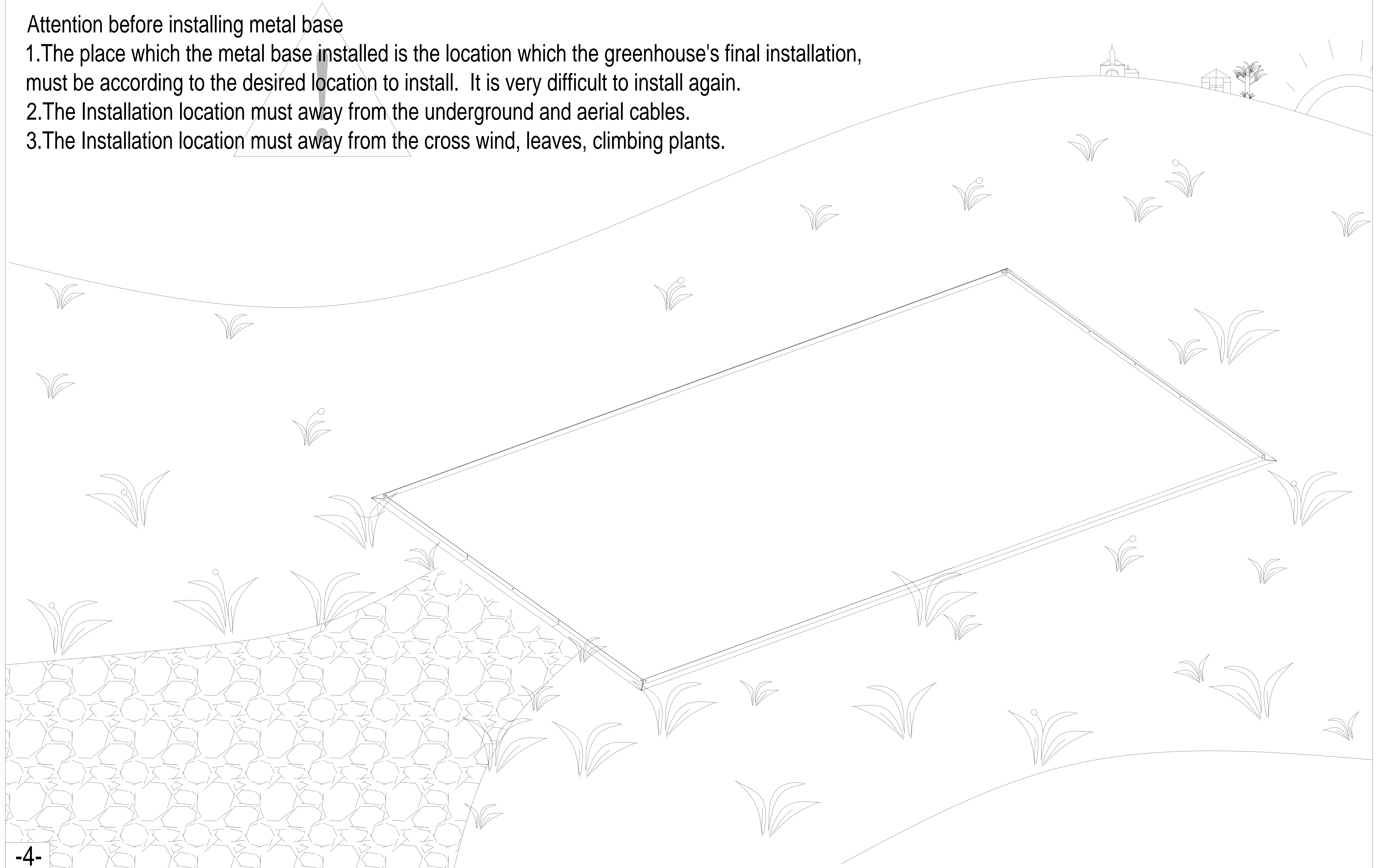
Place the "hexagonal screw" into the groove, turn clockwise until it stops turning.
Adjust the "hexagonal screw" by hand and twist so threads fix it in place.
Place other parts on "hexagonal screw" and assemble nut .



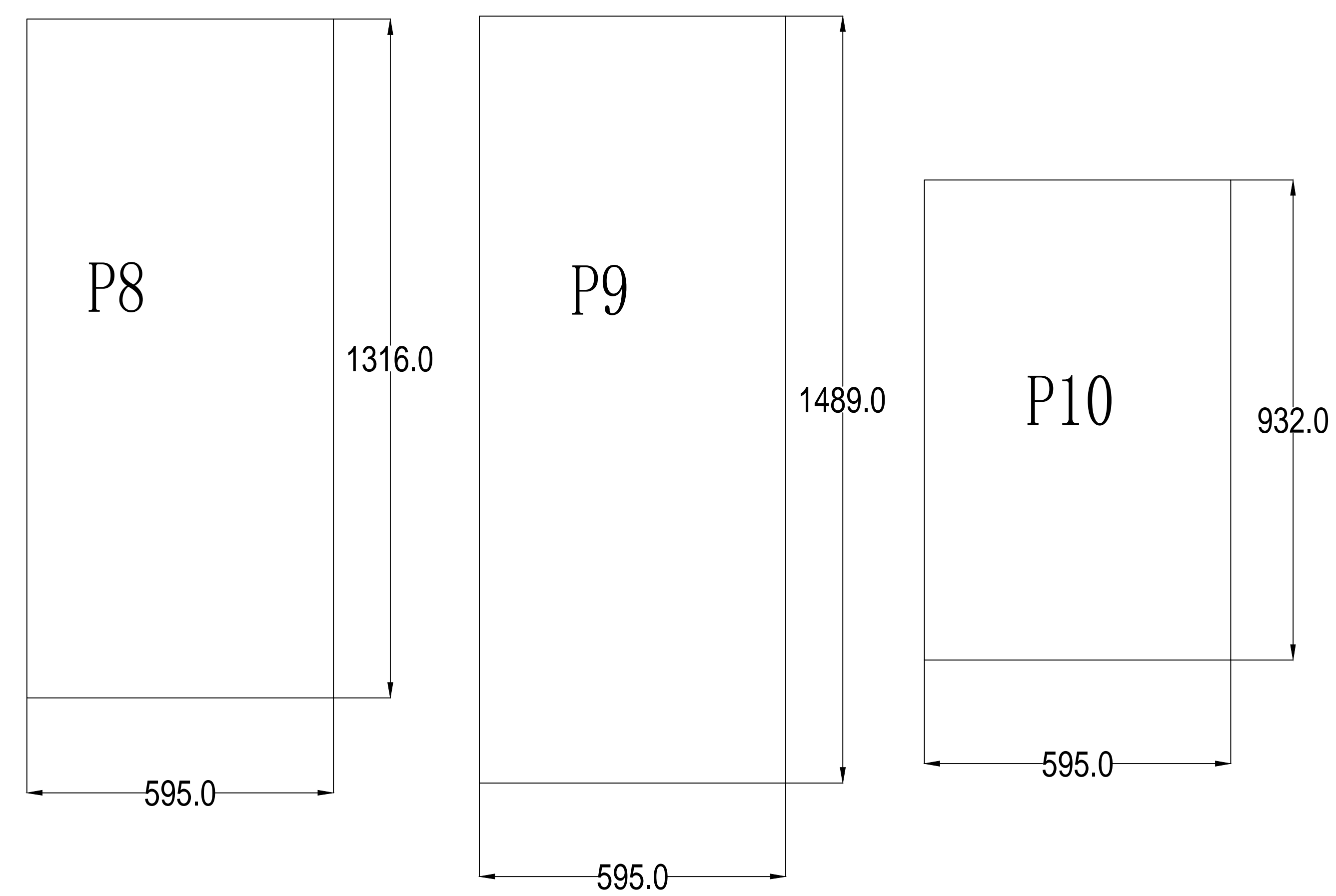
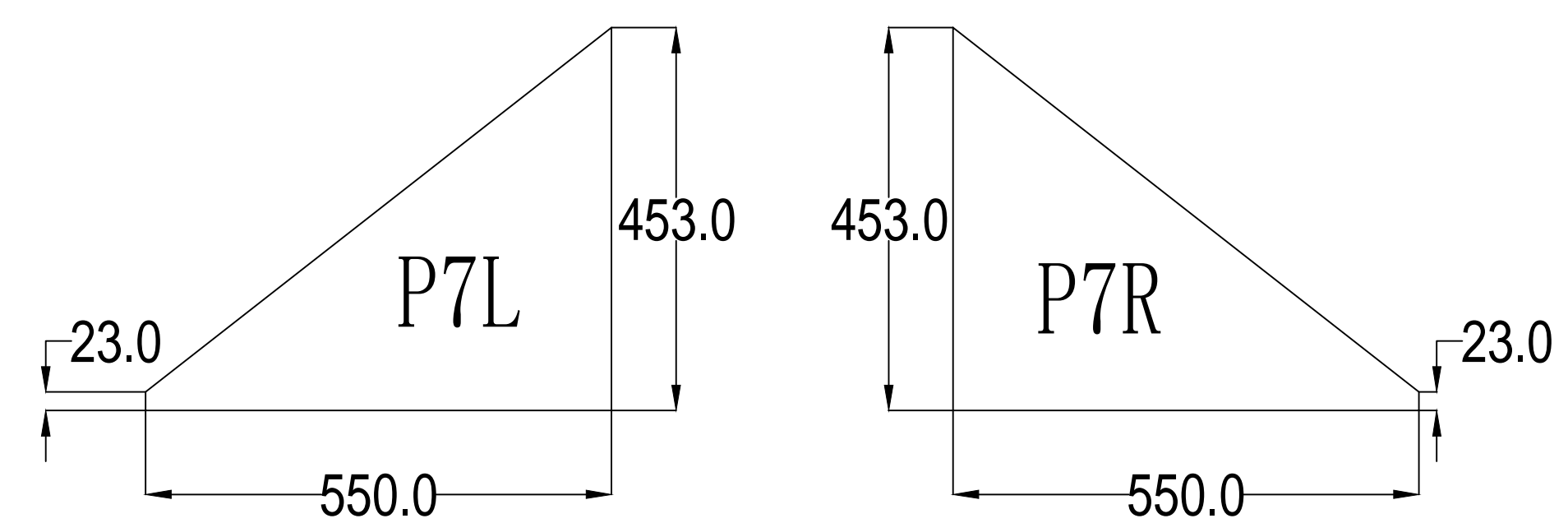
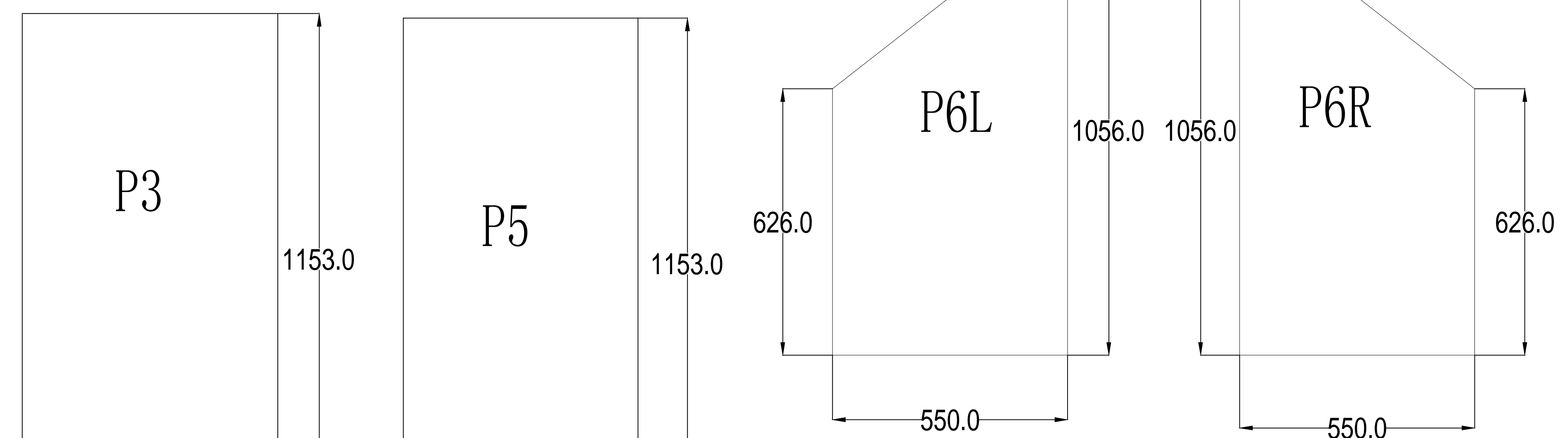
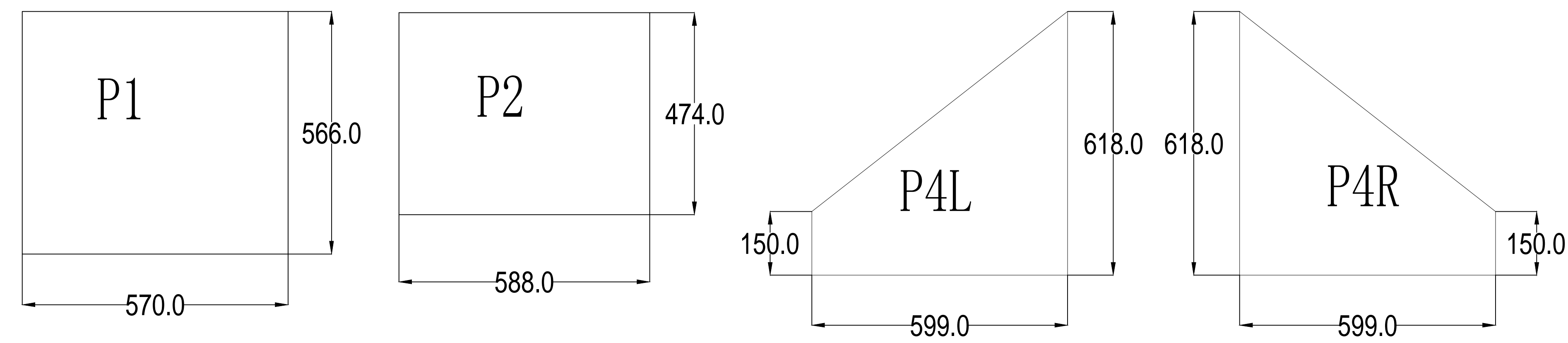
BASE

Attention before installing metal base

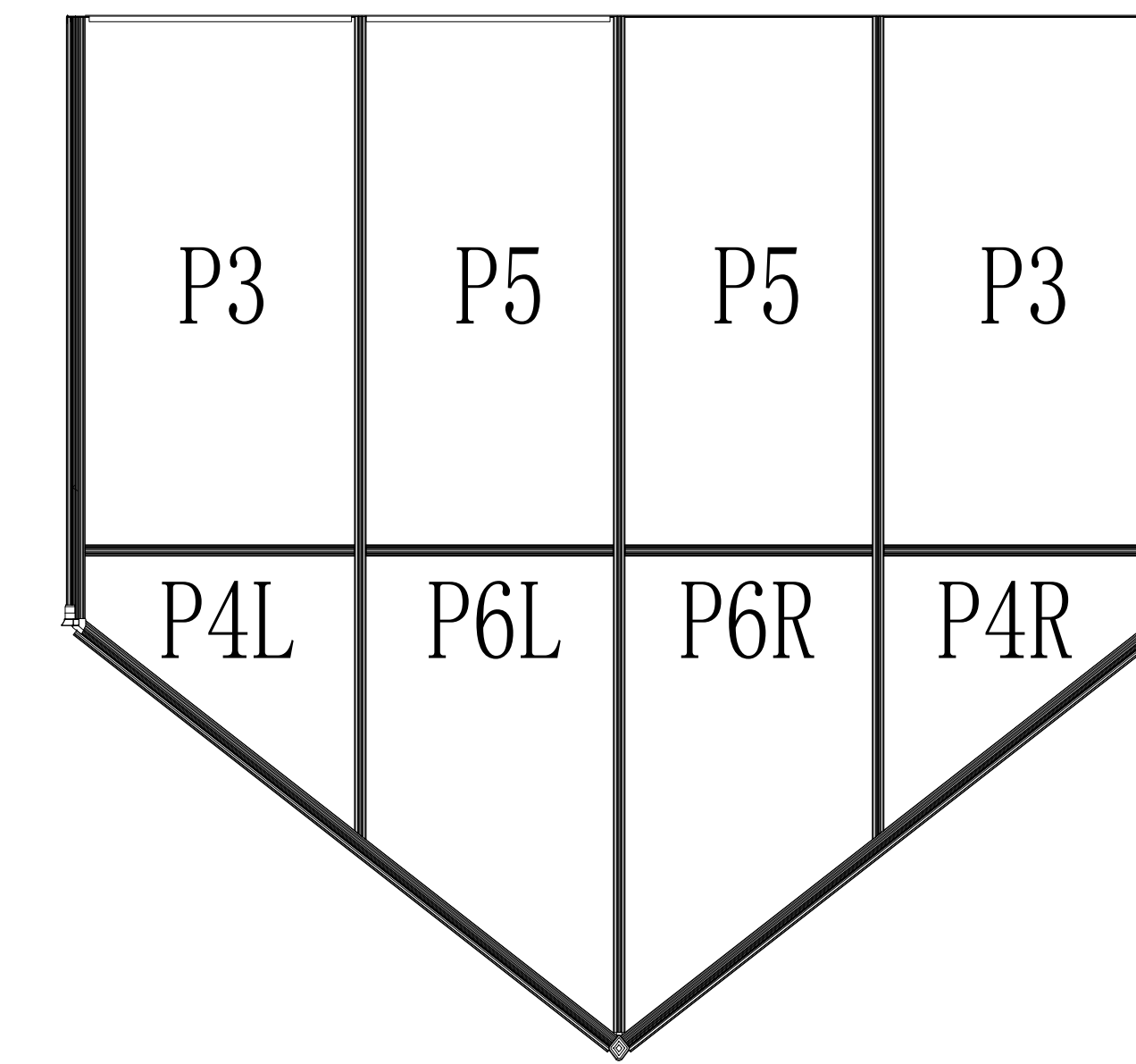
1. The place which the metal base installed is the location which the greenhouse's final installation, must be according to the desired location to install. It is very difficult to install again.
2. The Installation location must away from the underground and aerial cables.
3. The Installation location must away from the cross wind, leaves, climbing plants.



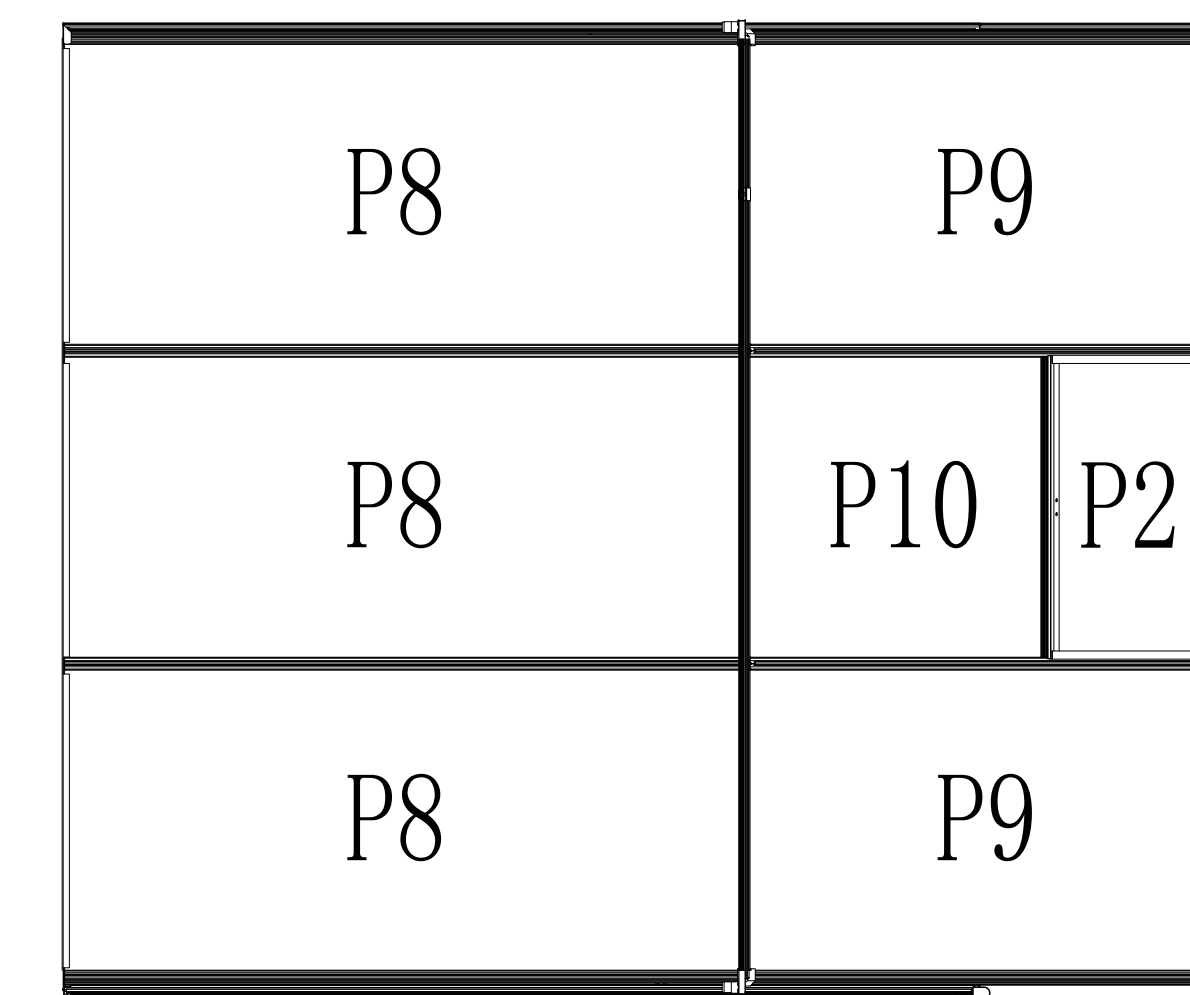
SUMMARY STATEMENT FOR POLYCARBONATE PANEL



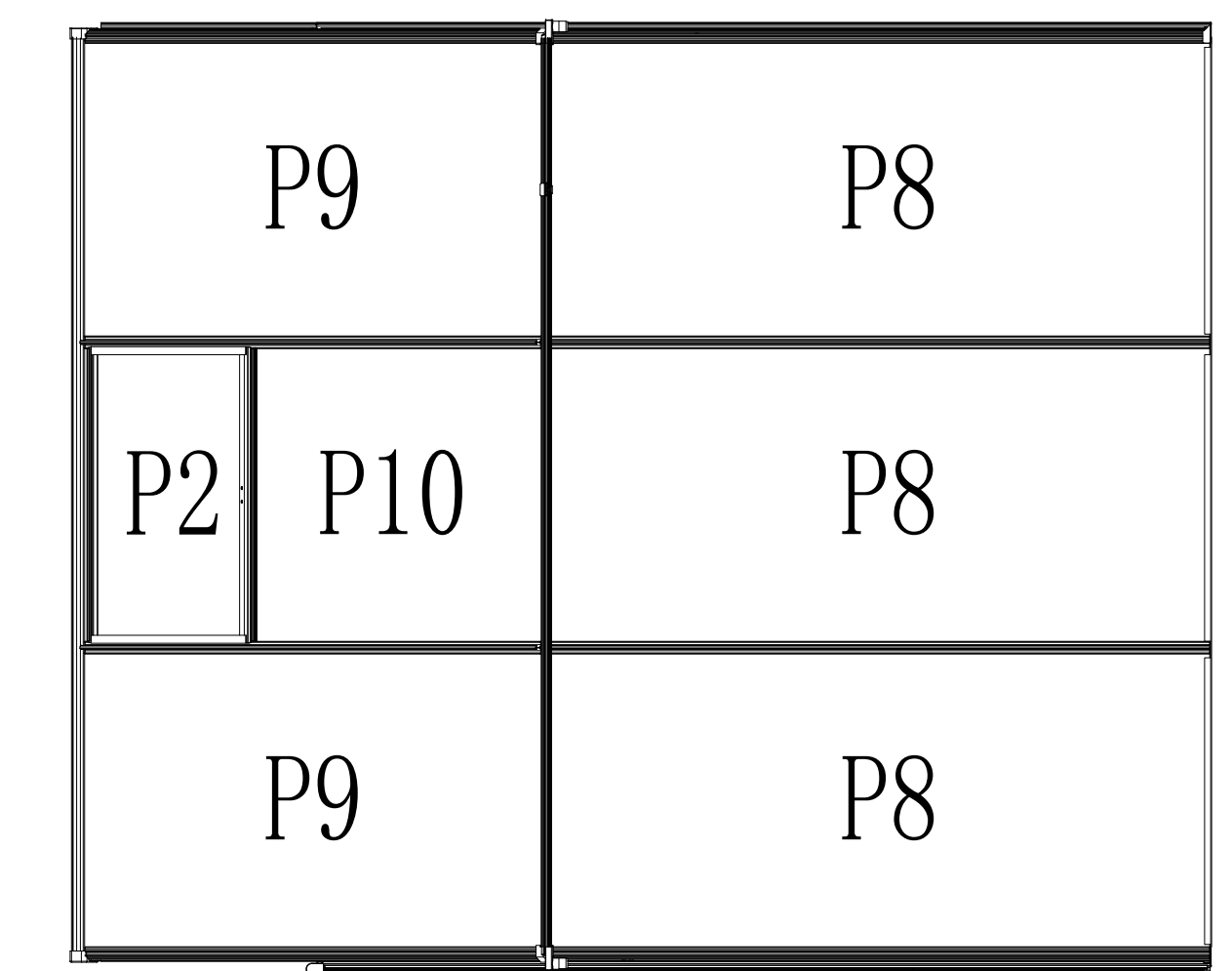
NO.	Qty.	NO.	Qty.
P1	6	P7L P7R	1/1
P2	2	P8	6
P3	4	P9	4
P4L P4R	2/2	P10	2
P5	2		
P6L P6R	1/1		



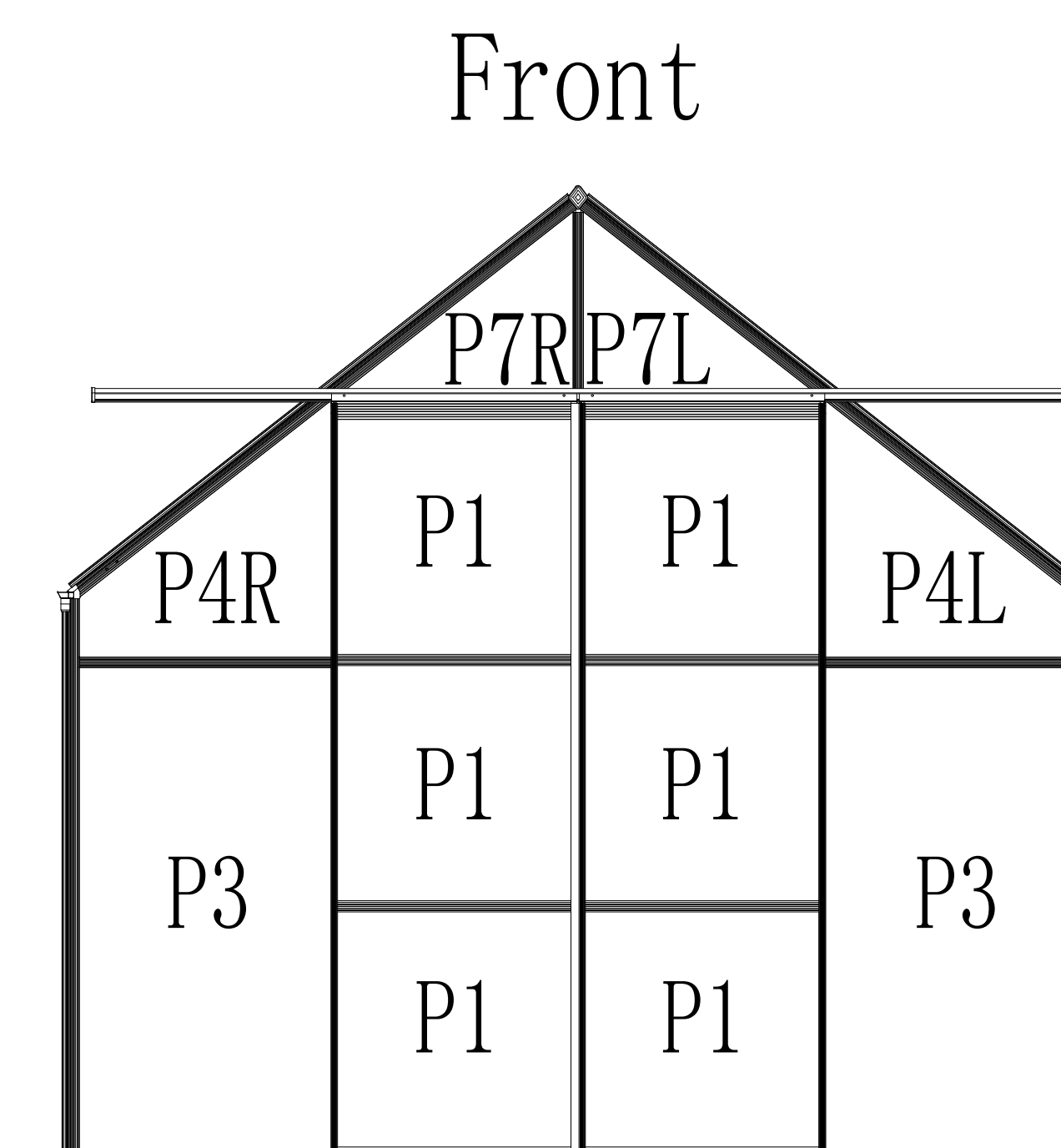
Back



Left



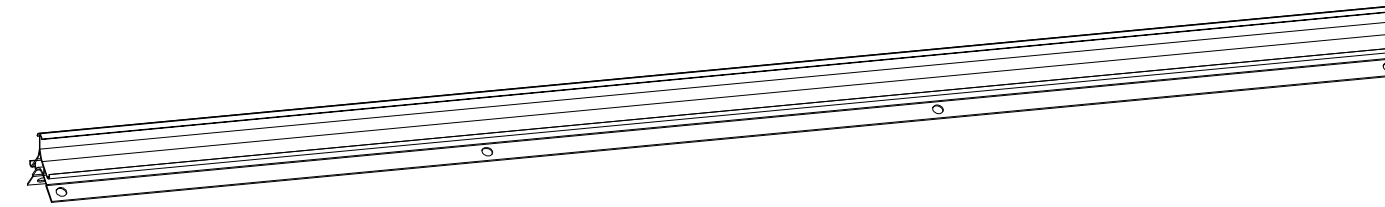
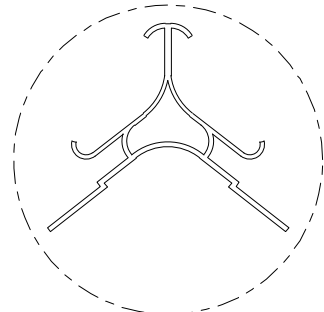
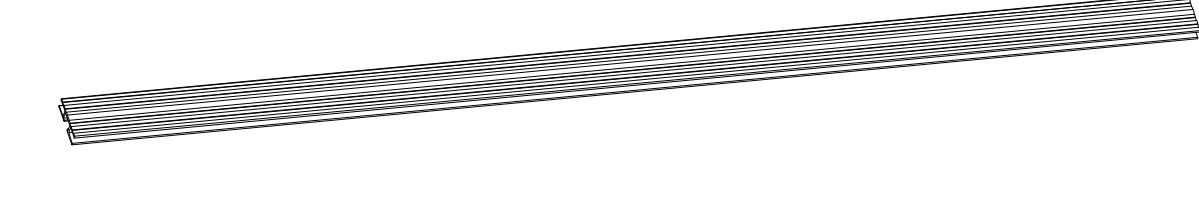
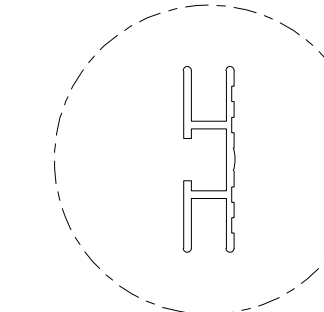
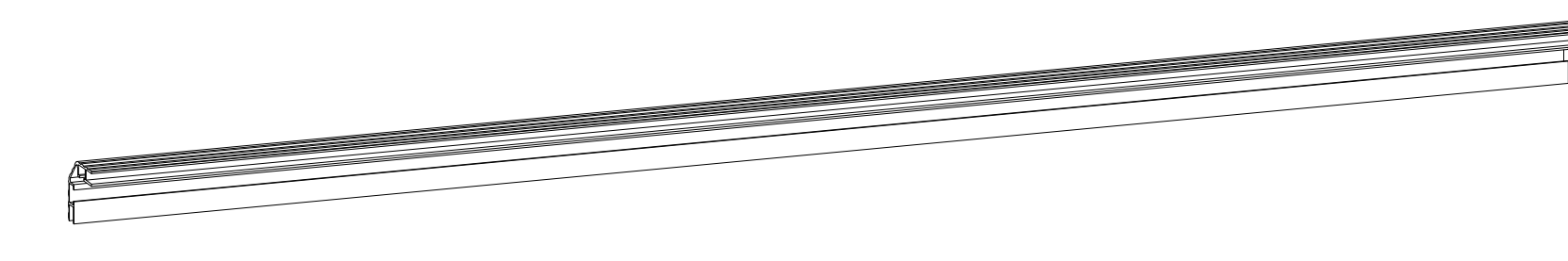
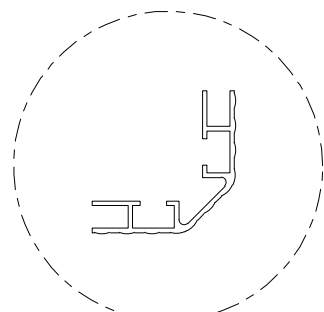
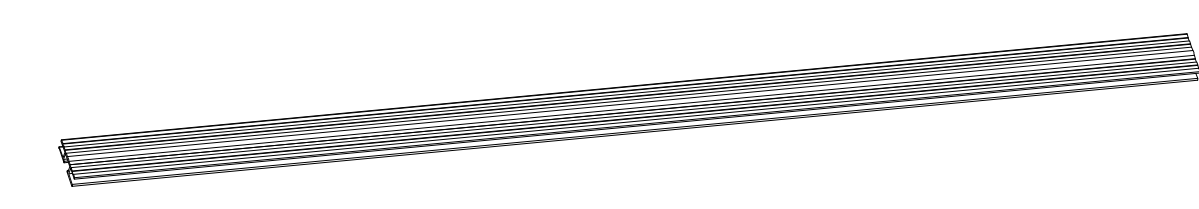
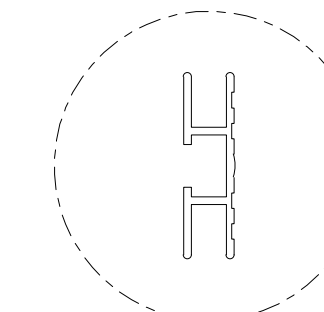
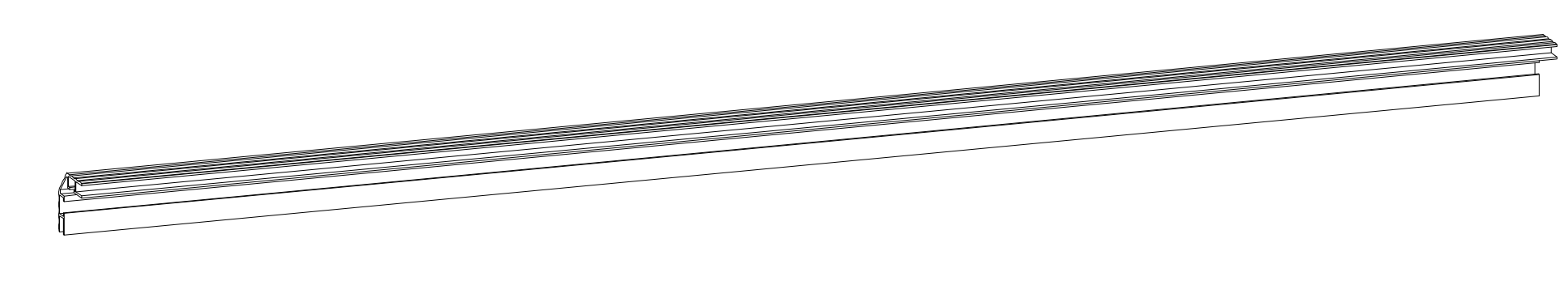
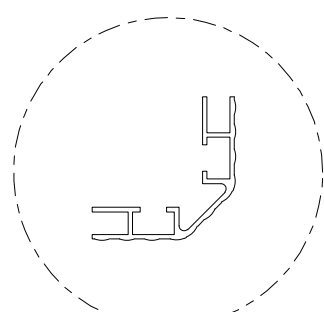
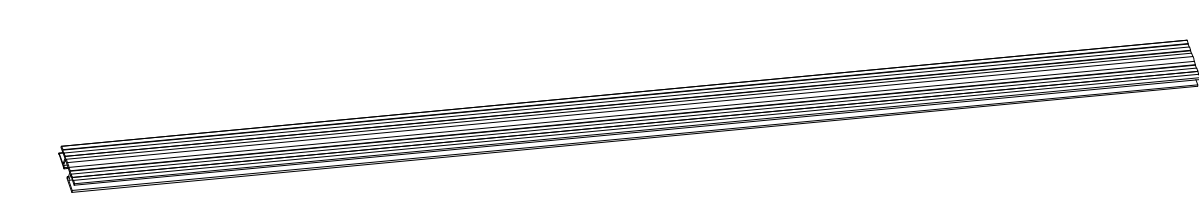
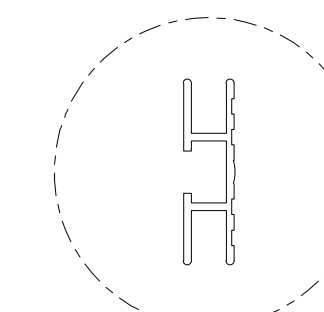
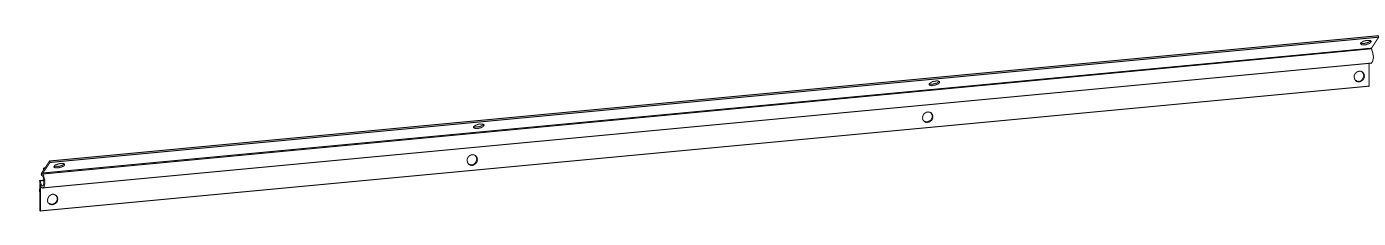
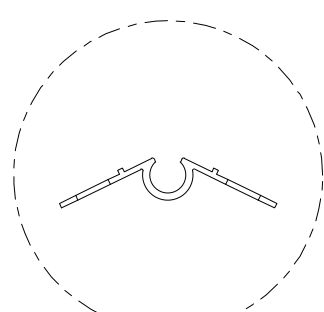
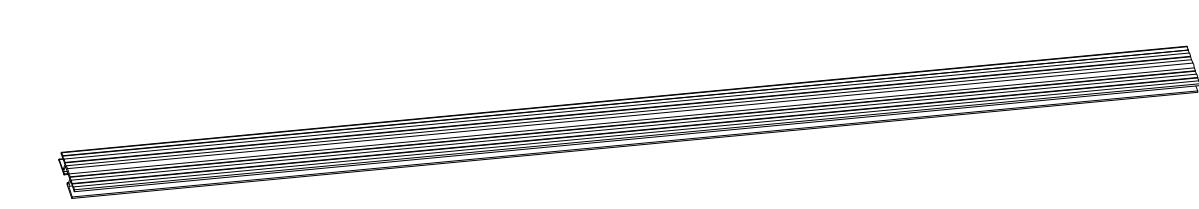
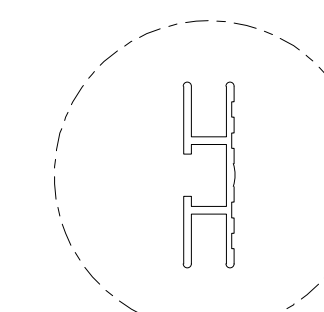
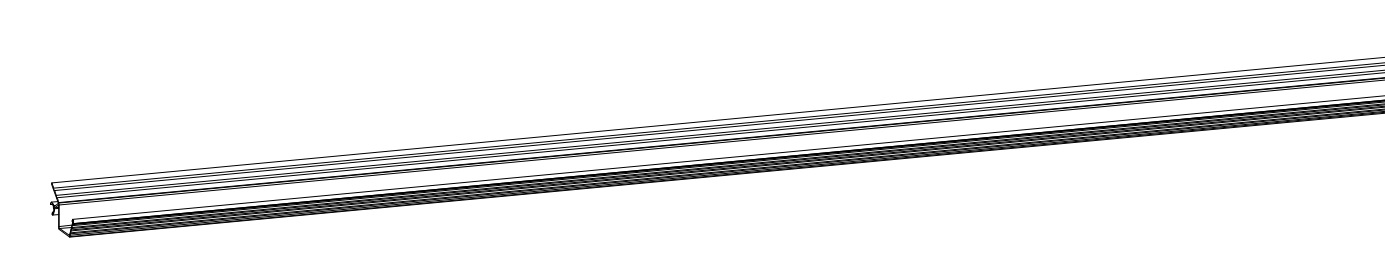
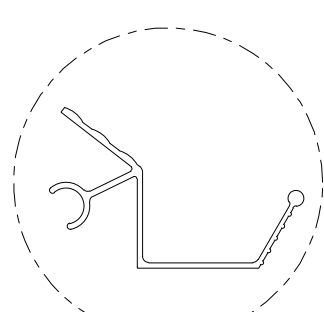
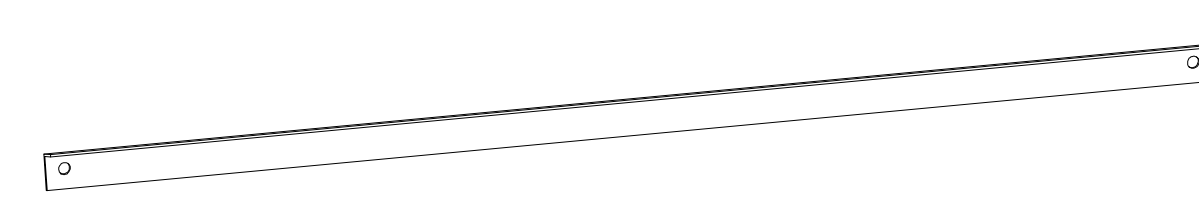
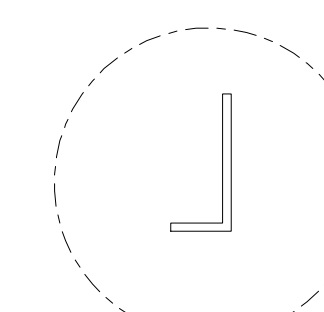
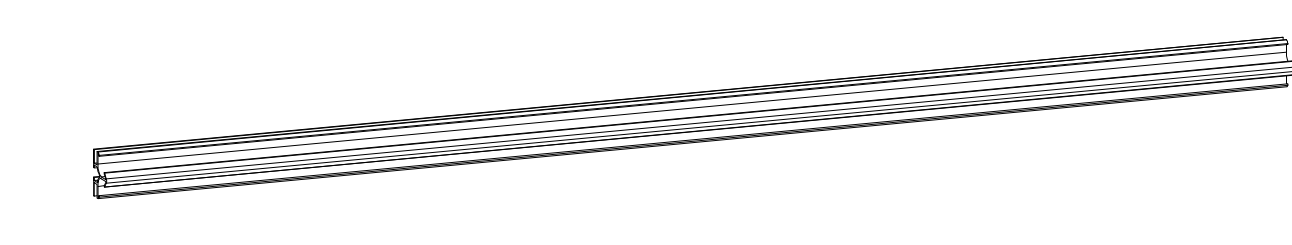
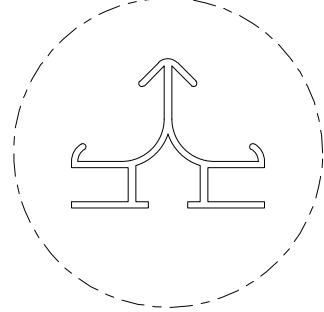
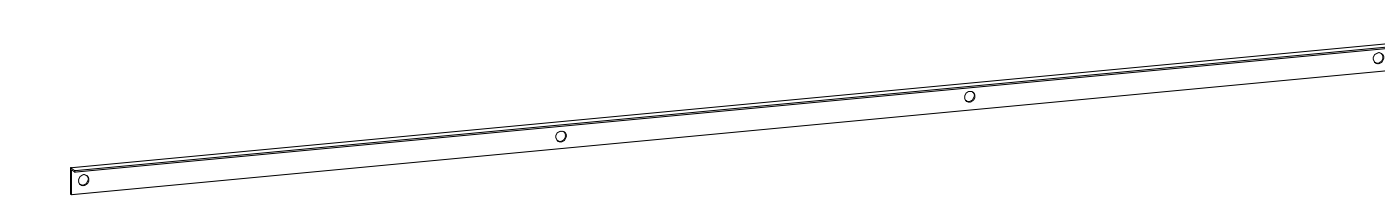
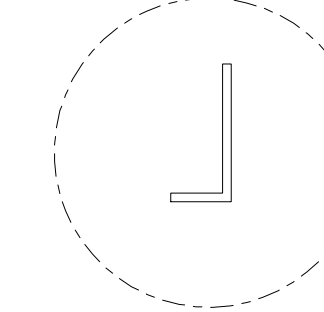
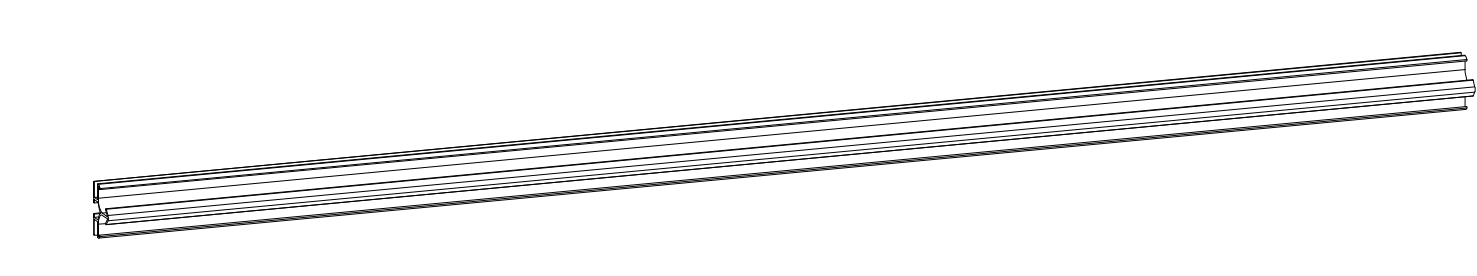
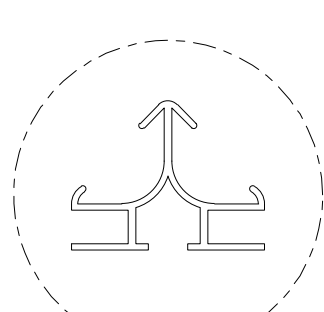
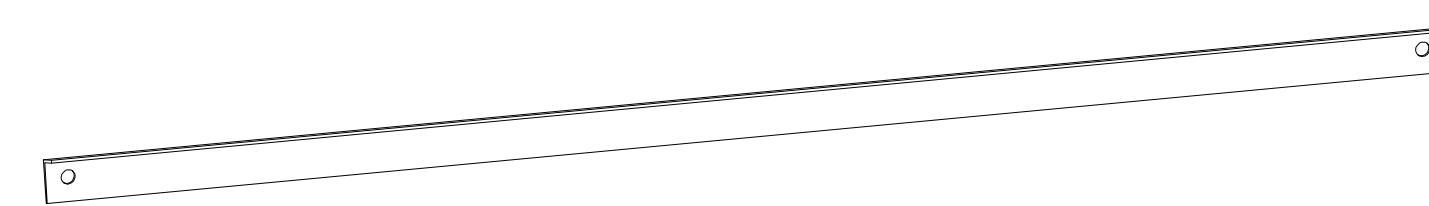
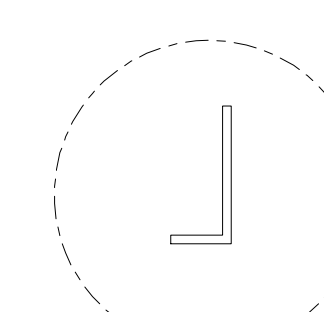
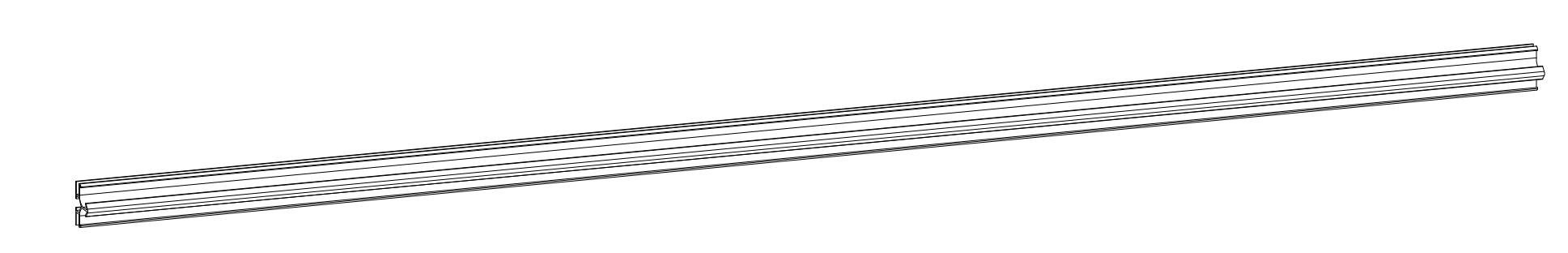
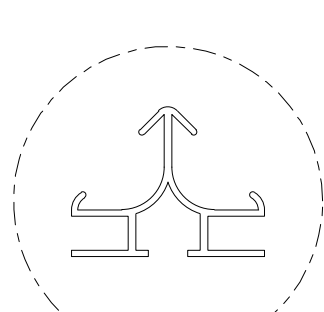
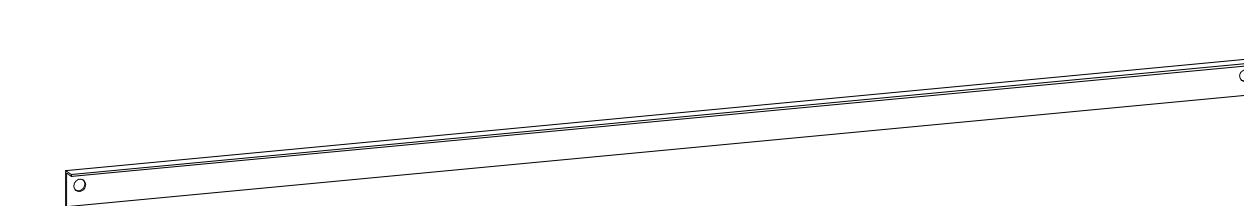
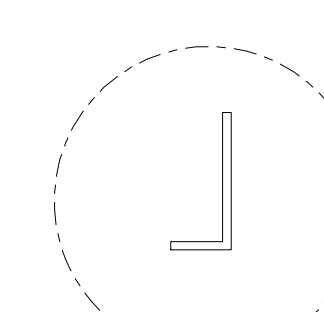
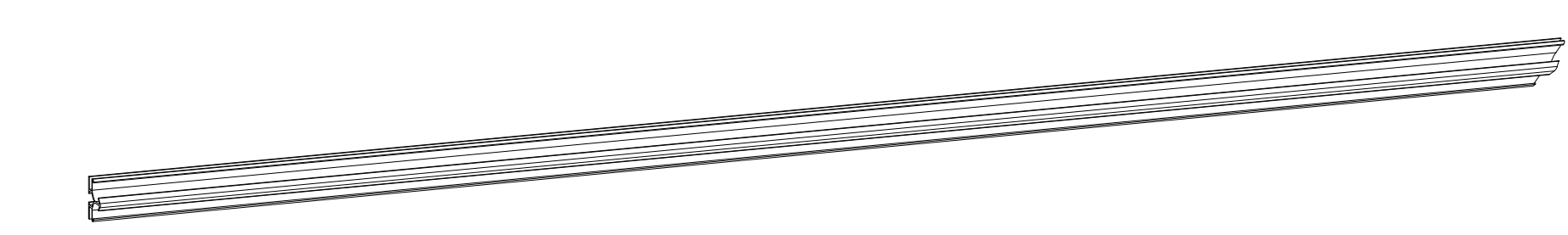
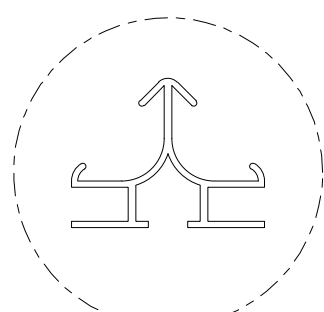
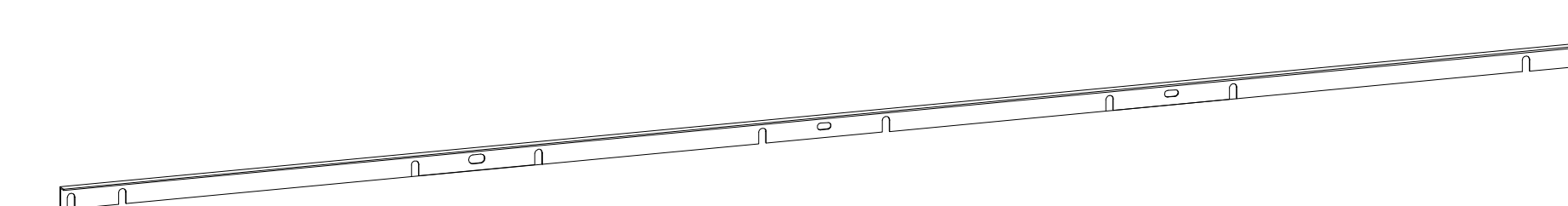
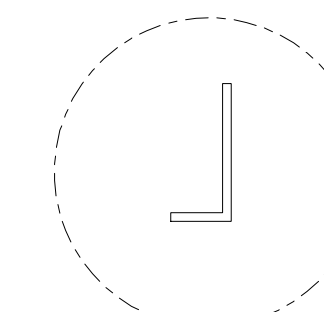
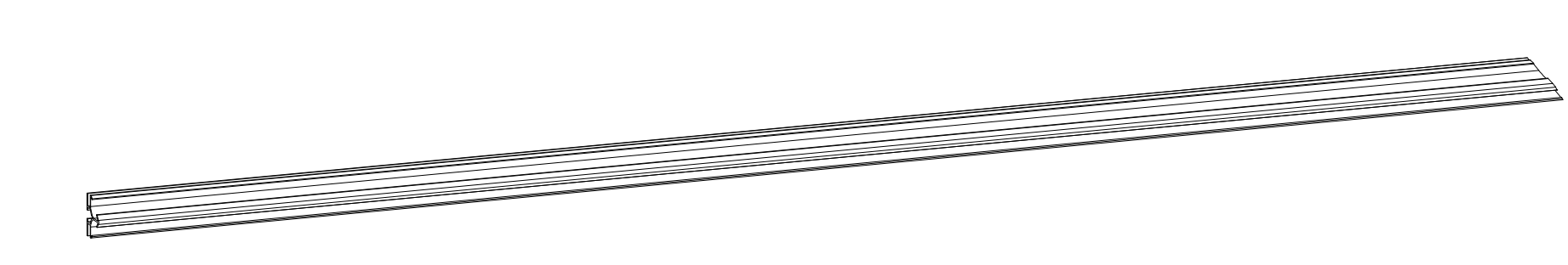
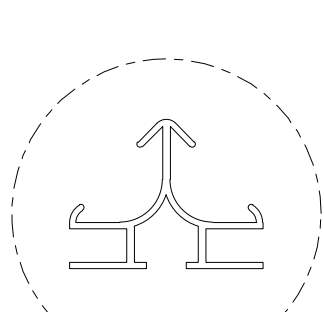
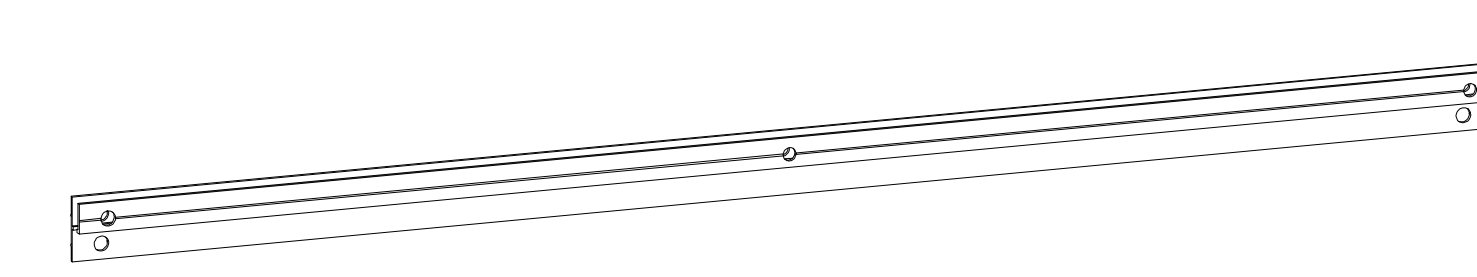
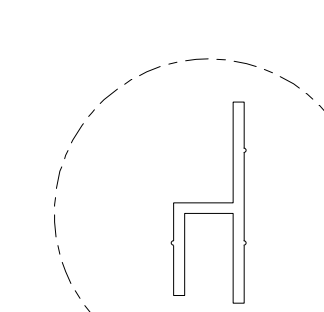
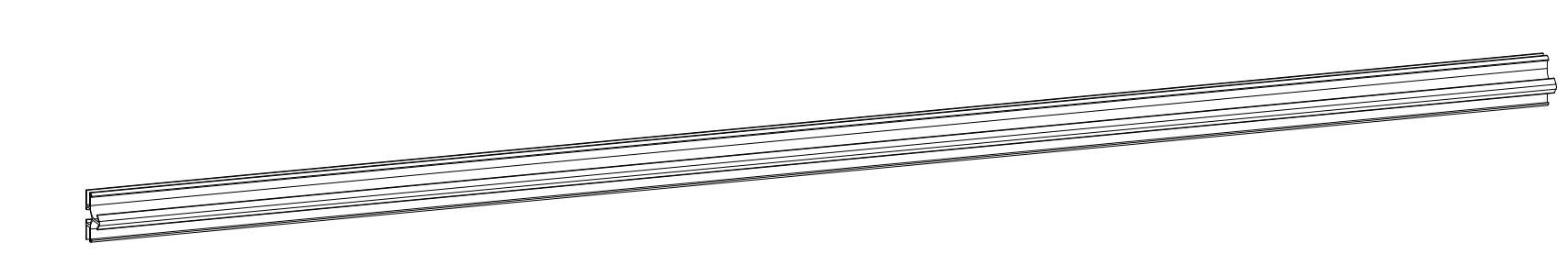
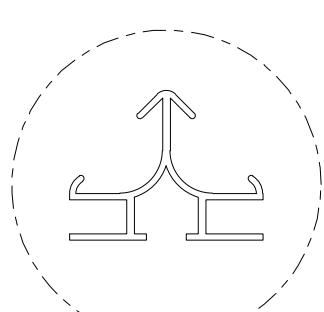
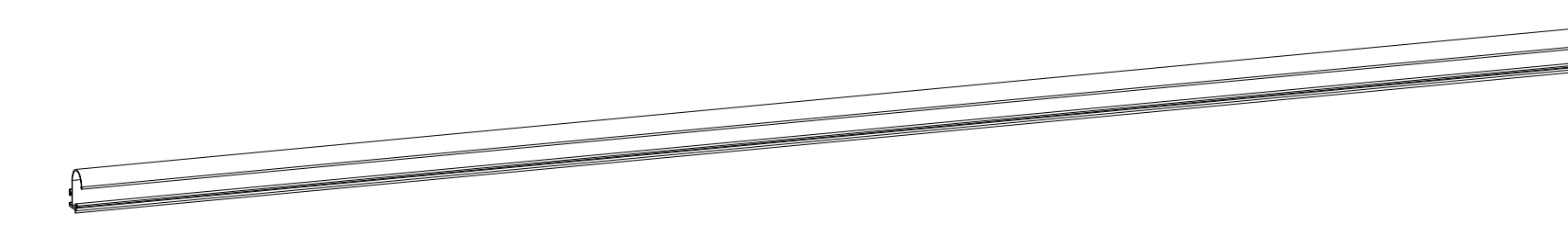
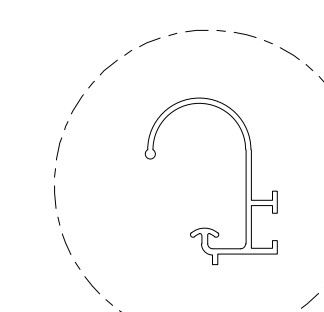
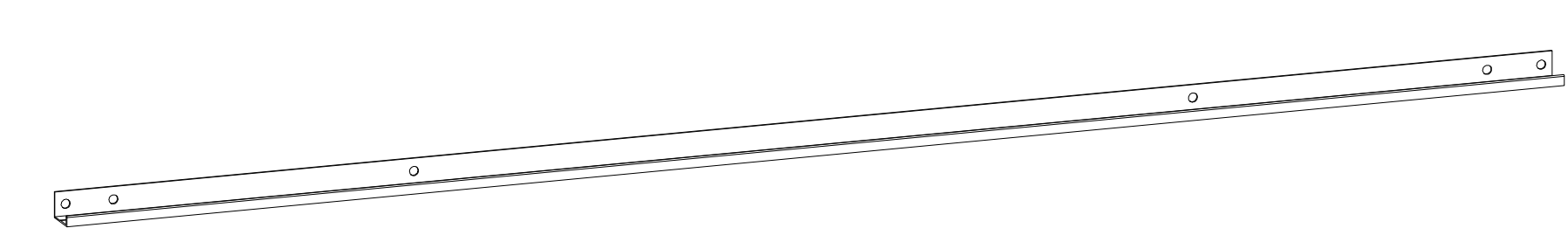
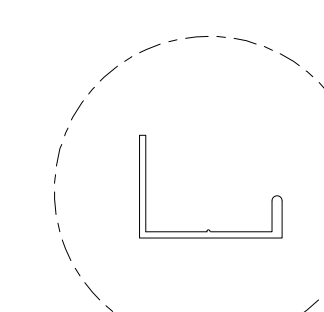
Right



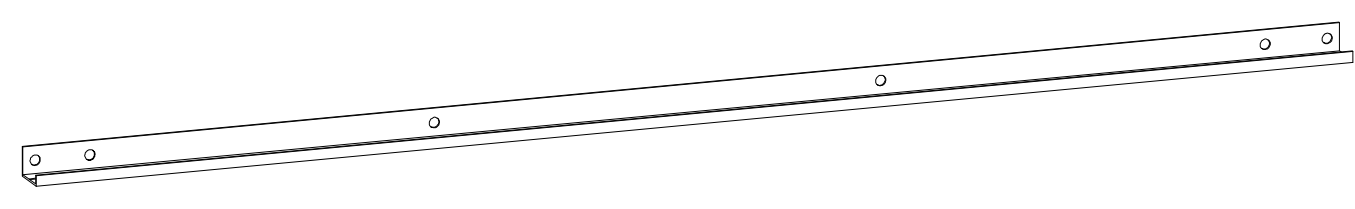
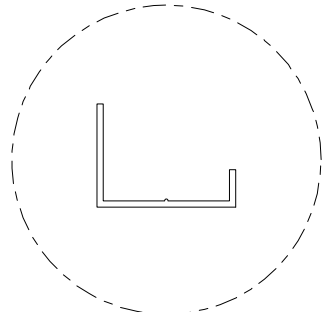
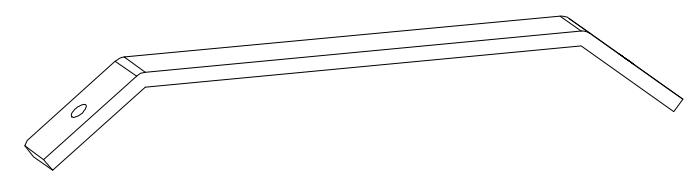
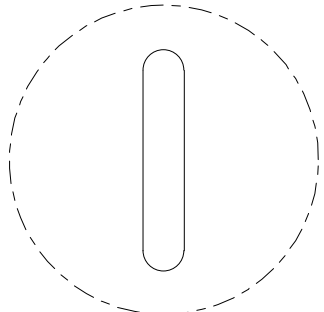
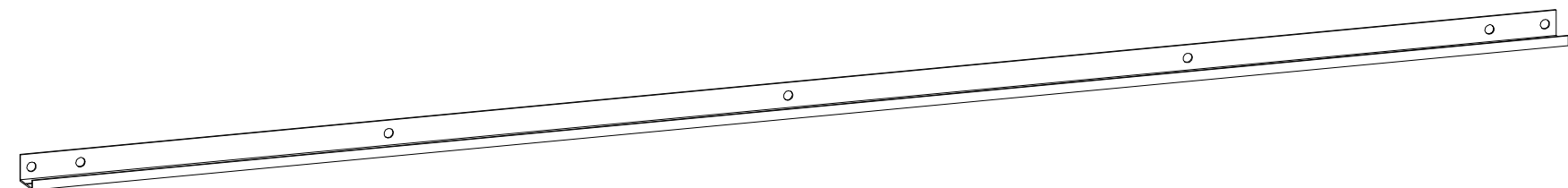
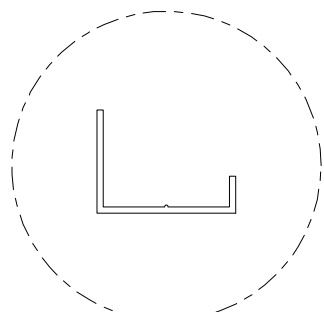
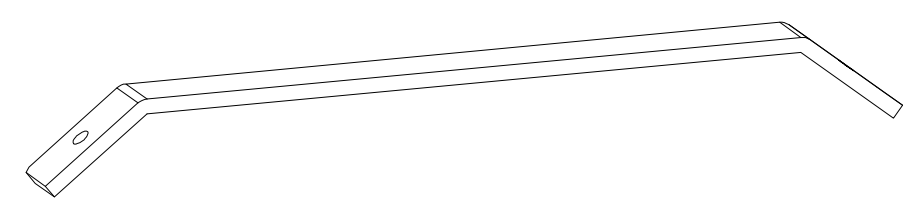
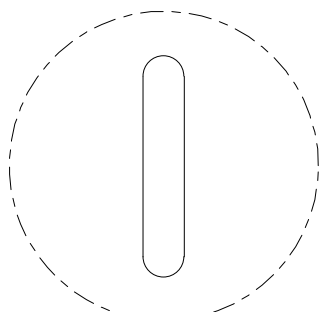
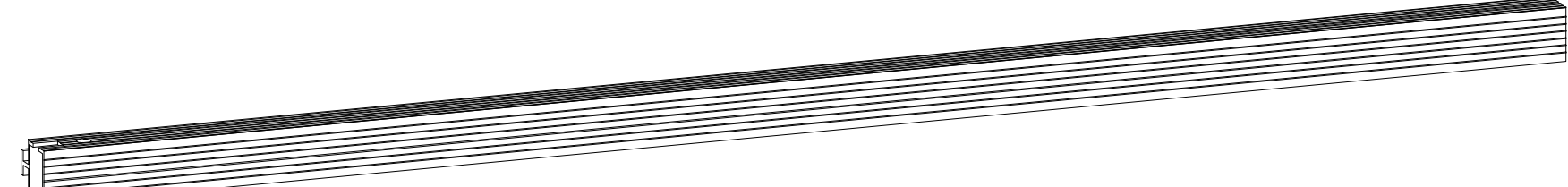
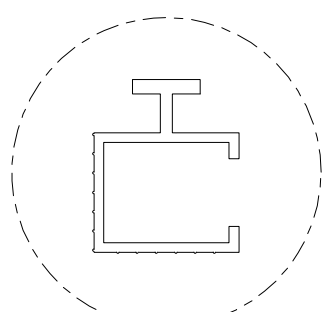
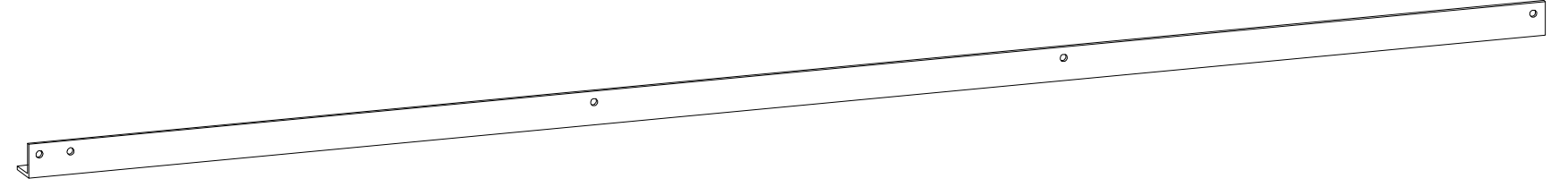
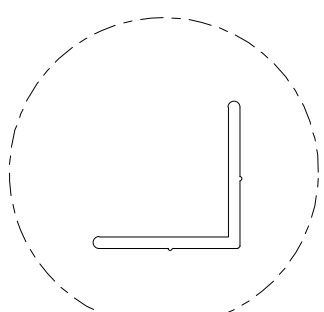
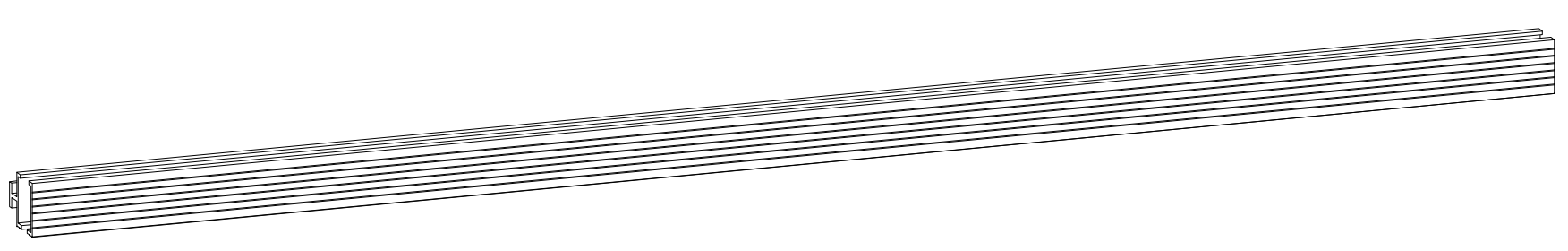
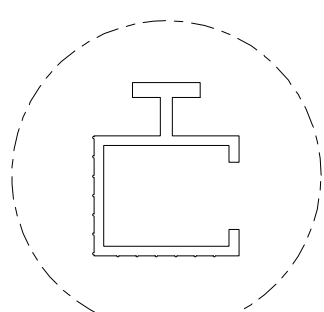
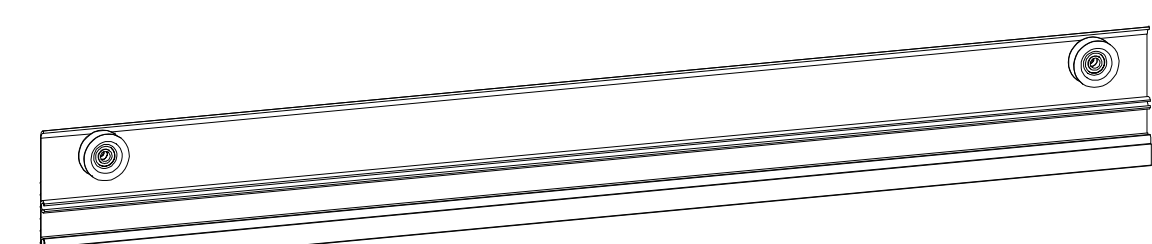
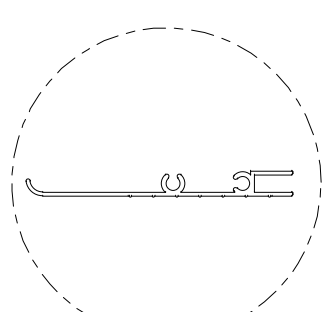
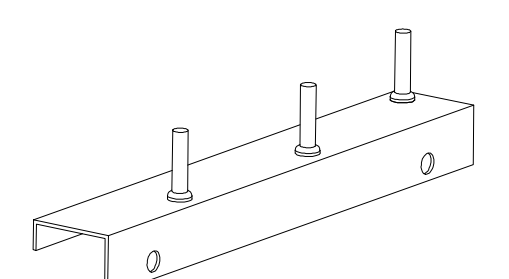
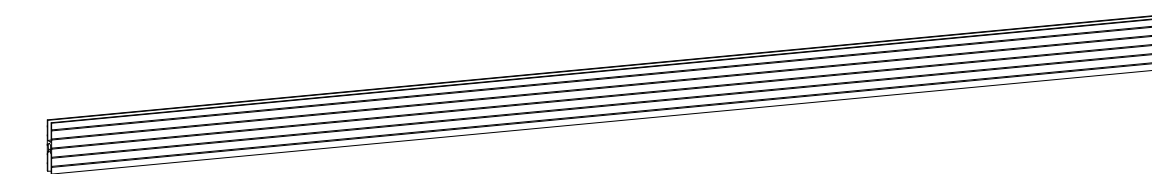
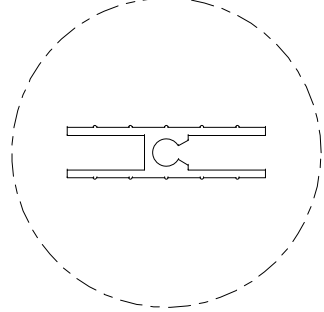
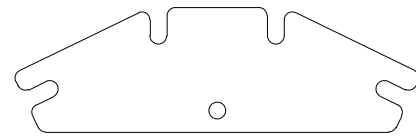
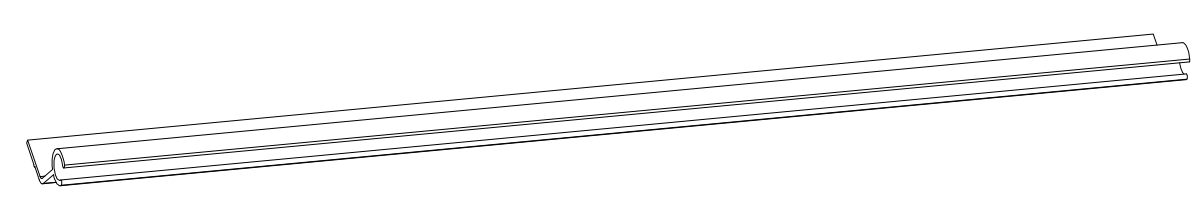
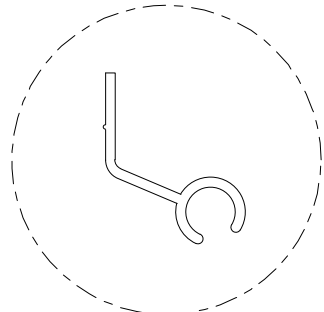
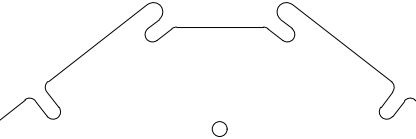
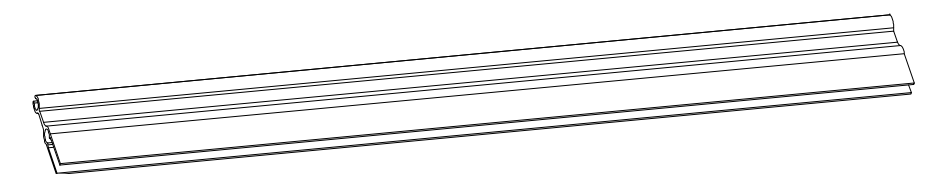
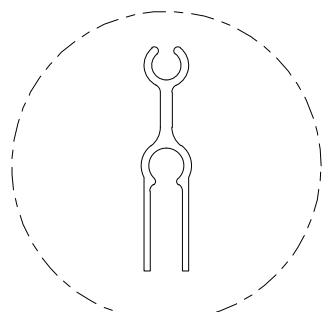
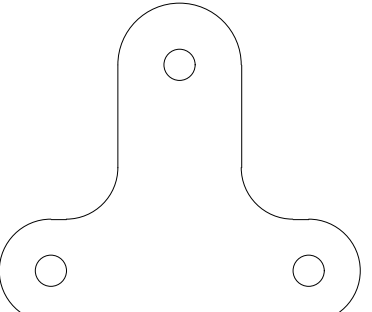
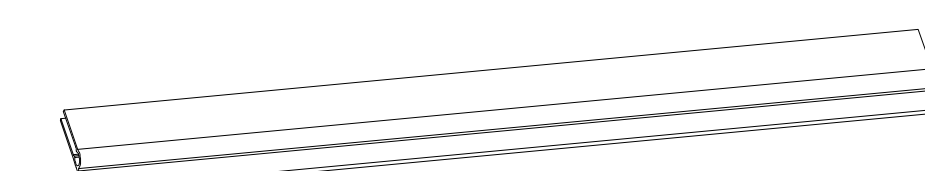
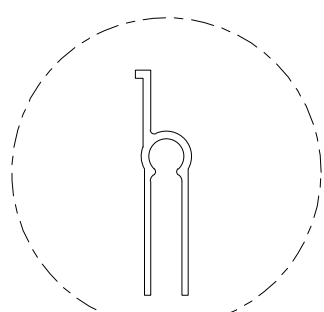
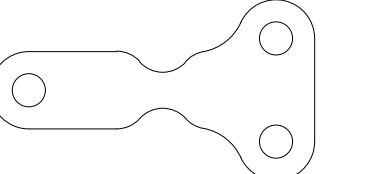
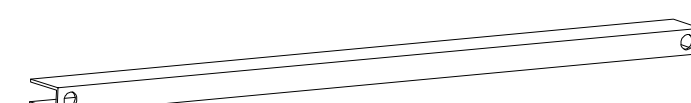
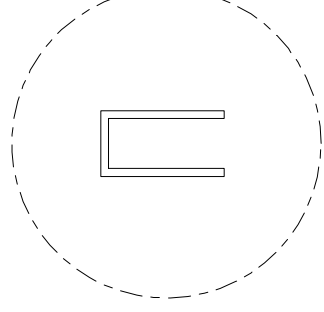
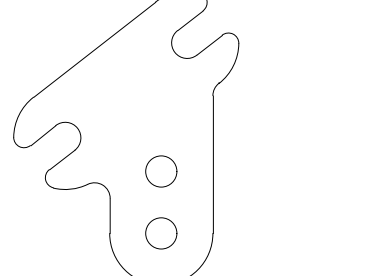
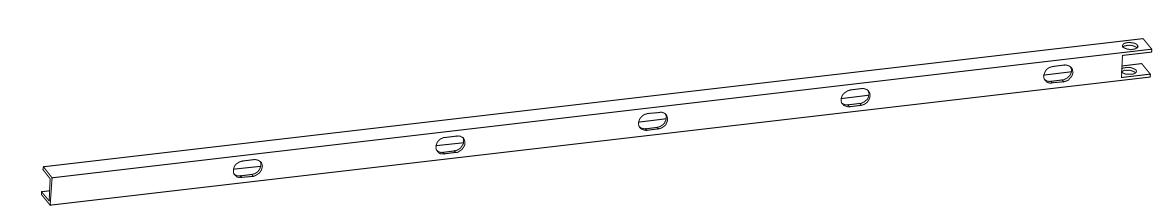
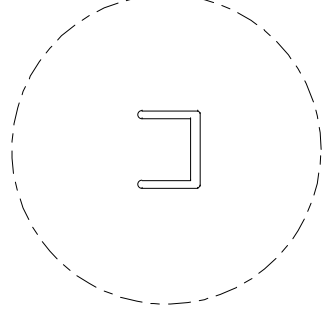
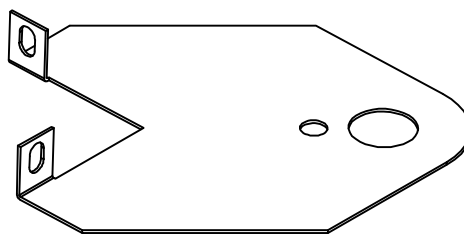
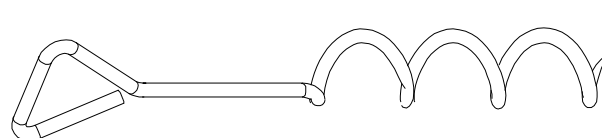
Front

The UV-protected side of the sheet is covered with transparent film and must face towards the sun.

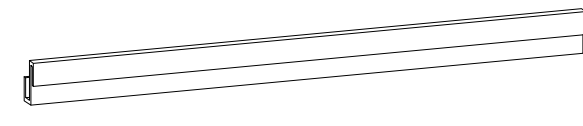
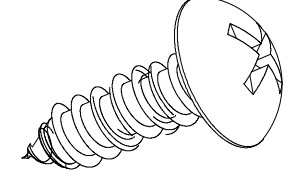
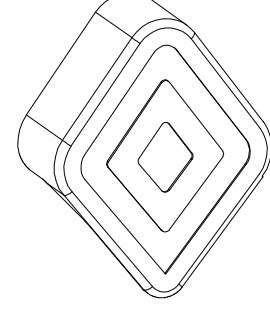
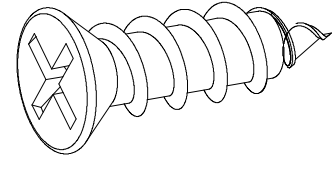
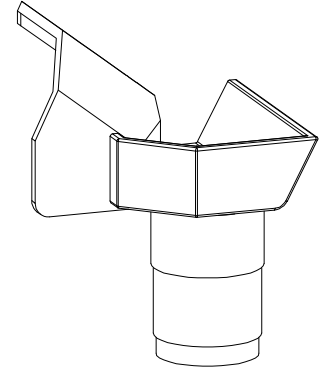
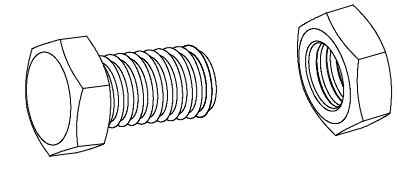
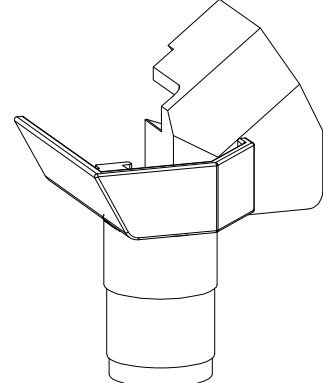
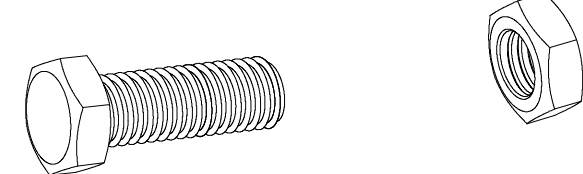
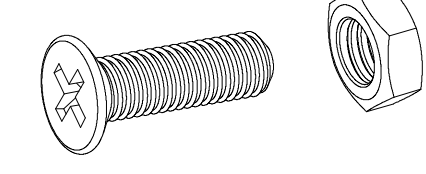
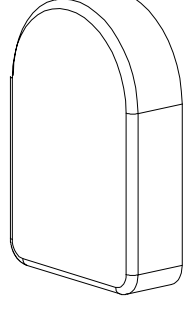
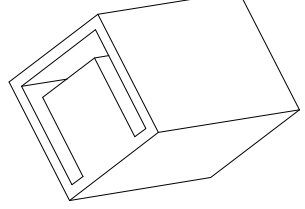
Contents

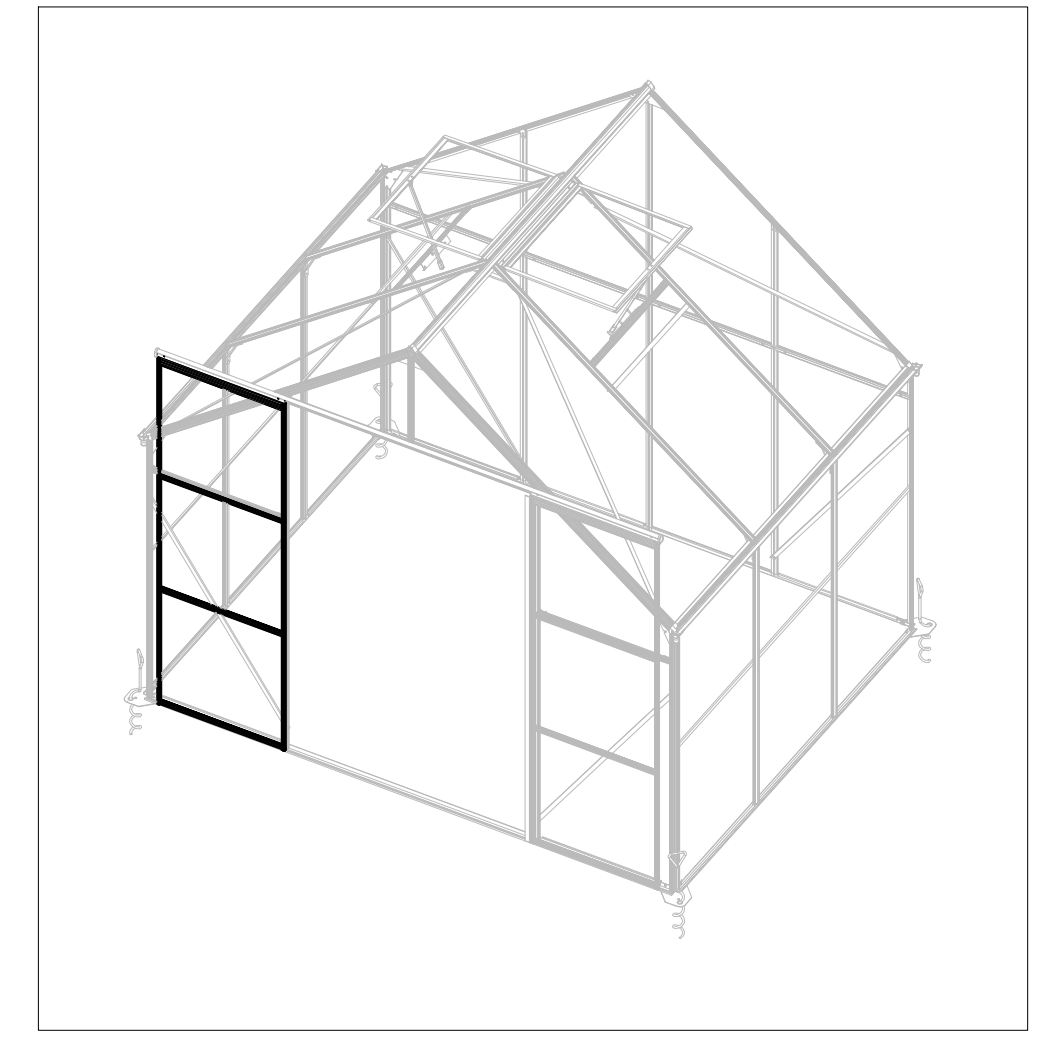
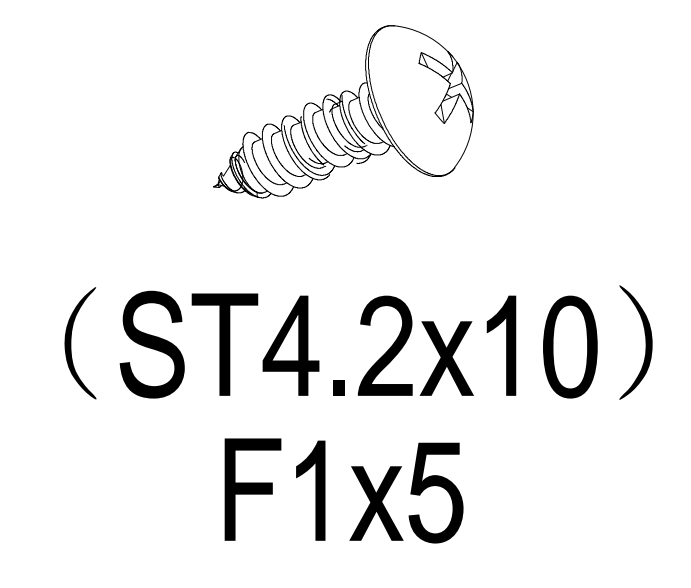
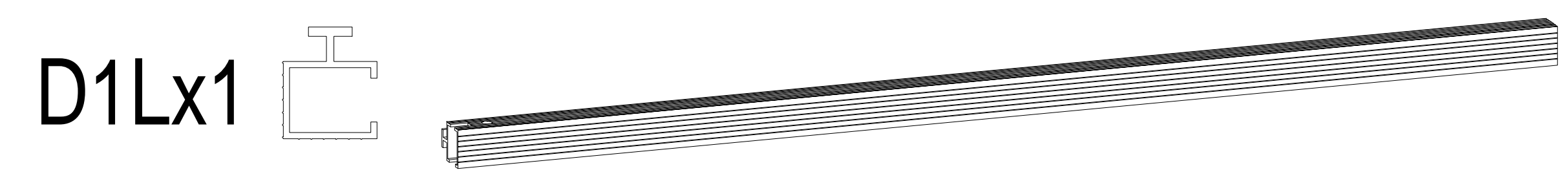
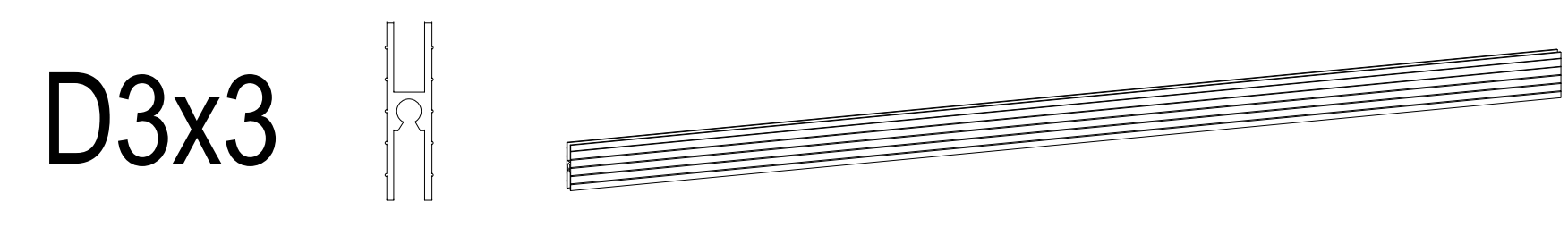
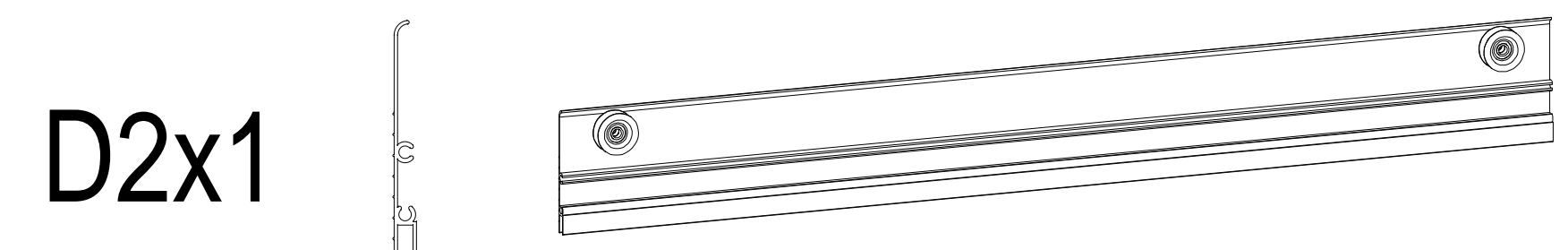
Item		Qty		MM	Item		Qty		MM
1		1 PCS		1838	14		4 PCS		584
5		4 PCS		1309	15		2 PCS		536
6		4 PCS		1473	16		2 PCS		580
7		2 PCS		1838	17		1 PCS		439
8		2 PCS		1830	18		4 PCS		1100
9		4 PCS		1309	19		2 PCS		1837
10		4 PCS		1473	20		4 PCS		1400
11		1 PCS		2205	21		2 PCS		627
12L		1 PCS		1786	22		1 PCS		2362
12R		1 PCS		1786	23		1 PCS		1149
13		2 PCS		1765	24		1 PCS		2260
					25		1 PCS		2362

Contents

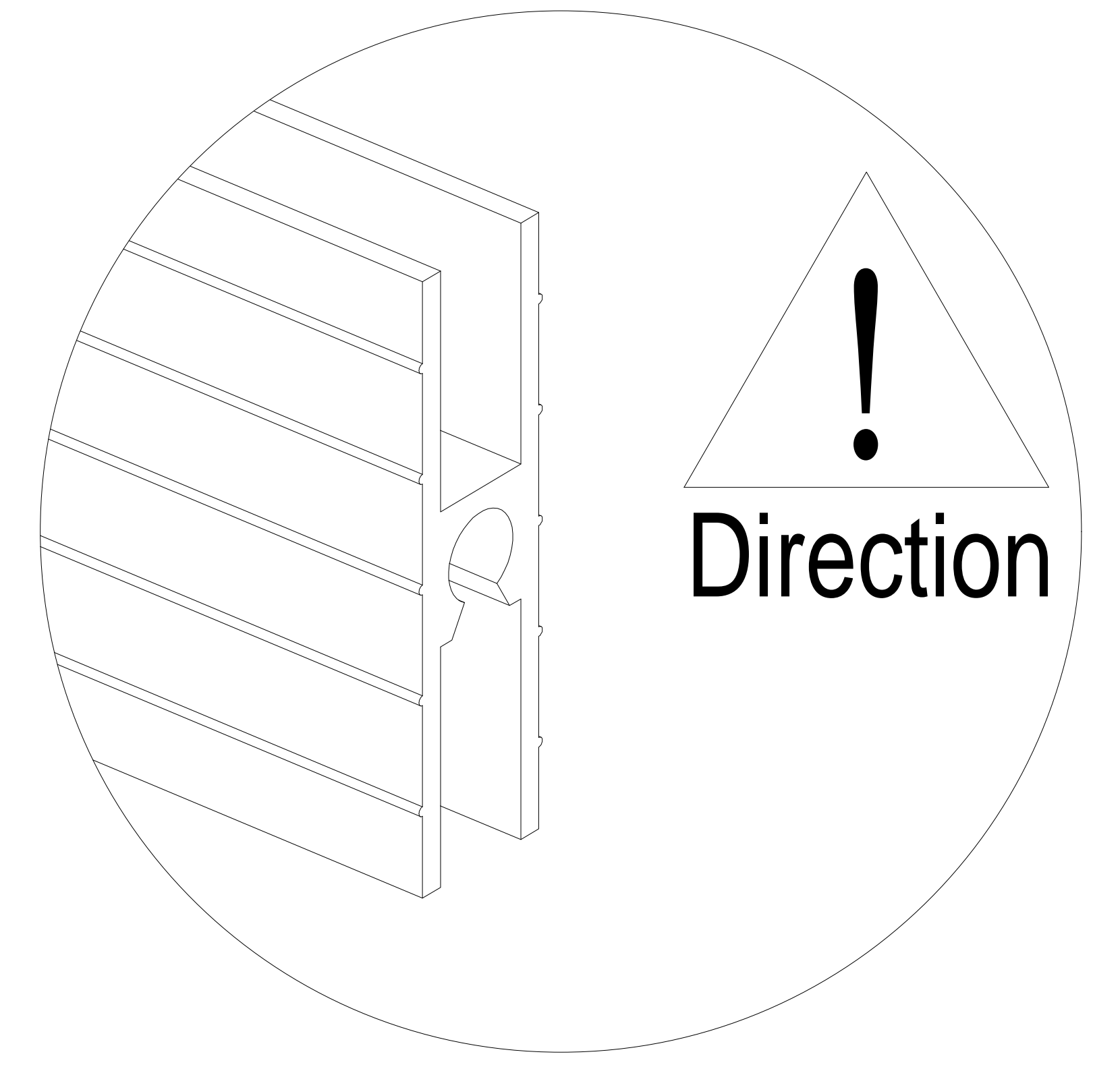
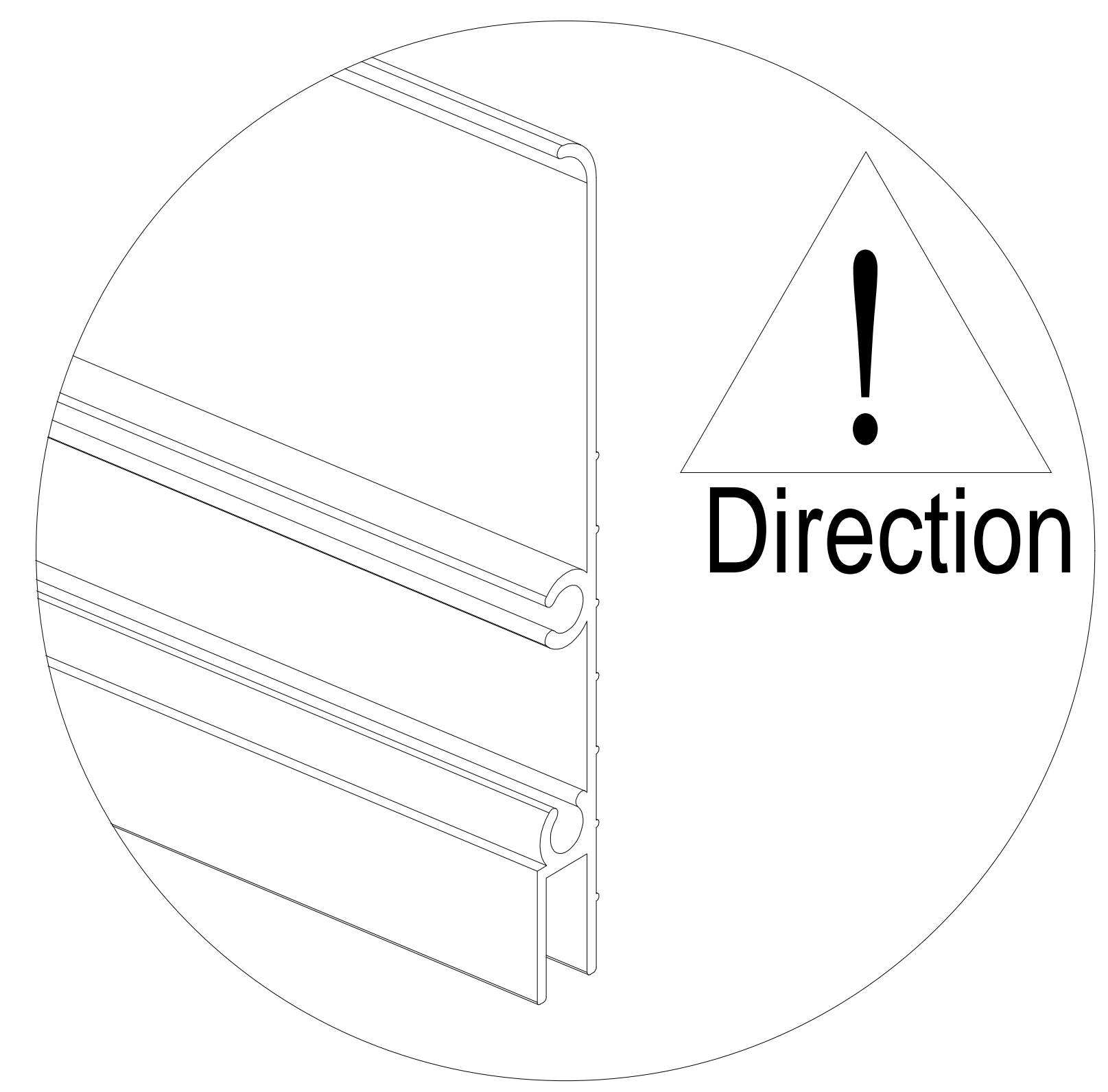
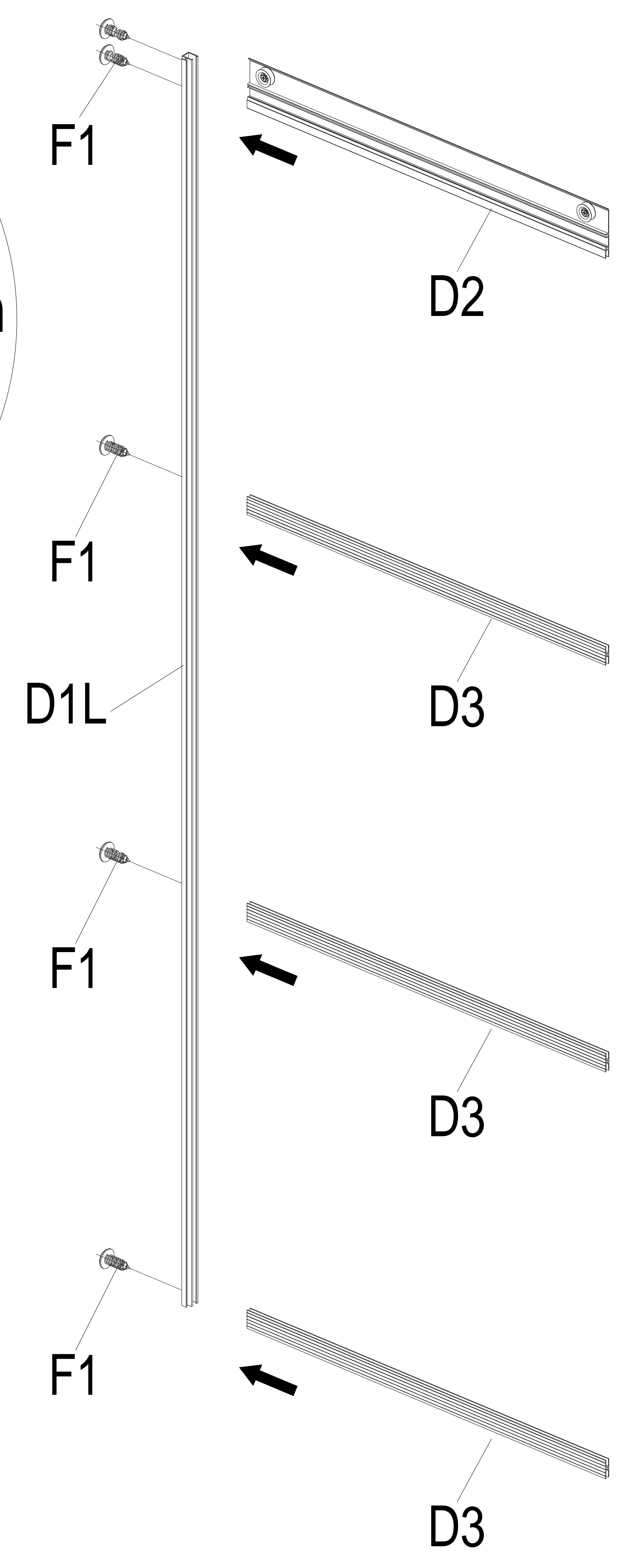
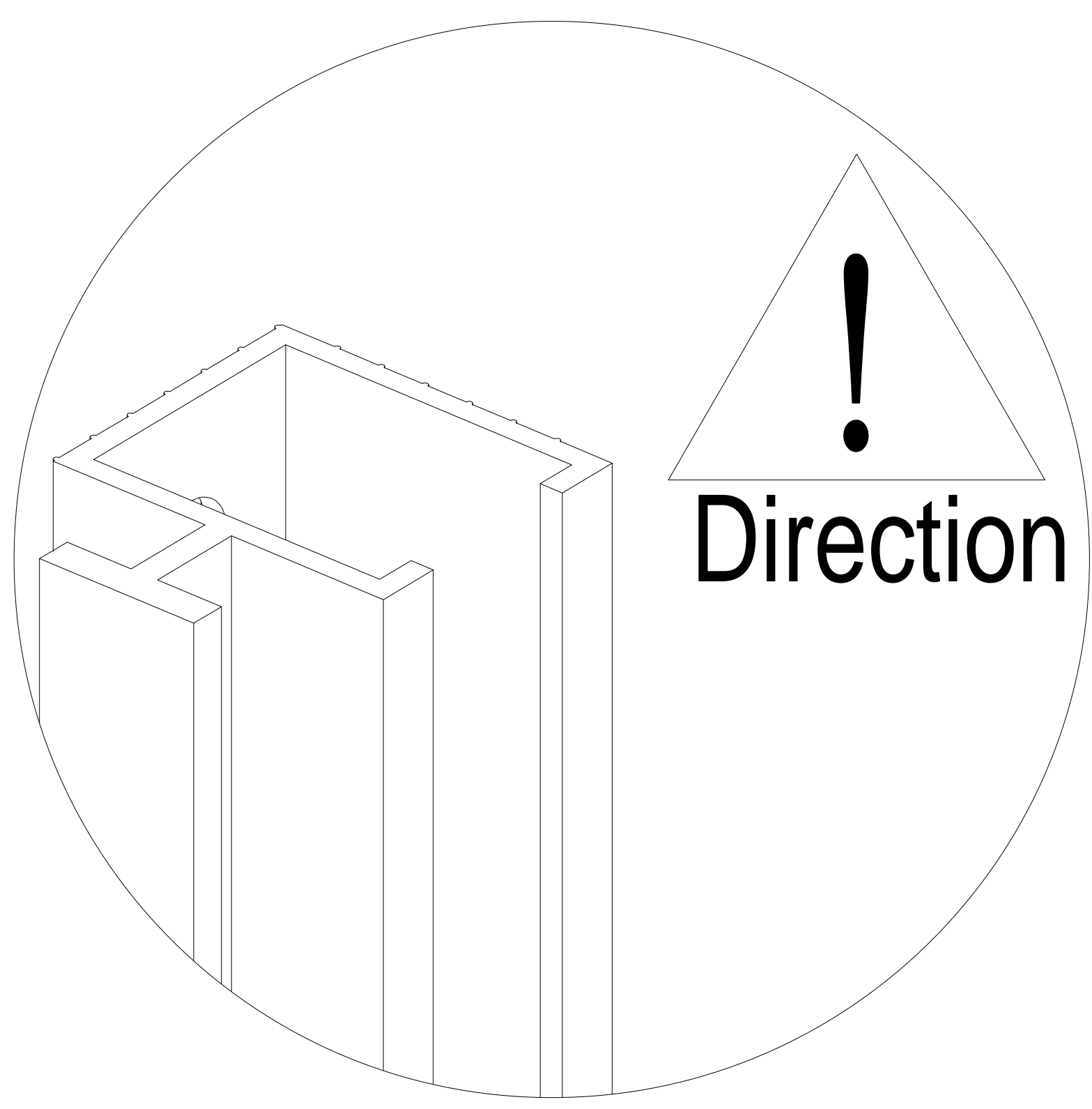
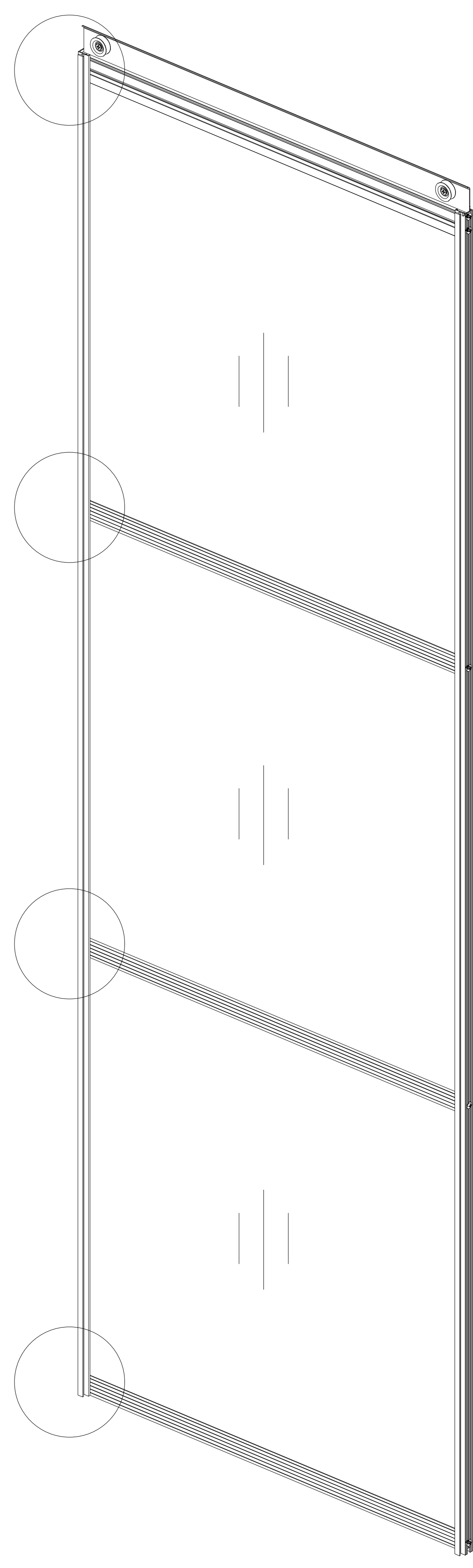
Item		Qty		MM	Item		Qty		MM
26		2 PCS		1838	T1		4 PCS		180
27		1 PCS		2360	T2		2 PCS		240
D1L		2 PCS		1760	29		1 PCS		1749
D1R		2 PCS		1760					
D2		2 PCS		571	B7		2 PCS		
D3		6 PCS		571	B2		4 PCS		
28		2 PCS		581	B3		2 PCS		
W1		2 PCS		588	B4		8 PCS		
W2		2 PCS		588	B5		4 PCS		
W3		4 PCS		500	B6		4 PCS		
W4		2 PCS		380	B8		4 PCS		
					B14		4 PCS		

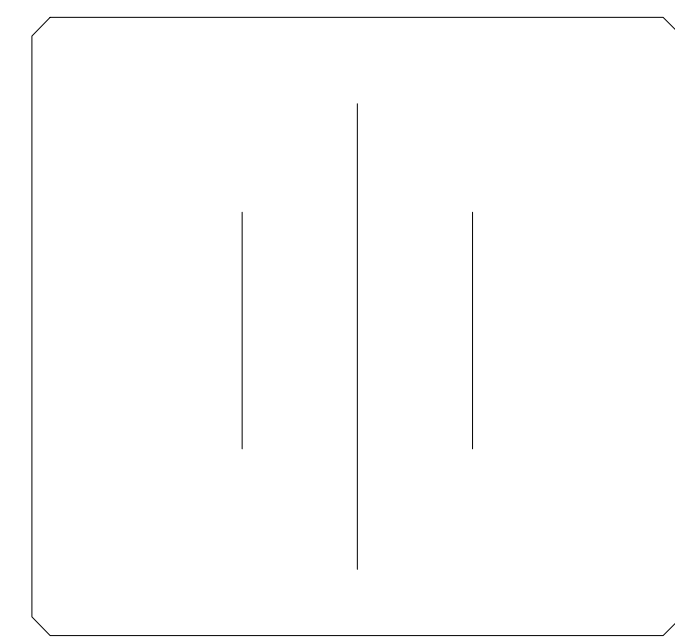
Contents

Item		Qty	MM	Item		Qty	MM
S3		<u>12 PCS</u>	530	F1		<u>20 PCS</u>	ST4.2x10
S5		<u>2 PCS</u>		F2		<u>8 PCS</u>	ST4.8x16
S6L		<u>2 PCS</u>		F4		<u>170PCS</u>	M5x10
S6R		<u>2 PCS</u>		F6		<u>3 PCS</u>	M5x20
S7L		<u>1 PCS</u>		F7		<u>4 PCS</u>	M4x20
S7R		<u>1 PCS</u>		F8		<u>8 PCS</u>	M5x10
S8		<u>2 PCS</u>					
S9		<u>2 PCS</u>					

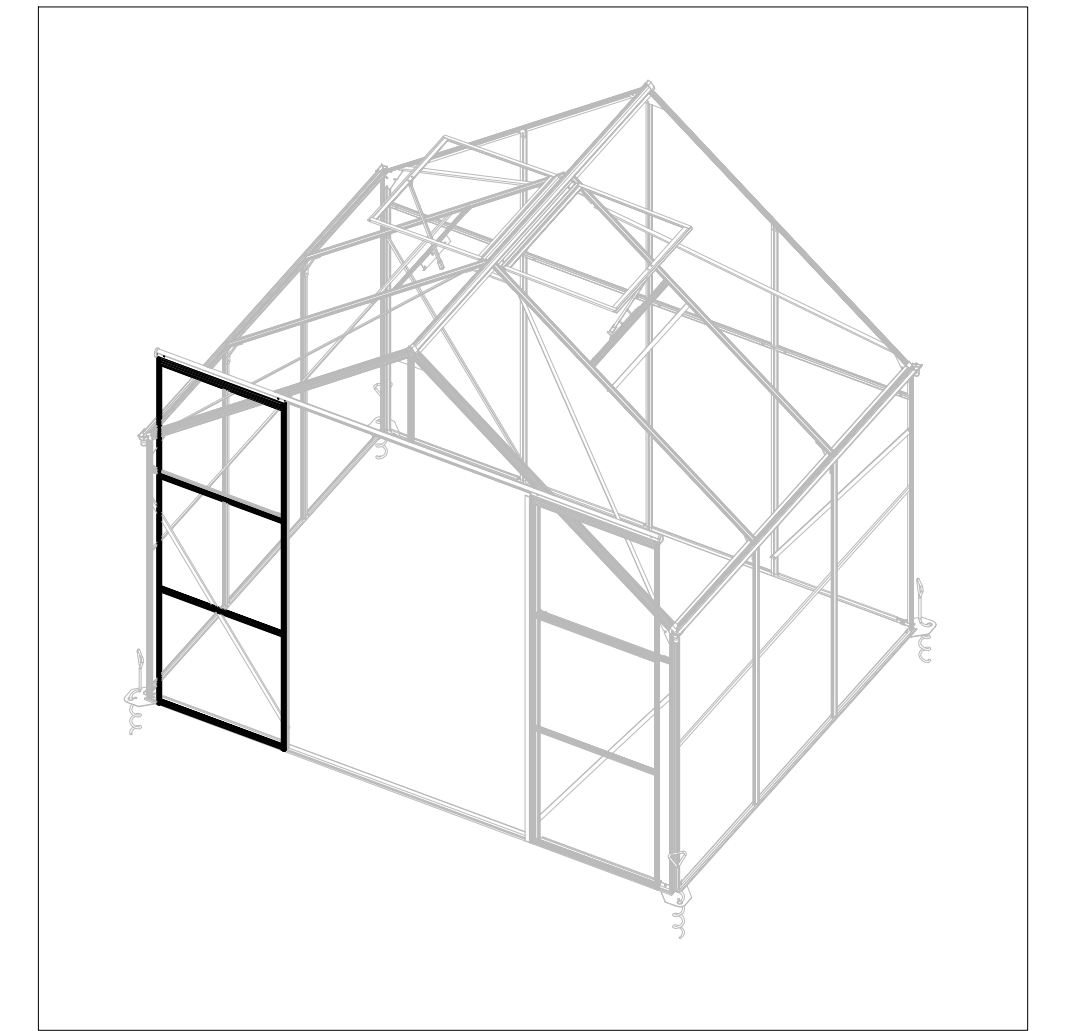


DOOR-Right

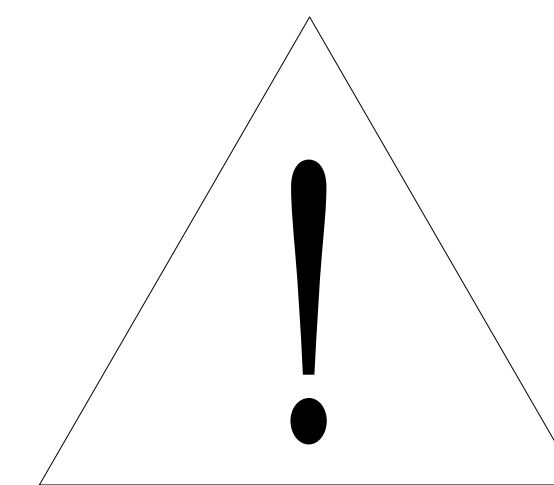
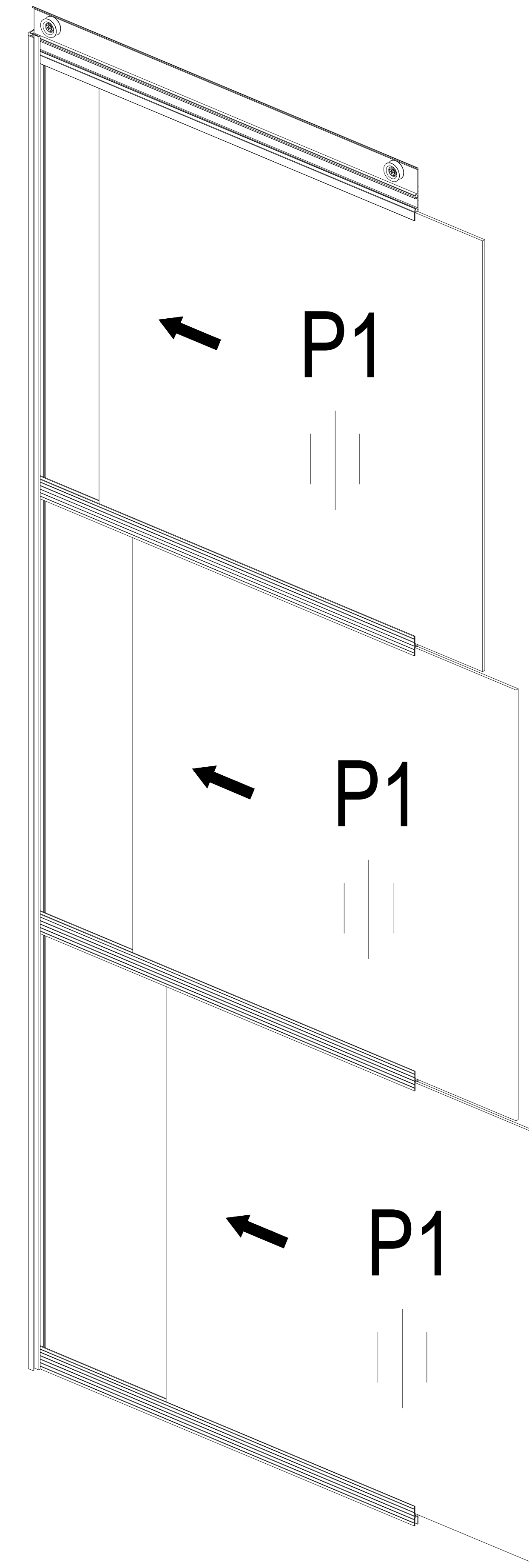
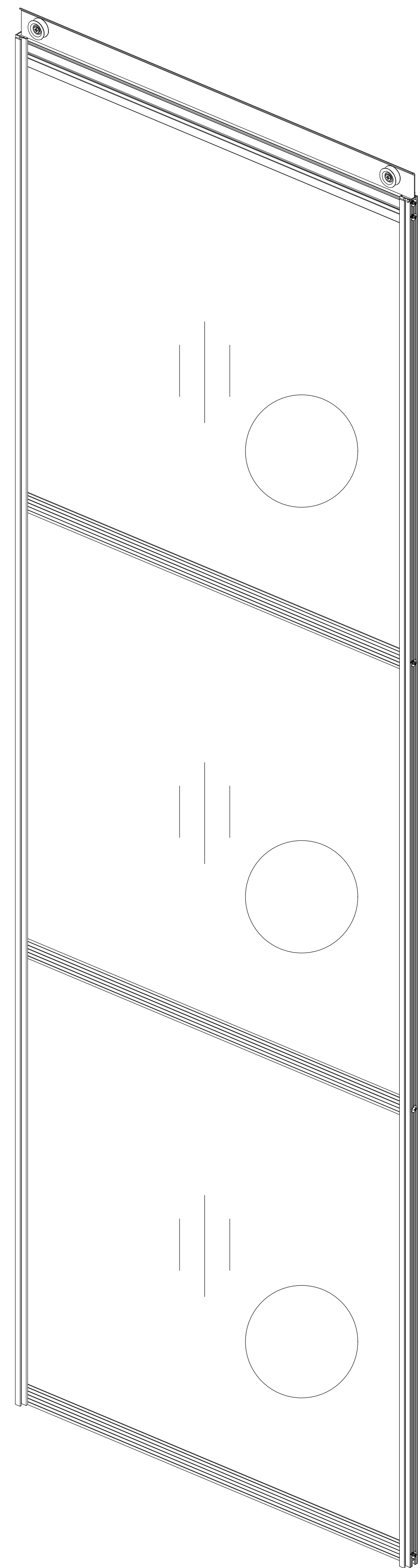




P1x3

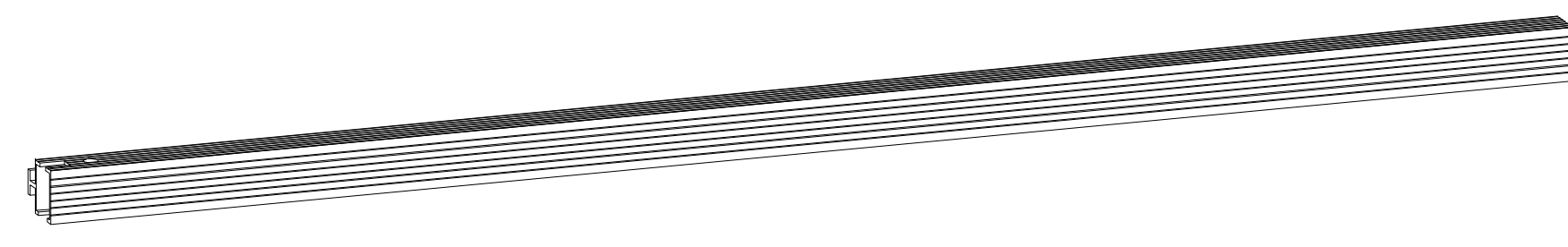


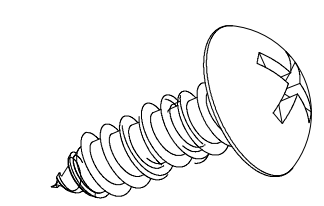
DOOR-Right

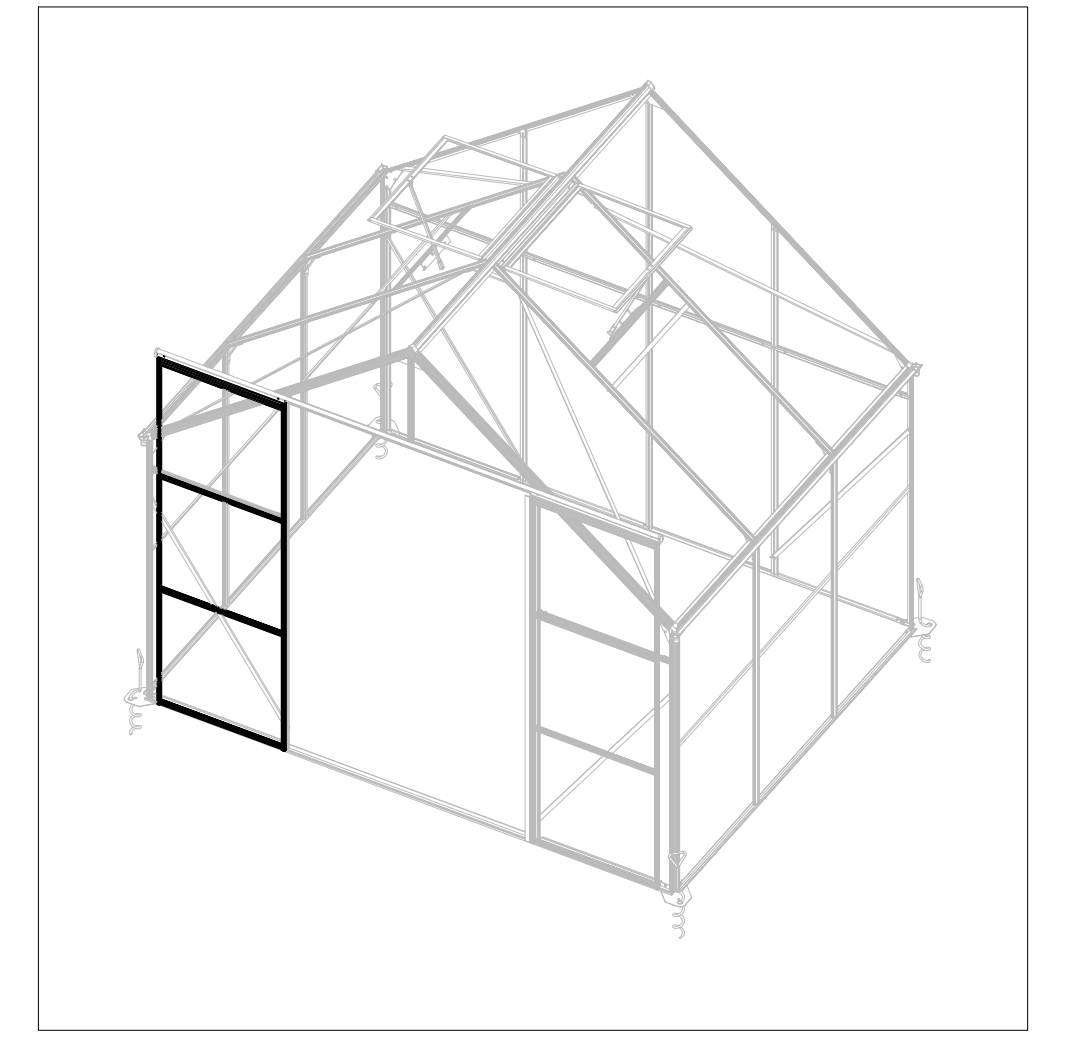


Note toward the UV surface to the Sun.

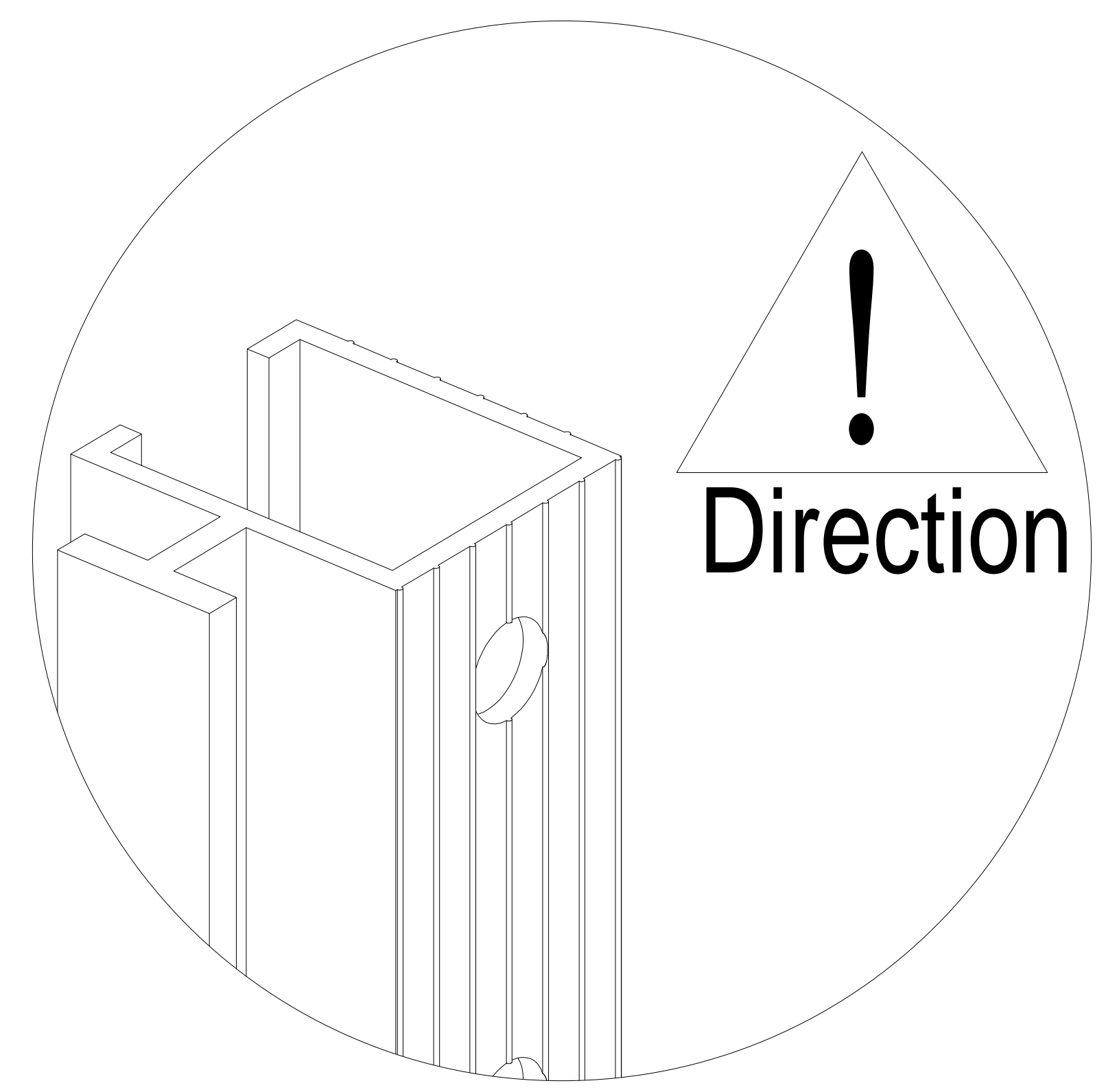
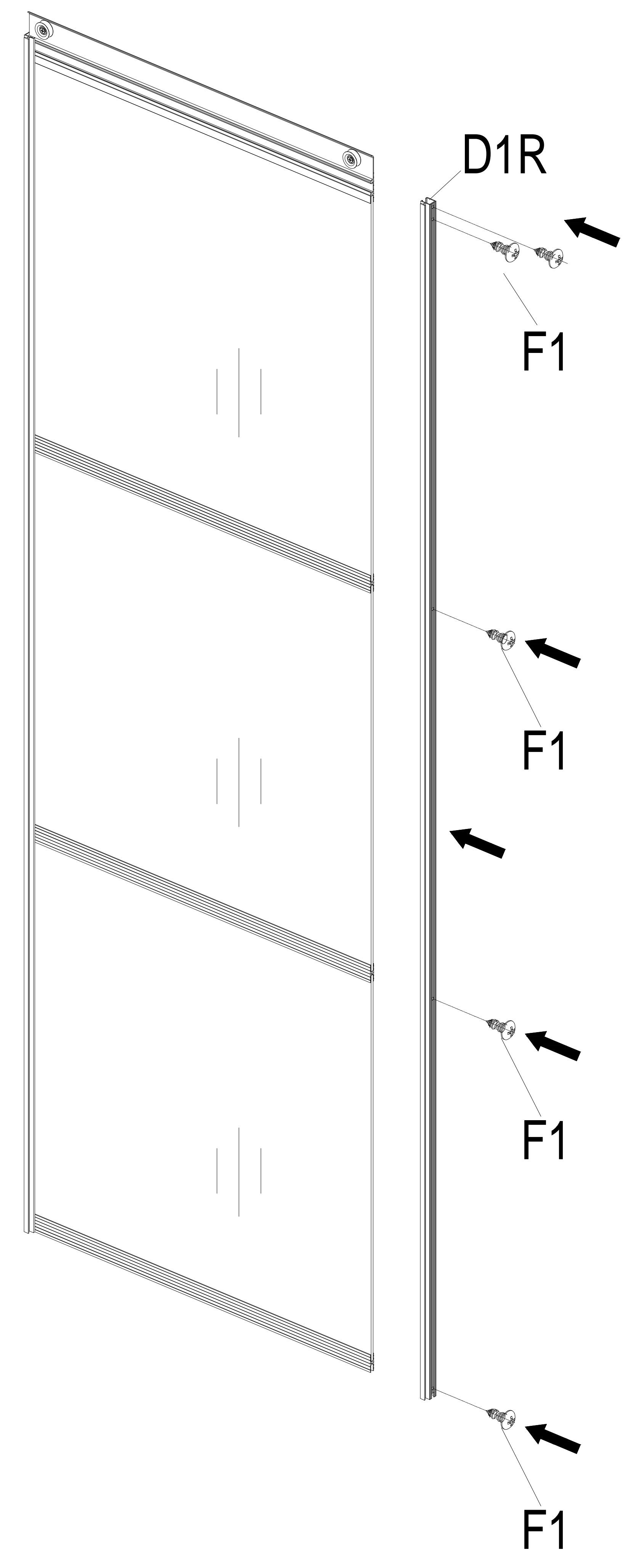
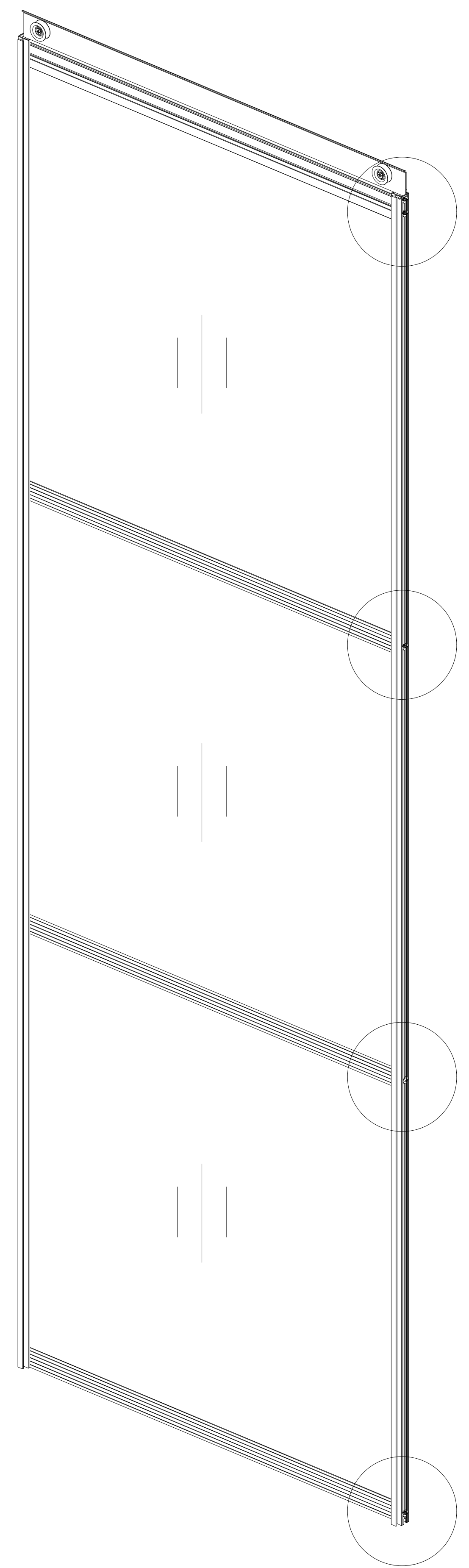
D1Rx1 

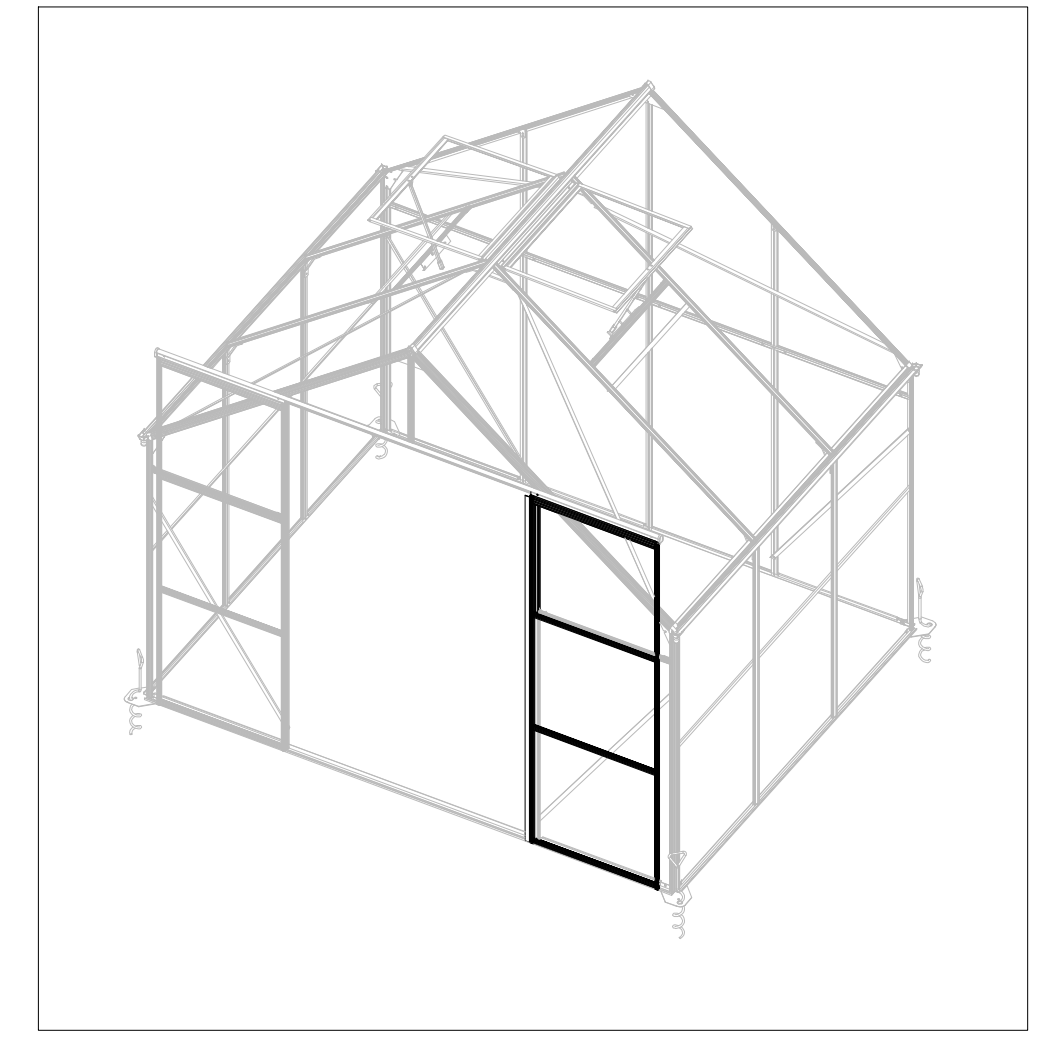
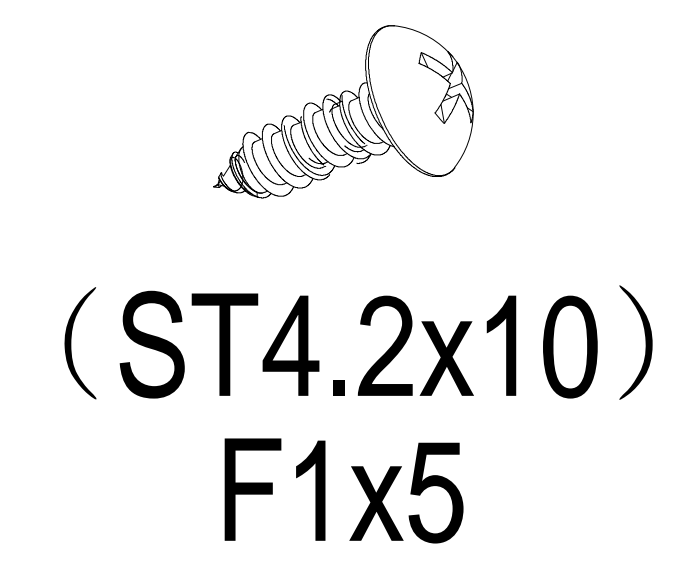
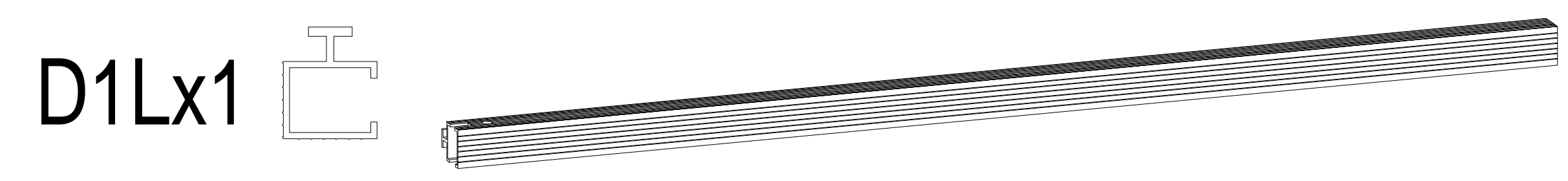
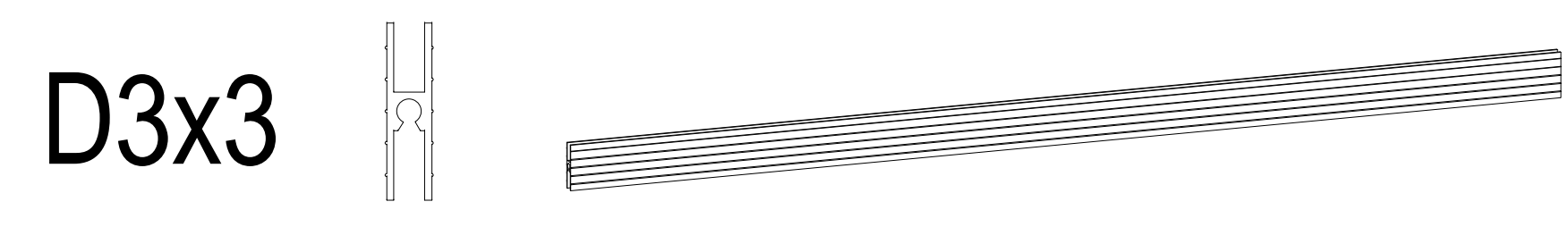
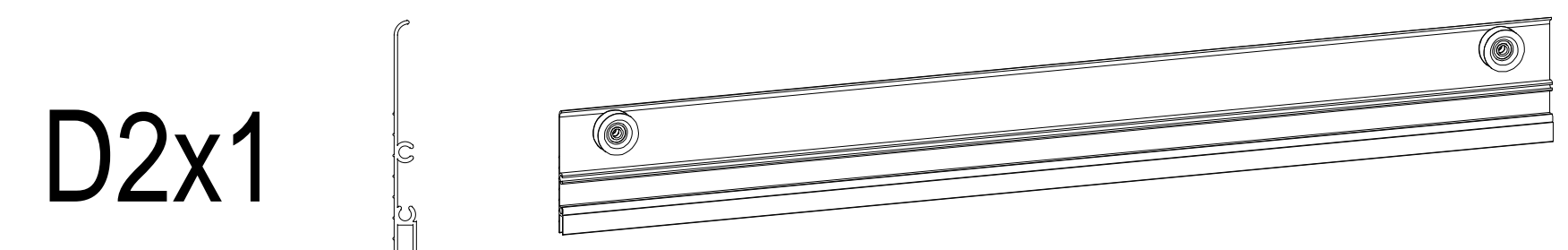



(ST4.2x10)
F1x5

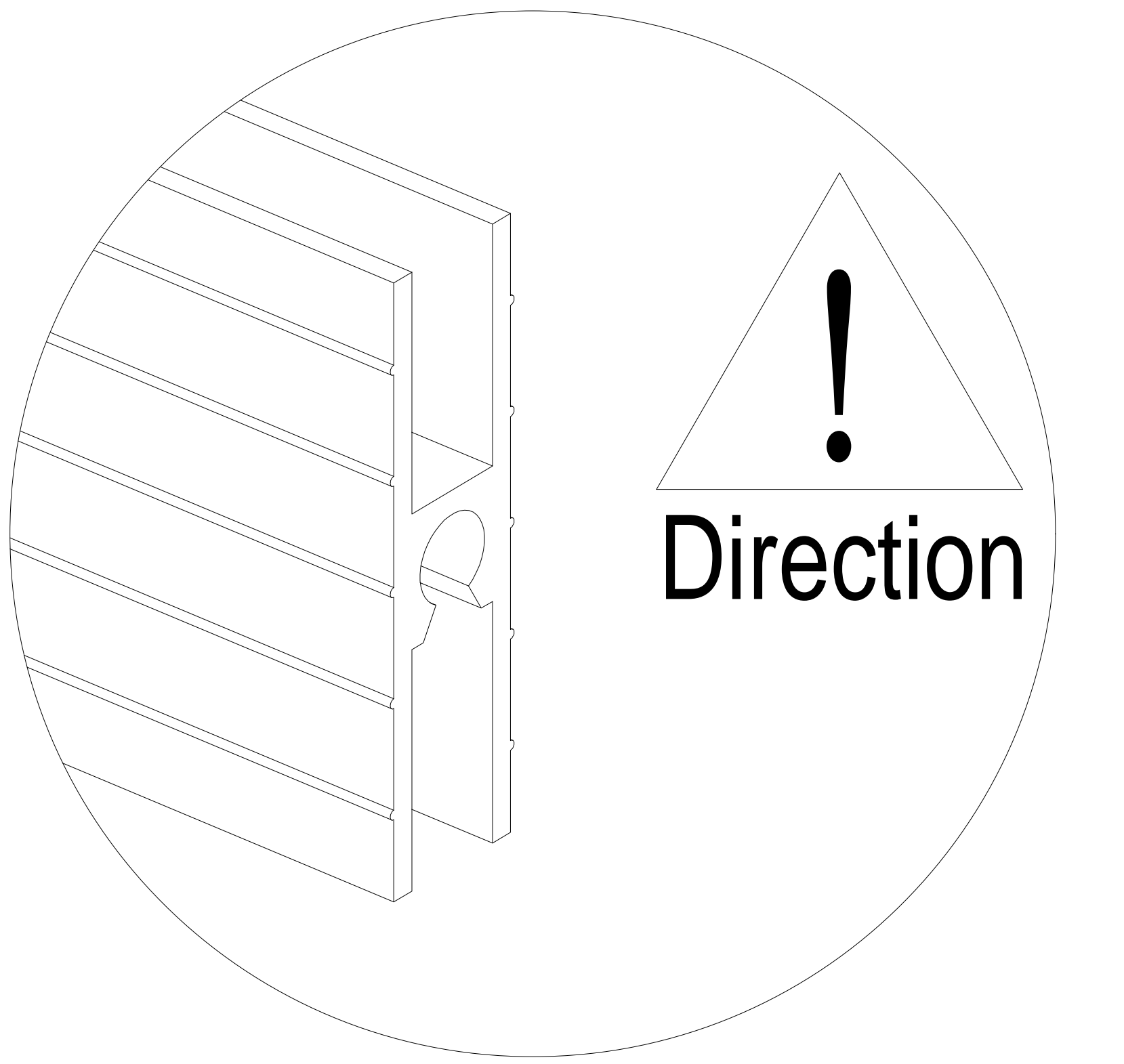
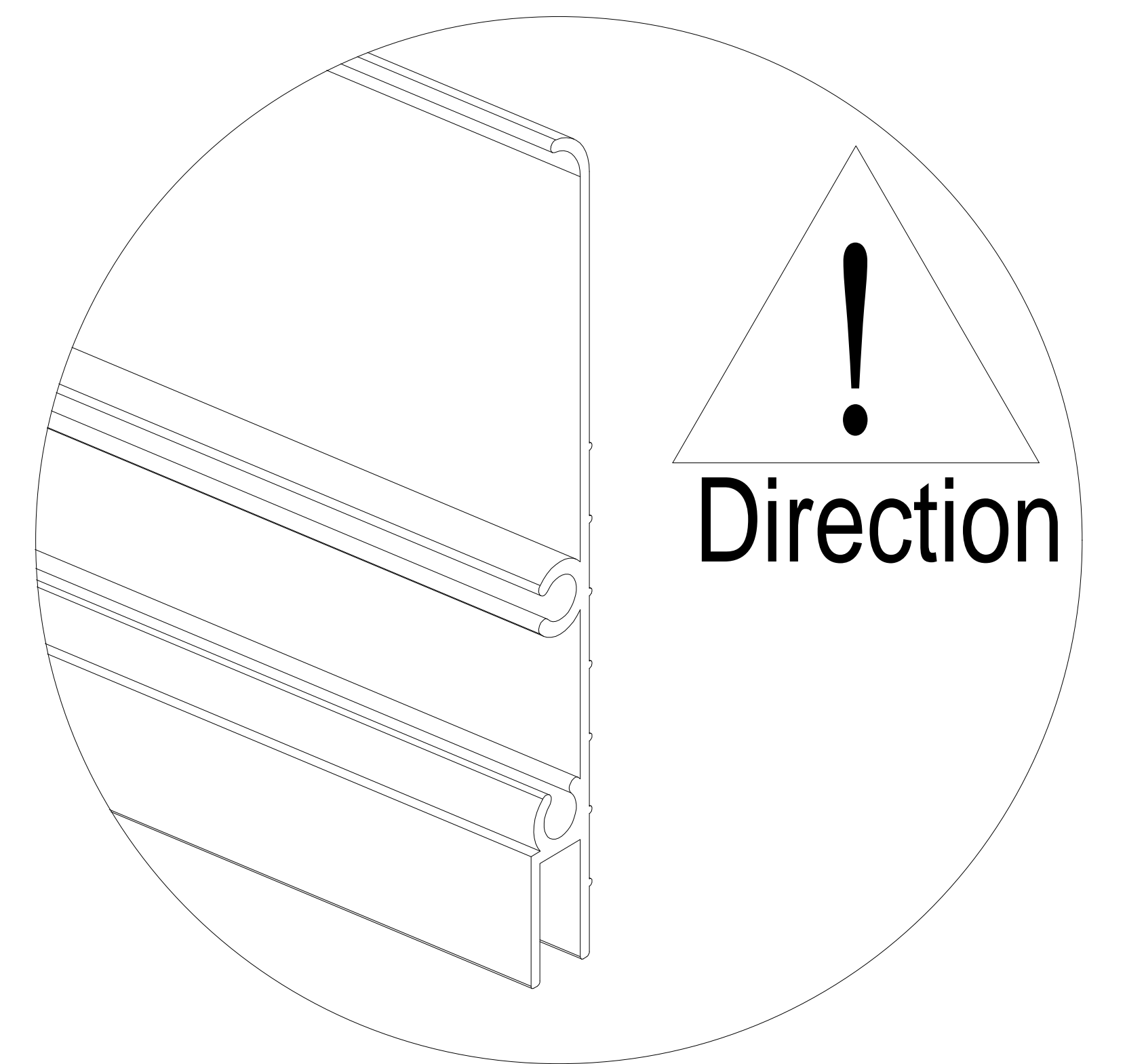
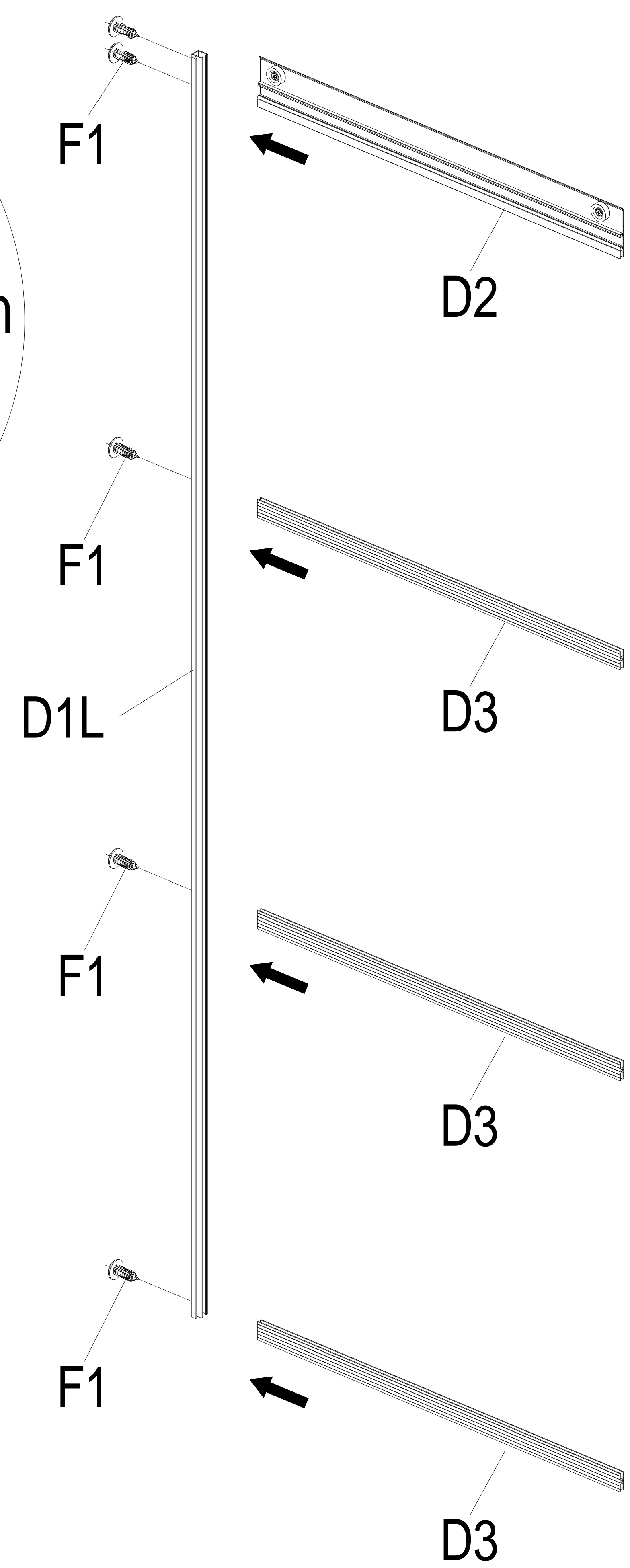
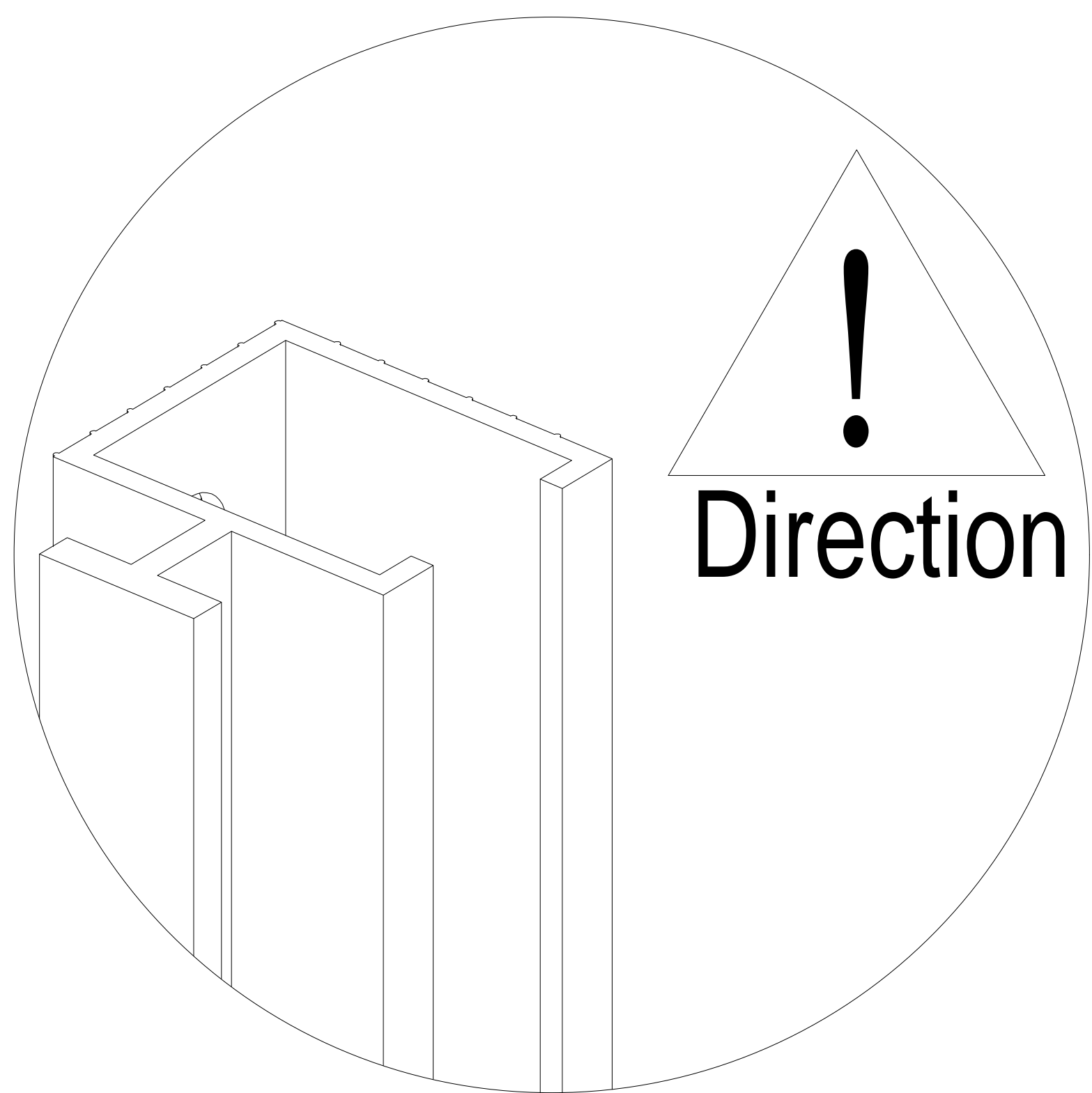
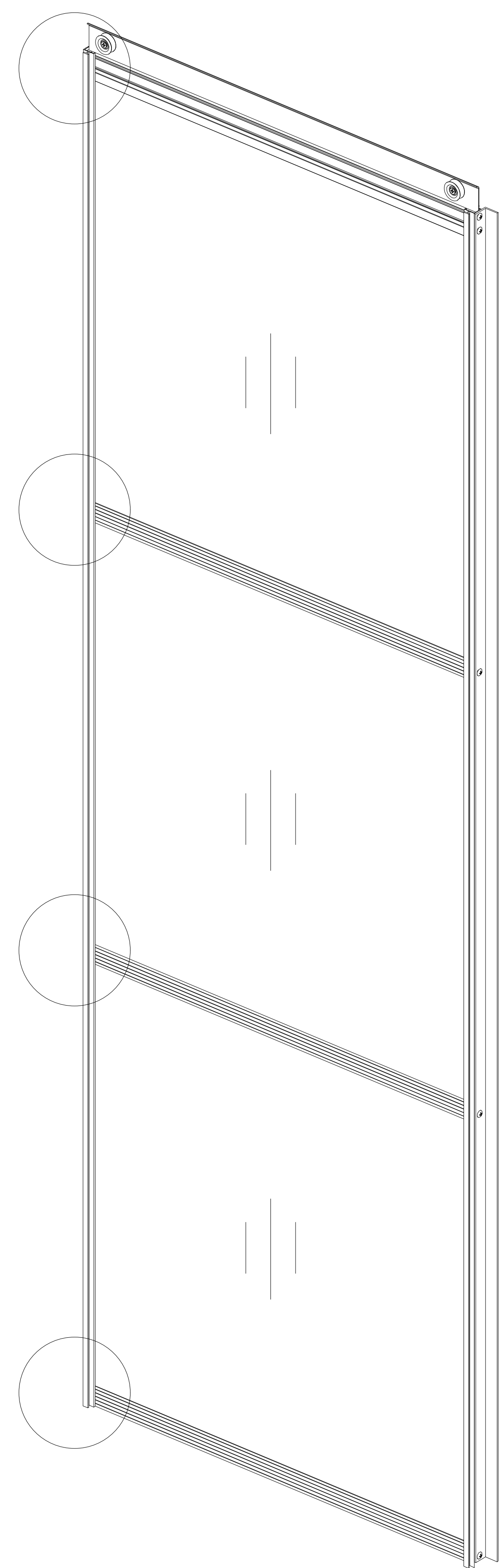


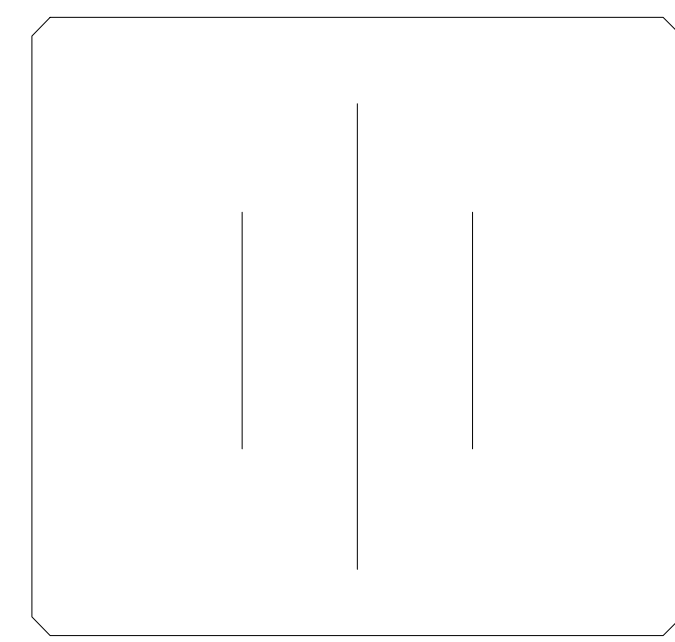
DOOR-Right



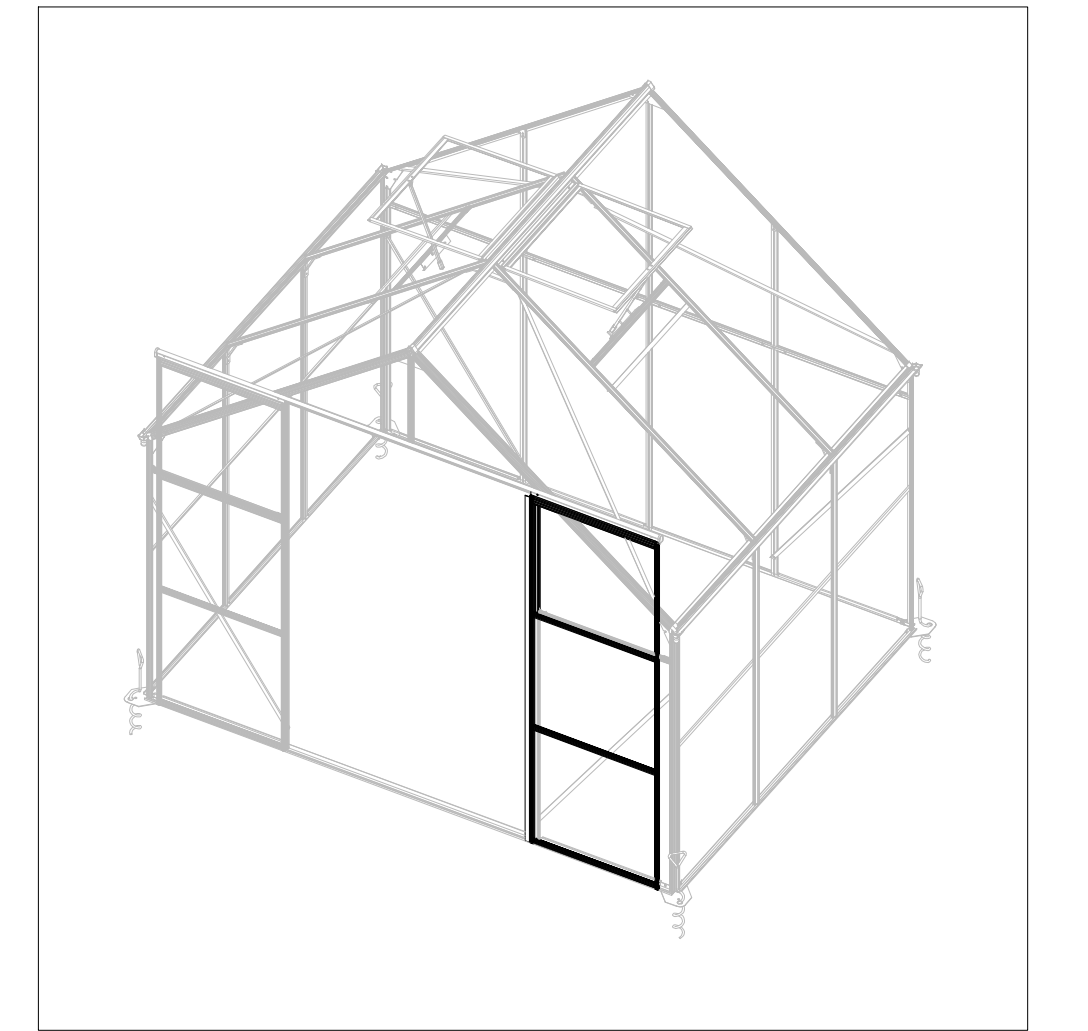


DOOR-Left

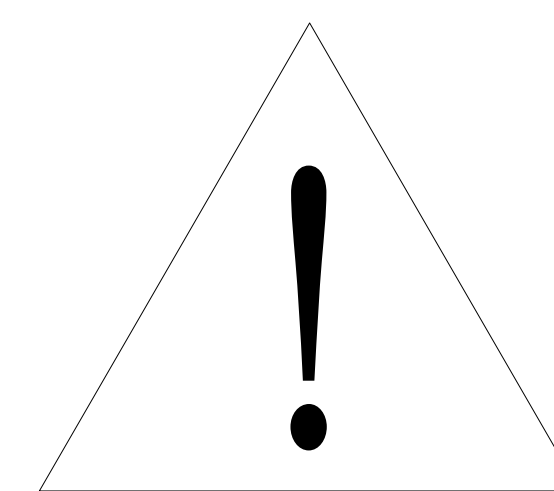
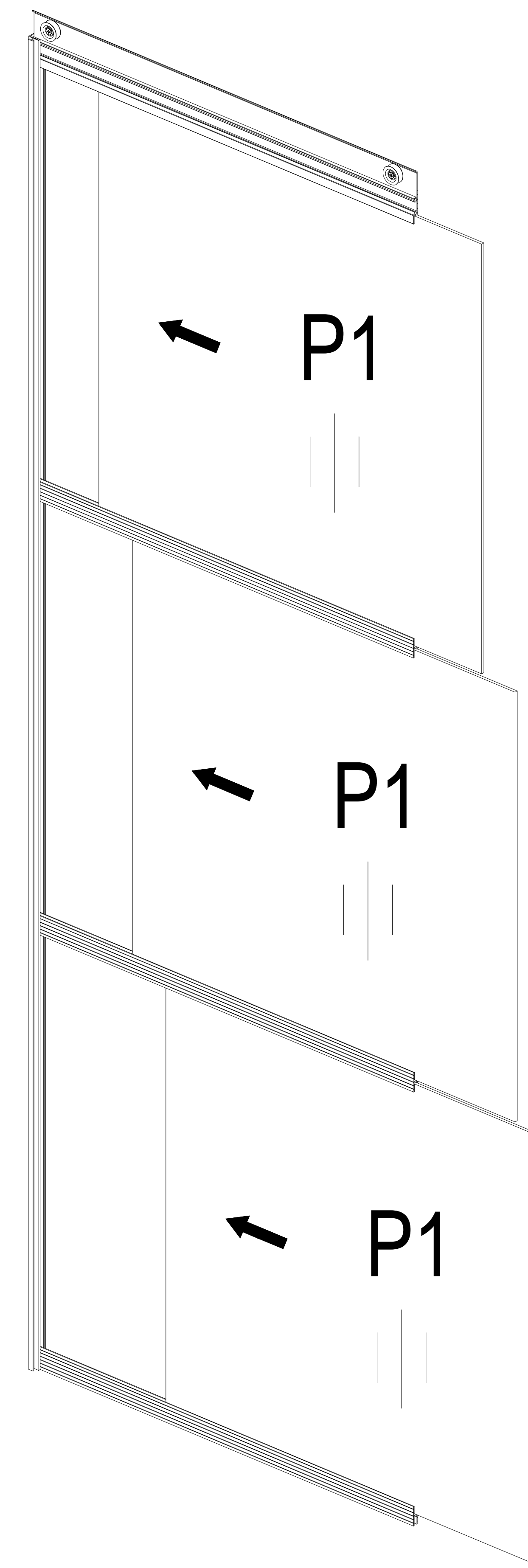
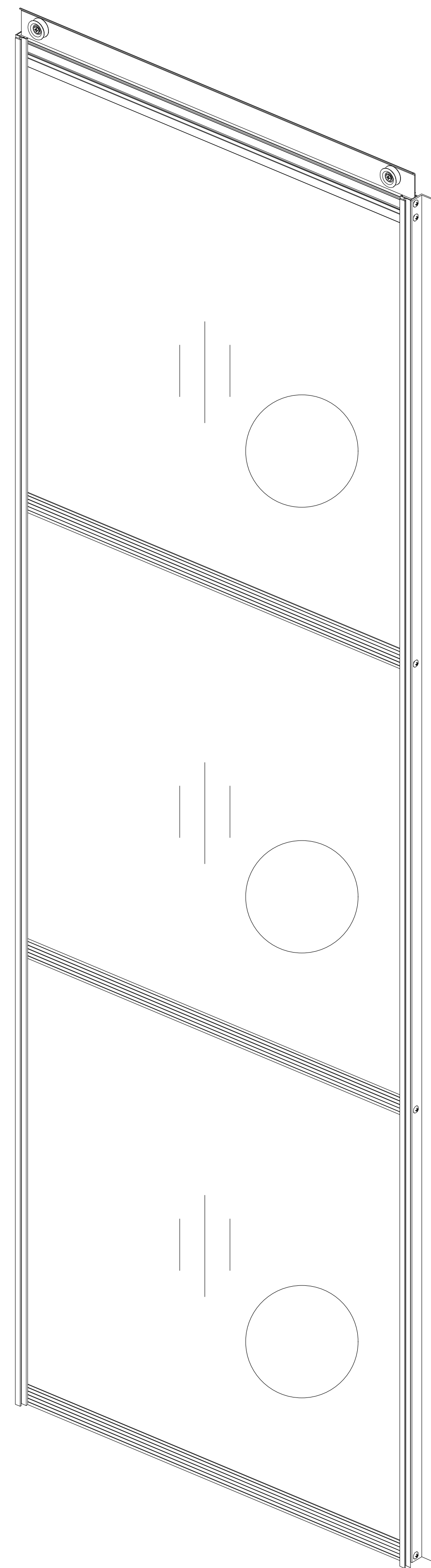




P1x3

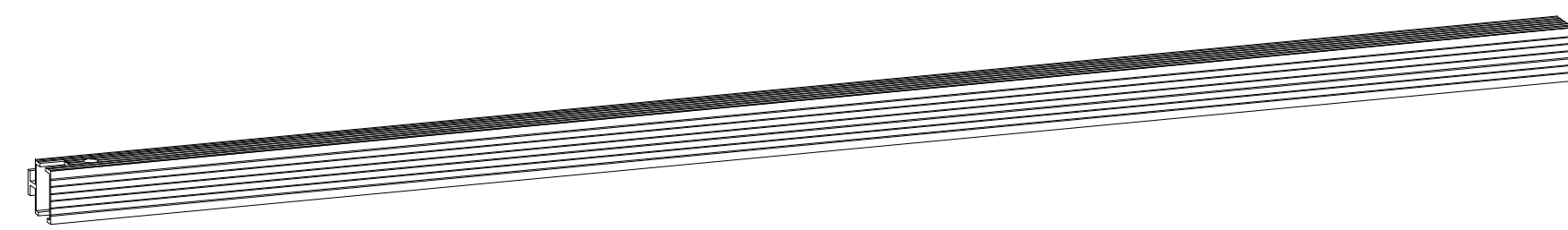
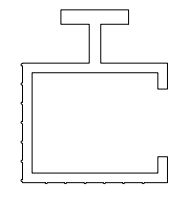


DOOR-Left

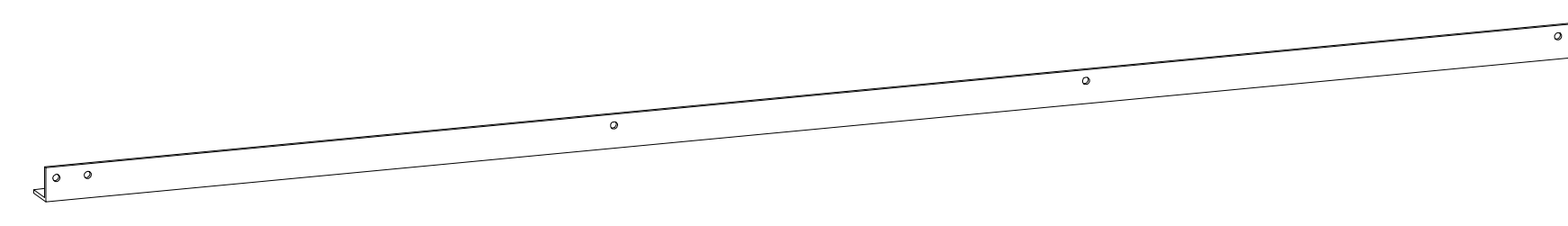
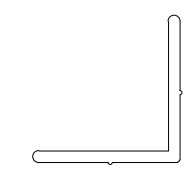


Note toward the UV surface to the Sun.

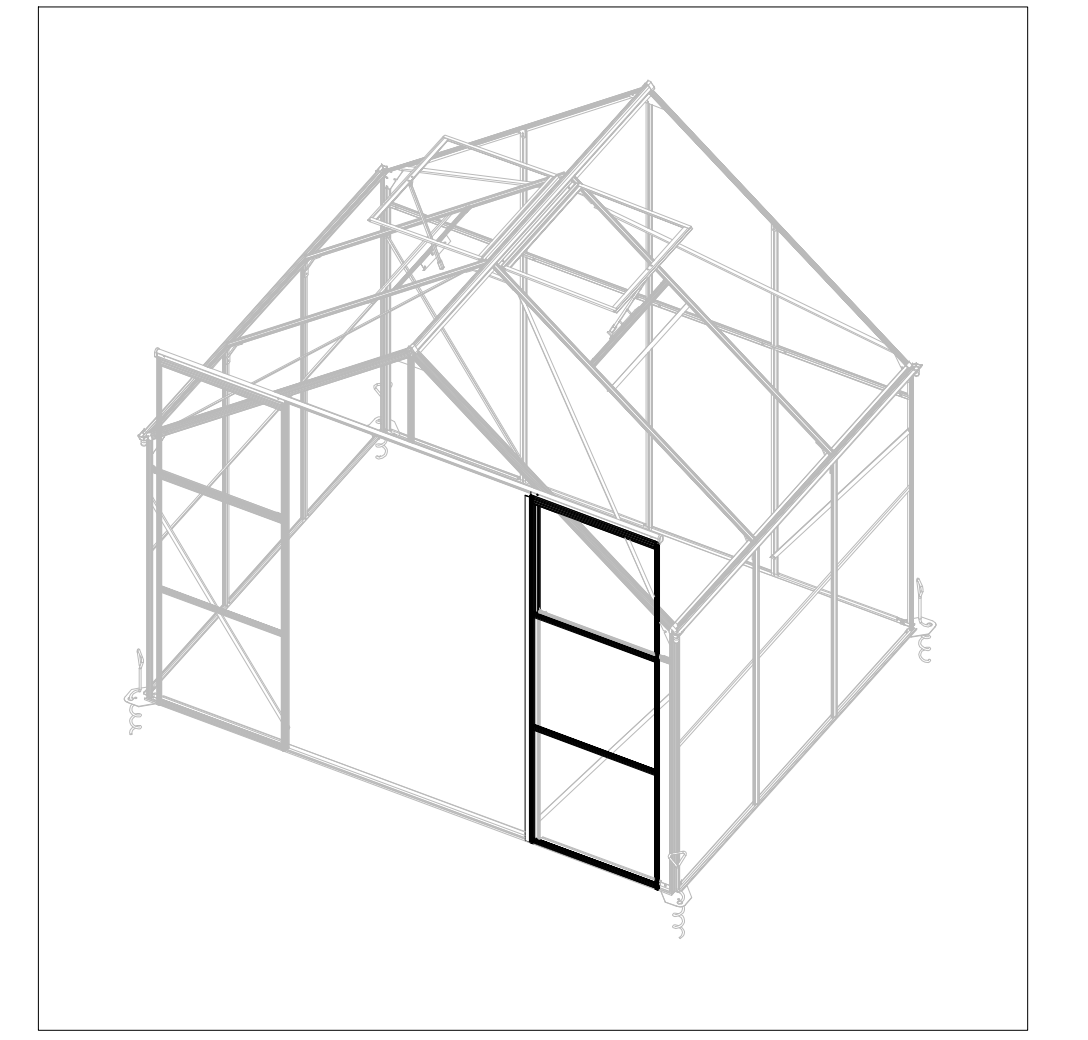
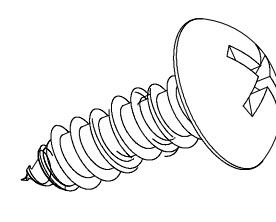
D1Rx1



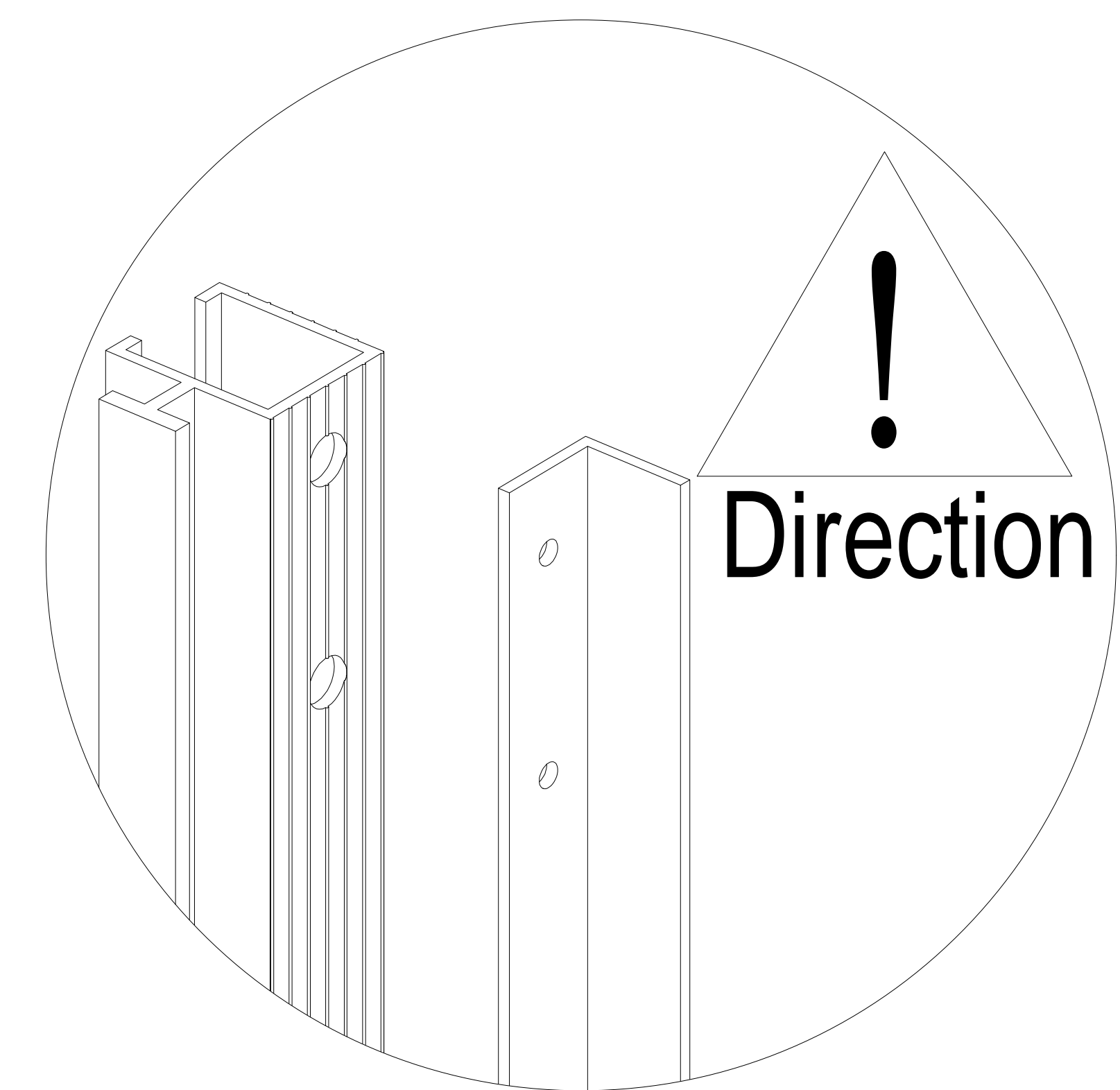
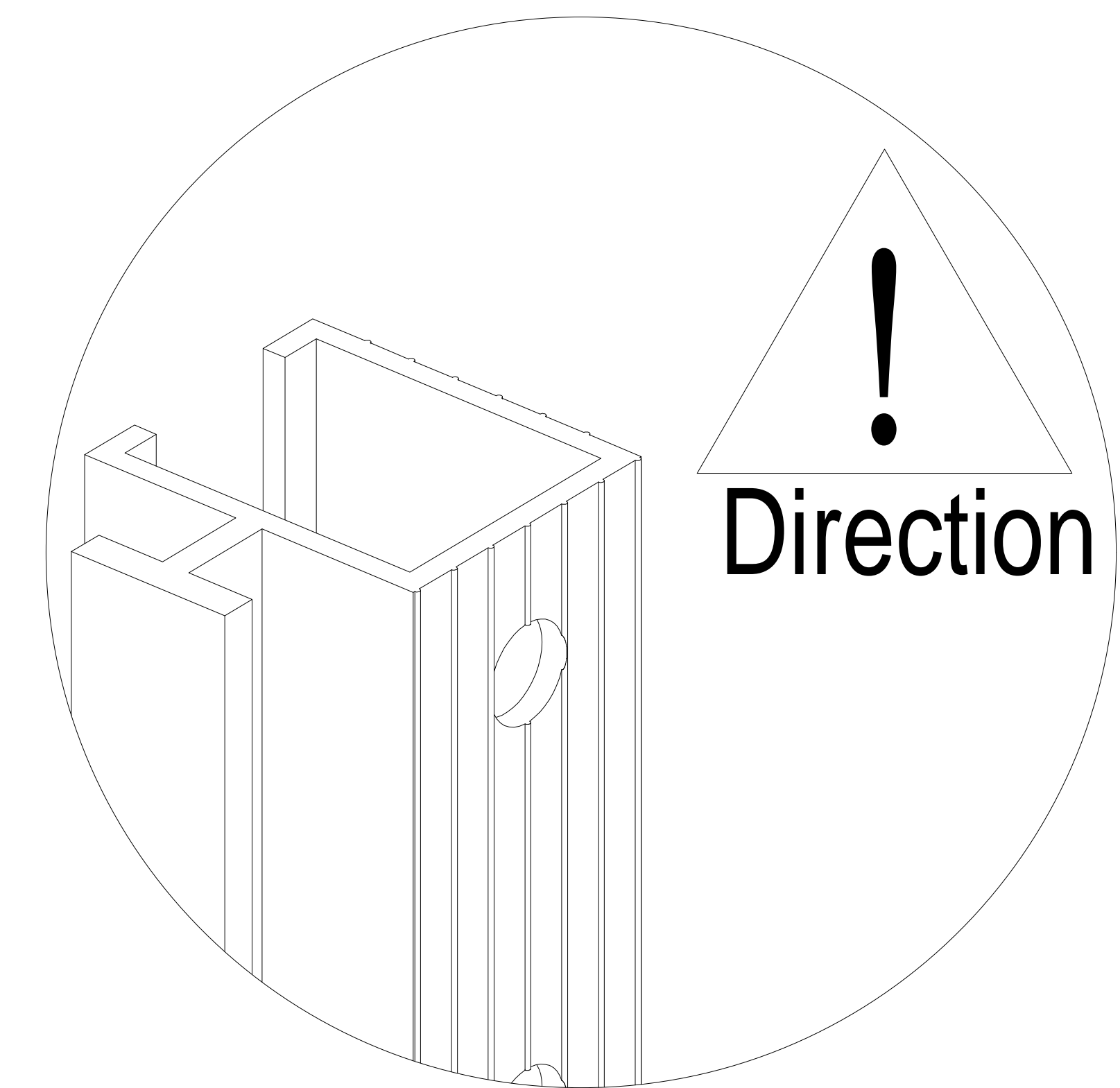
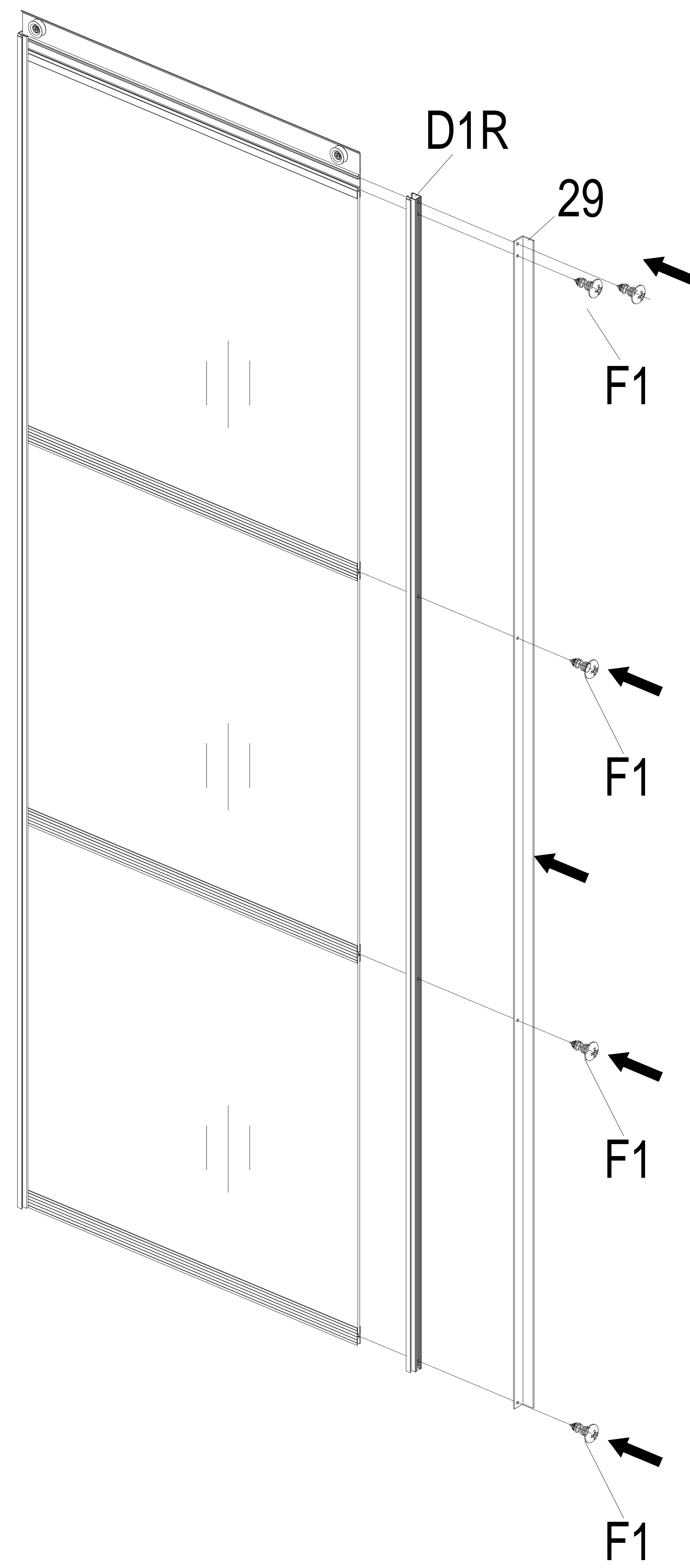
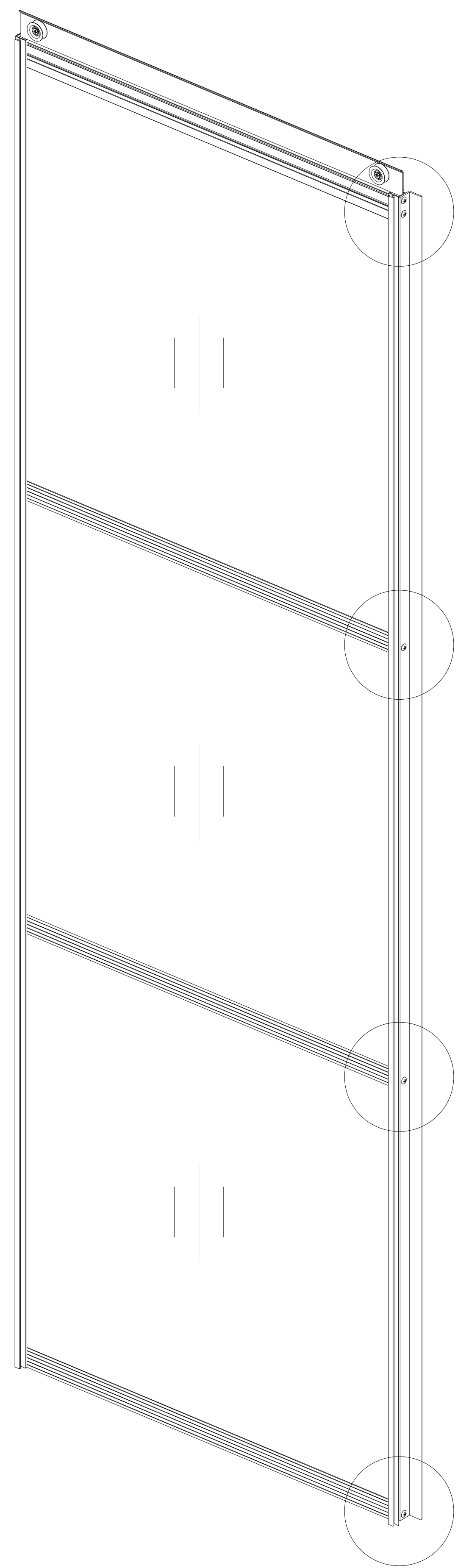
29x1

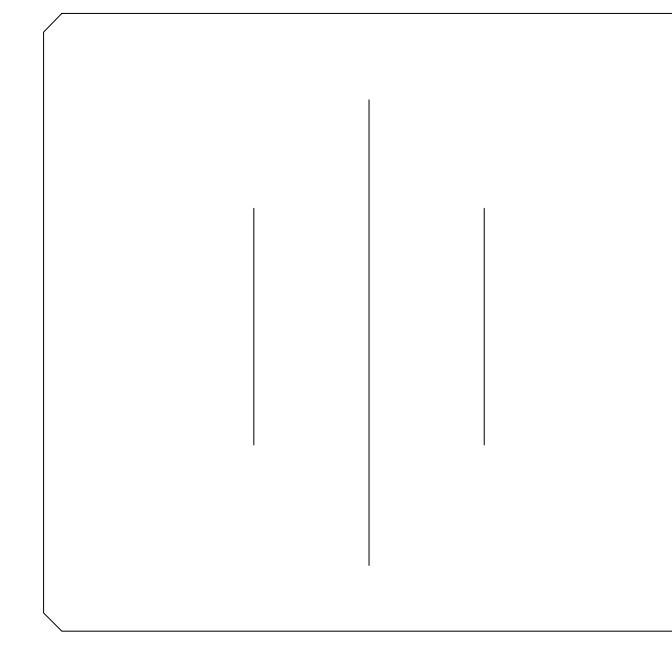
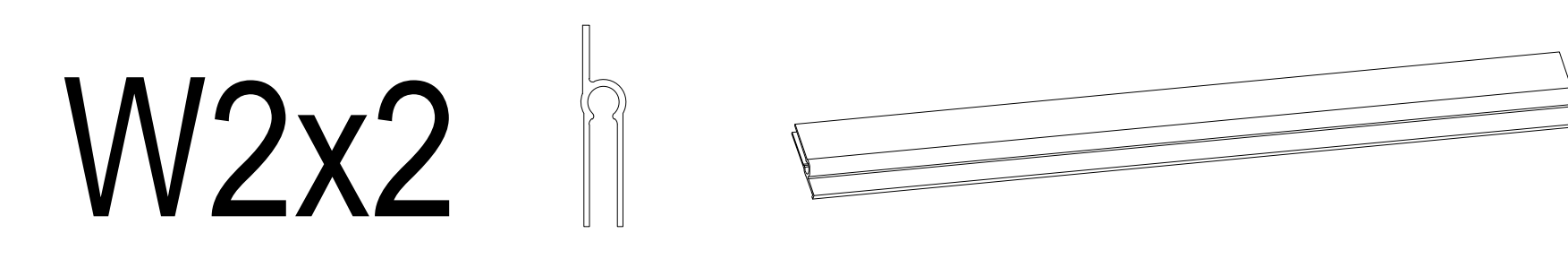
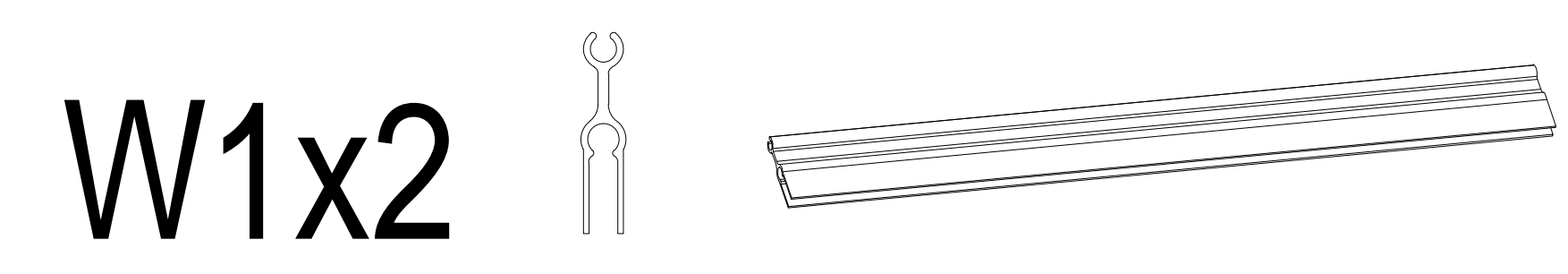


(ST4.2x10)
F1x5

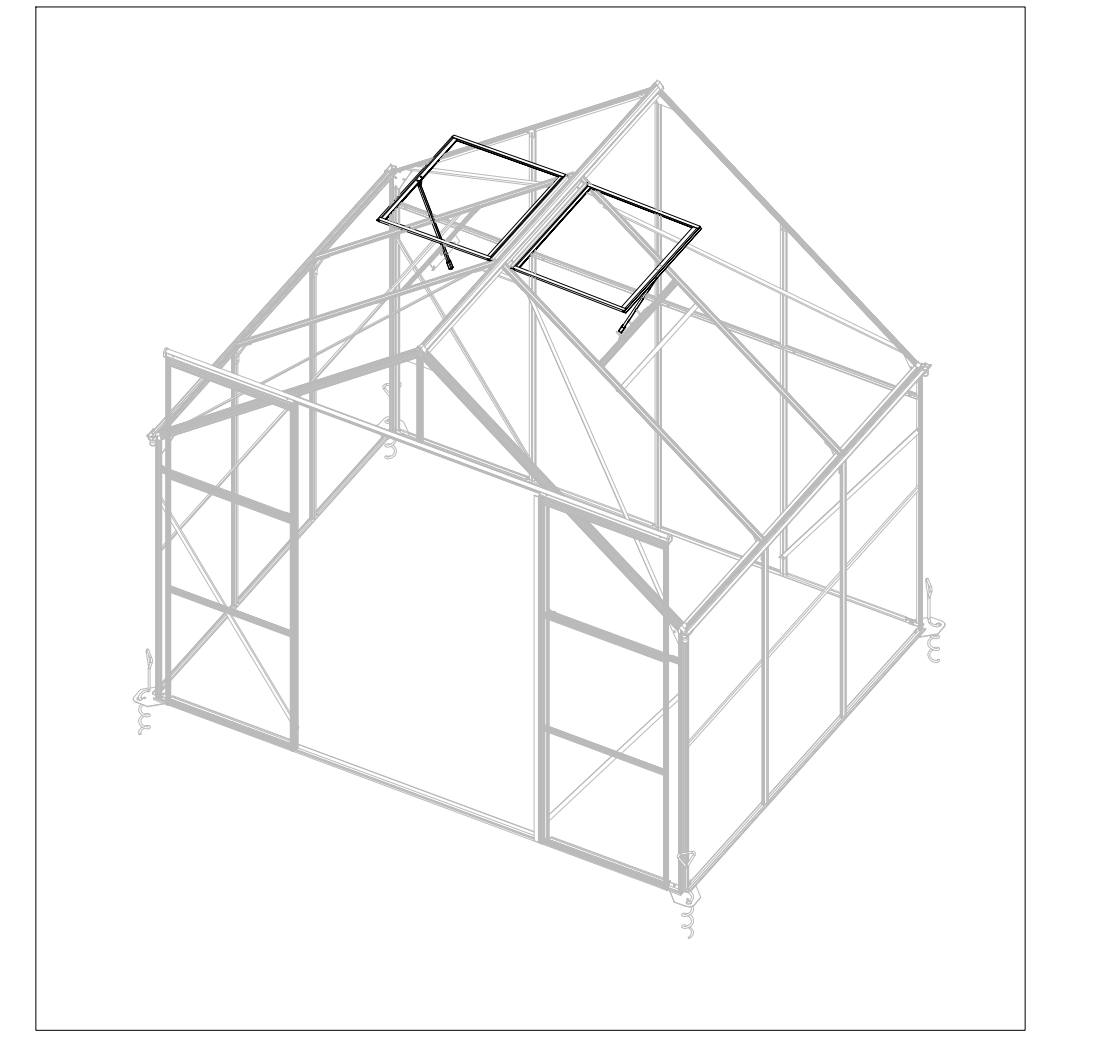


DOOR-Left

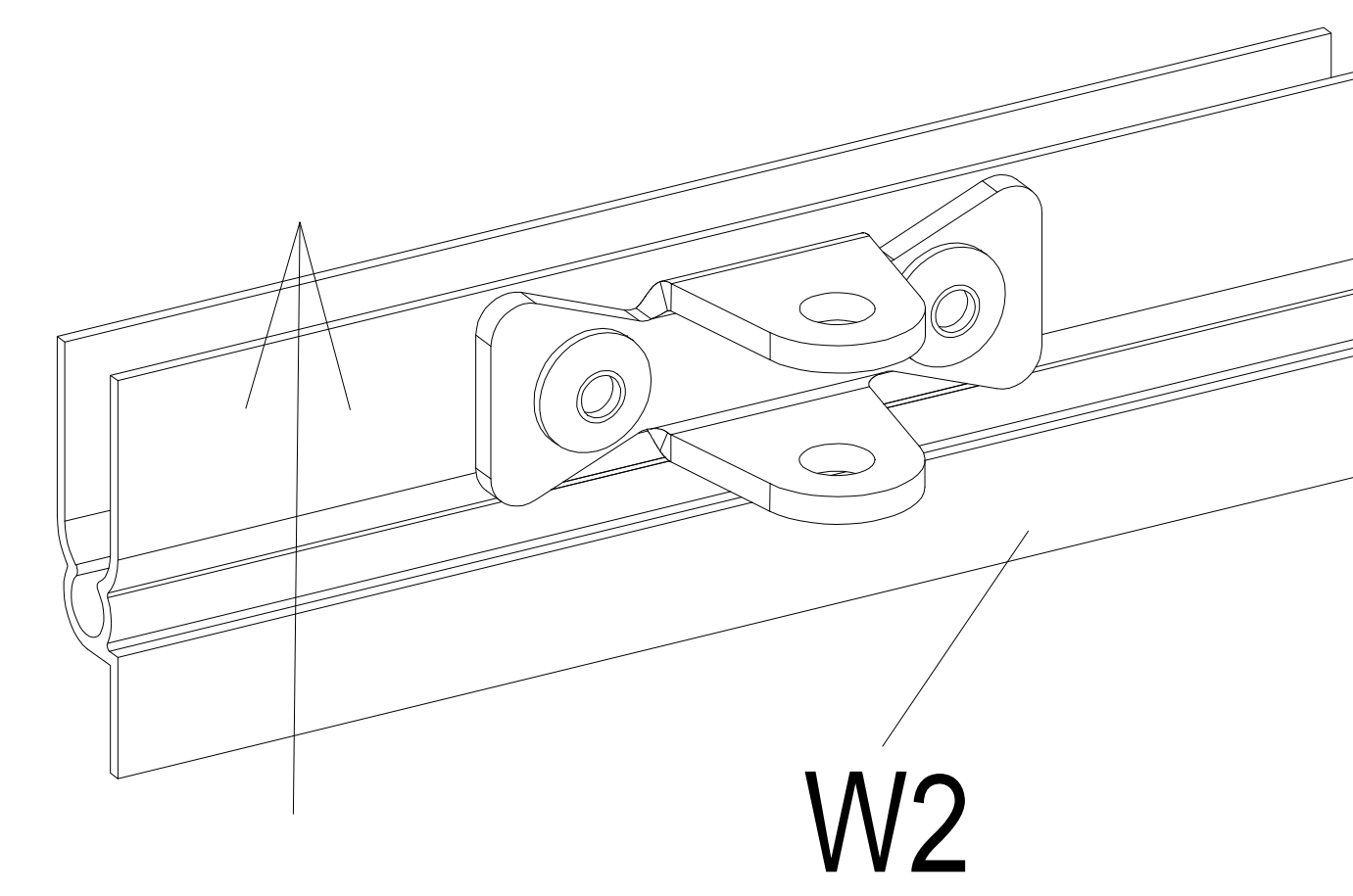
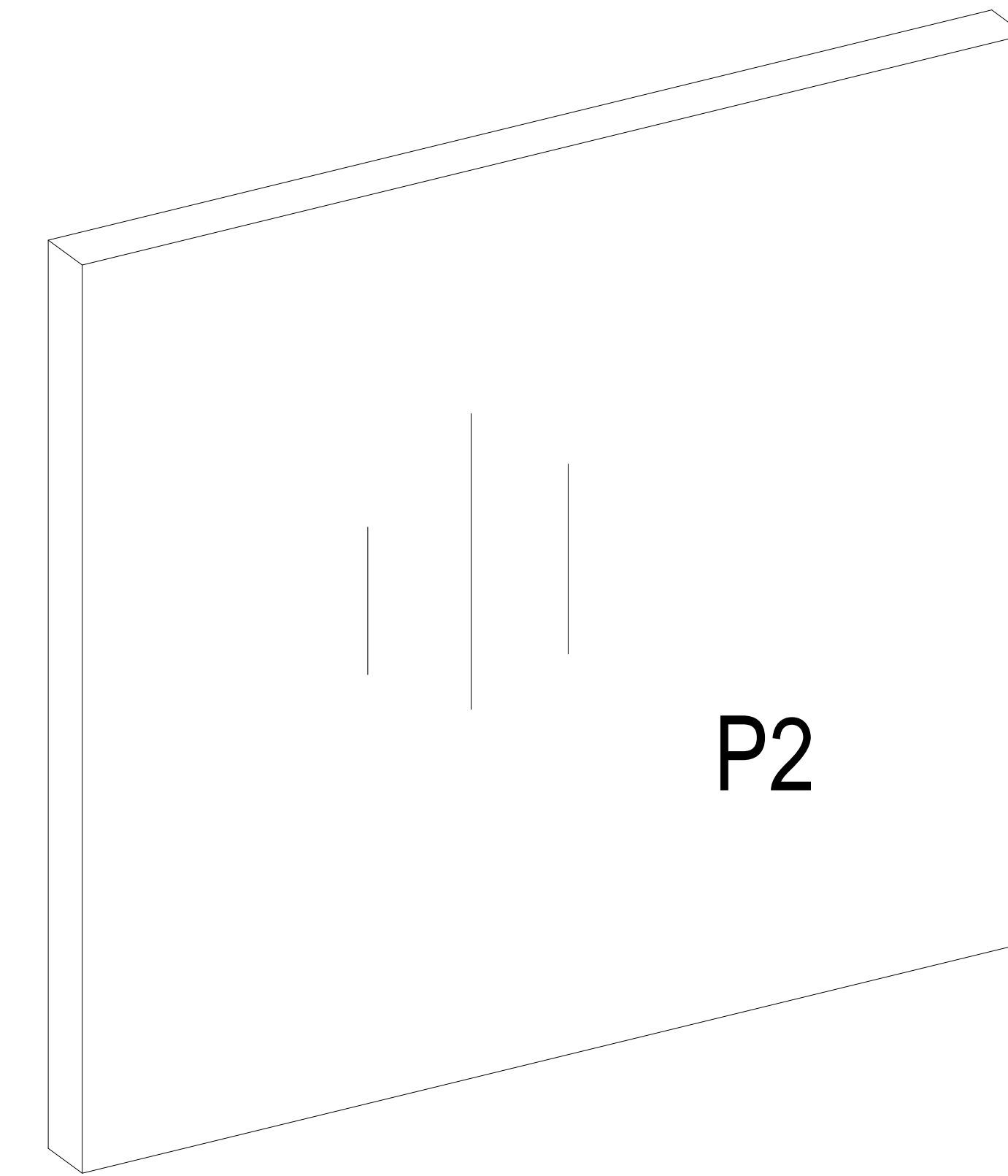
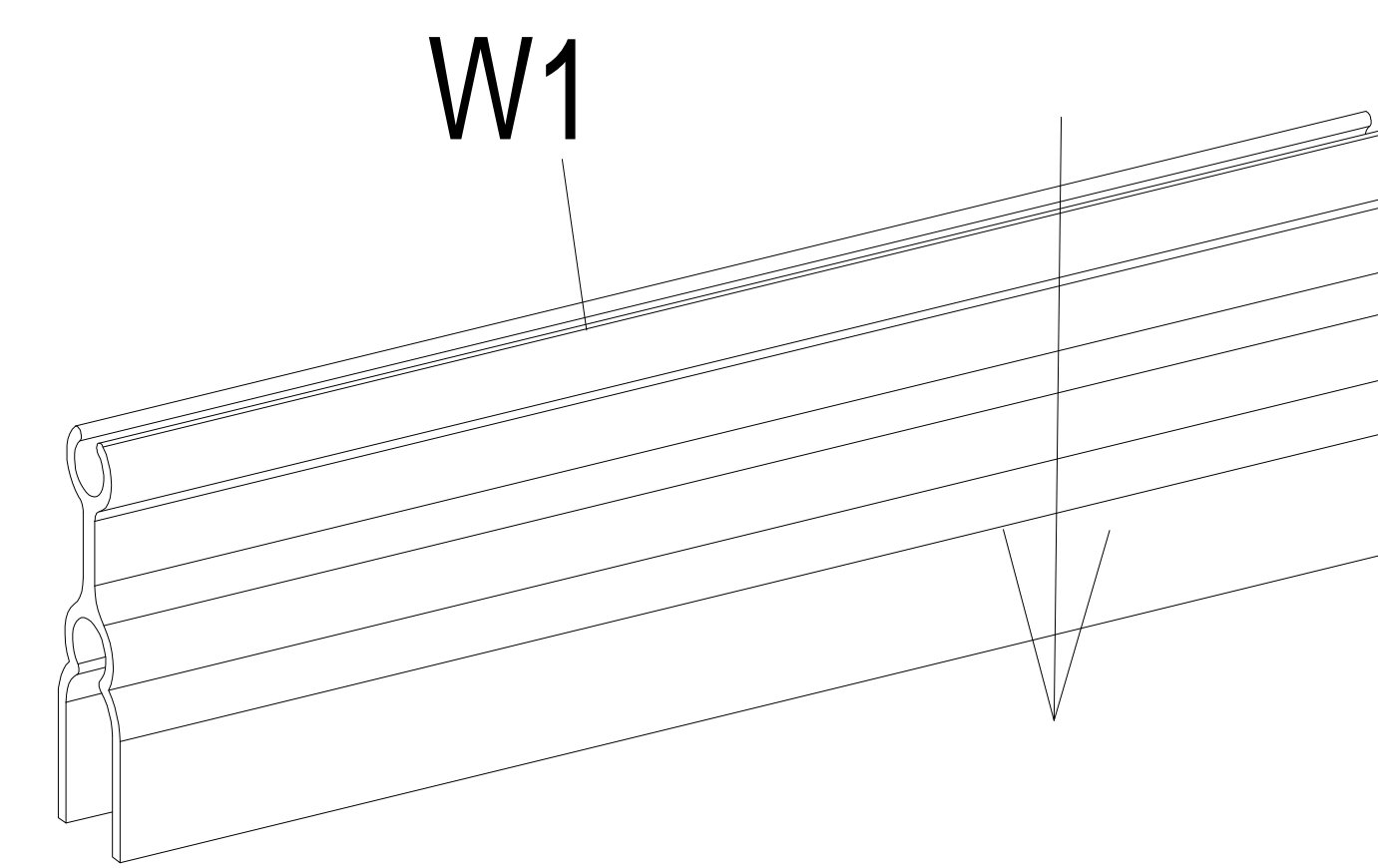
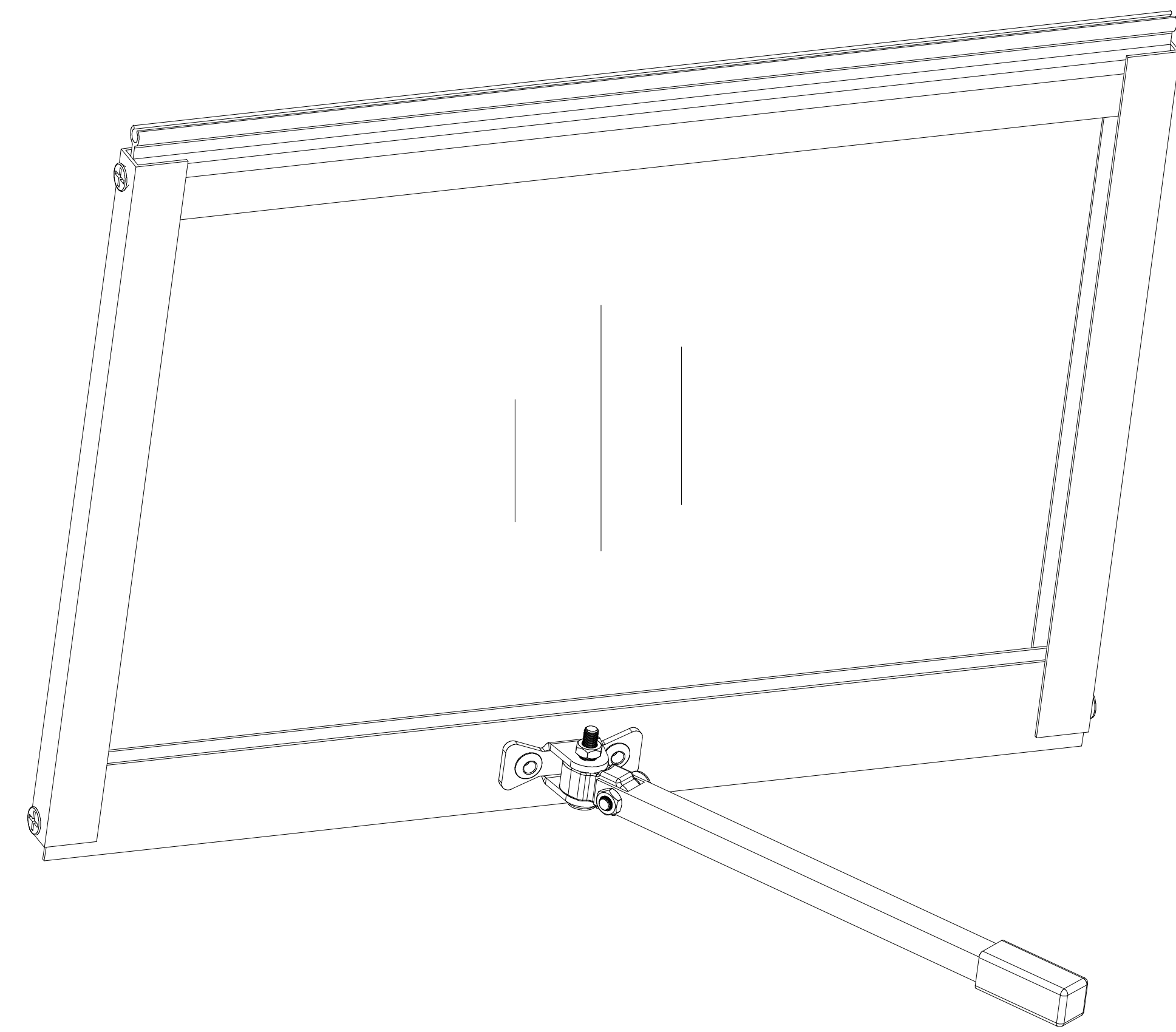




P2x6

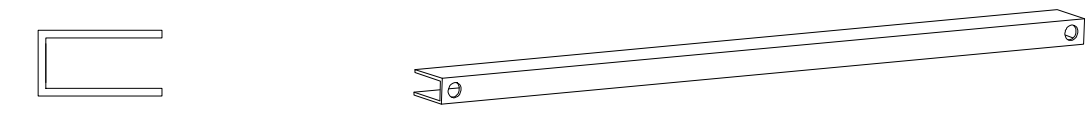


WINDOW x2

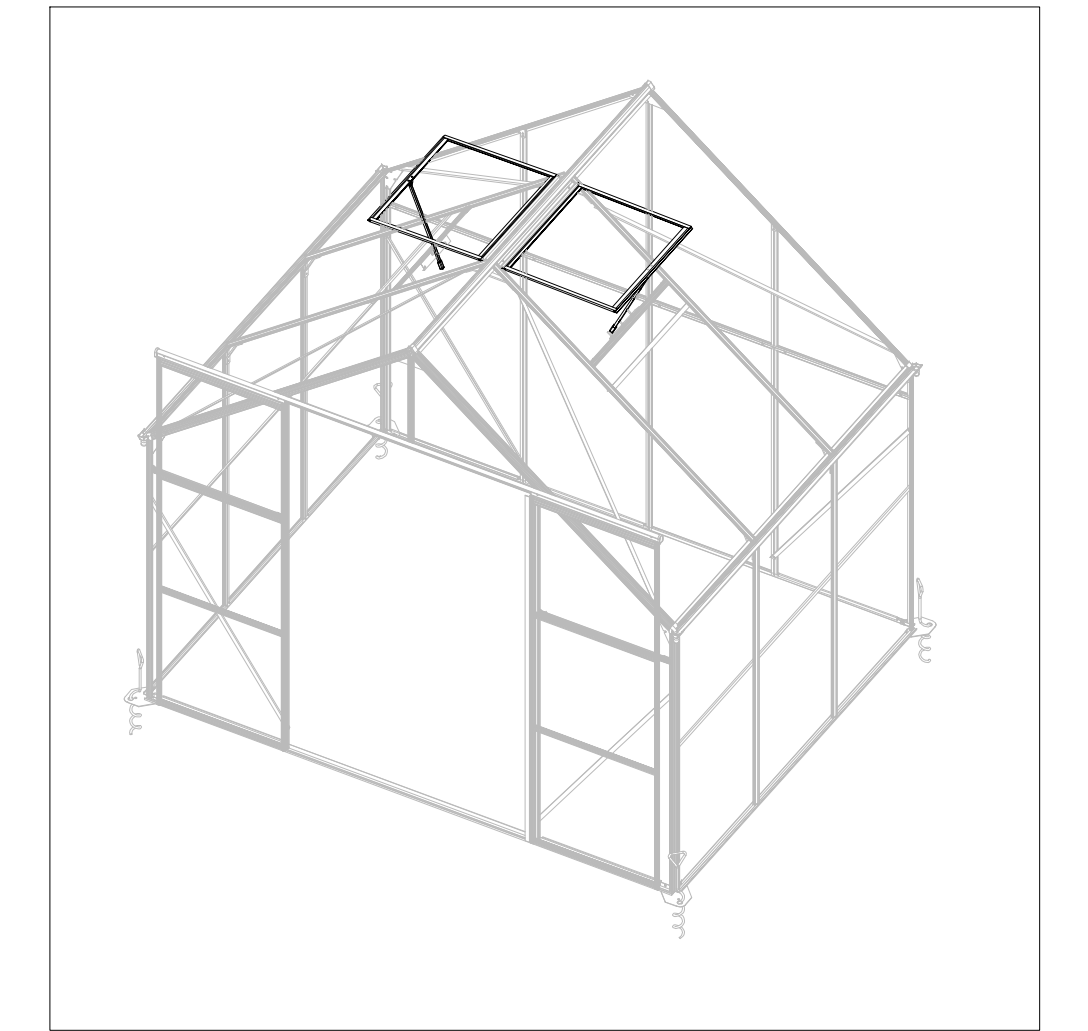


x2

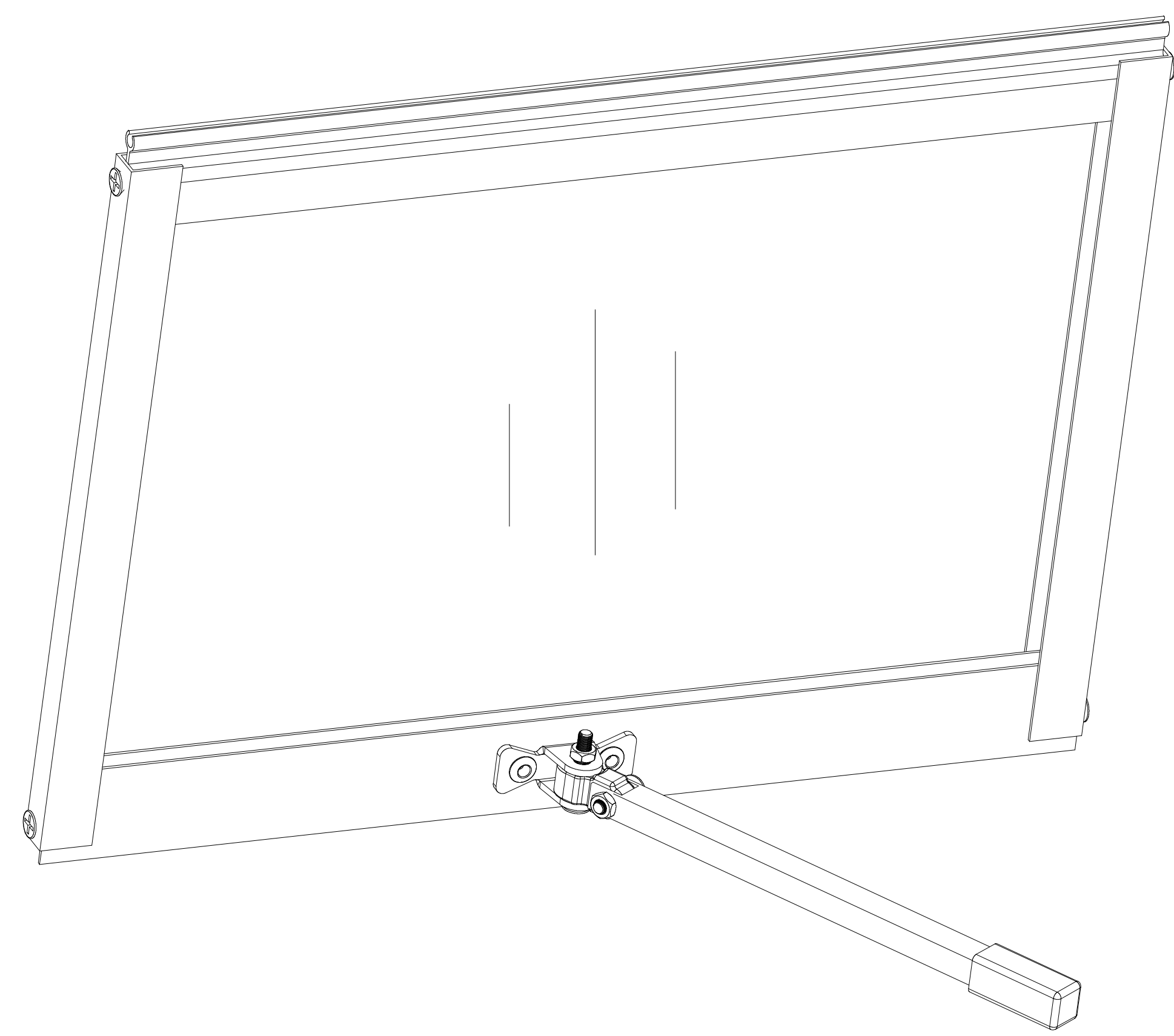
W3x4



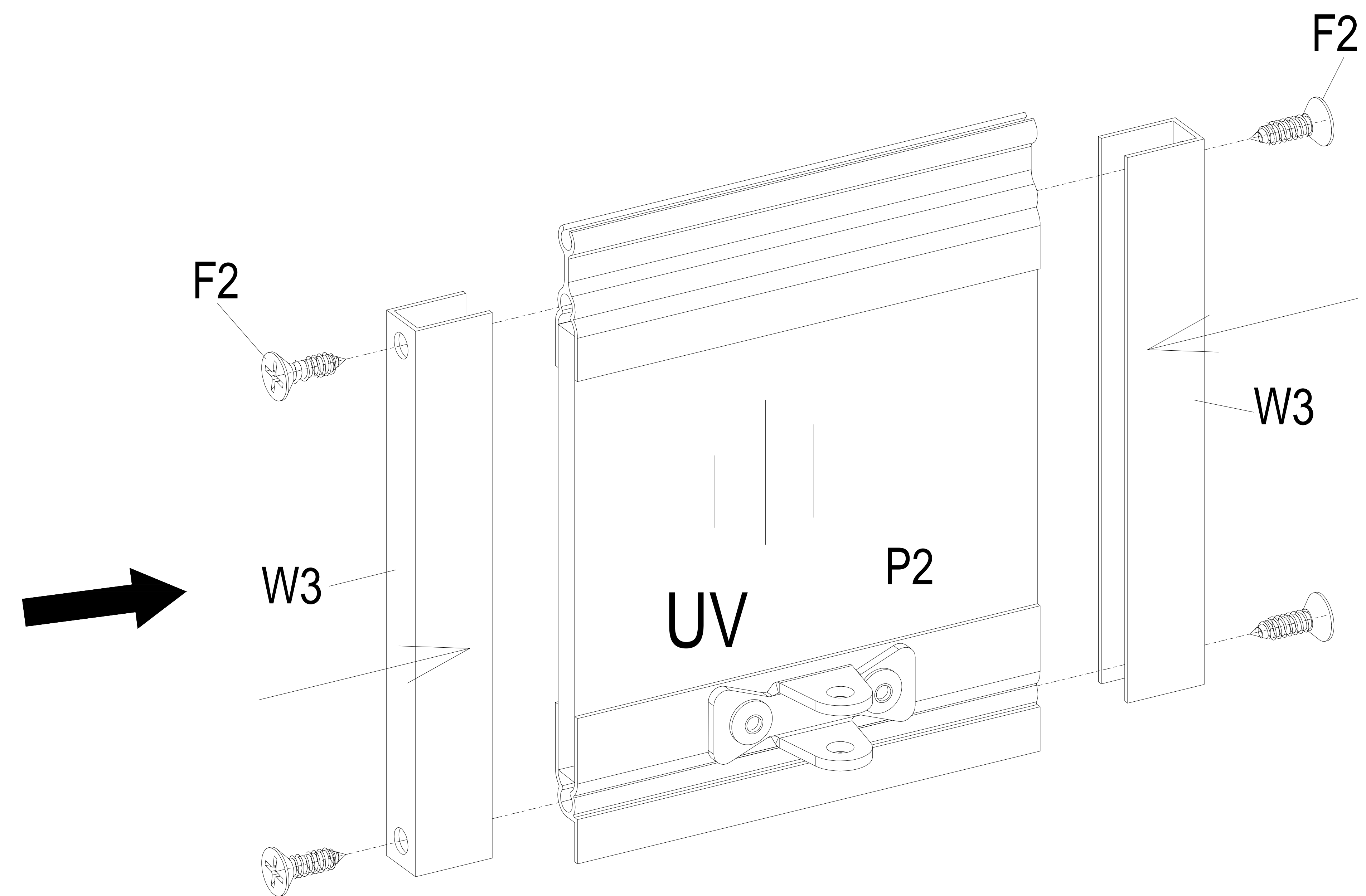

(ST4.8x16)
F2x8



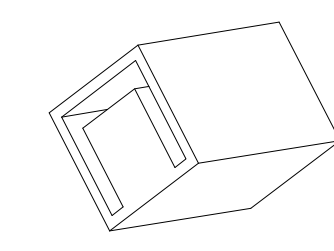
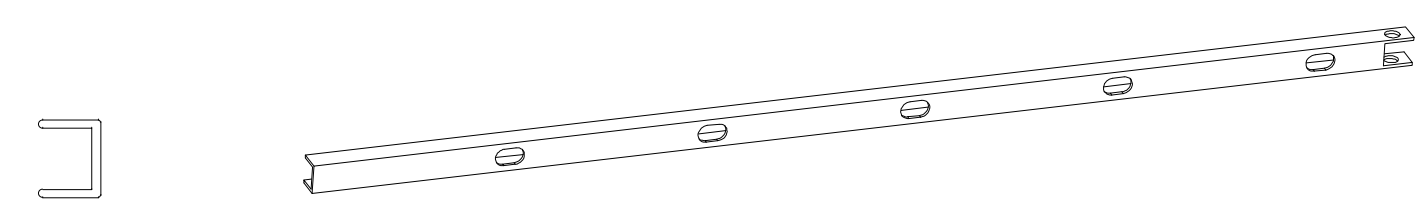
WINDOW x2



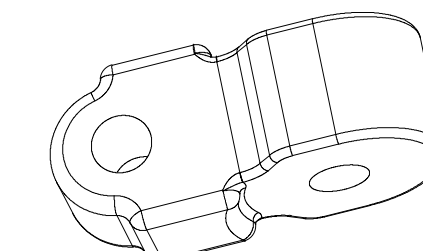
x2



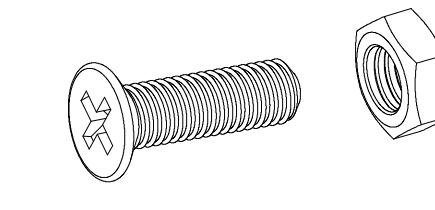
W4x2



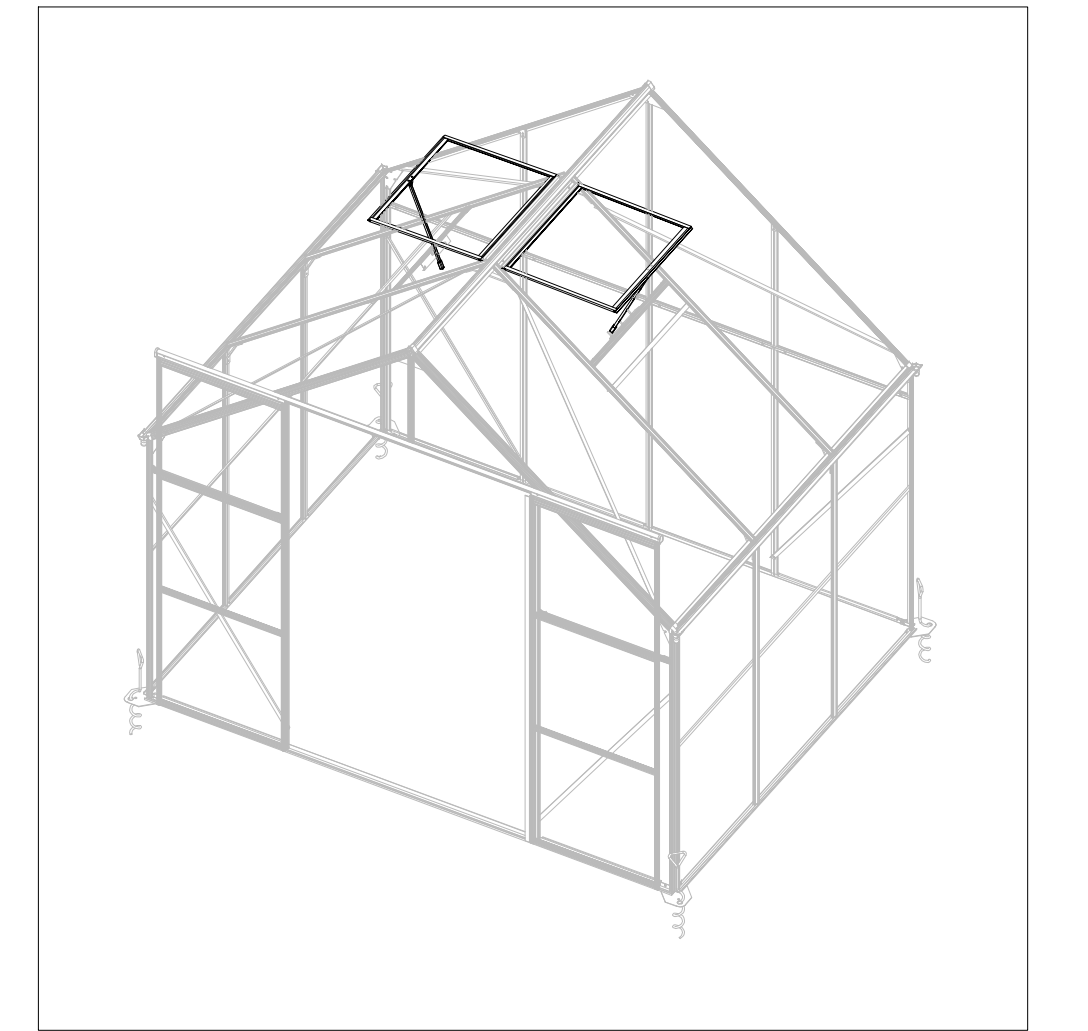
S8x2



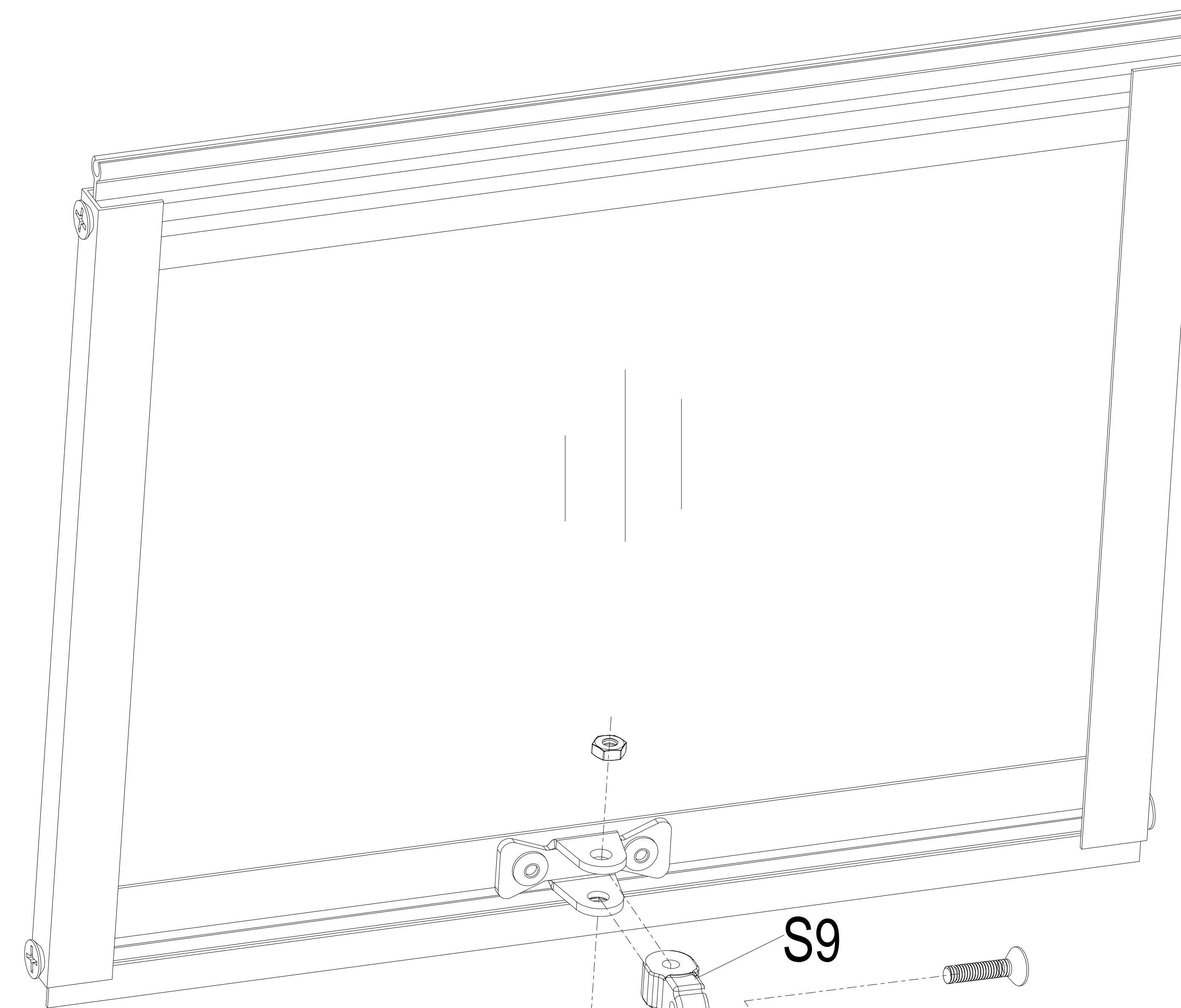
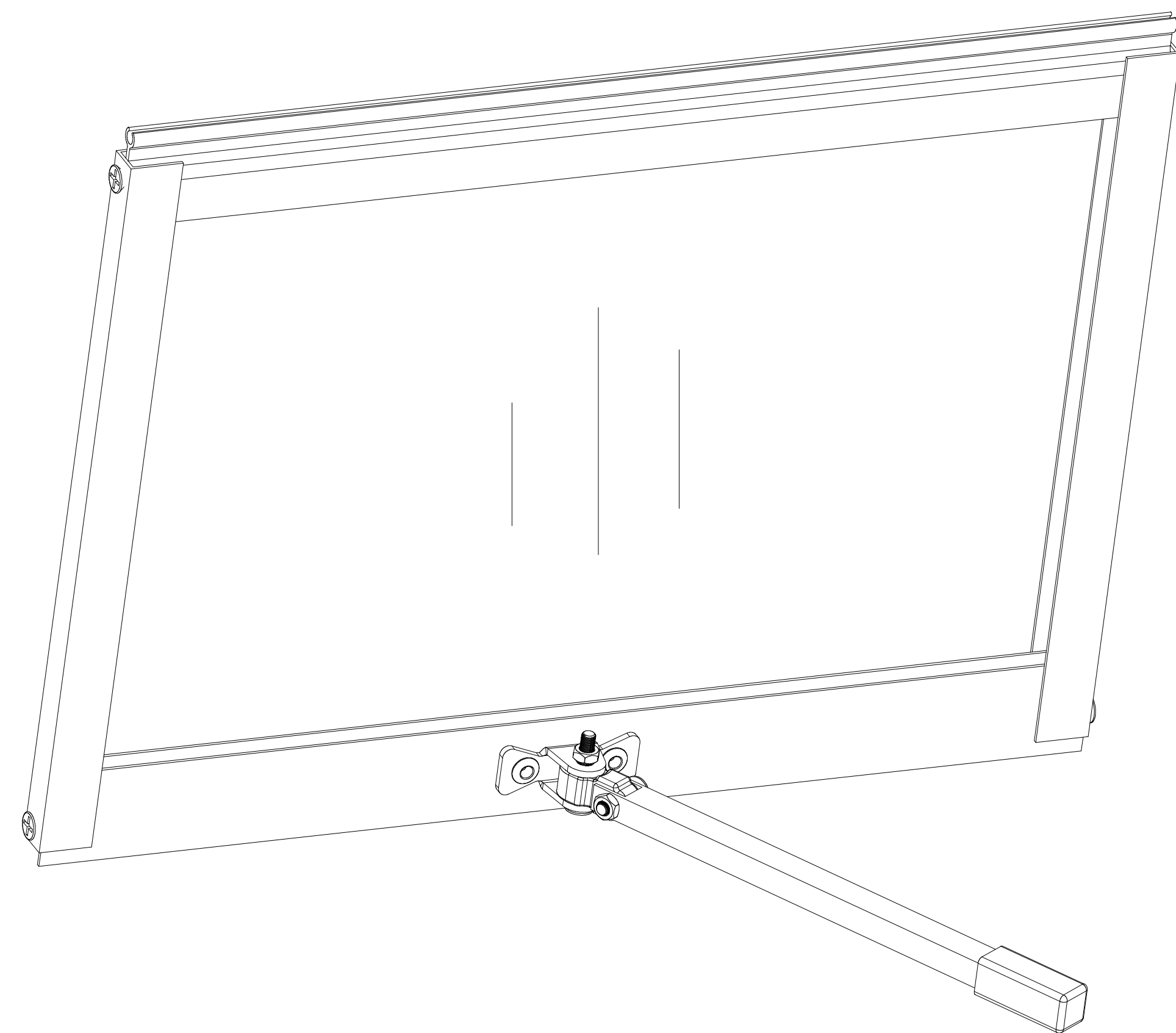
S9x2



(M4x20)
F7x4



WINDOW x2



F7

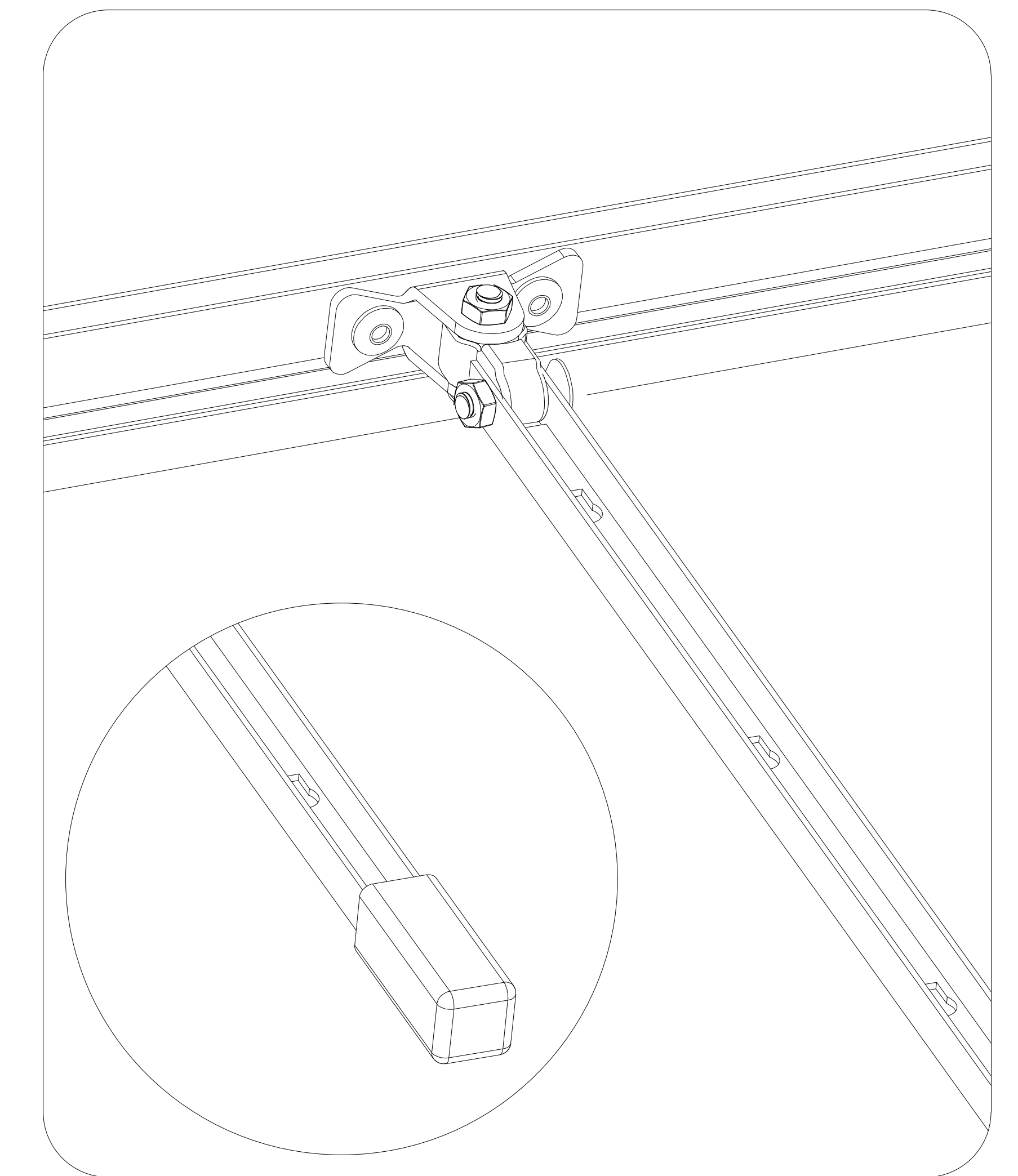
F7

S9

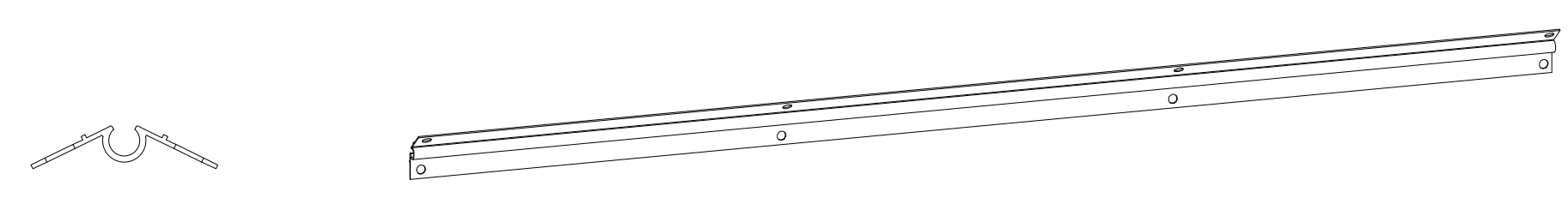
W4

S8

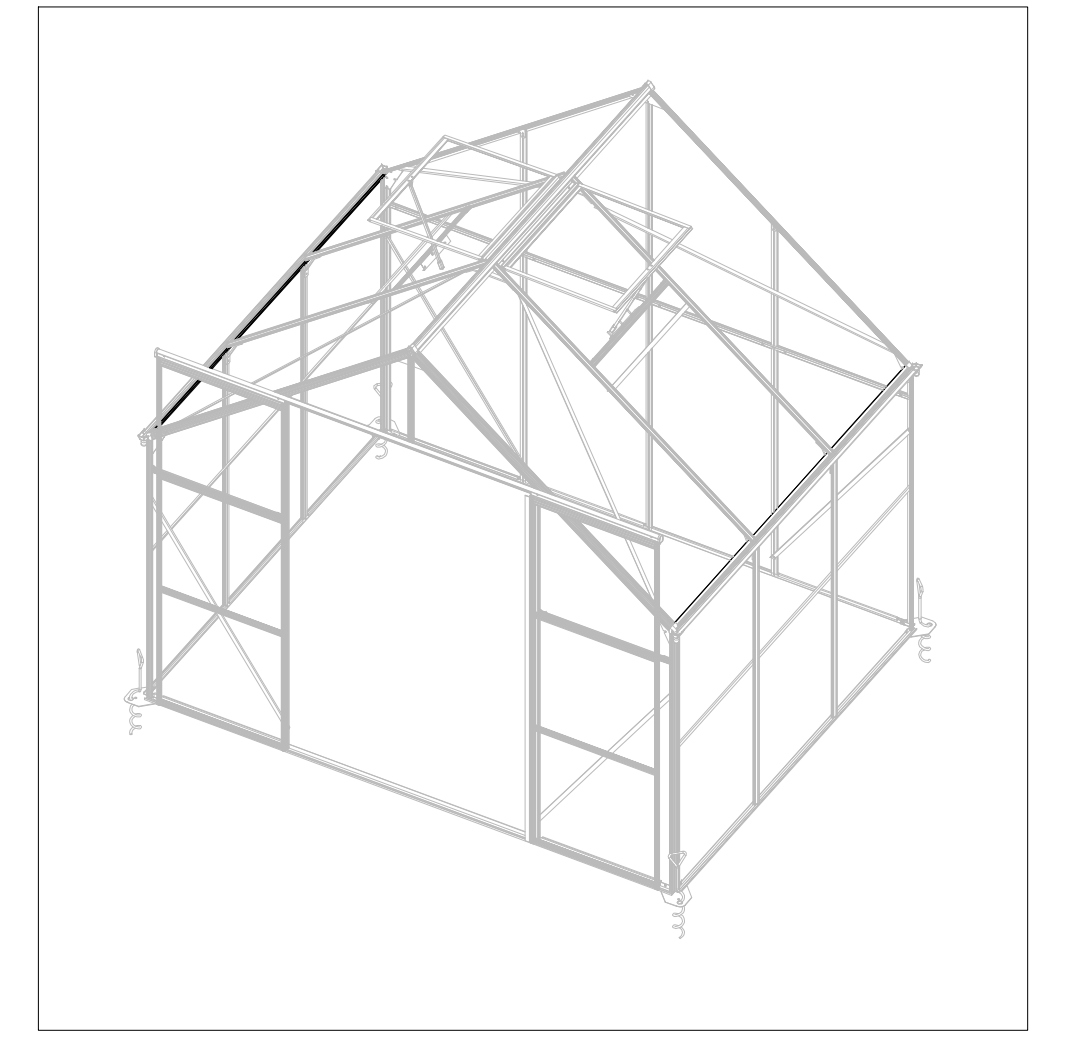
x2



7x2

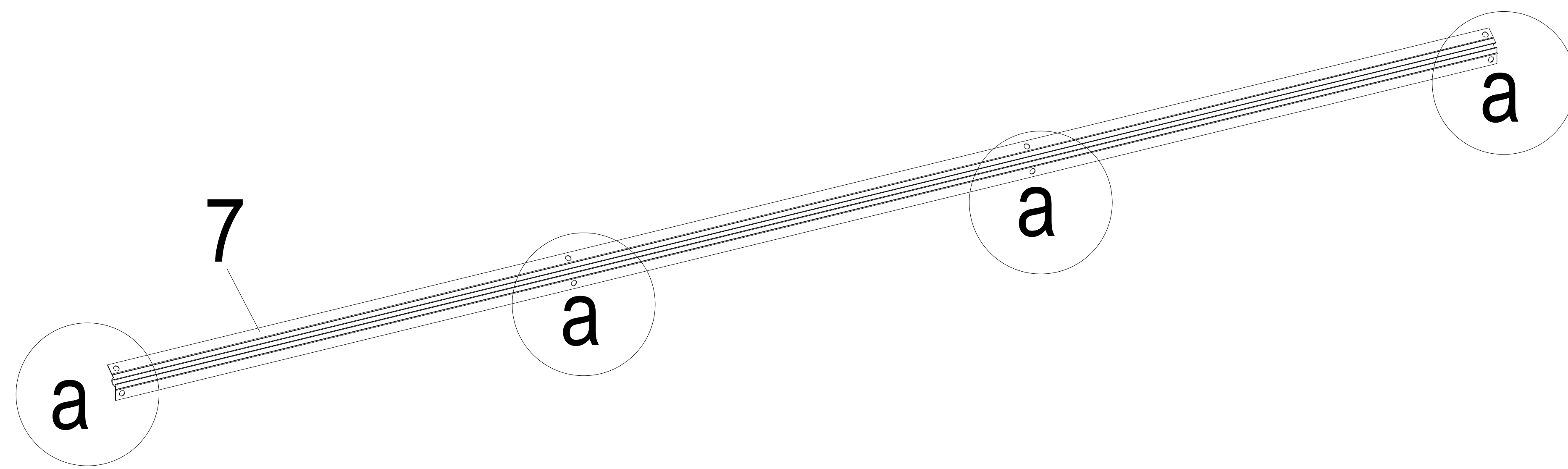


(M5x10)
F4x16

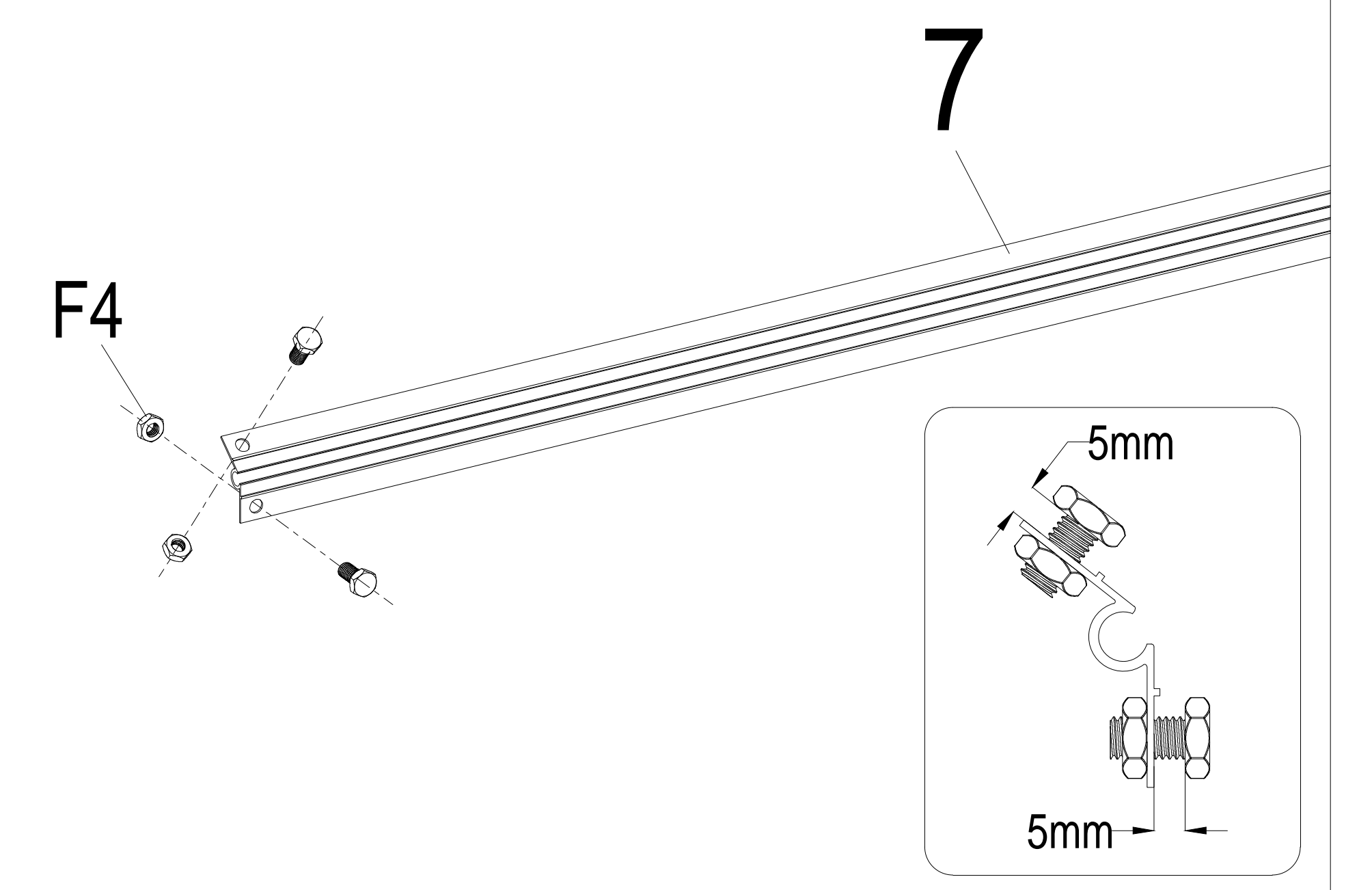


a.

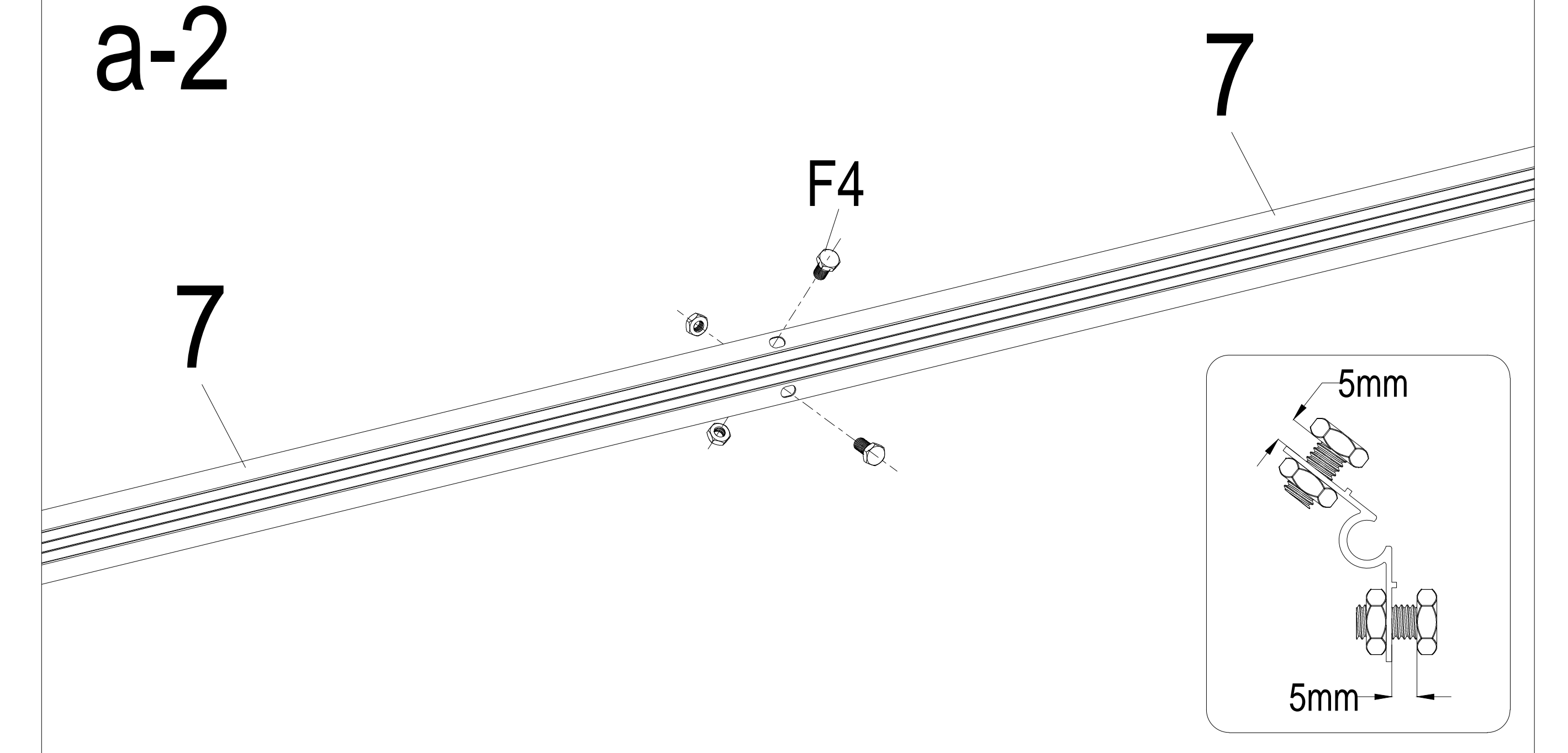
x2



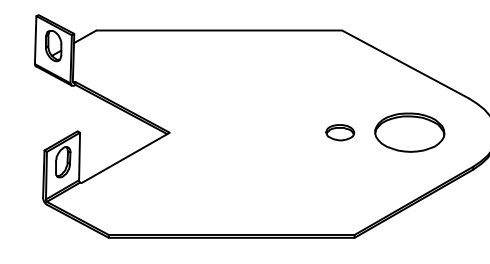
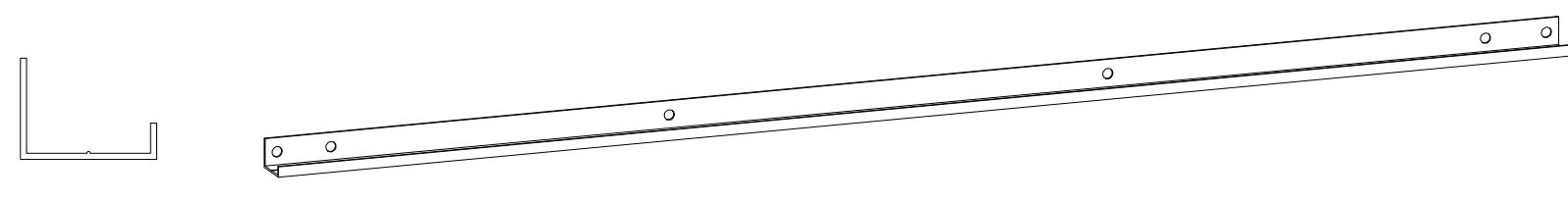
a-1



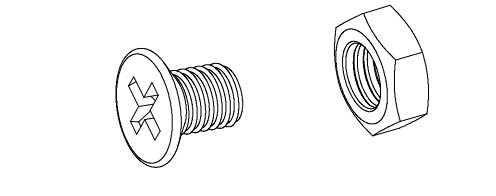
a-2



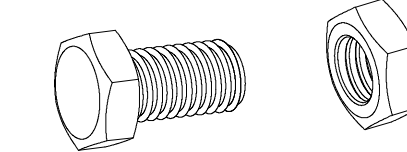
26x2



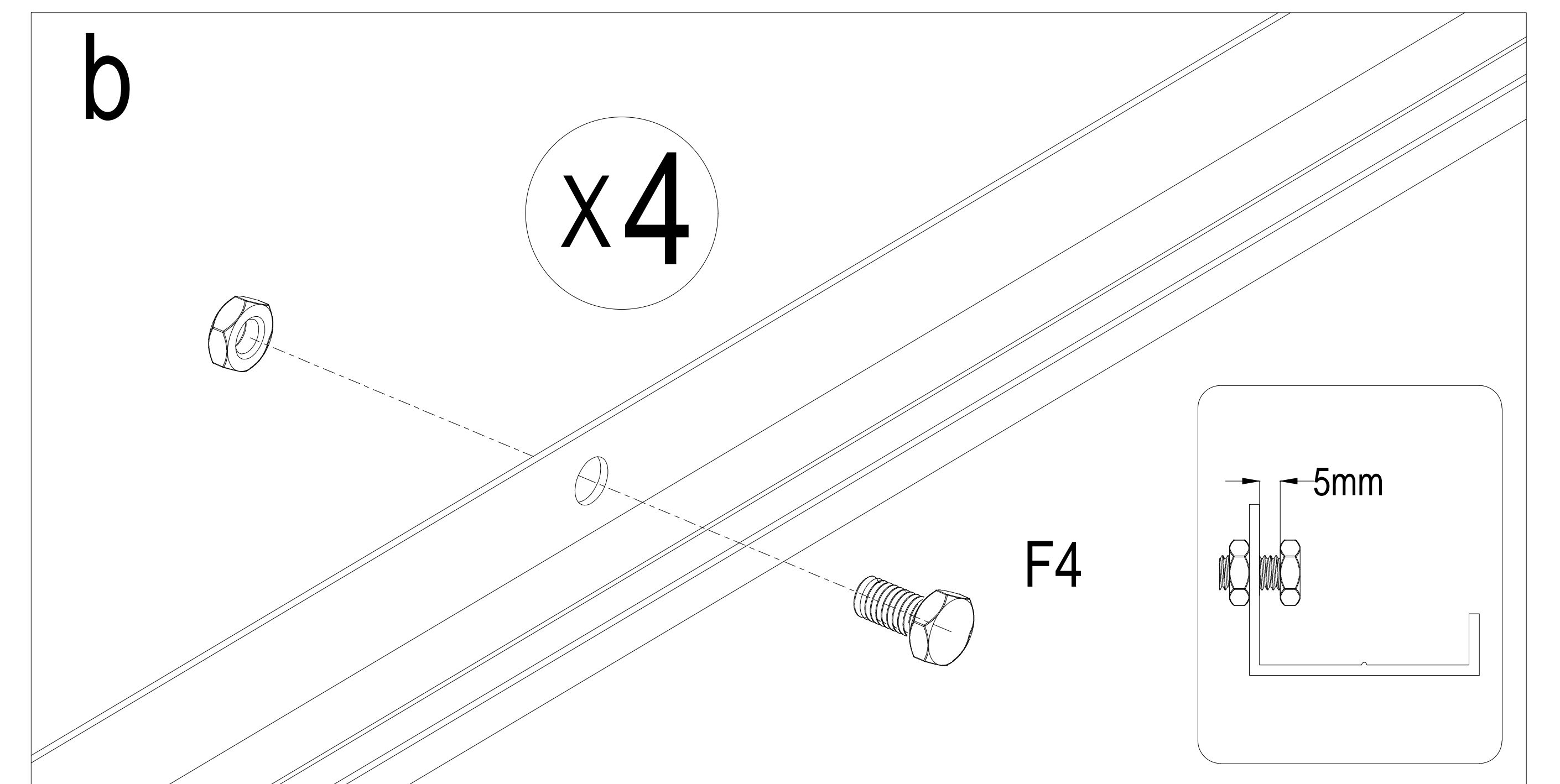
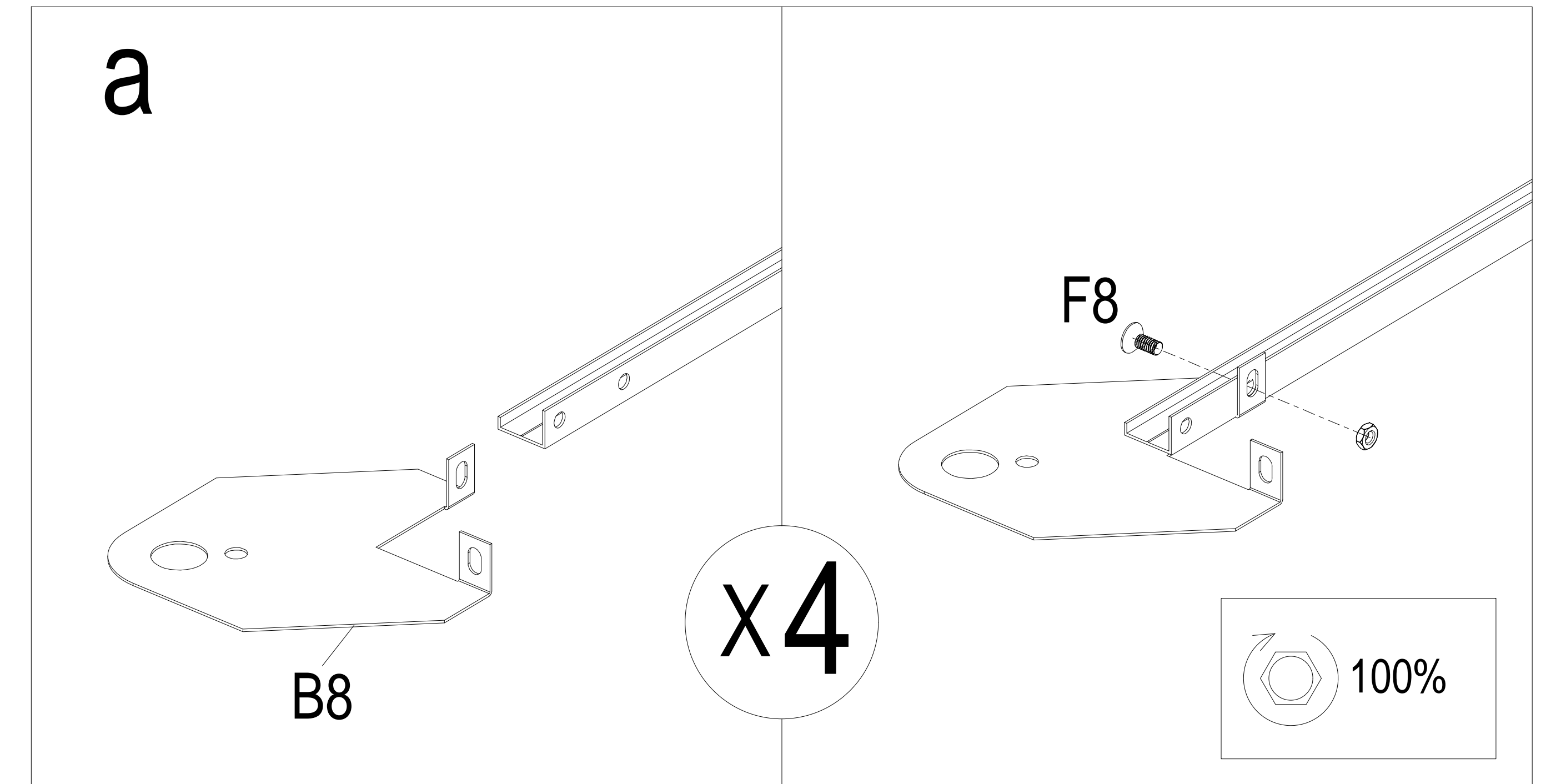
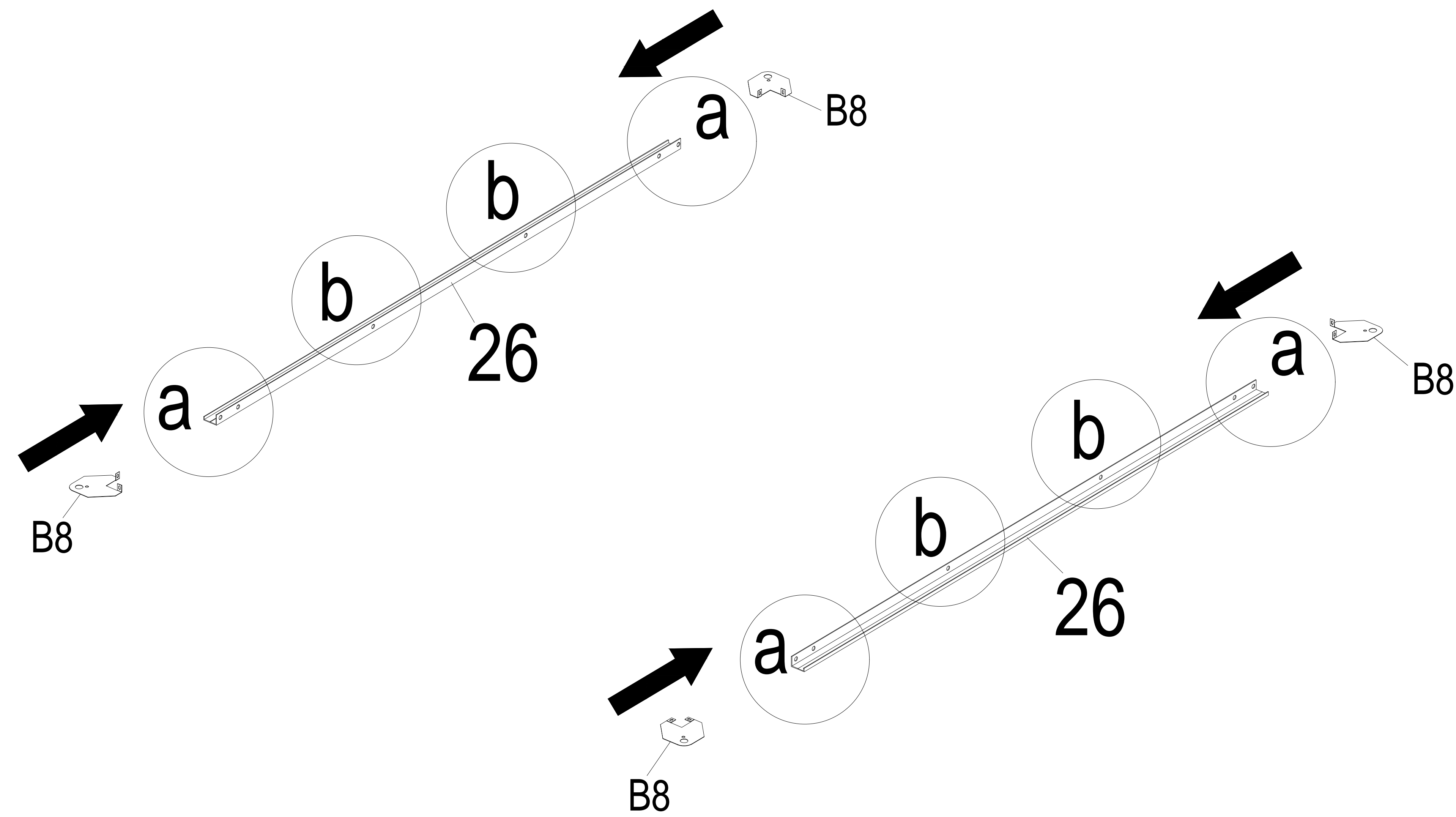
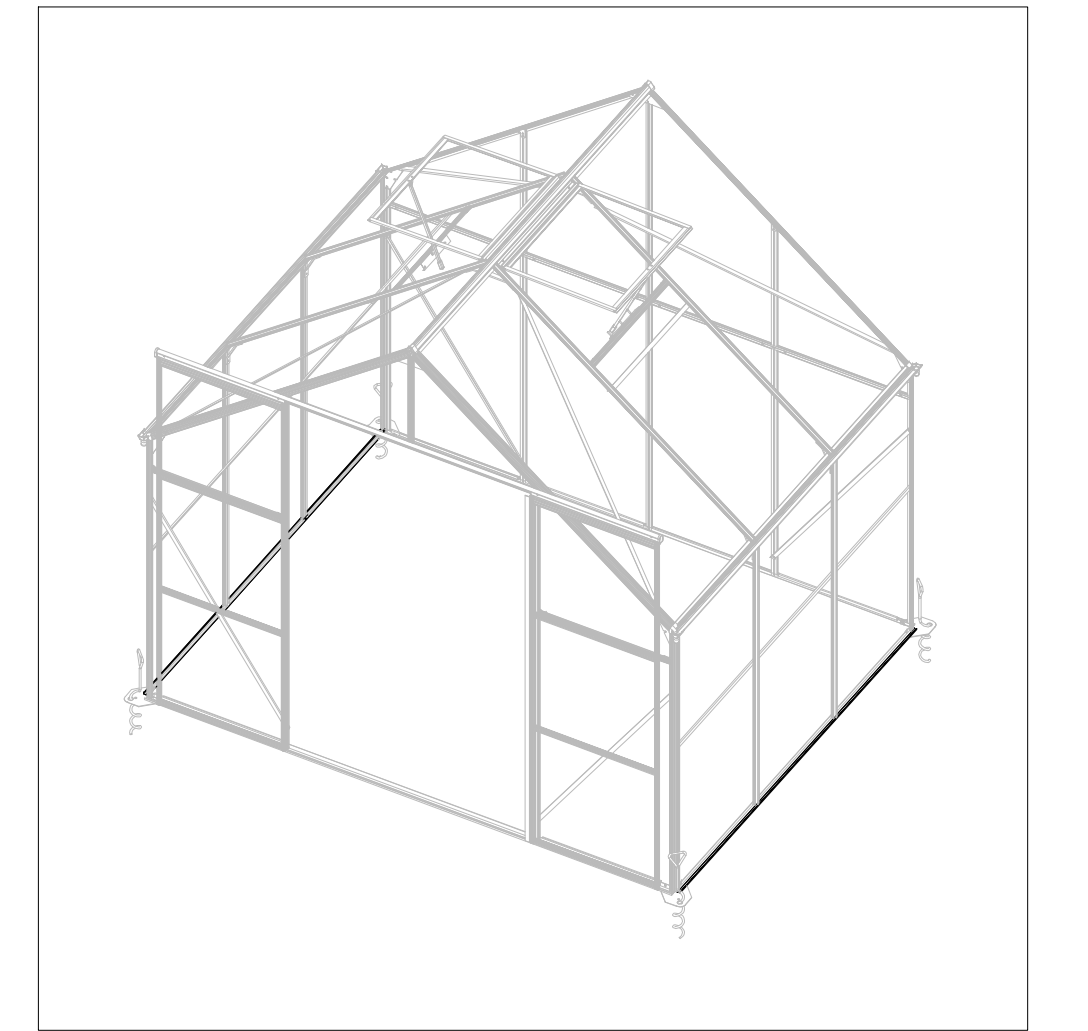
B8x4



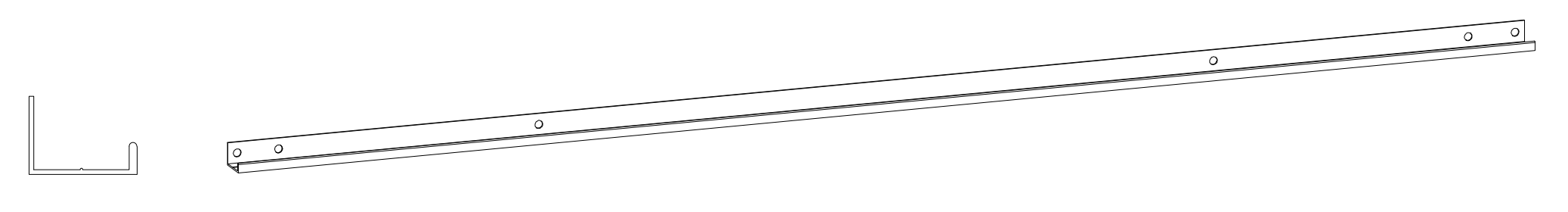
(M5x10)
F8x4



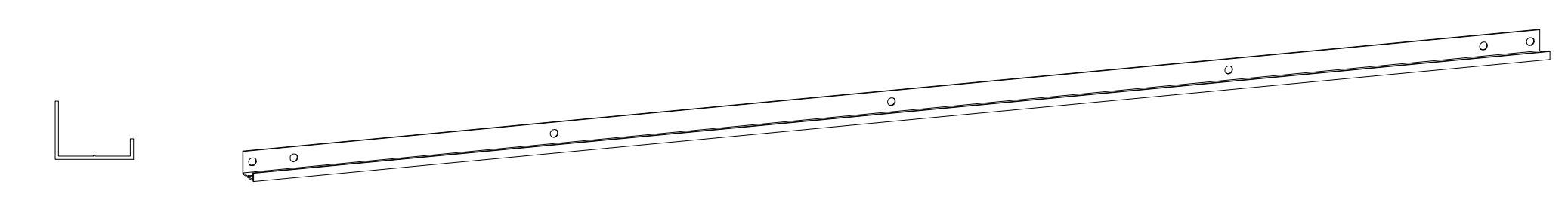
(M5x10)
F4x4



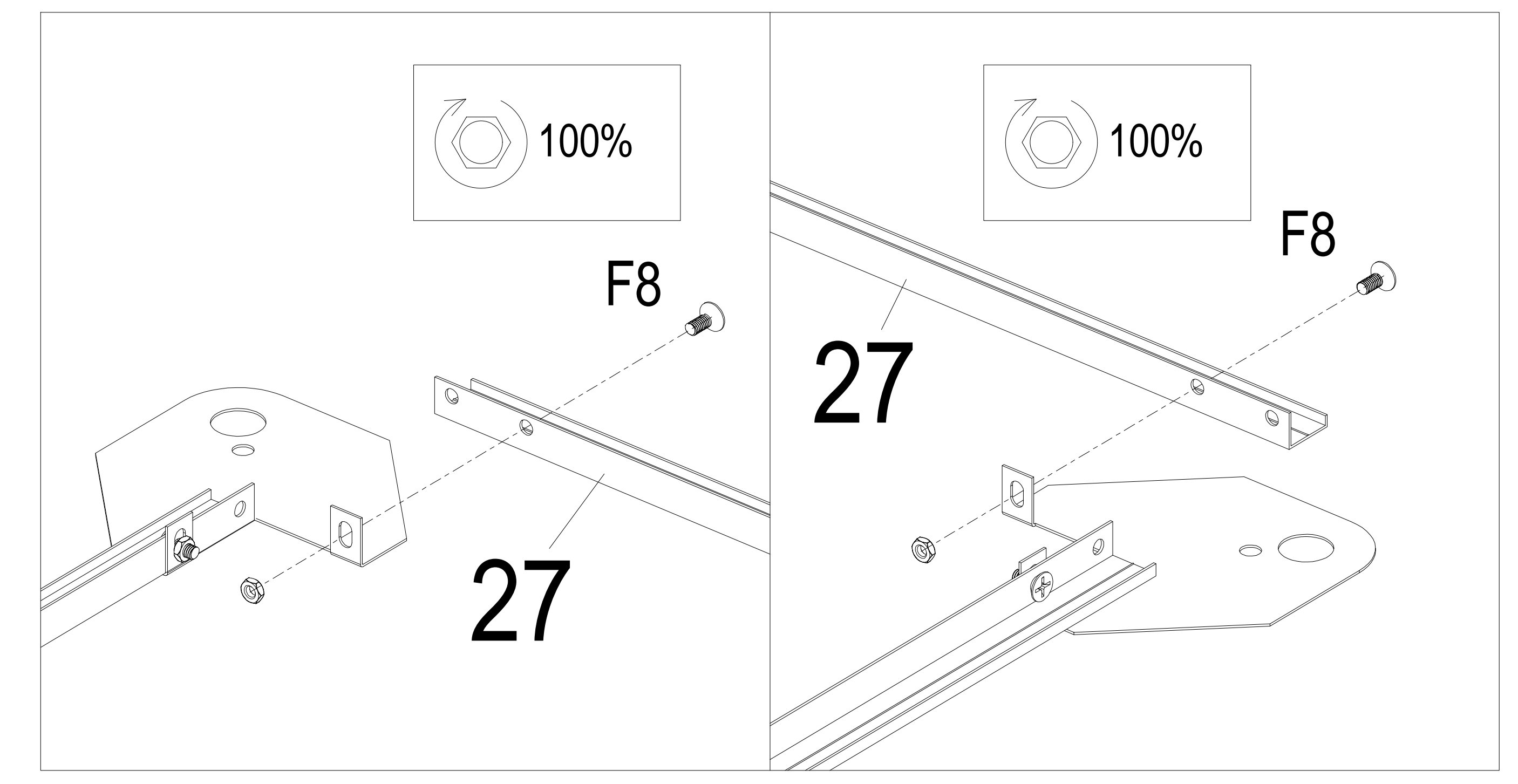
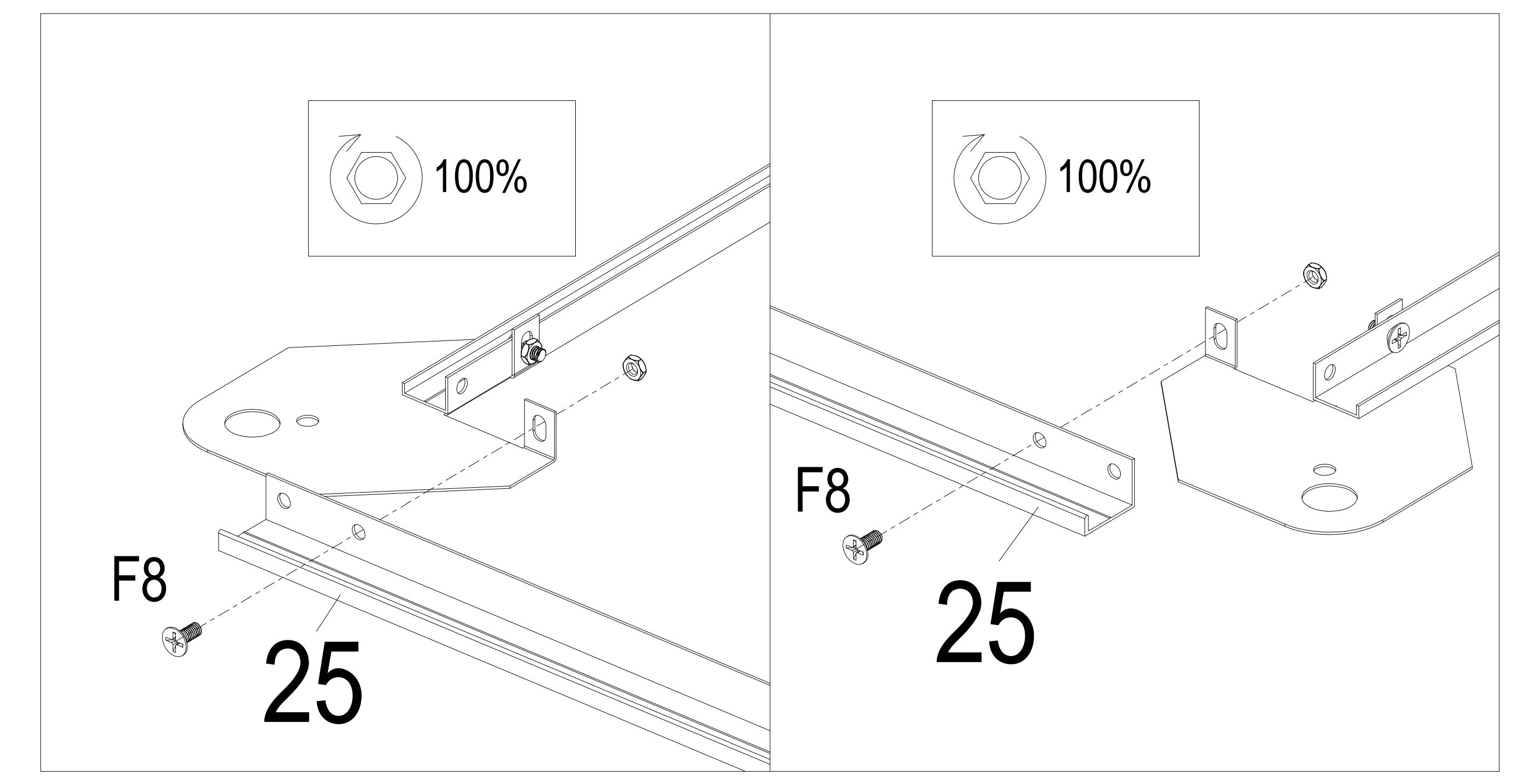
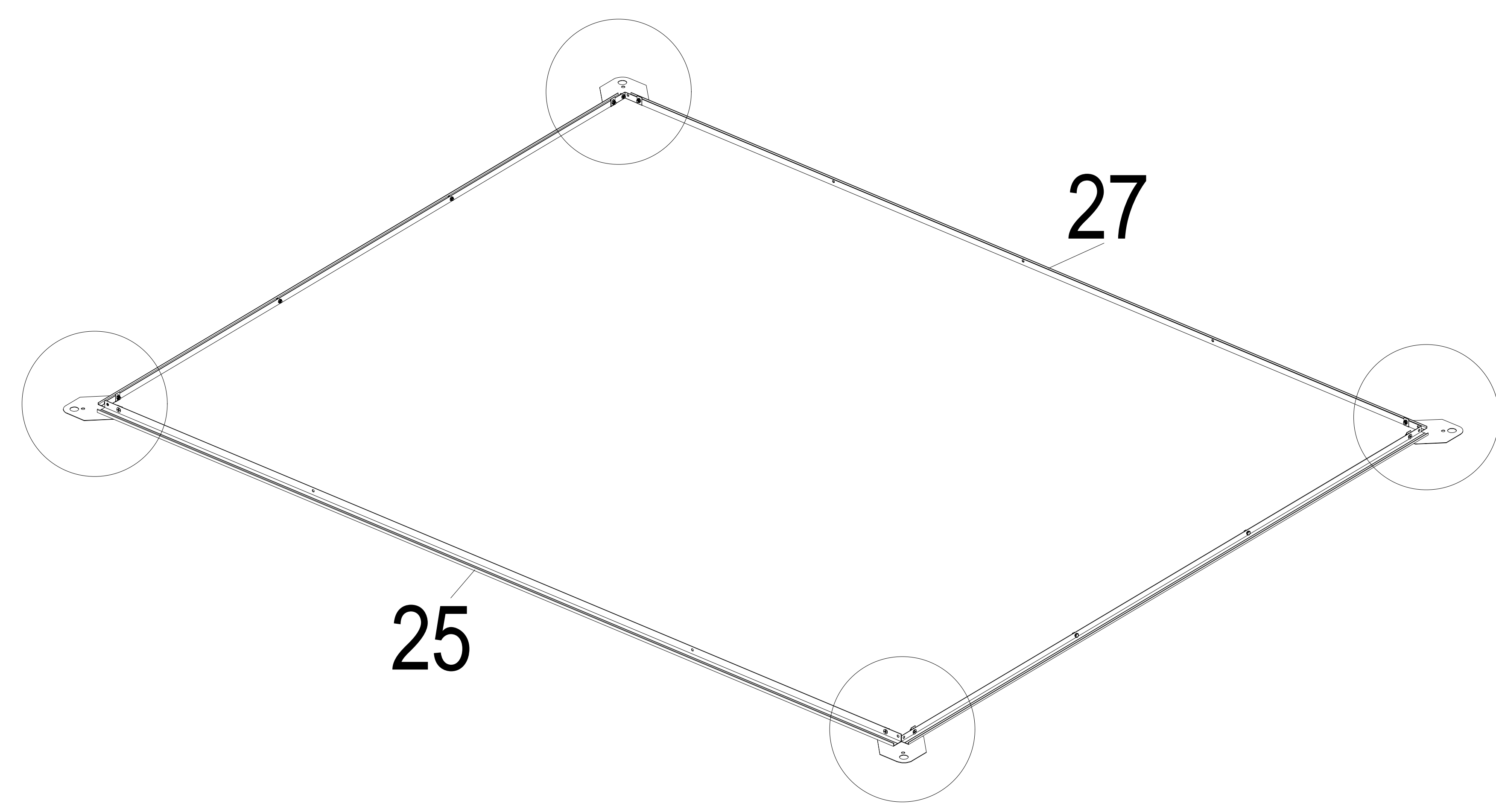
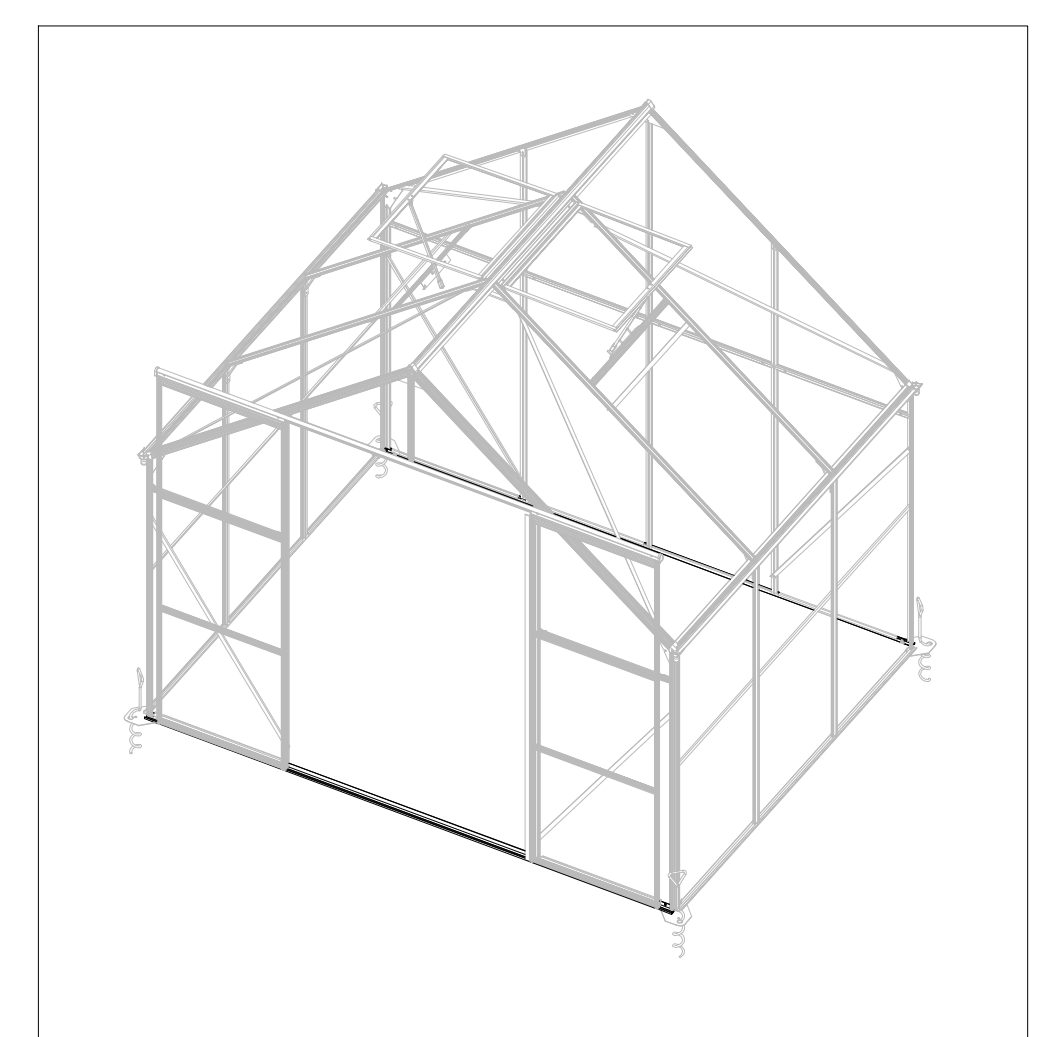
25x1

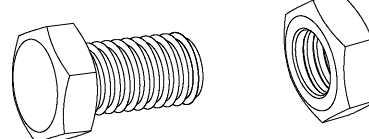


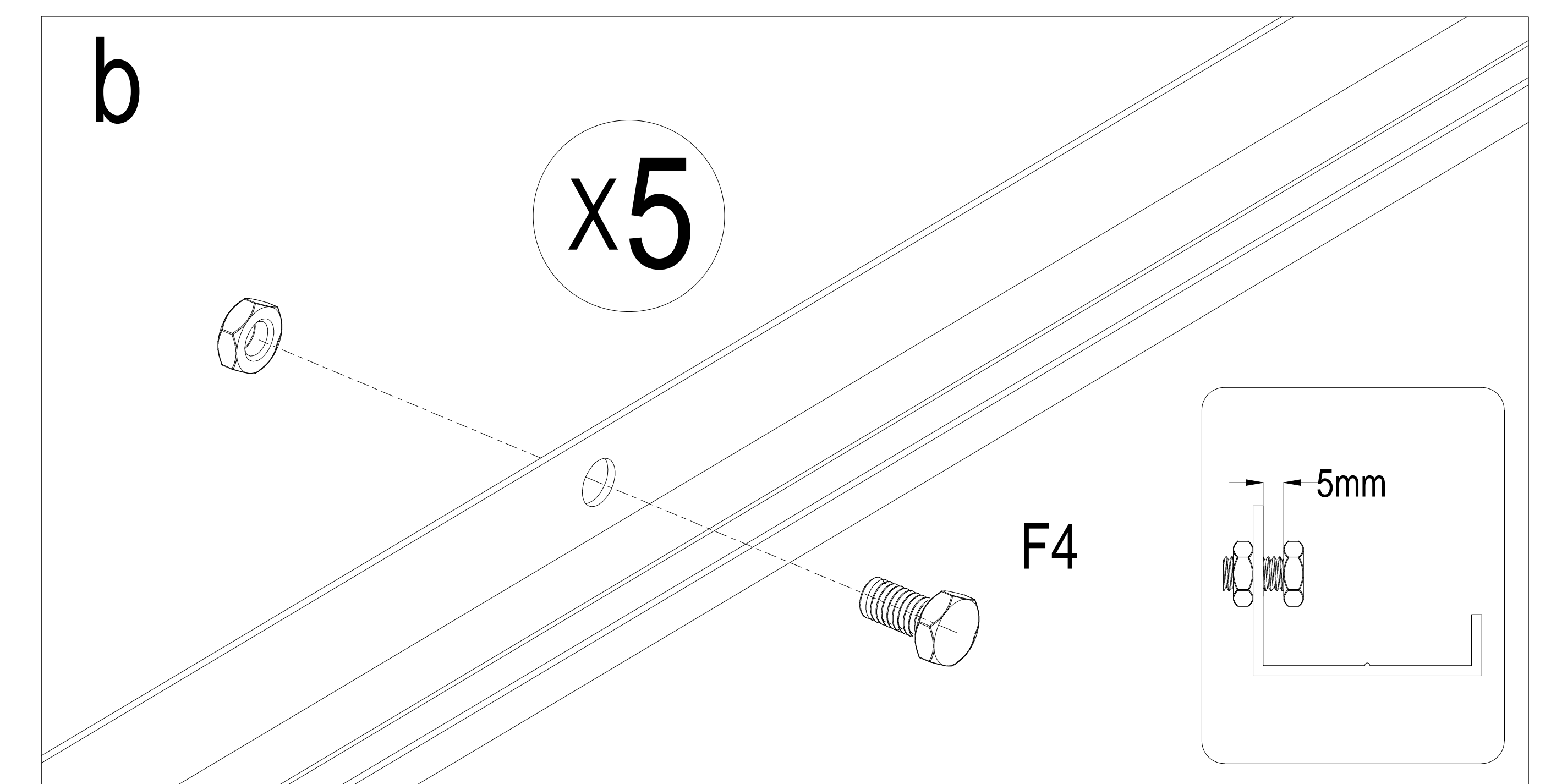
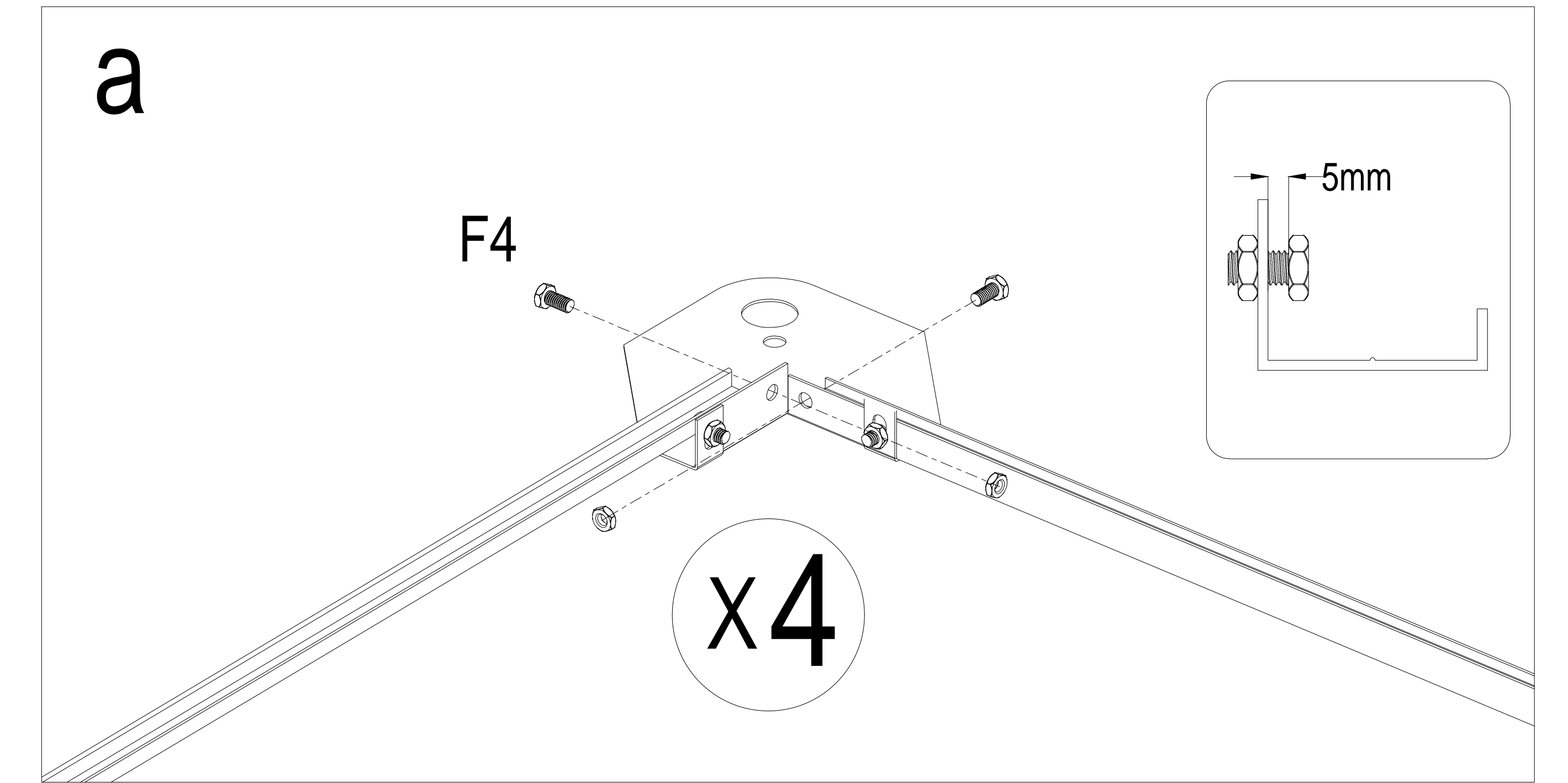
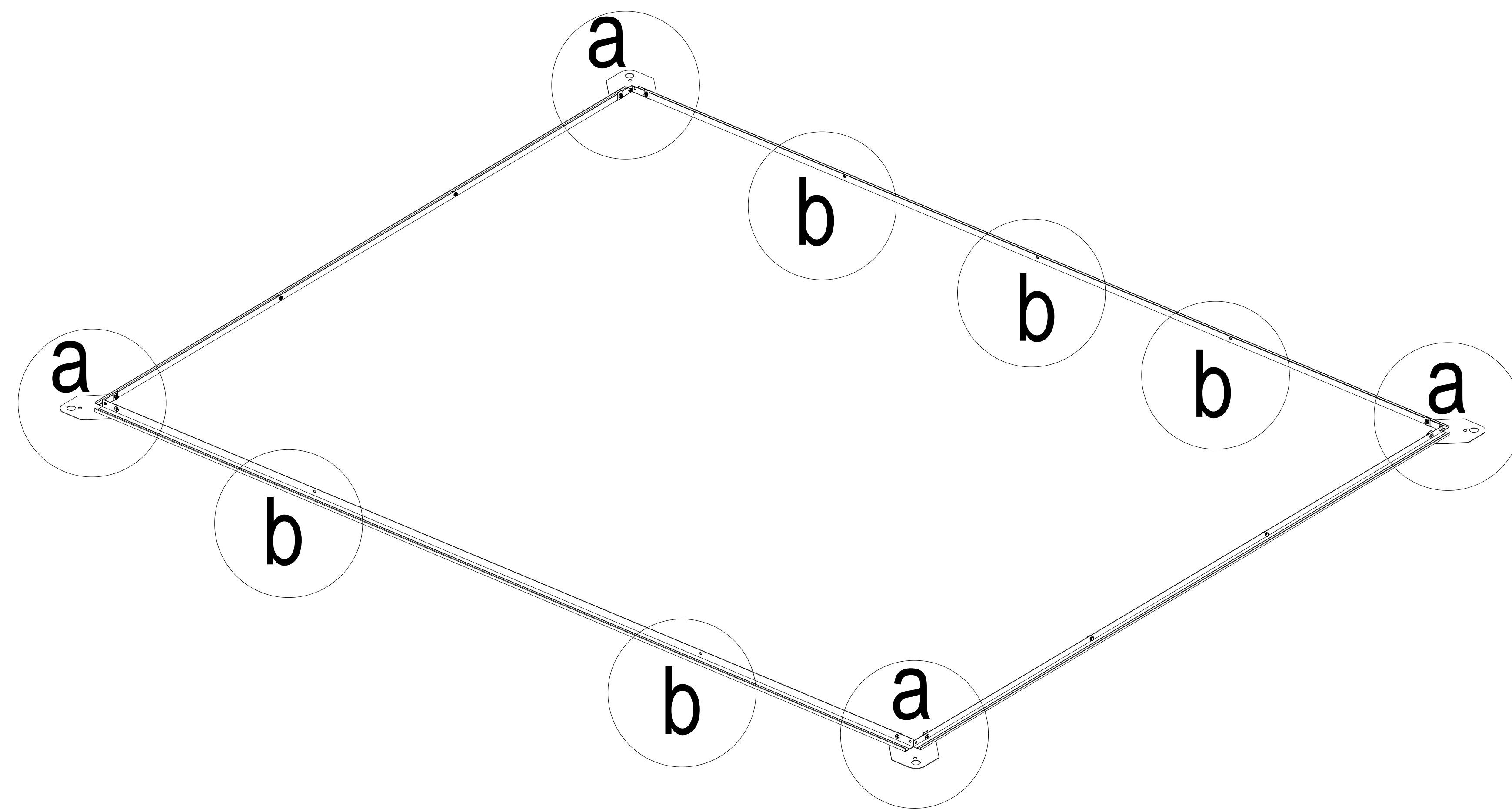
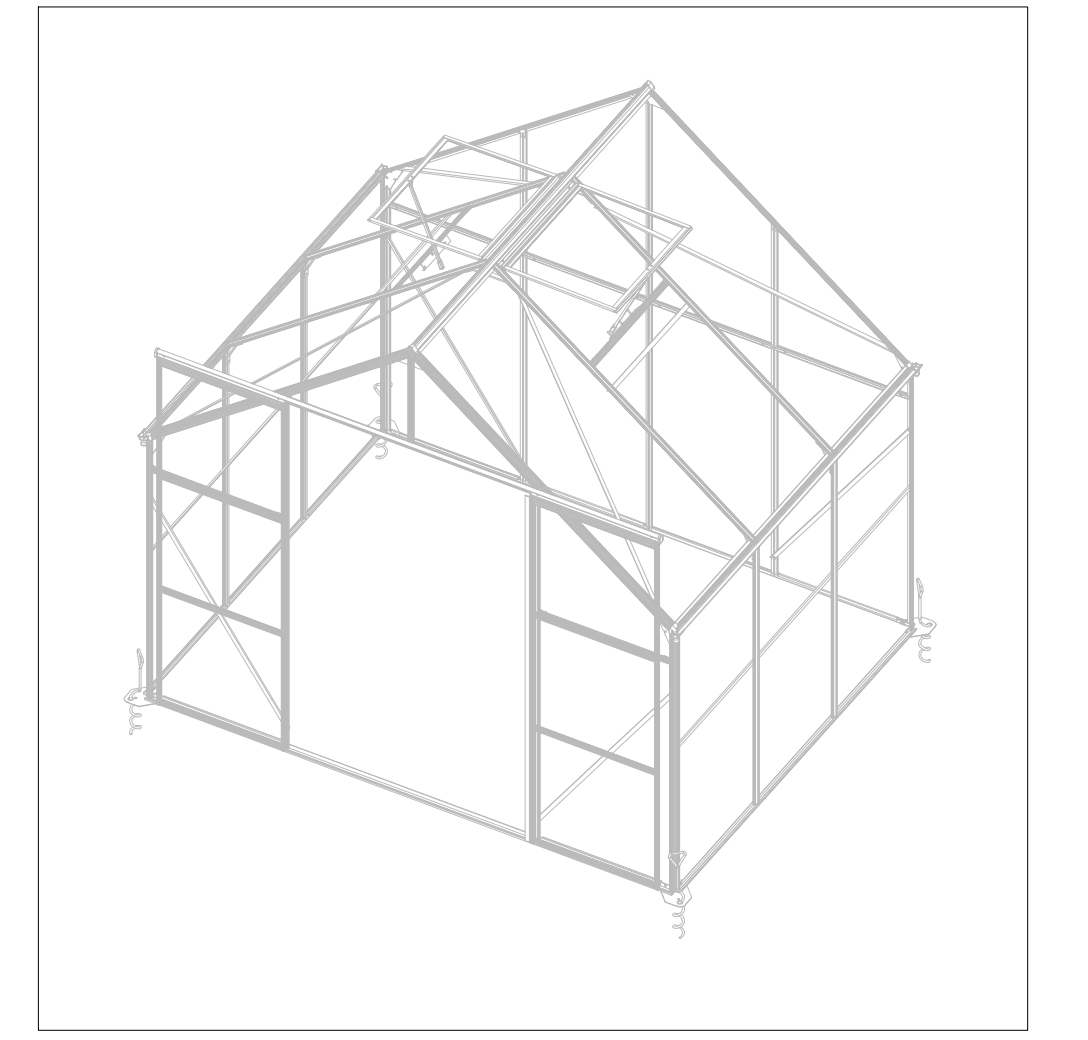
27x1

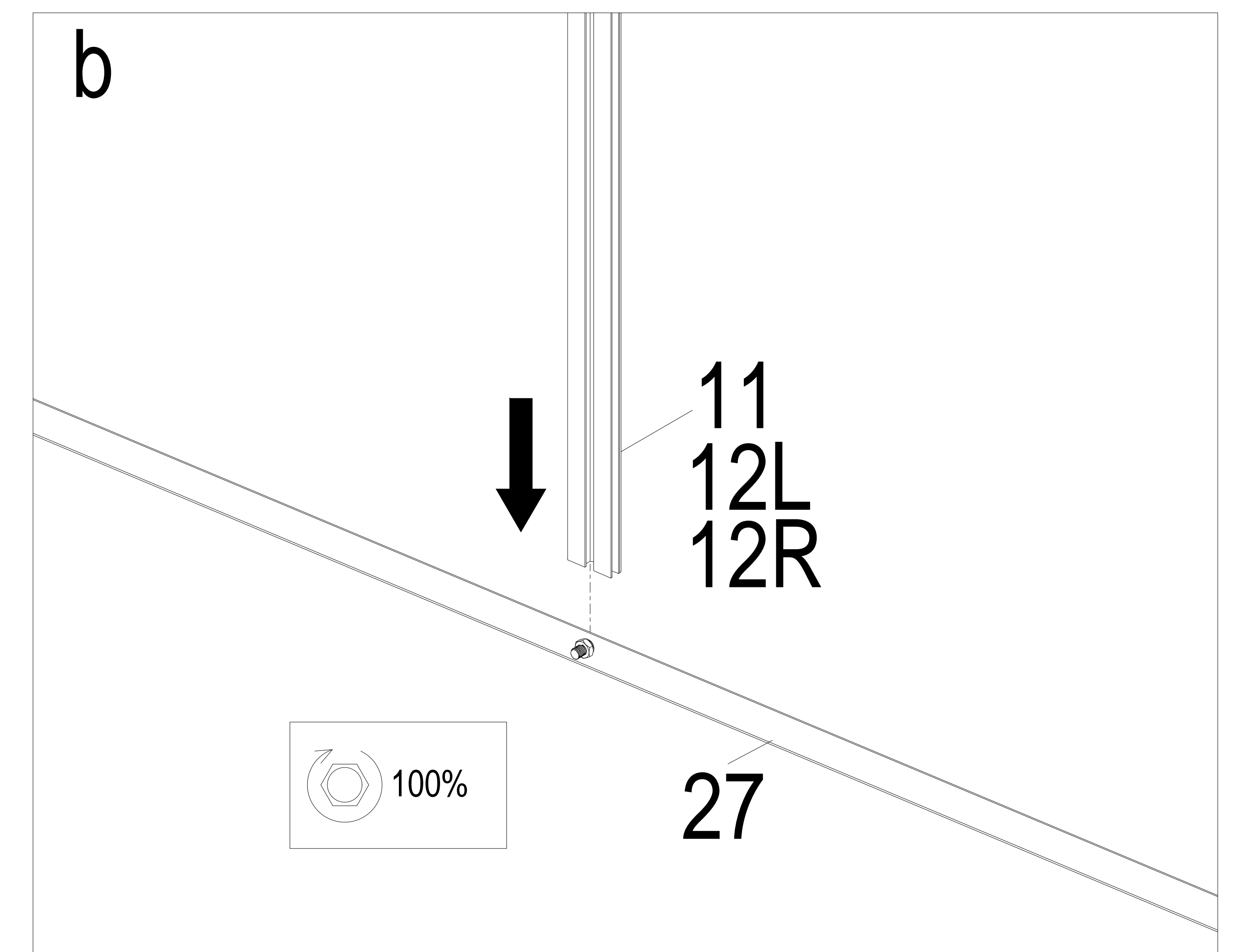
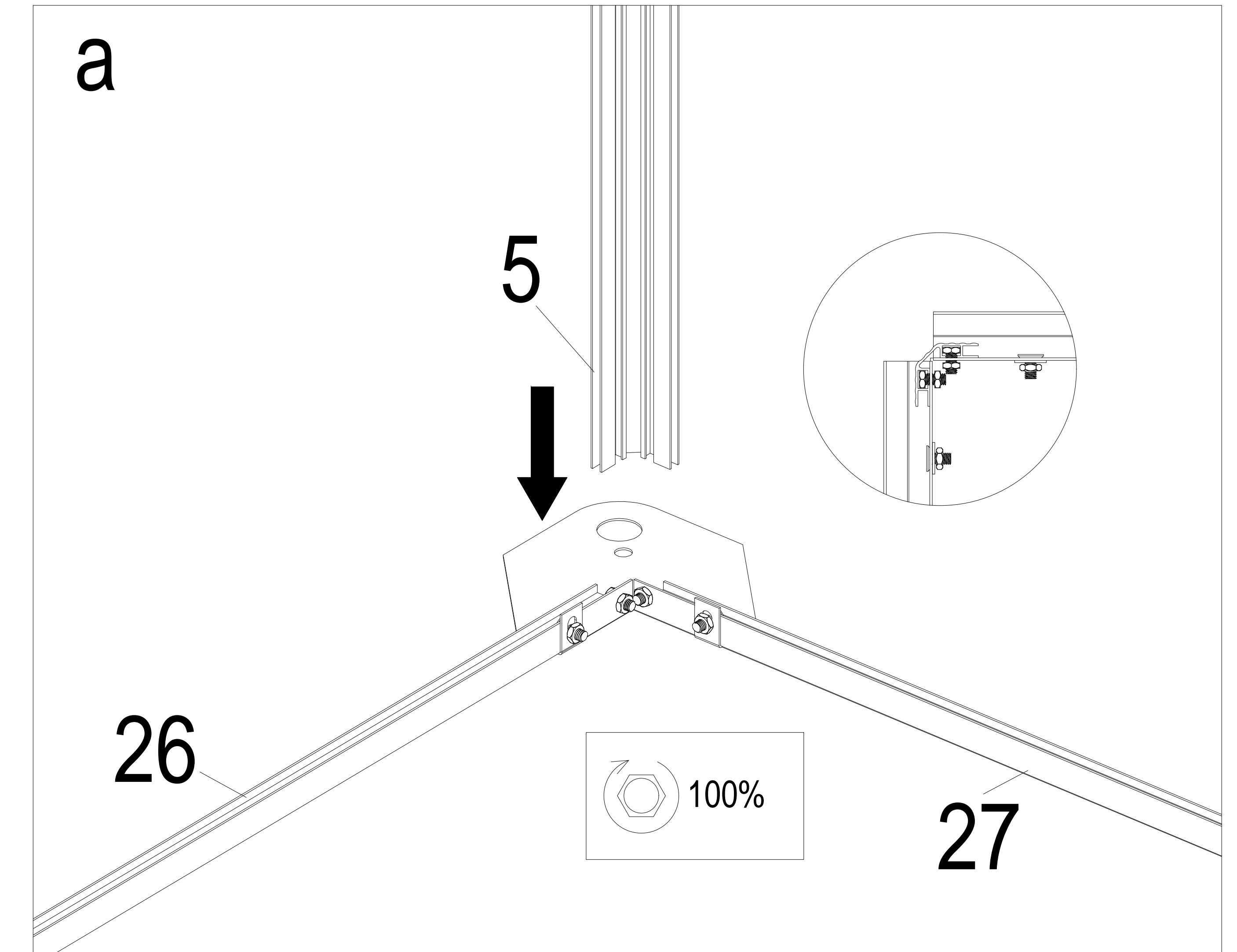
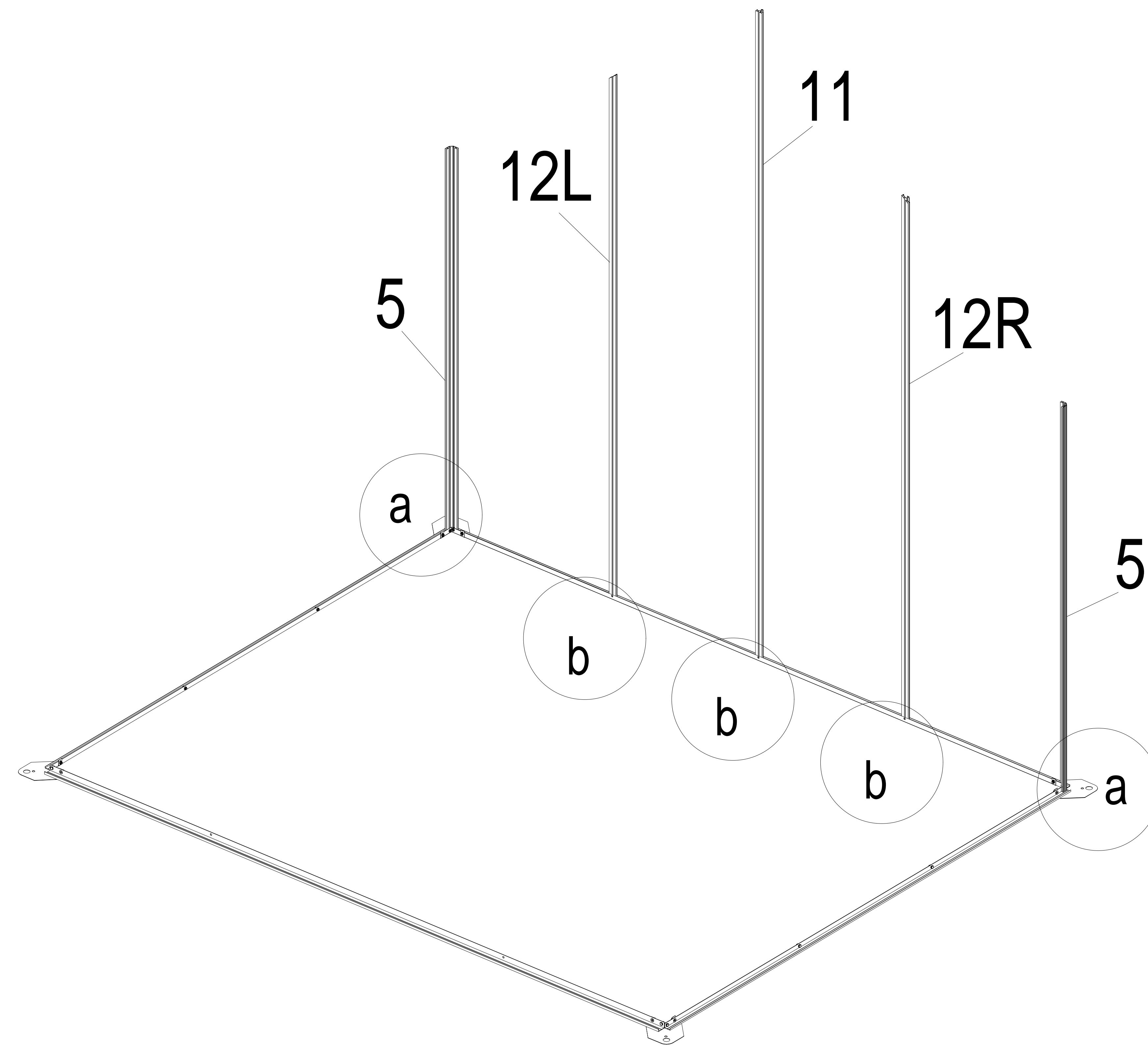
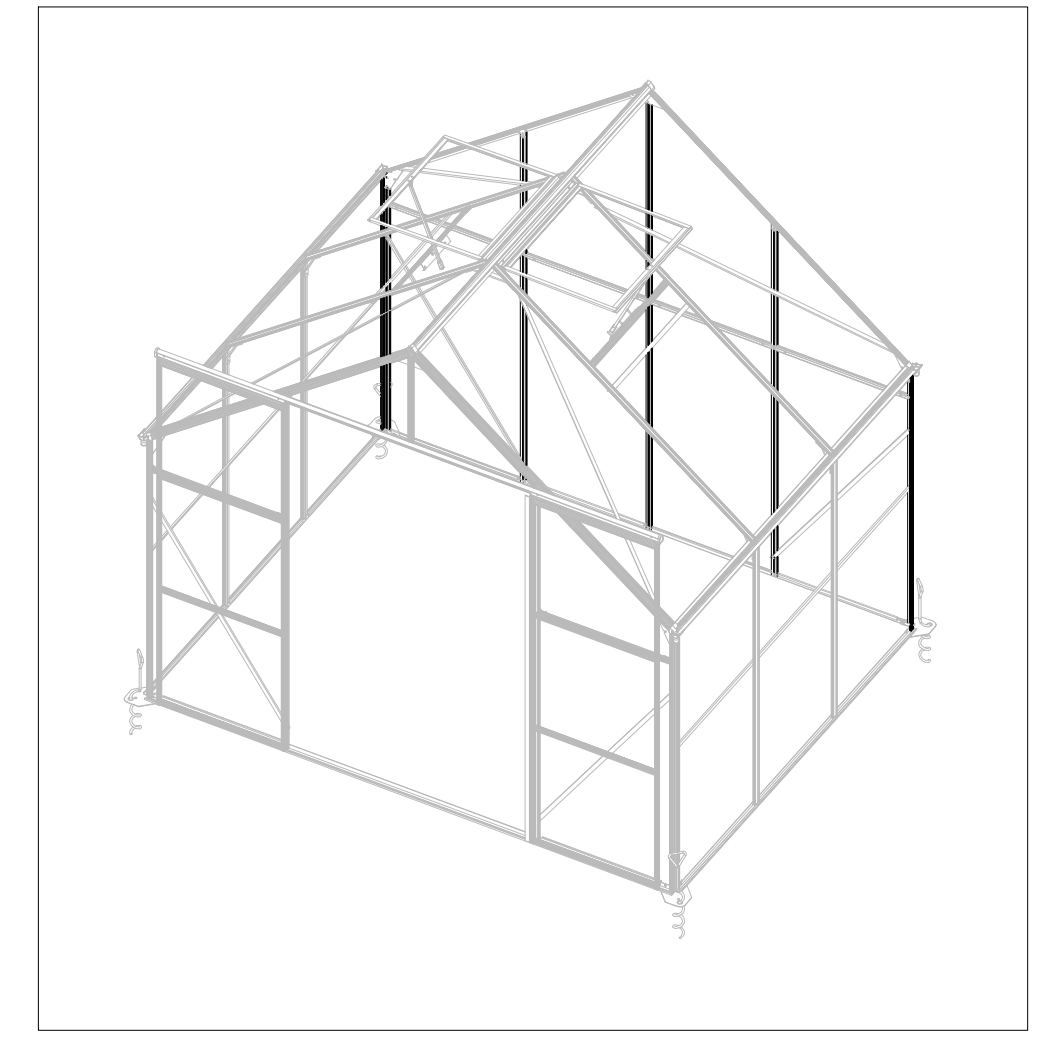
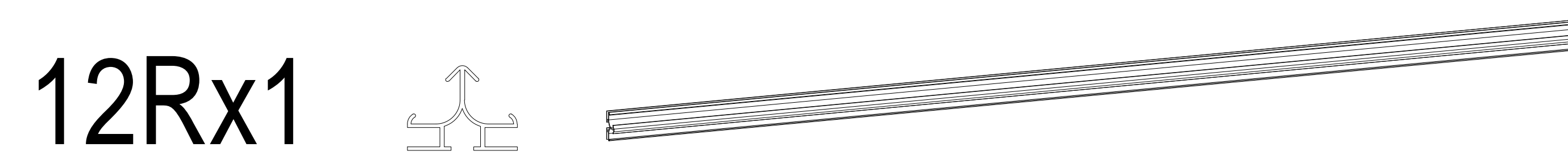
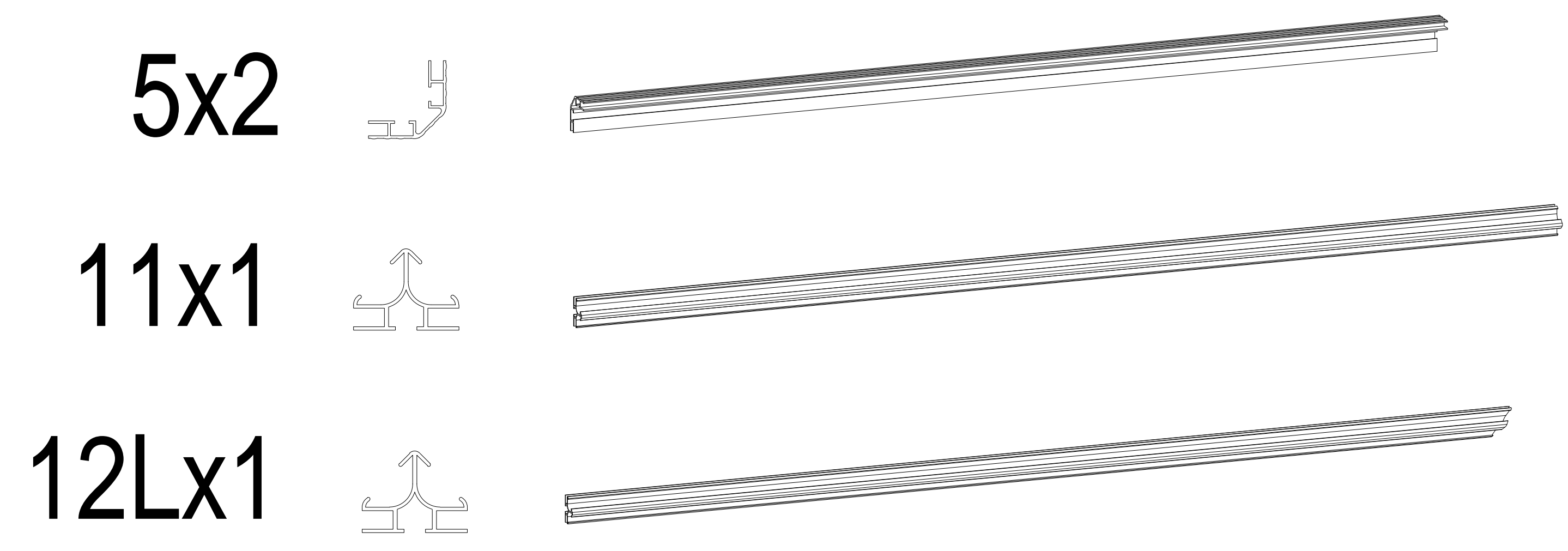


(M5x10)
F8x4

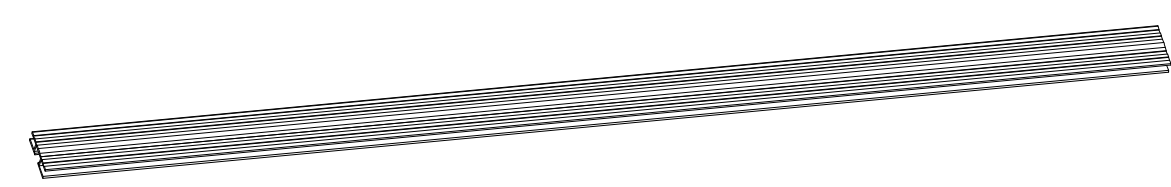
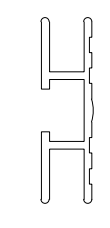



(M5x10)
F4x13

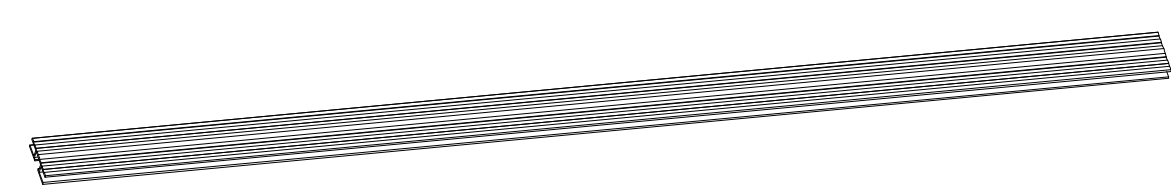
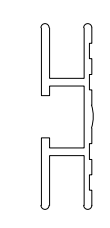




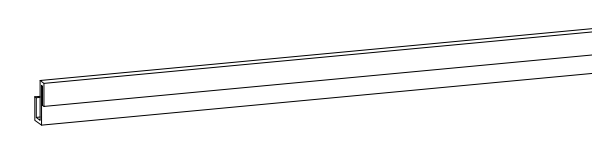
14x2



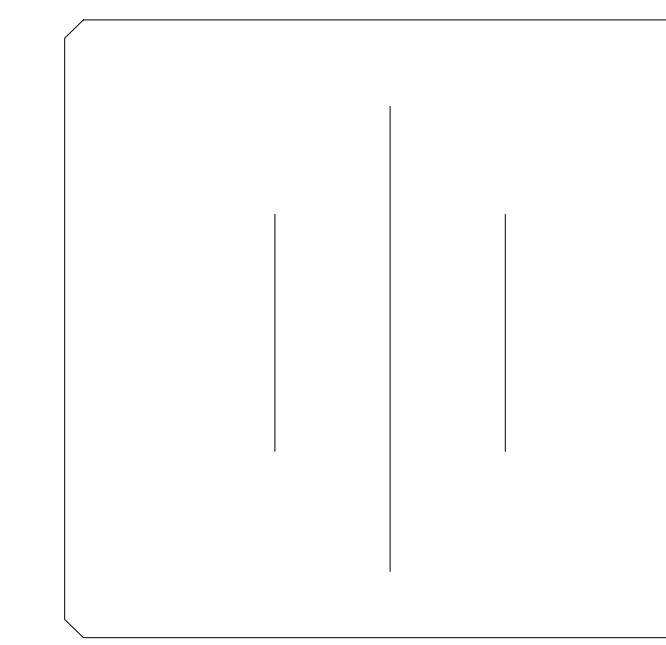
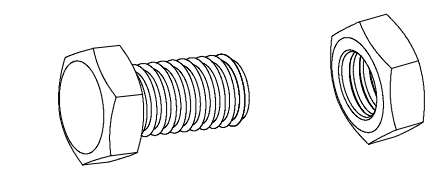
15x2



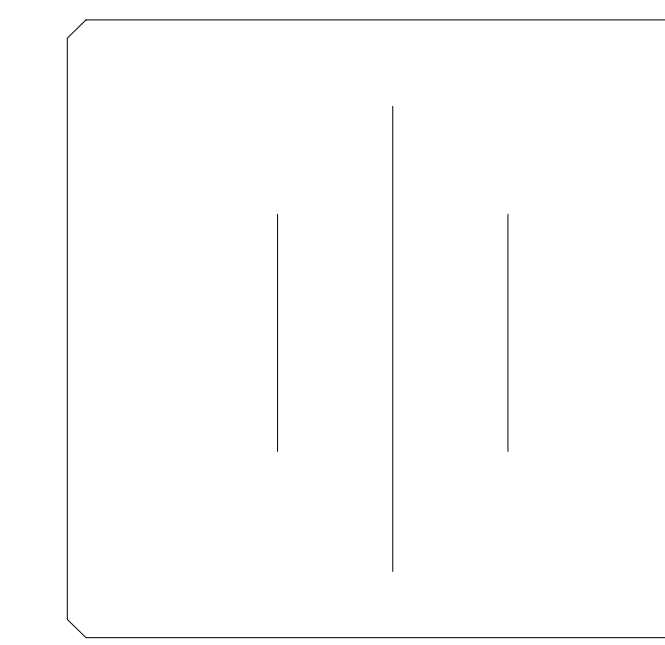
S3x4



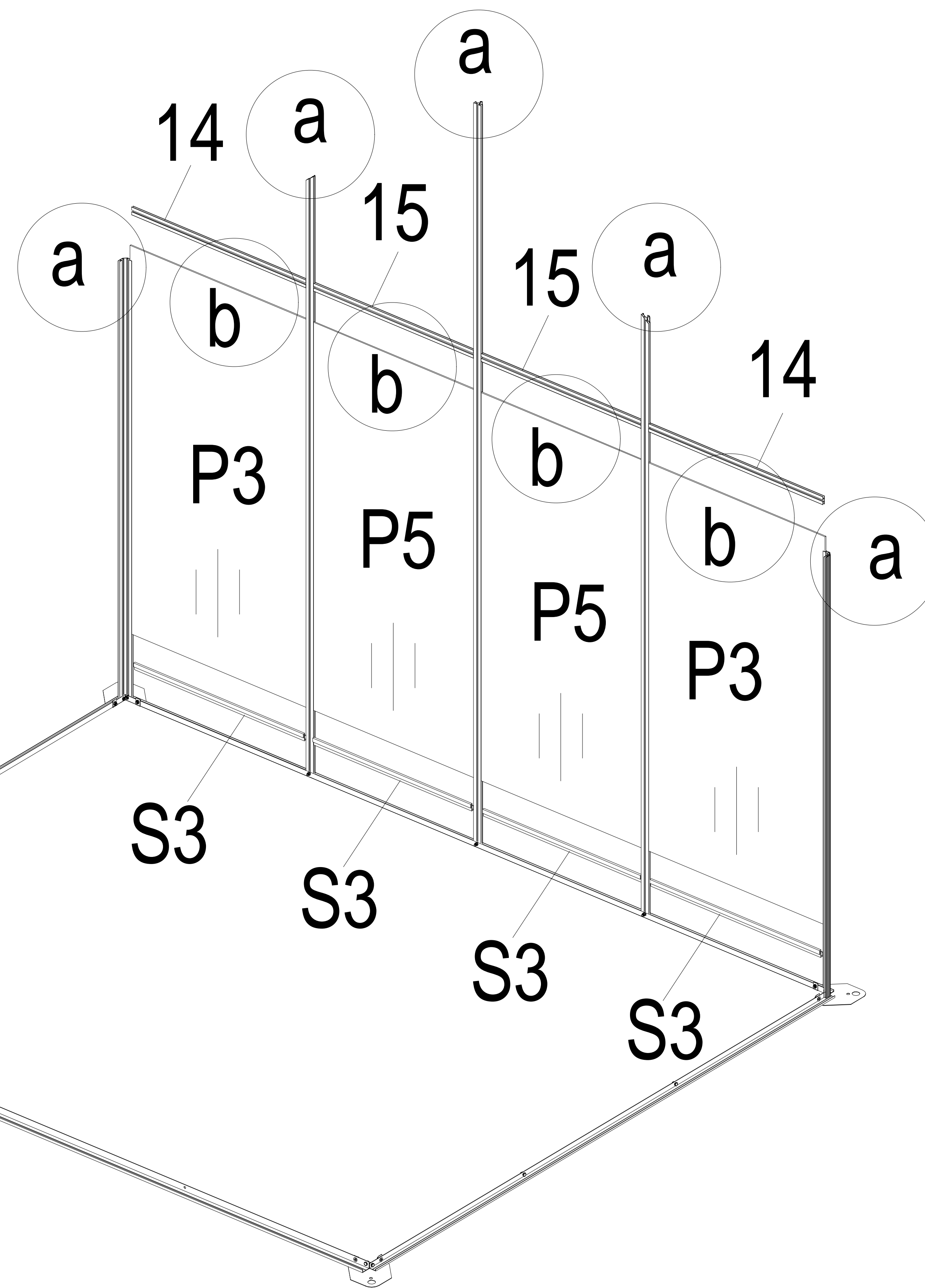
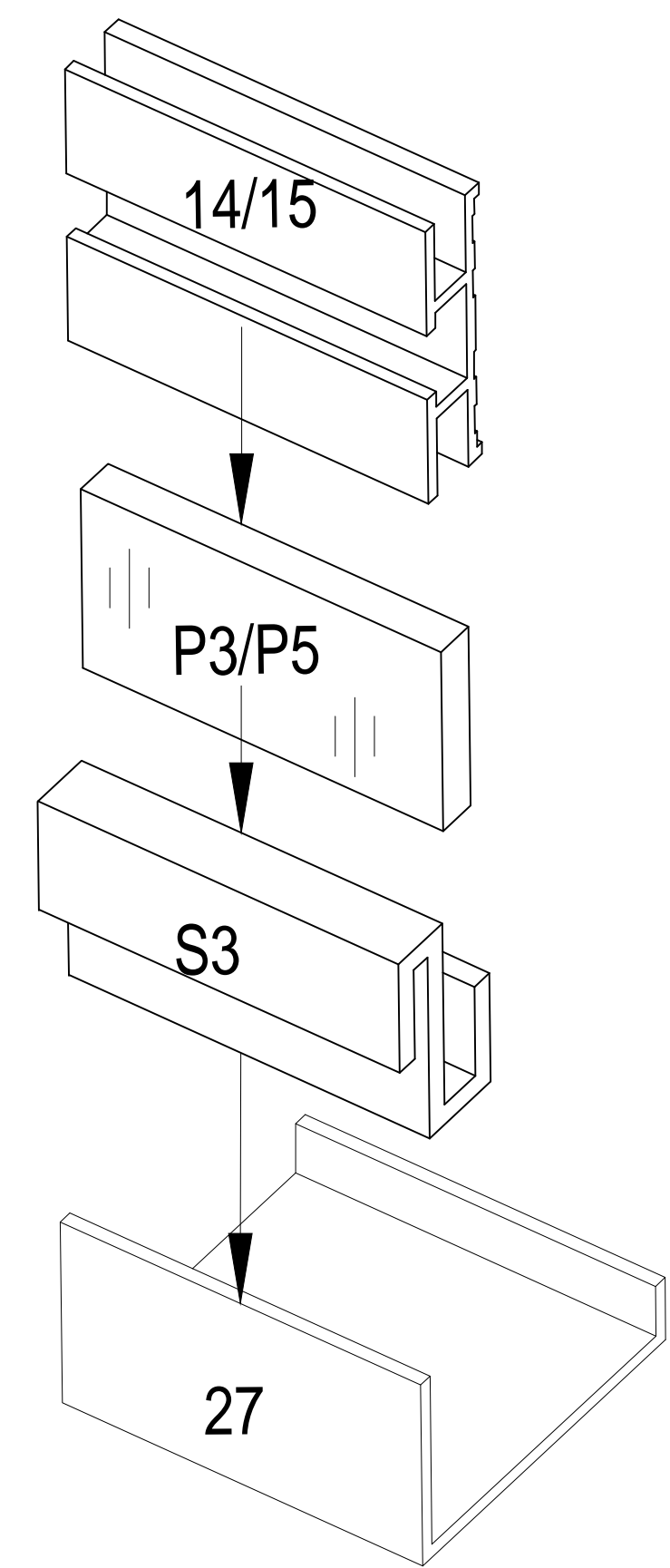
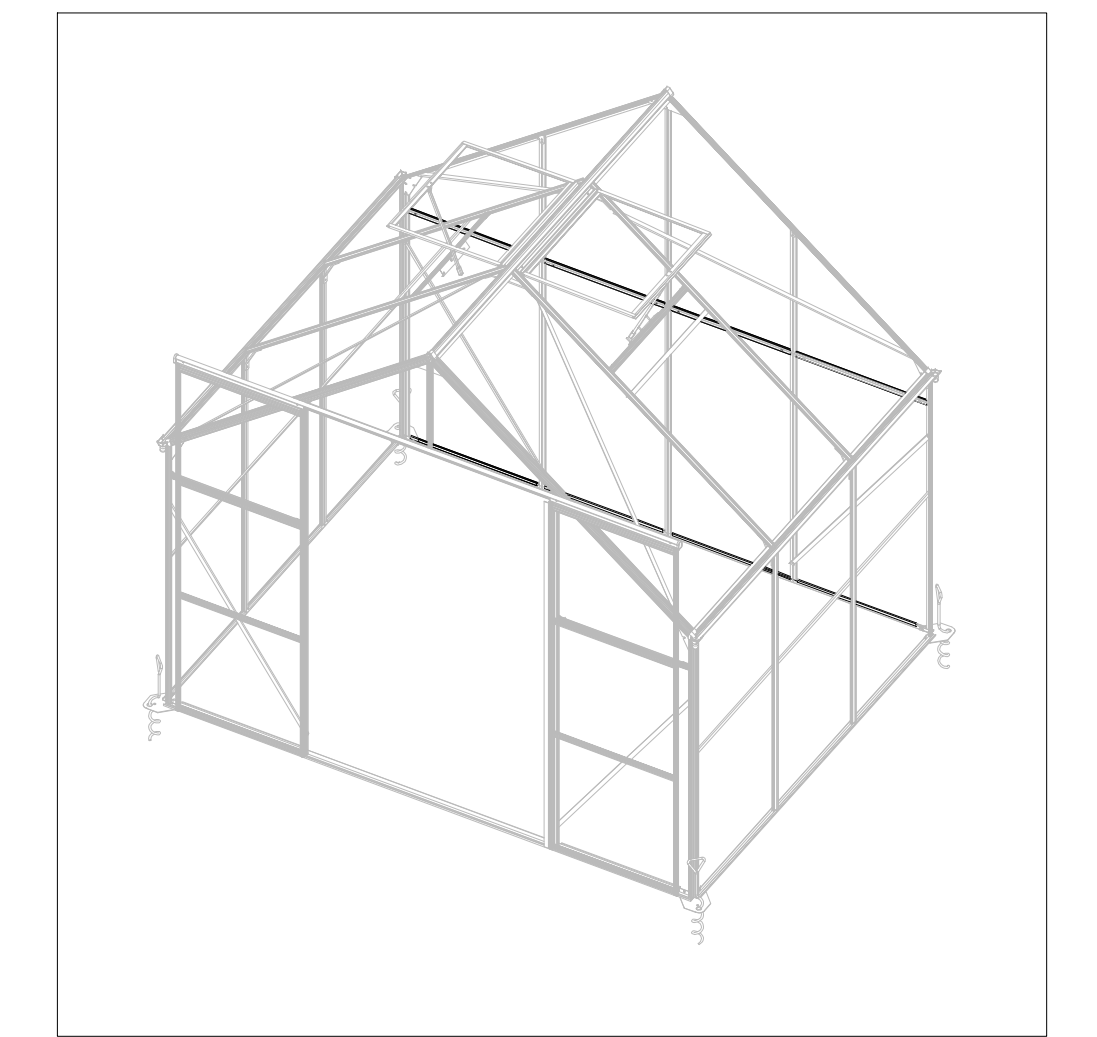
(M5x10)
F4x19



P3x2



P5x2



a

F4

11

12L

12R

5

5

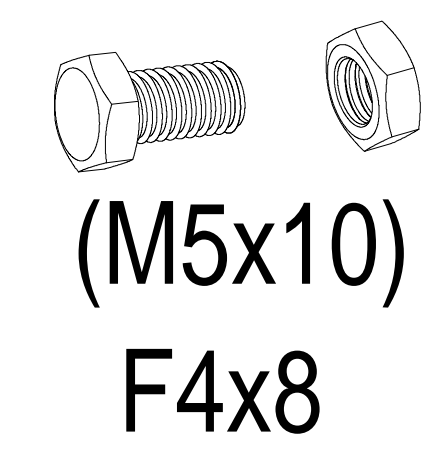
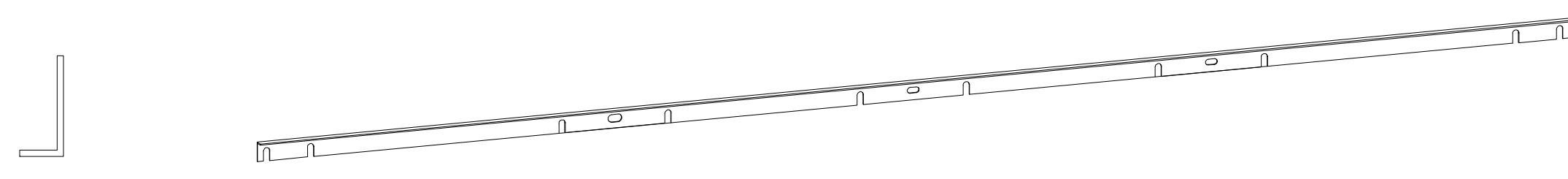
b

F4

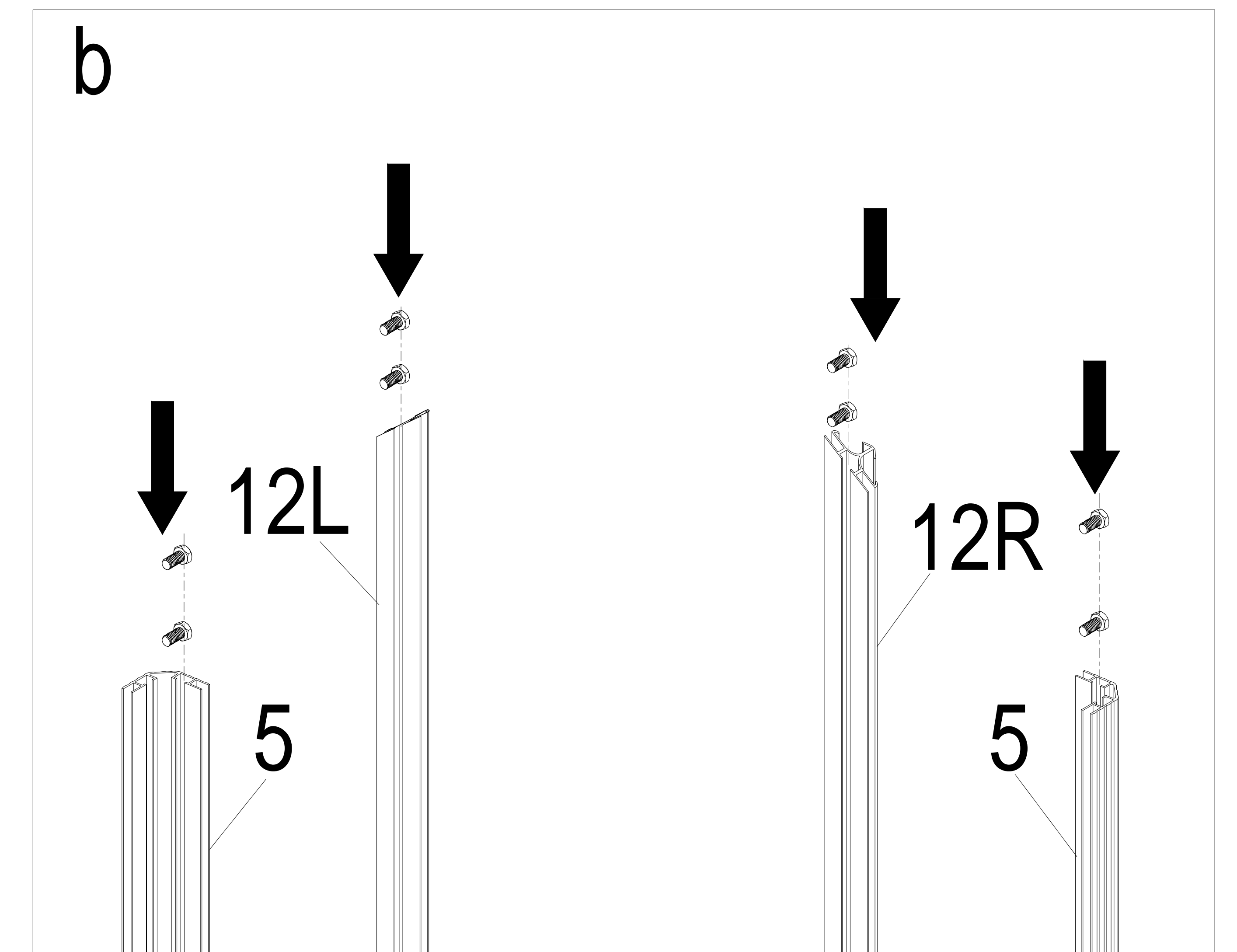
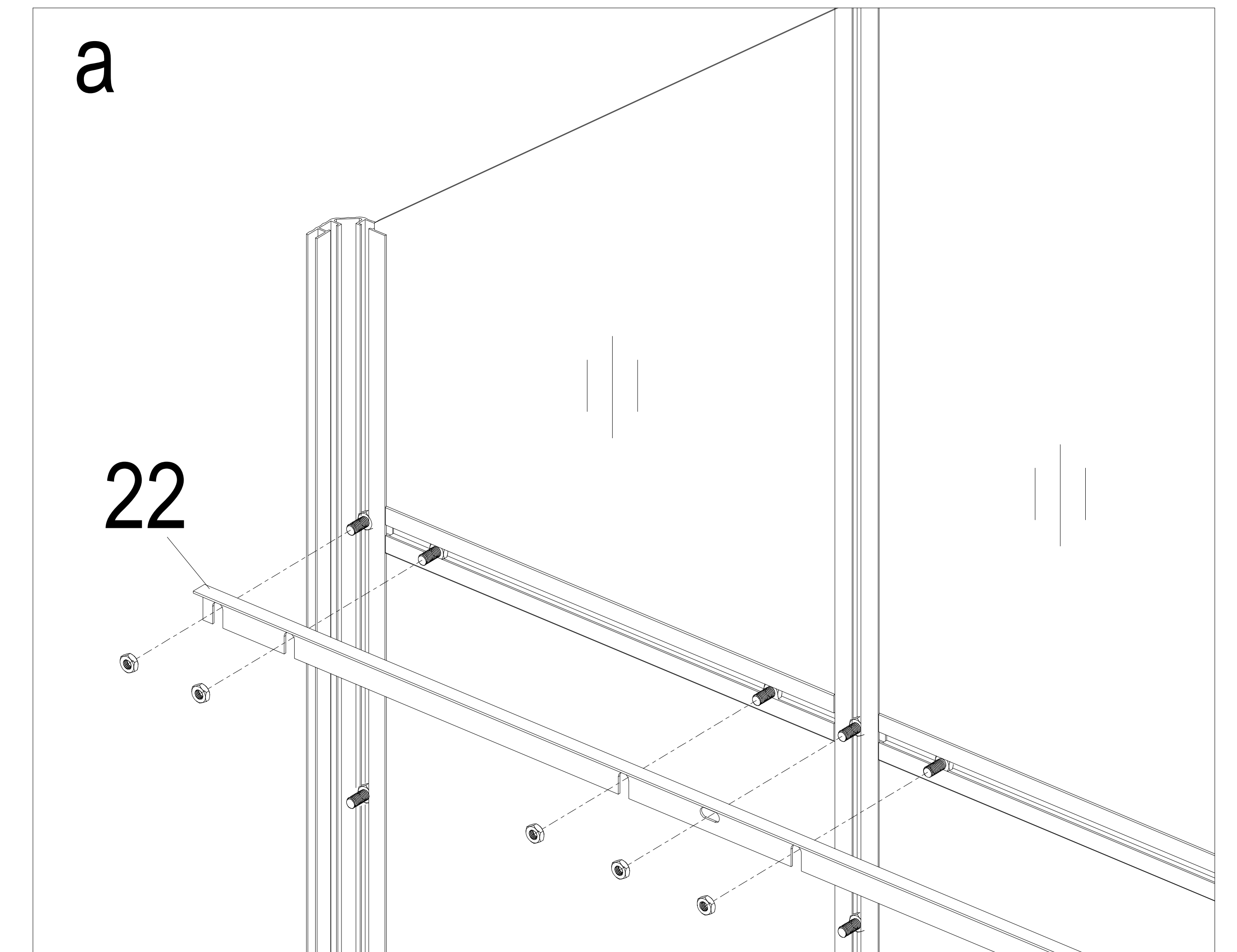
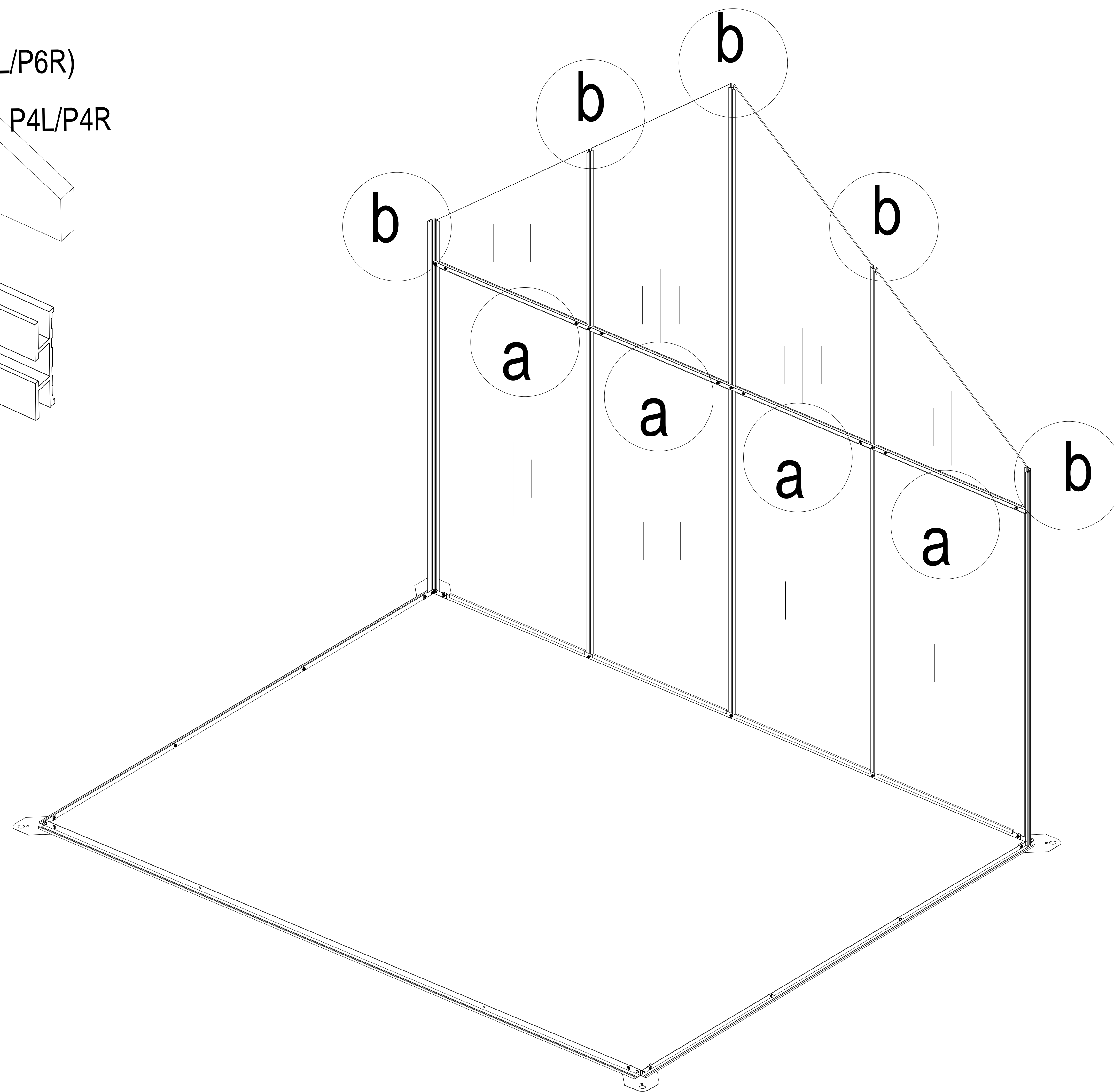
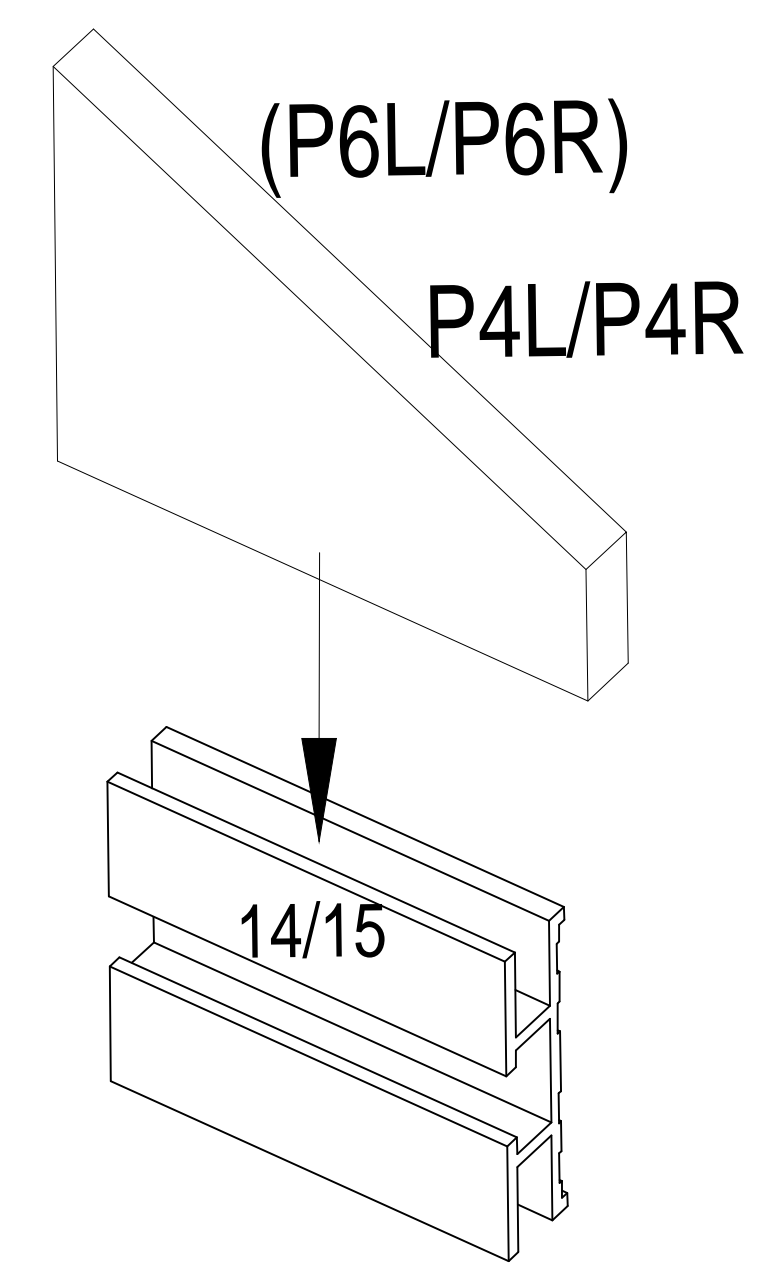
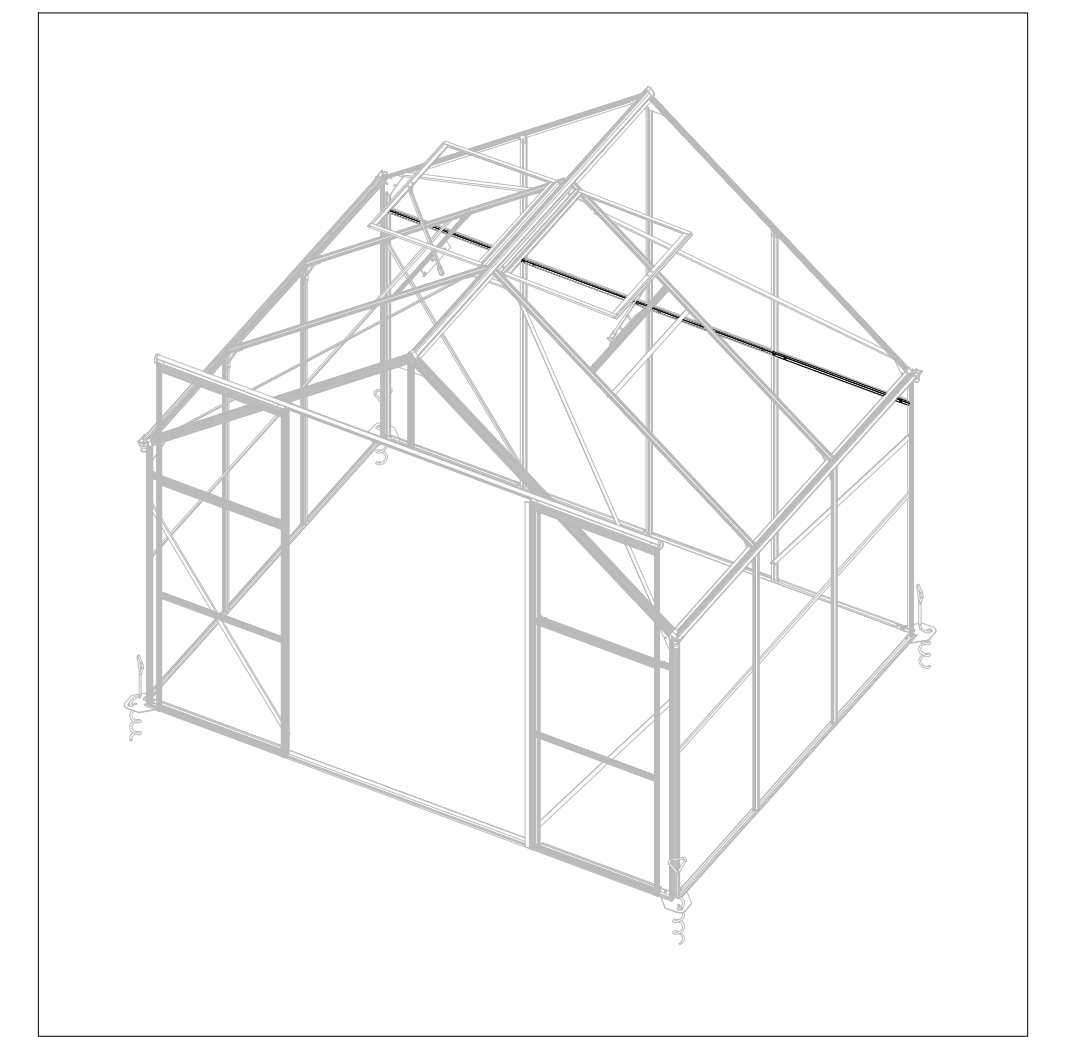
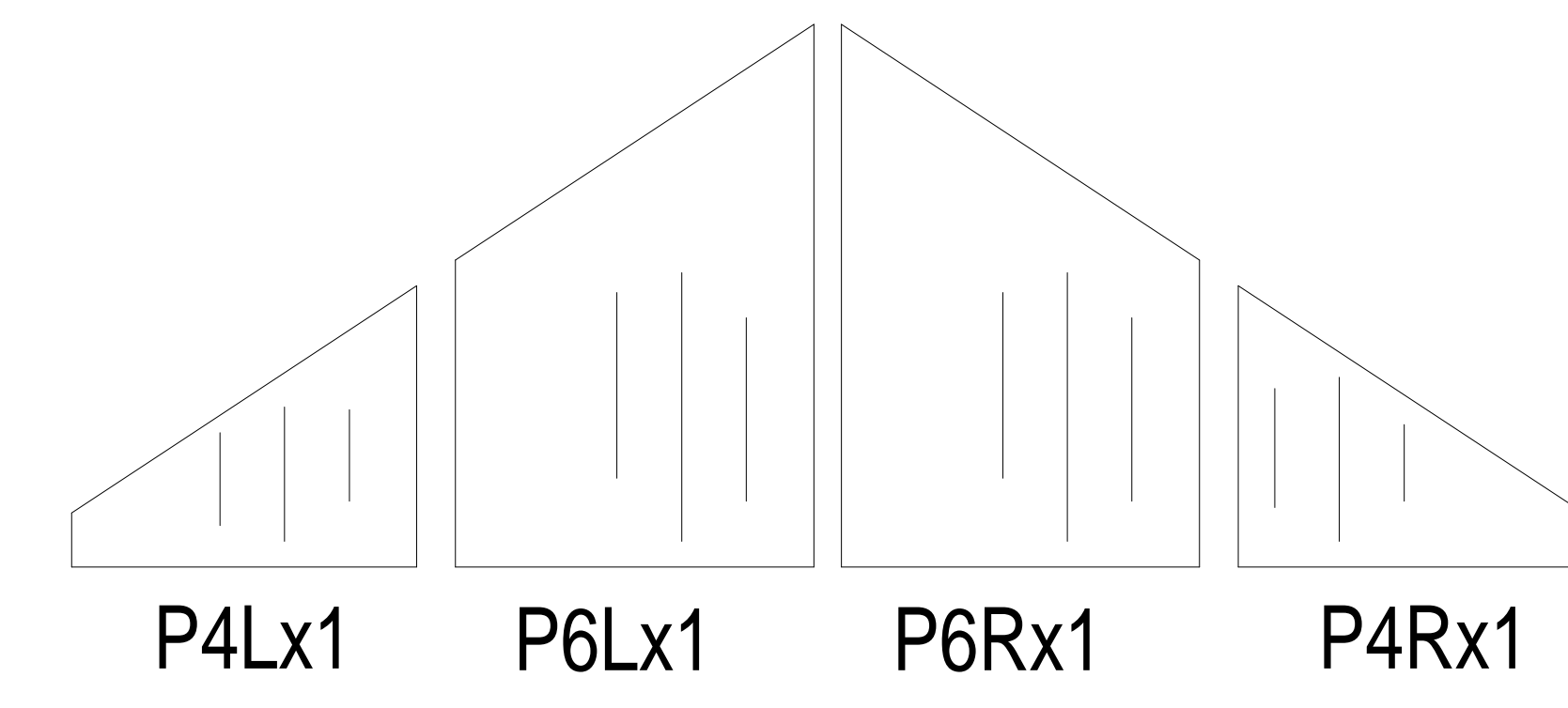
14/15

F4

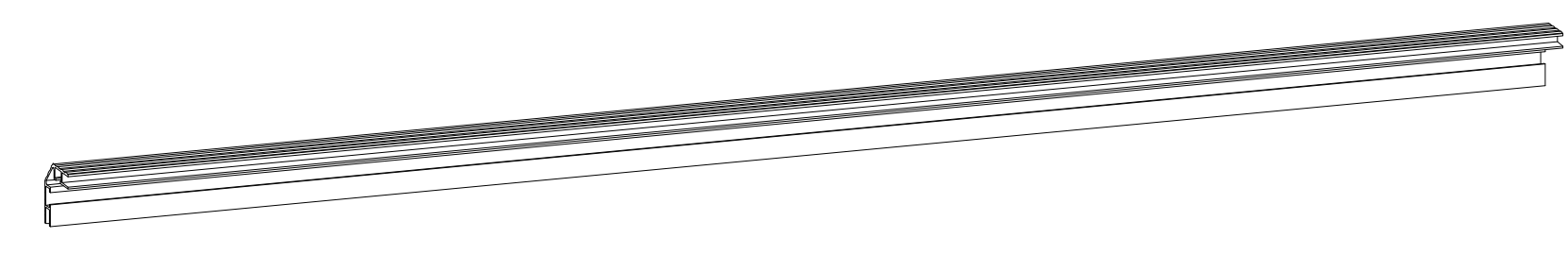
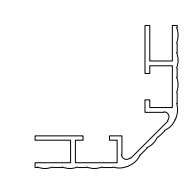
22x1



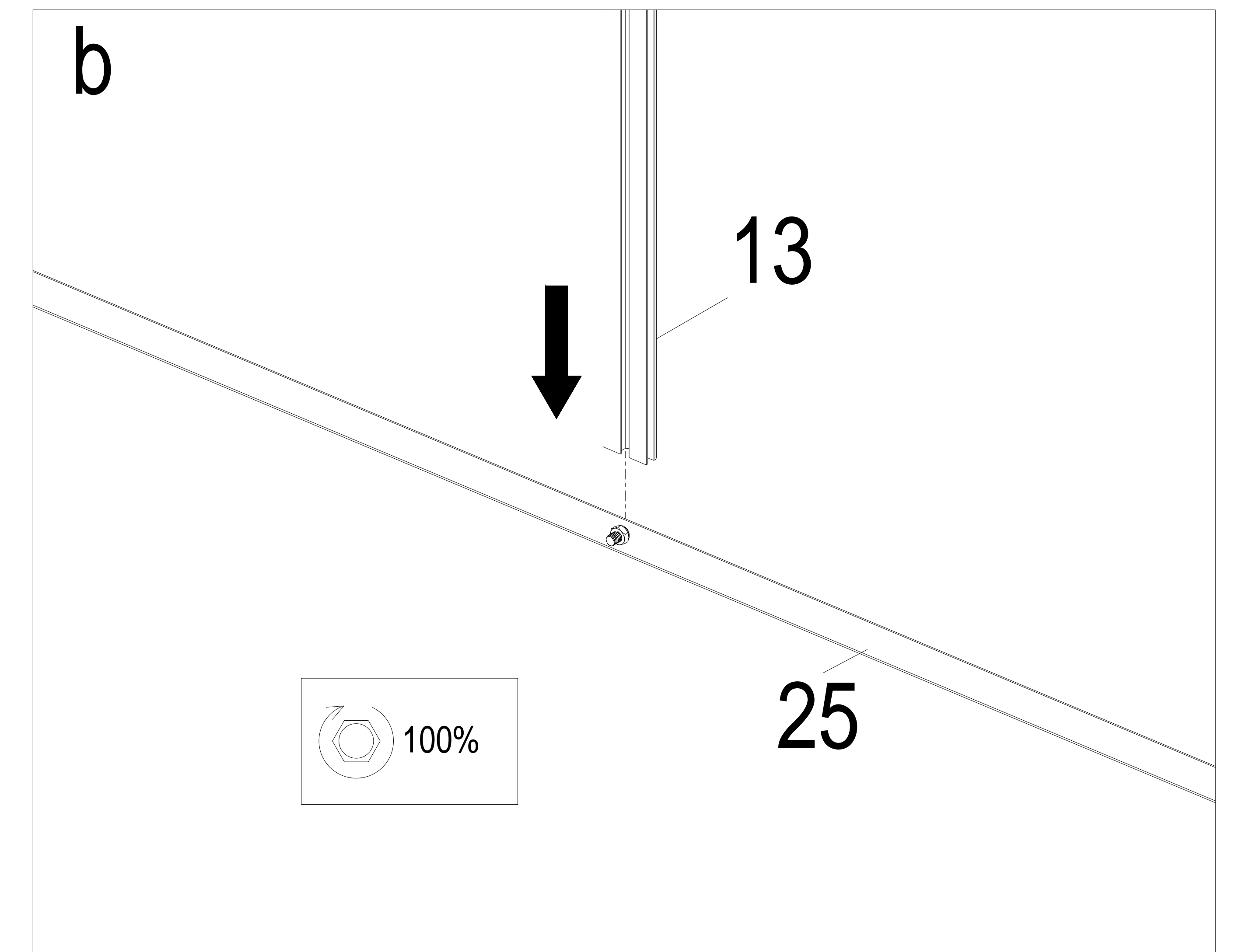
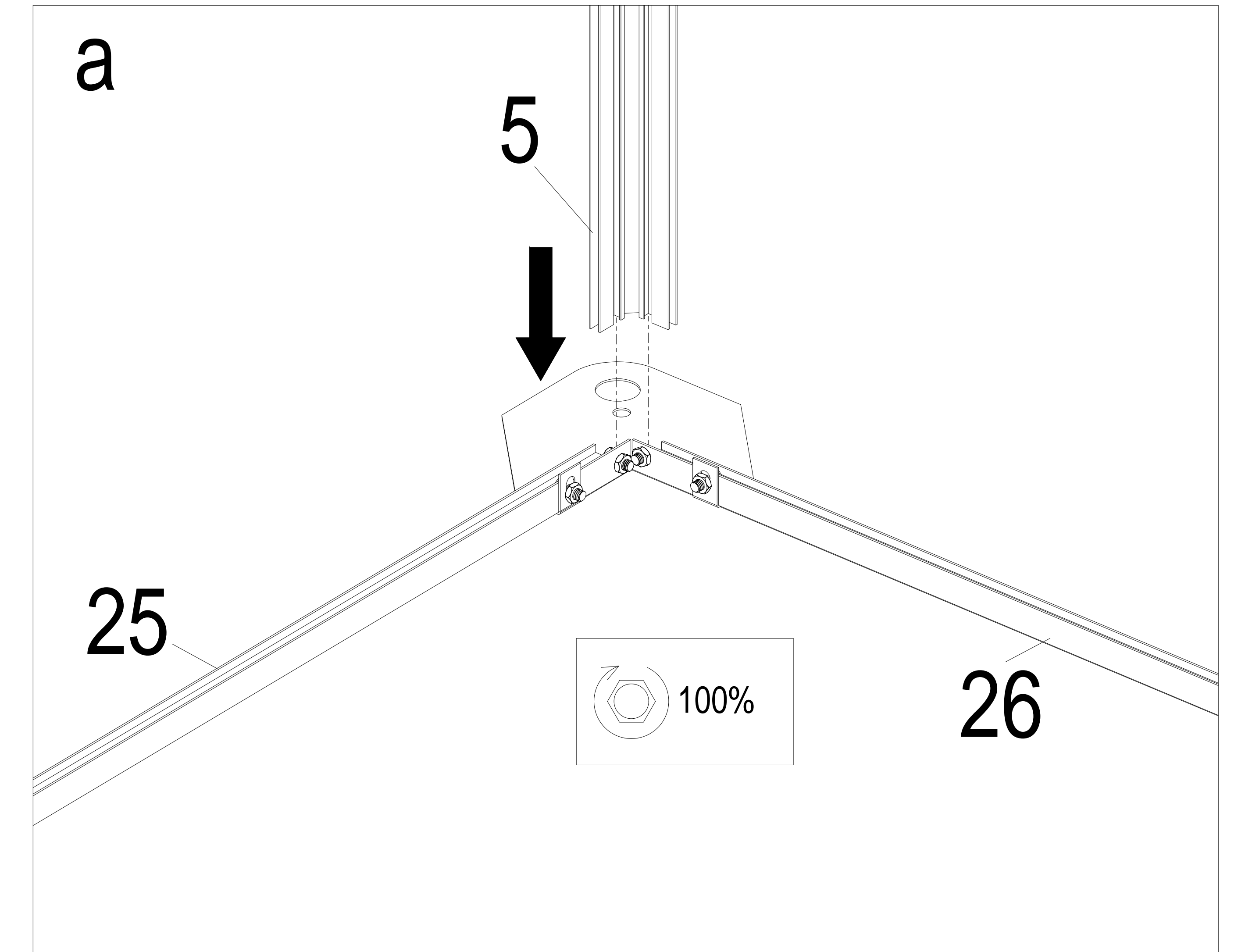
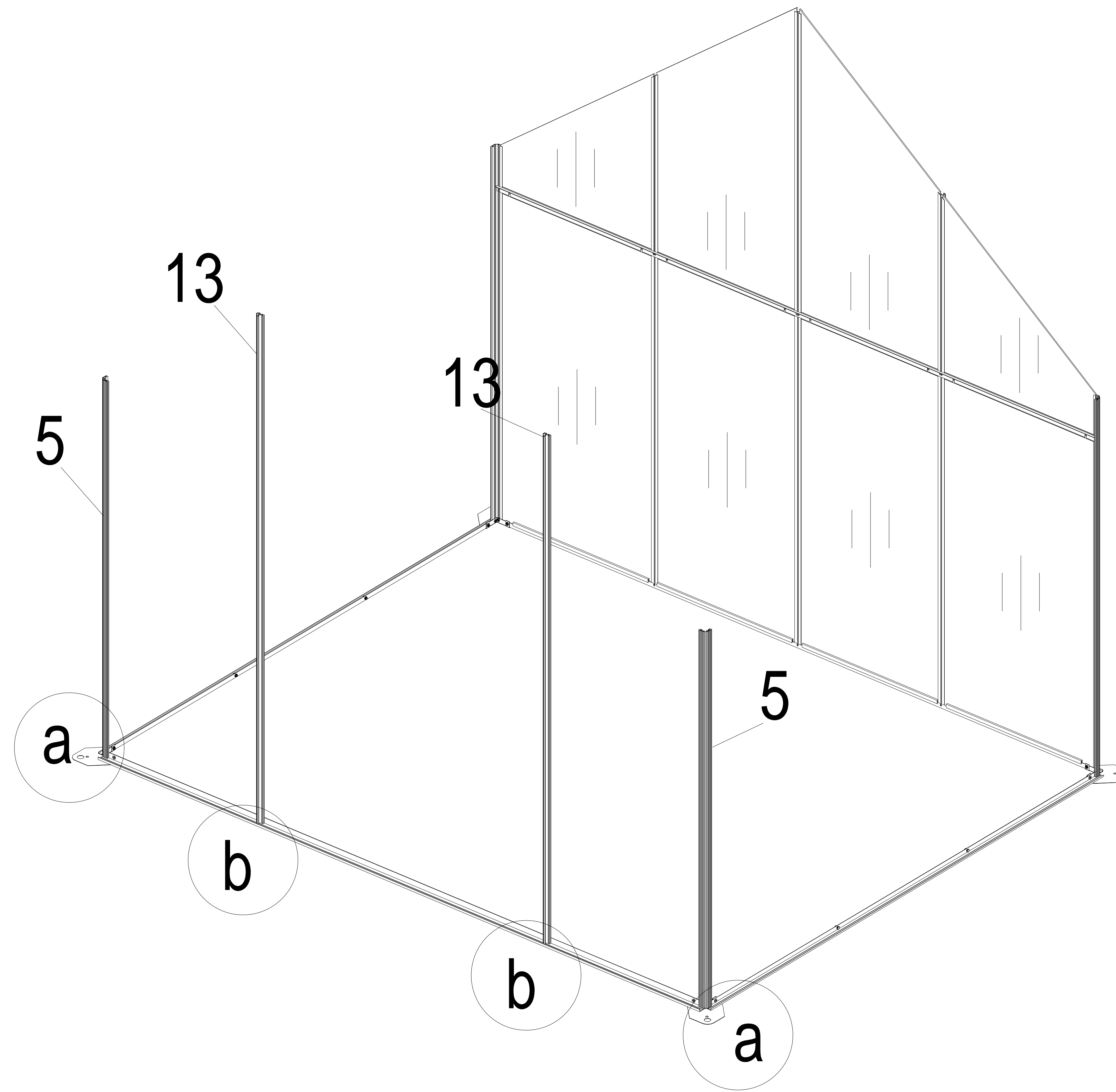
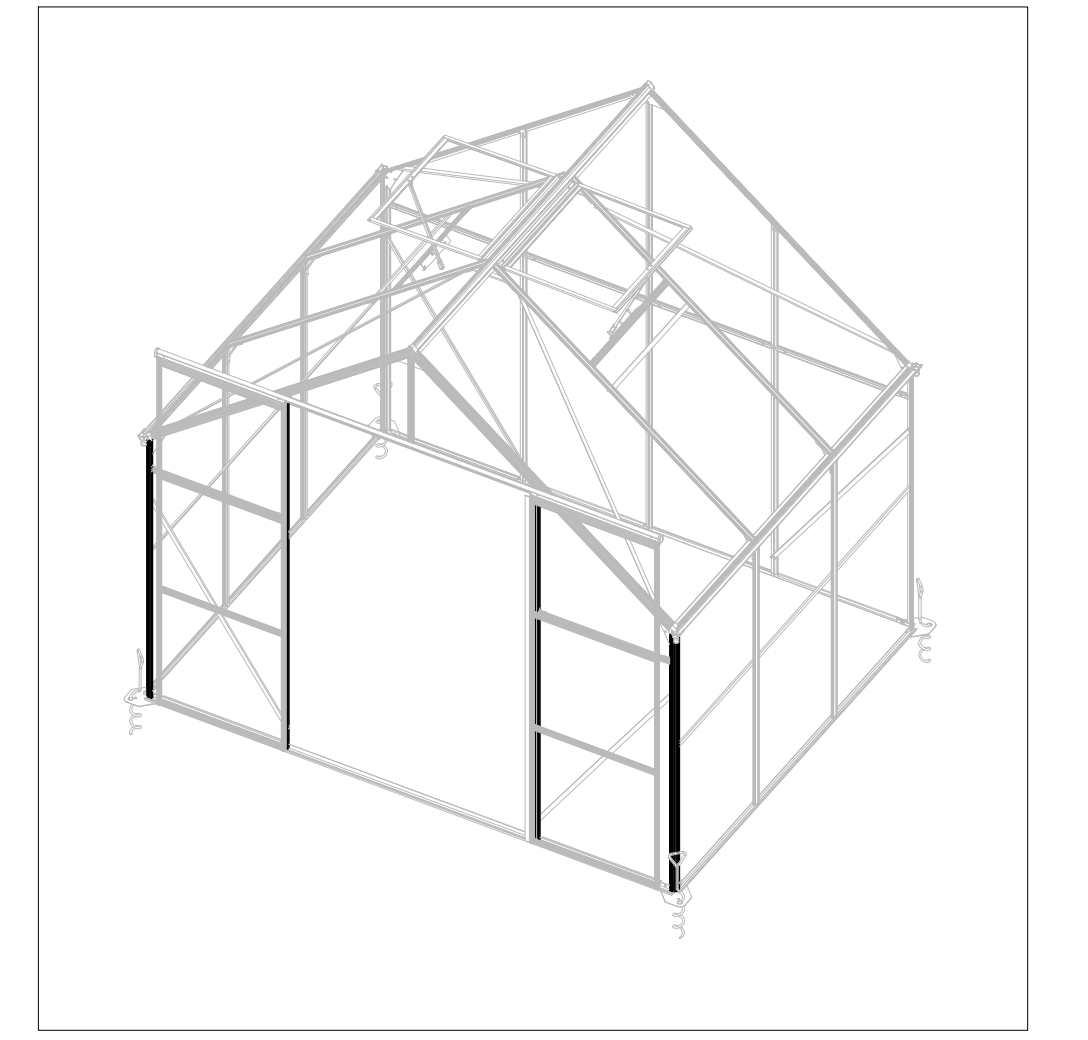
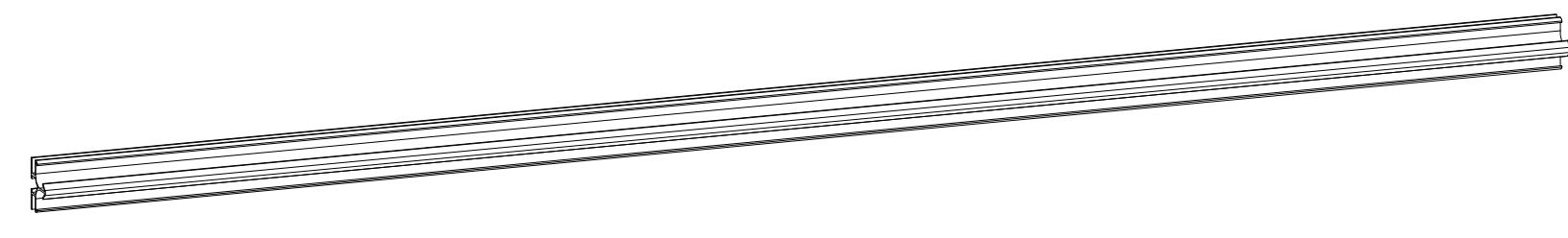
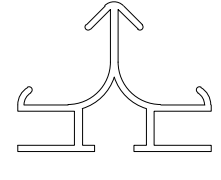
(M5x10)
F4x8



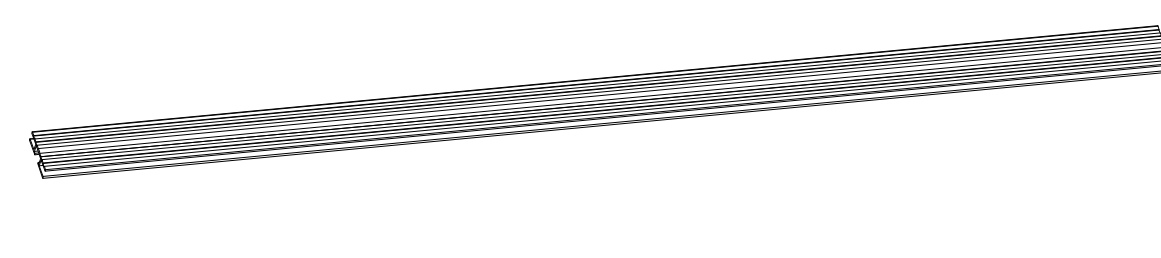
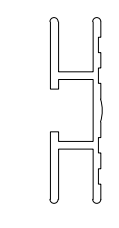
5x2



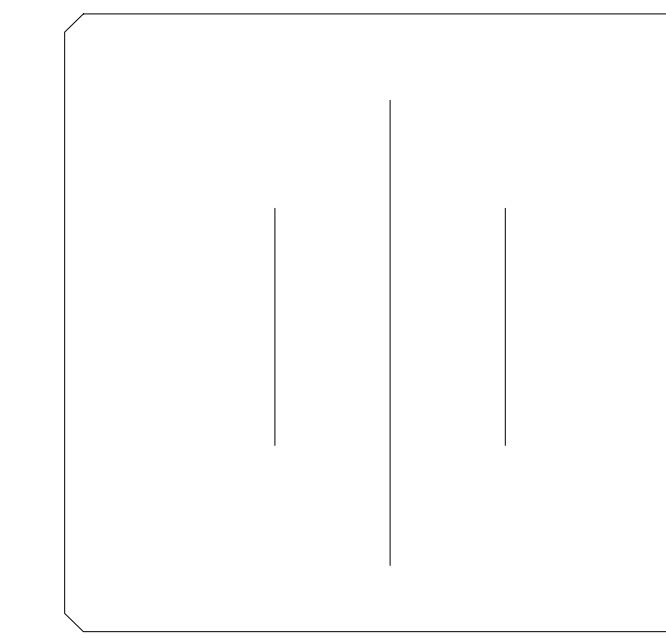
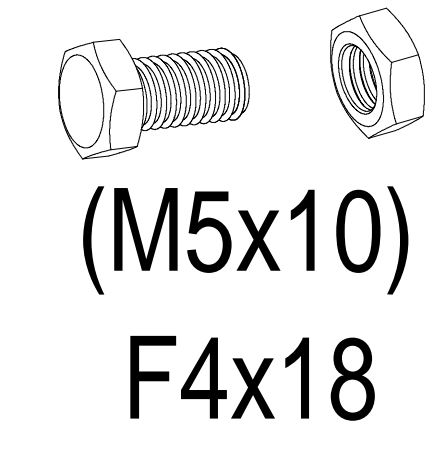
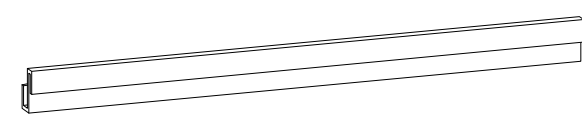
13x2



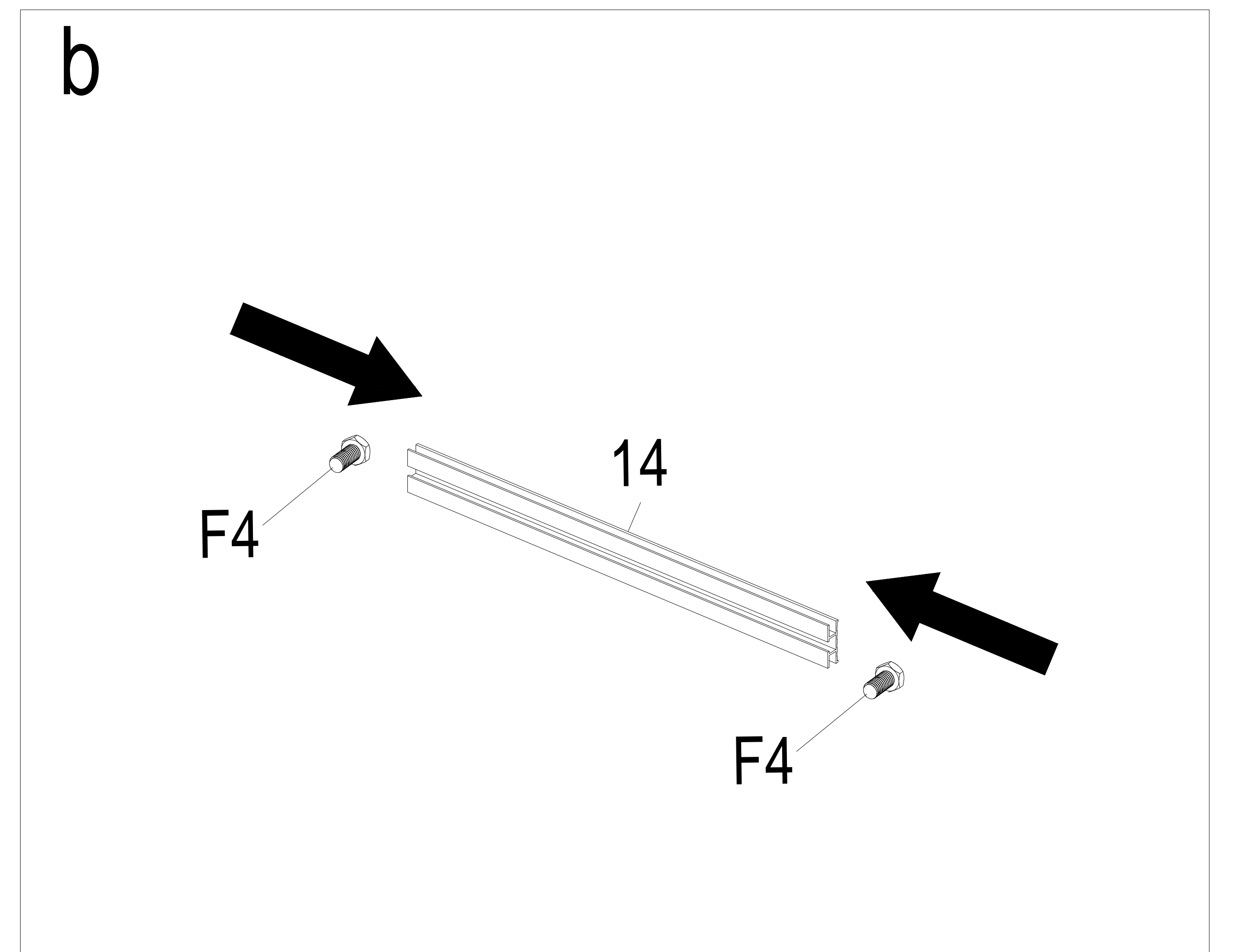
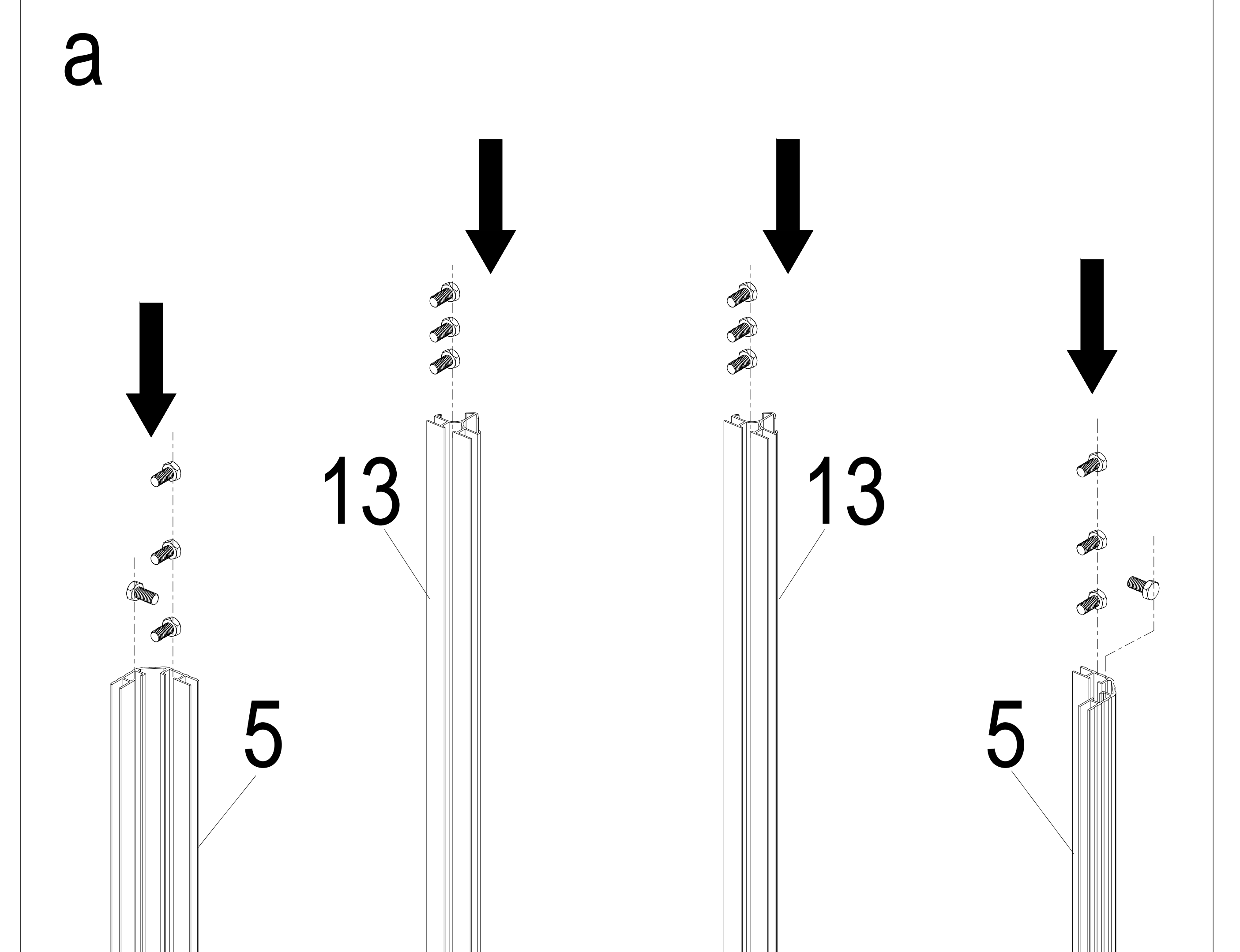
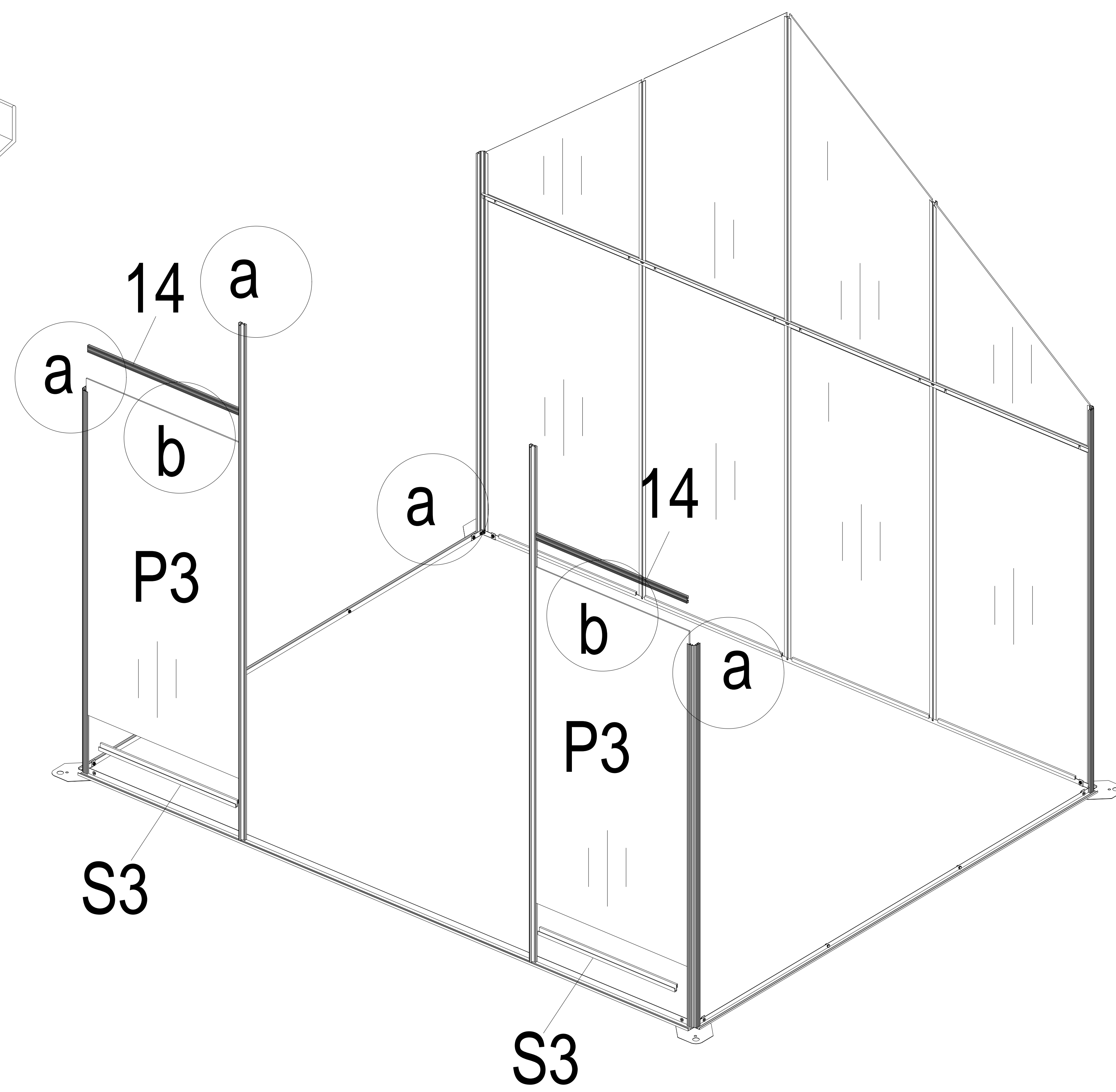
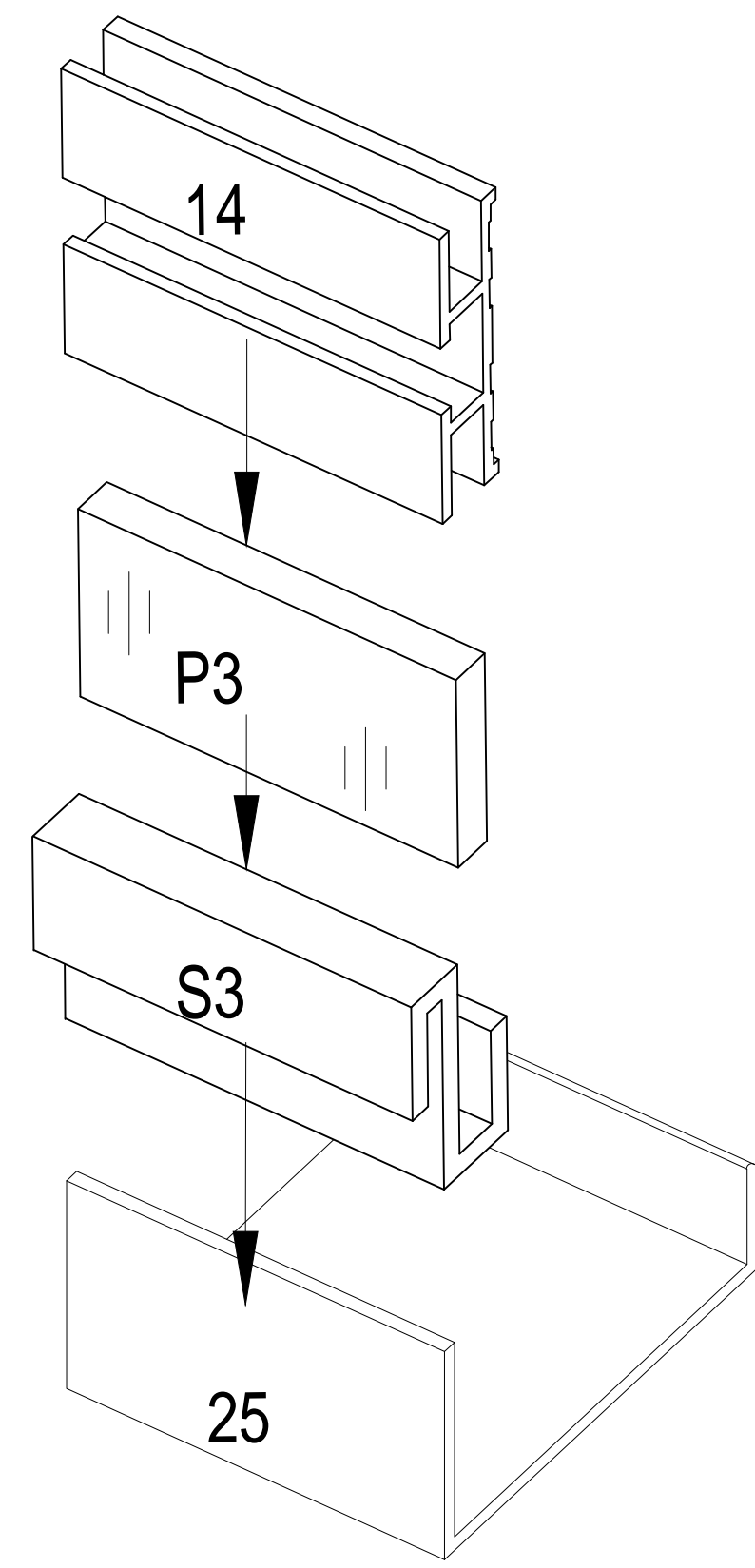
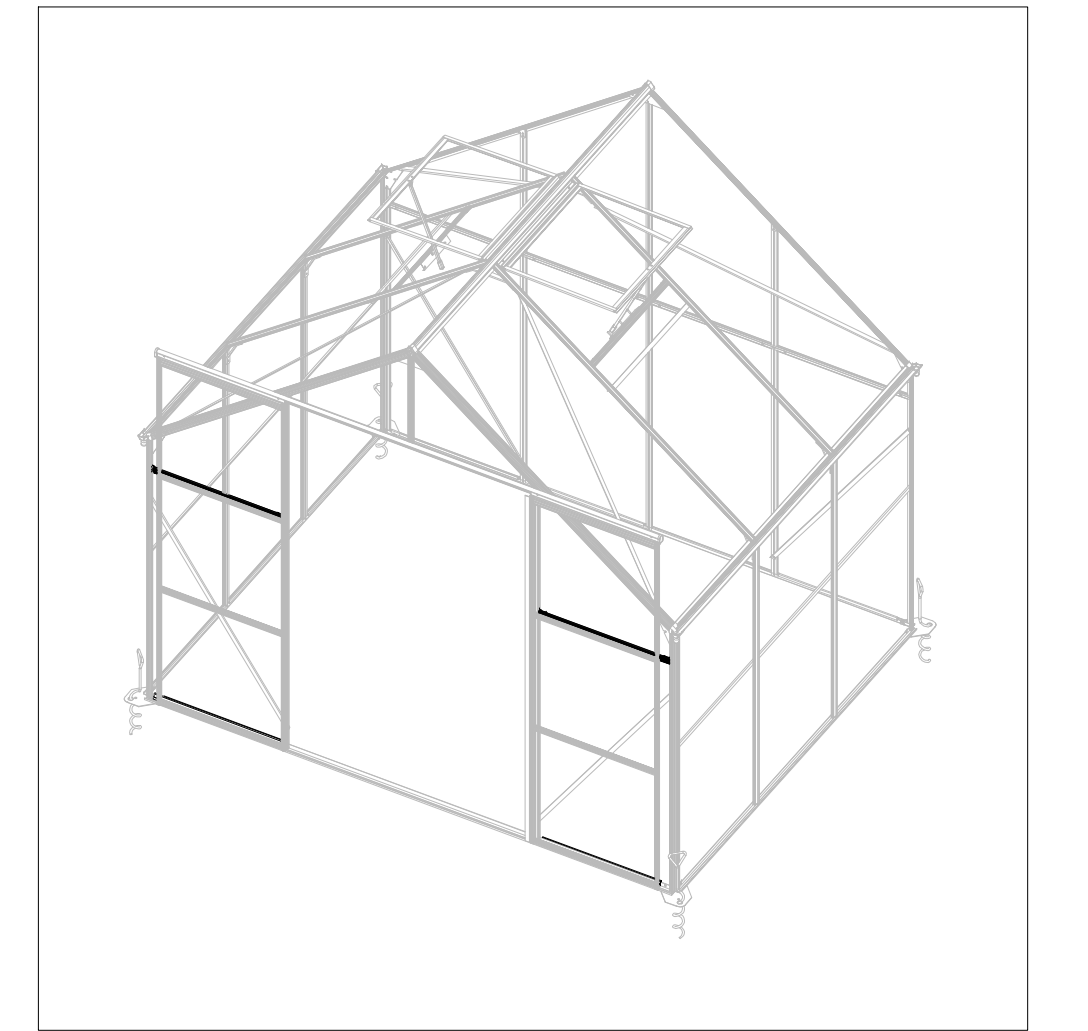
14x2

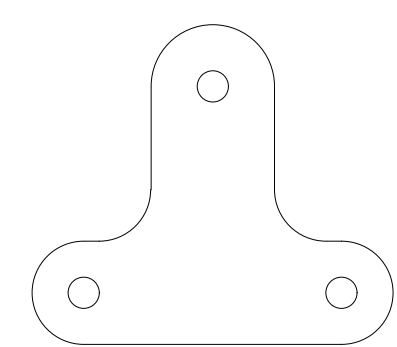


S3x2

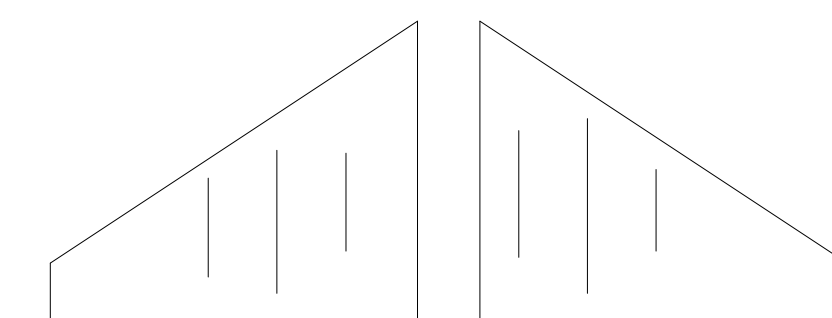


P3x2



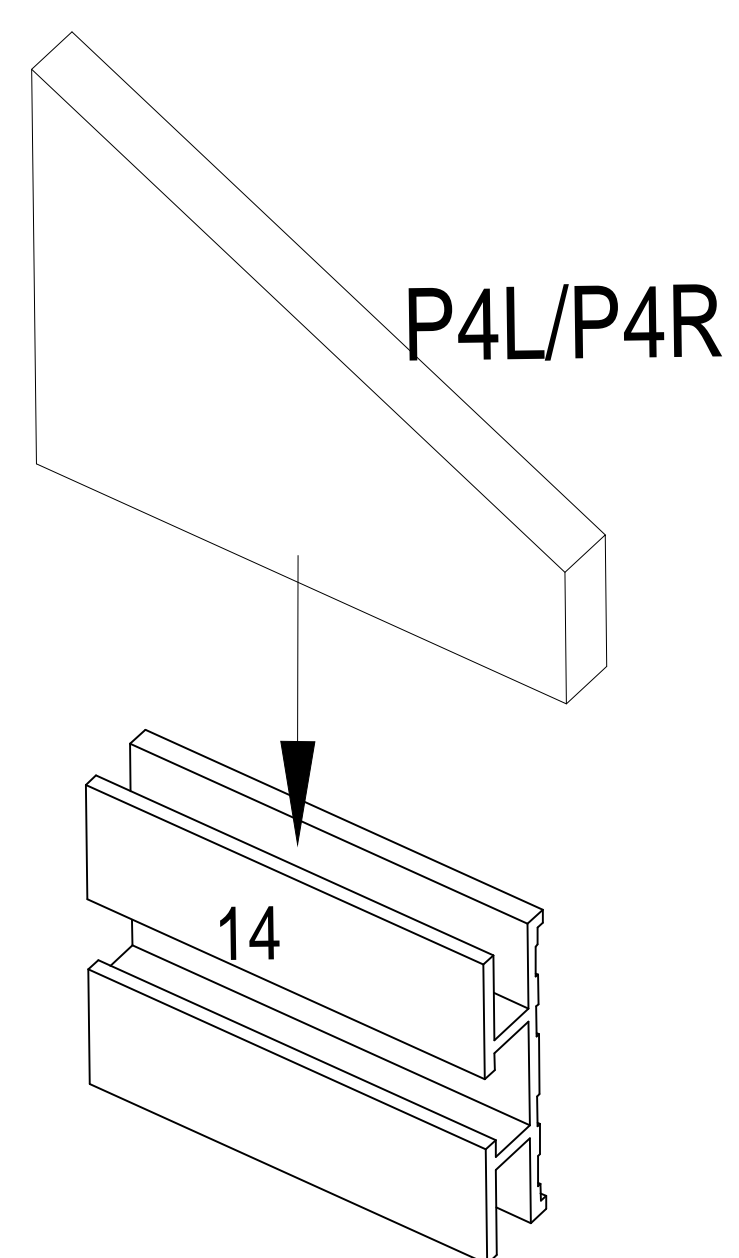
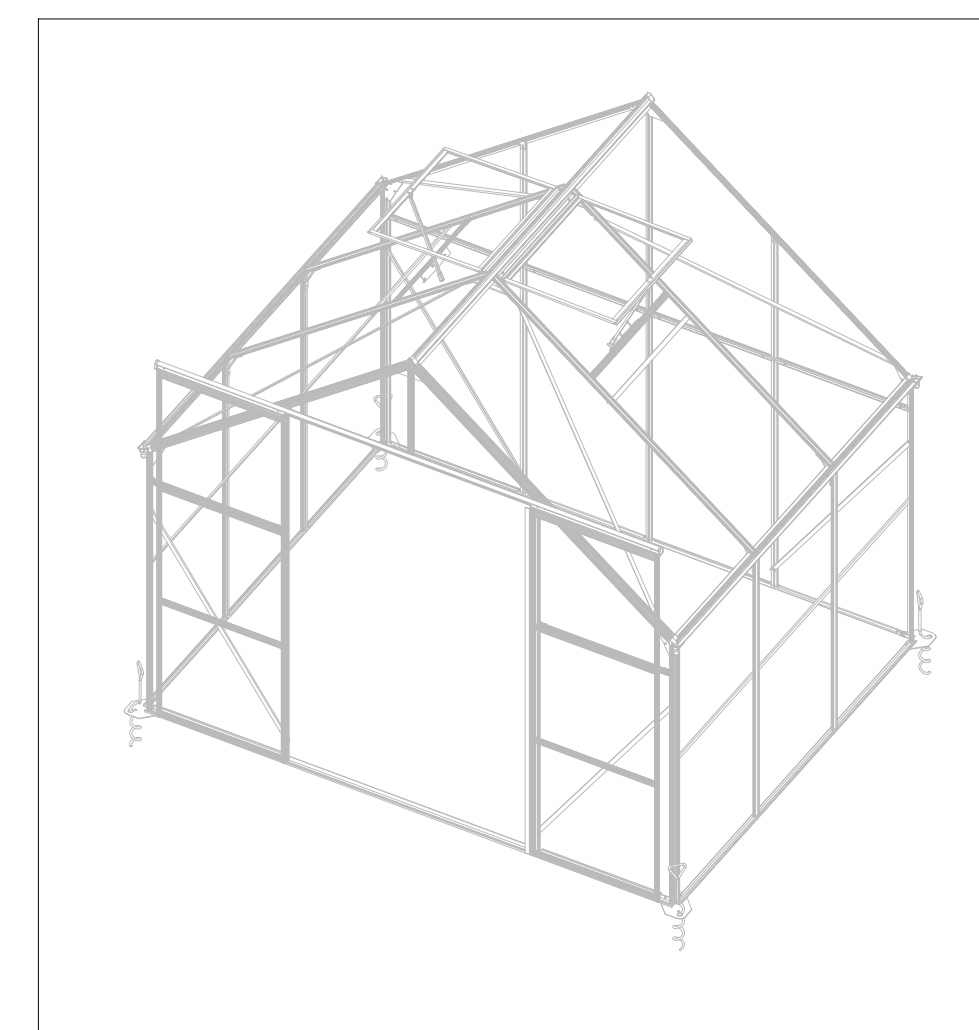


B4x4



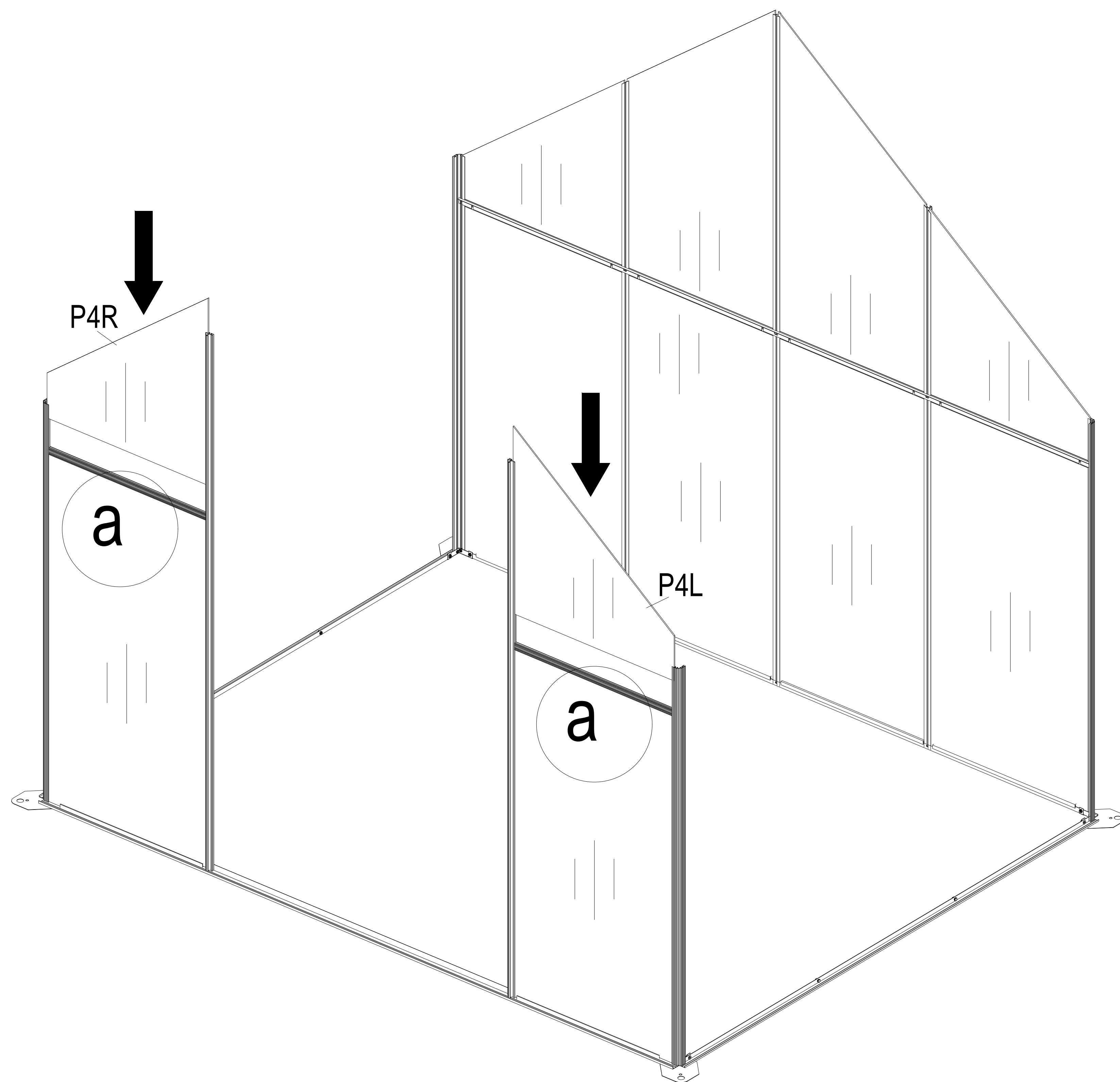
P4Lx1

P4Rx1



P4L/P4R

14

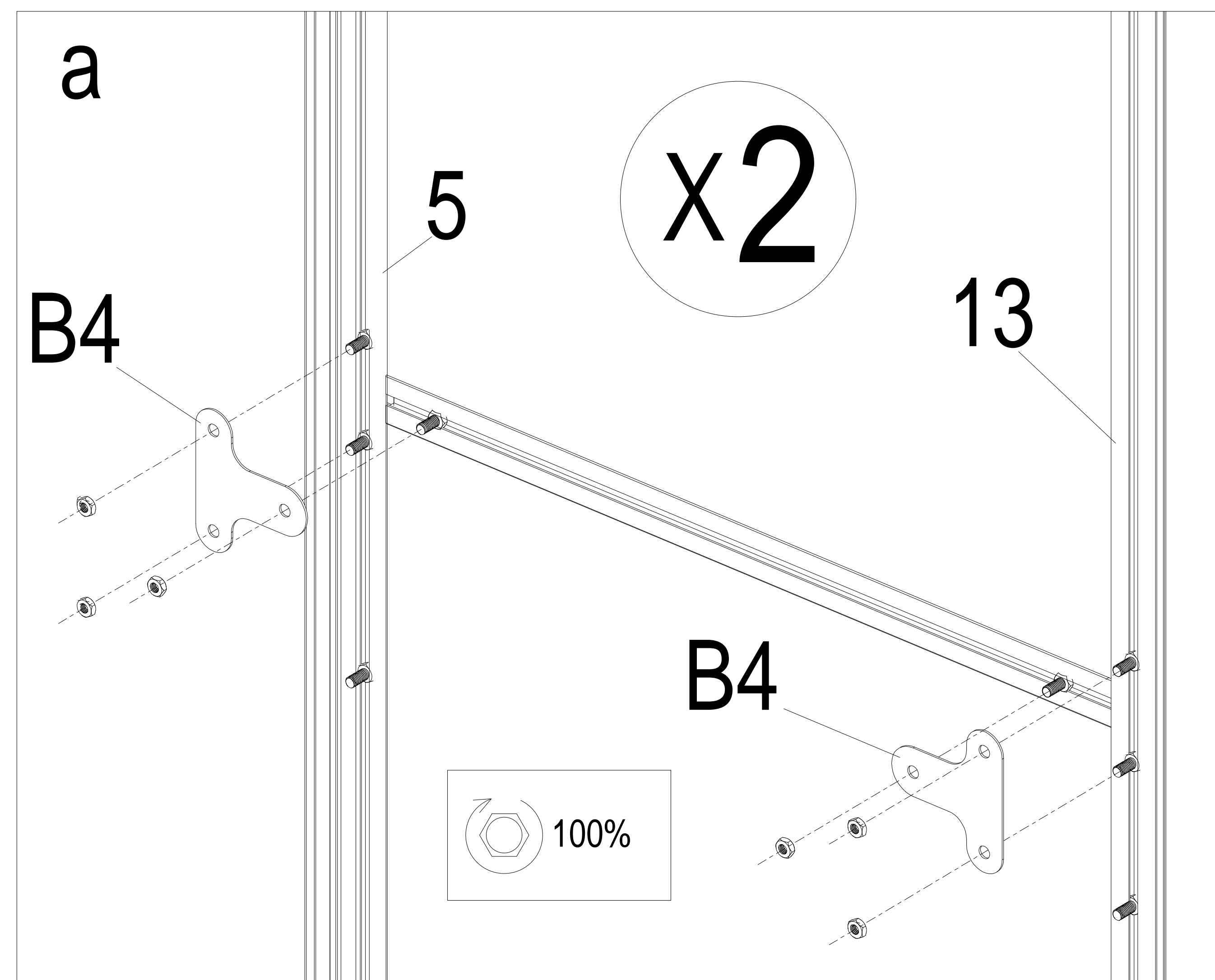


P4R

a

P4L

a



a

5

x2

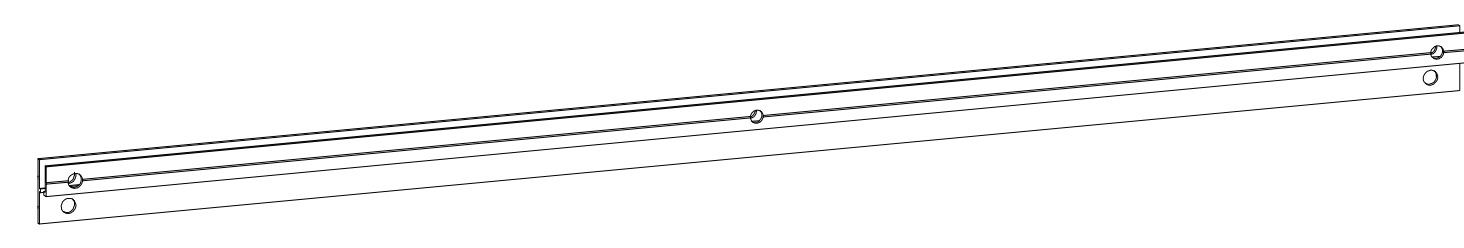
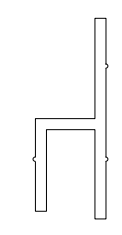
B4

13

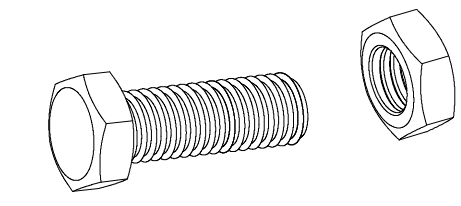
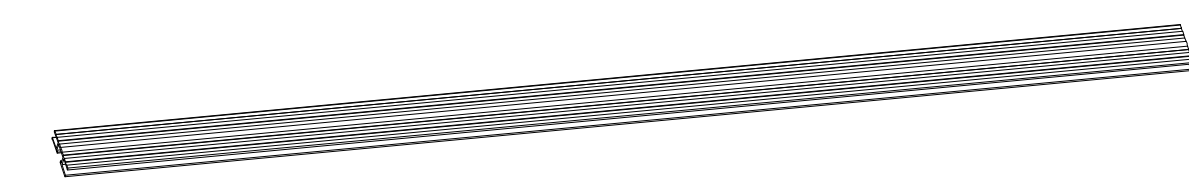
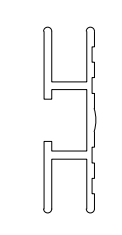
B4

100%

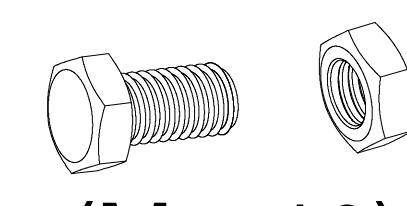
23x1



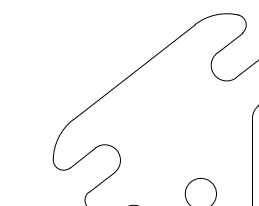
17x1



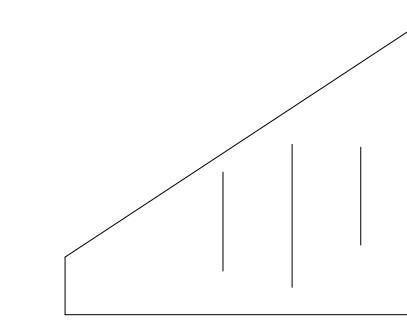
(M5x20)
F6x3



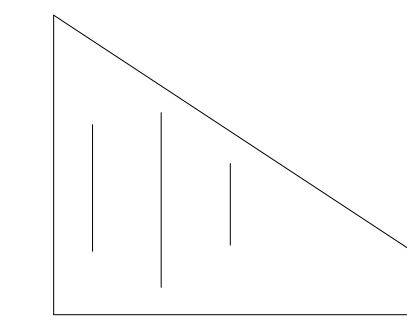
(M5x10)
F4x2



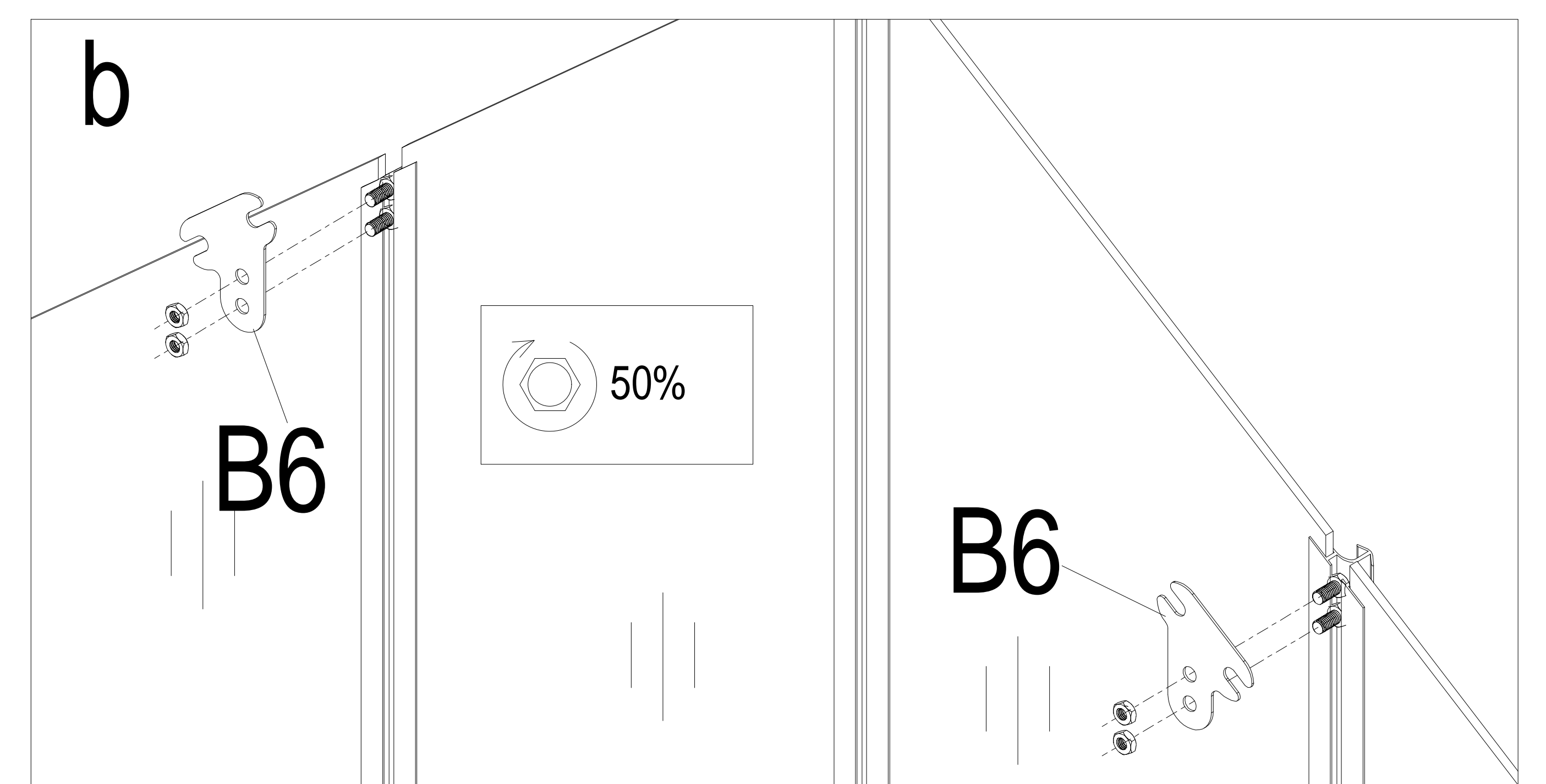
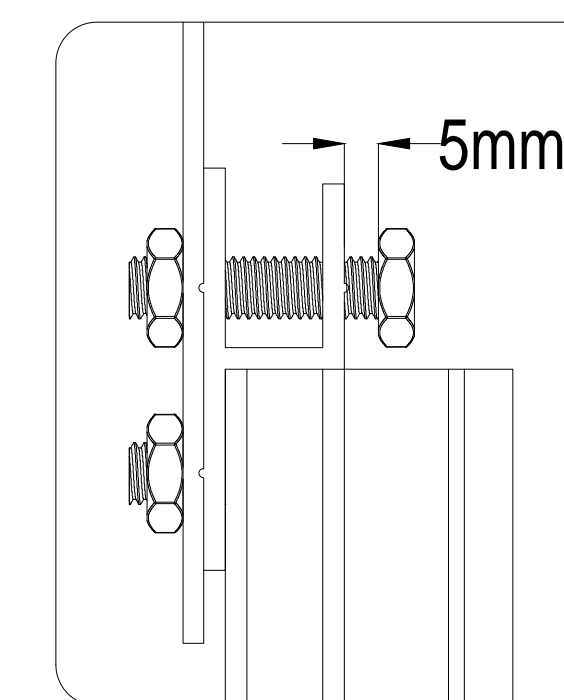
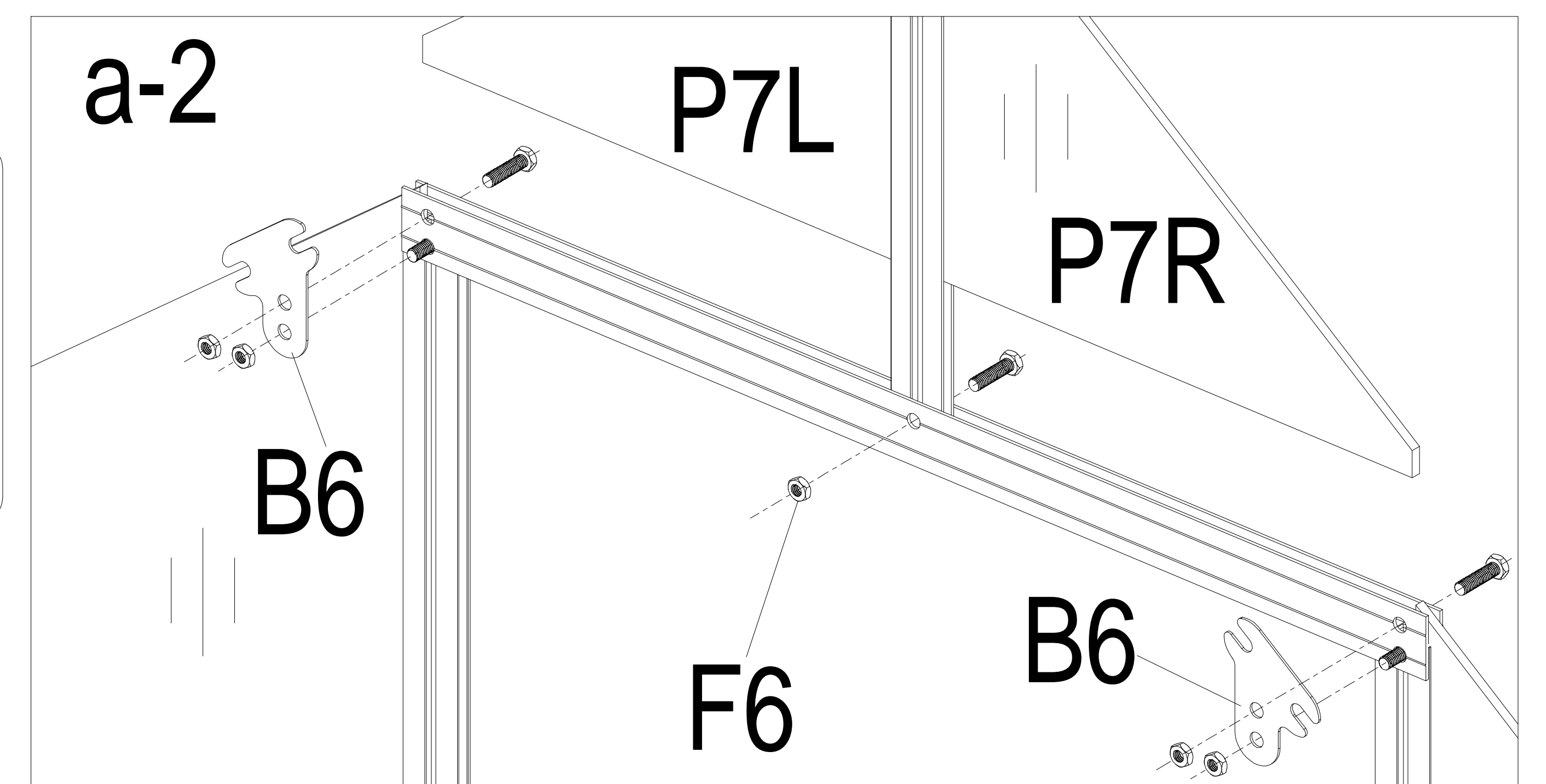
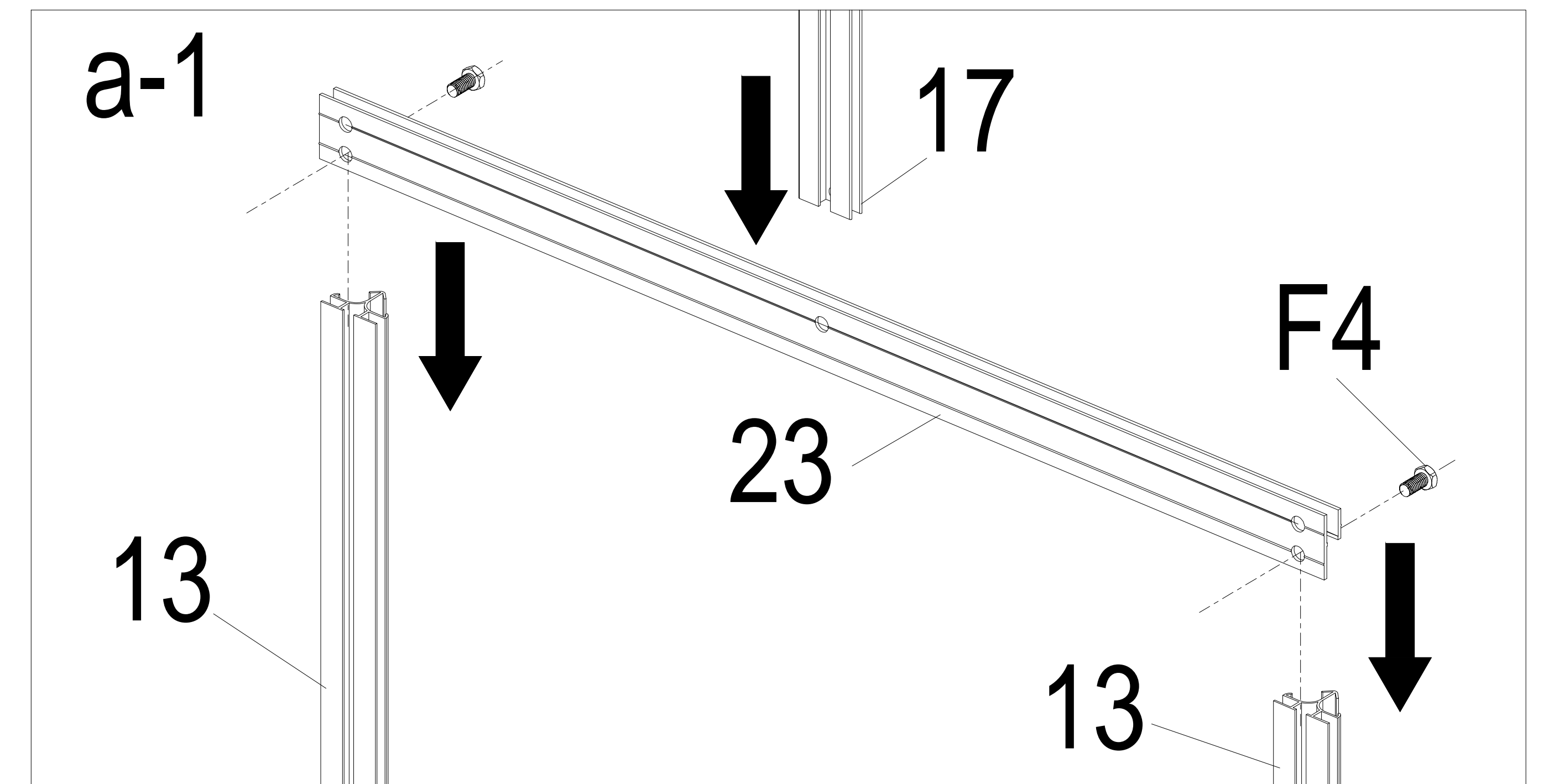
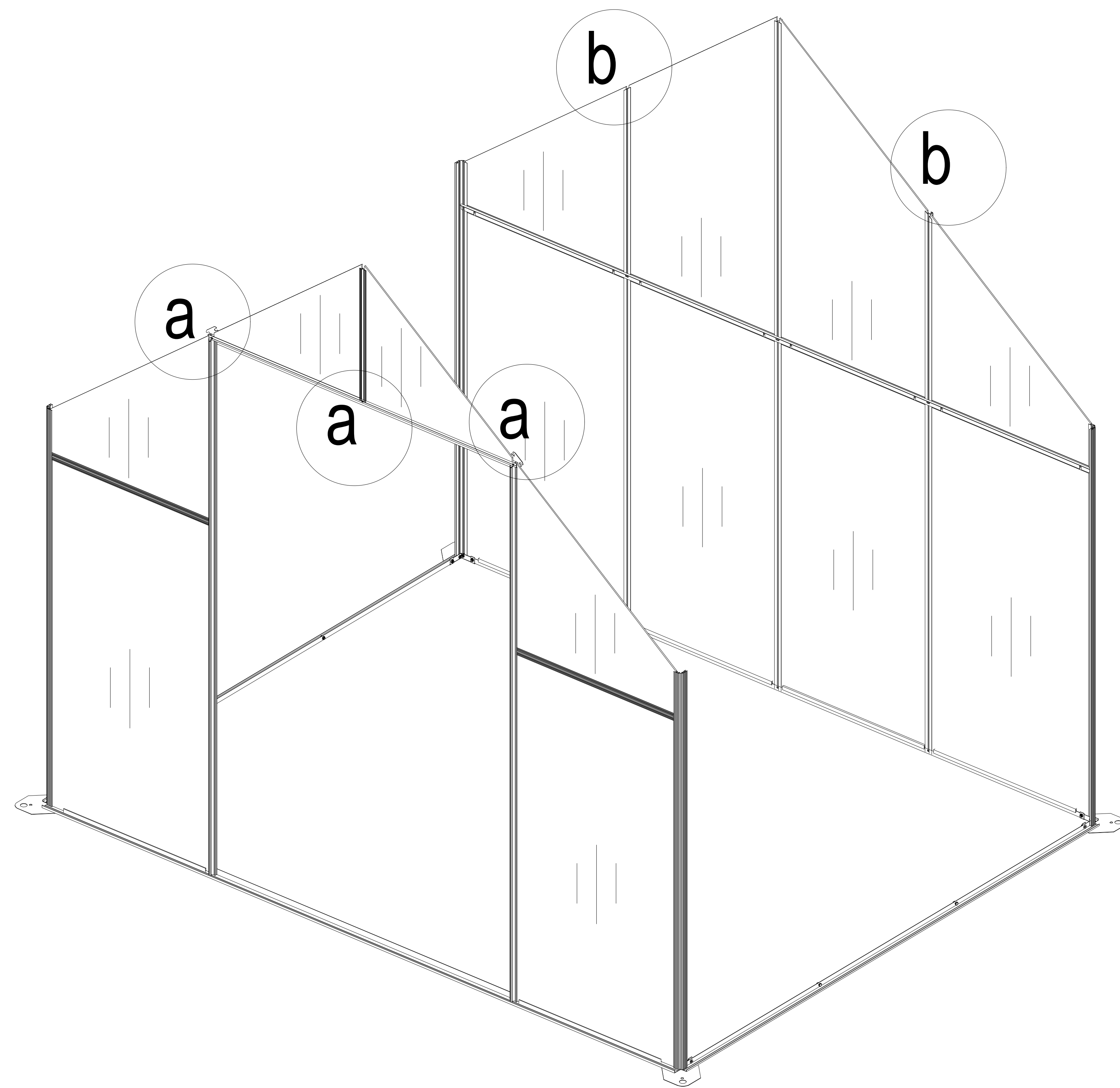
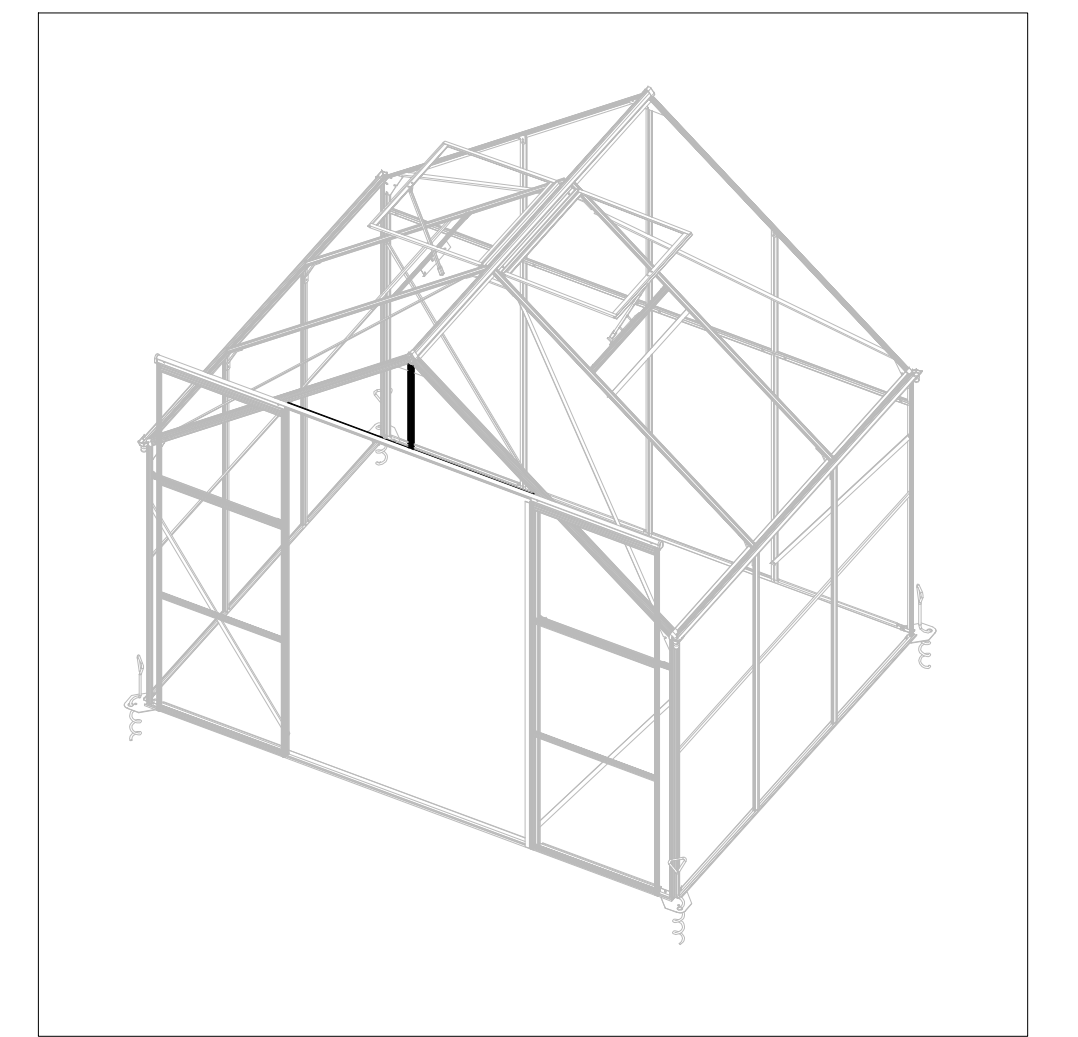
B6x4



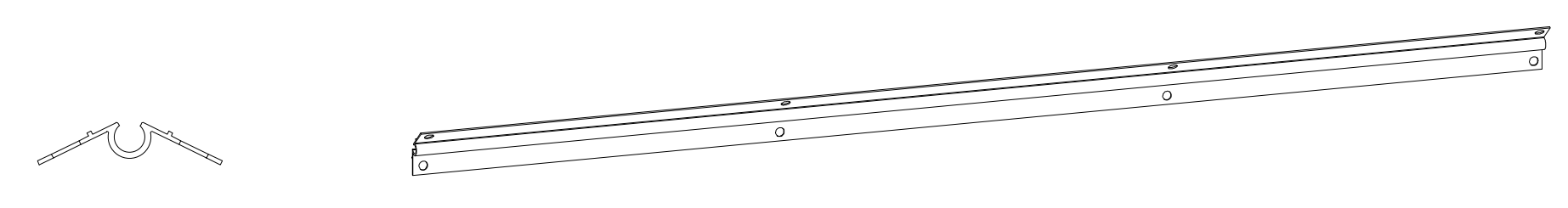
P7Lx1



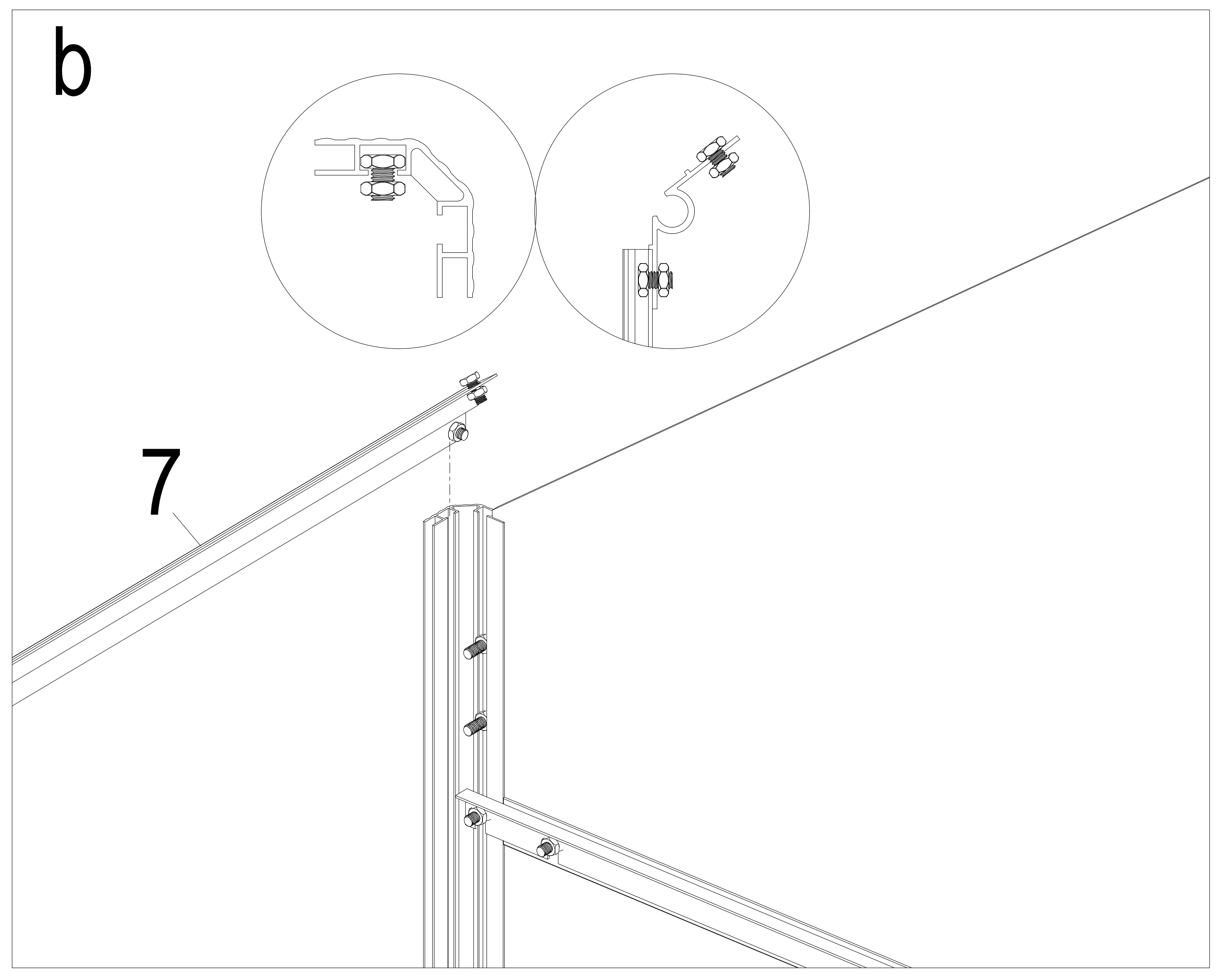
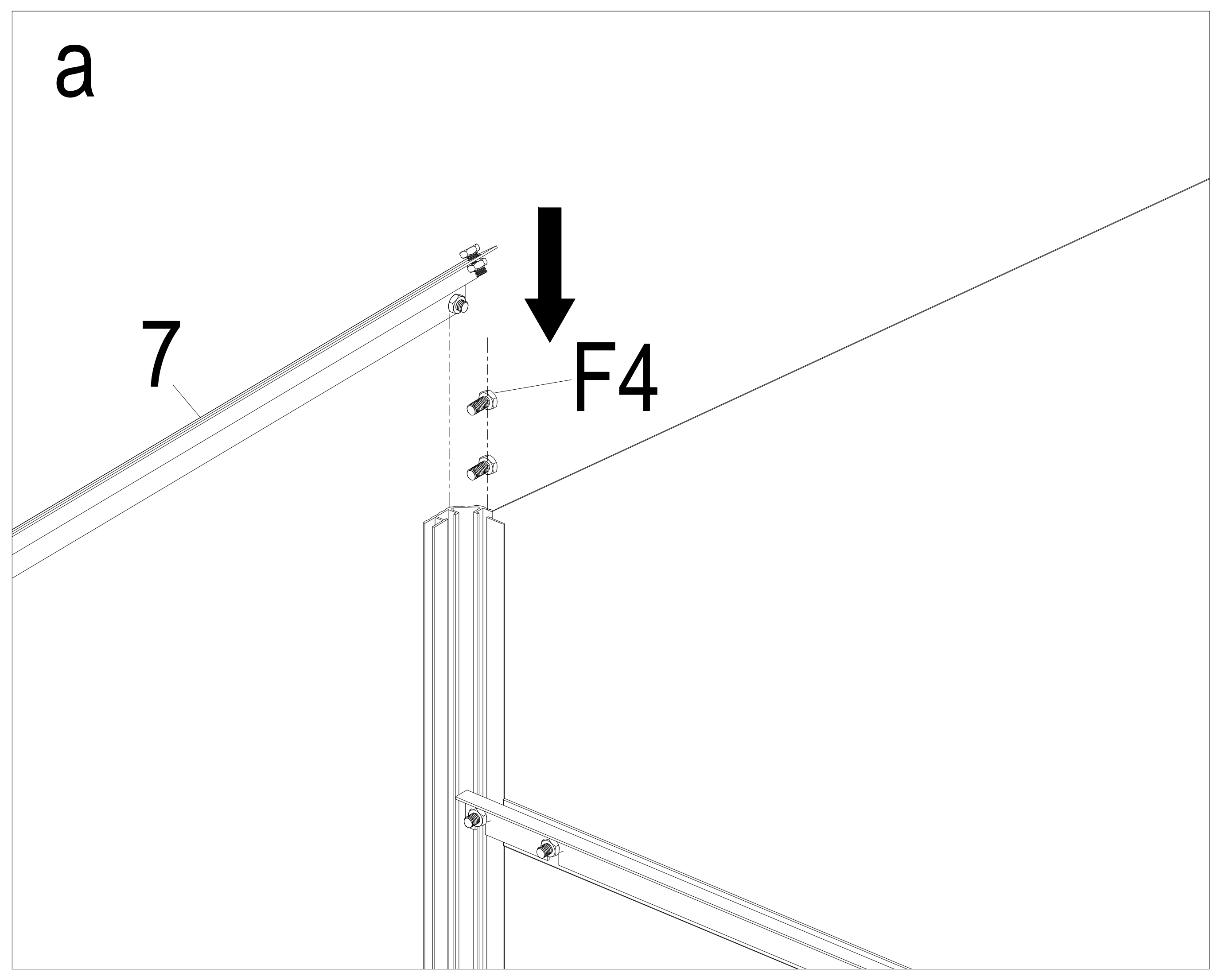
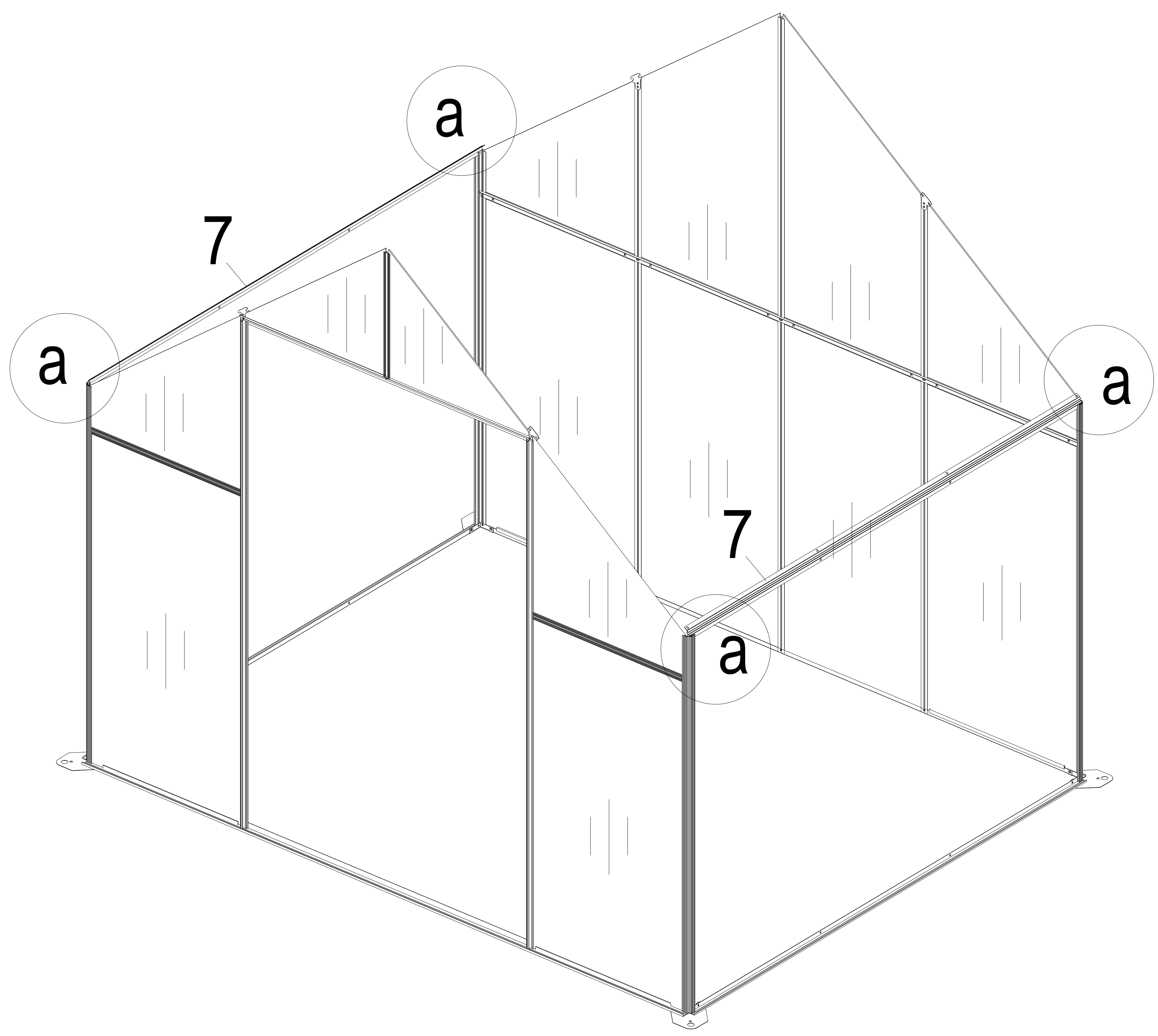
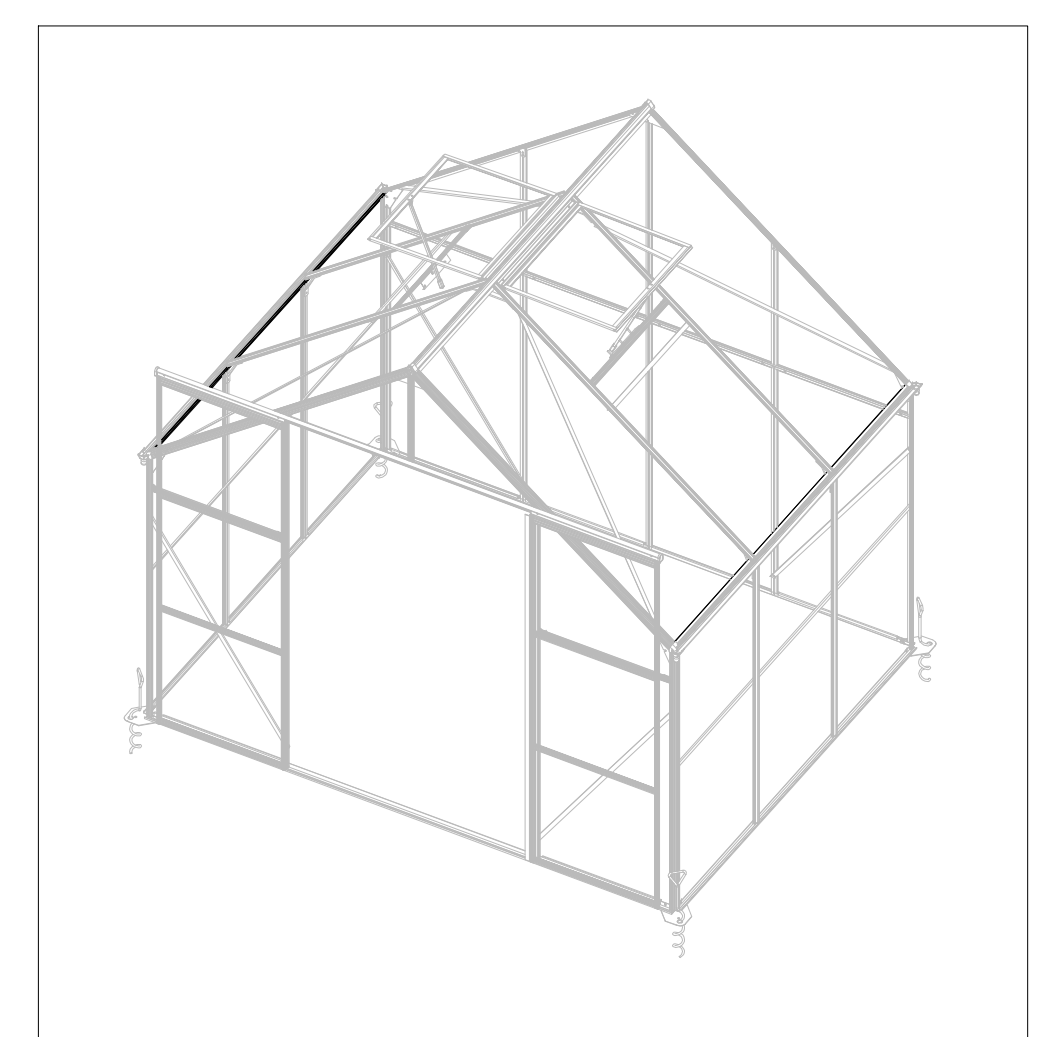
P7Rx1



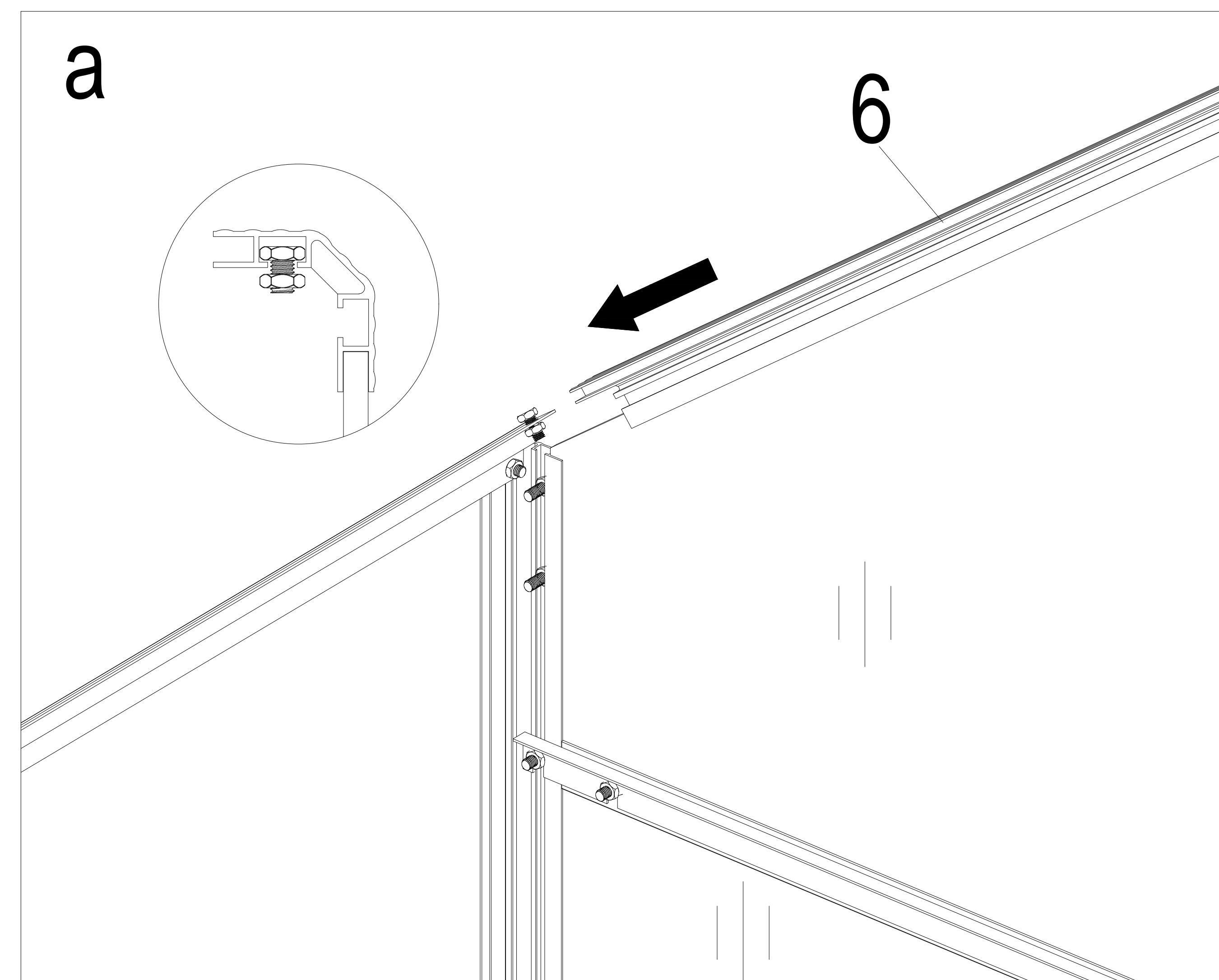
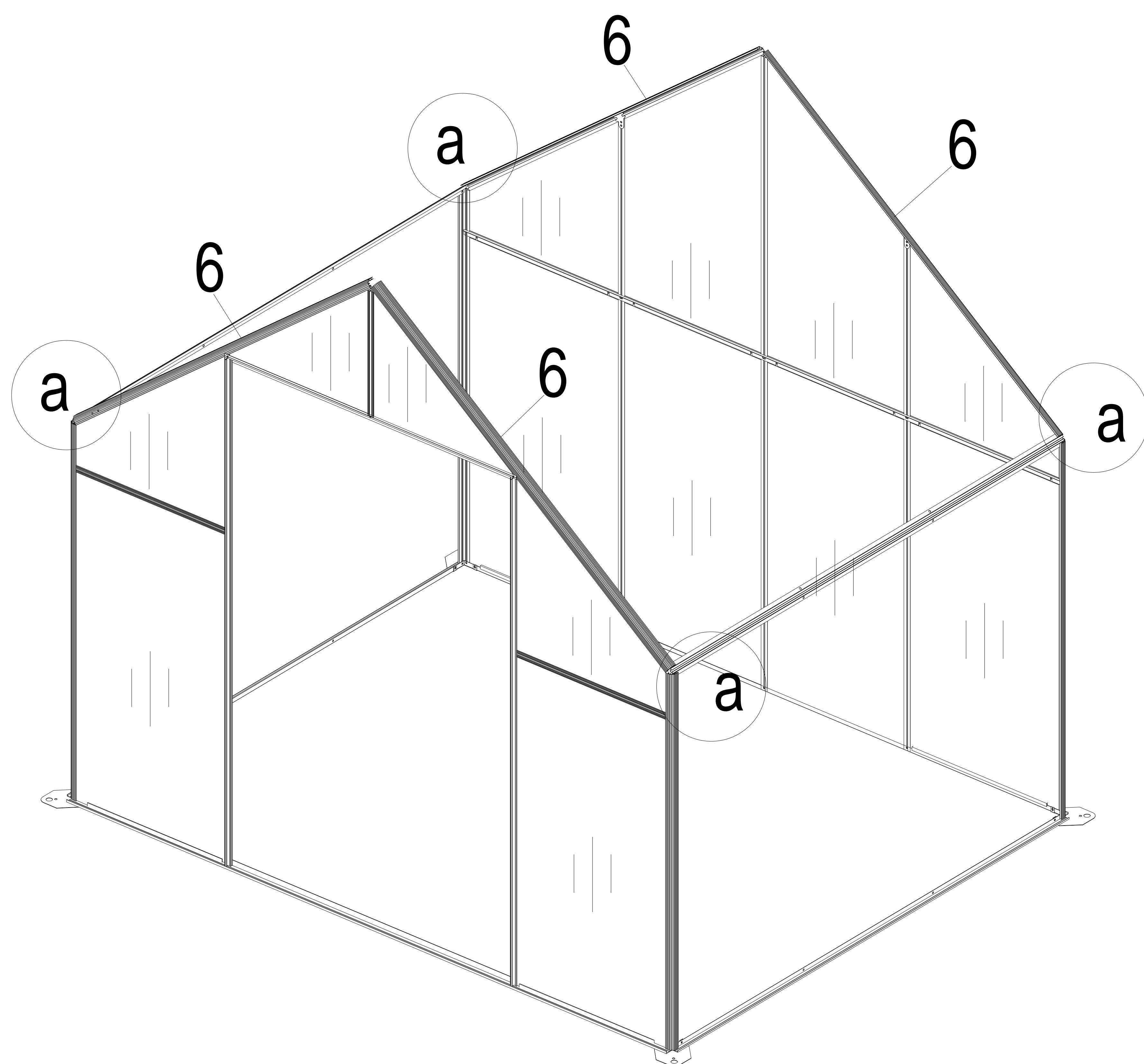
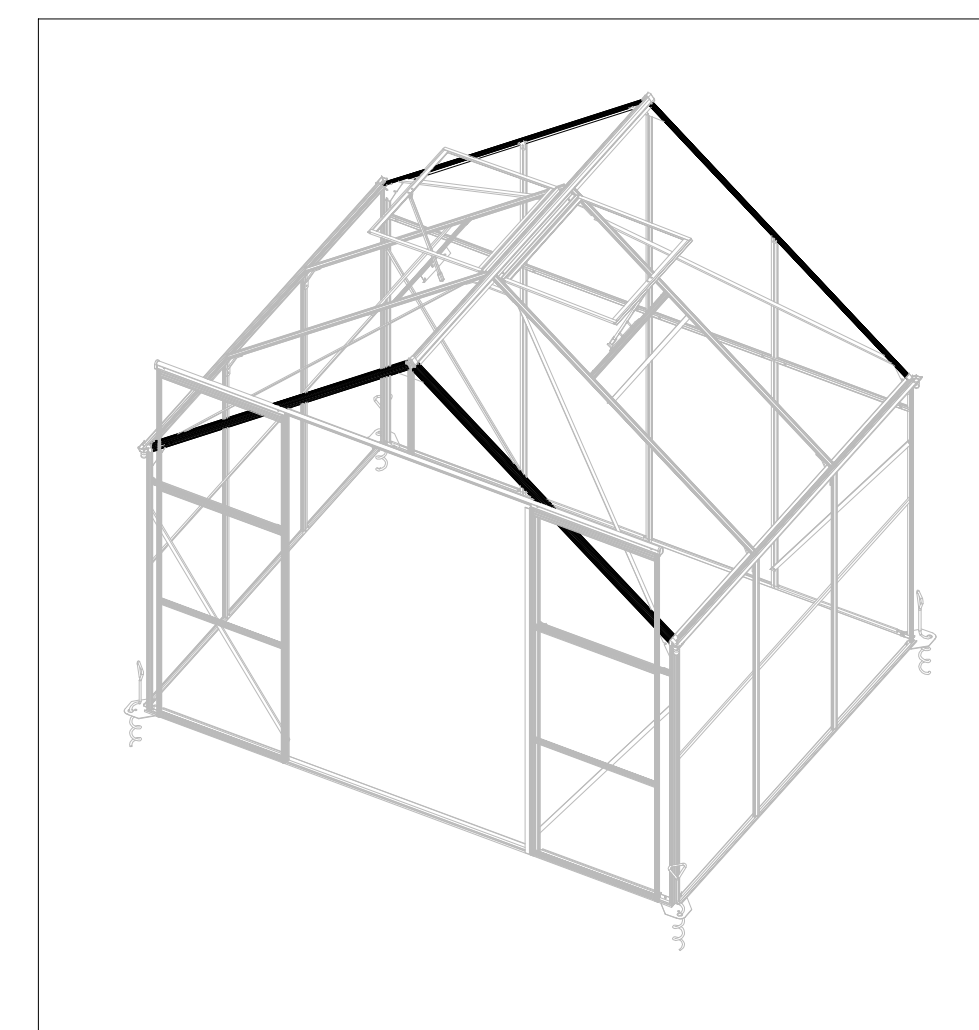
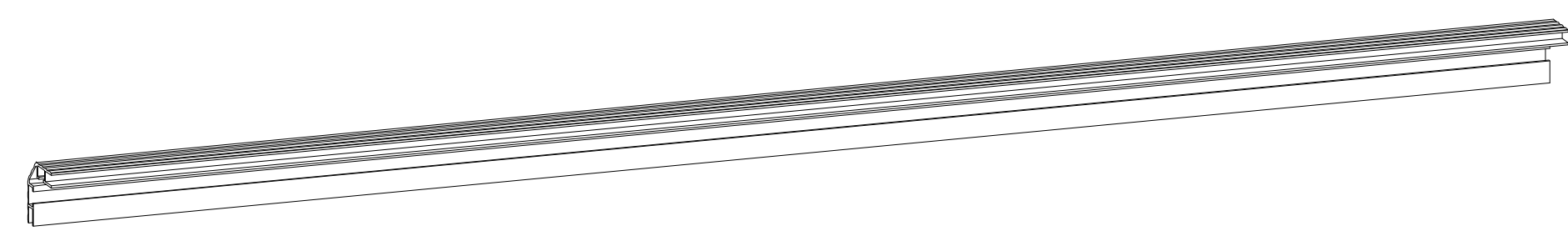
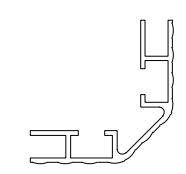
7x2



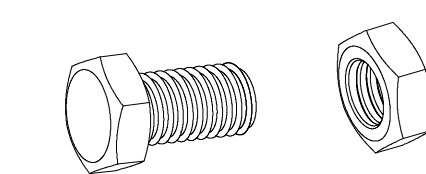
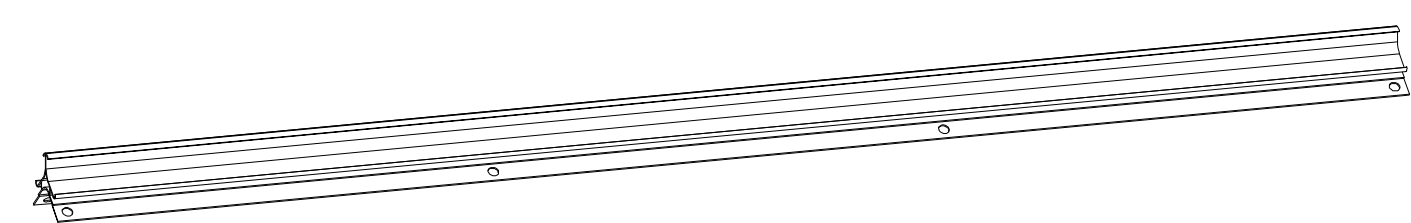
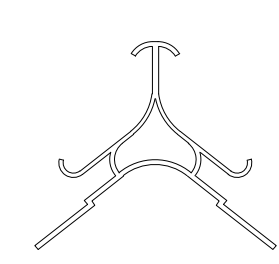
(M5x10)
F4x4



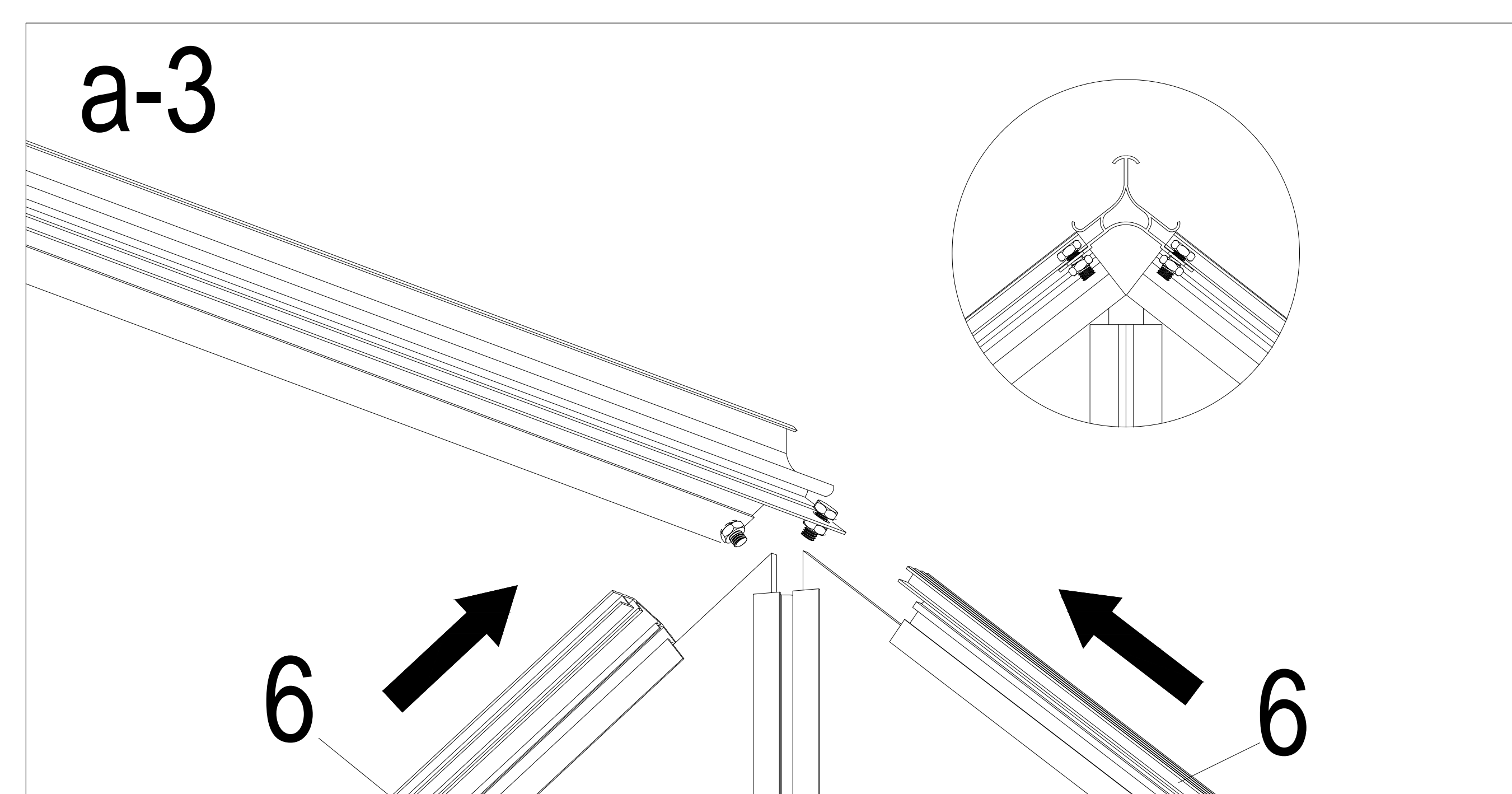
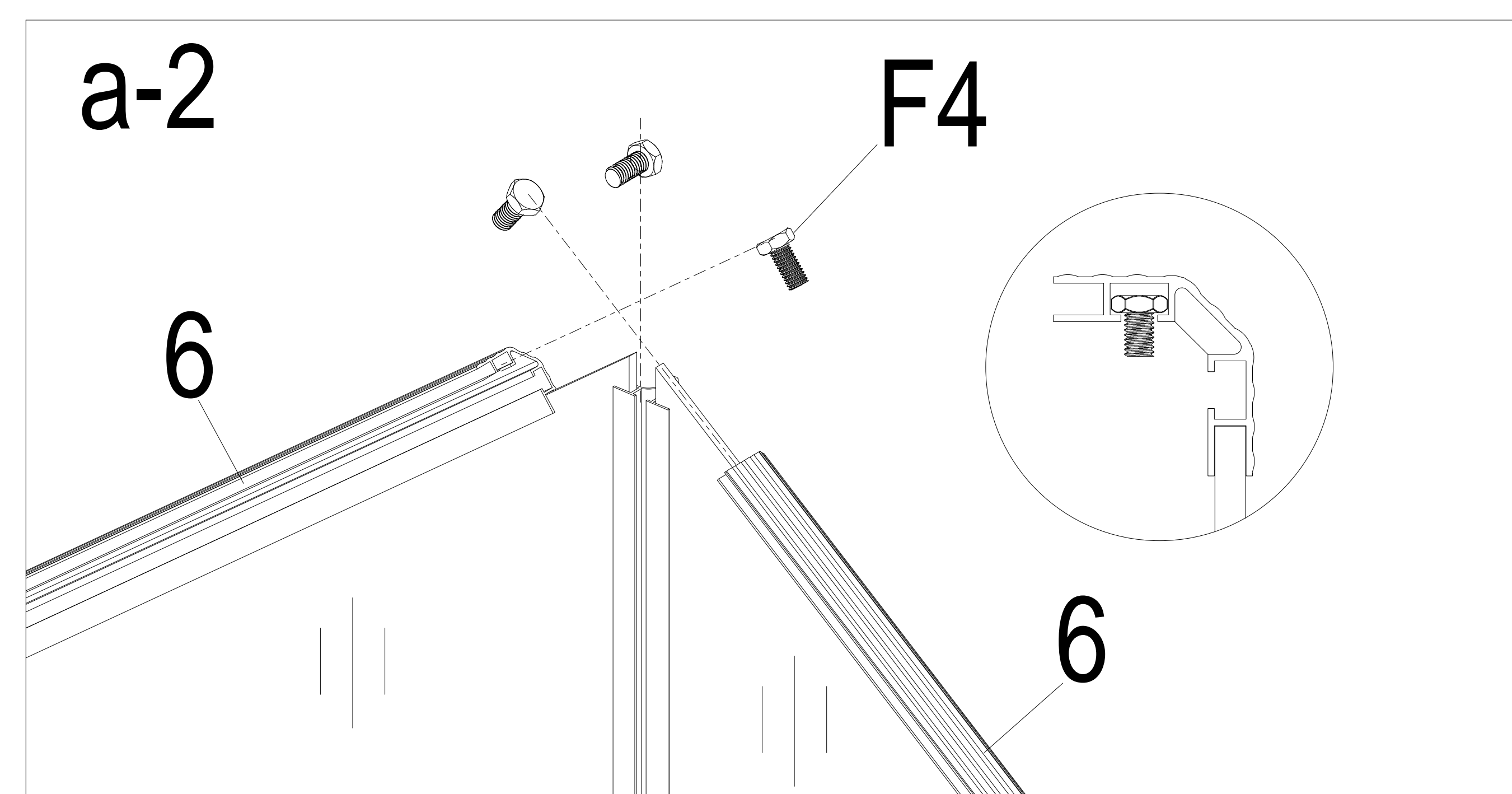
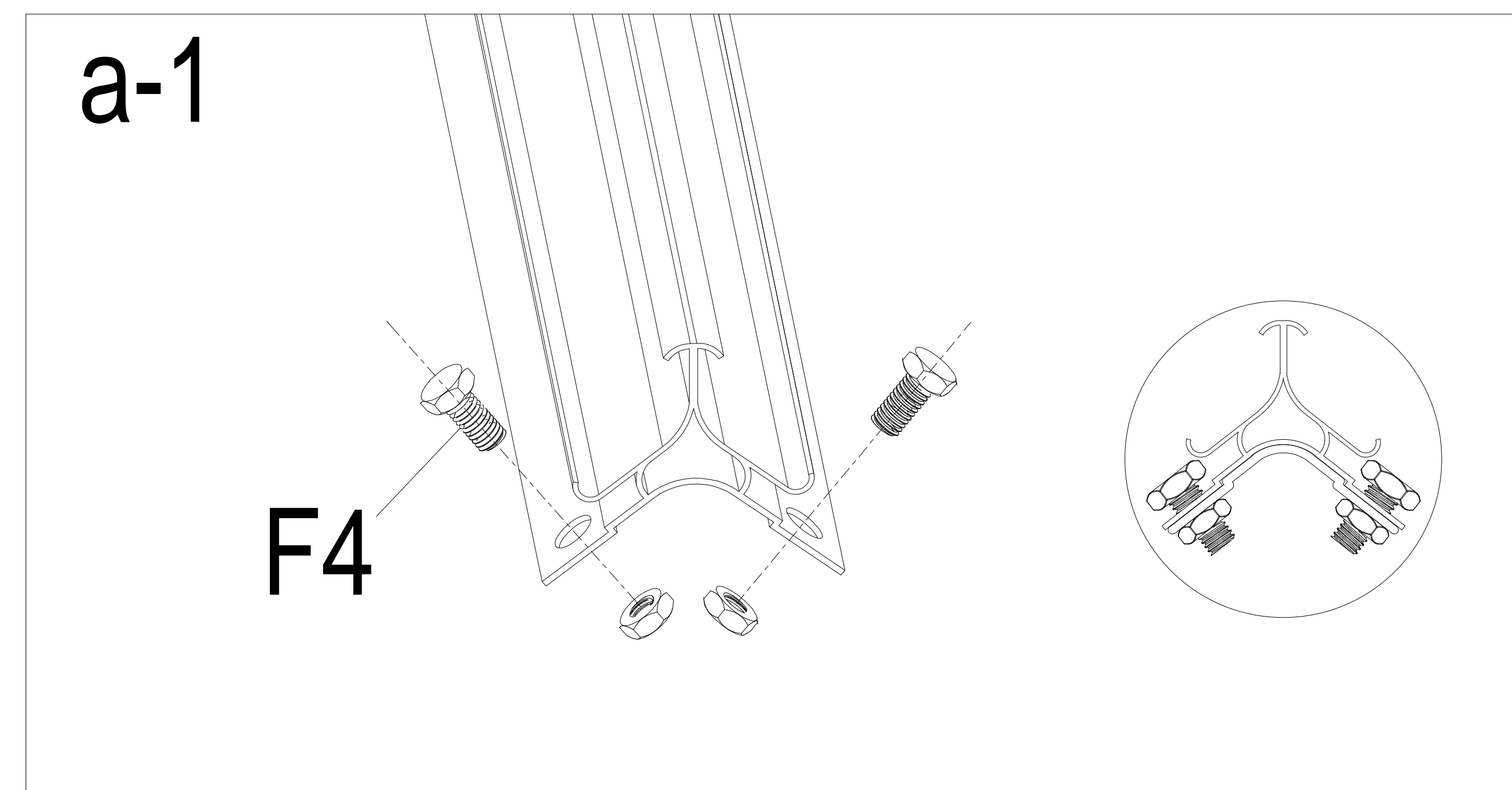
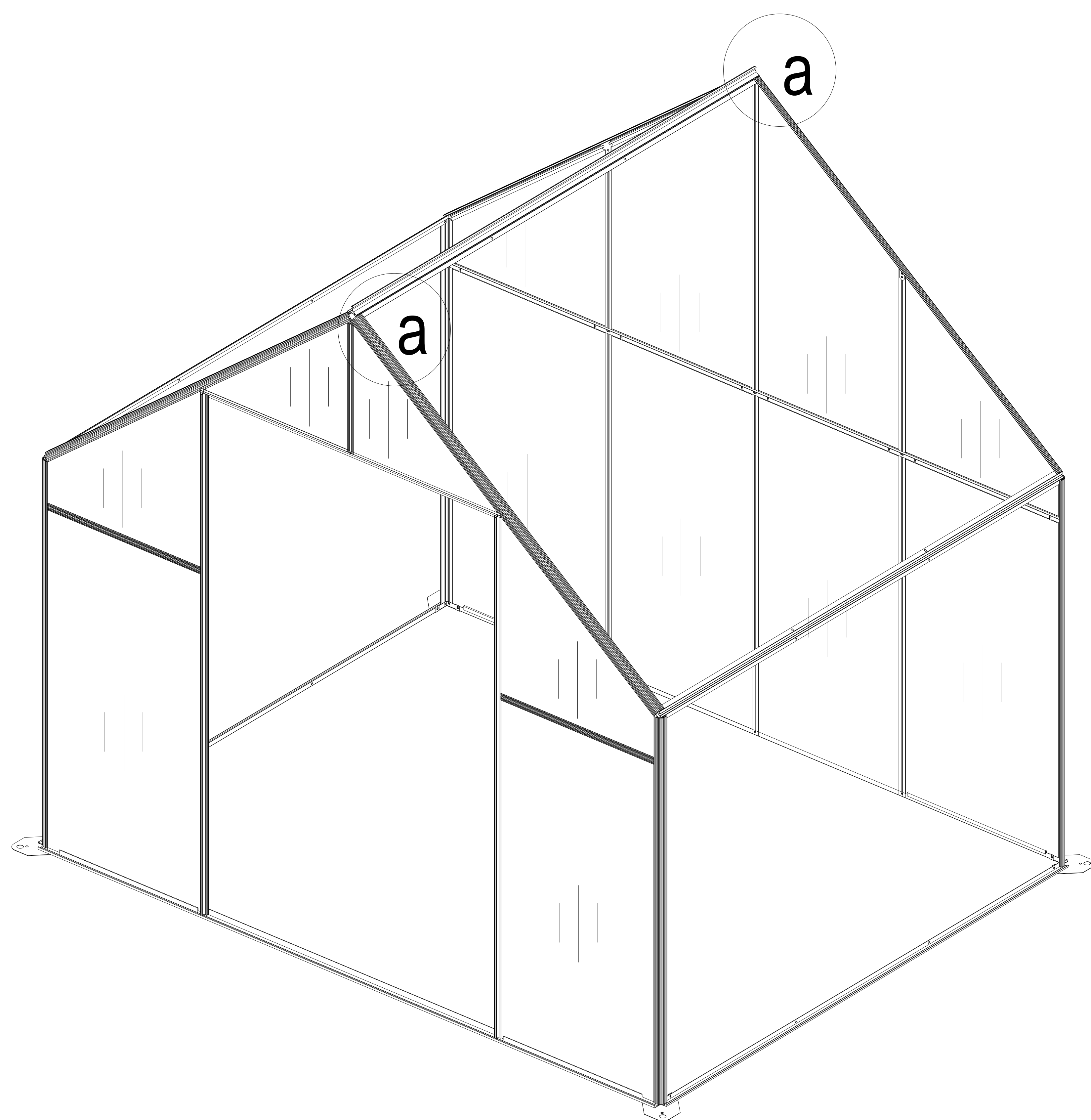
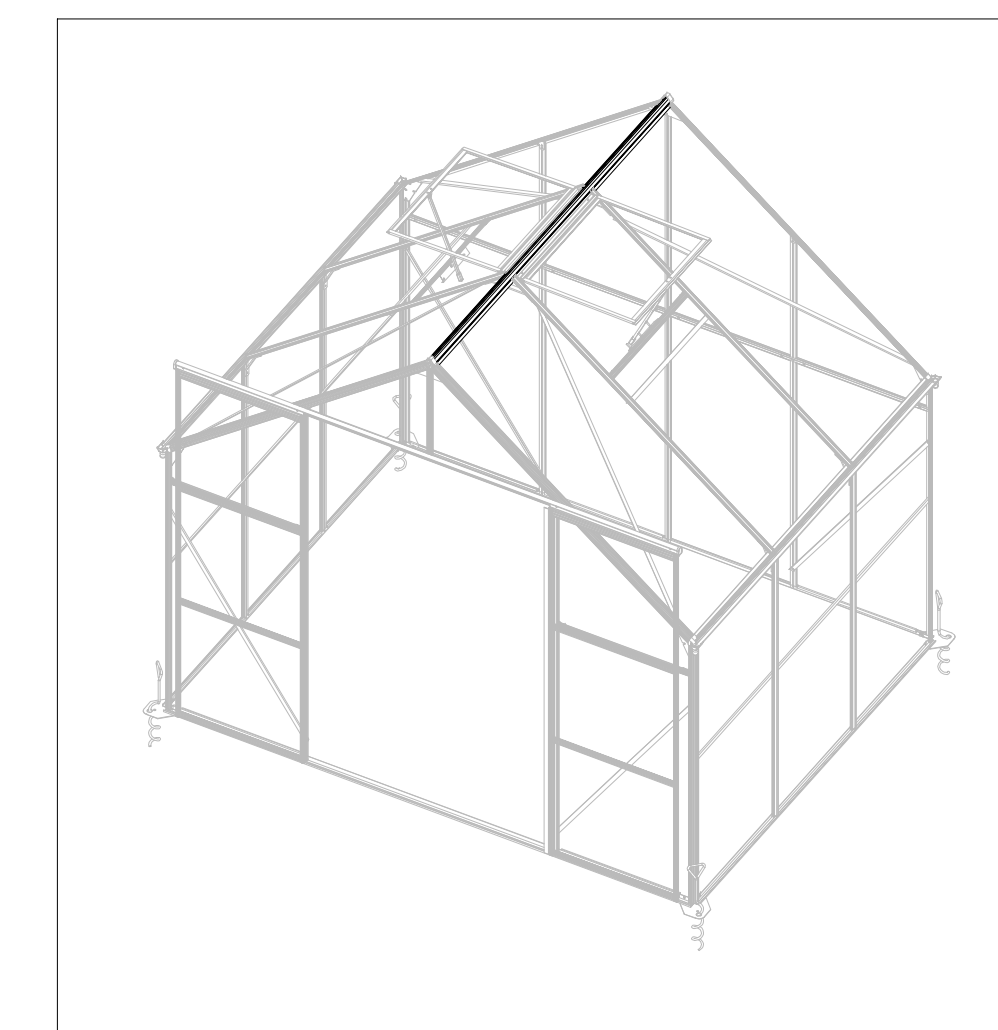
6x4

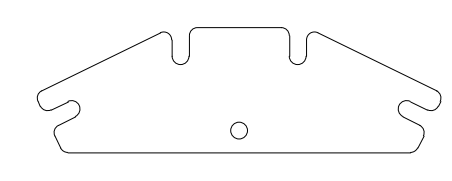


1x1

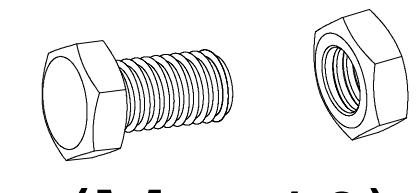


(M5x10)
F4x10

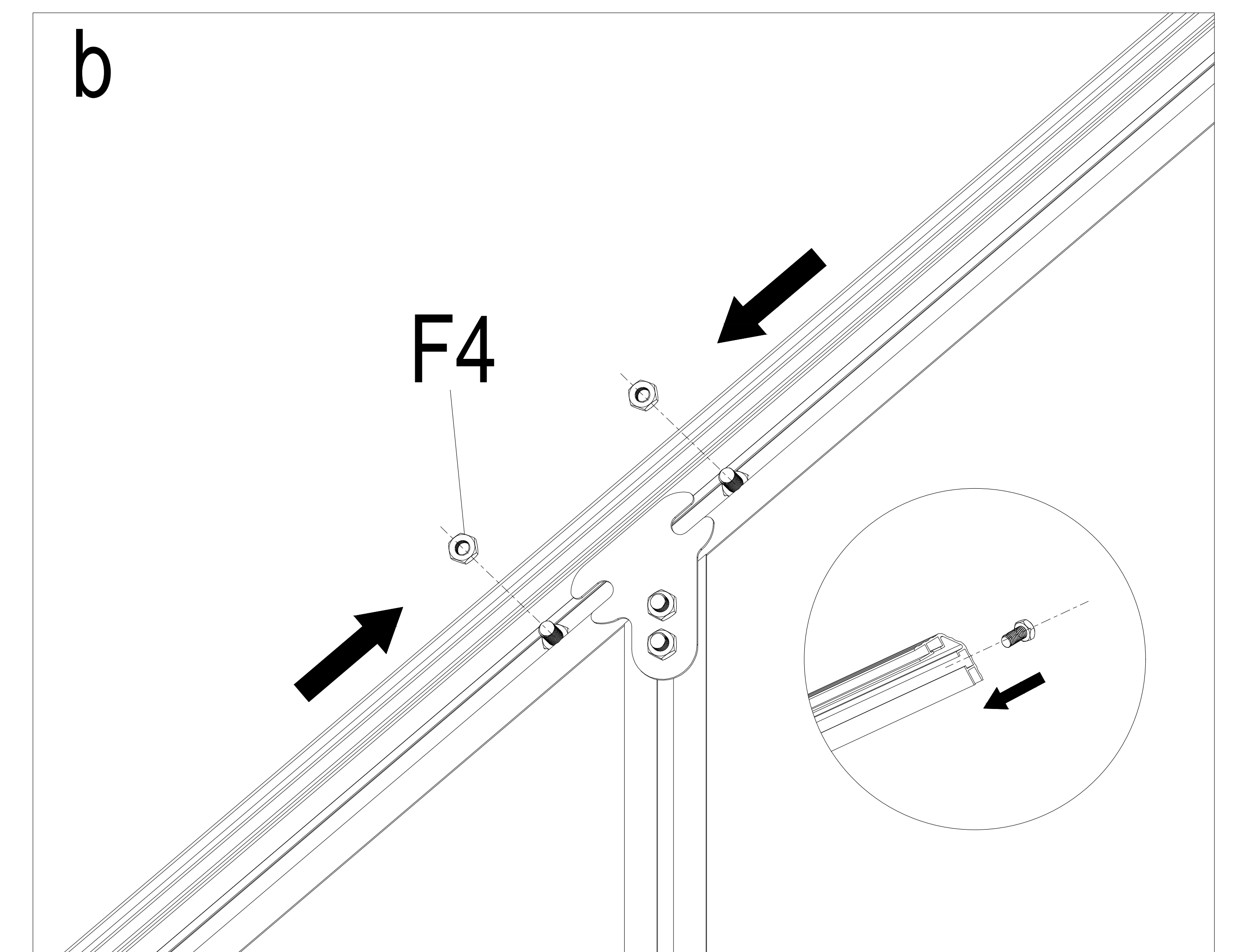
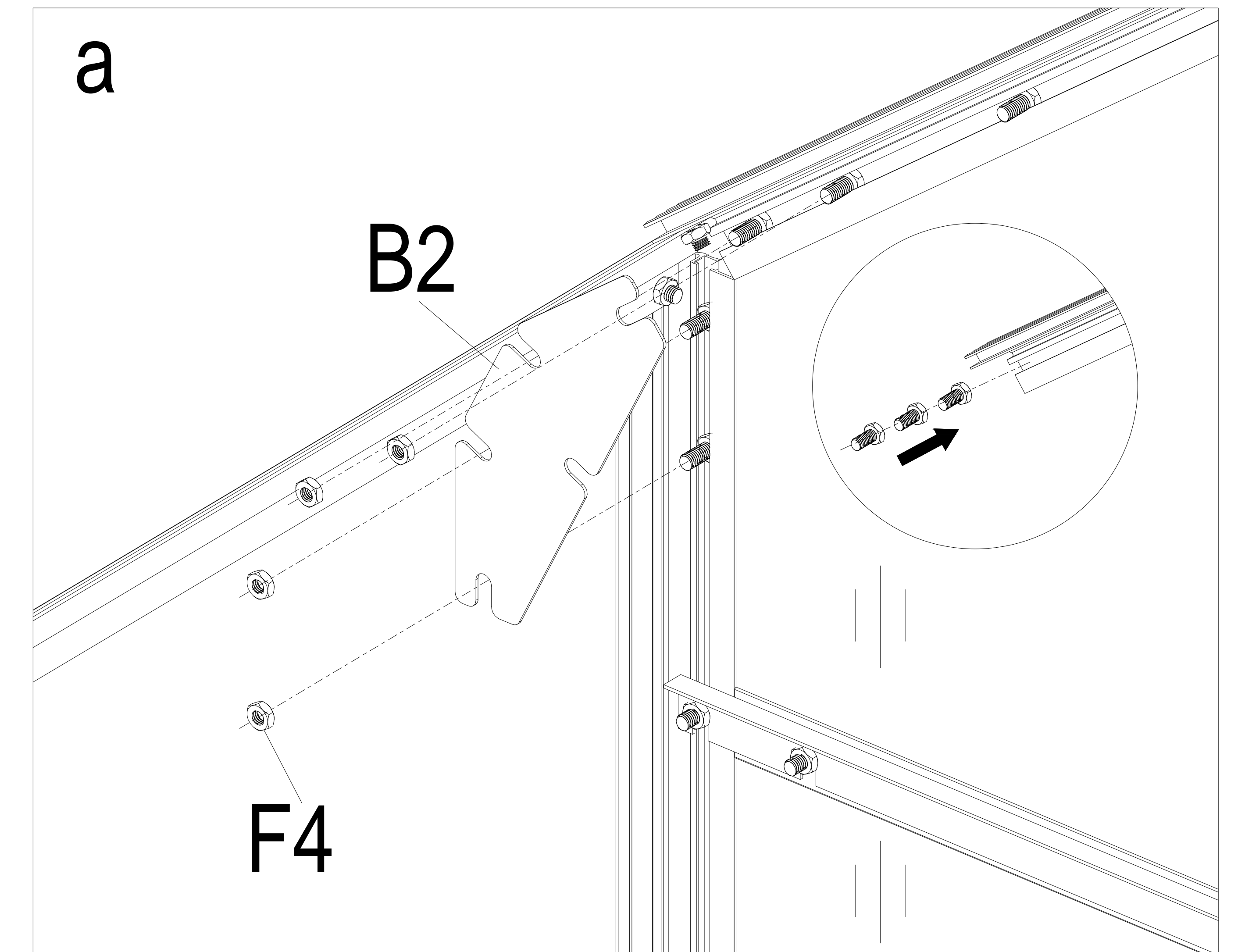
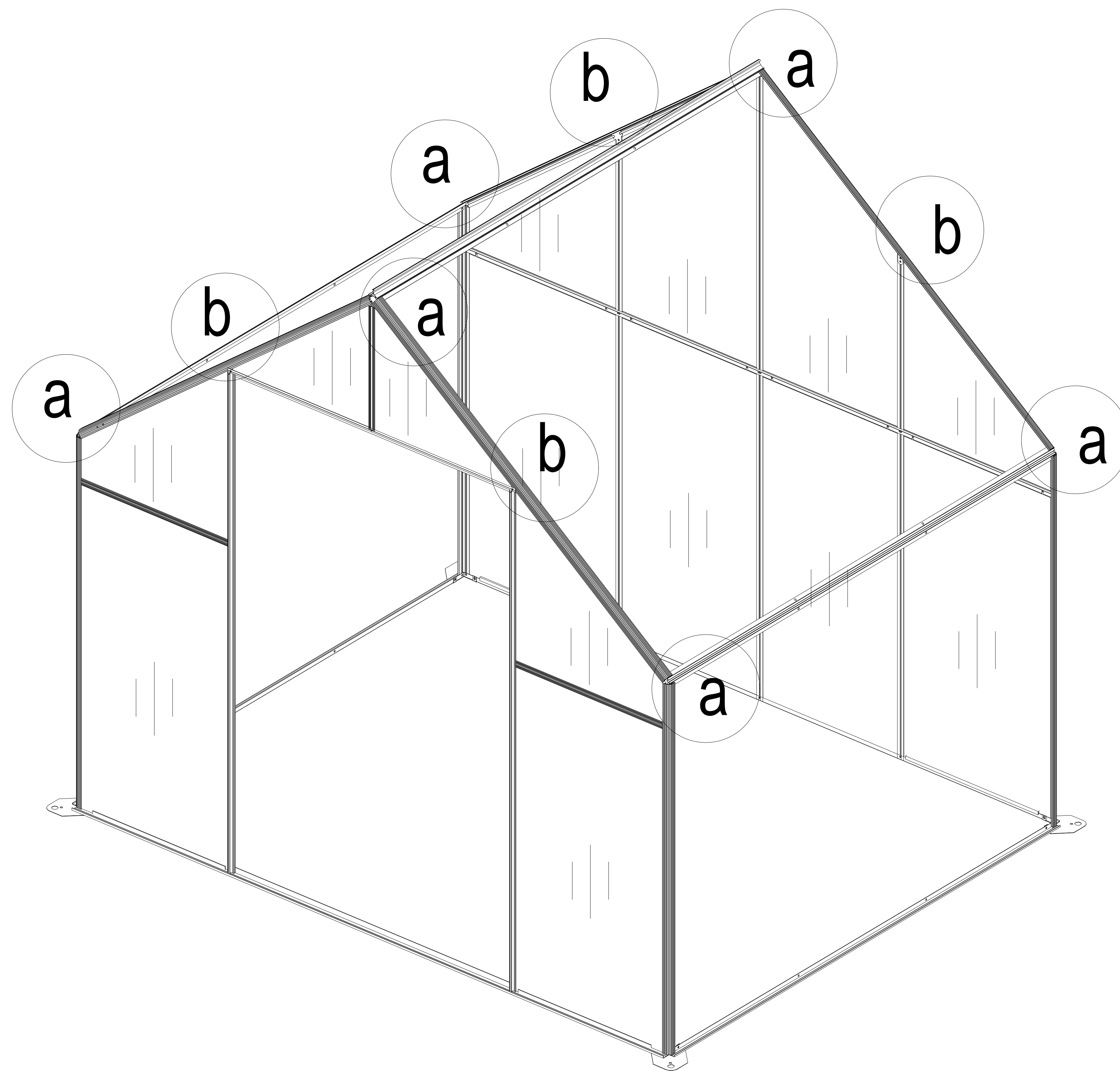
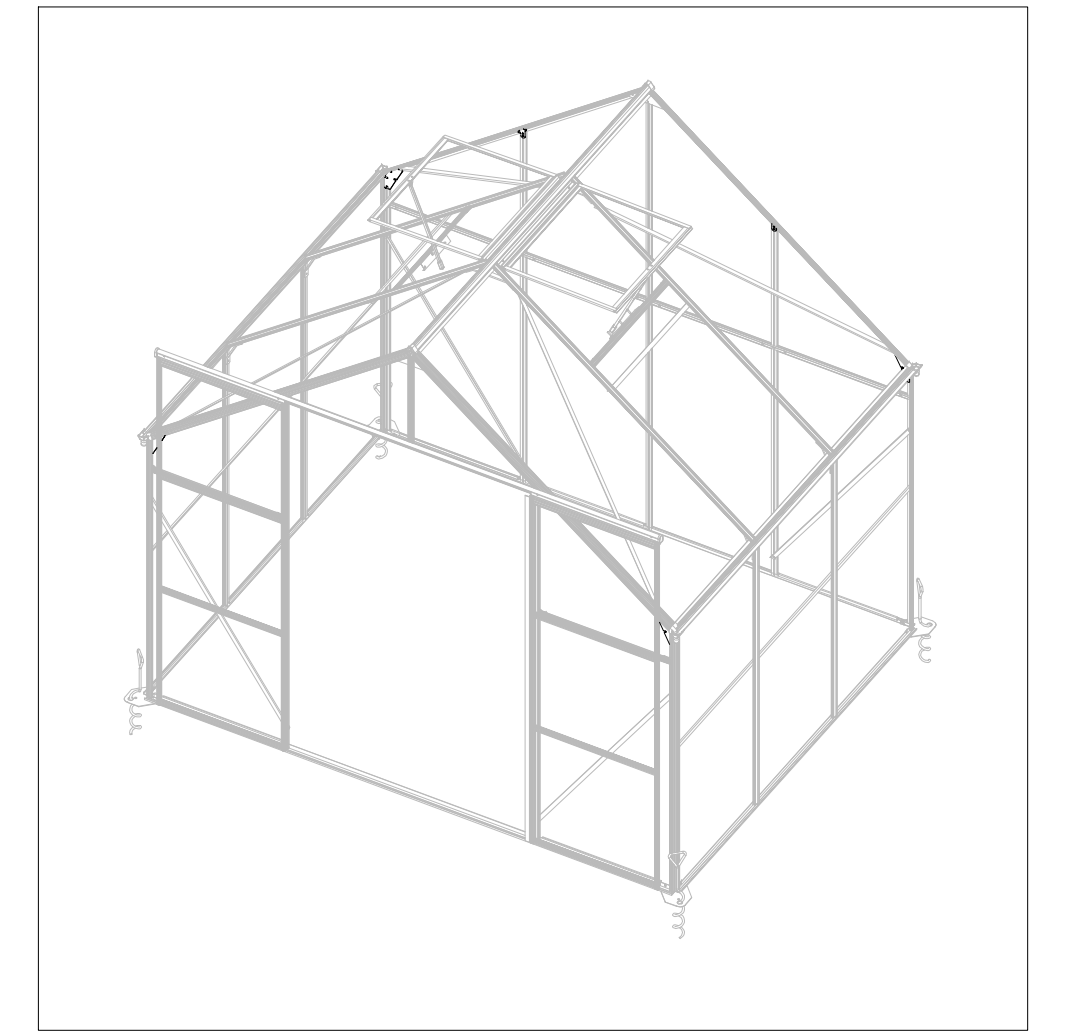




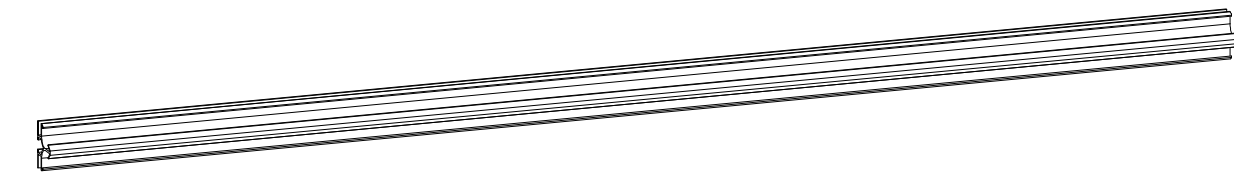
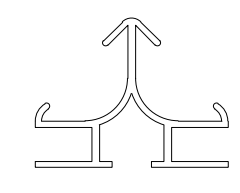
B2x4



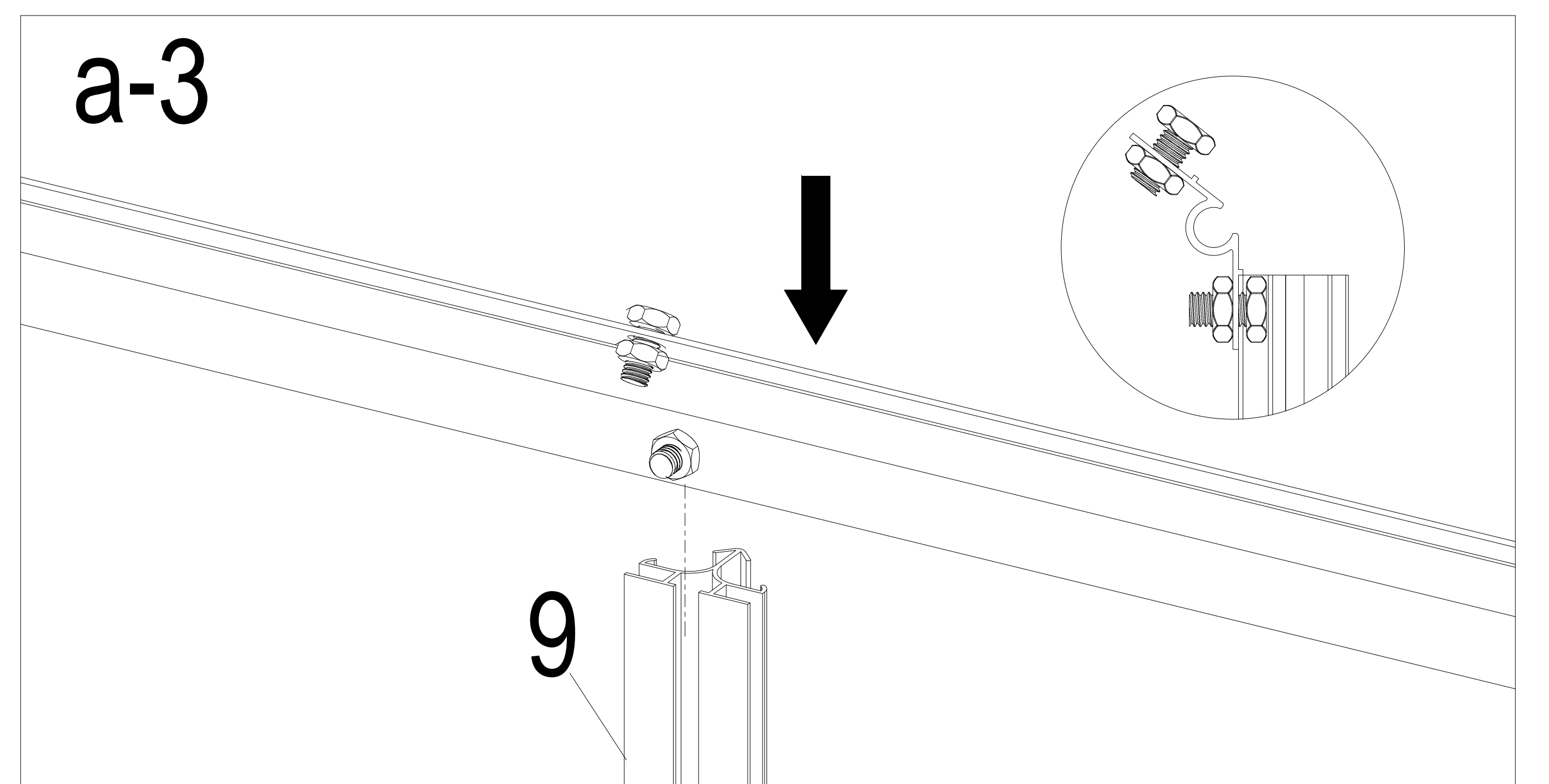
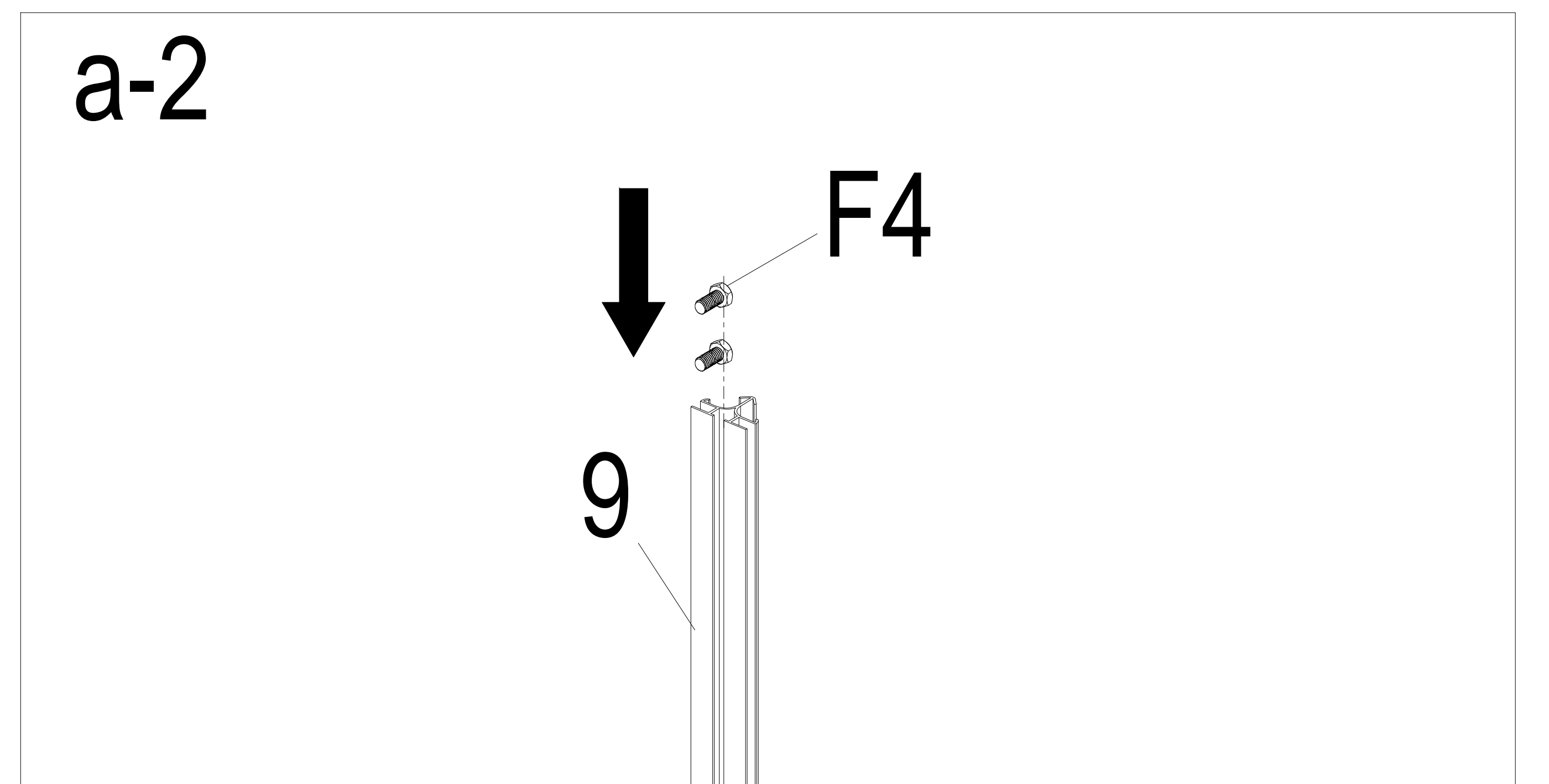
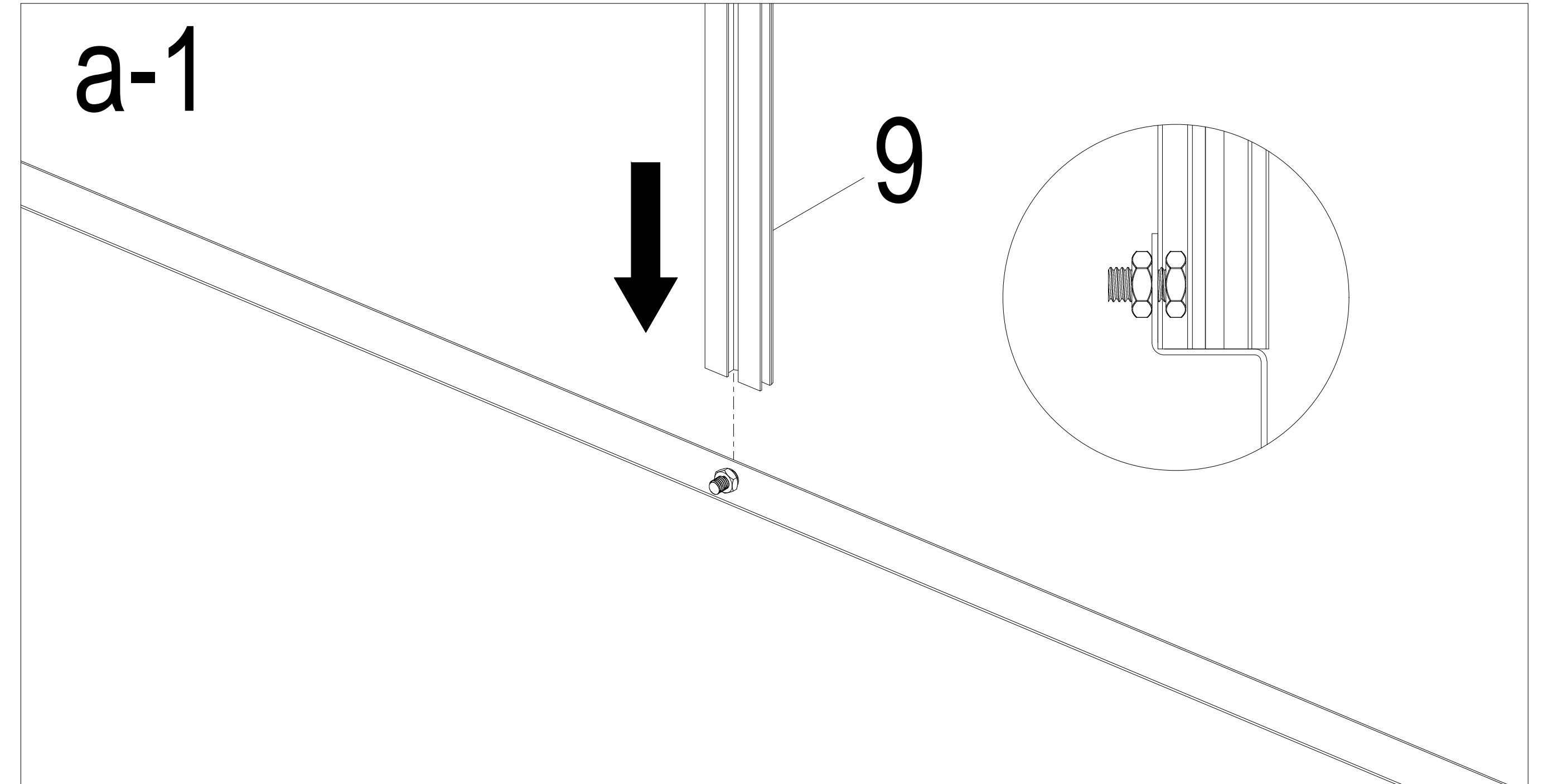
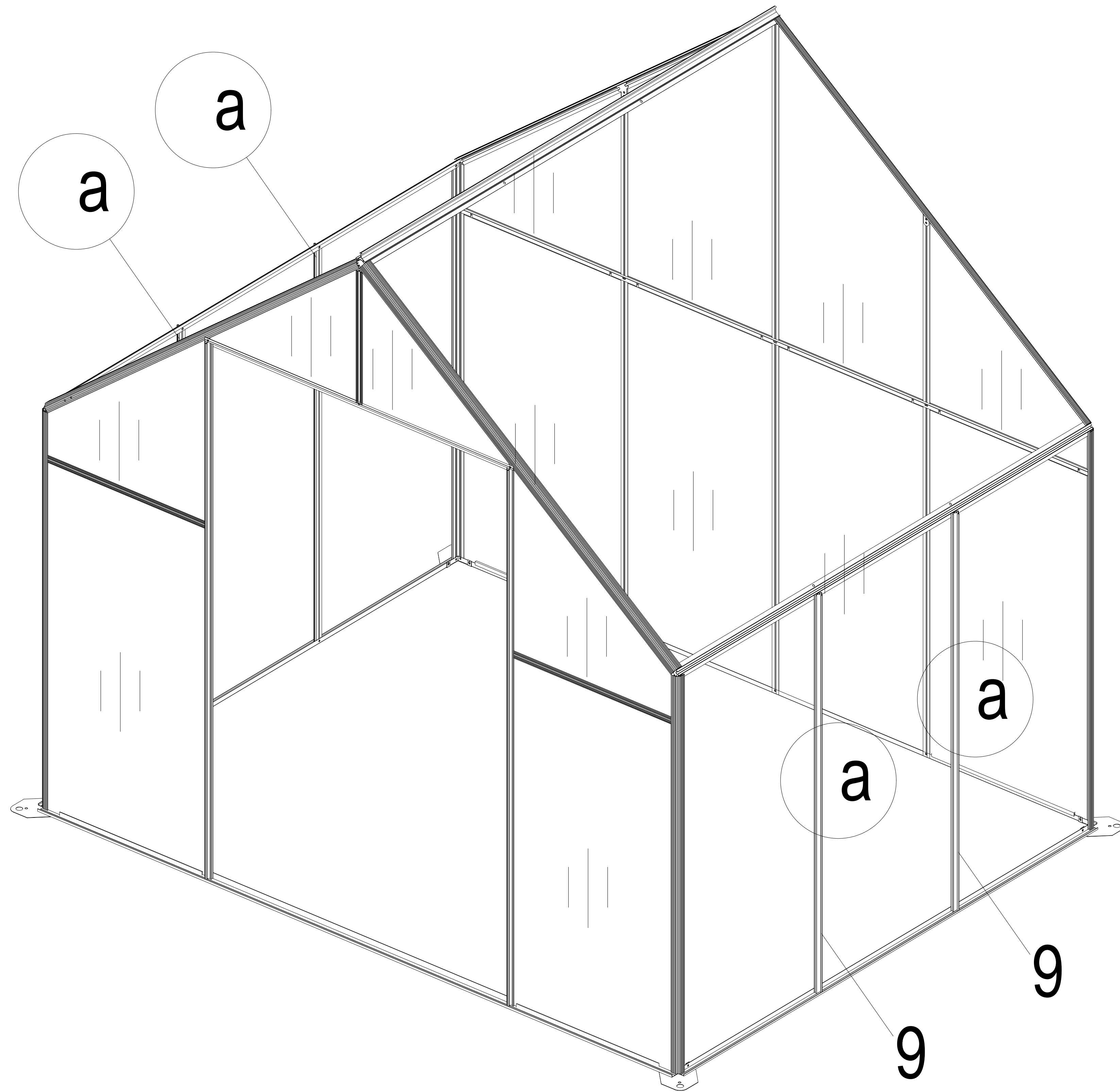
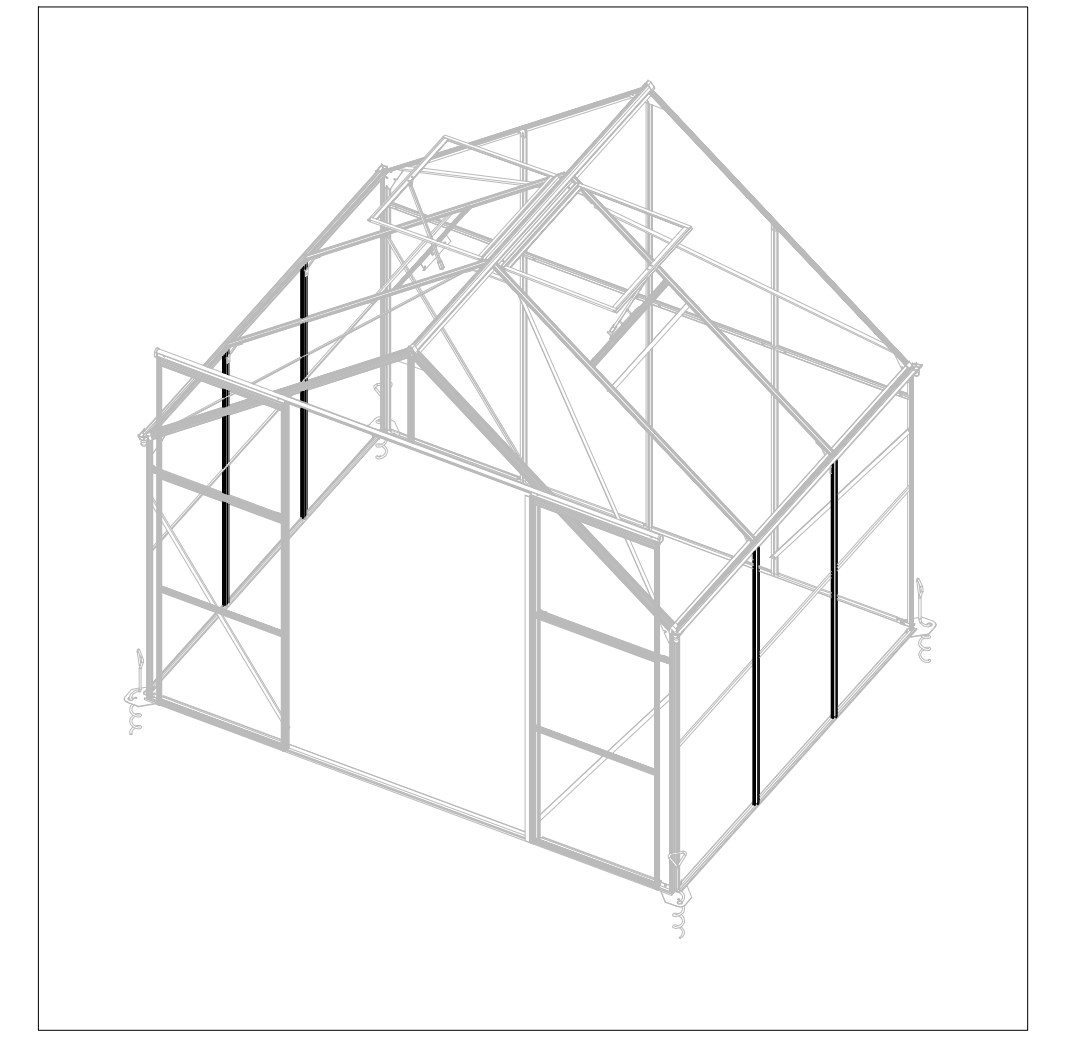
(M5x10)
F4x16



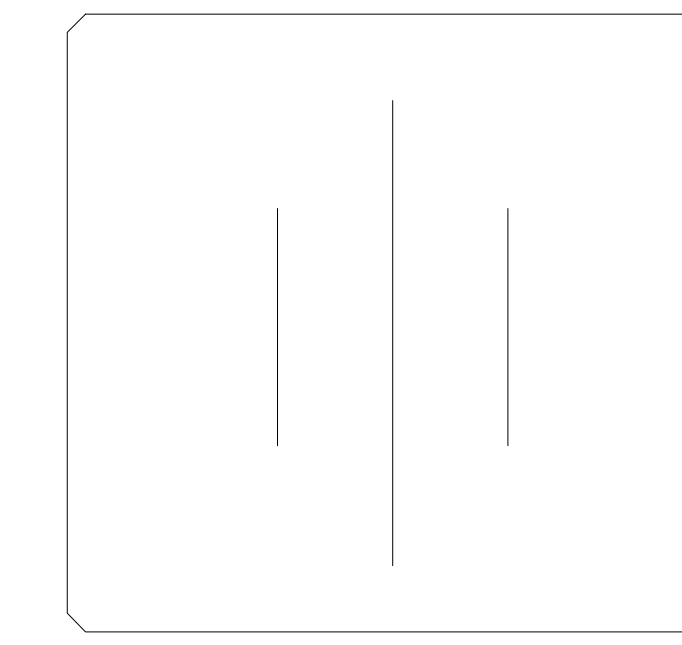
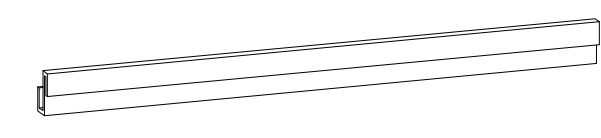
9x4



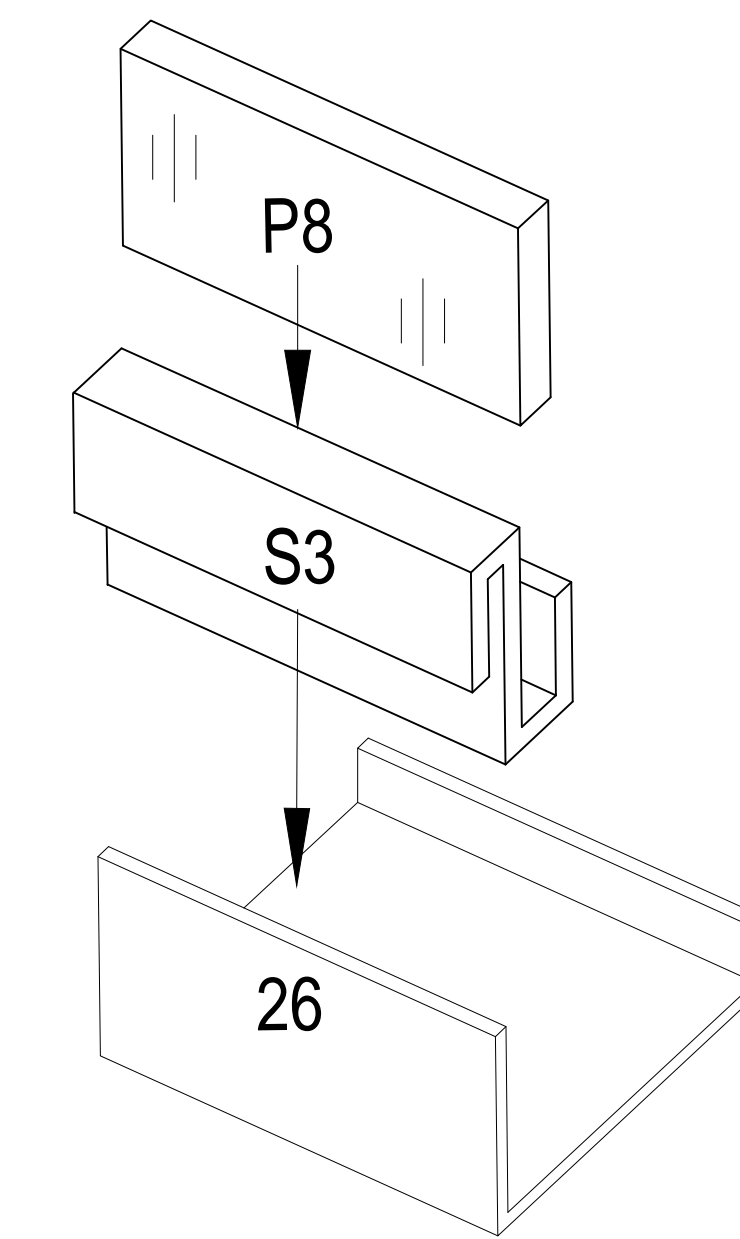
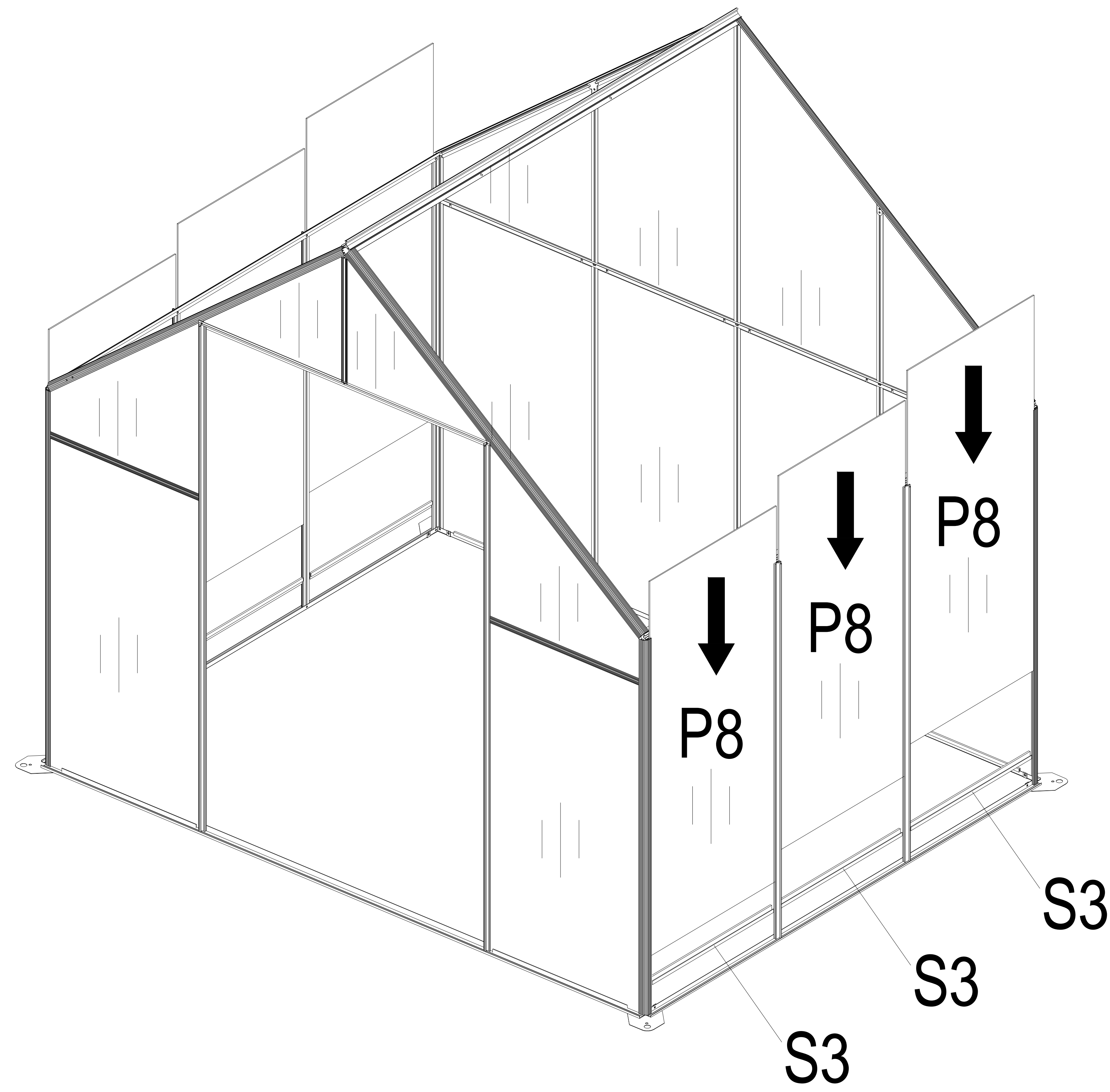
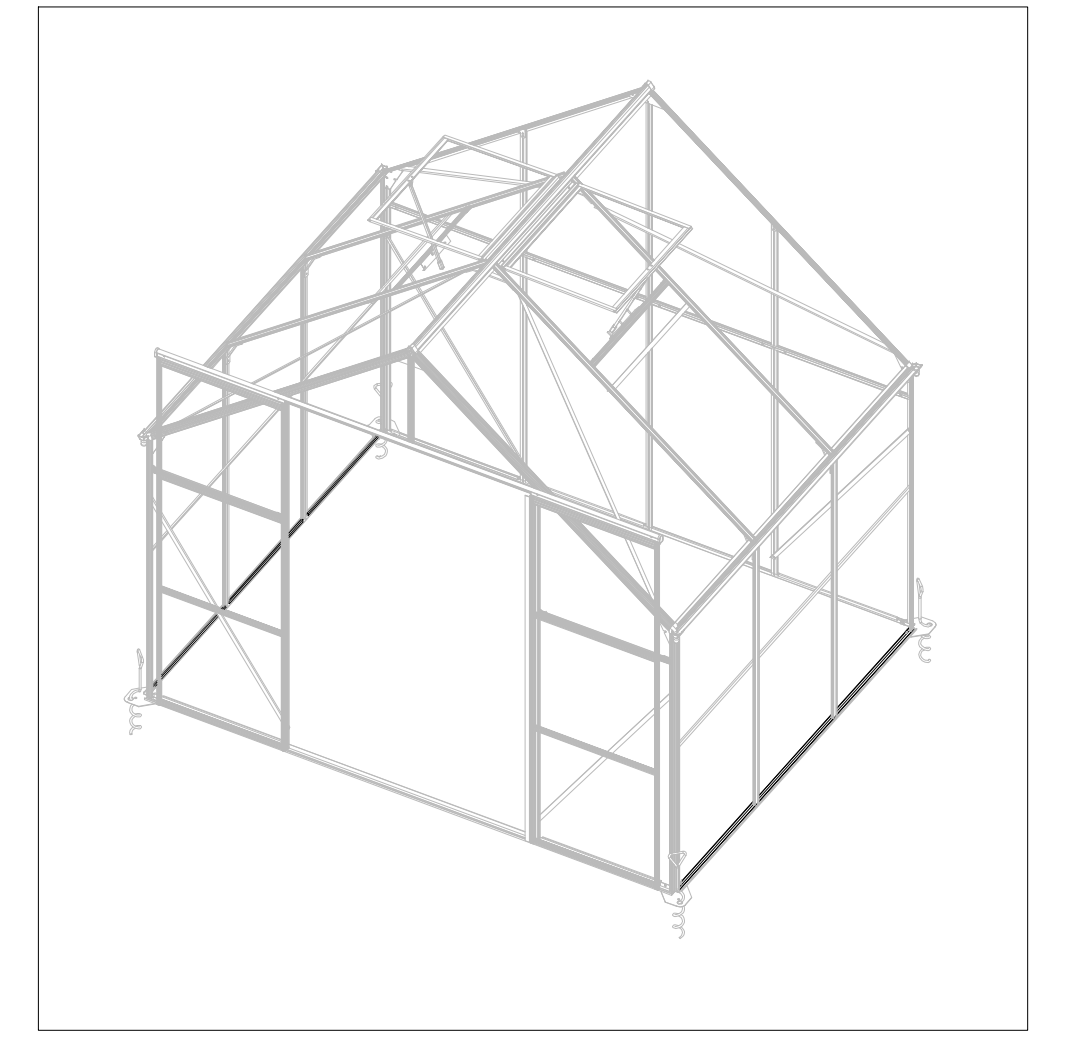
(M5x10)
F4x8



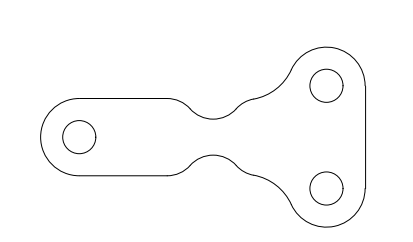
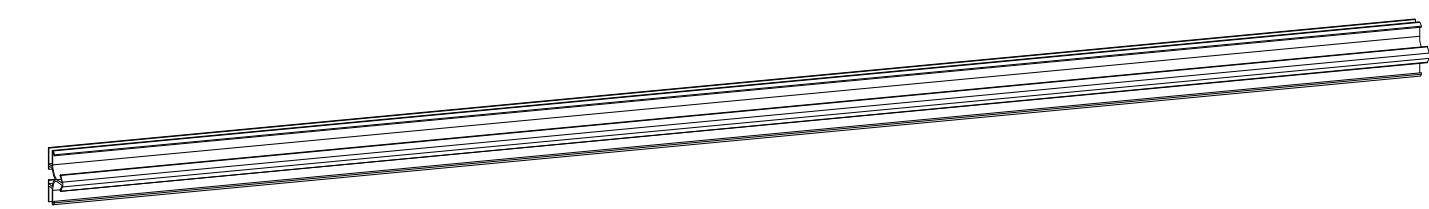
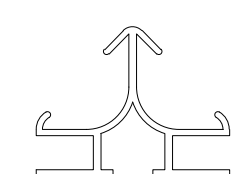
S3x8



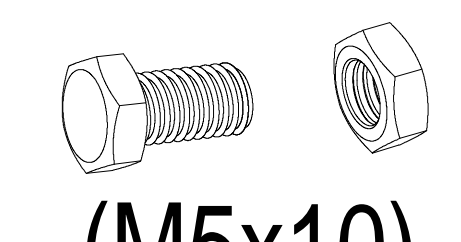
P8x8



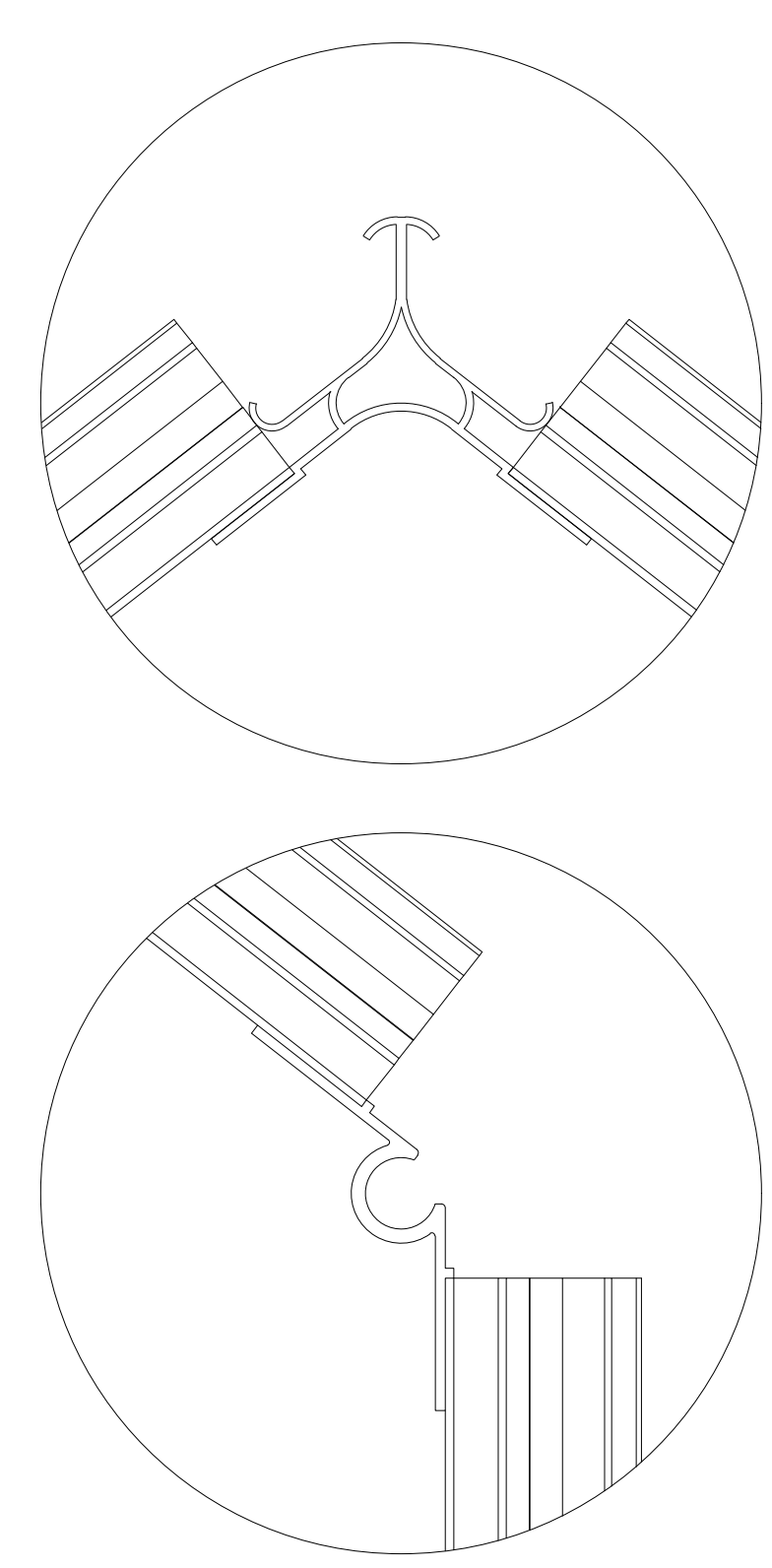
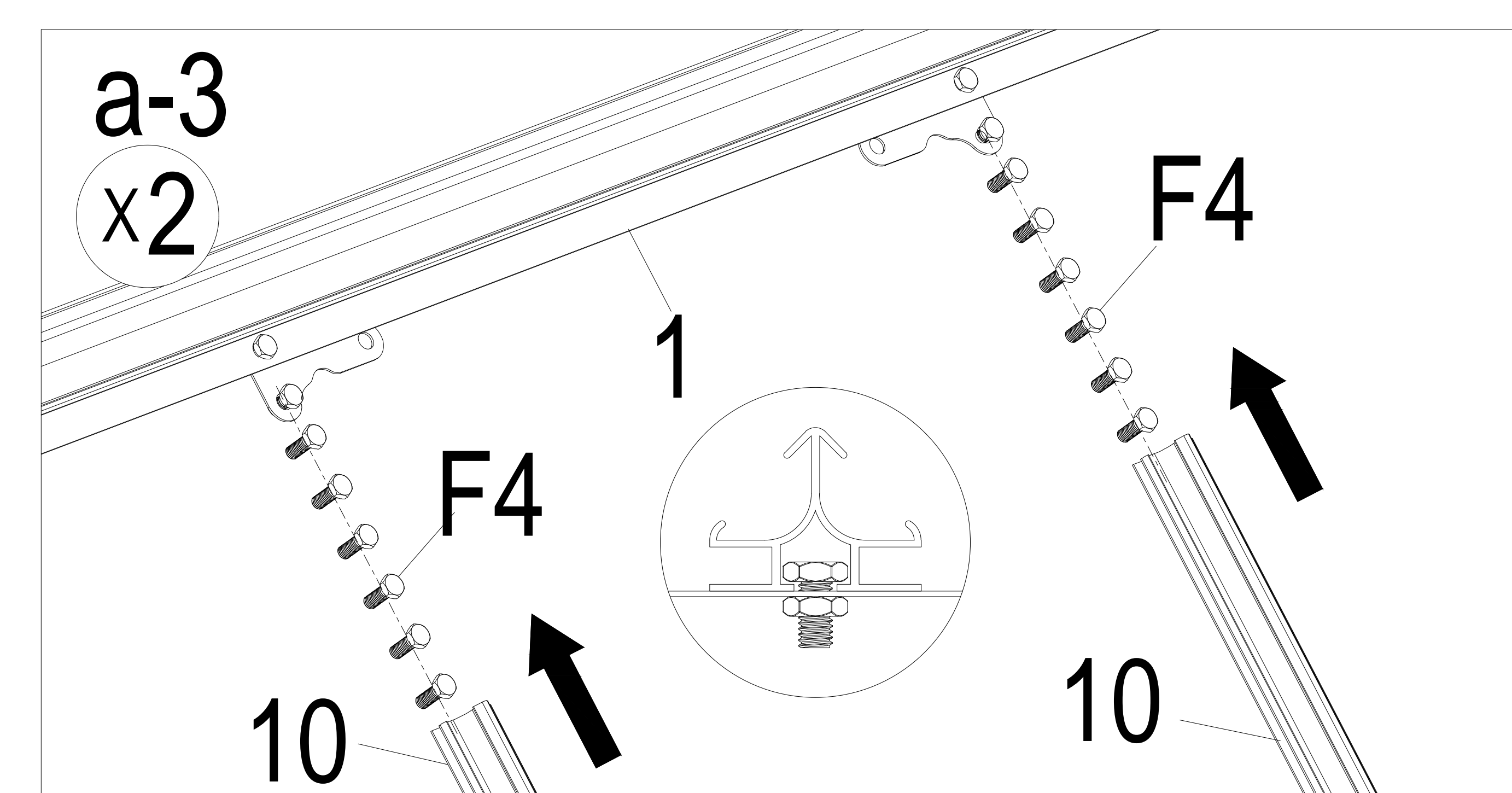
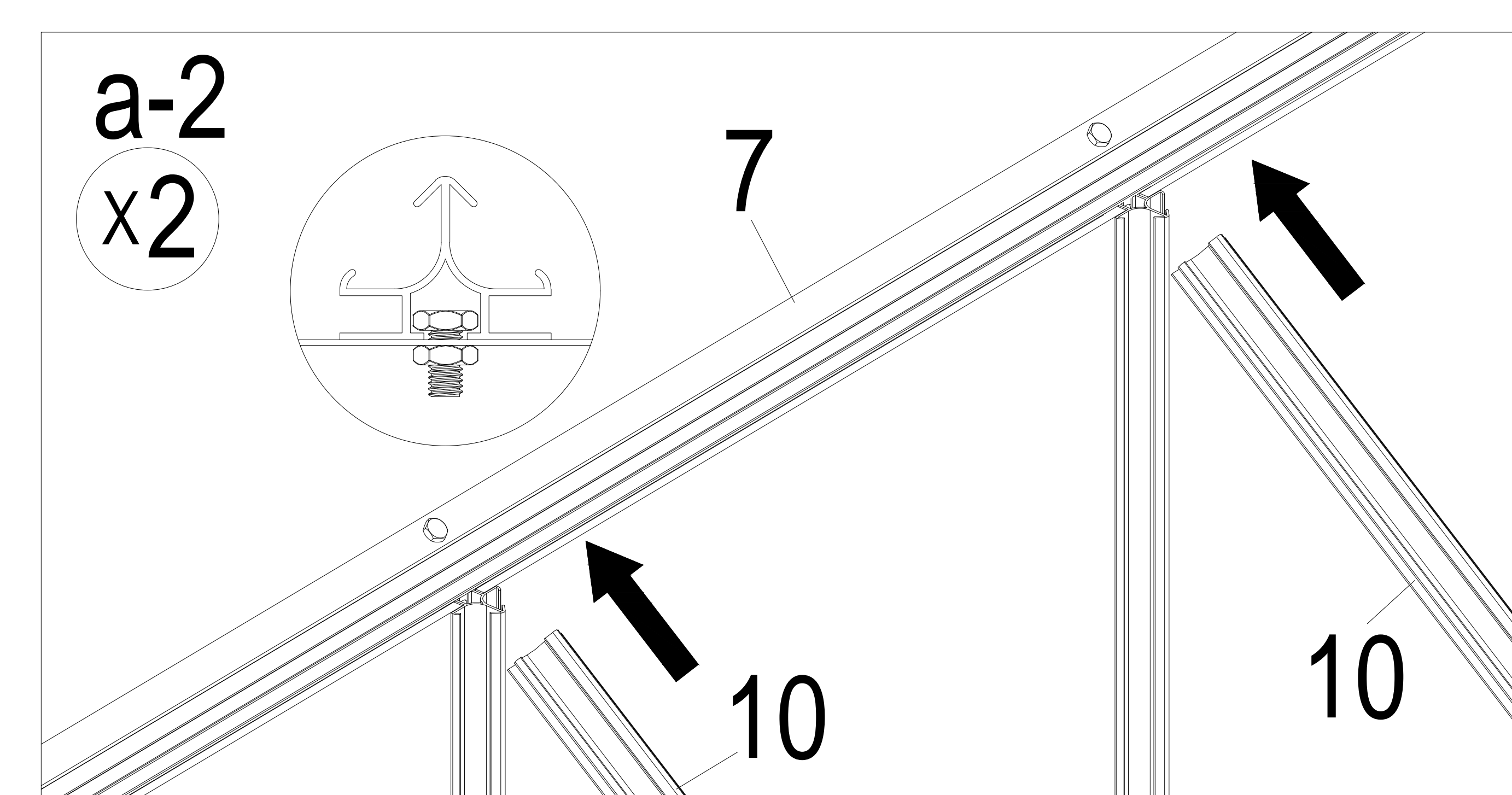
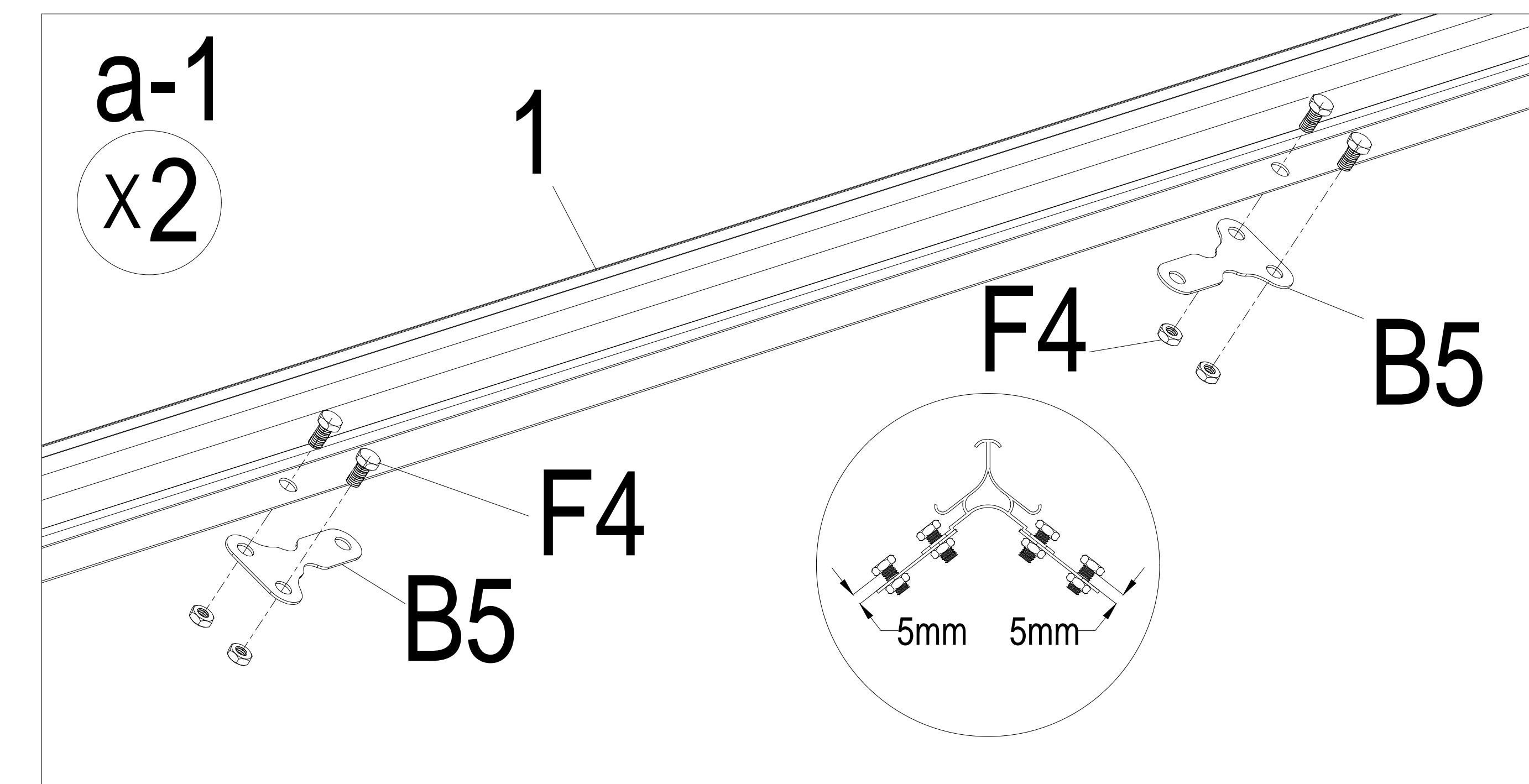
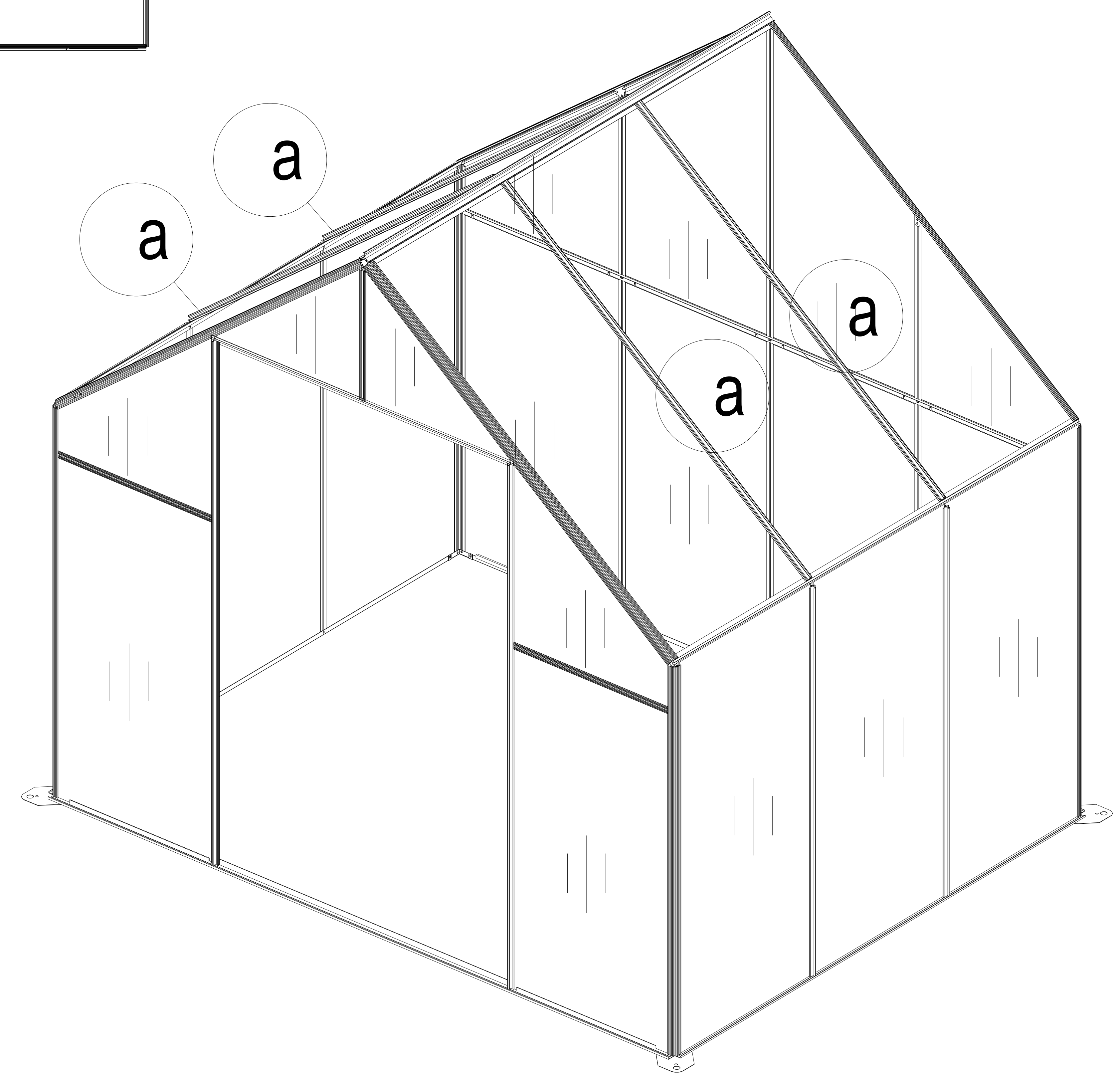
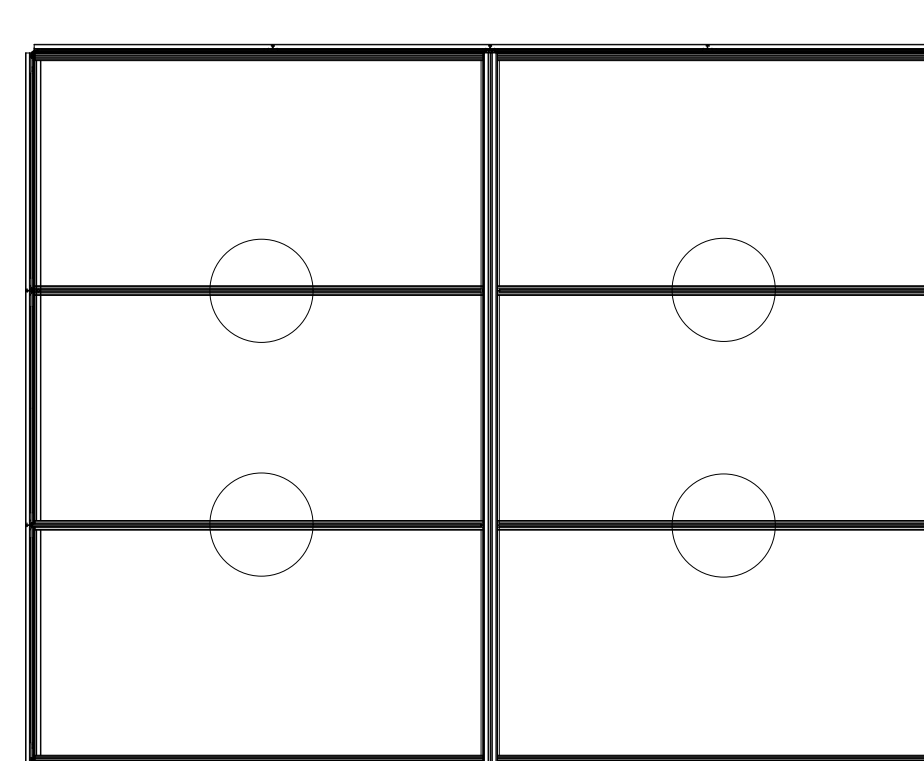
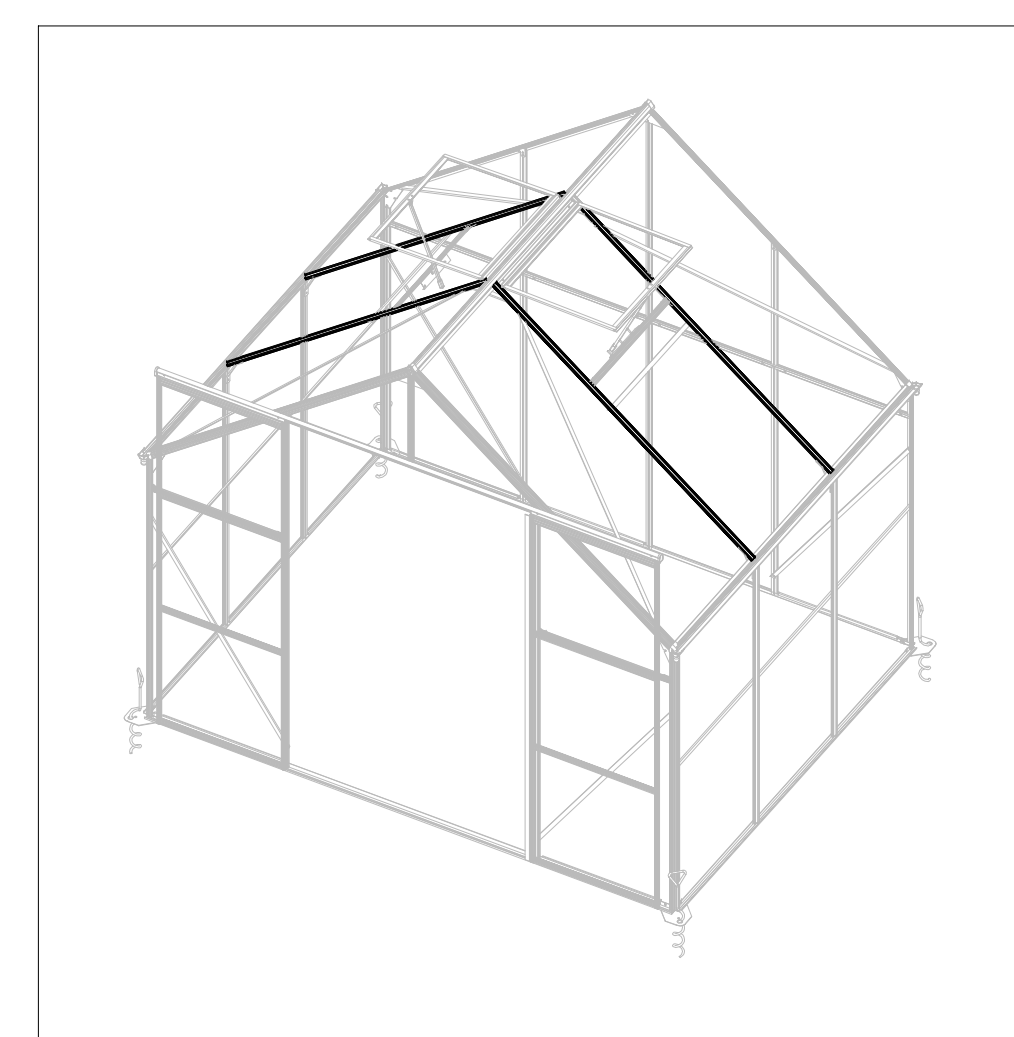
10x4

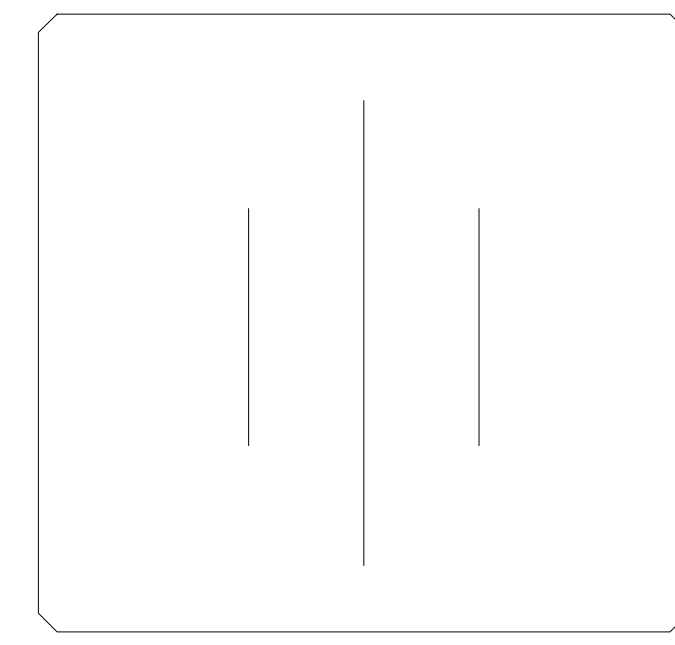


B5x4

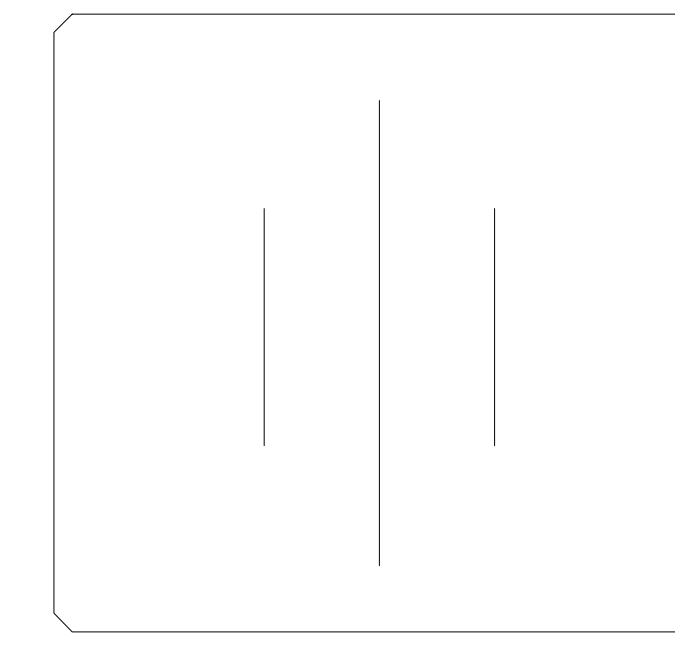


(M5x10)
F4x32

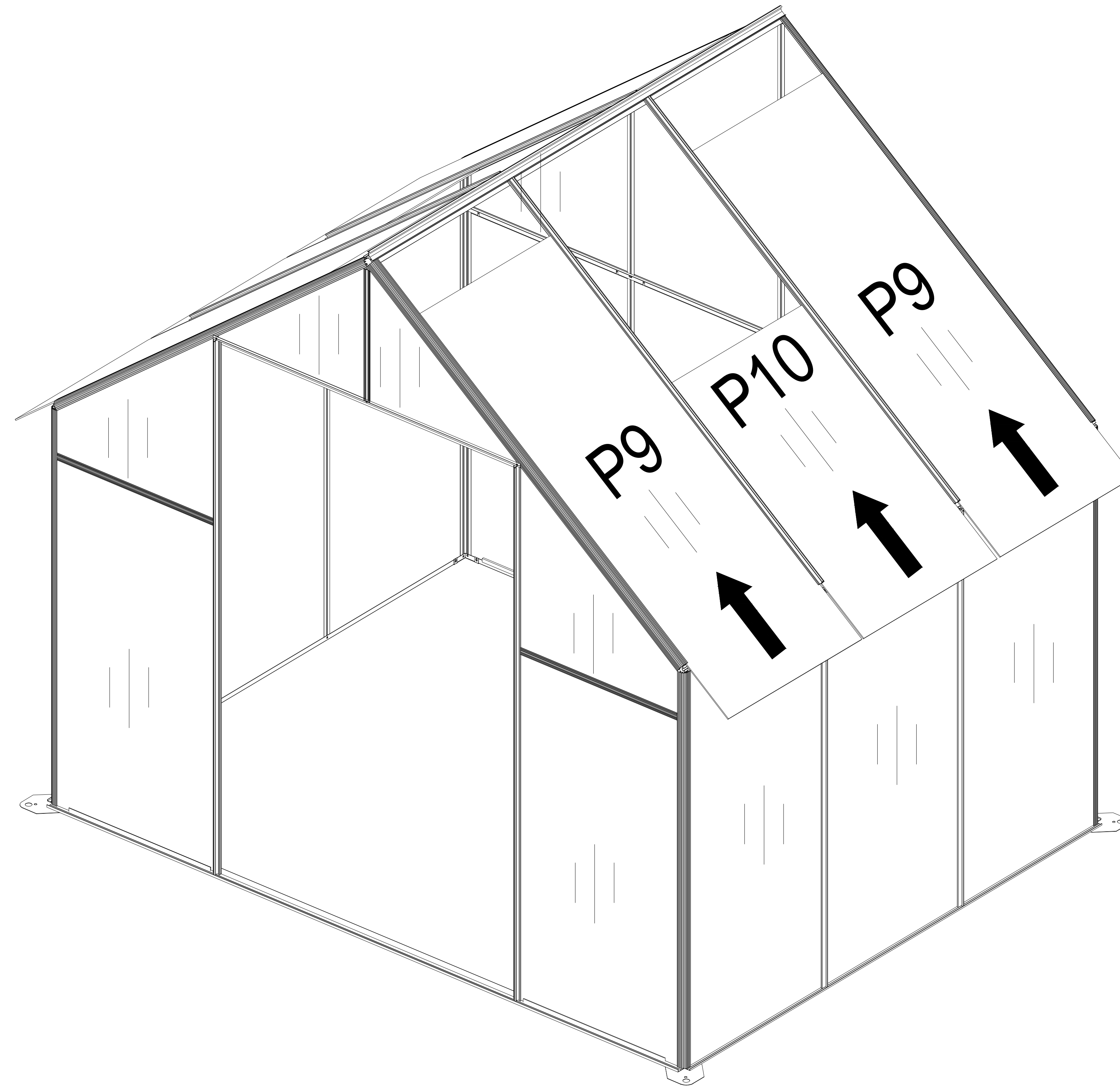
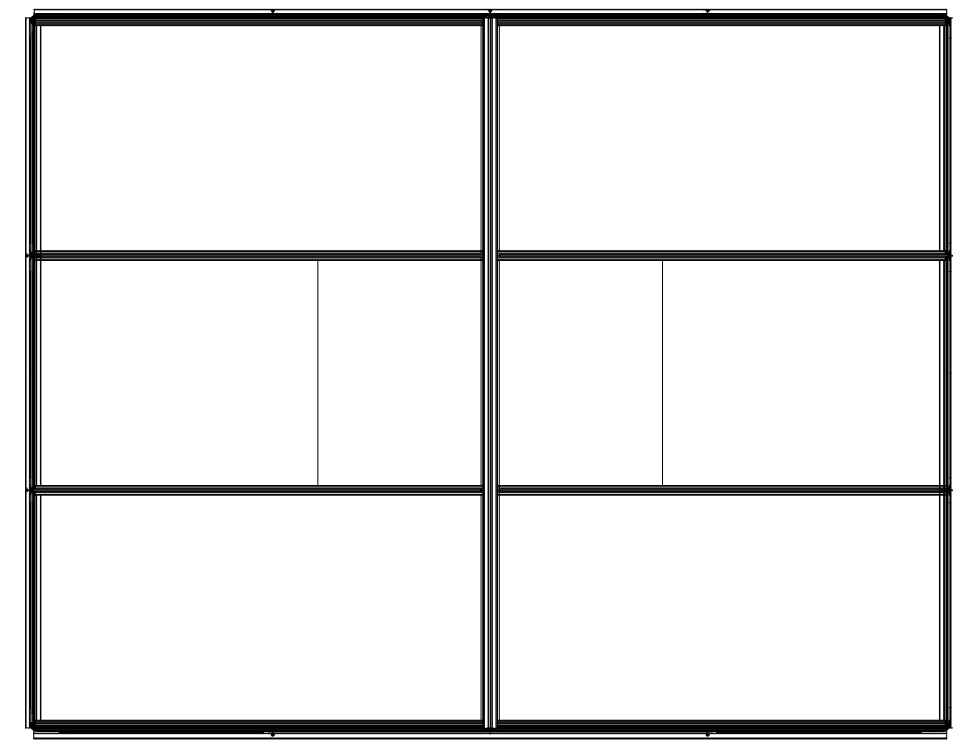
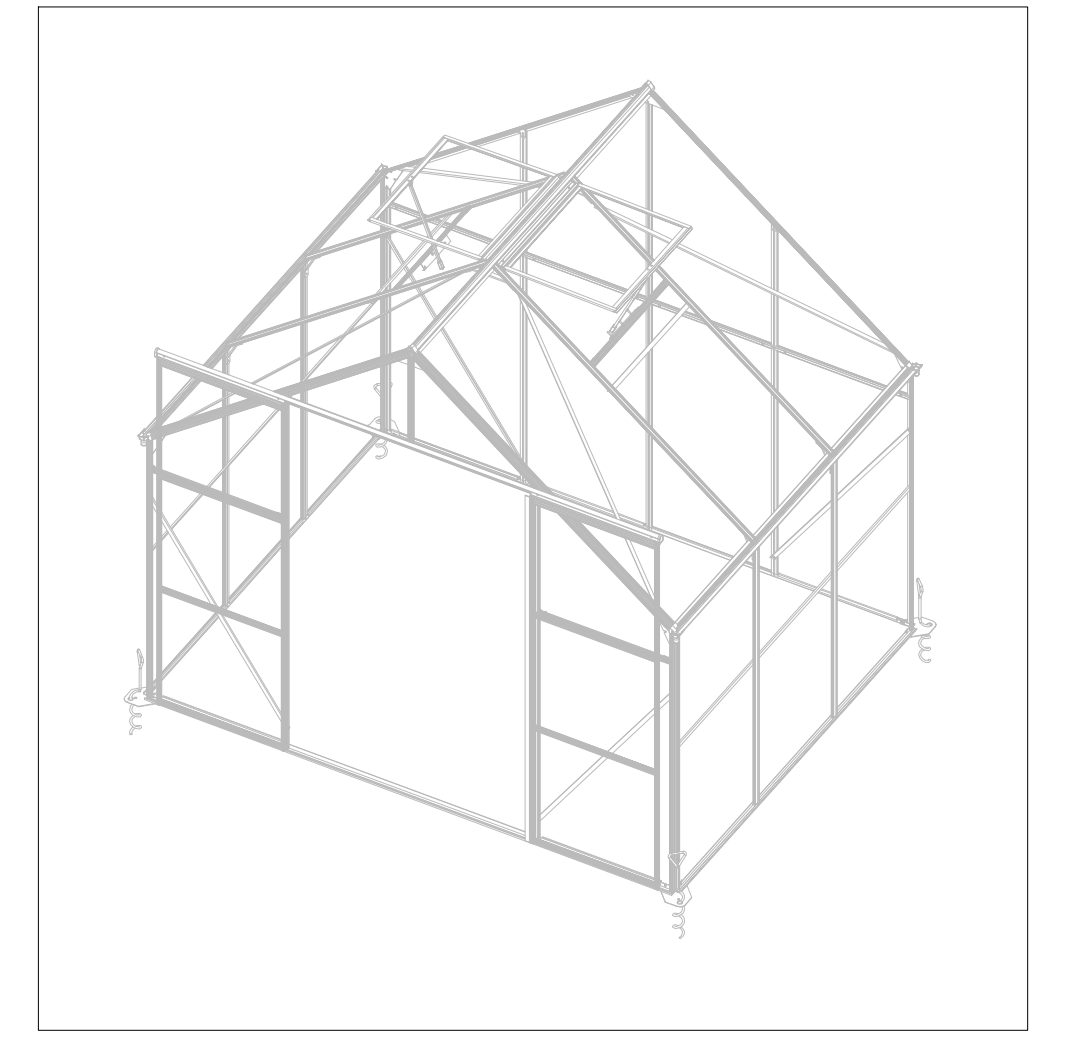




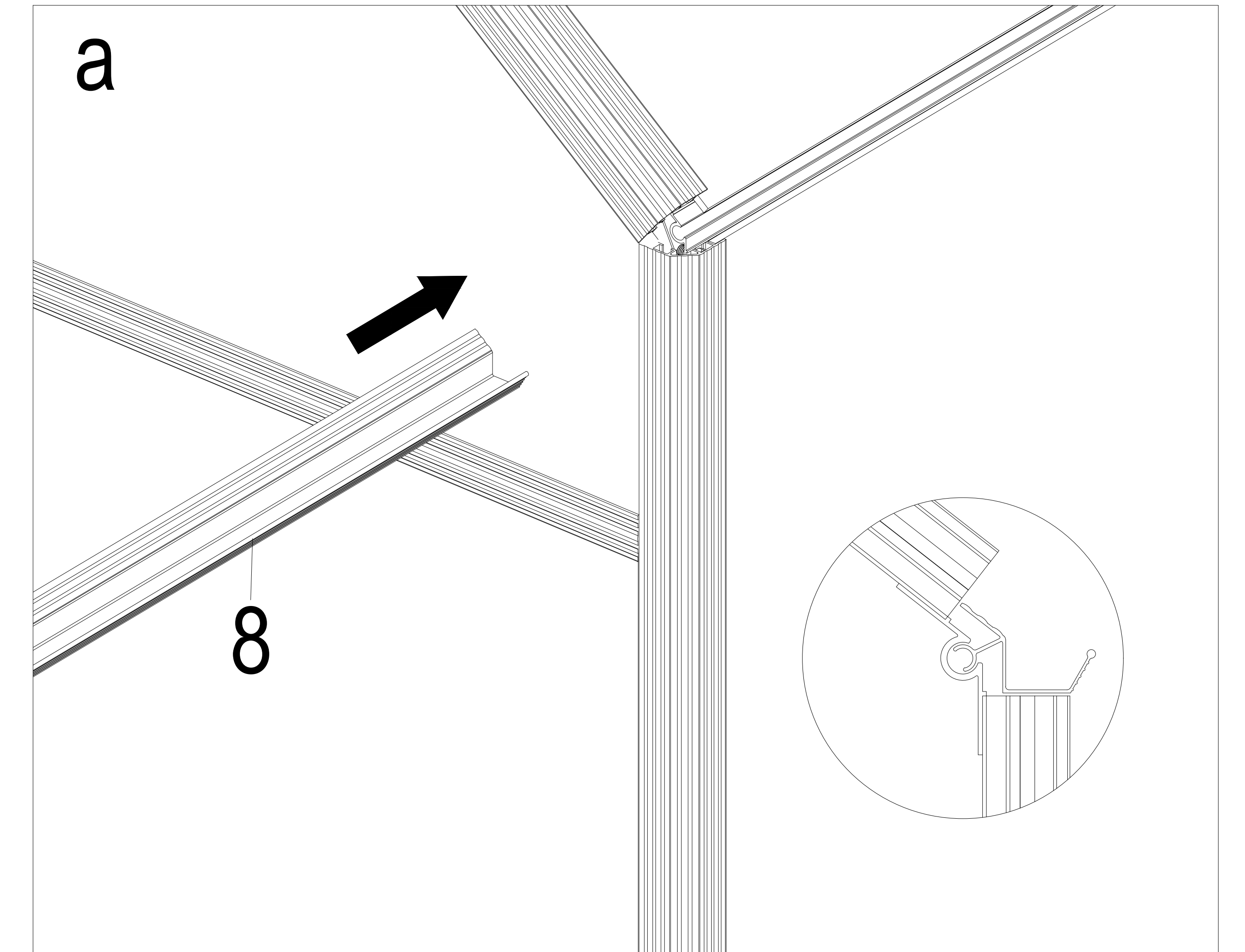
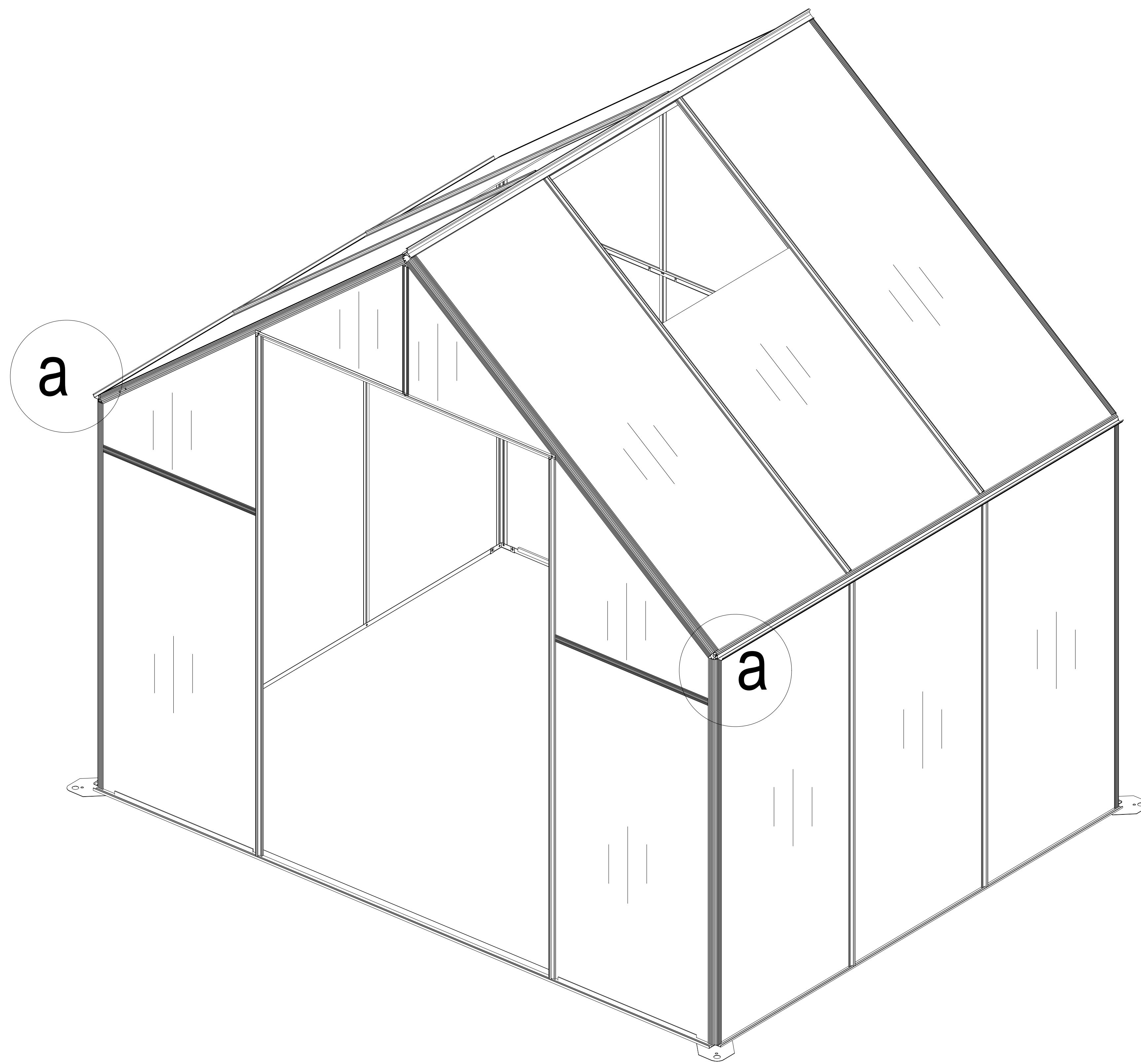
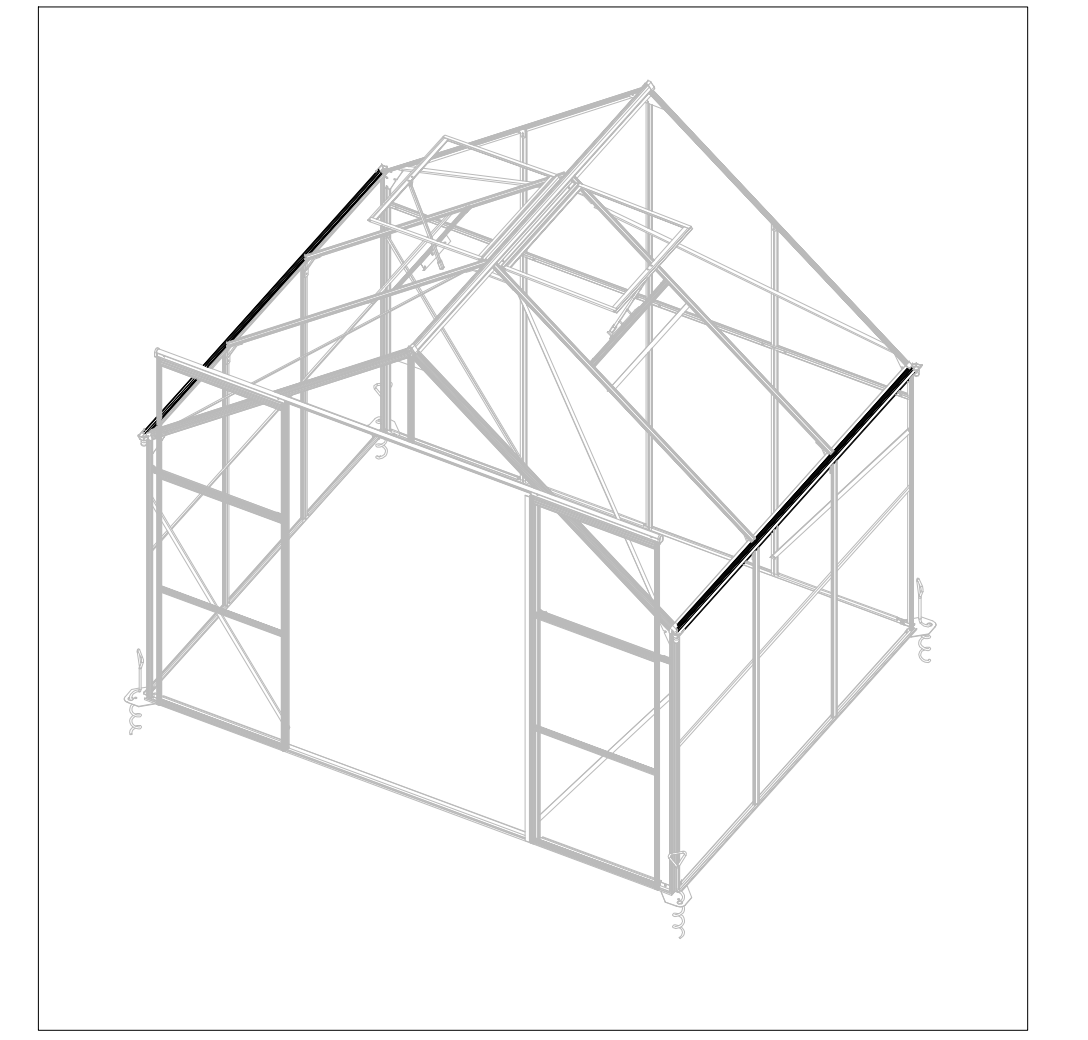
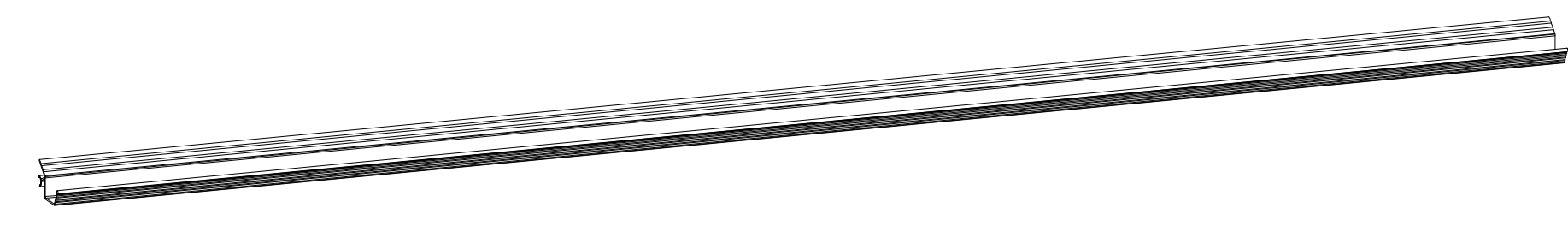
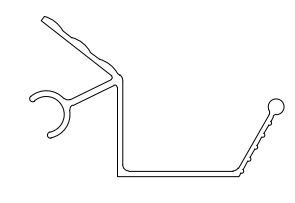
P9x4

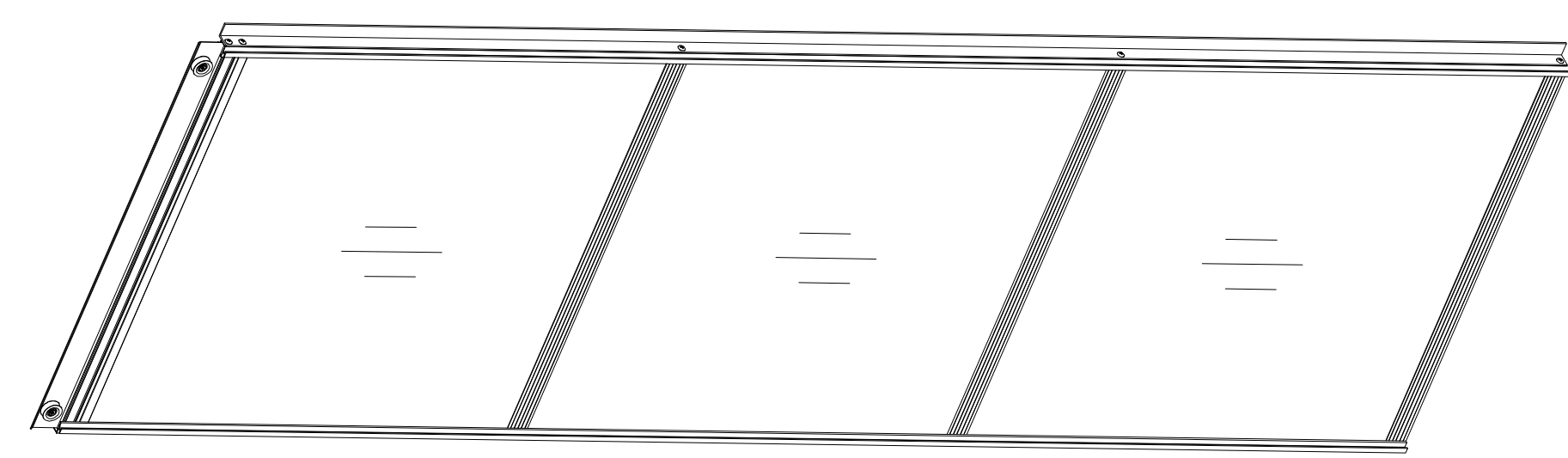


P10x2

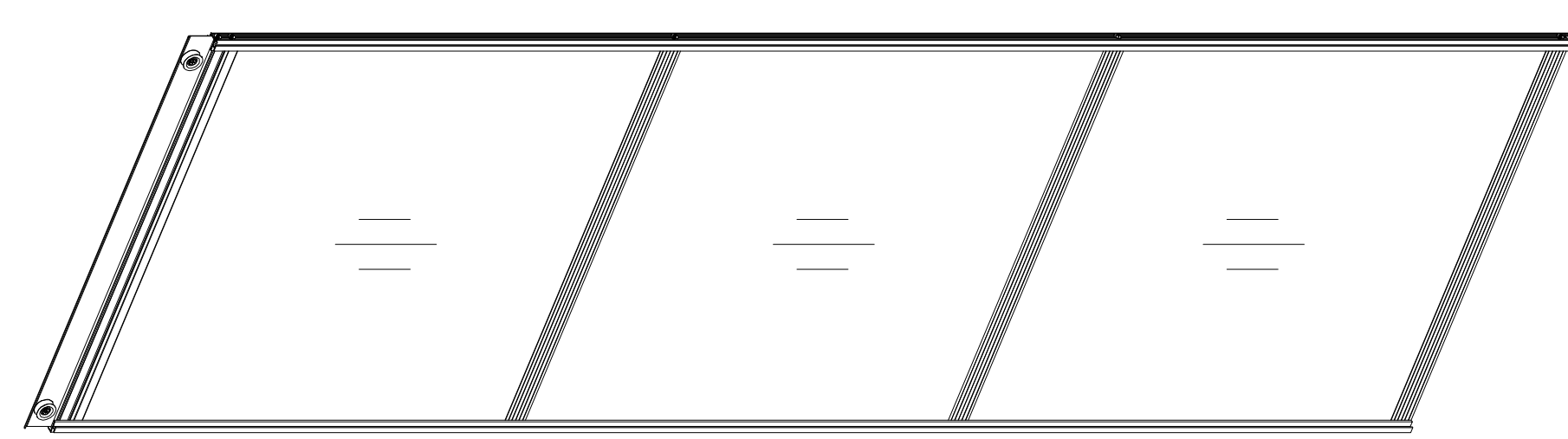


8x2



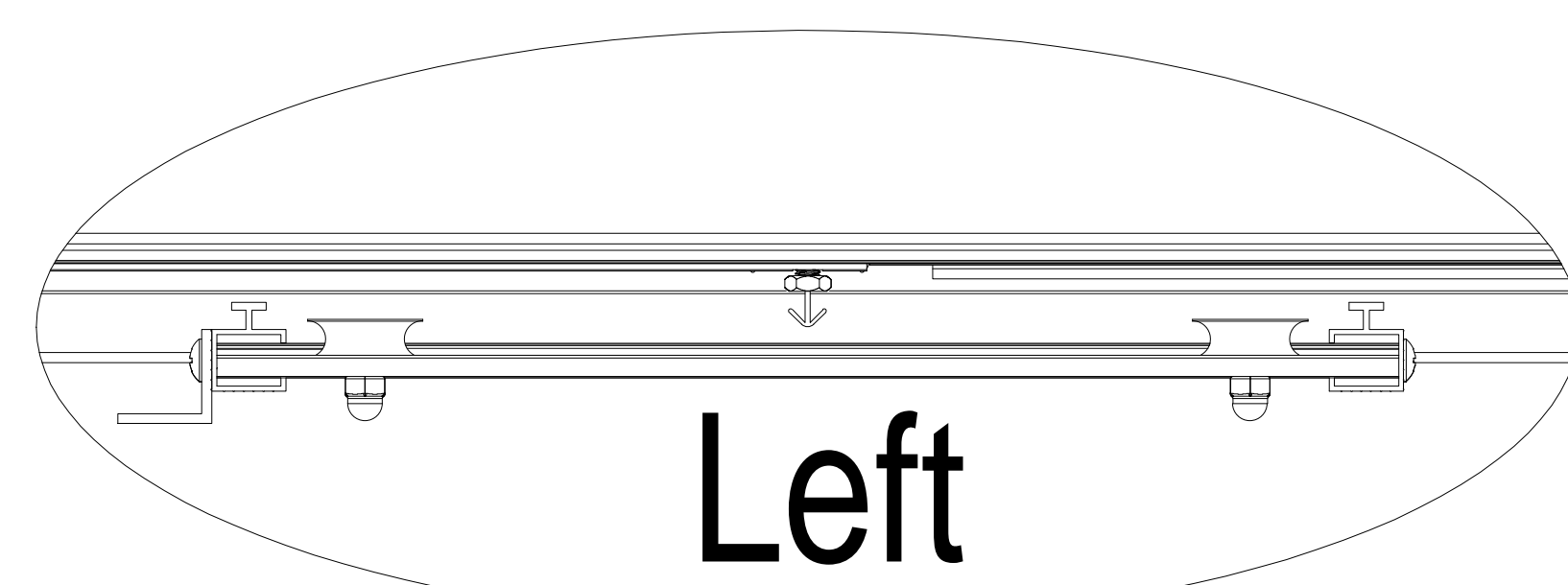
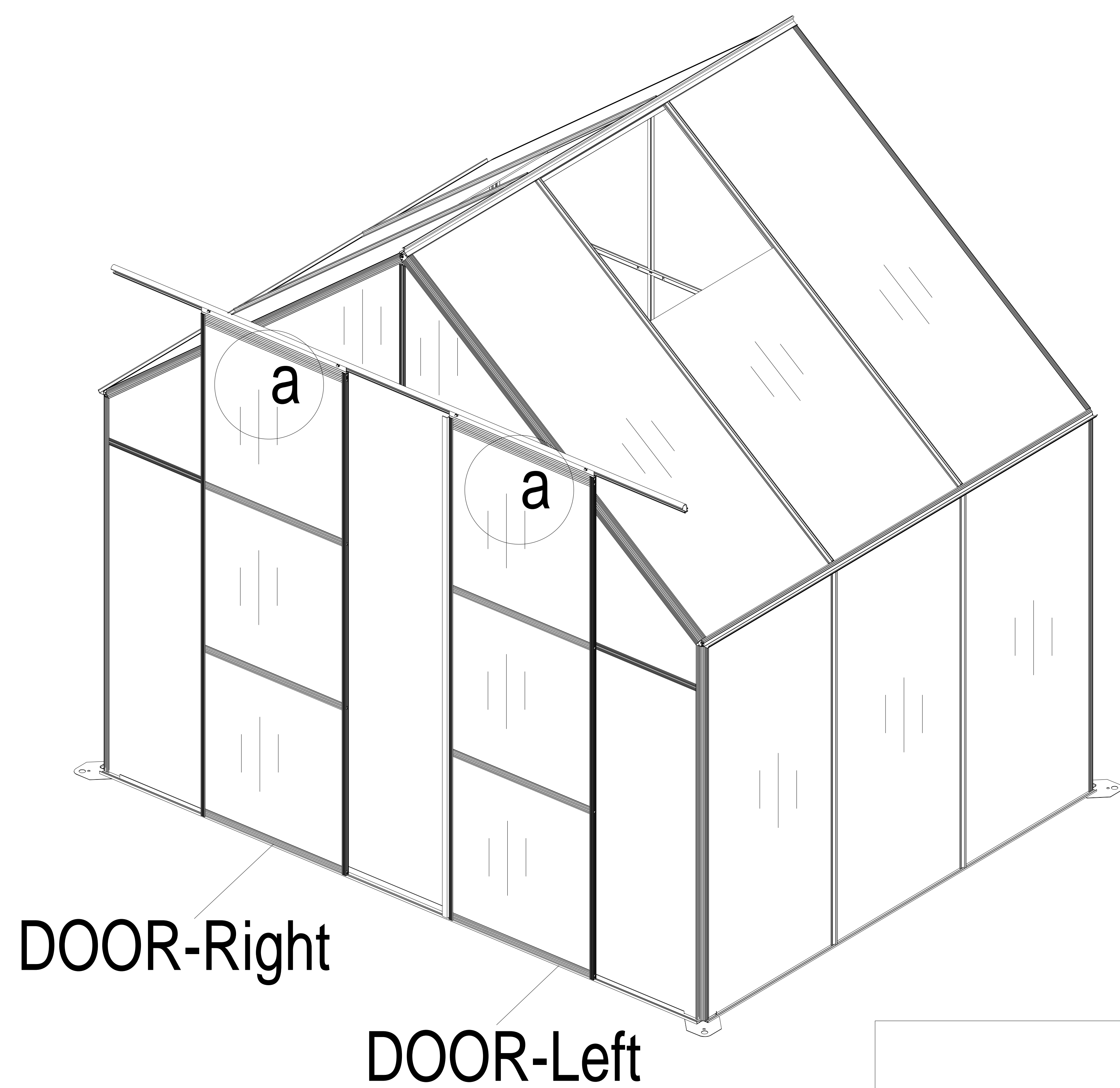
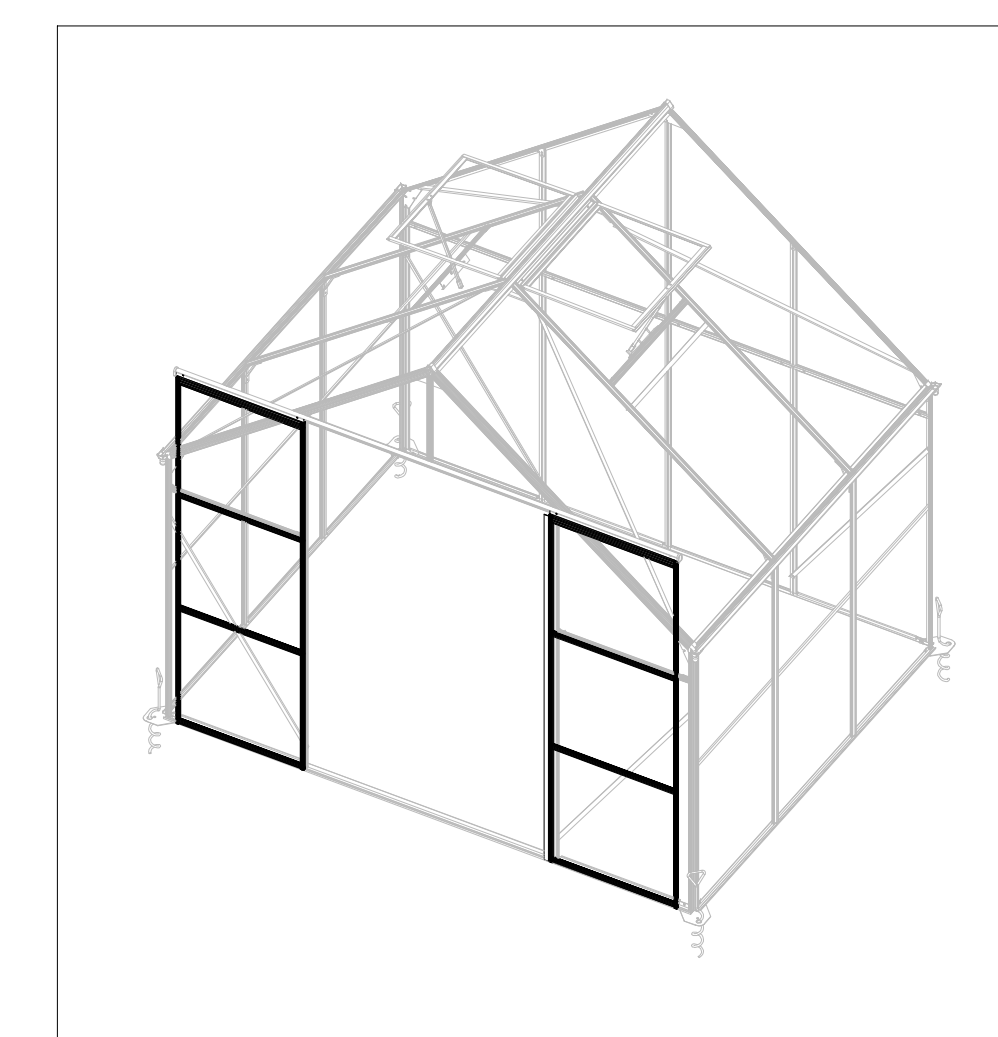
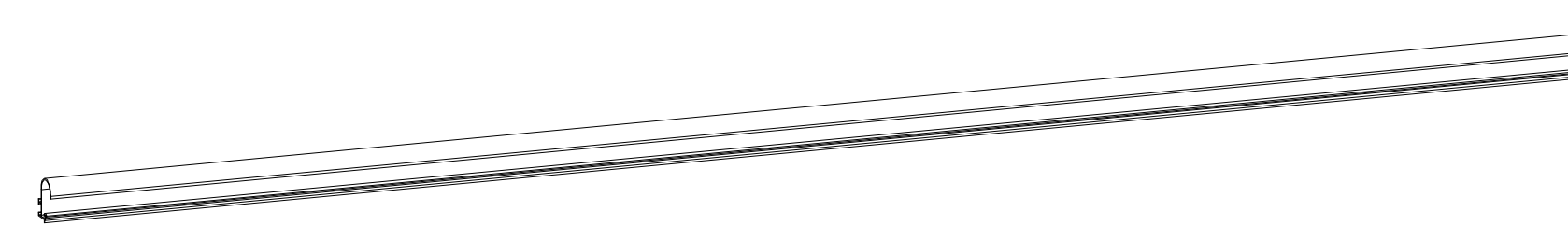
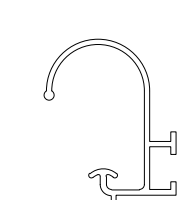


DOOR-Left

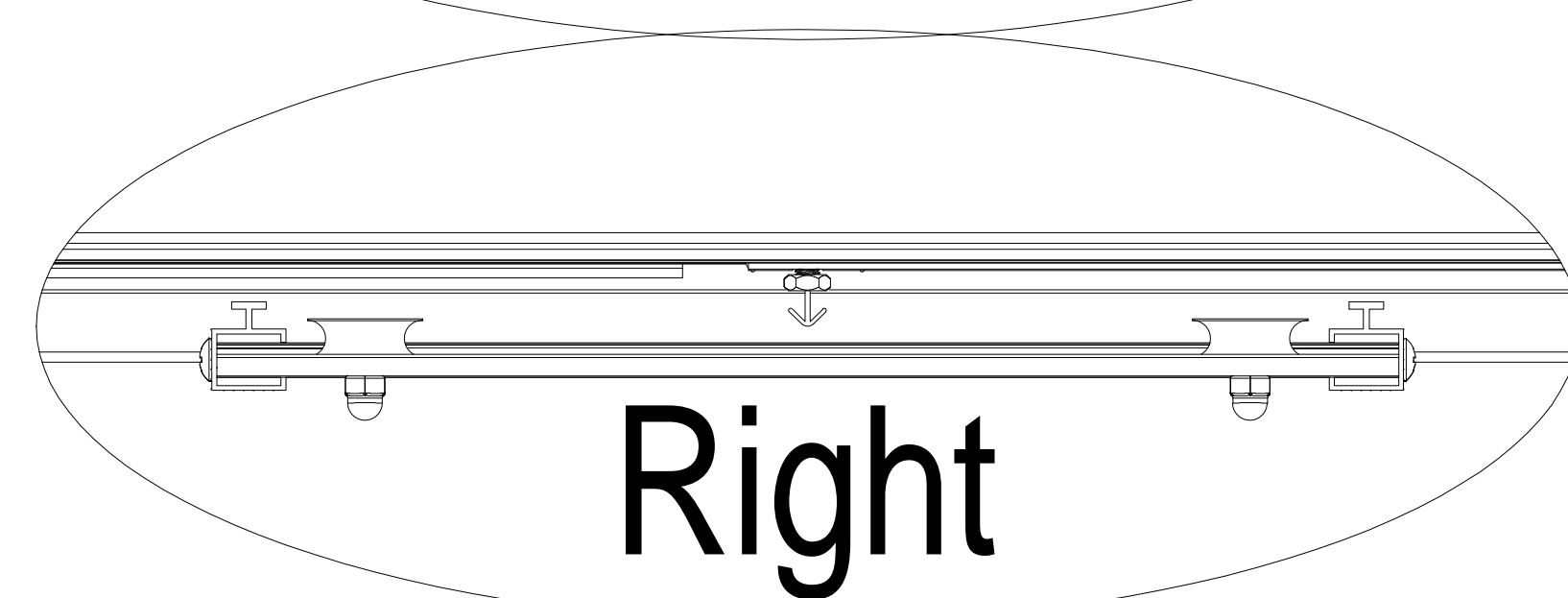


DOOR-Right

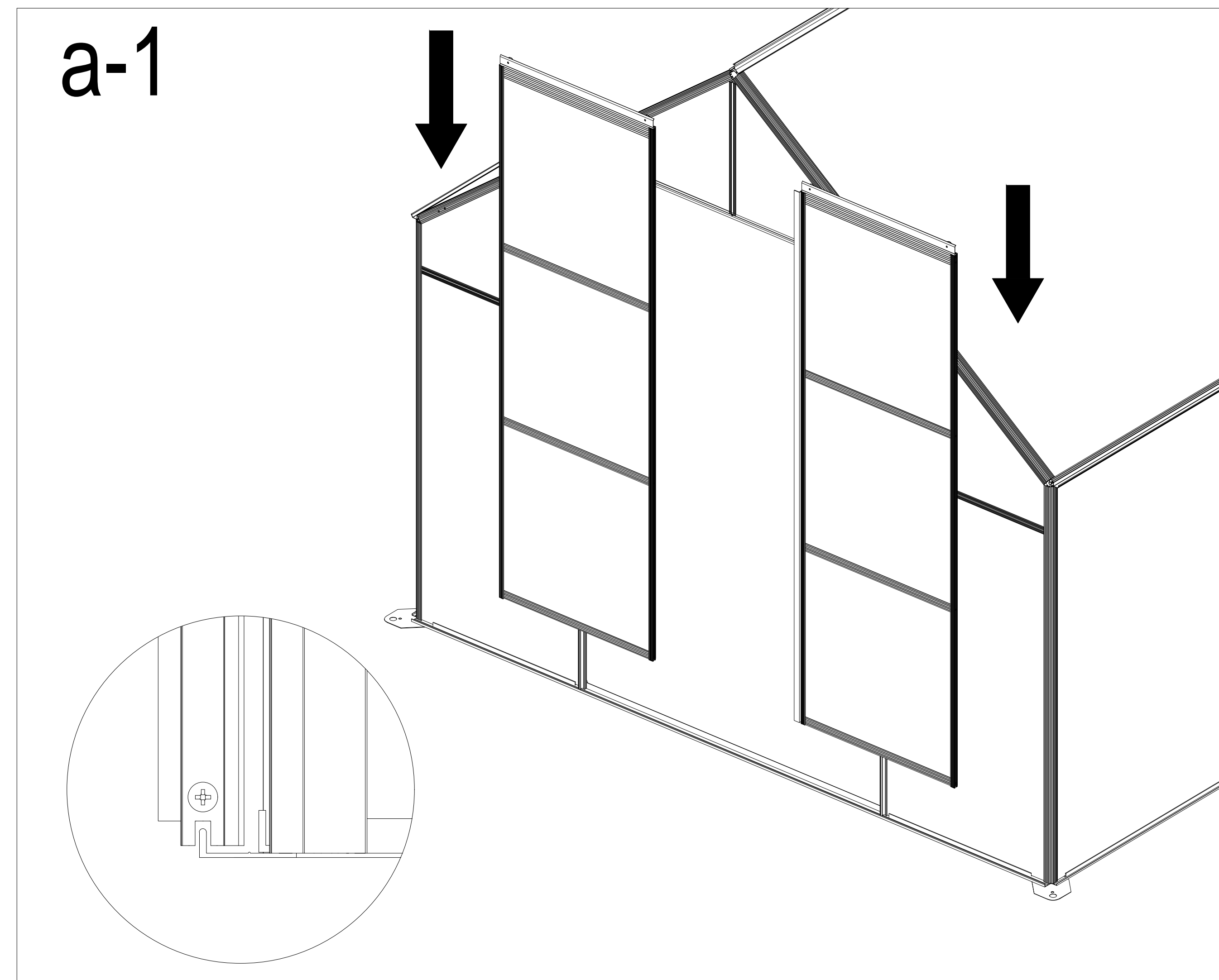
24x1



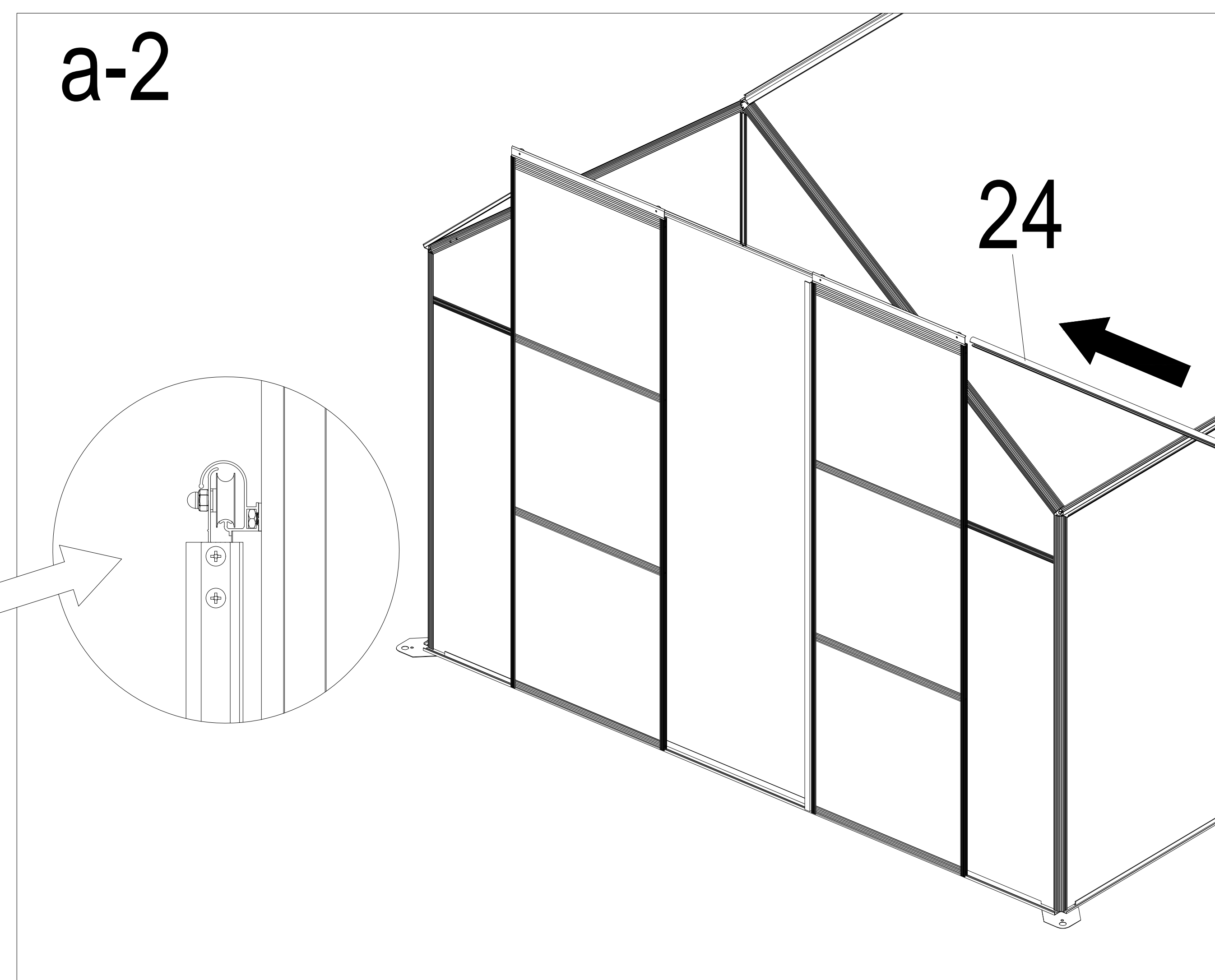
Left



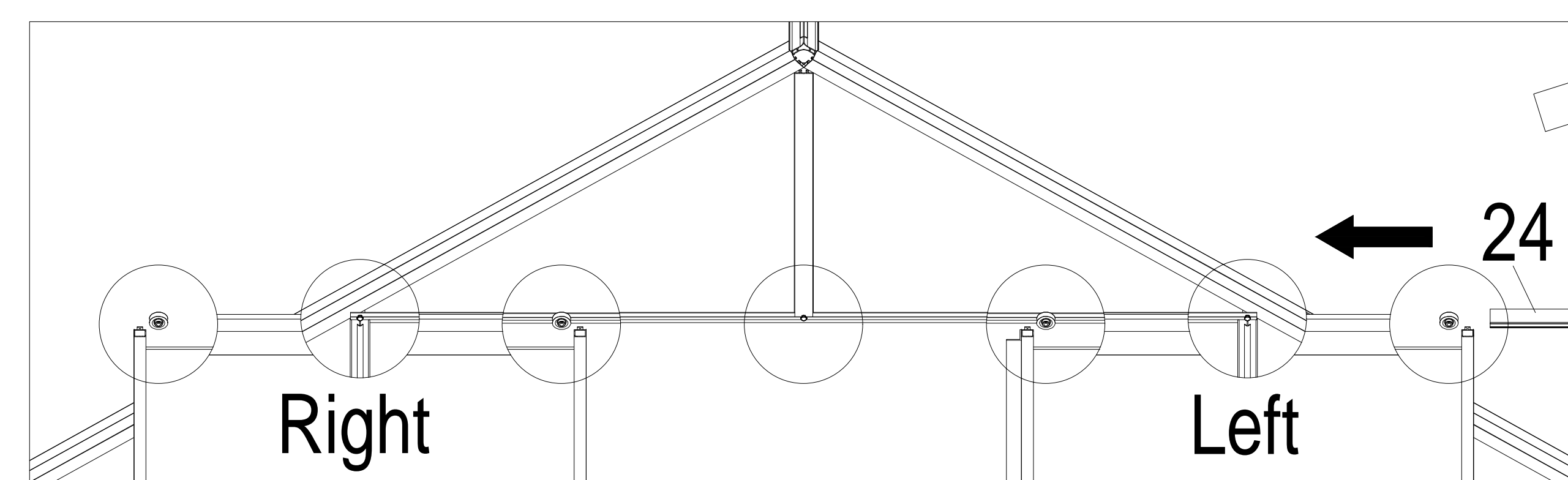
Right

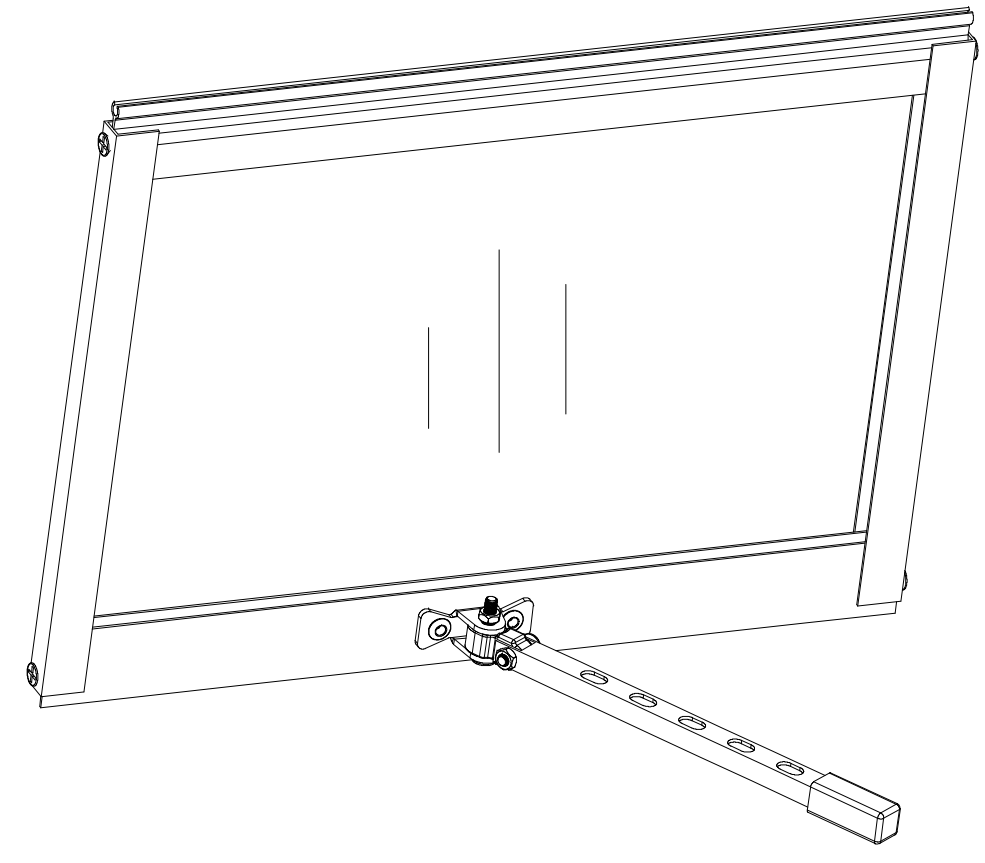


a-1



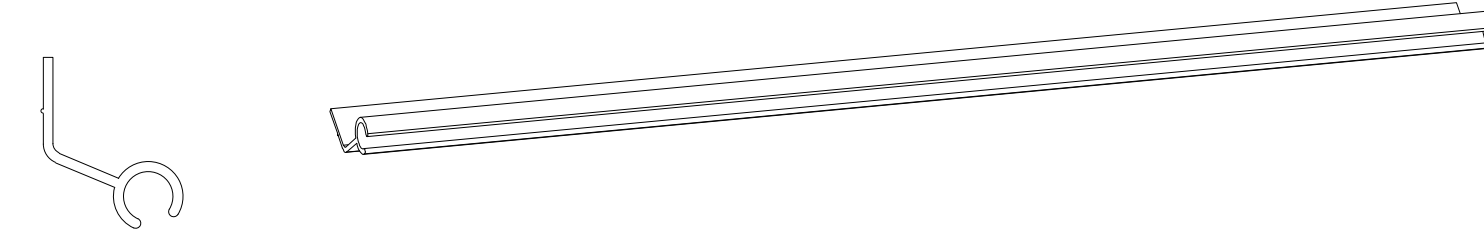
a-2



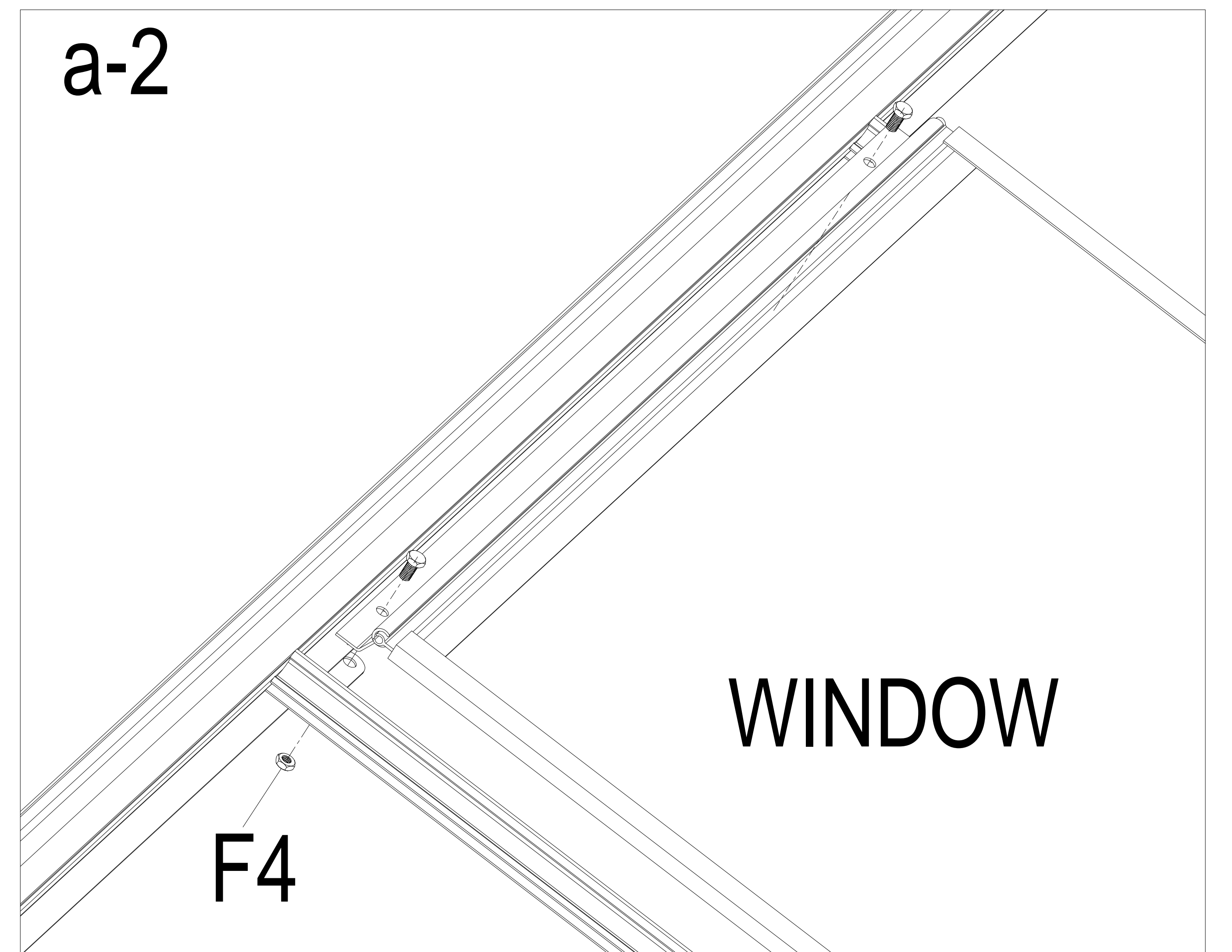
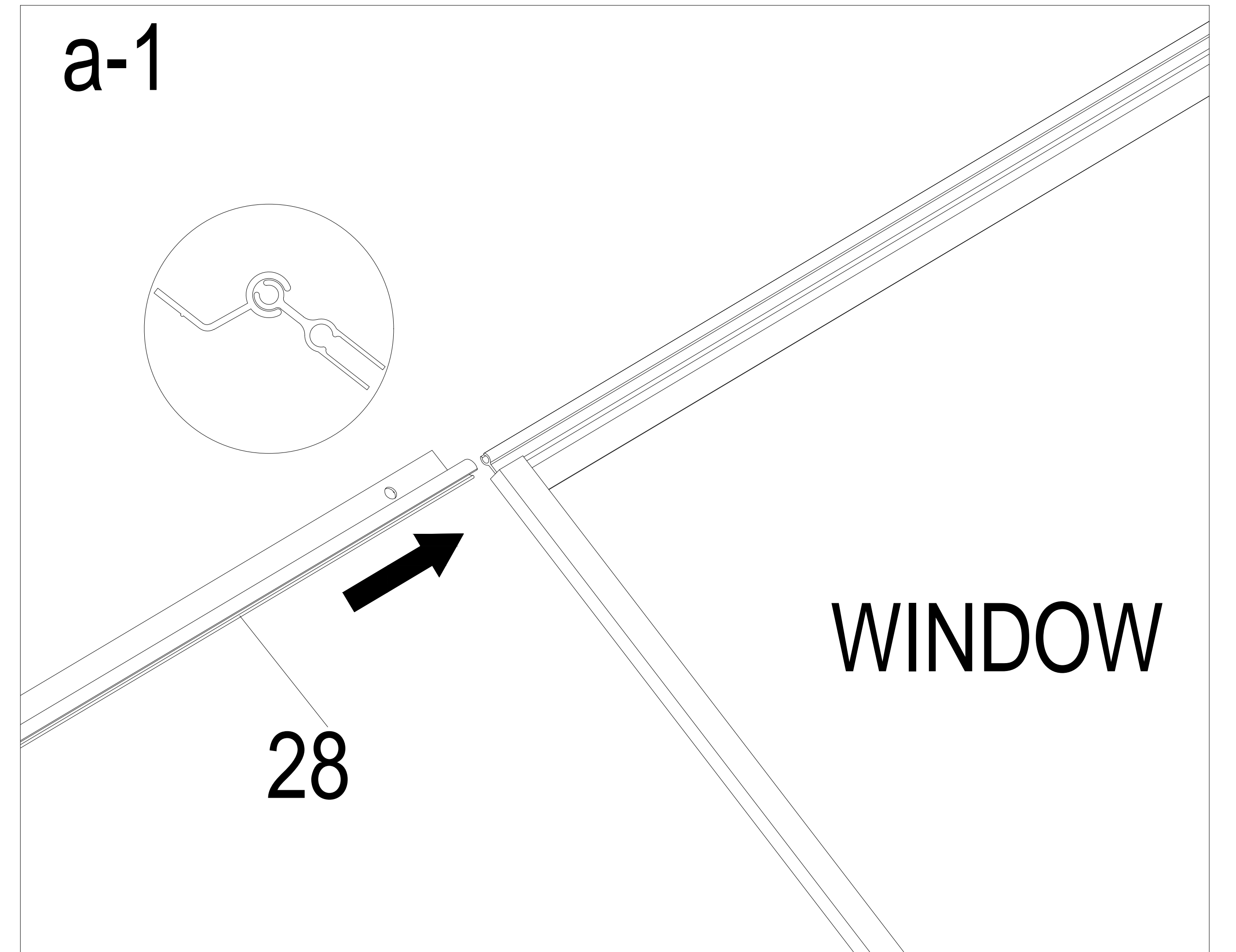
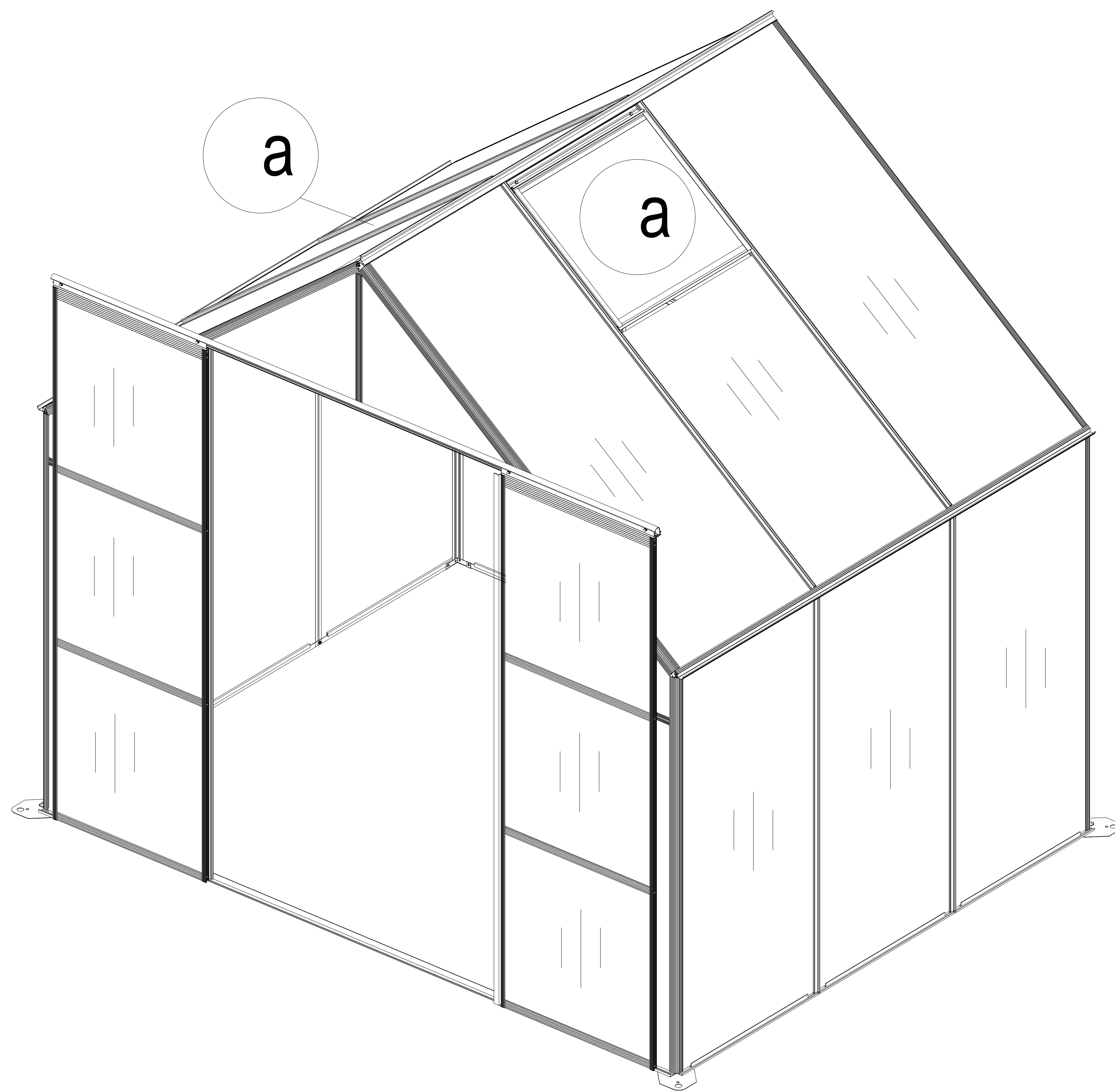
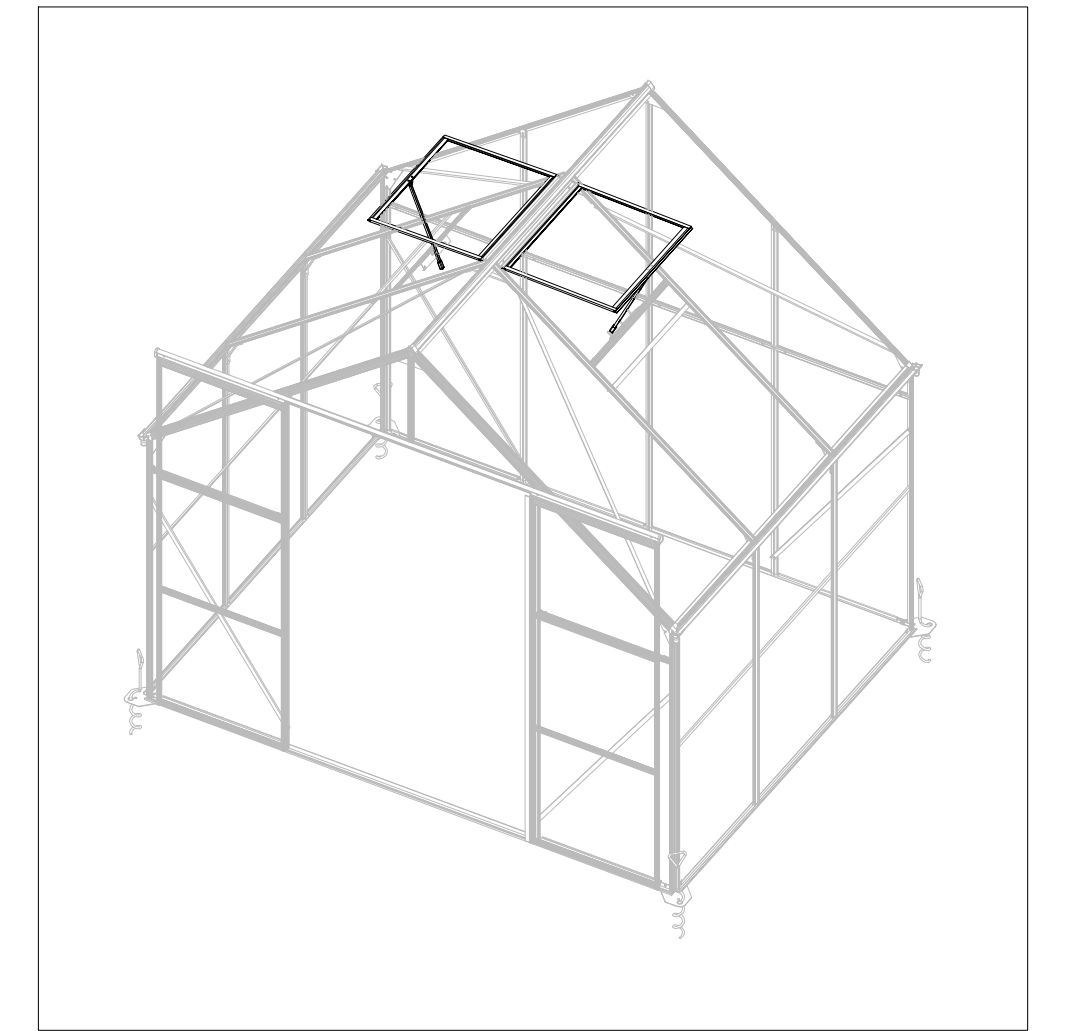


WINDOW x2

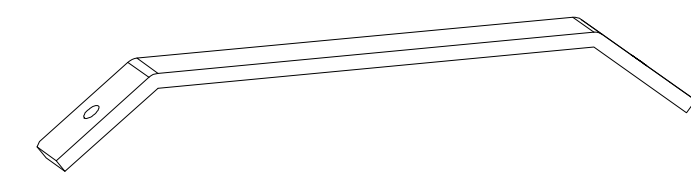
28x2



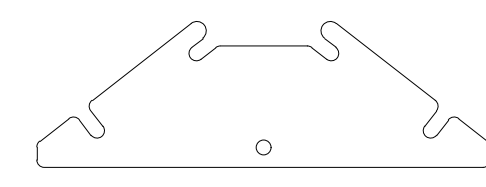
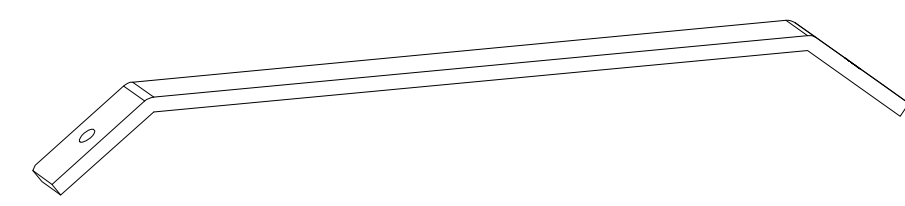
(M5x10)
F4x4



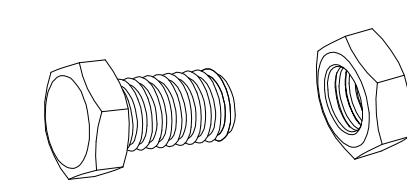
T1x4



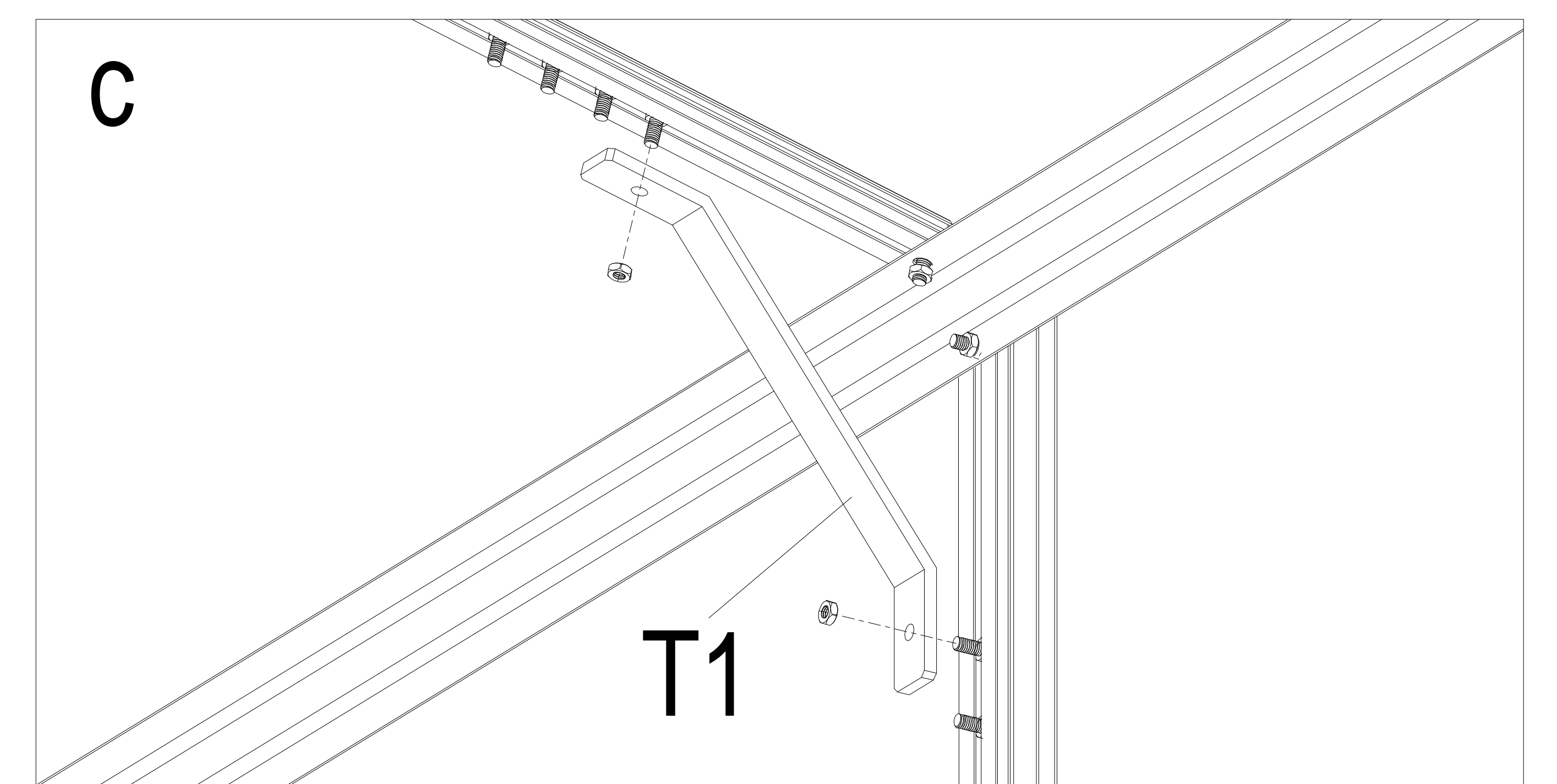
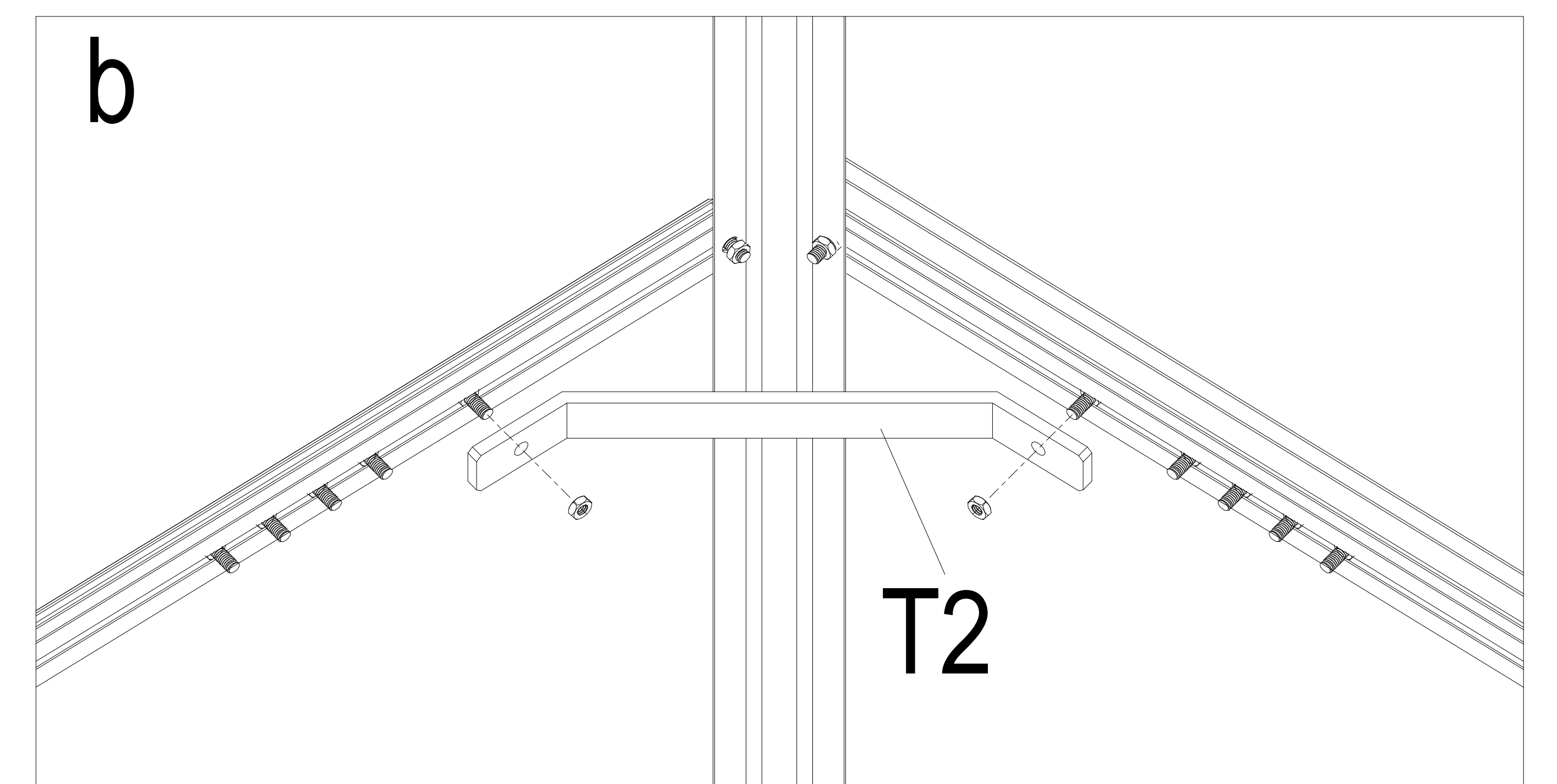
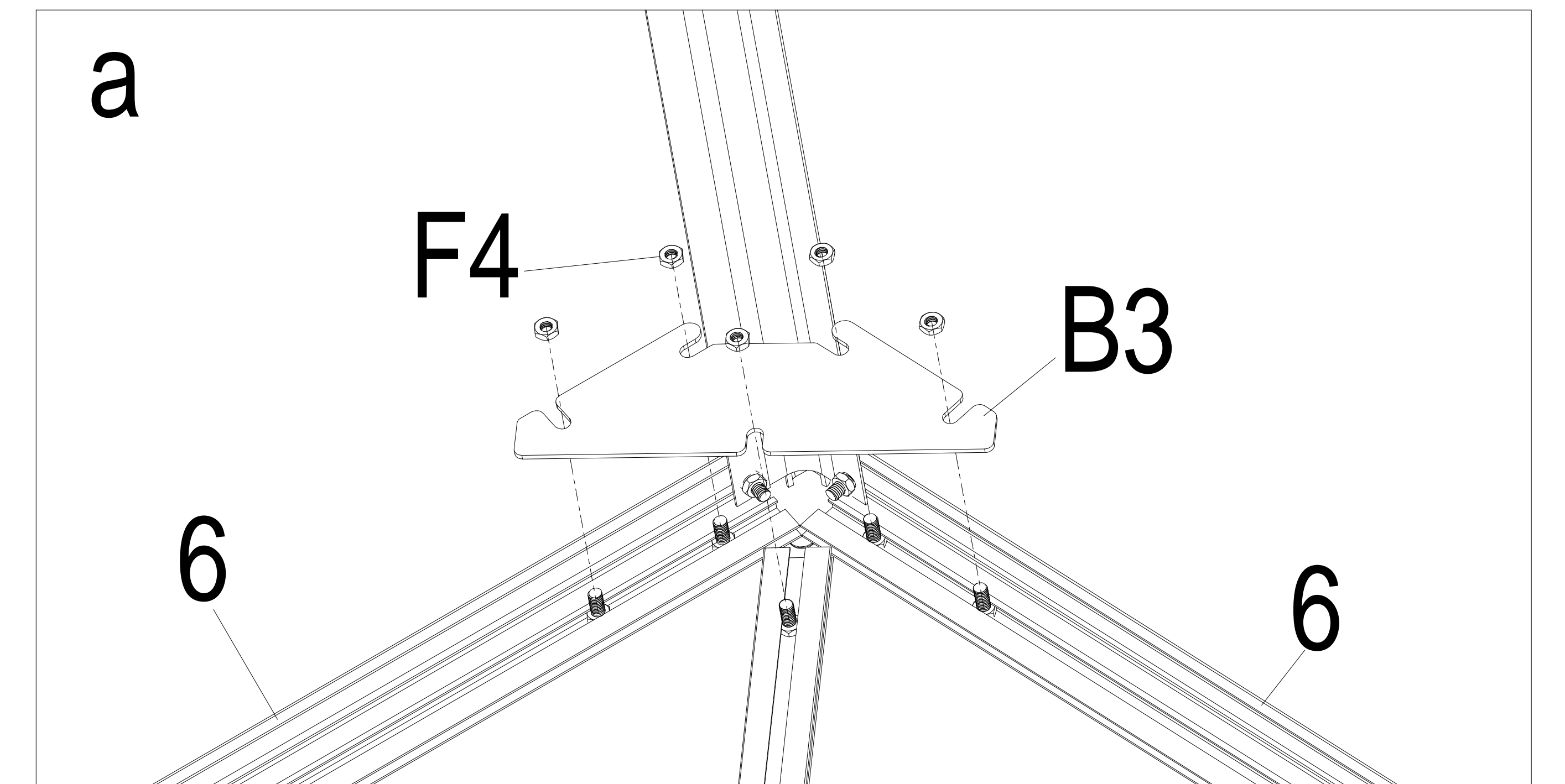
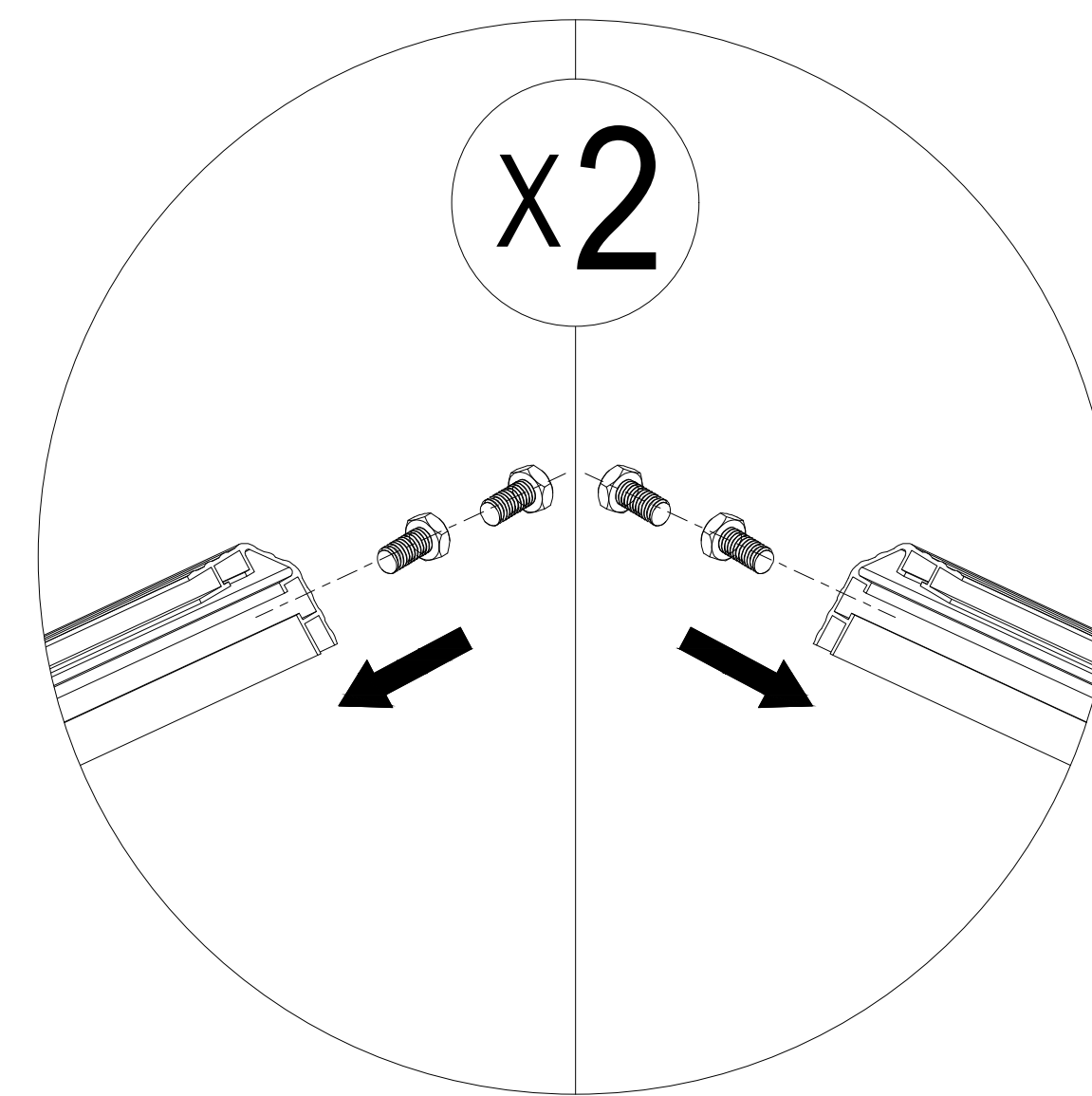
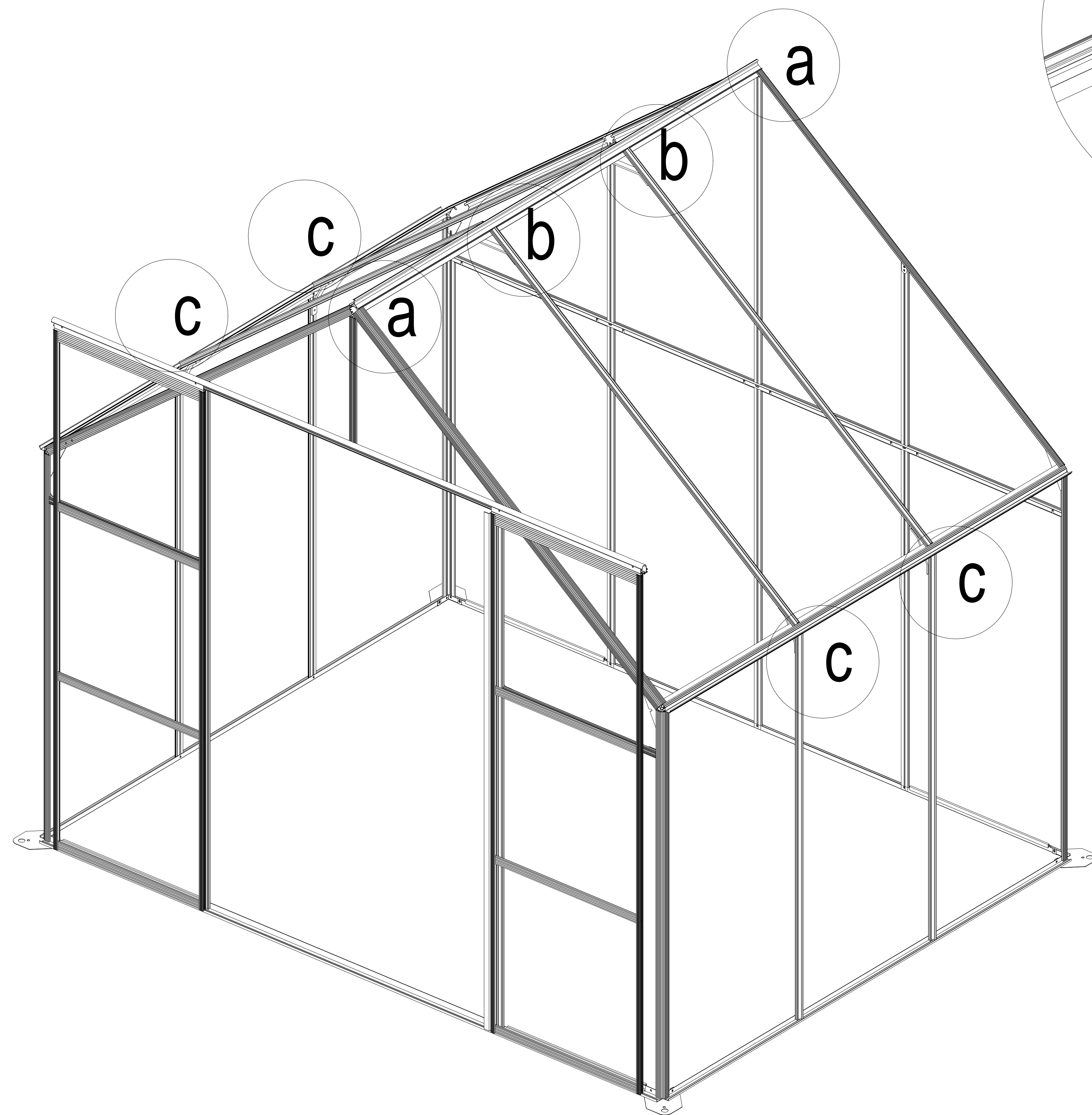
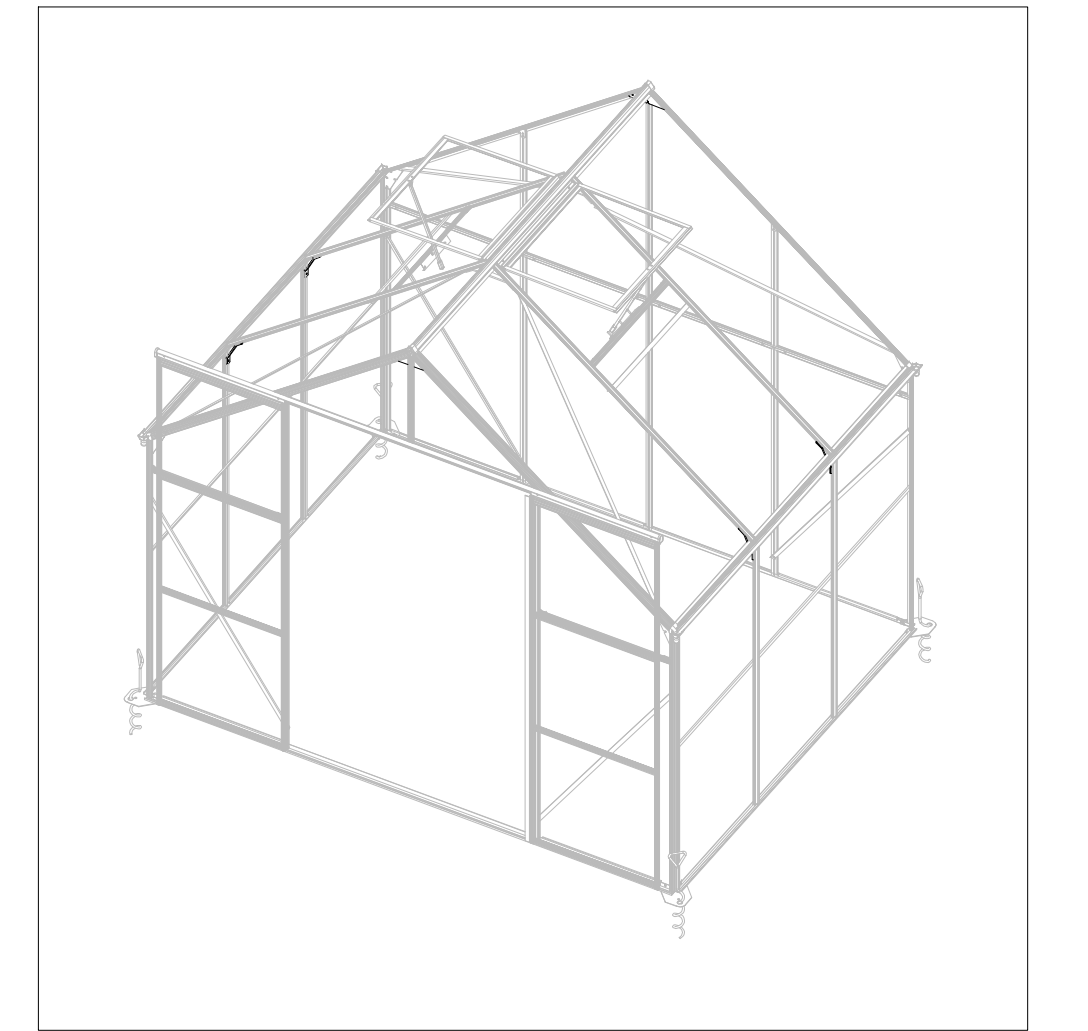
T2x2



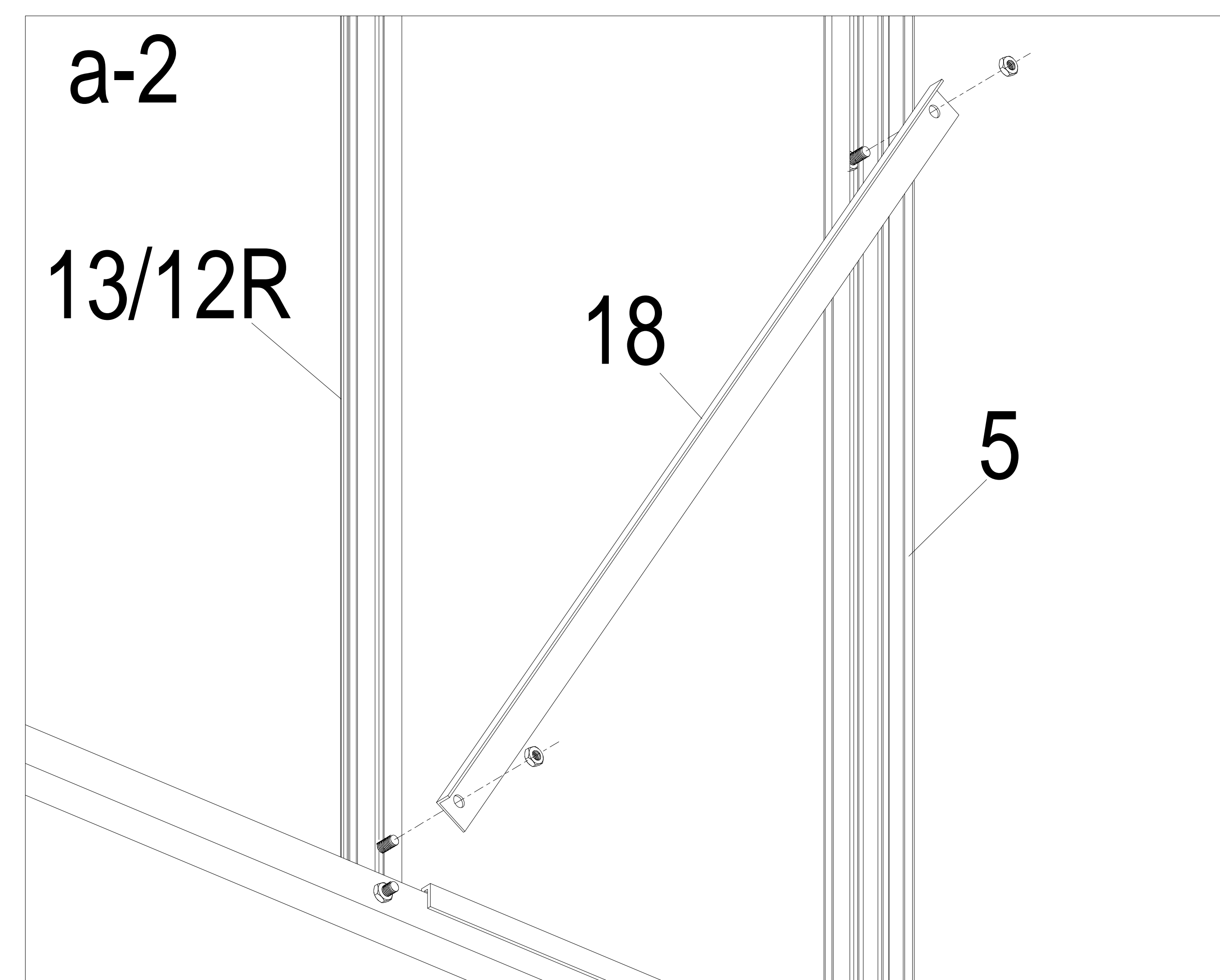
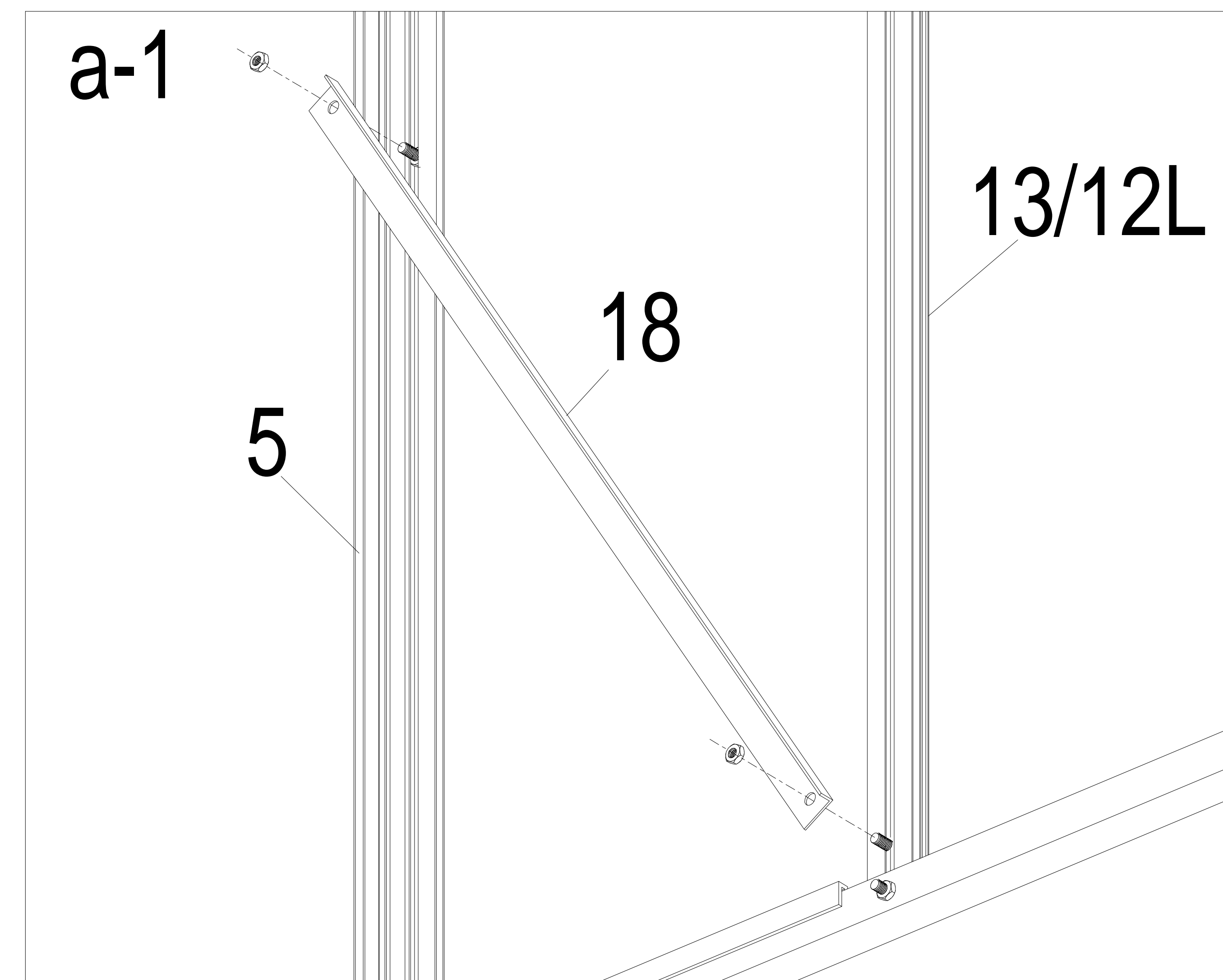
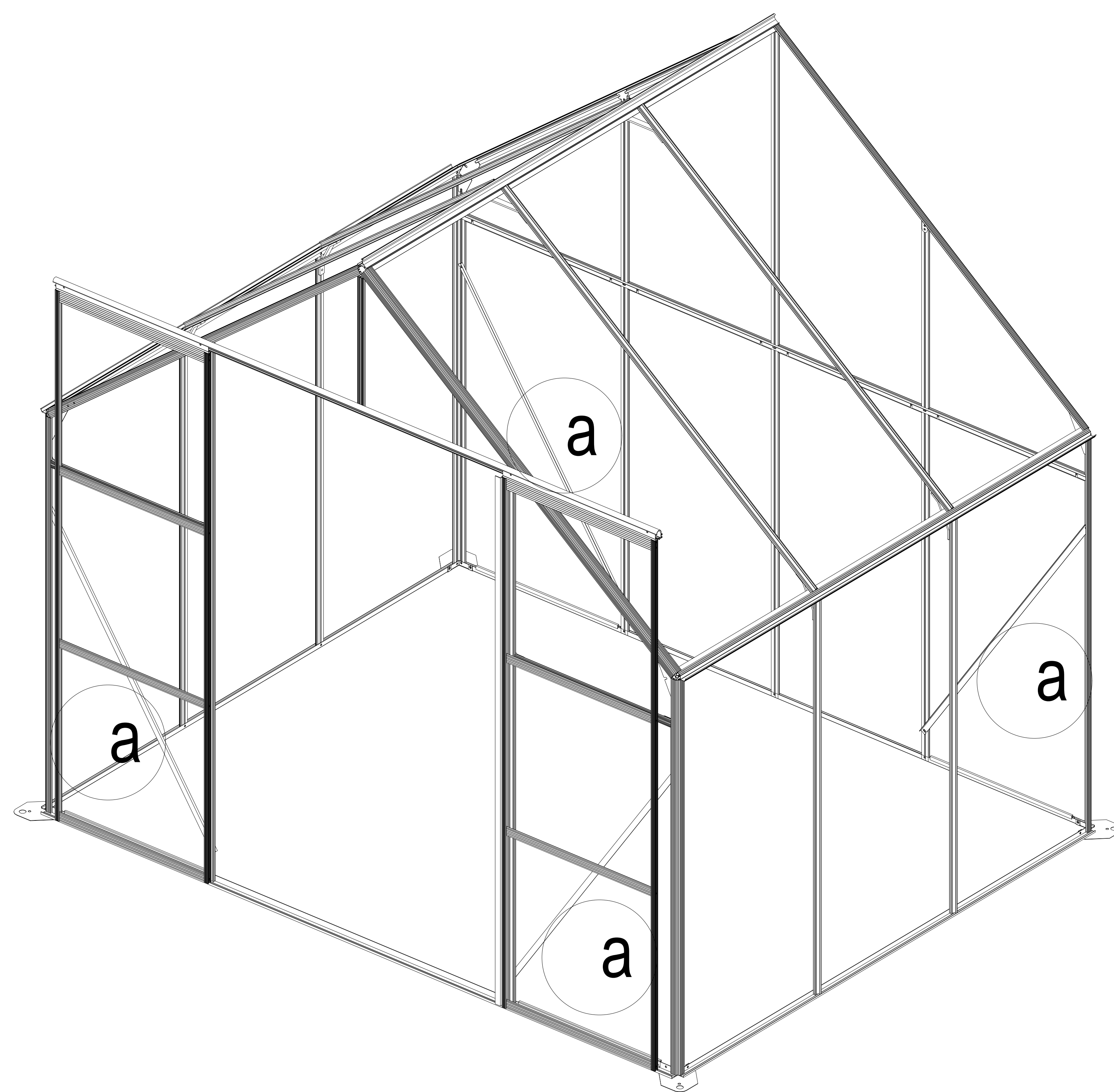
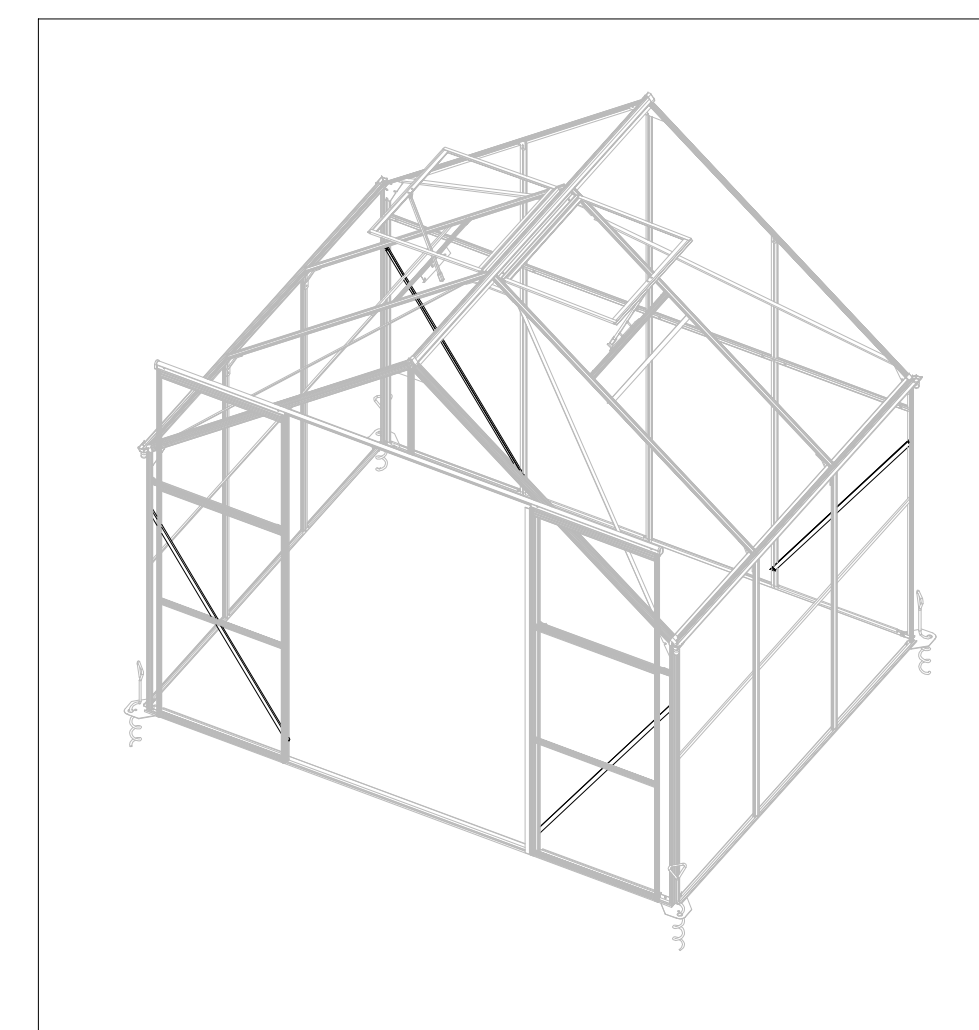
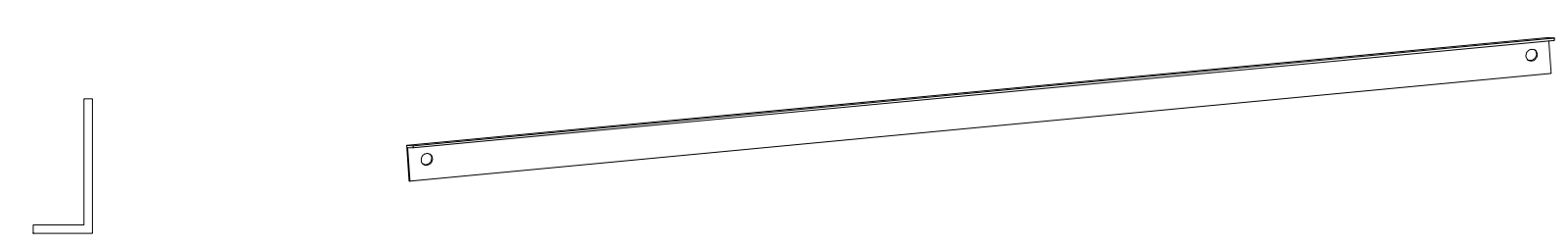
B3x2



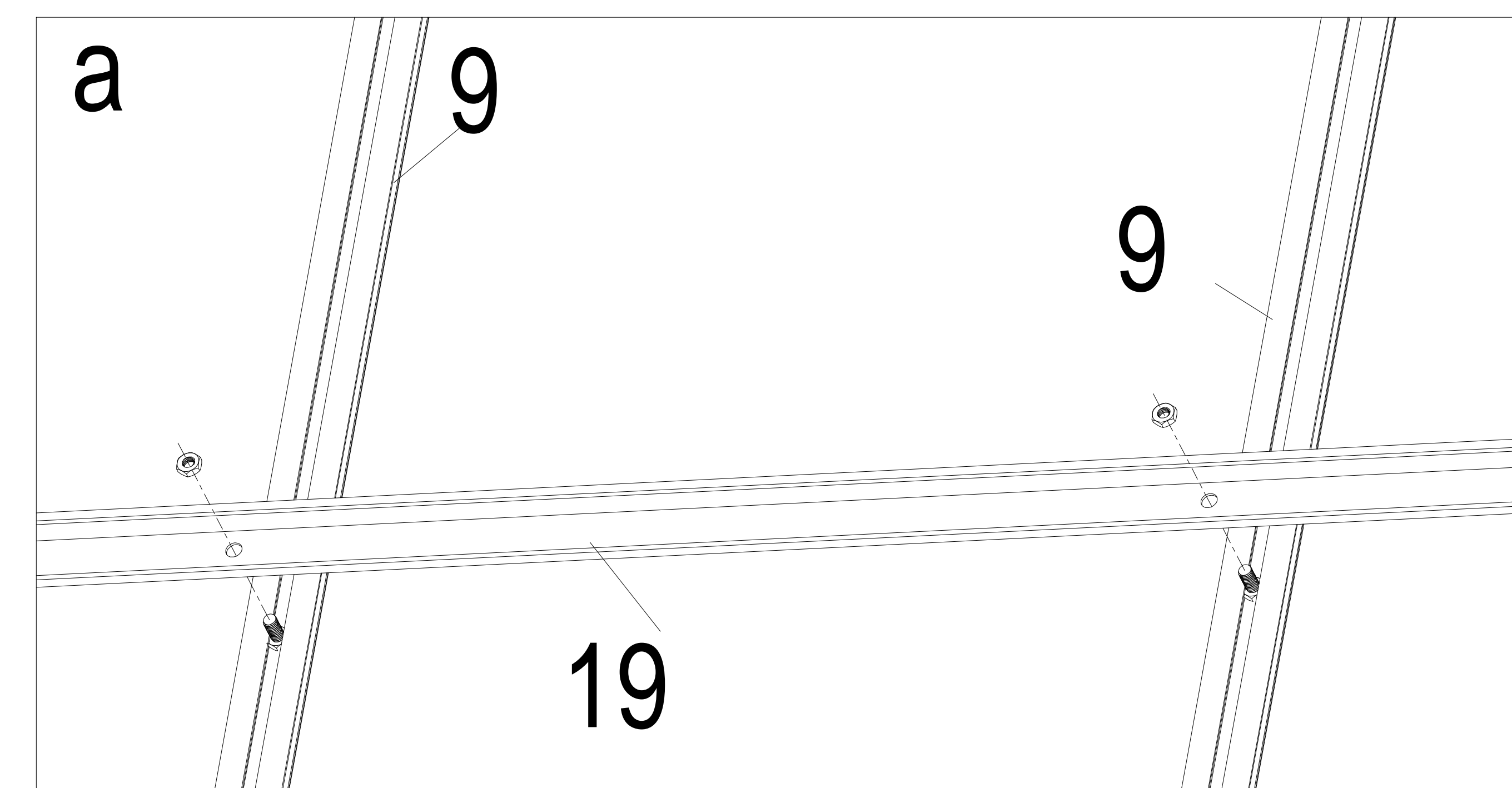
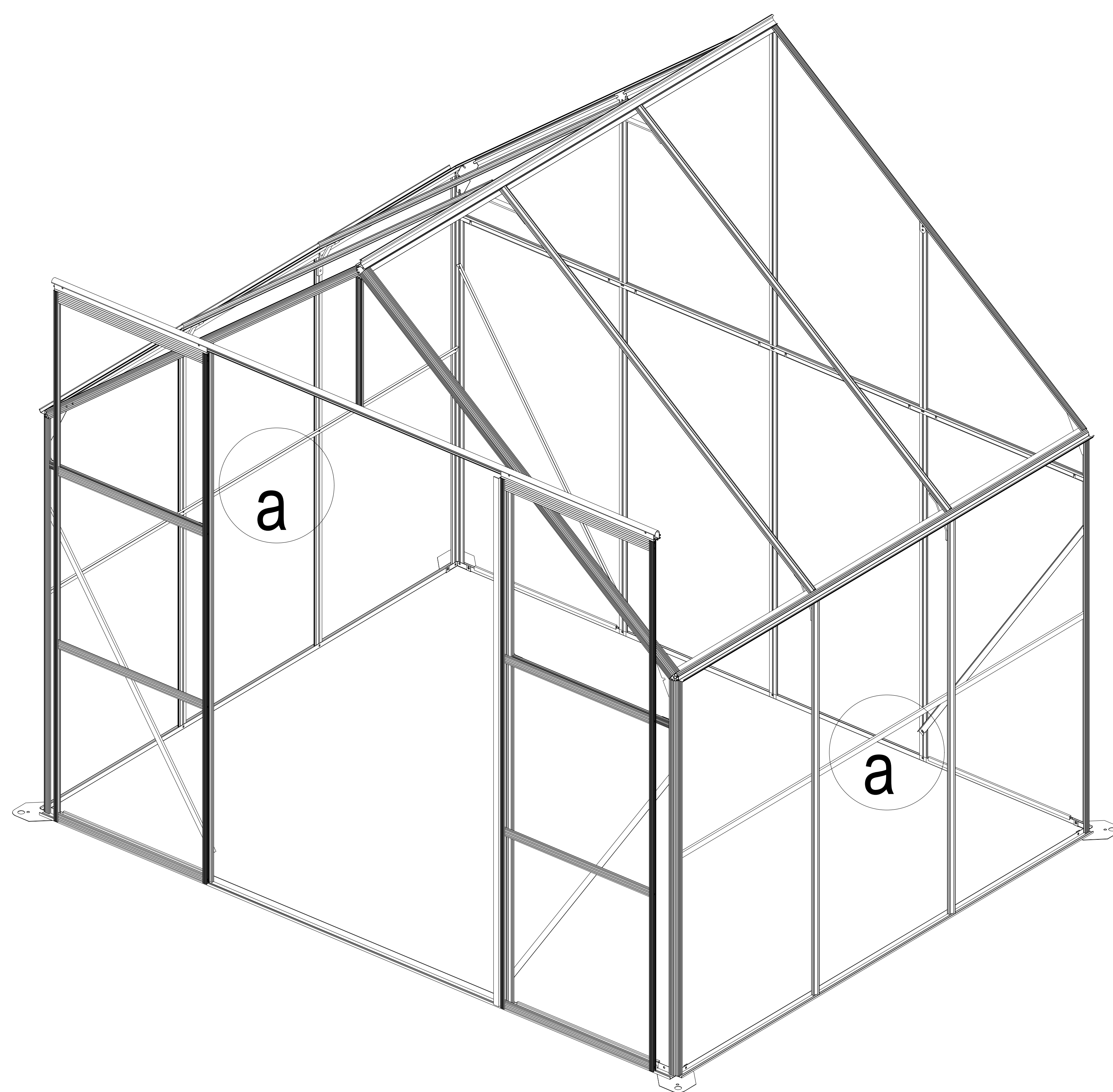
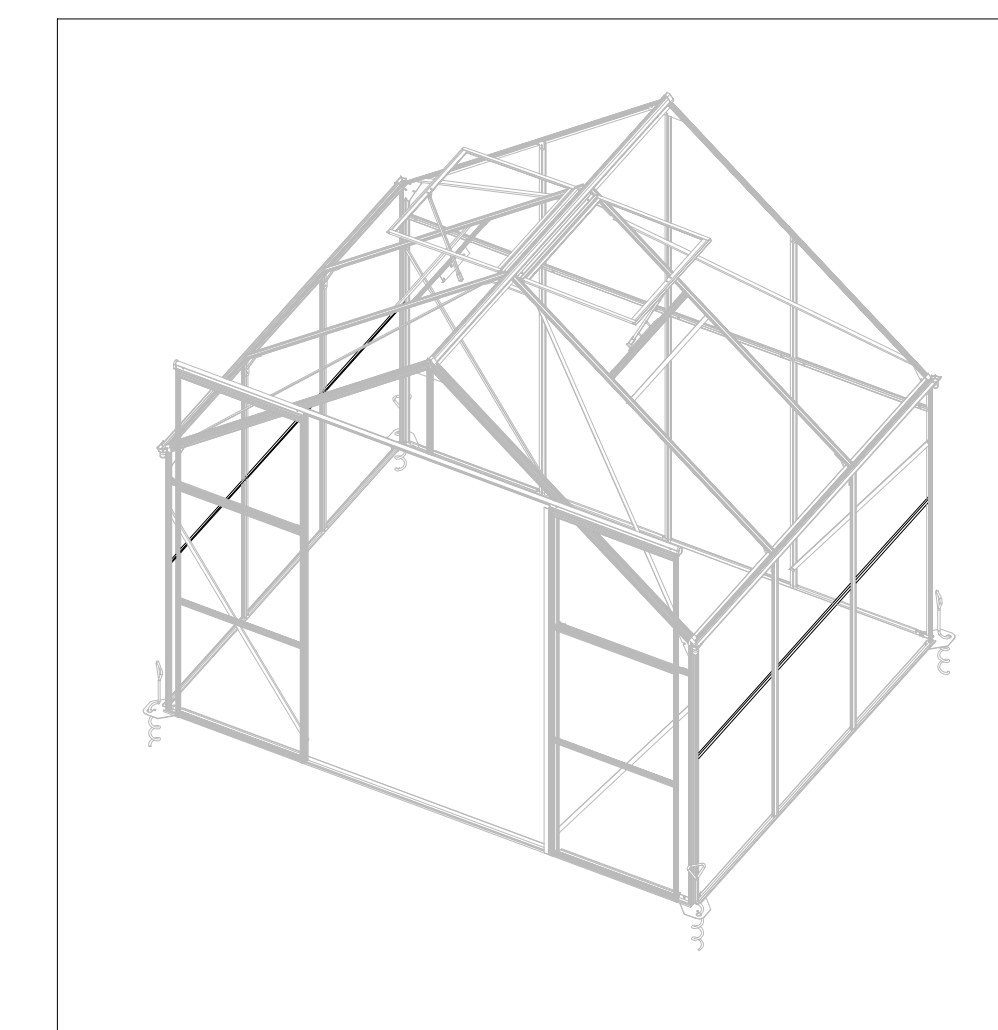
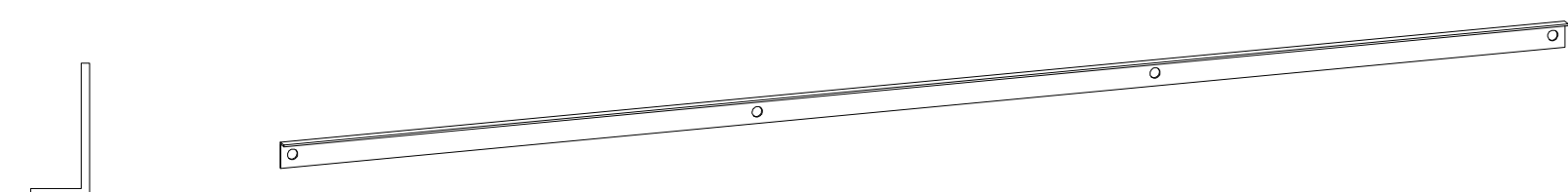
(M5x10)
F4x8



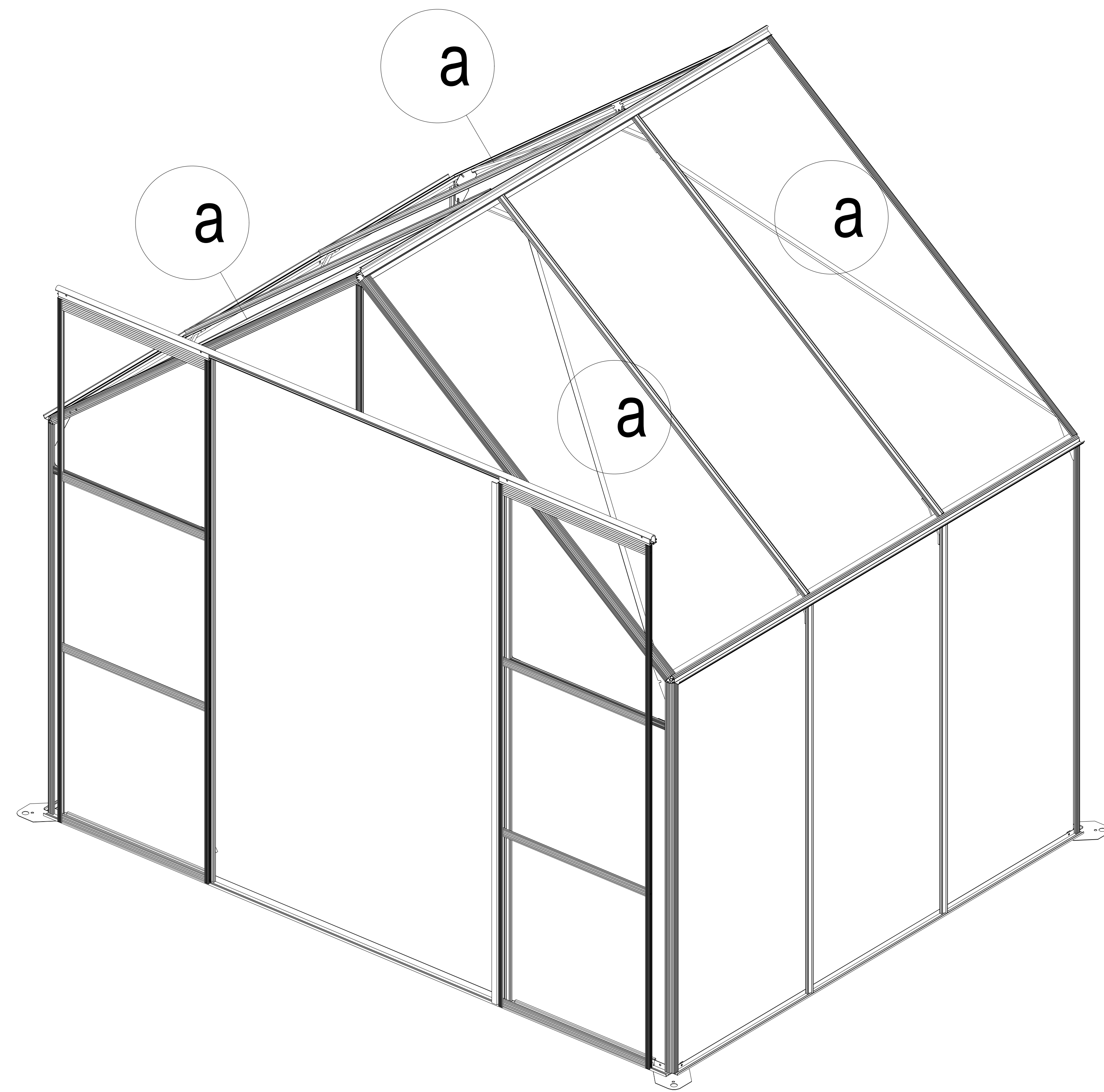
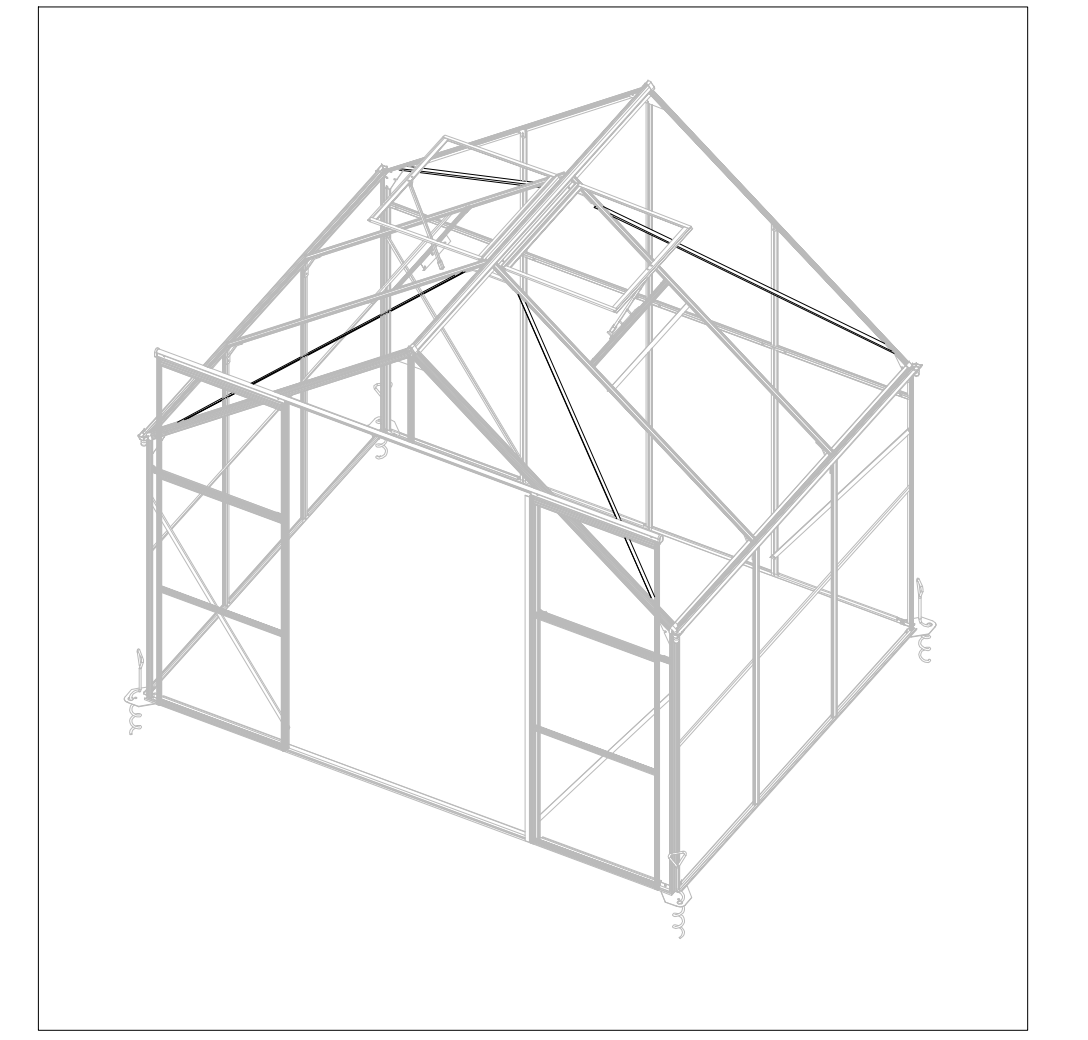
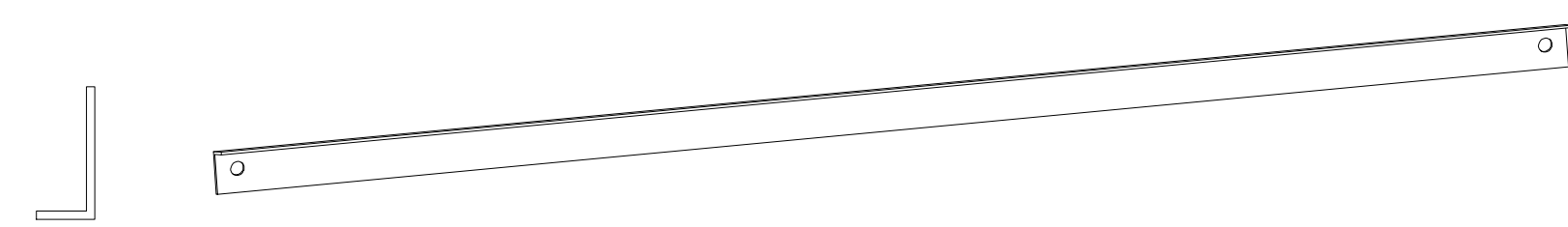
18x4



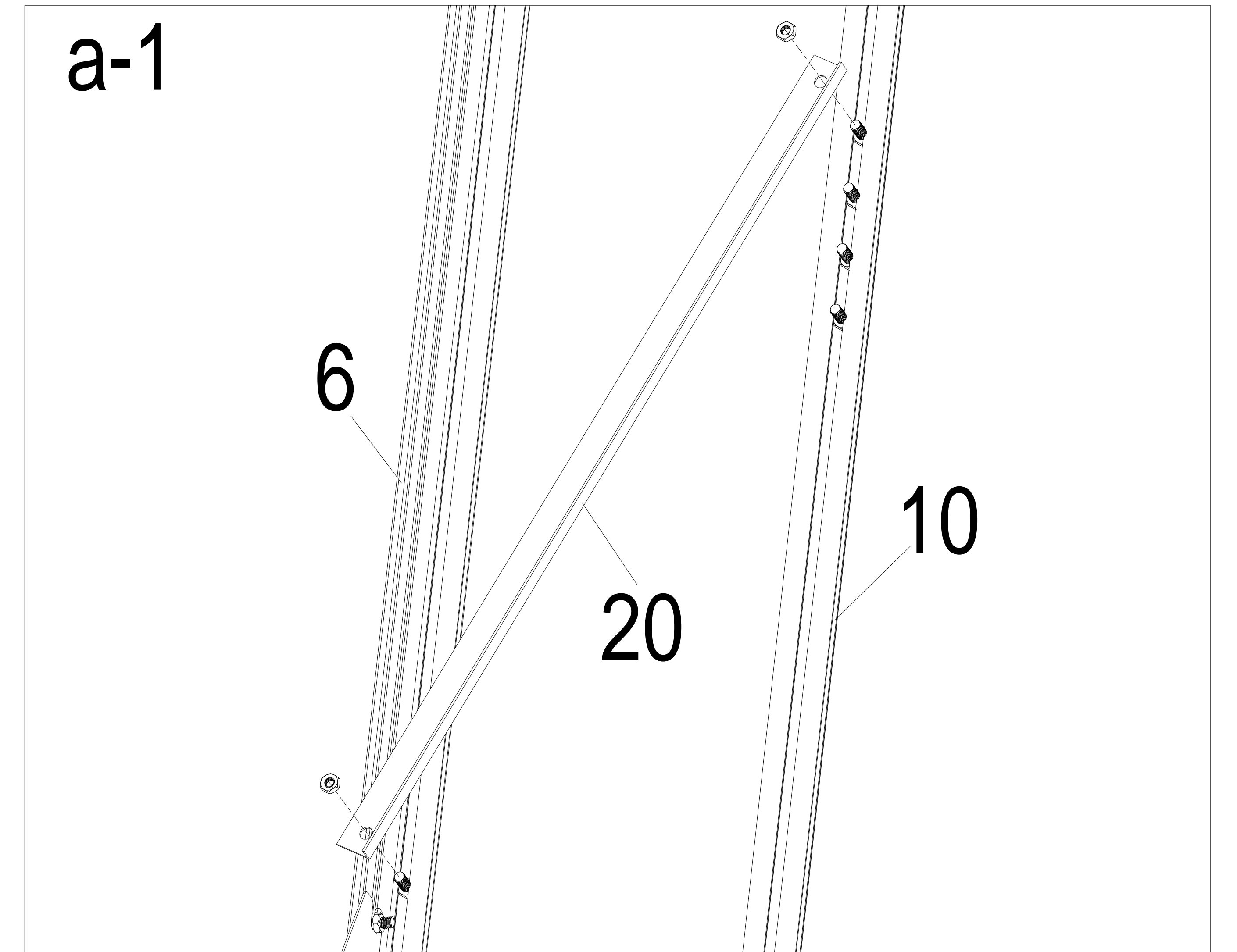
19x2



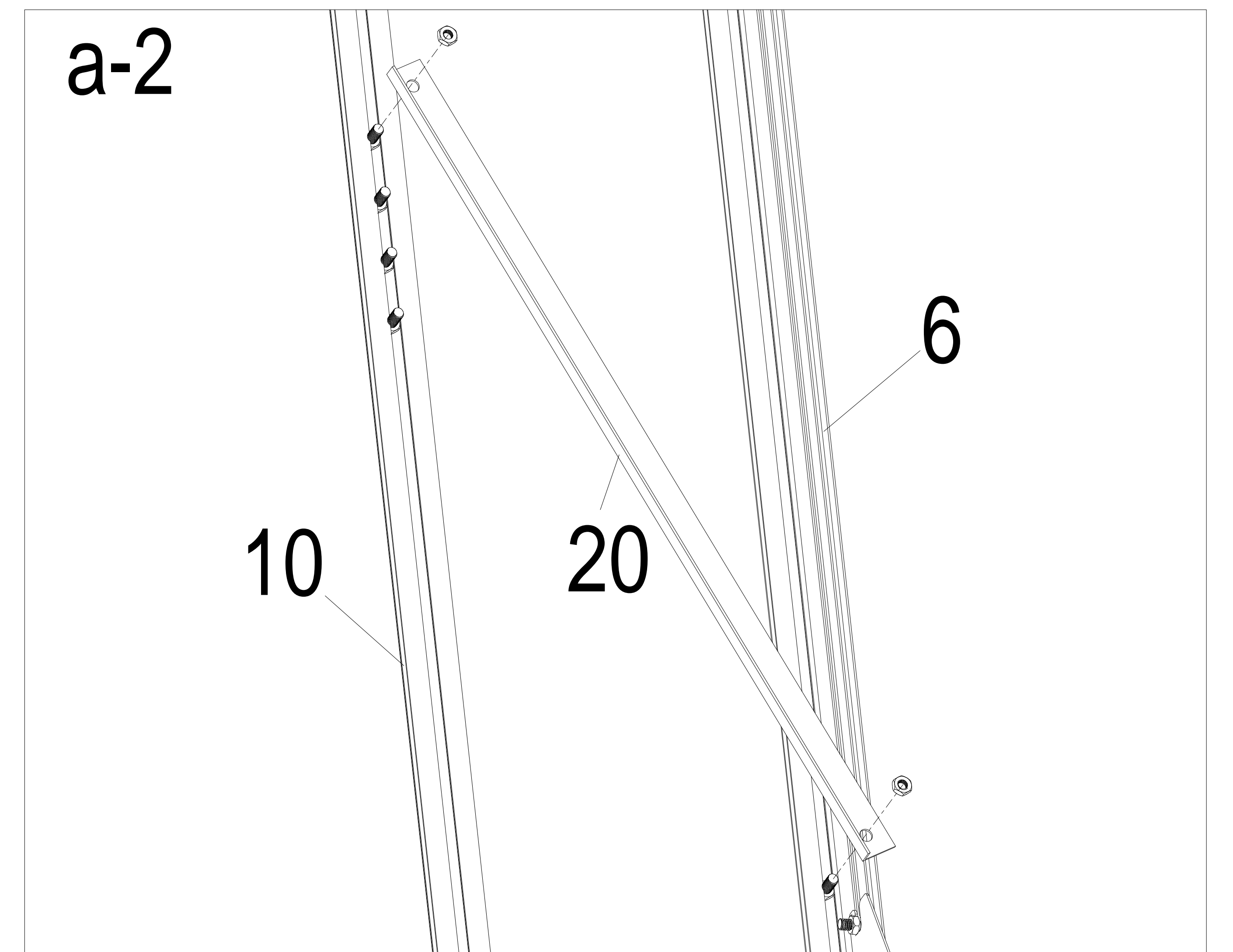
20x4



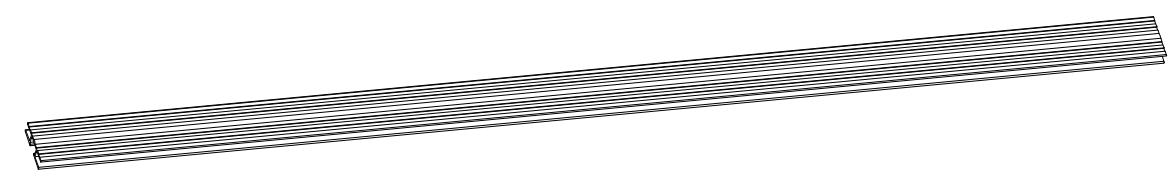
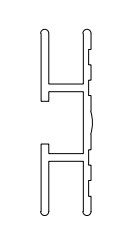
a-1



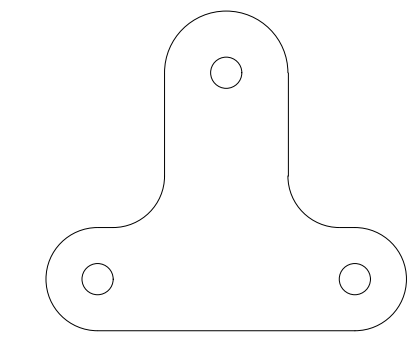
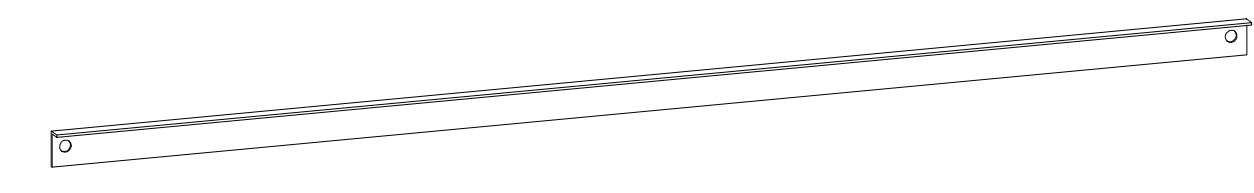
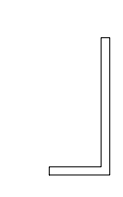
a-2



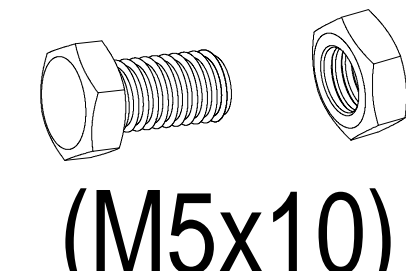
16x2



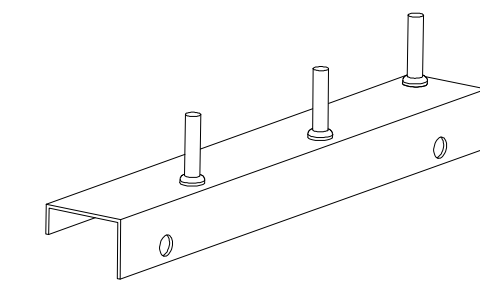
21x2



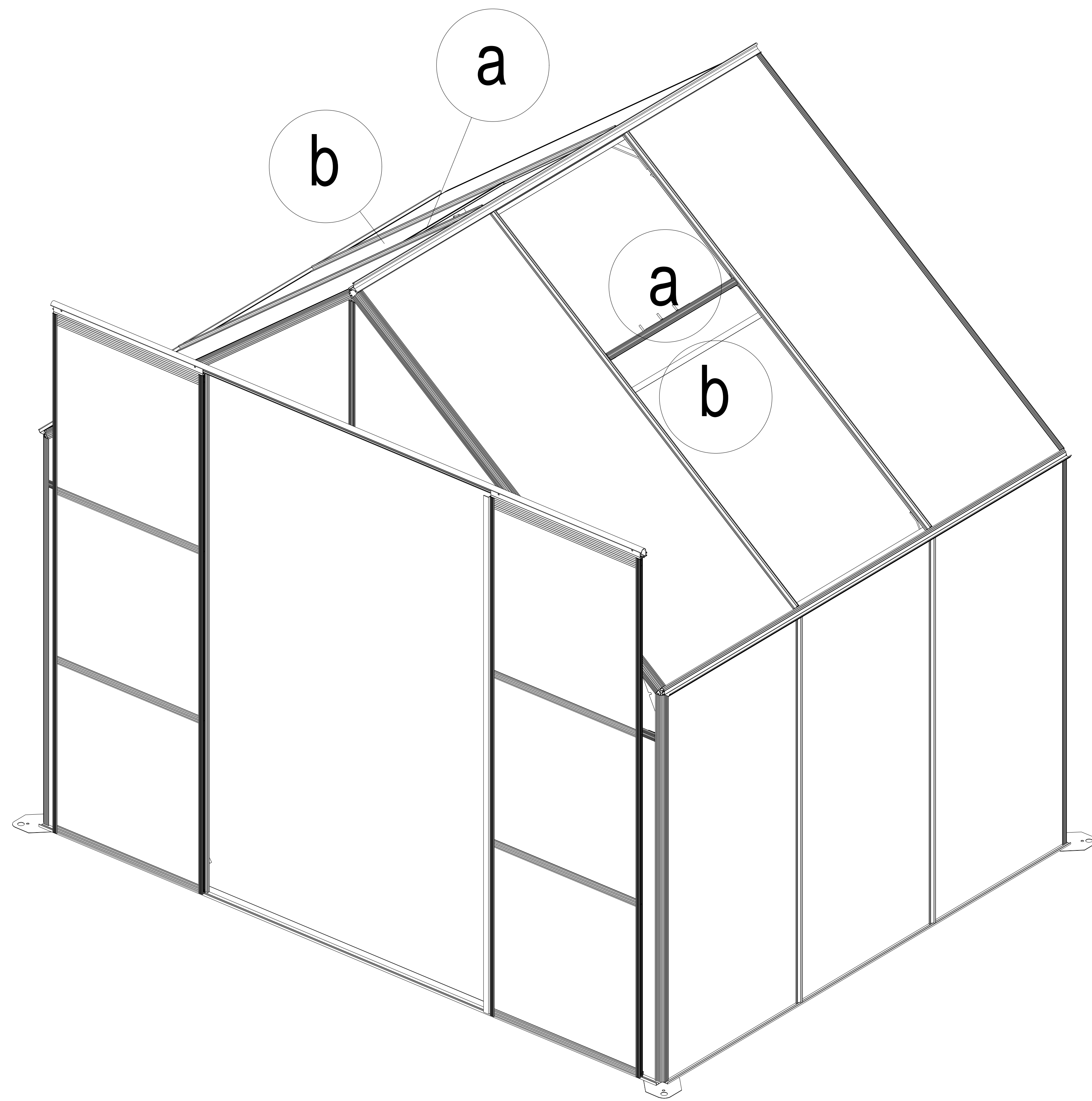
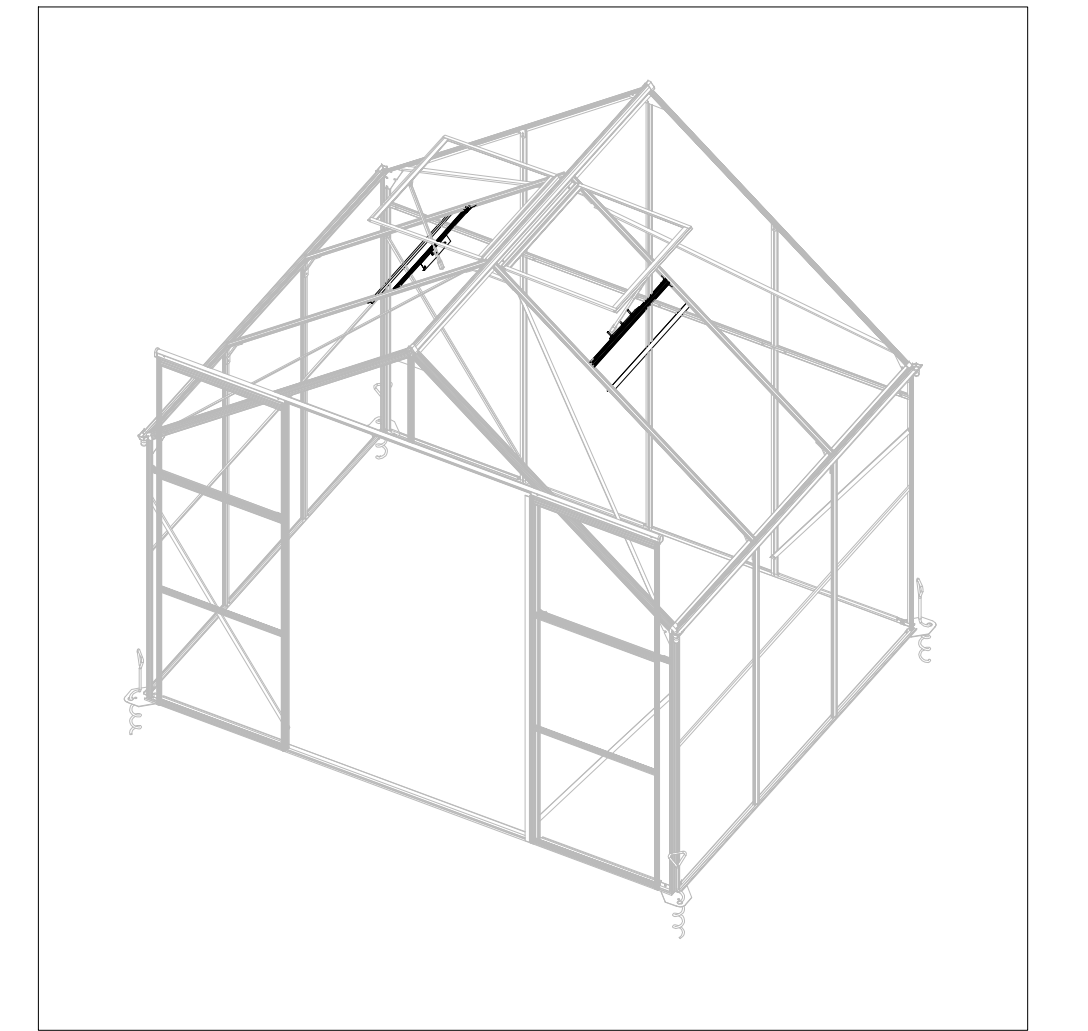
B4x4



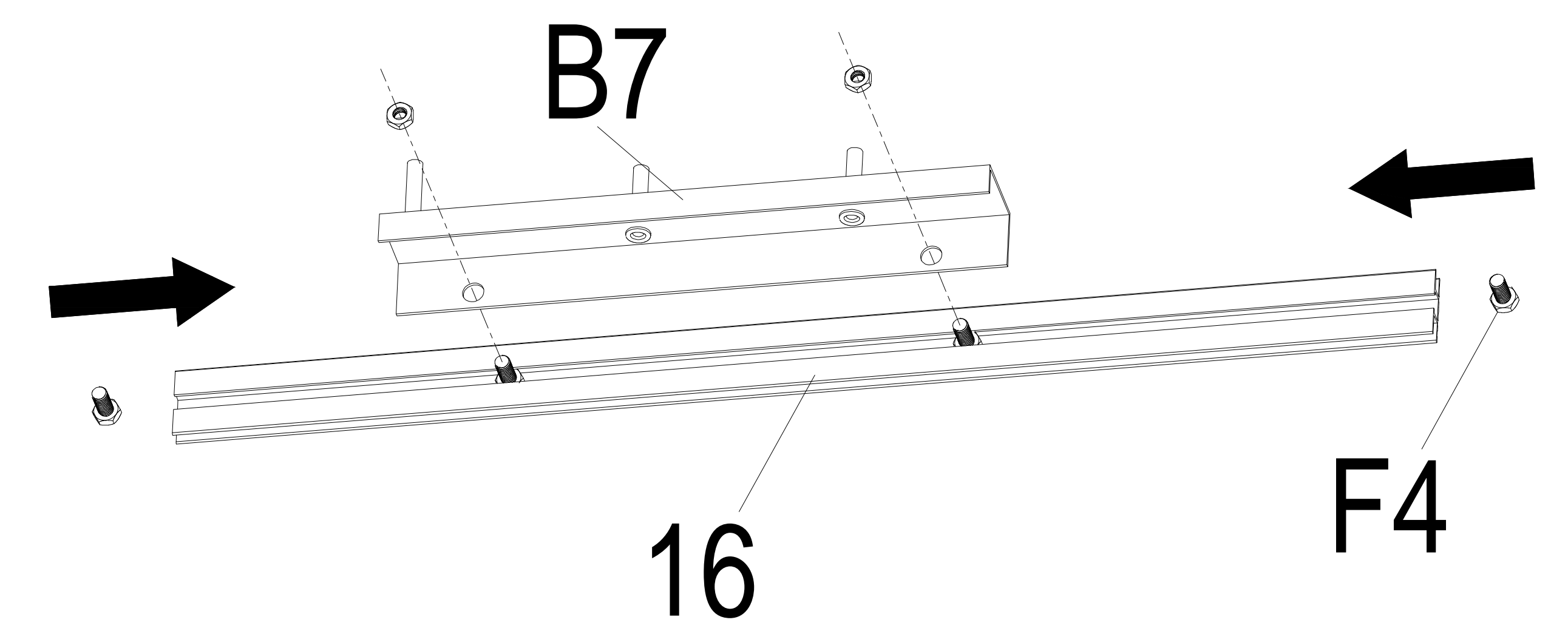
(M5x10)
F4x8



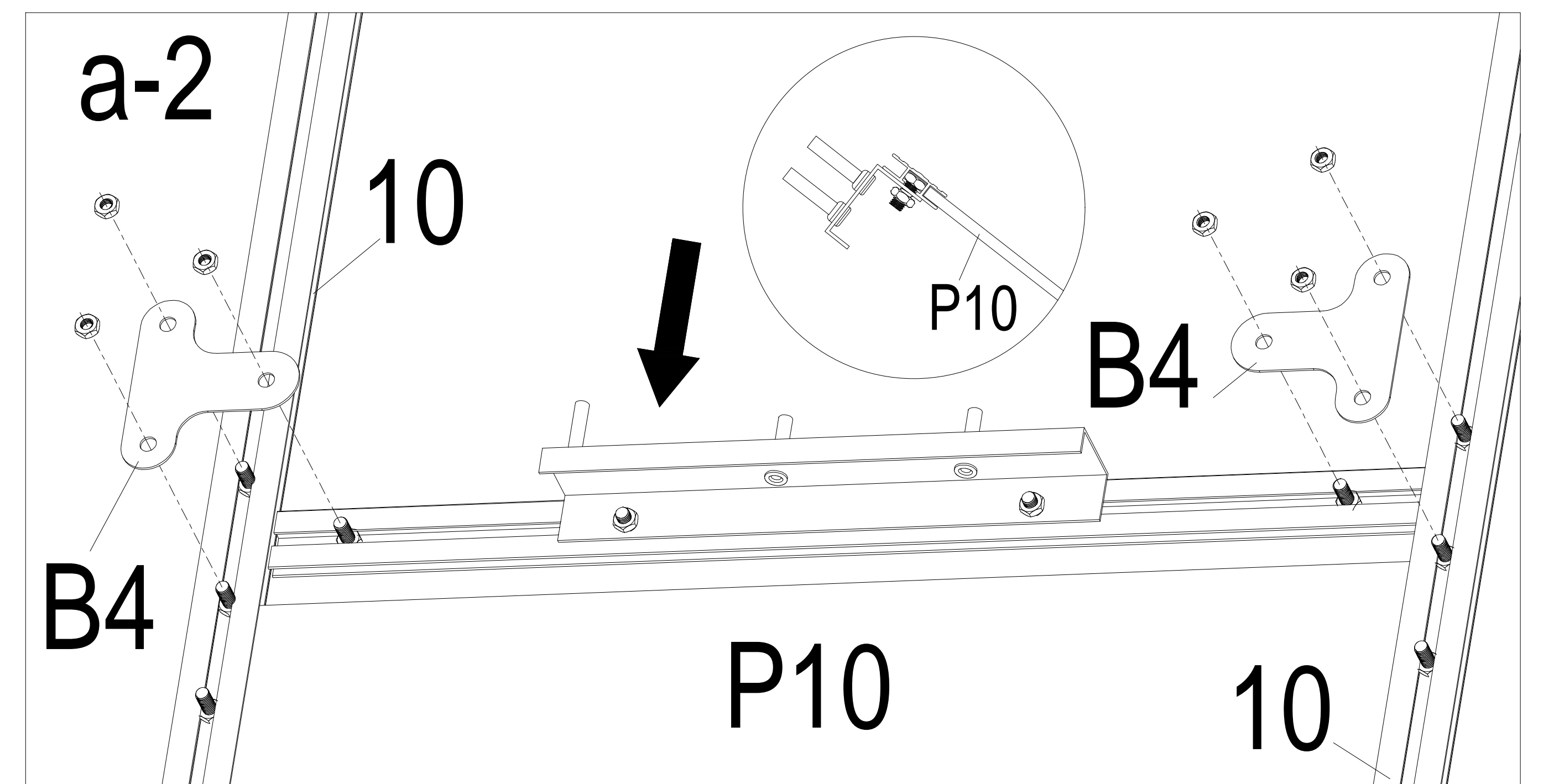
B7x2



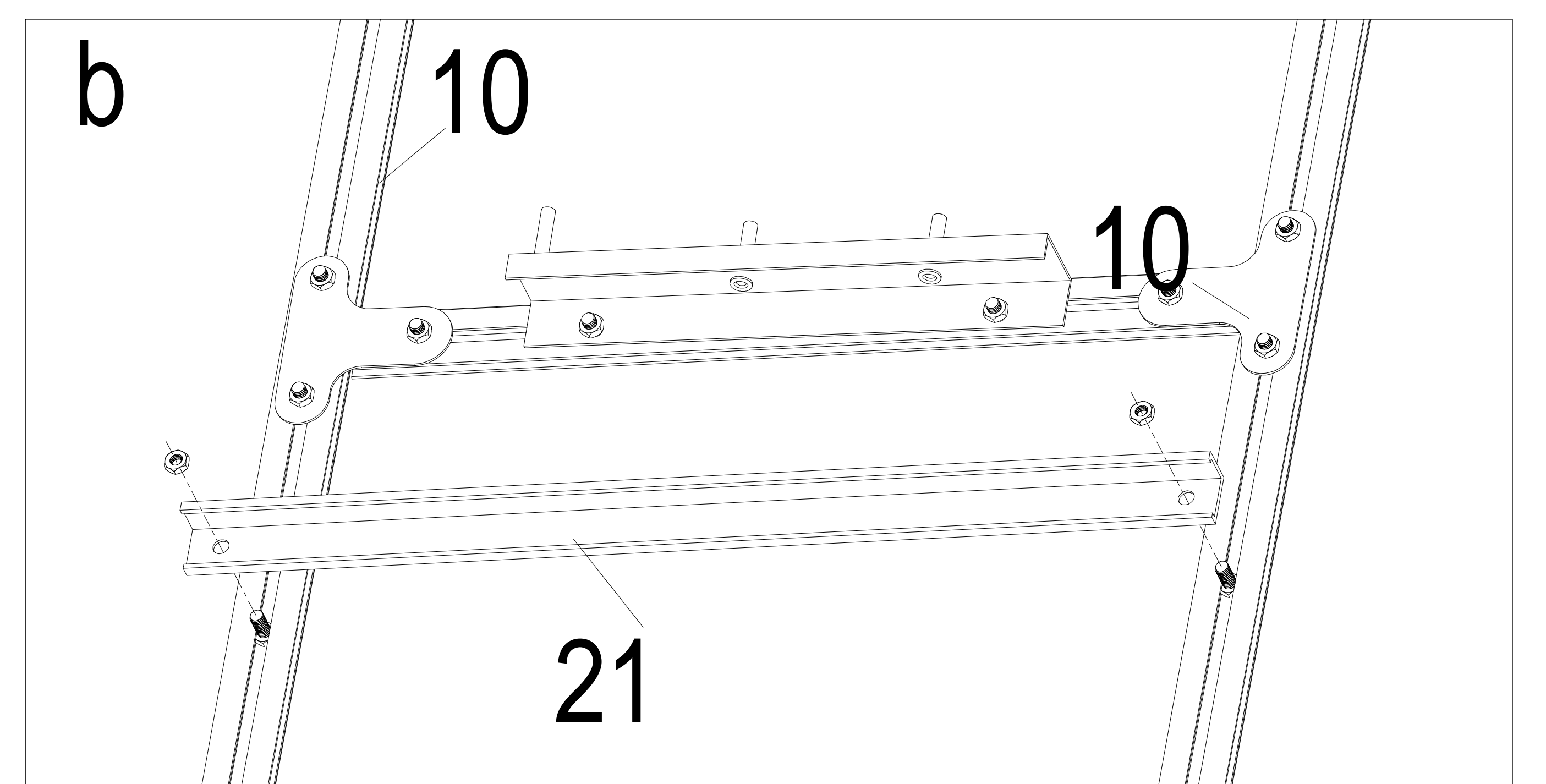
a-1

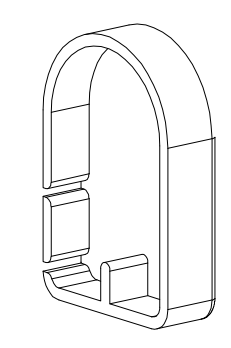


a-2

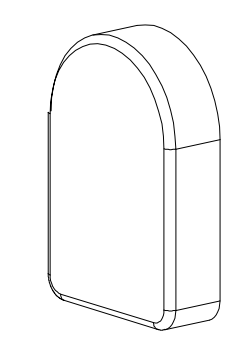


b

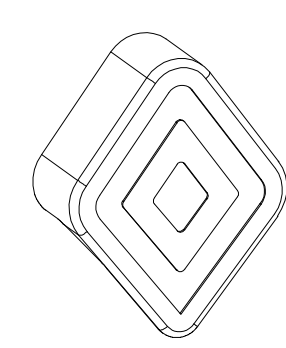




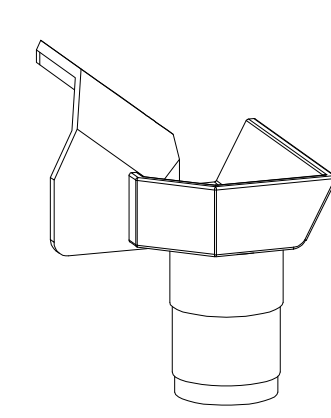
S7Lx1



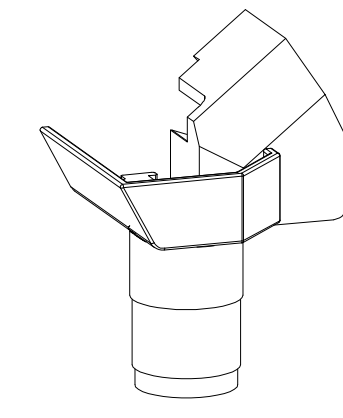
S7Rx1



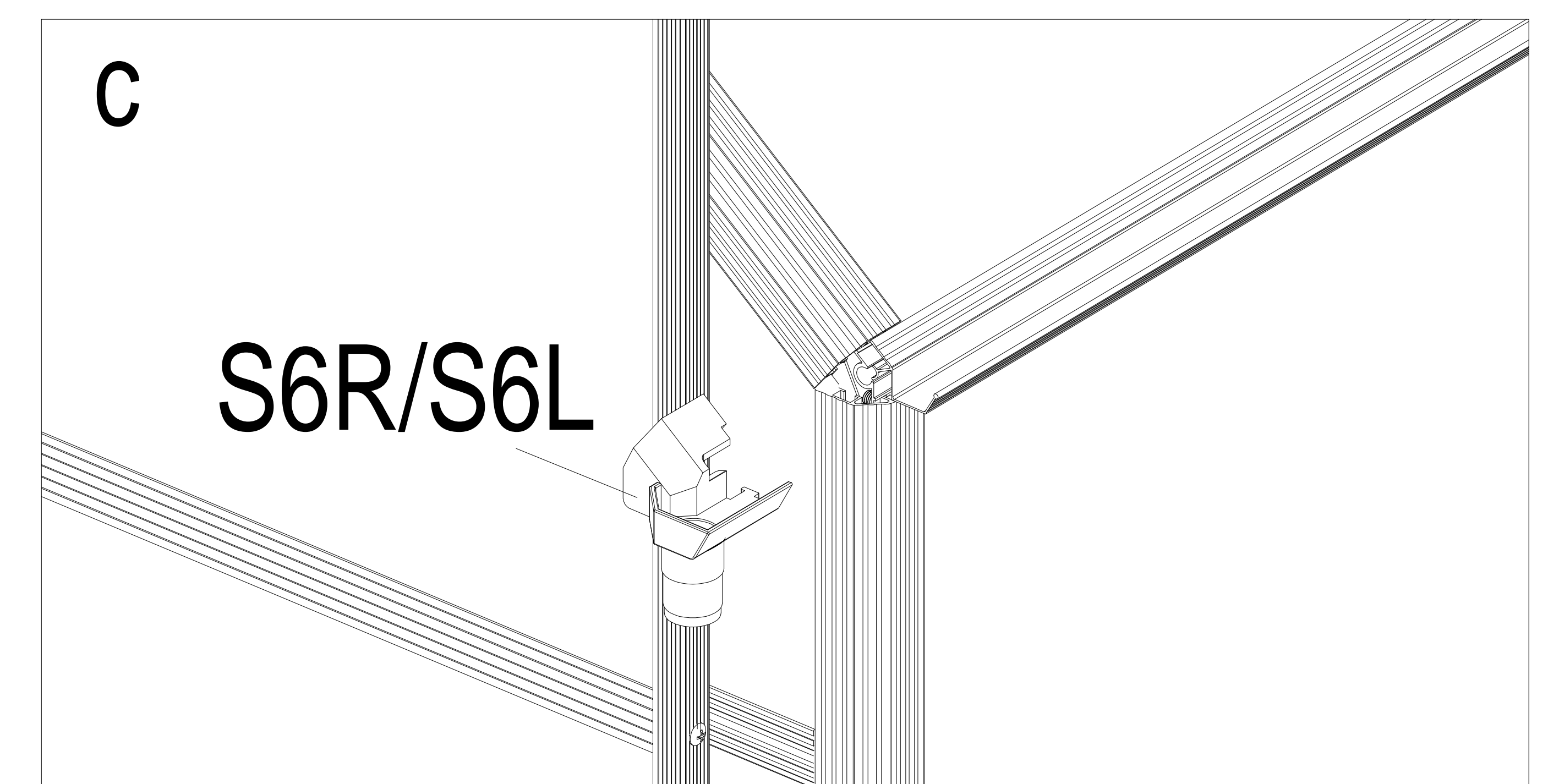
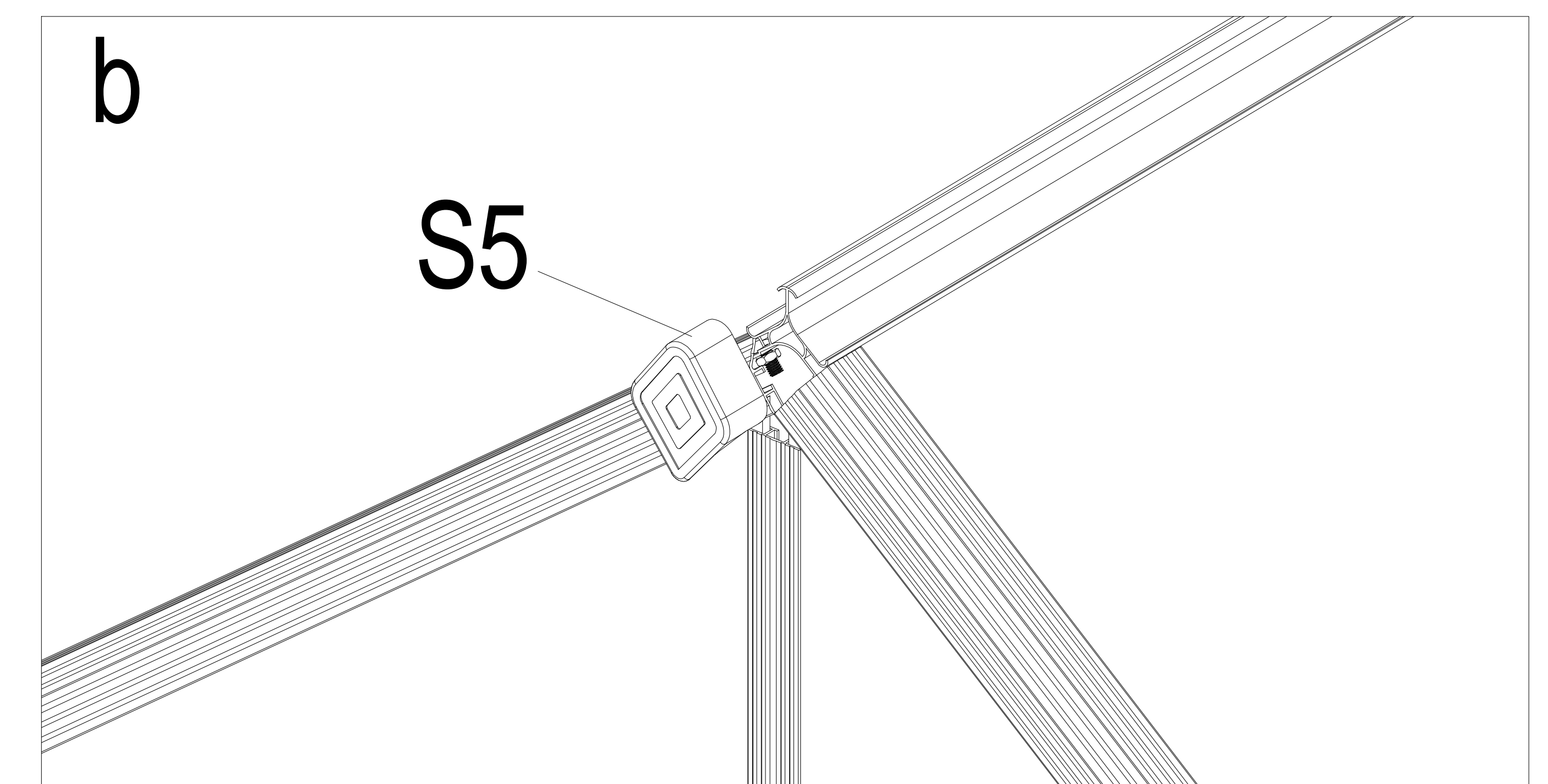
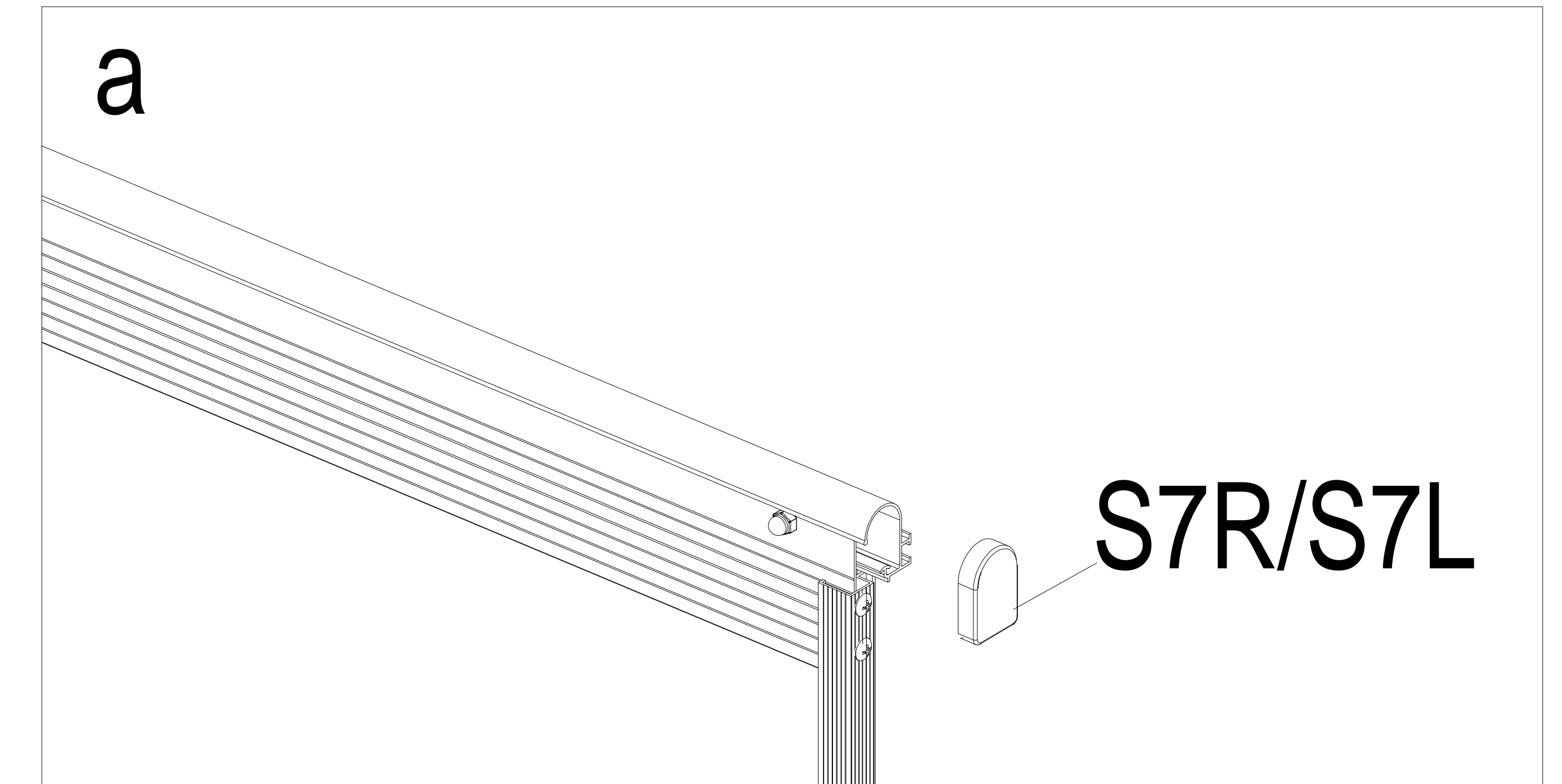
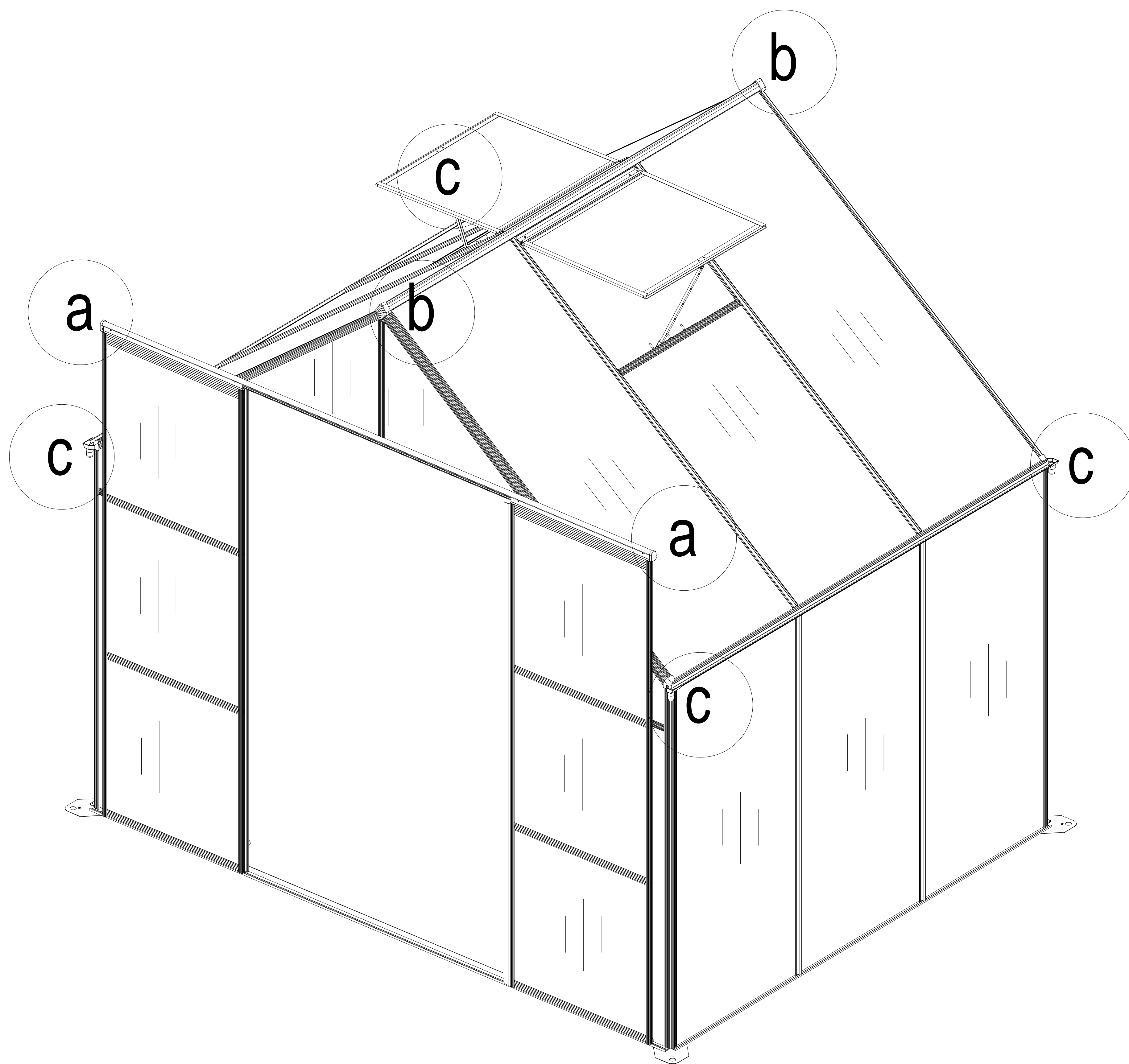
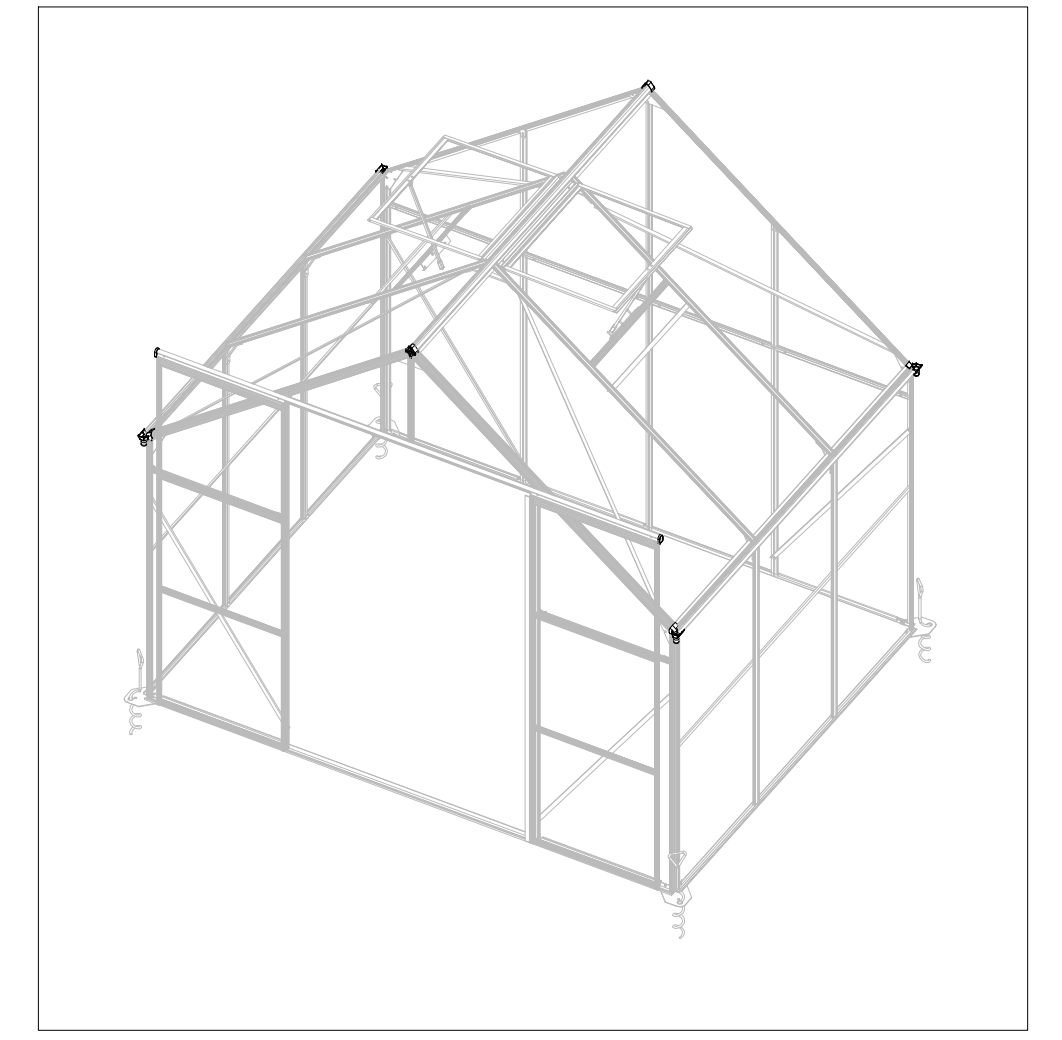
S5x2

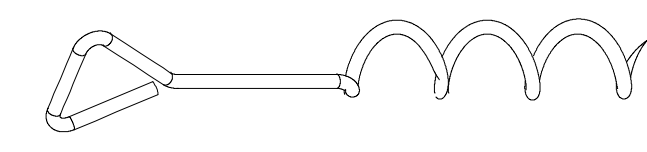


S6Lx2

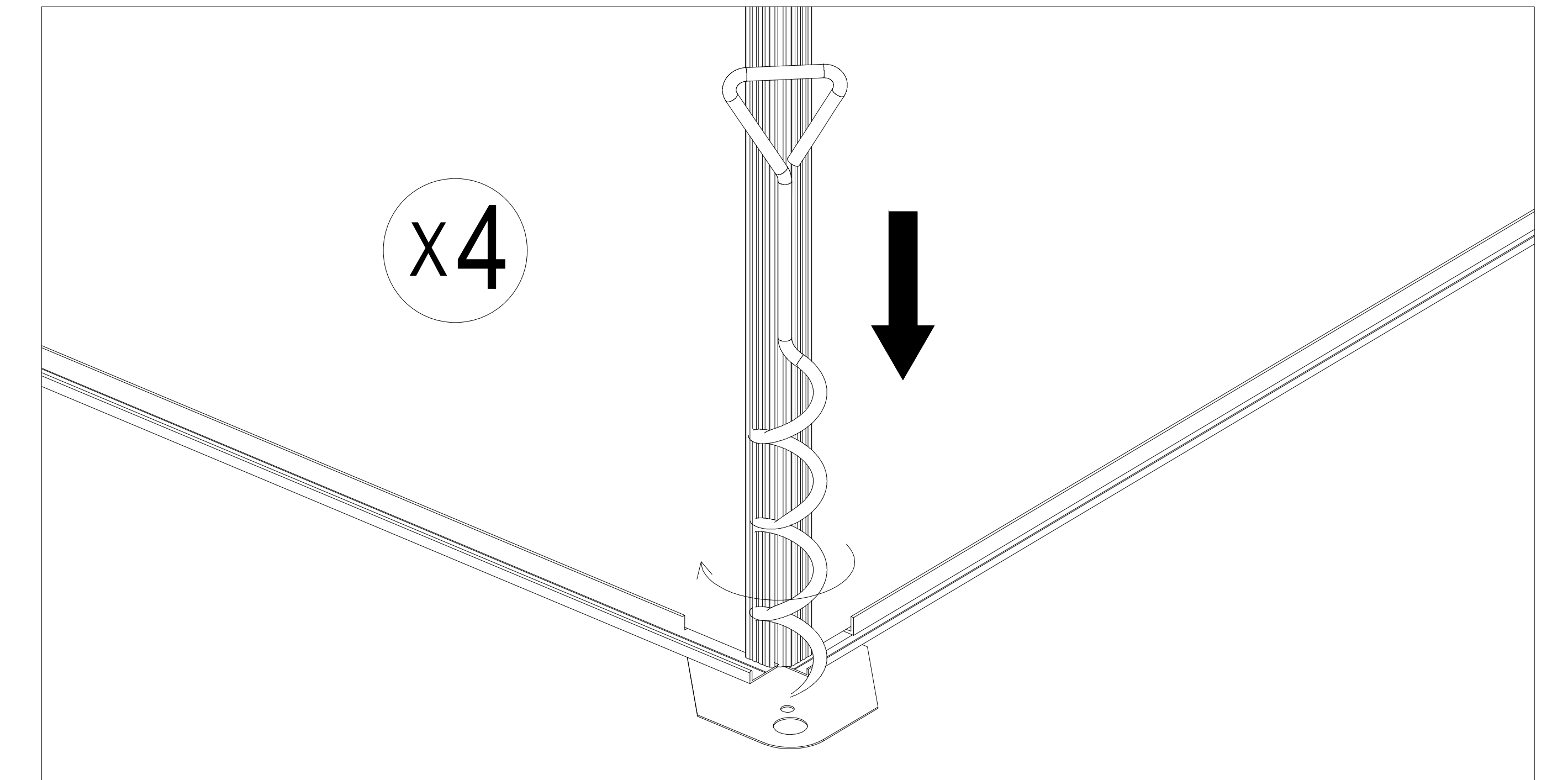
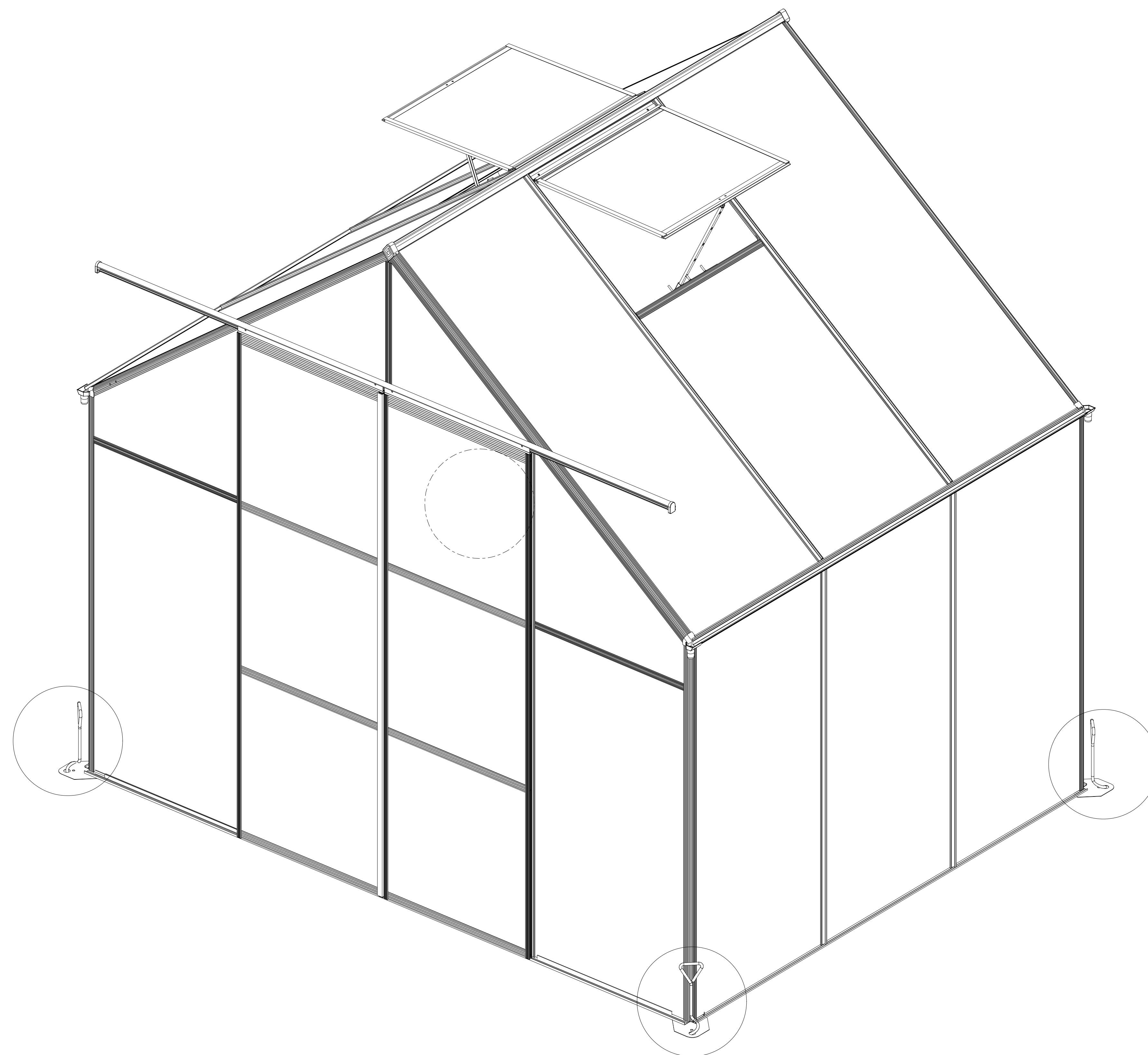
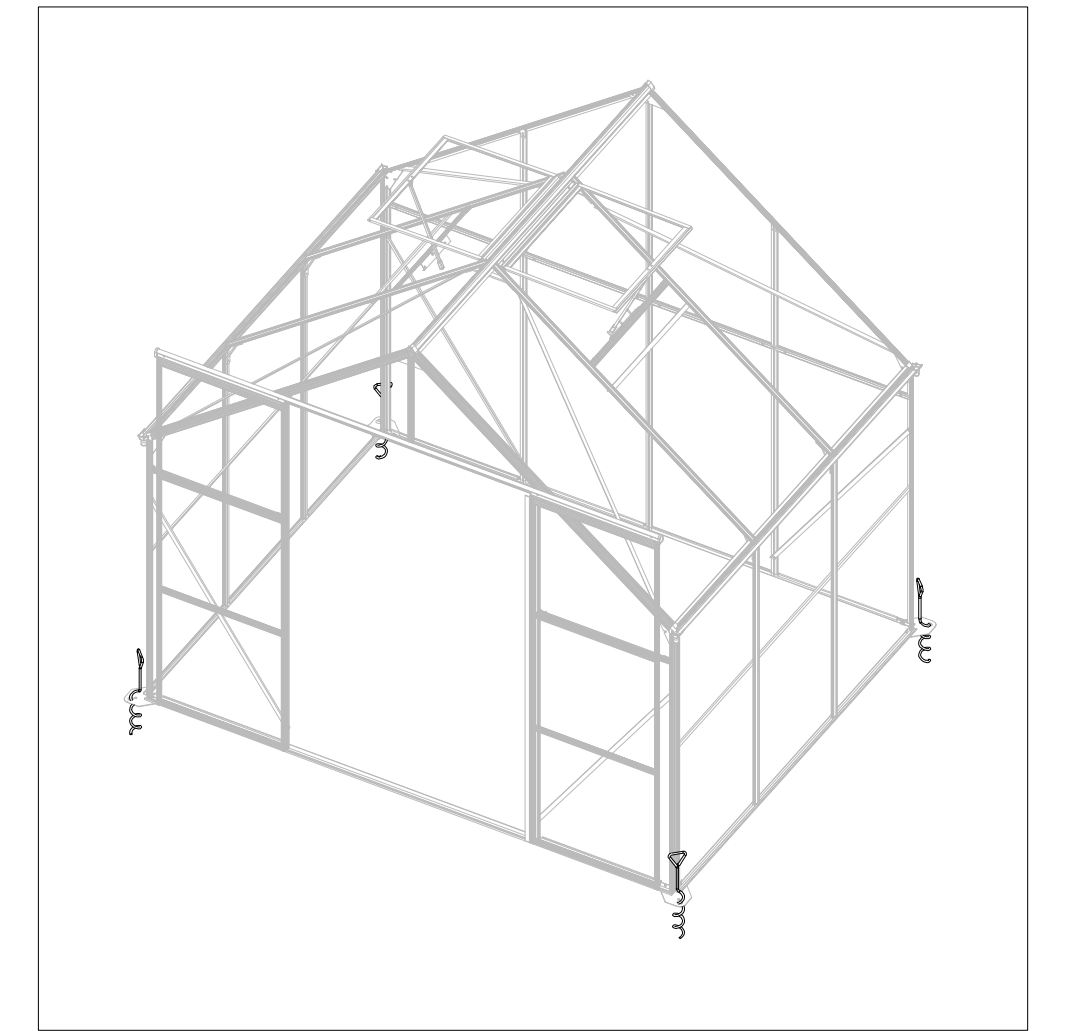


S6Rx2





B14 x4



NOTES:

PLEASE RECHECK WHETHER THE

SCREWS ARE TIGHTENED. IF

NOT, PLEASE TIGHTENED IT.