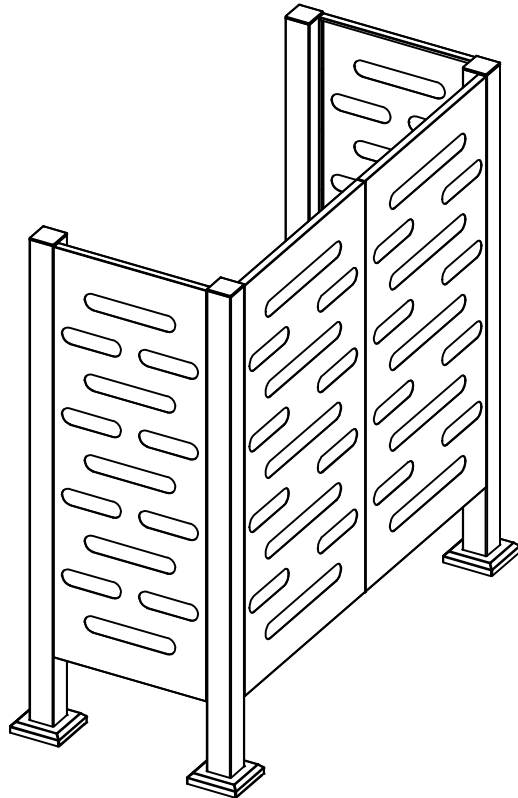


Steel Fence Cover

OWNER'S MANUAL

Instructions for Assembly



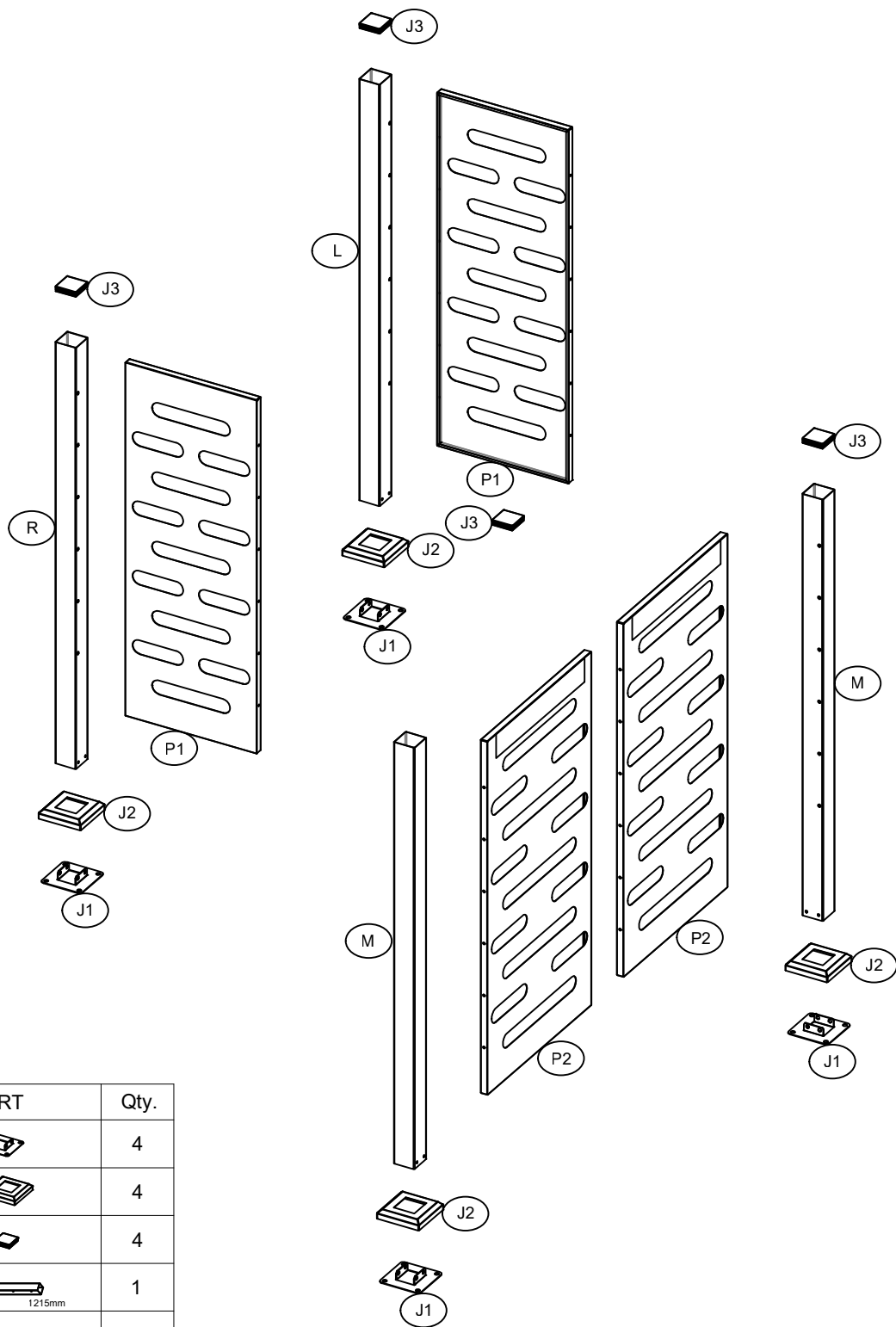
FB-RT03C




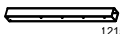
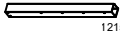
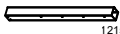







Requires two people and takes 0.2-1.5 hours for Installation.

Quick & Easy Assembly

Ridge Reinforced Walls

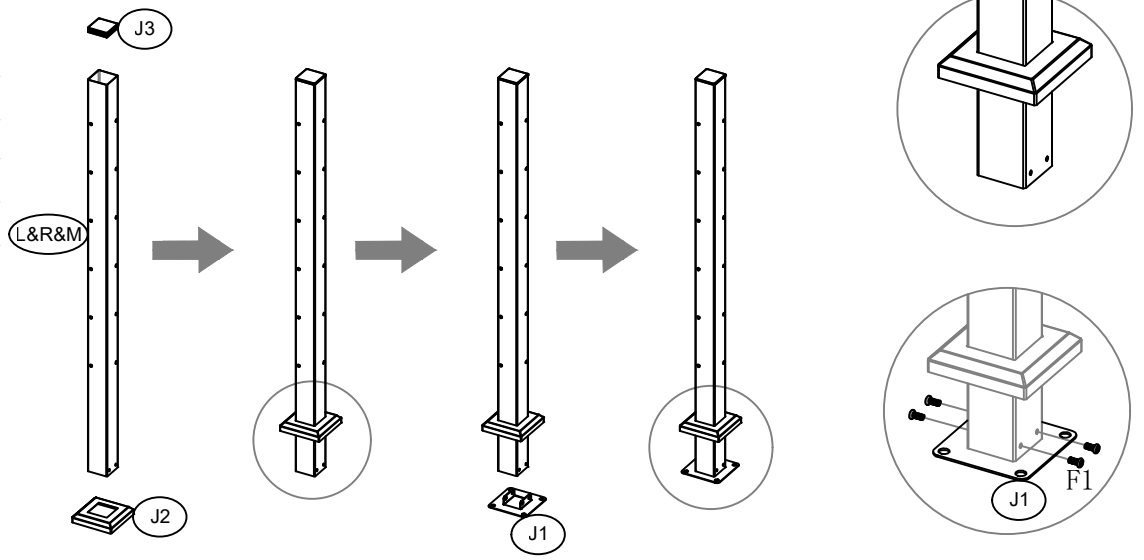
Available in Various Sizes



NO.	PART	Qty.
J1		4
J2		4
J3		4
L	 1215mm	1
R	 1215mm	1
M	 1215mm	2
P1	 1020mm	2
P2	 1020mm	2
F1		58
F0		6
A6		16
A7		16
S3		16

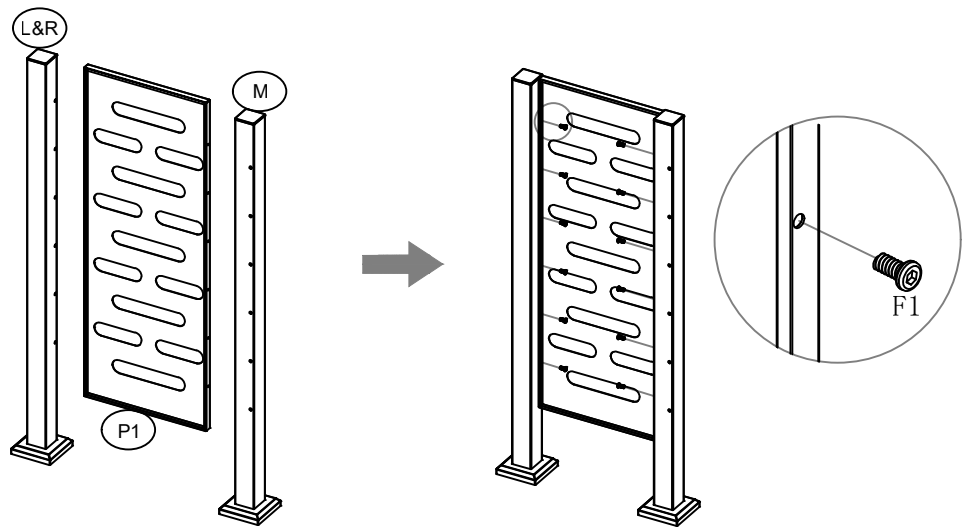
NO.	PART	Qty.
J2		4
J3		4
L		1
R		1
M		2
J1		4

X4

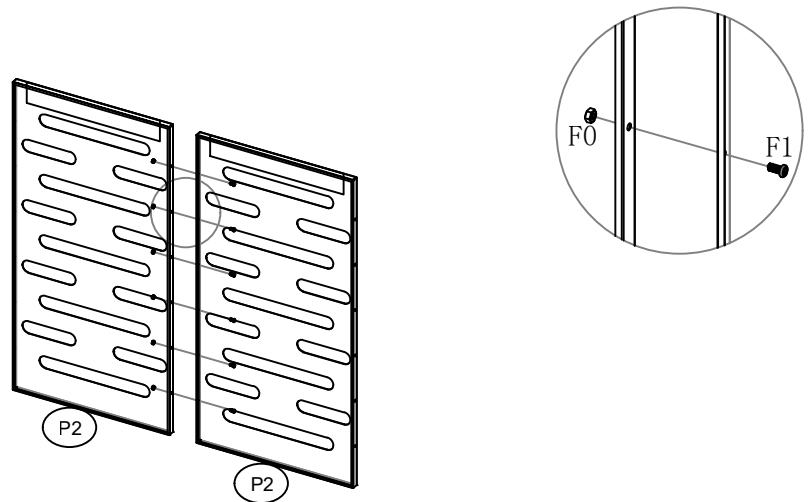


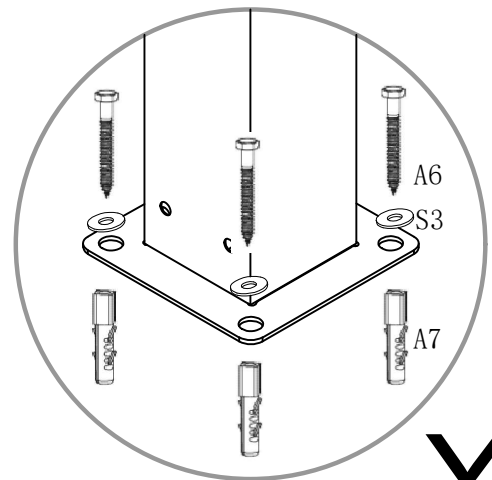
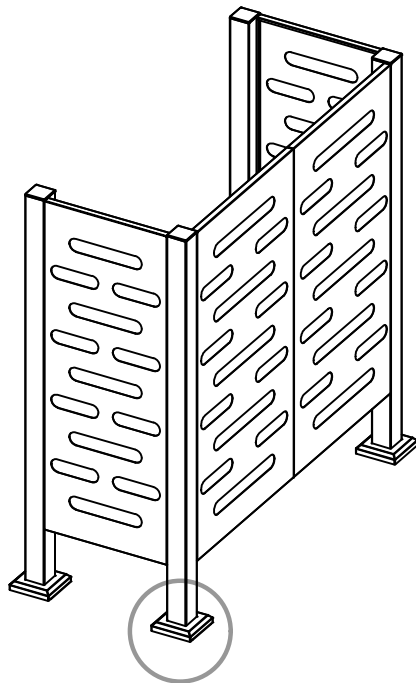
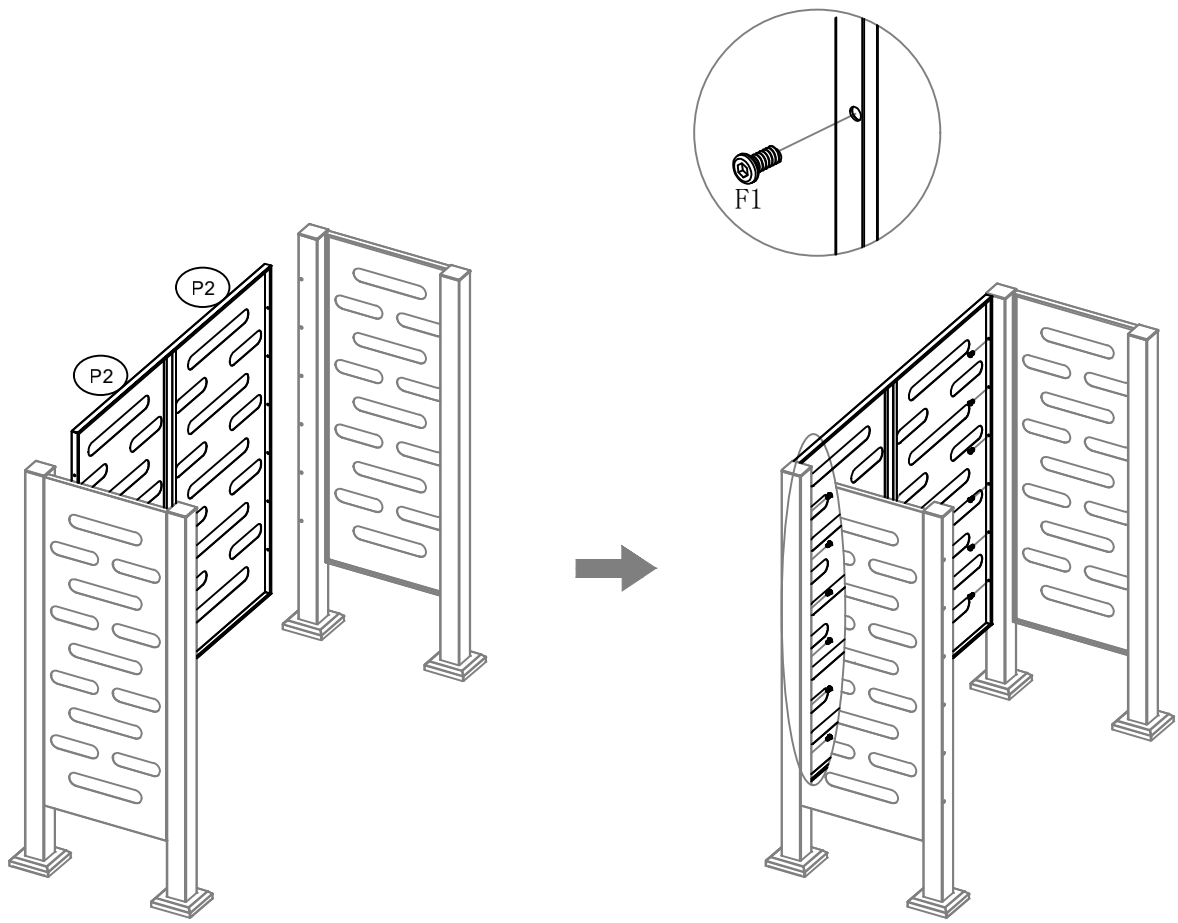
NO.	PART	Qty.
P1		2

X2



NO.	PART	Qty.
P2		2





X4