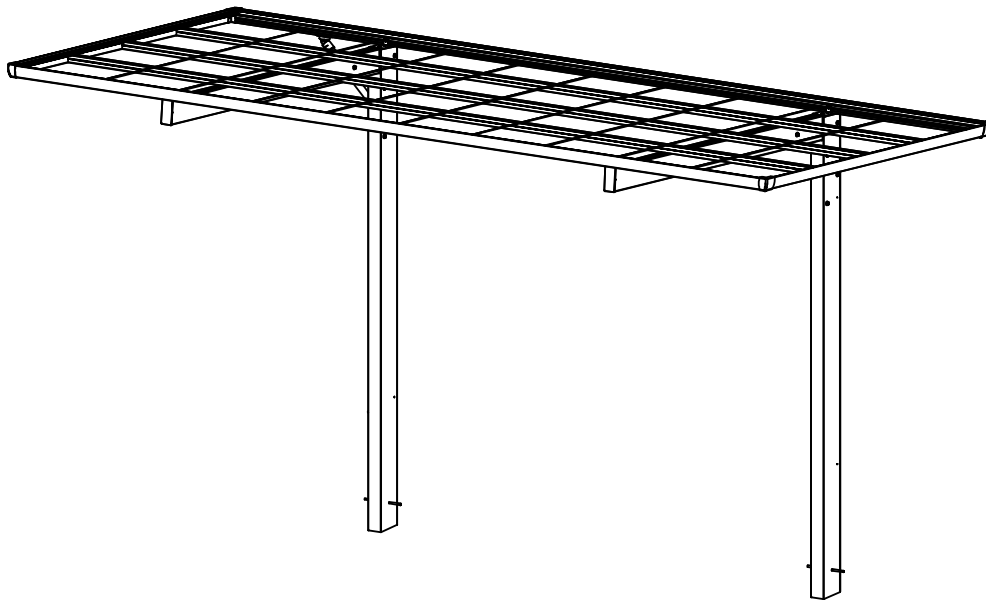


Carport

Assembly Instructions



CD530C

You must read these instructions carefully before starting to assemble this carport. Please
Make sure you find the correct type and quantity of all parts in the carton as described in the instructions
Lists explained in each page accordingly.
Follow these steps in the order listed in these instructions.
Keep these instructions in a safe place for future reference.

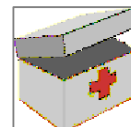
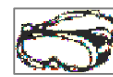
OTHER CAUTIONS

1. 3-4 people required, one is for measuring & taking marks to ensure the installation dimension, the second person is responsible for the installation and the last one do as assistant and assure the safety.
 2. High-power electric tools are required, ensure the normal work of them and highly pay attention to electric safety.
 3. Be careful when using the kind of blunt tools, like hammer.
 4. Wearing long sleeve cotton overalls, gloves and helmet during installation and wear safety glasses when using power tools.
 5. No up watching when working height, or the drops screws may hurt your eyes and suffocation causing accidentally when fall into your mouth.
 6. No climbing, No standing on the tent to avoid falling down.
 7. If injuries immediately, using the first-aid kit to stop bleeding, bind up, In case of emergency, taken immediately to a nearby medical institutions.
-

TOOLS & EQUIPMENT REQUIRED

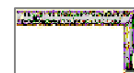
Protective Equipment:

1. Helmet
2. Glove
3. Long Sleeve Cotton Overalls
4. Emergency Medicine Cabinet
5. Eye Shield



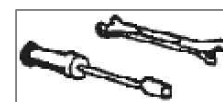
Measure (metric):

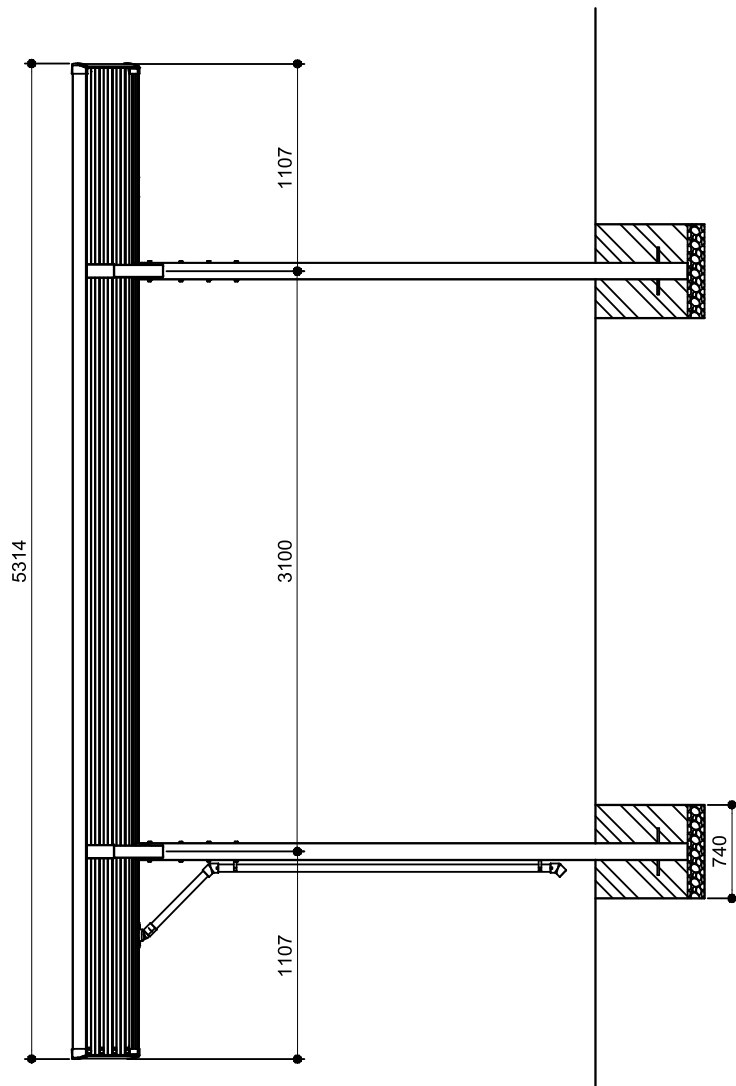
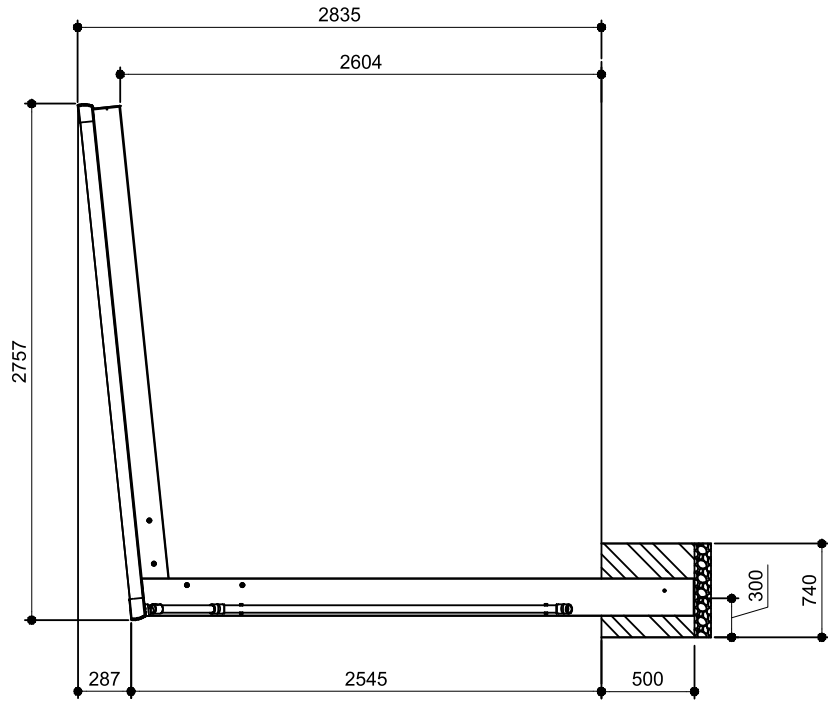
1. The Tape (5 m)
2. Angle Square
3. Level Meter

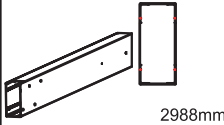
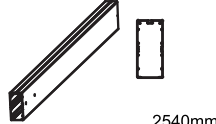
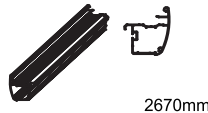

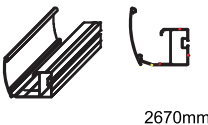
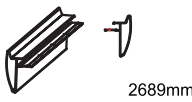
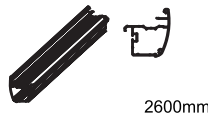

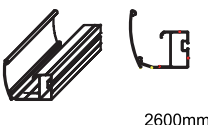
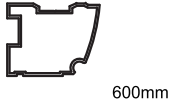
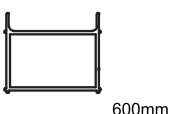
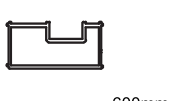





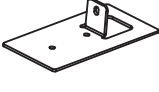








Installation Tool:

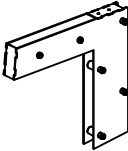




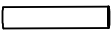

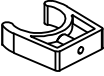
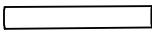
1. Spanner 8mm (Ratchet Wrench is better)
2. Electric screwdriver + 8mm hex bolt sleeve (suggest)
3. Wooden Mallet
4. Marking Pen
5. Silicon
6. Knife
7. Phillips screwdriver


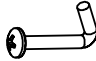


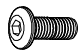
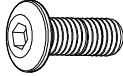

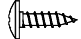





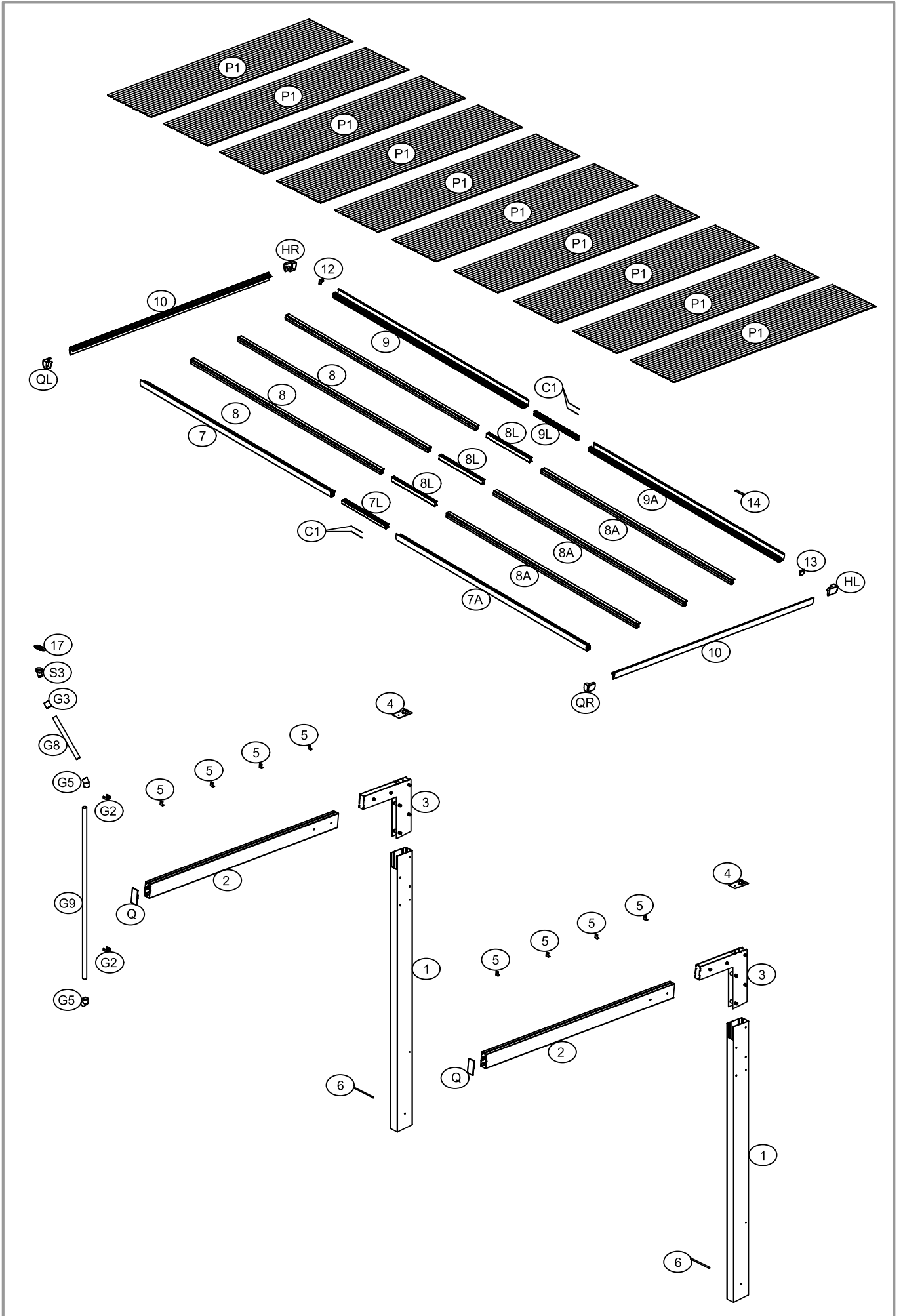


Part Number	Shapes	Qty.
1	 2988mm	2
2	 2540mm	2
7	 2670mm	1
8	 2670mm	3
9	 2670mm	1
10	 2689mm	2
7A	 2600mm	1
8A	 2600mm	3
9A	 2600mm	1
7L	 600mm	1
8L	 600mm	3
9L	 600mm	1

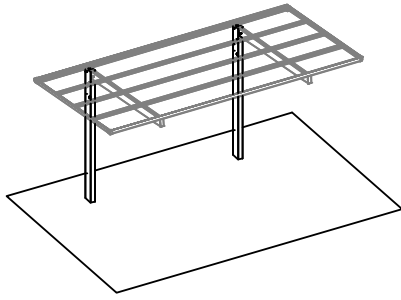
Part Number	Shapes	Qty.
12		1
13		1
14	 110mm	1
4	 183mm	2
5	 43mm	8
6	 250mm	2
C1	 150mm	4
P1	 2740mm	10
QL		1
QR		1
HL		1
HR		1

Part Number	Shapes	Qty.
3		2
Q		2
17		1
S3		1
G3	 54mm	1
G8	 450mm	1
G5		2
G2		2
G9	 1850mm	1

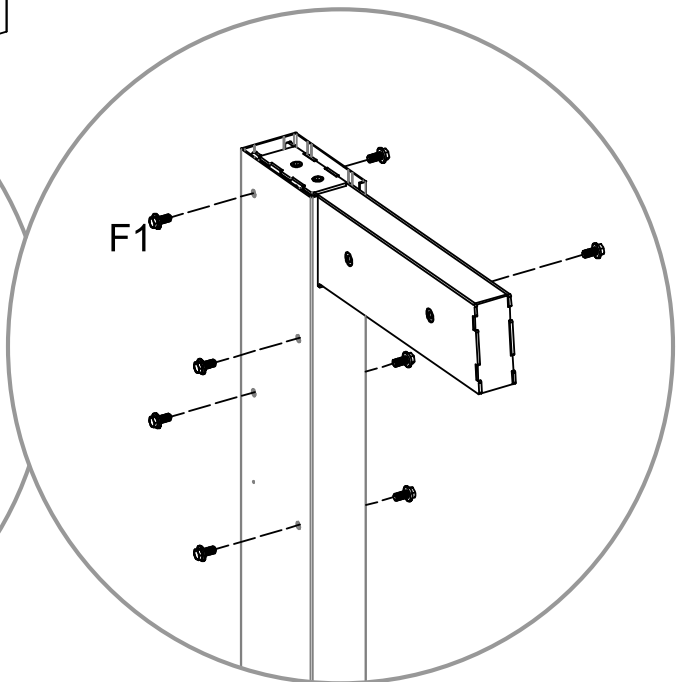
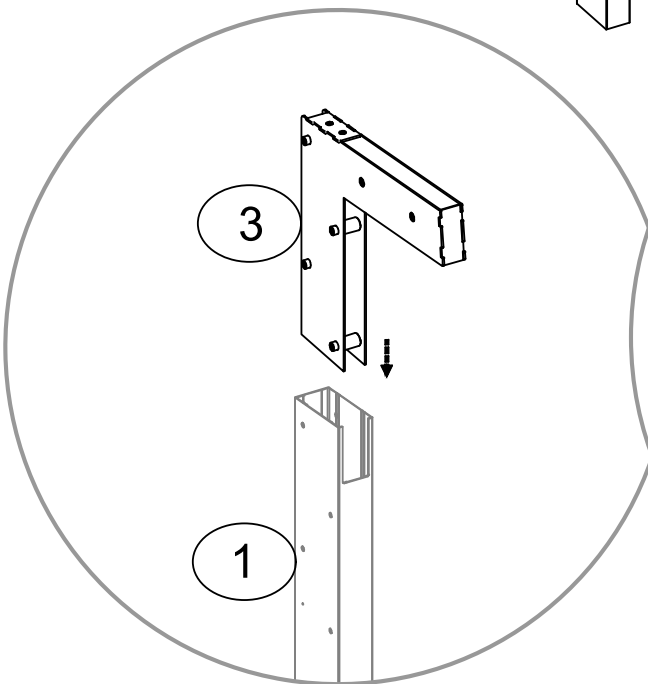
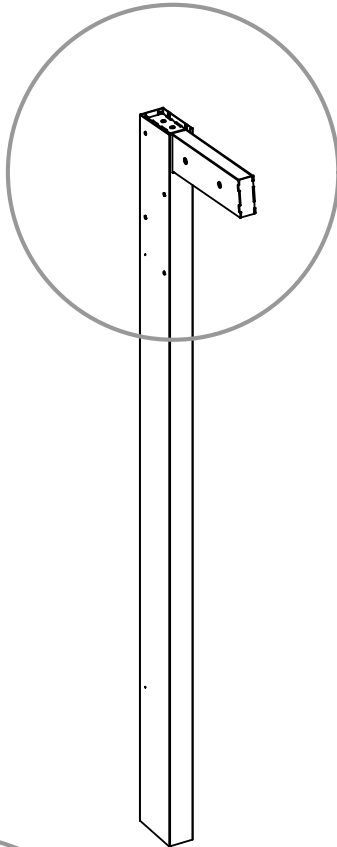
Part Number	Shapes	Qty.
S2		110
F4		110
F1	 M10x20	24
F2	 M6x12	20
F3	 M6x16	12
F7	 M8x30	4
F6	 ST4.8x35	2
F8	 ST4x16	10
S1		110
F9	 ST4x16	48
Ø4		1



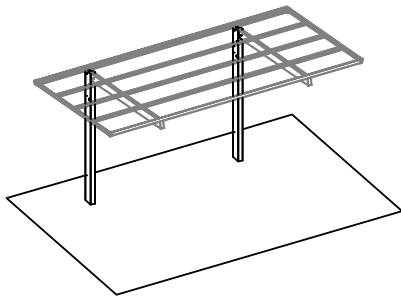
Step 1




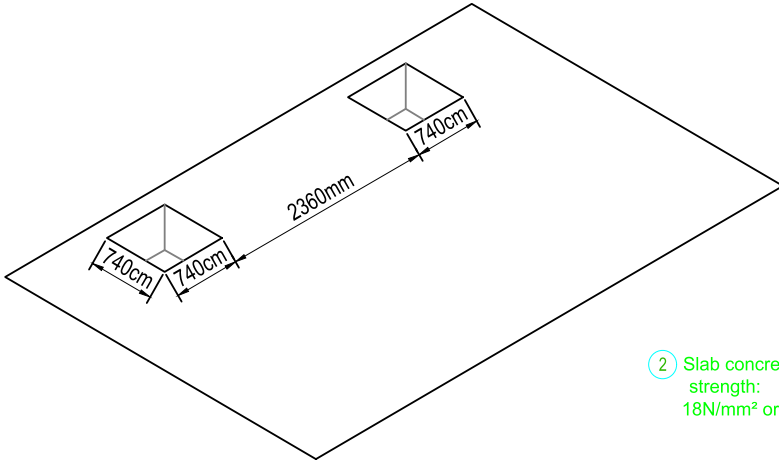
Part Number	Shapes	Qty.
3		2
1	 2988mm	2



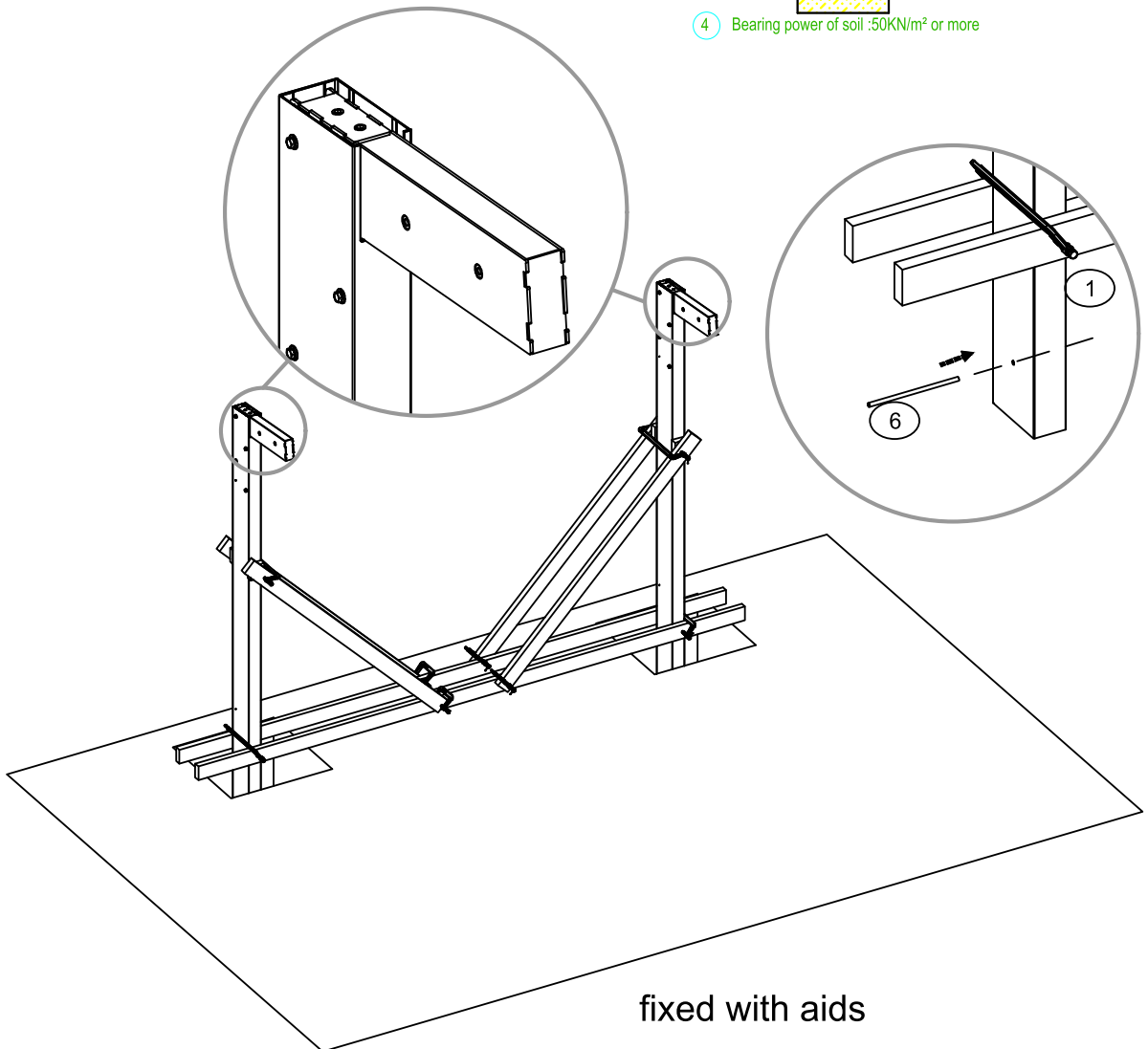
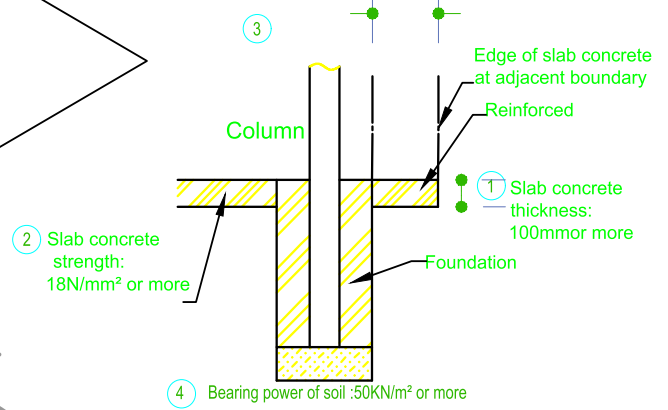
Step 1



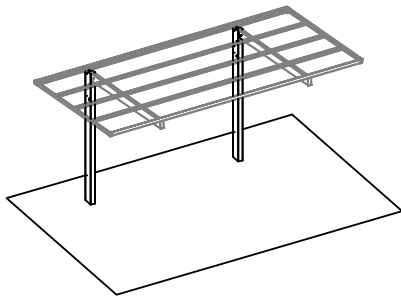
Part Number	Shapes	Qty.
6	 250mm	2

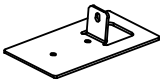


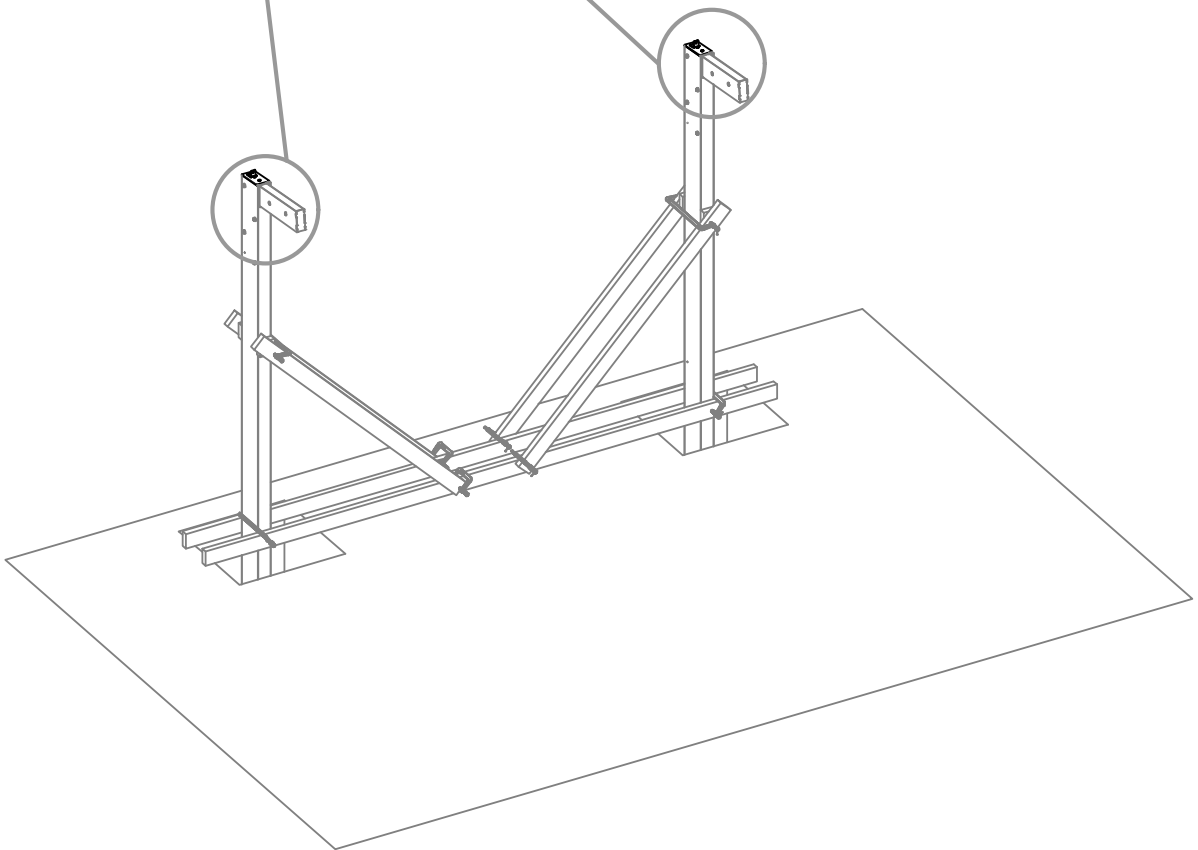
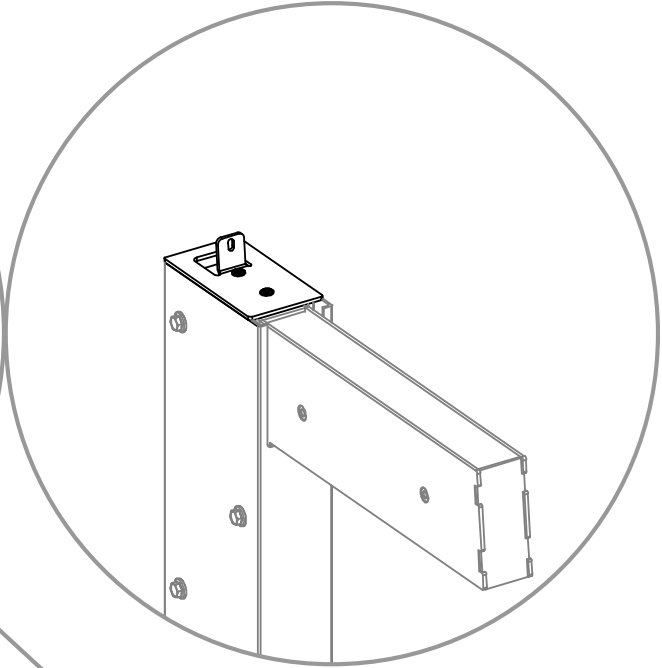
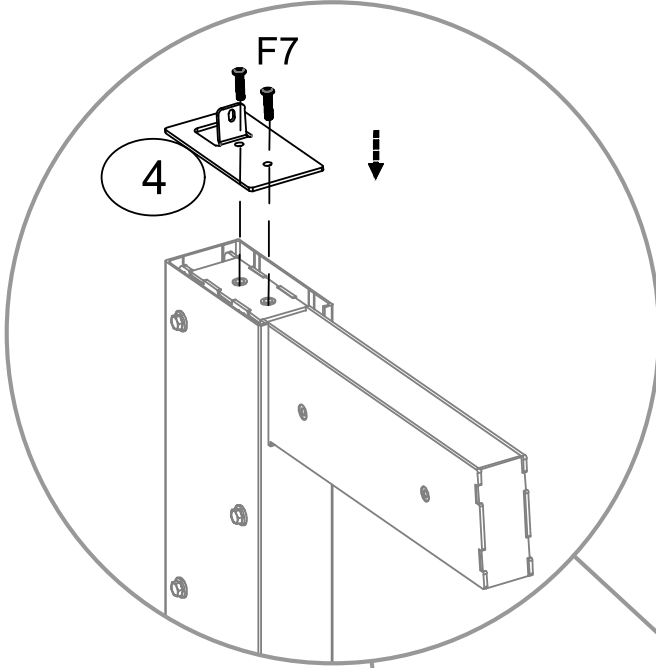
Edge distance: 200mm or more



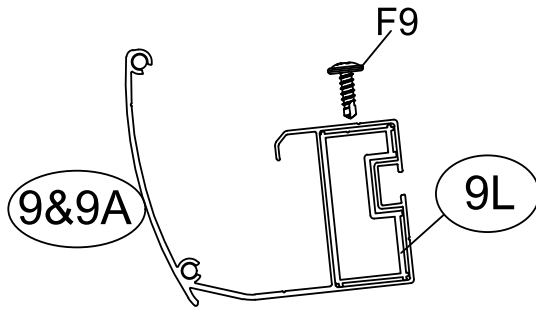
Step 1

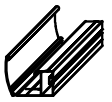

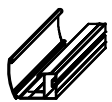
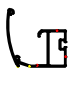




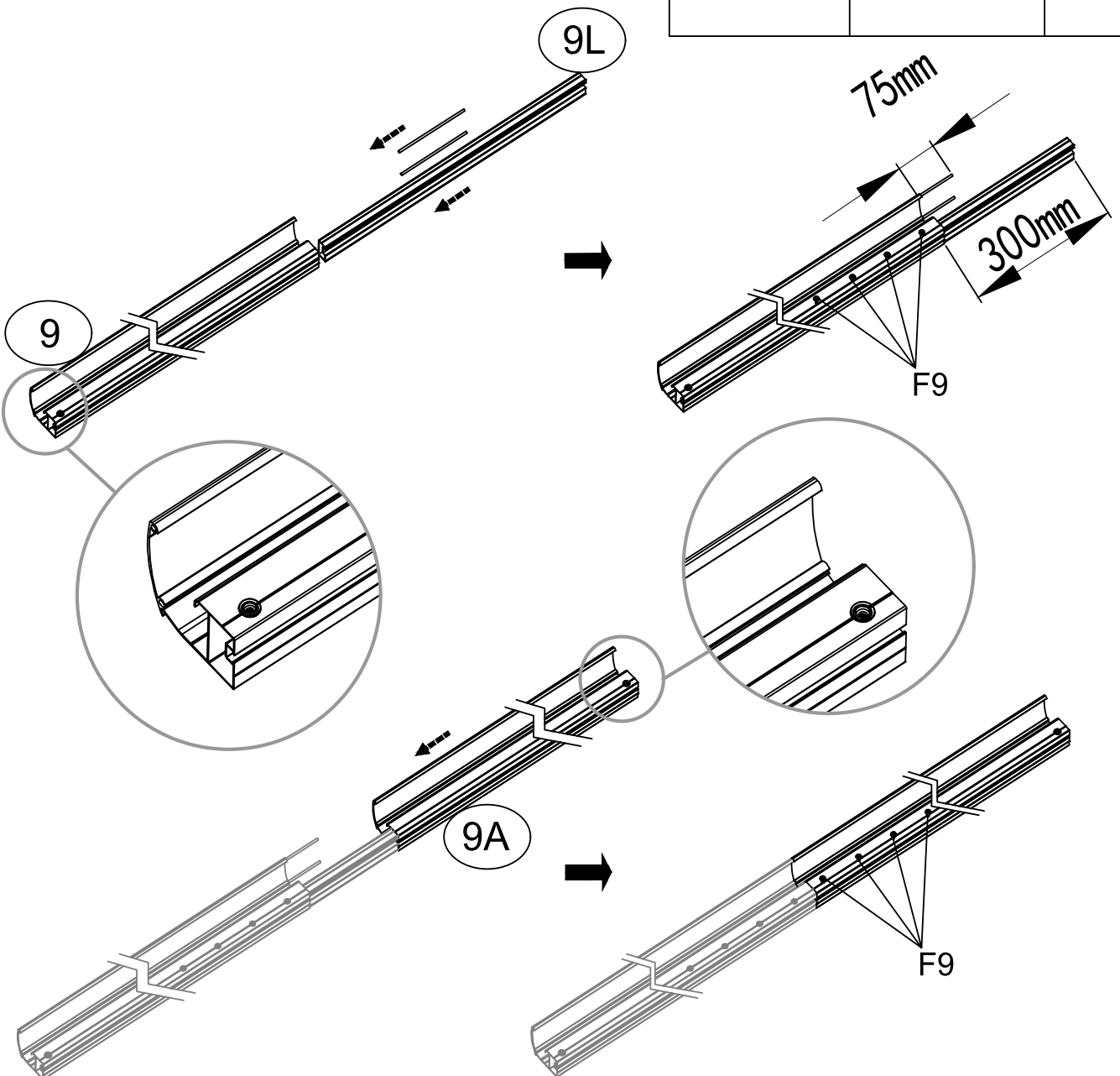
Part Number	Shapes	Qty.
4		2



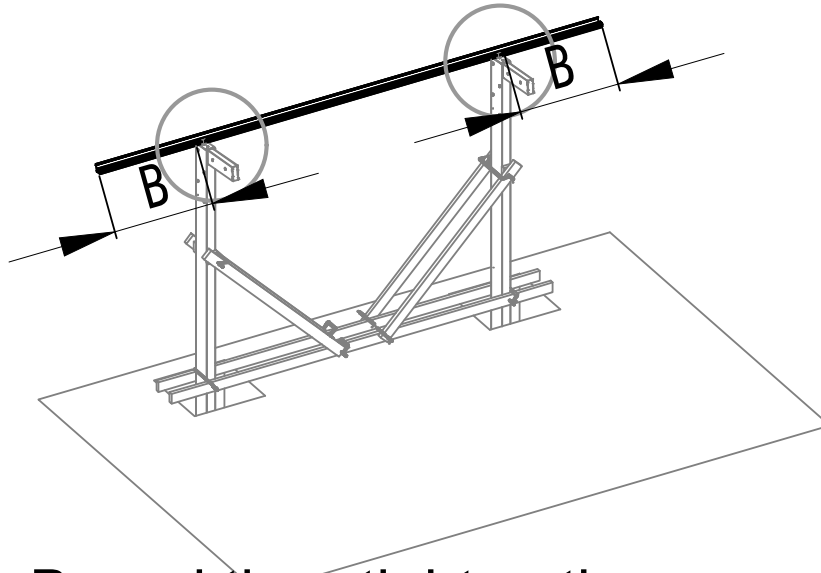
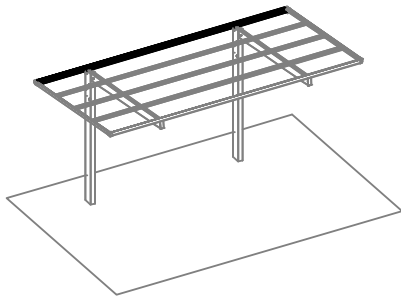
Step 1



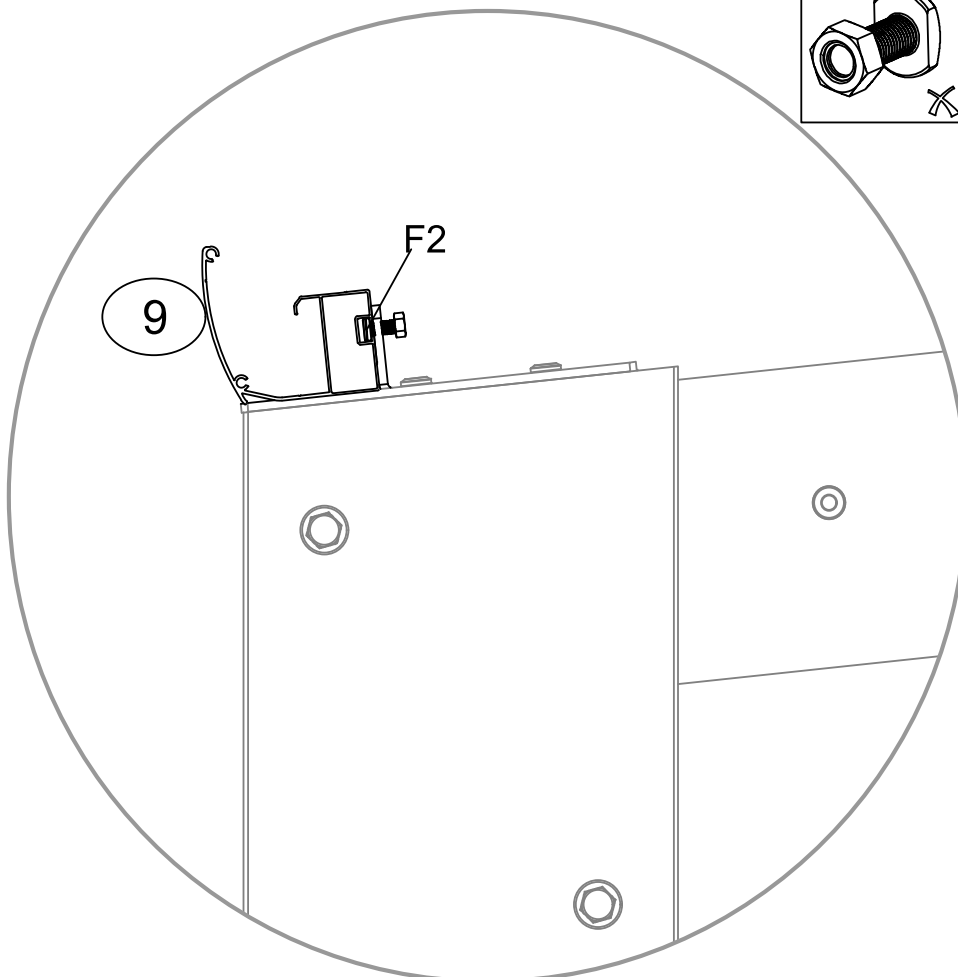
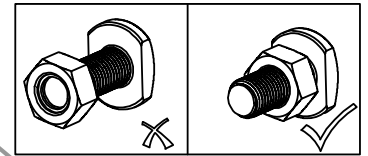
Part Number	Shapes	Qty.
9	 	1
9A	 	1
C1		2
9L		1



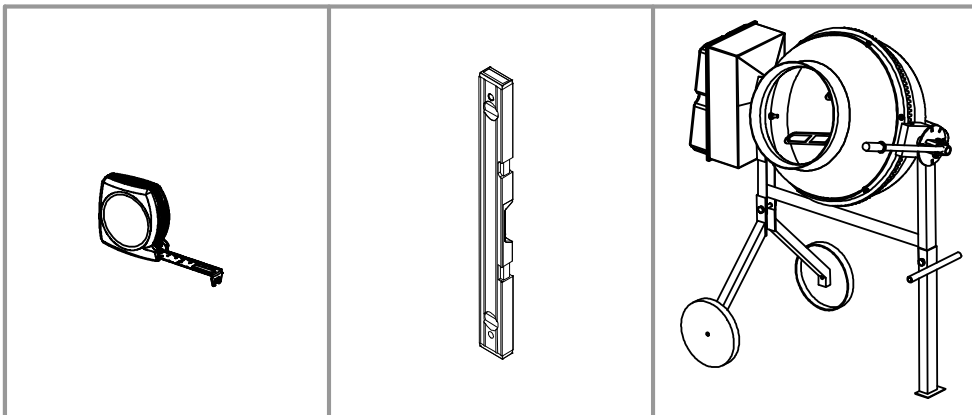
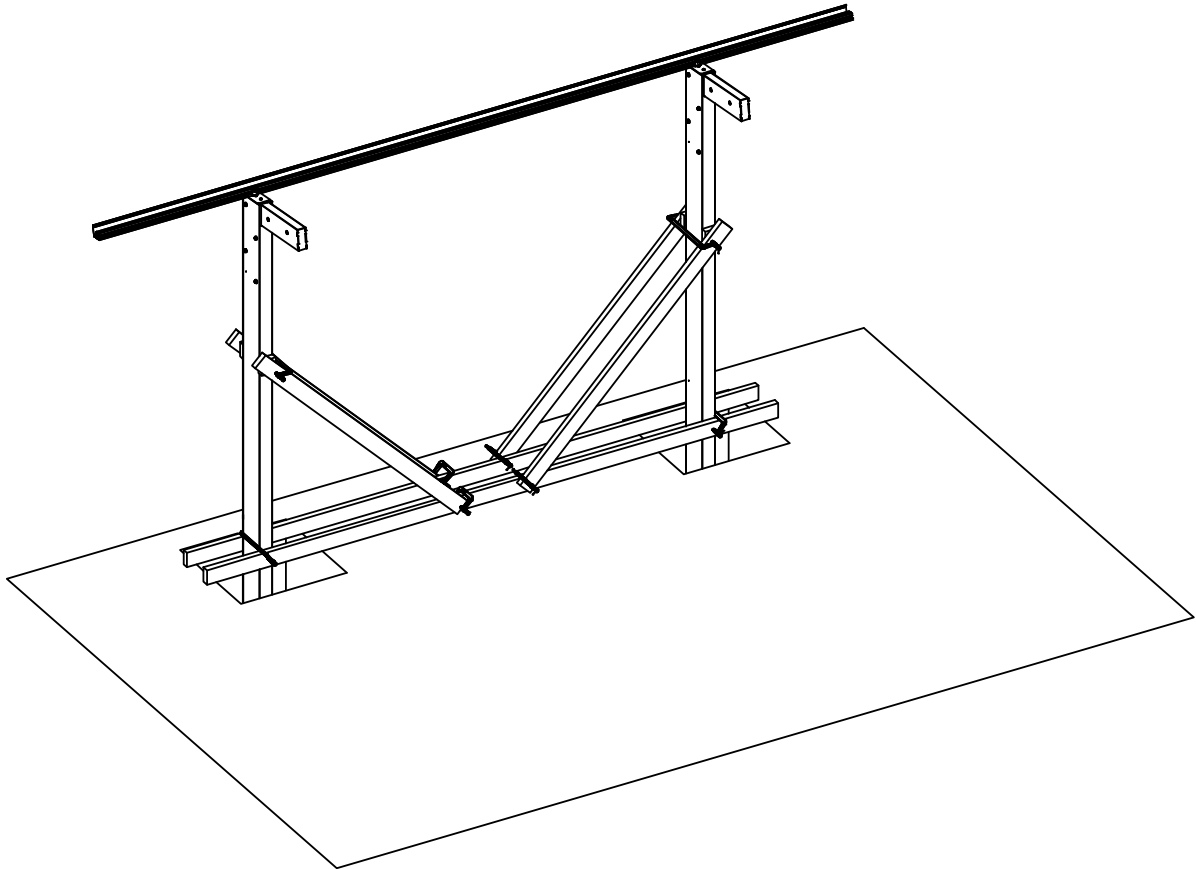
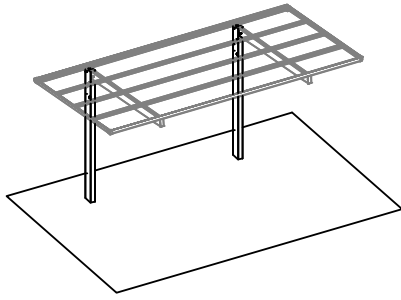
Step 1



Check $B=B$, and then tighten the screws.

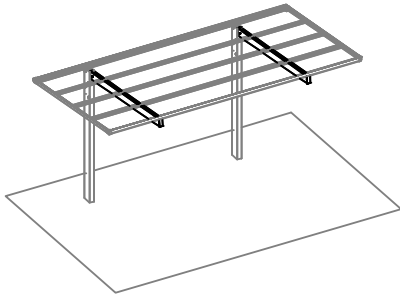


Step 1

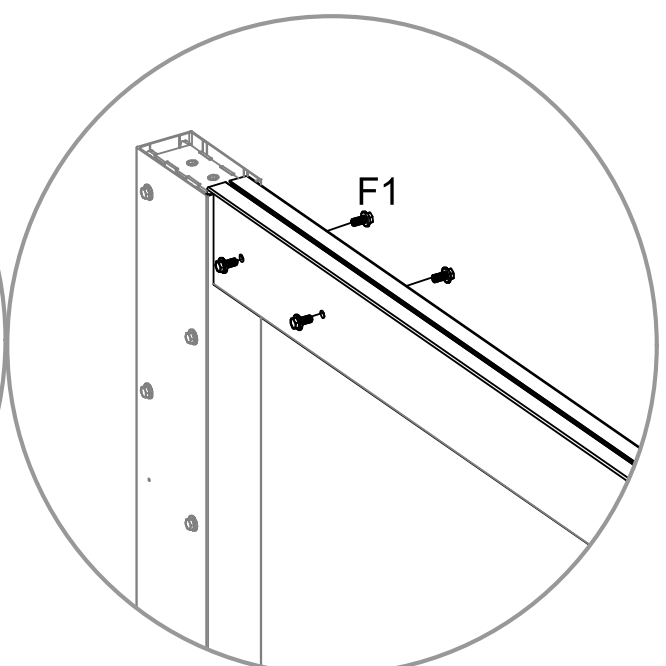
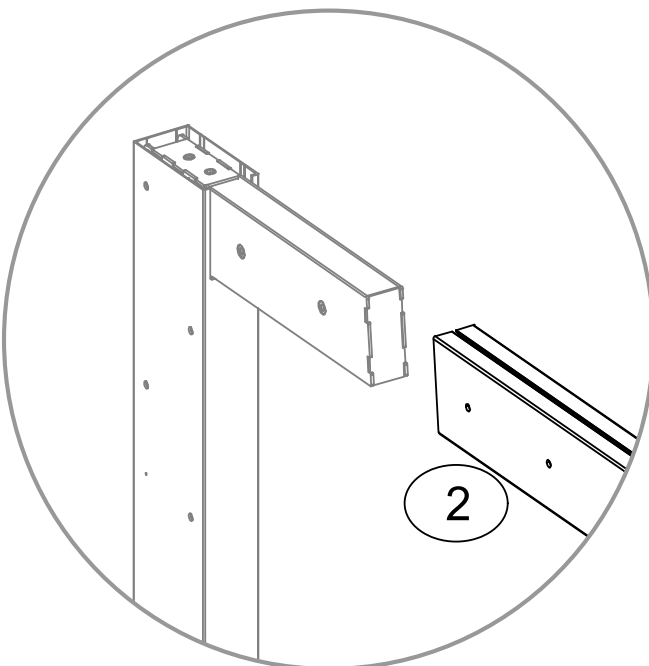
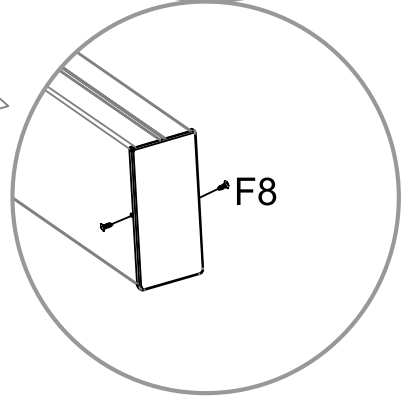
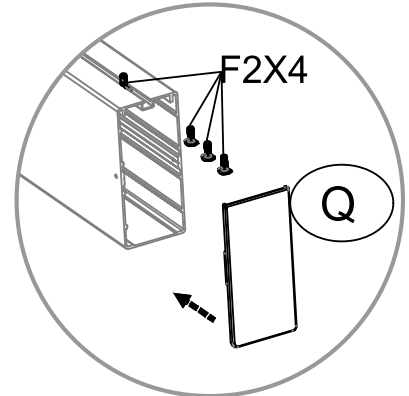
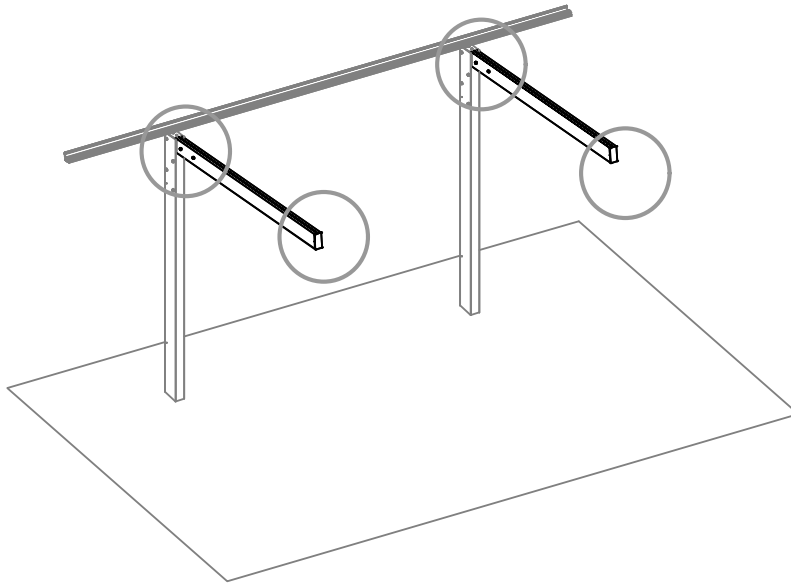


Need to use the above tools for level adjustment and cement pouring.

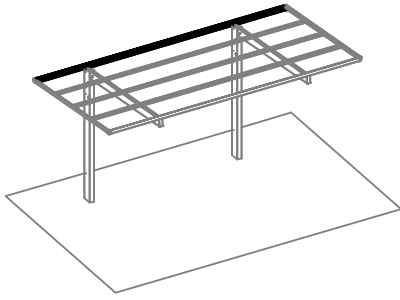
Step 2





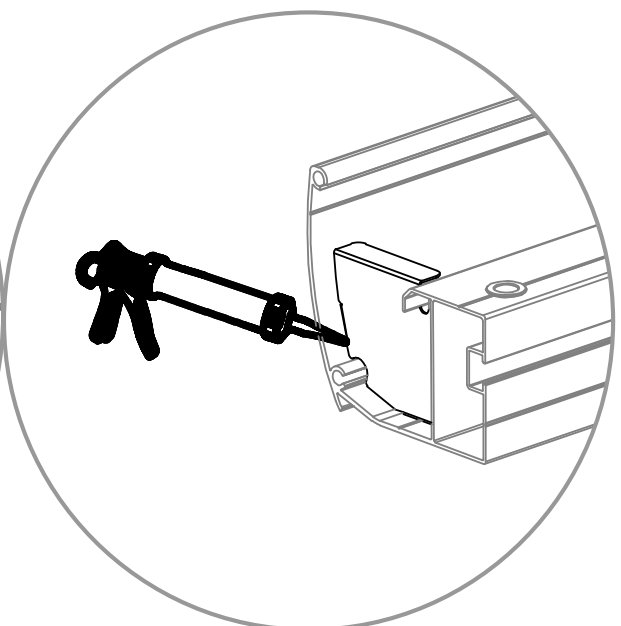
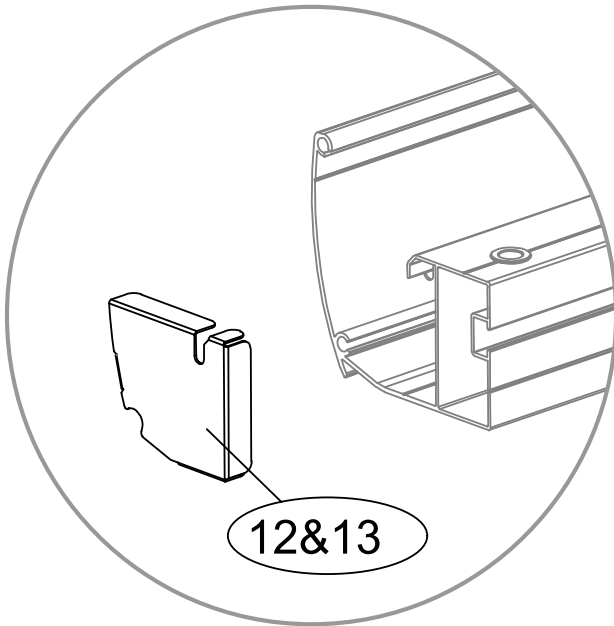
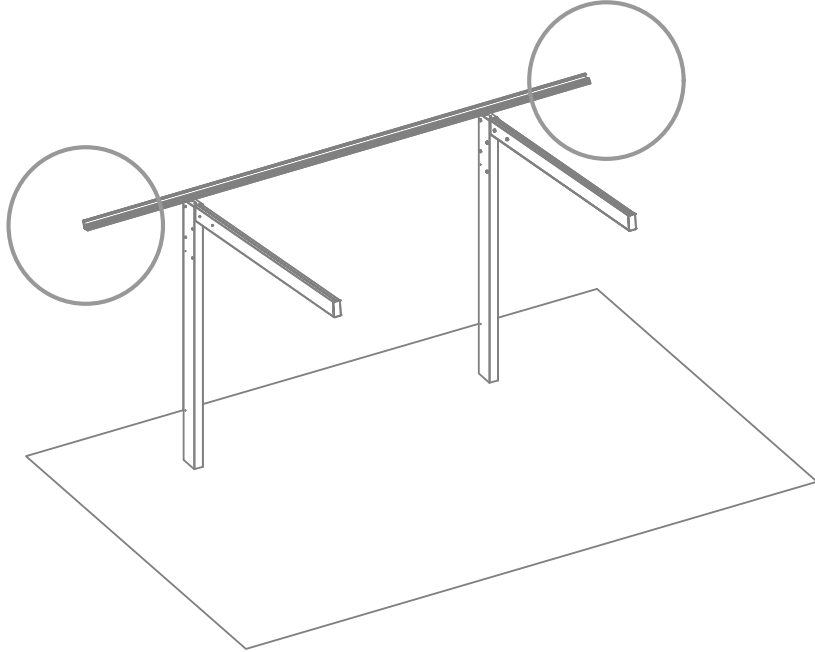
Part Number	Shapes	Qty.
2		2
Q		2



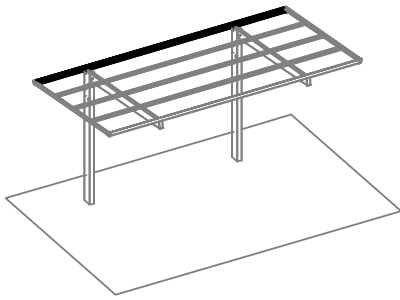
Step 3




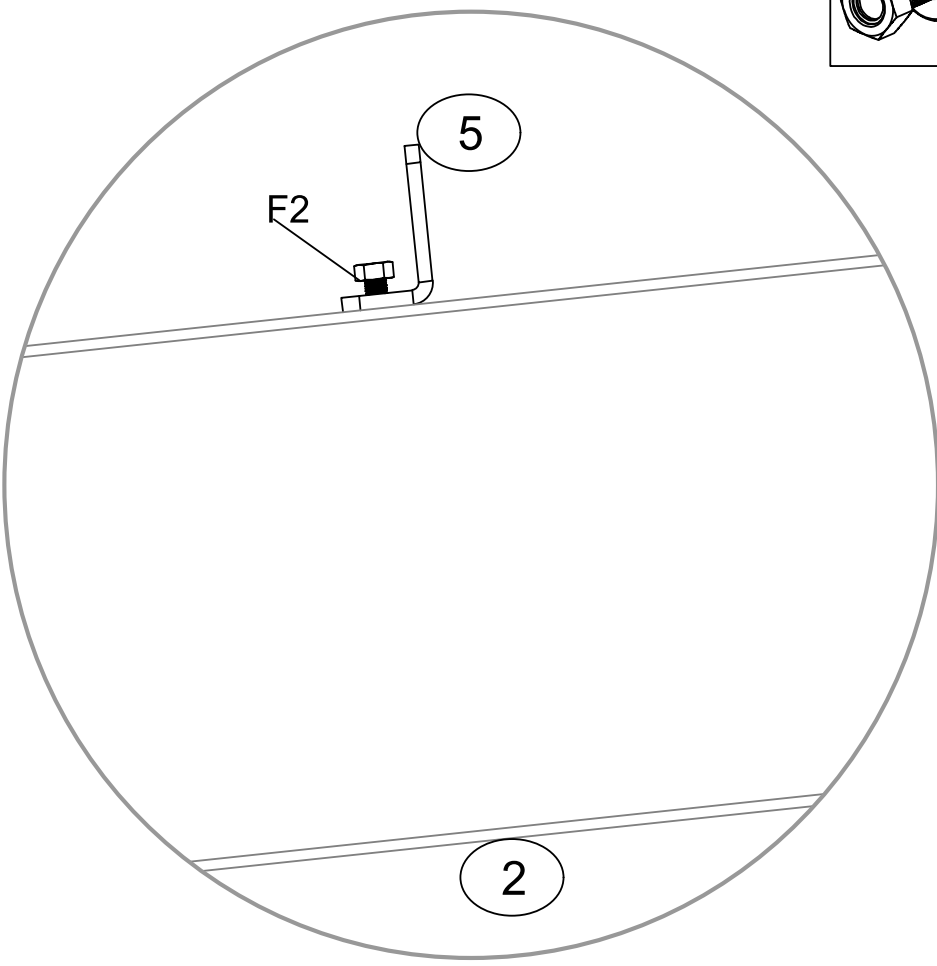
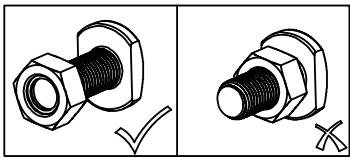
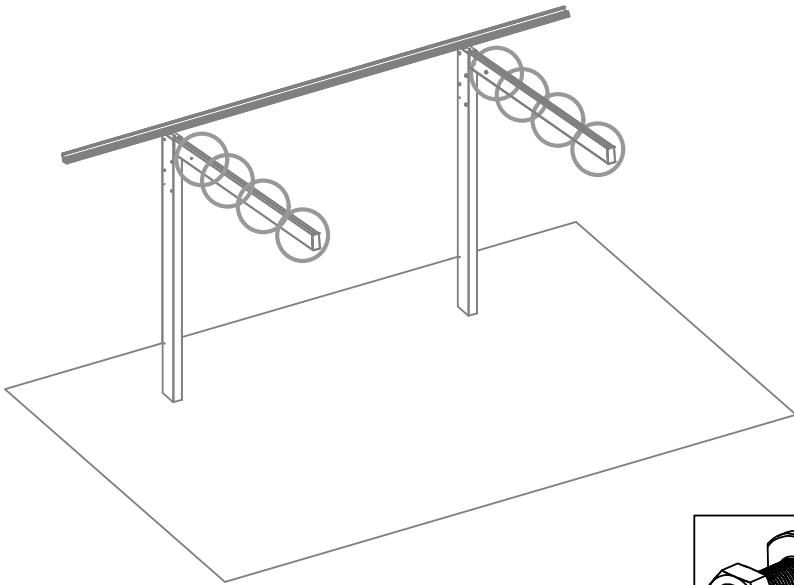
Part Number	Shapes	Qty.
12		1
13		1



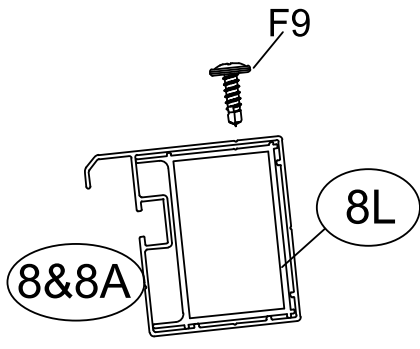
Step 3

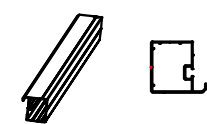
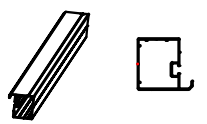
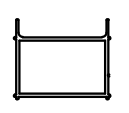


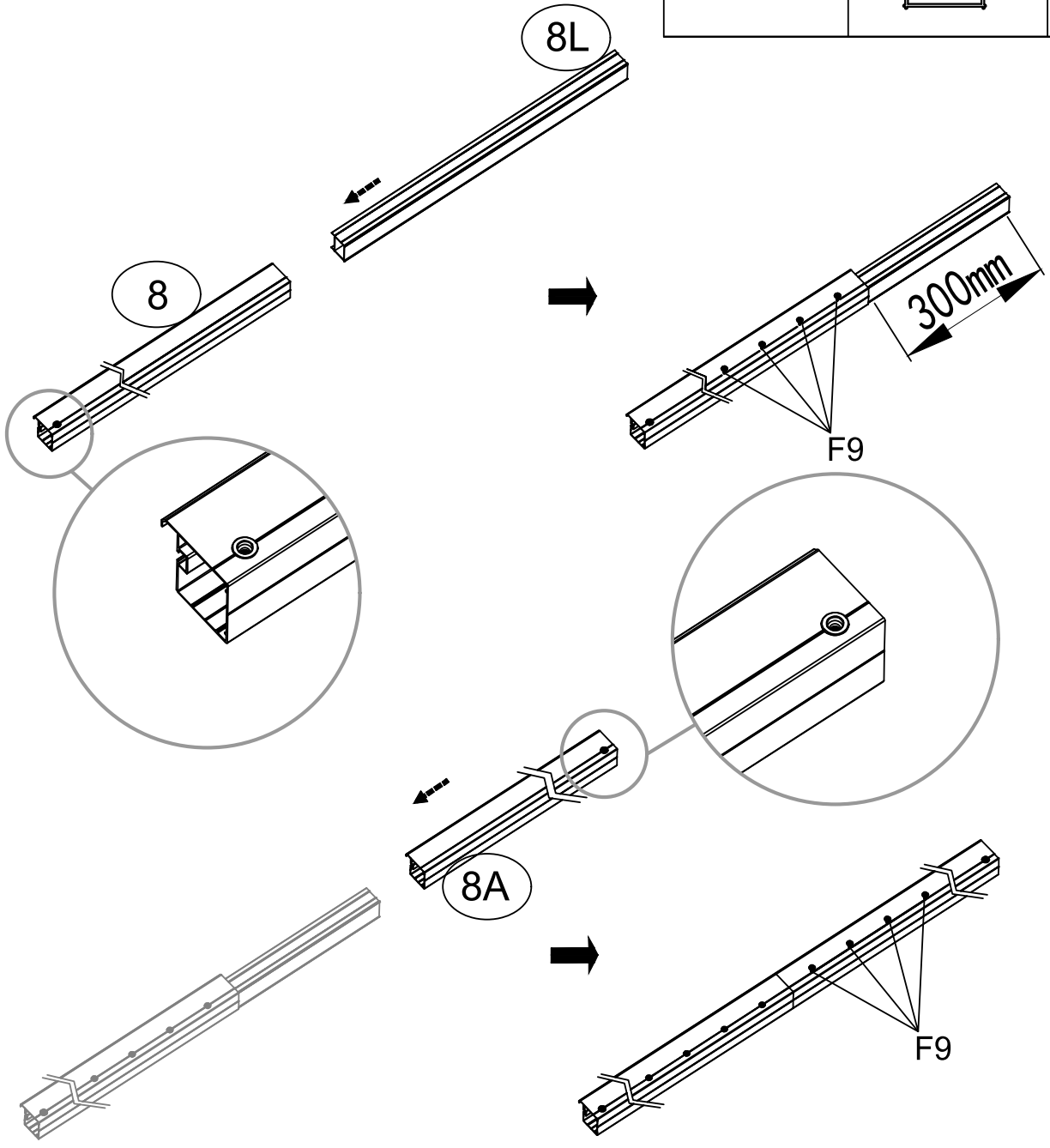
Part Number	Shapes	Qty.
5		8



Step 3

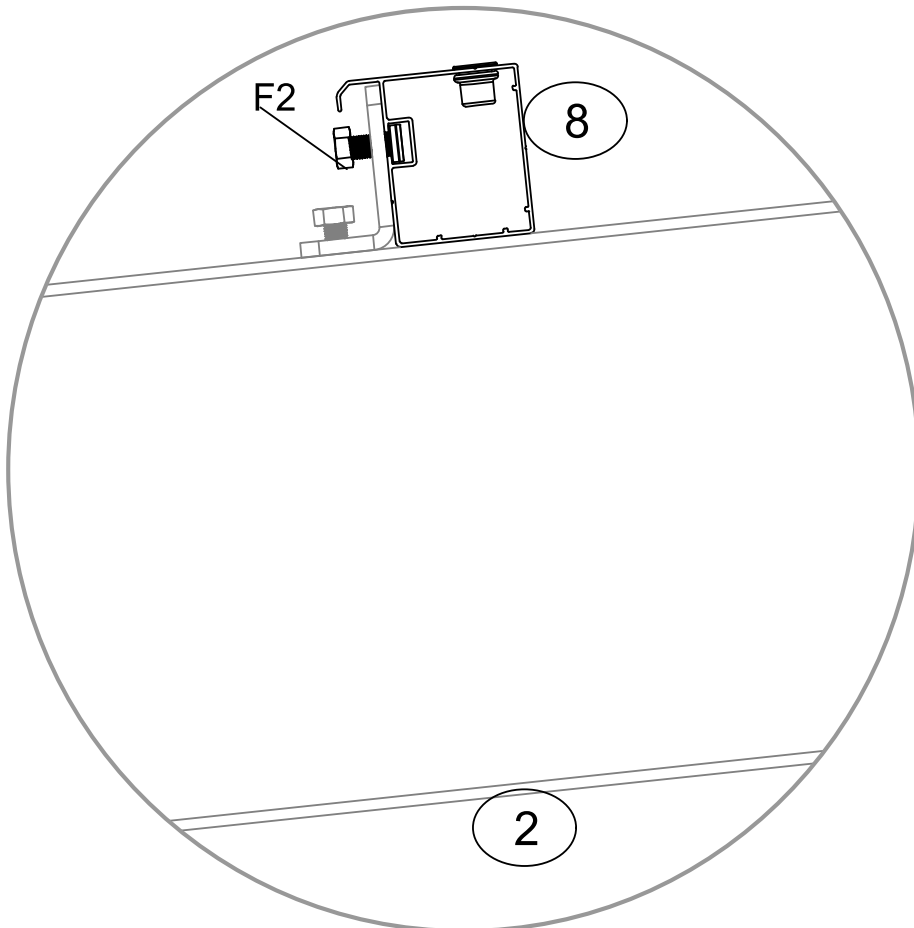
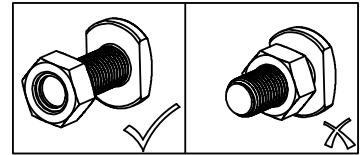
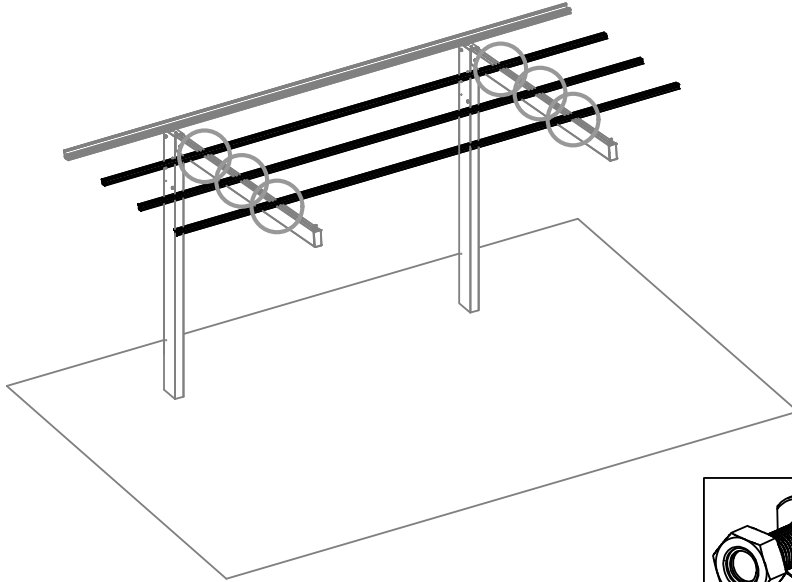
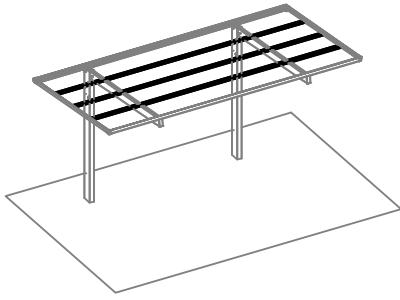


Part Number	Shapes	Qty.
8		3
8A		3
8L		3

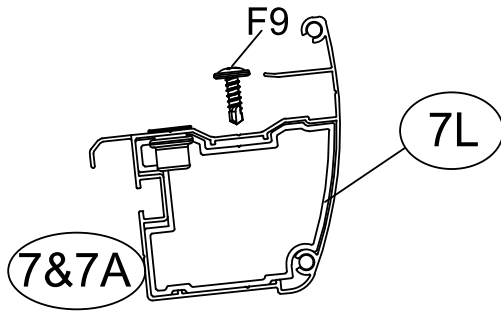


x3

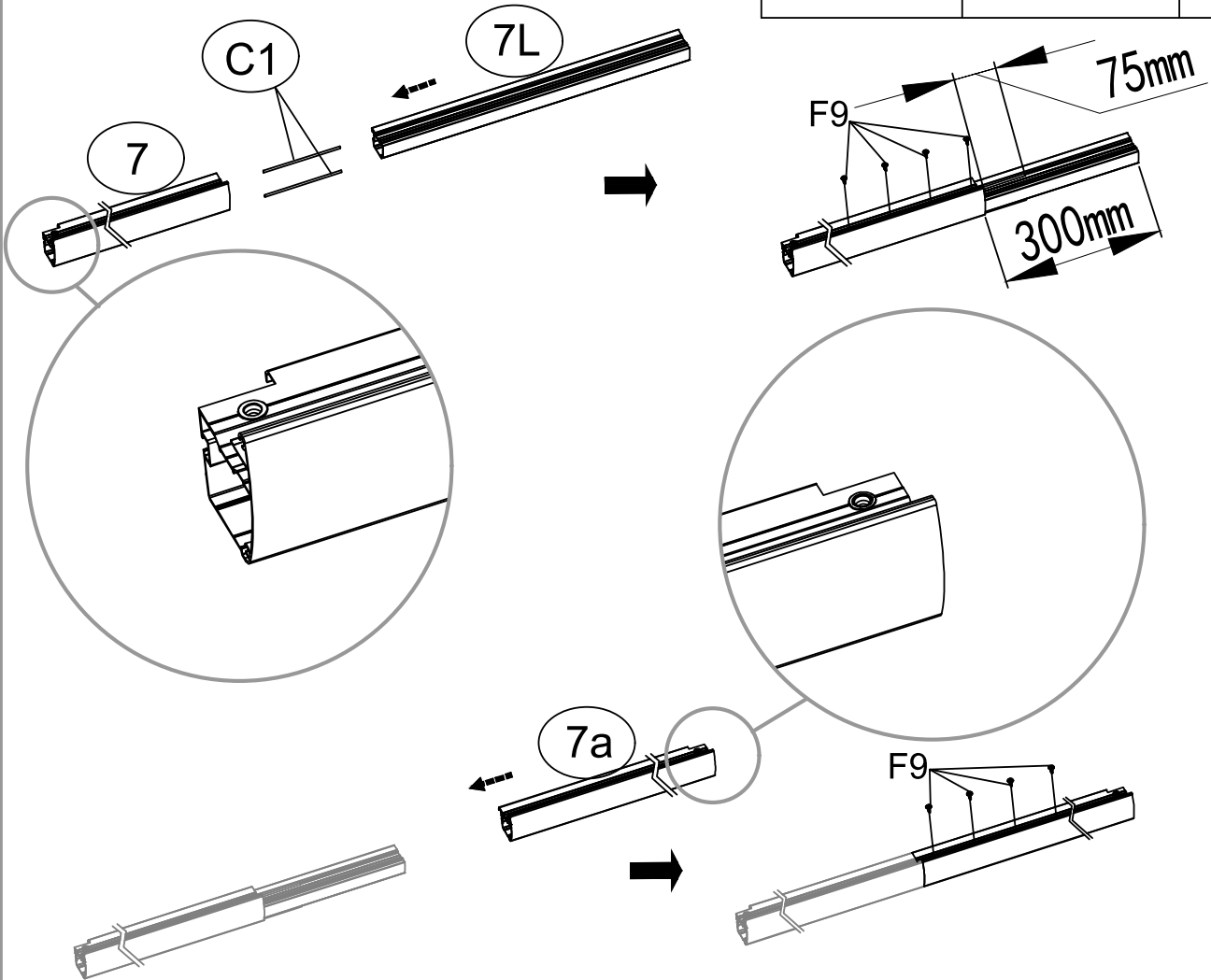
Step 3



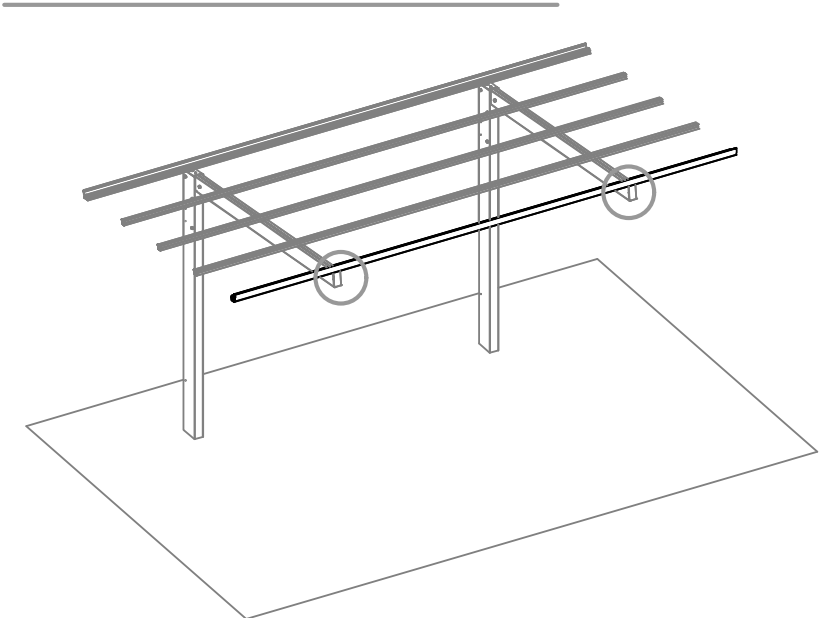
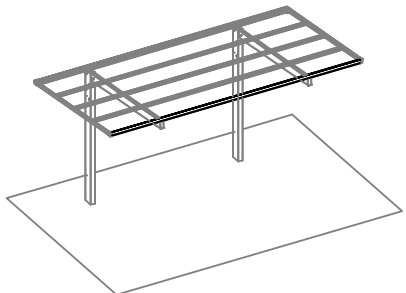
Step 3




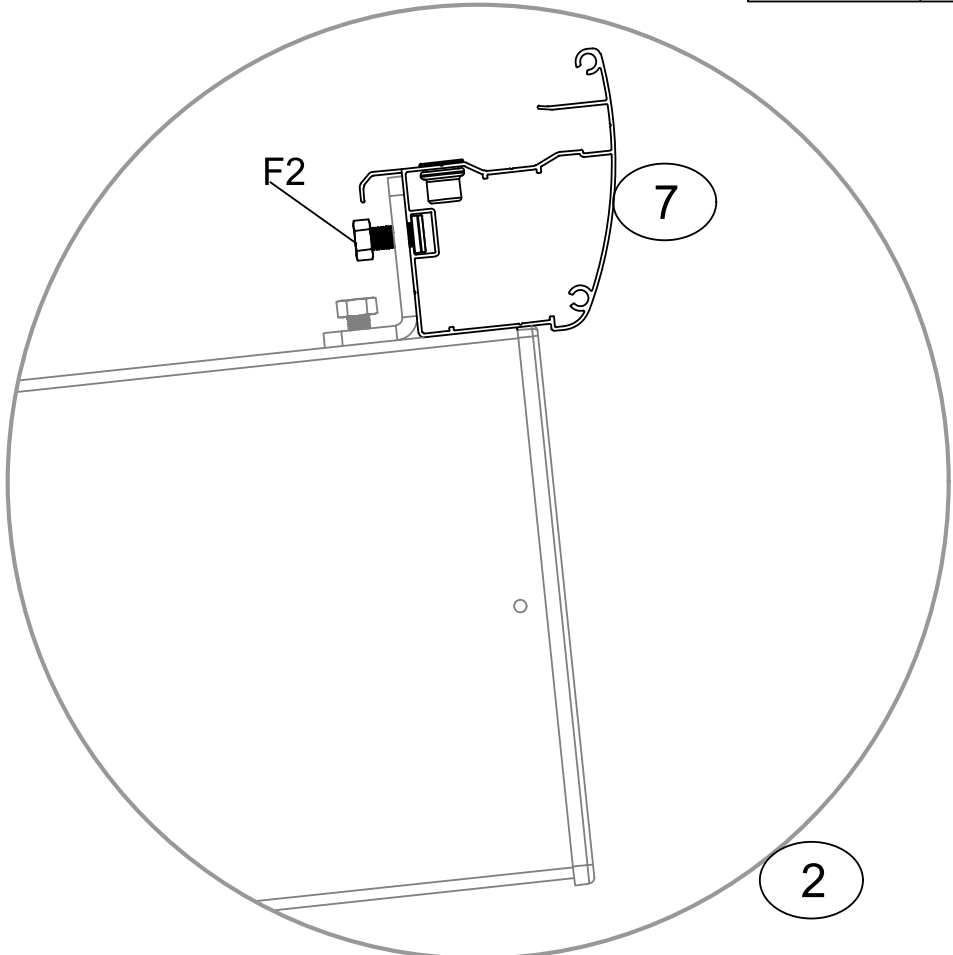
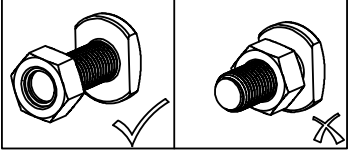
Part Number	Shapes	Qty.
7		1
7A		1
C1		2
7L		1



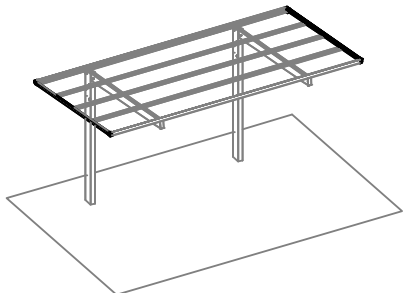
Step 3

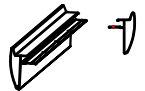


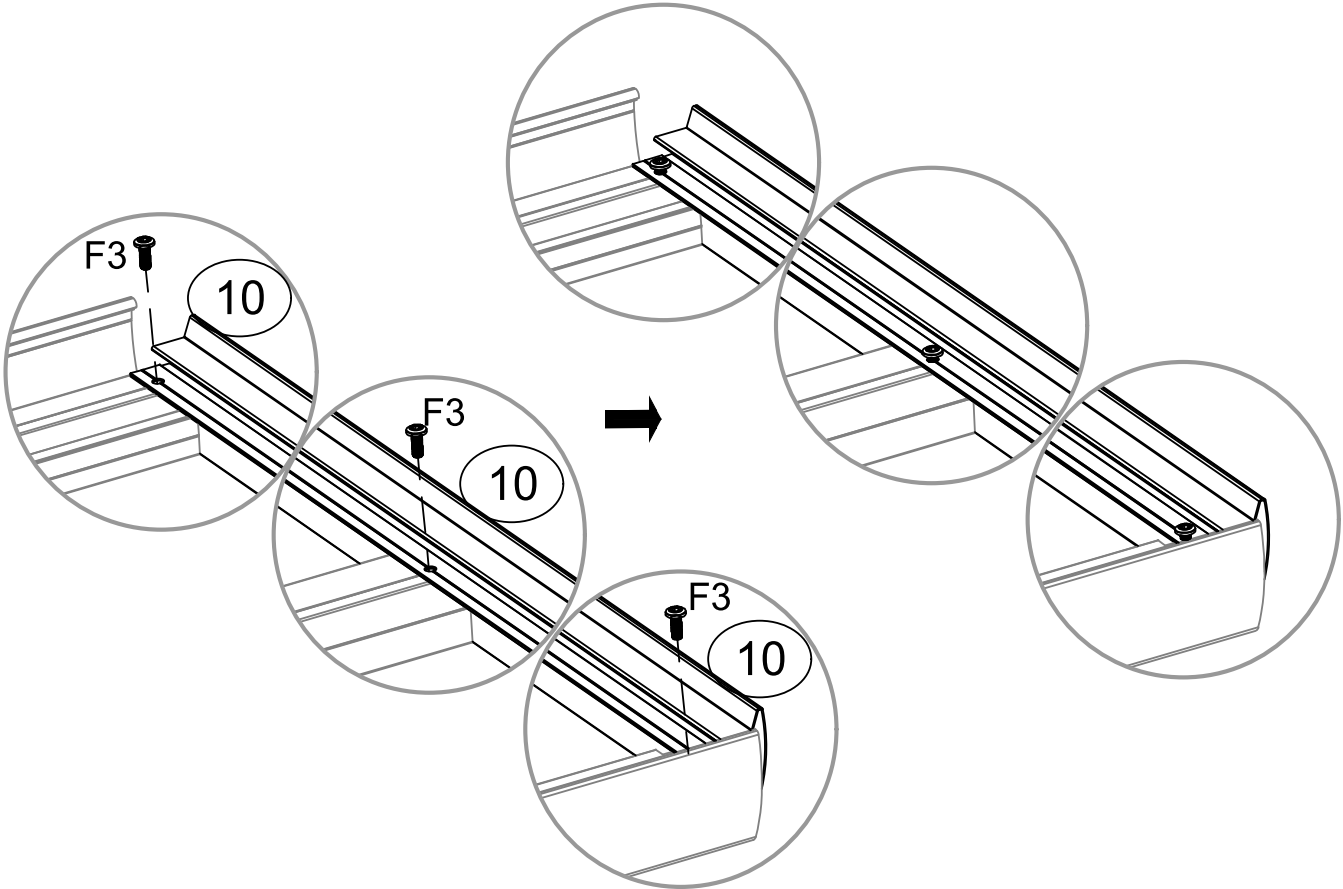
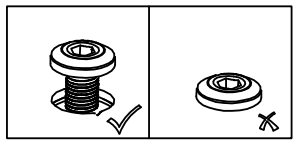
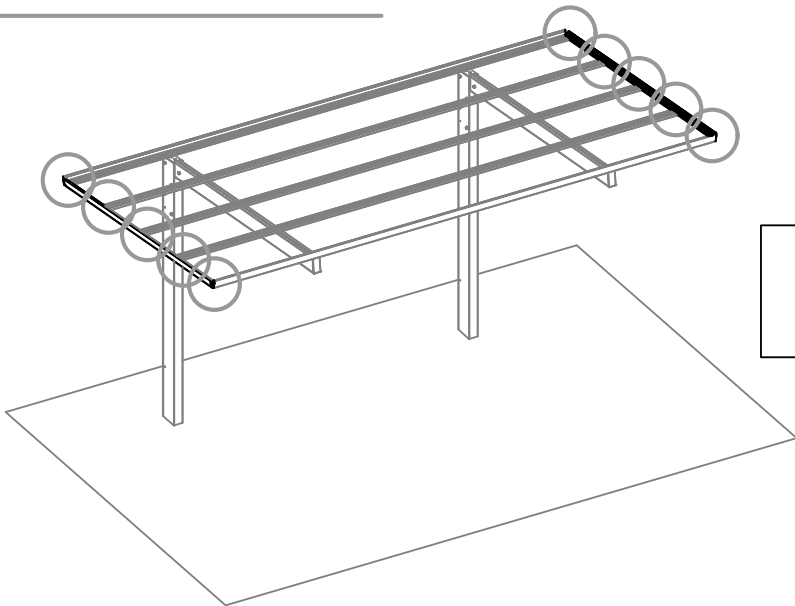
Part Number	Shapes	Qty.
7		1



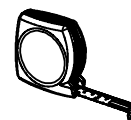
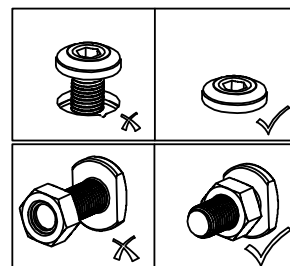
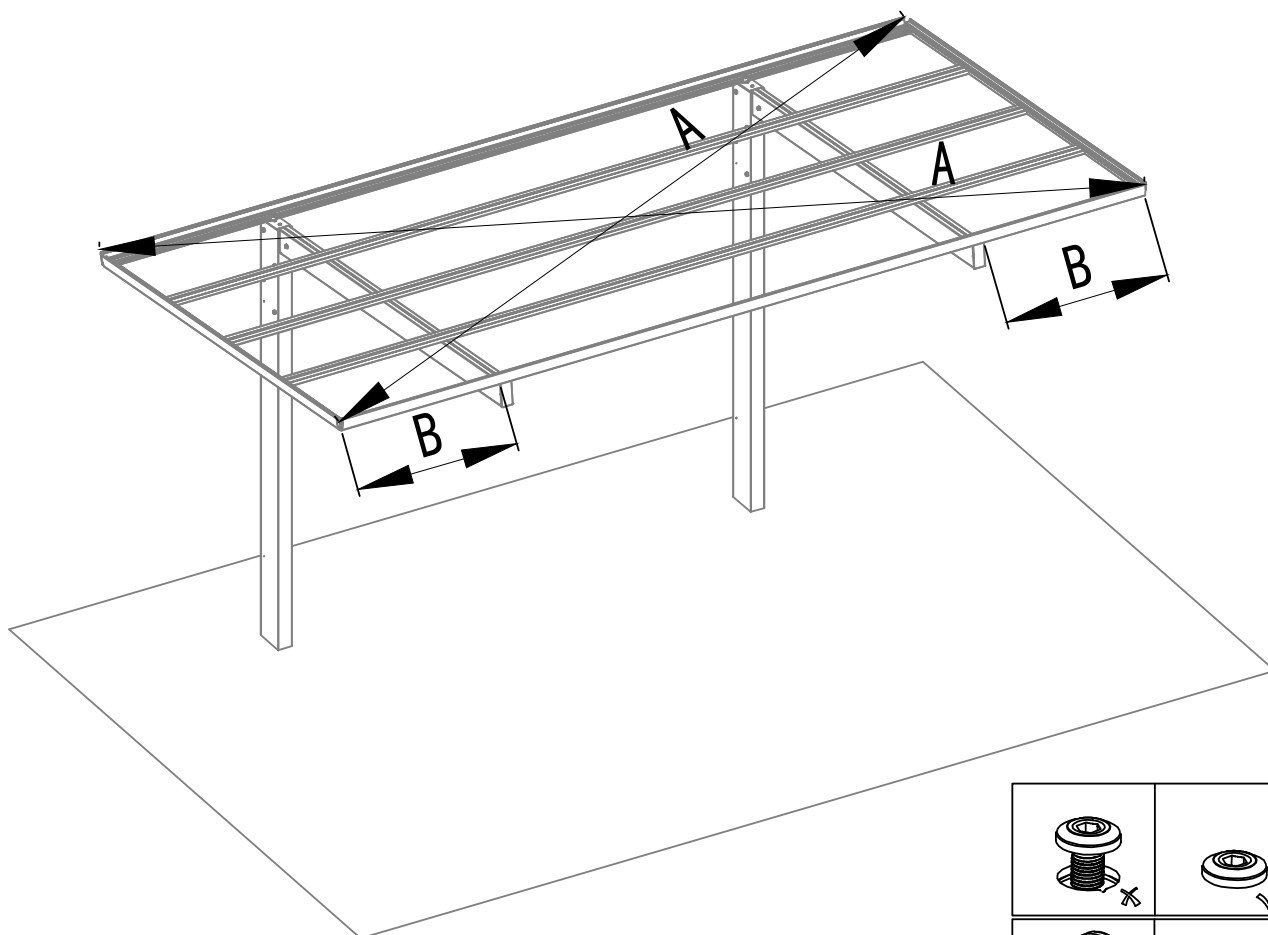
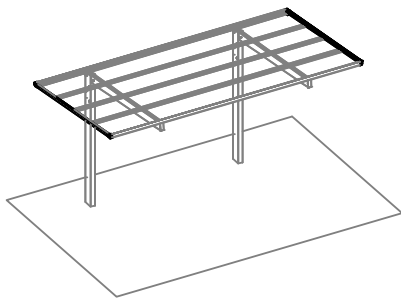
Step 3



Part Number	Shapes	Qty.
10		2

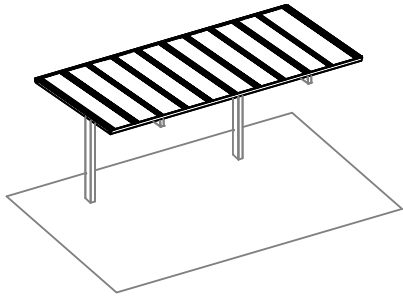



Step 3

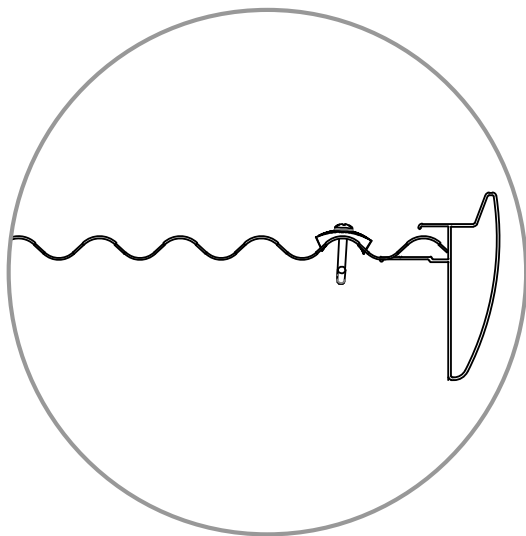
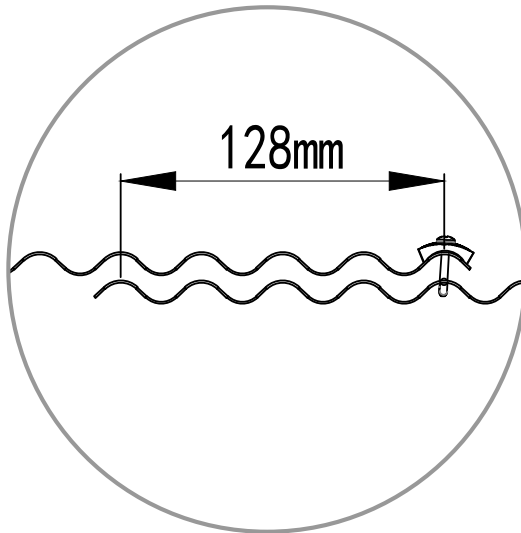
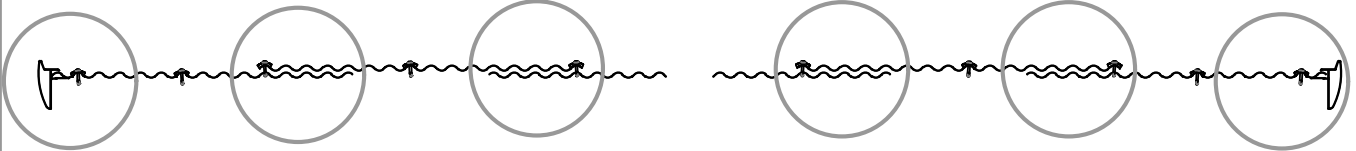
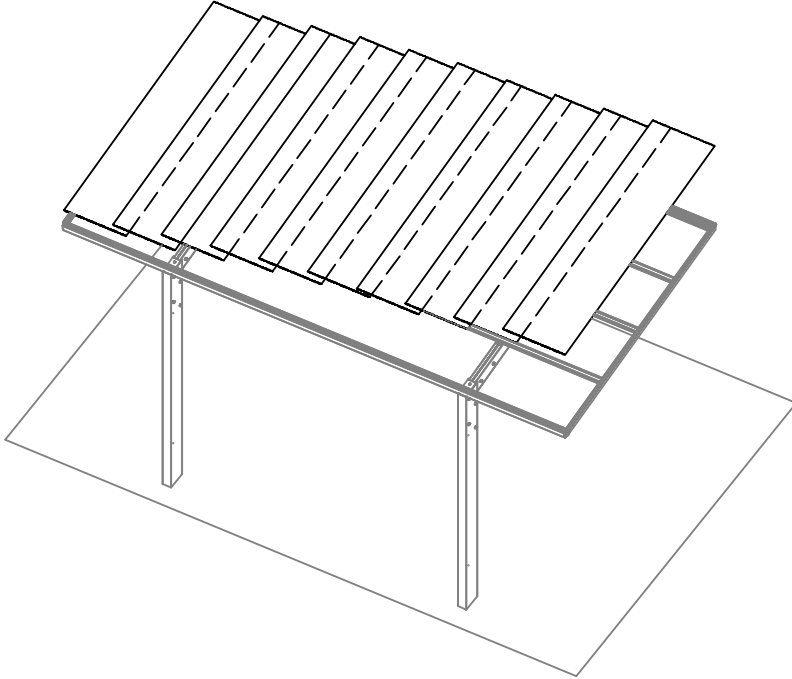


Check $A=A$ $B=B$, and then tighten the screws.

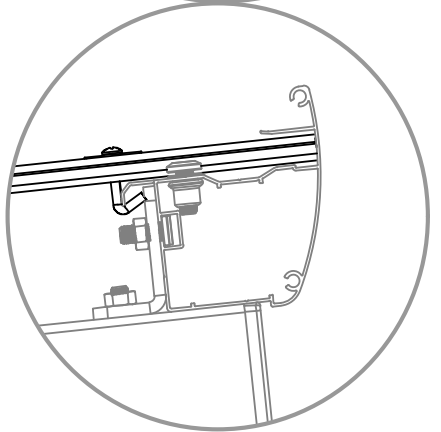
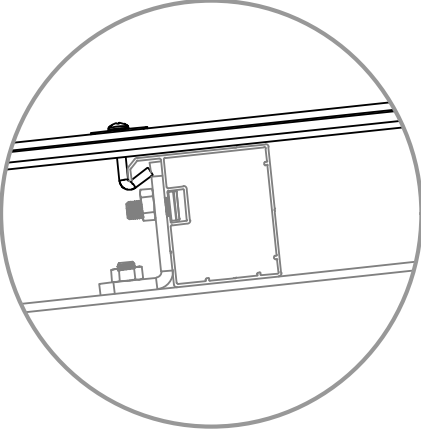
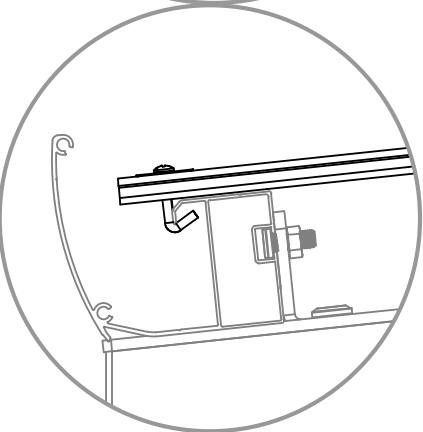
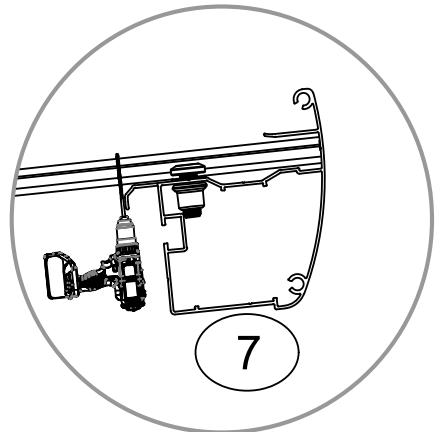
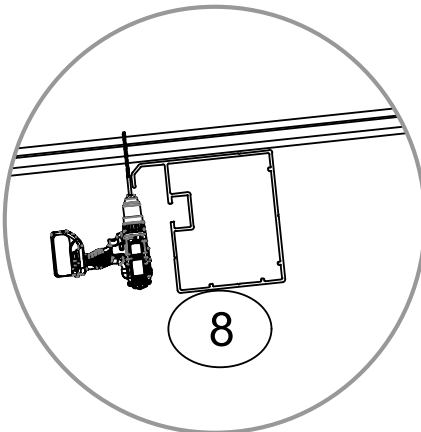
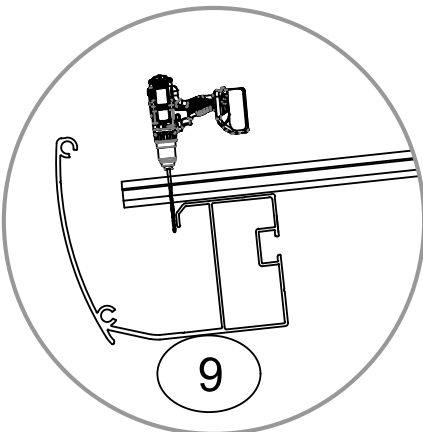
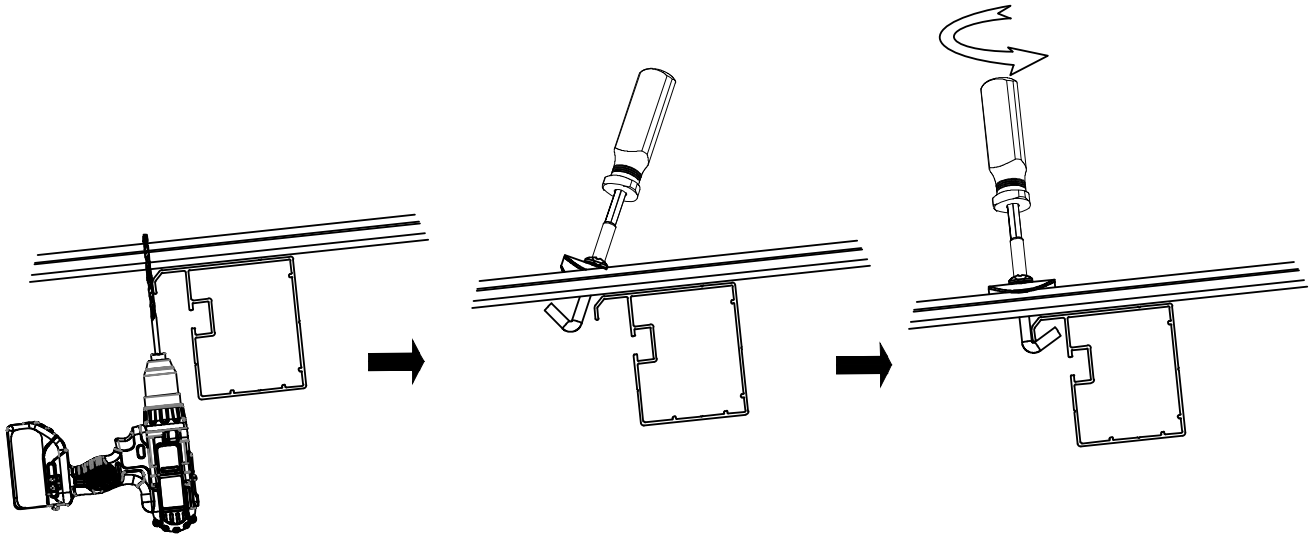
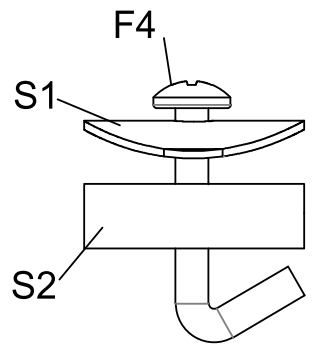
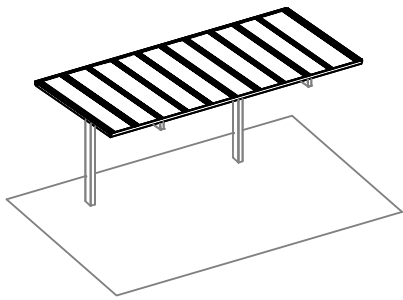
Step 4



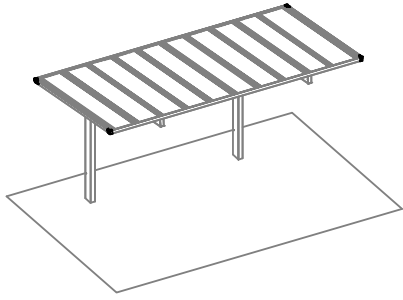
Part Number	Shapes	Qty.
P1		10



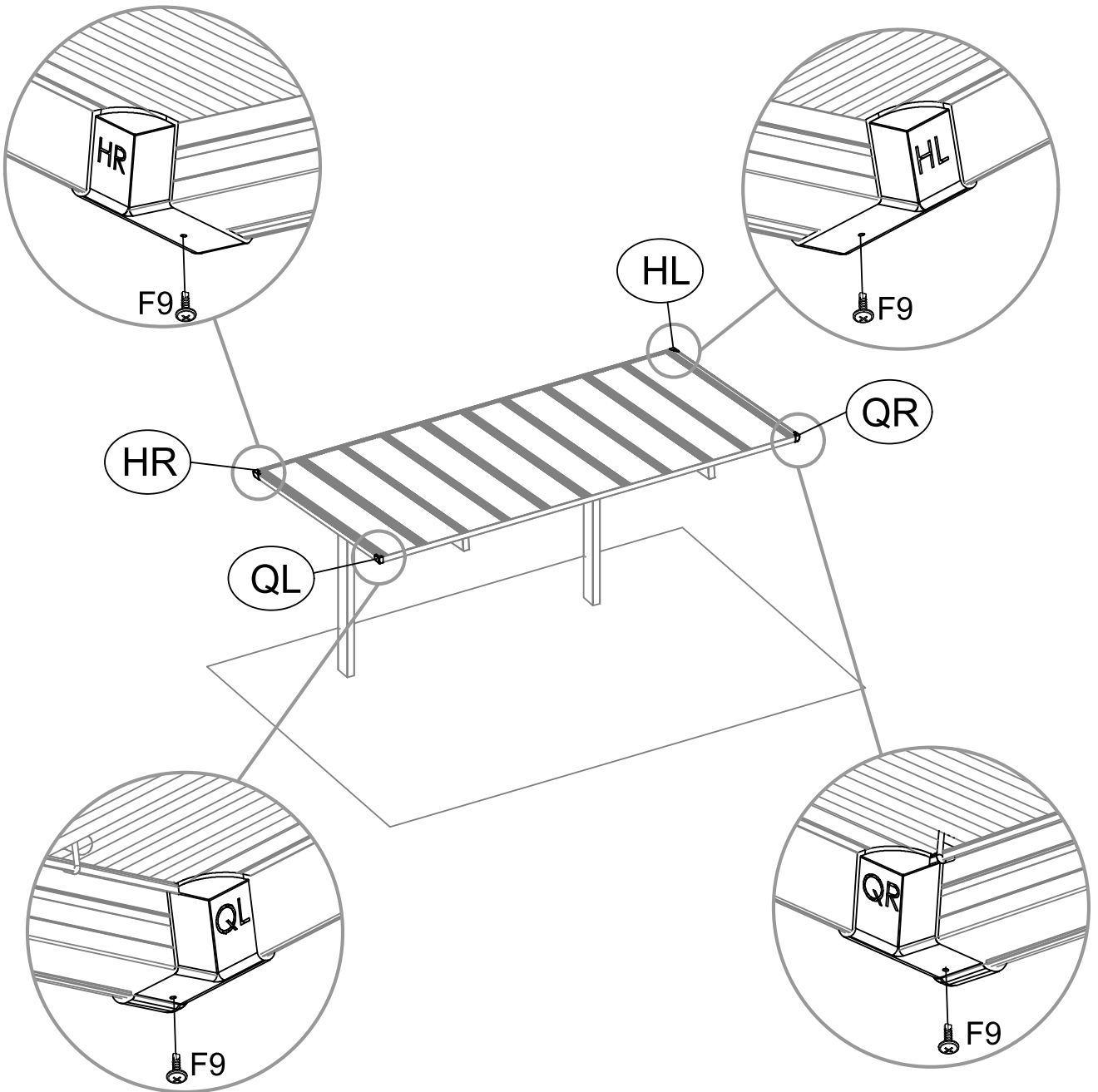
Step 4



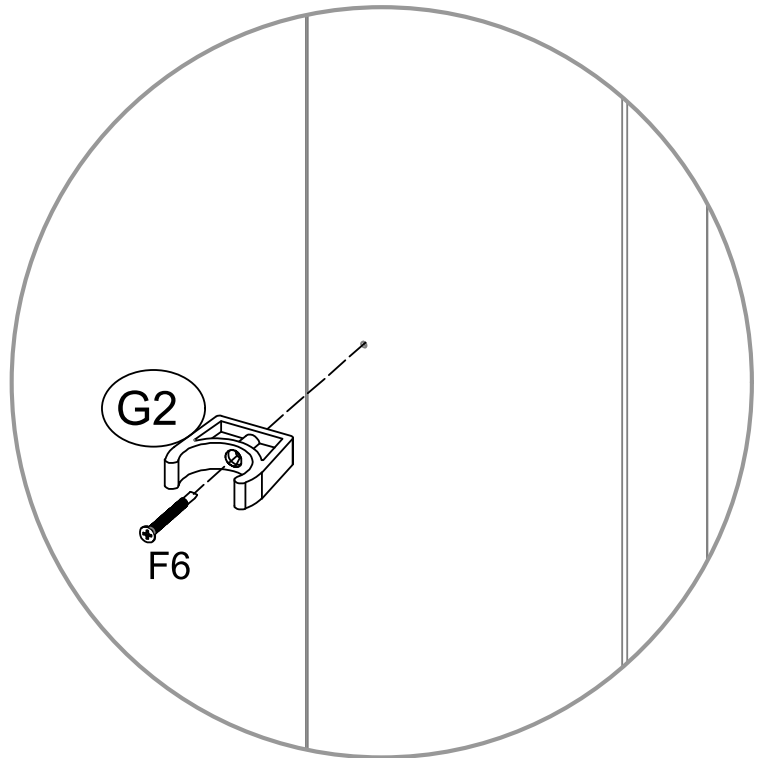
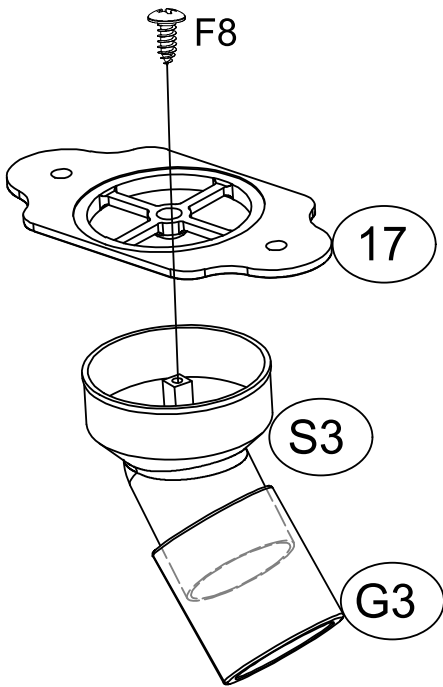
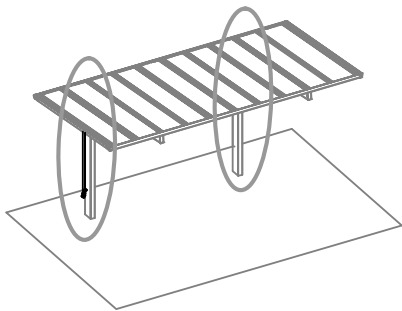
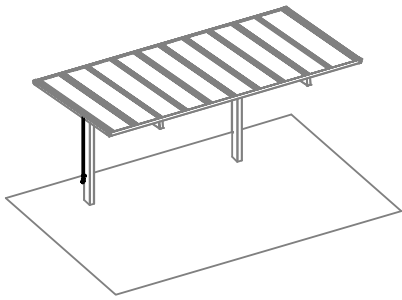
Step 5




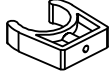


Part Number	Shapes	Qty.
QL		1
QR		1
HL		1
HR		1

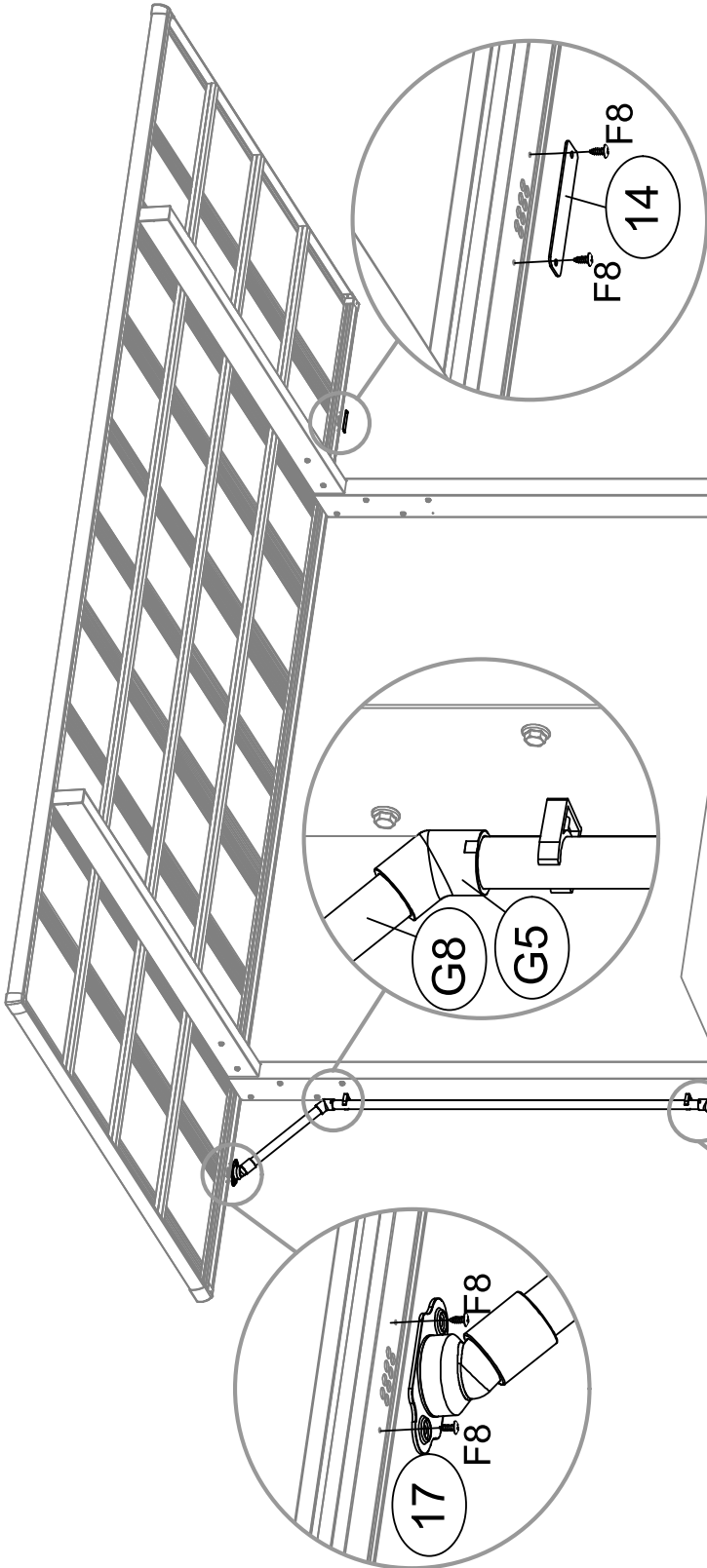
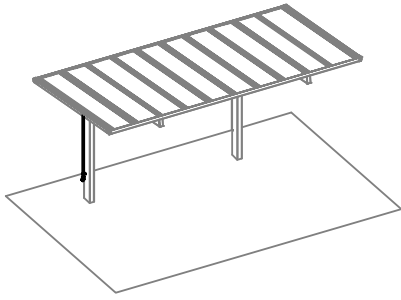


Step 5

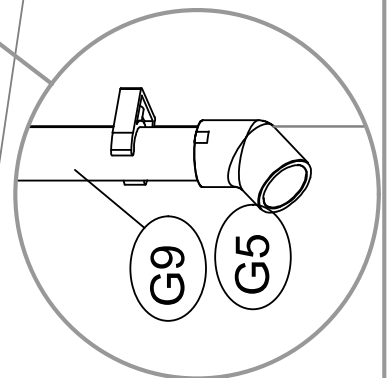


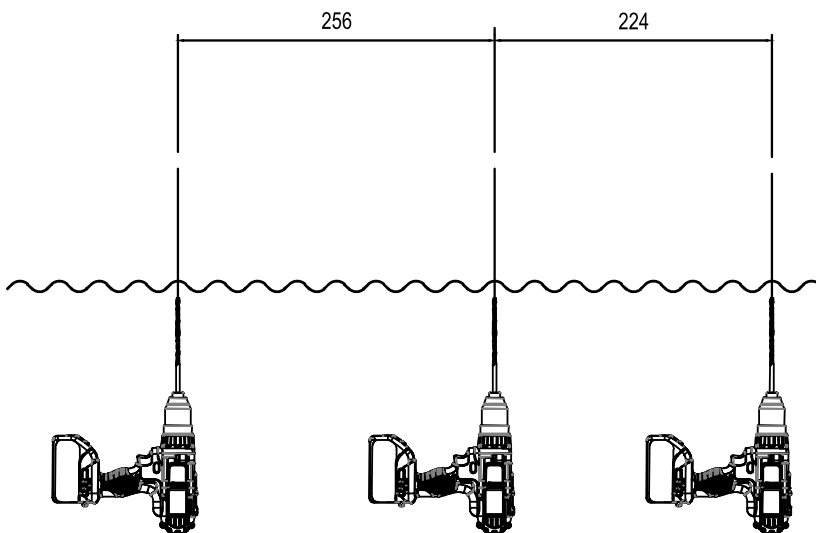
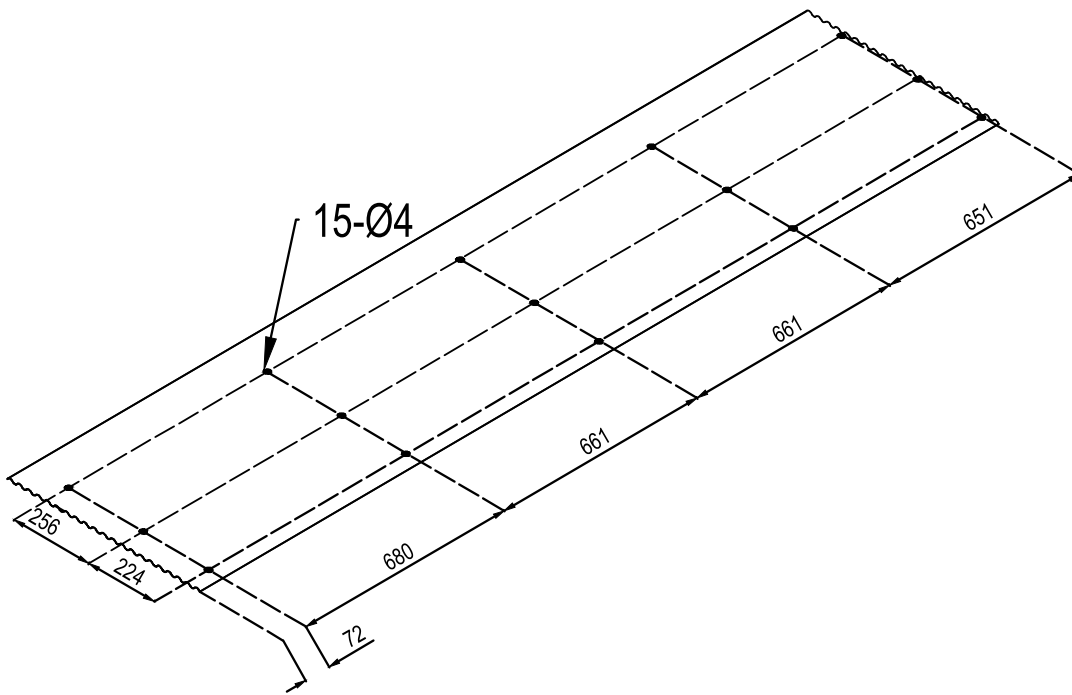
Part Number	Shapes	Qty.
17		1
S3		1
G3		1
G2		2

Step 5

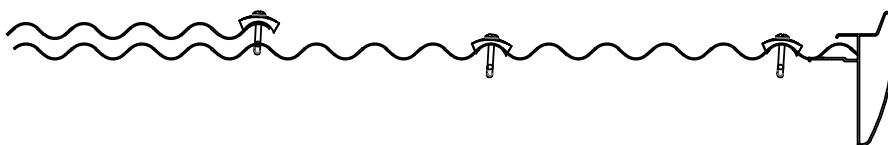


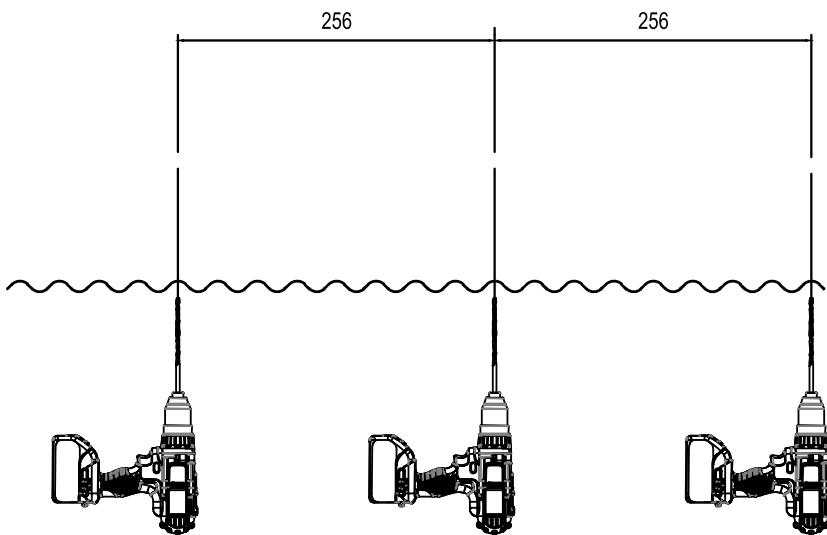
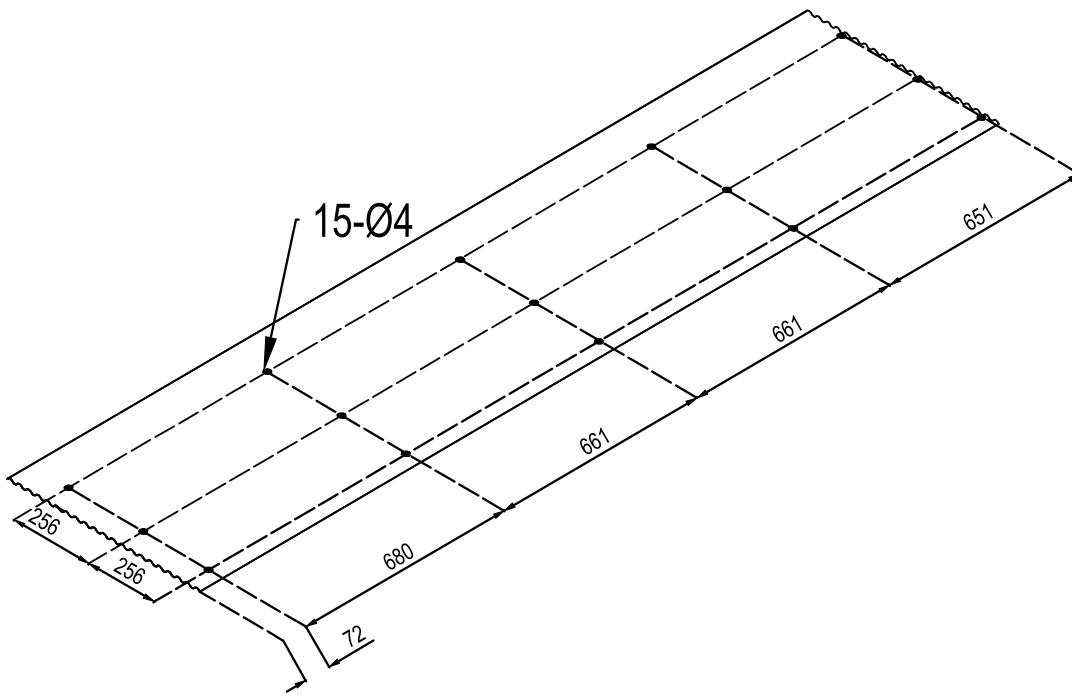
Part Number	Shapes	Qty.
G9		1
G8		1
G5		2
14		1



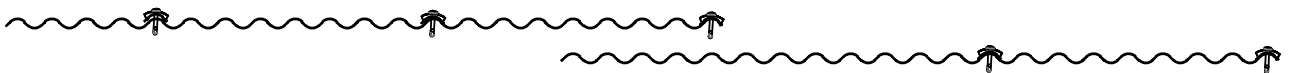


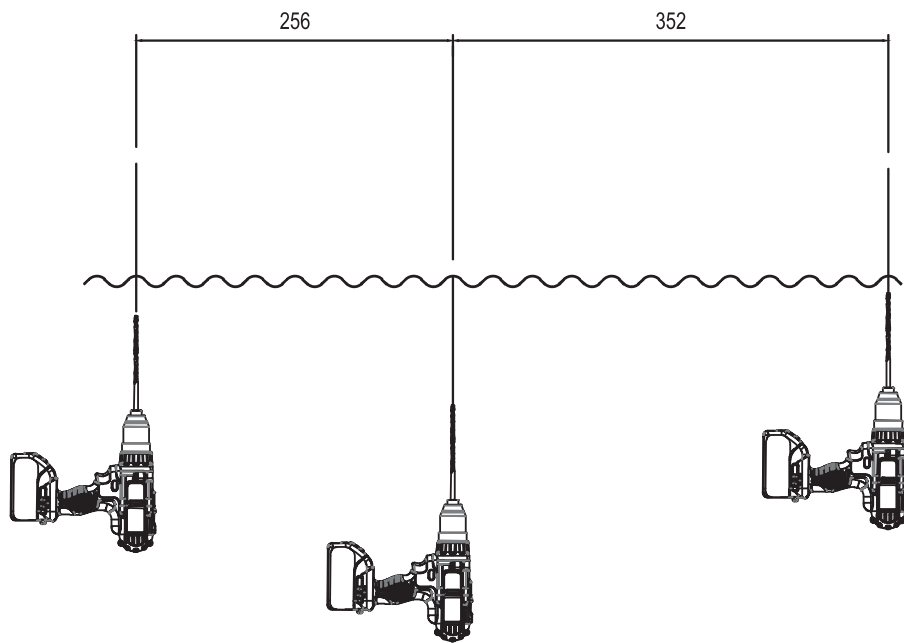
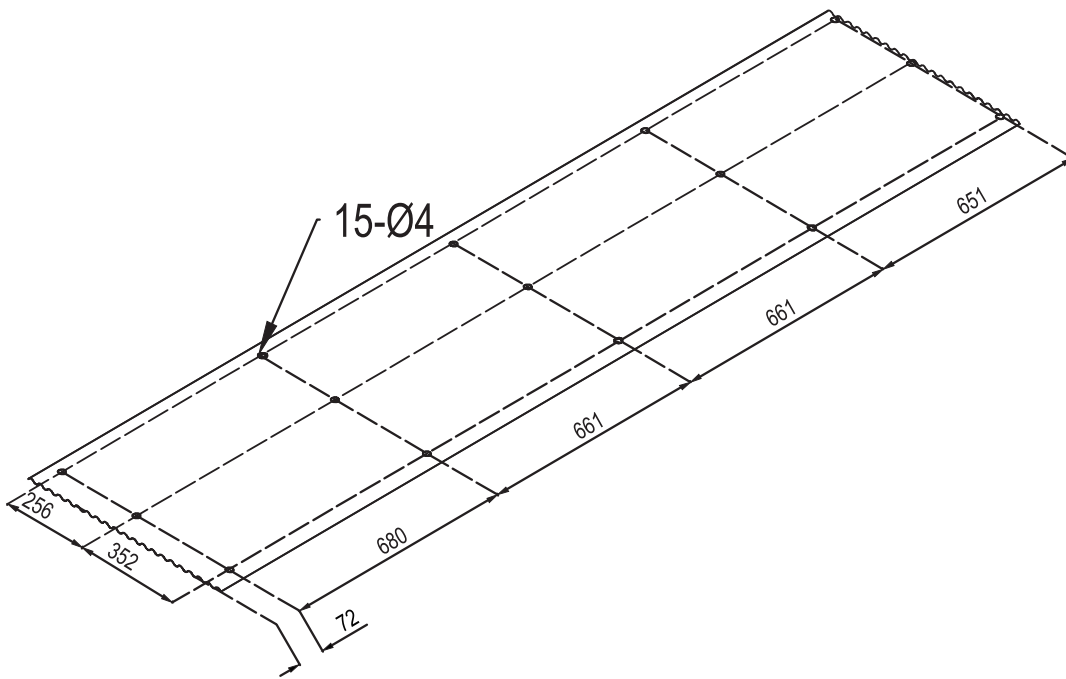
1PS





8PS





1PS

