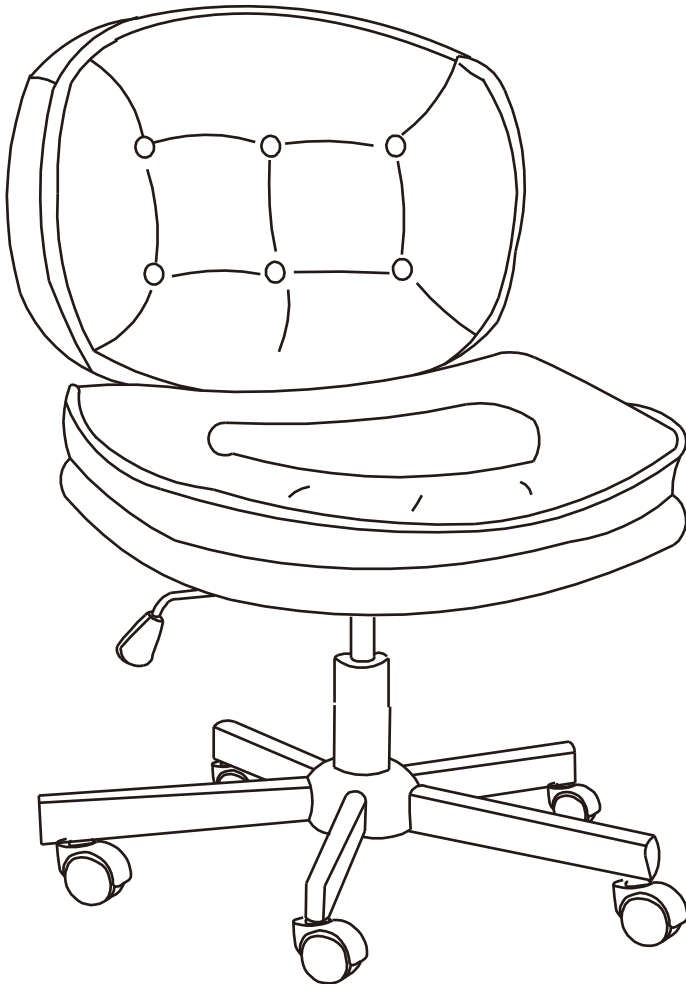


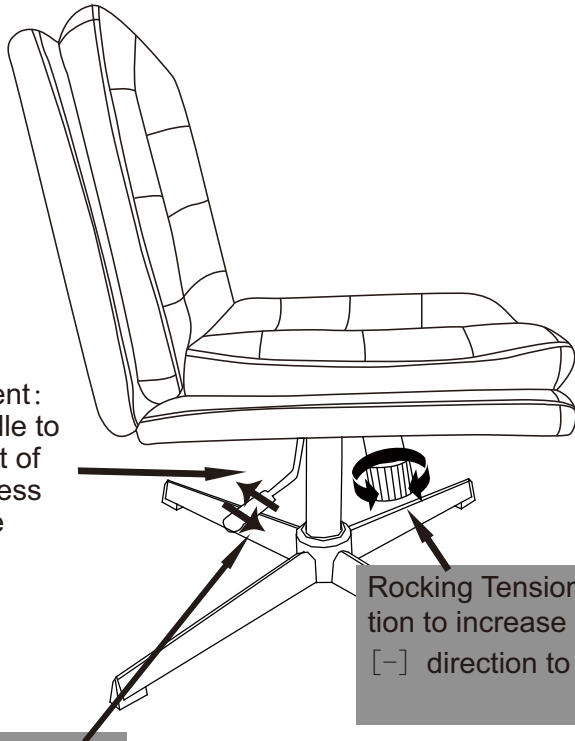
Office Chair Instruction Manual

V1.0



Model: HK-BGY-06

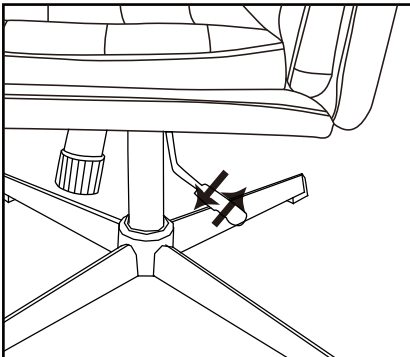
Features



Height Adjustment: Pull up the handle to adjust the height of the chair and press down to lock the height.

Rocking Tension Adjustment: Pull the handle out to increase the rocking tension to increase the rocking [-] direction to decrease the

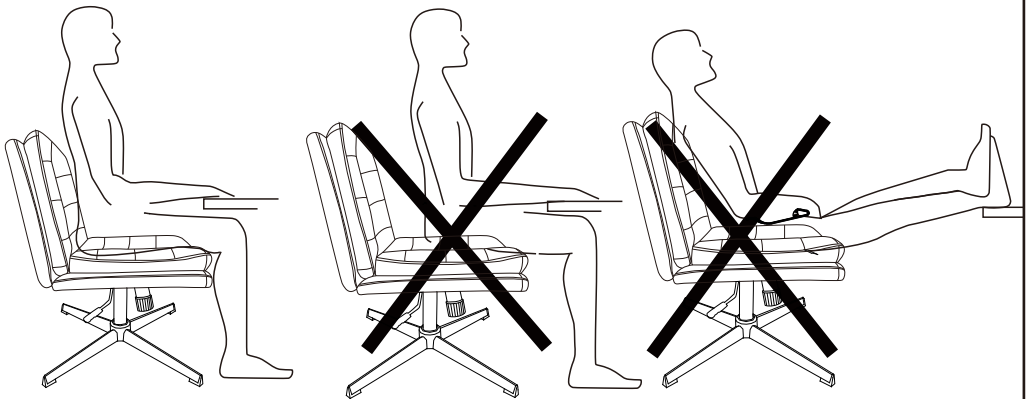
Pull the handle out and you can rock the back freely.



Push the handle in to activate the rocking mode.

IMPORTANT SAFETY INFORMATION

- Check package contents against supplied parts and hardware list to assure that all components were received undamaged. Do not use damaged or defective parts. If you require replacement parts, please contact out customer service.
- Carefully read all instructions before attempting installation. If you do not understand the instructions or have any concerns or questions, please contact customer service.
- One chair is confined to one person.
- Please put the chair on a flat place when using.
- Please do not let the children under 5 years old to sit the chair alone.
- Please do not sit on the armrest, which would cause damage to the chair and lead to damage.
- Don't stand on the chair or use it as a ladder or stair.
- Do not put heavy objects on the chair, or use it as trolley.
- Keep your hands away from the seat base mechanism besides the knob to avoid unwanted injuries.
- Do not use items with sharp or hook to scratch the chair.
- Keep the chair away from the fire.
- Please do not sit on the front of the seat to avoid dumping. Please sit at the end of the chair completely. When standing up from the sitting position, please clench the armrests of the chair.



Supplied Parts and Hardware List

AX5



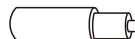
Bx1



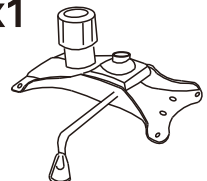
Cx5



Dx1



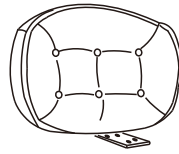
Ex1



Fx1



Gx1



Hx10



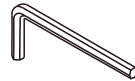
M6x18mm

Ix8



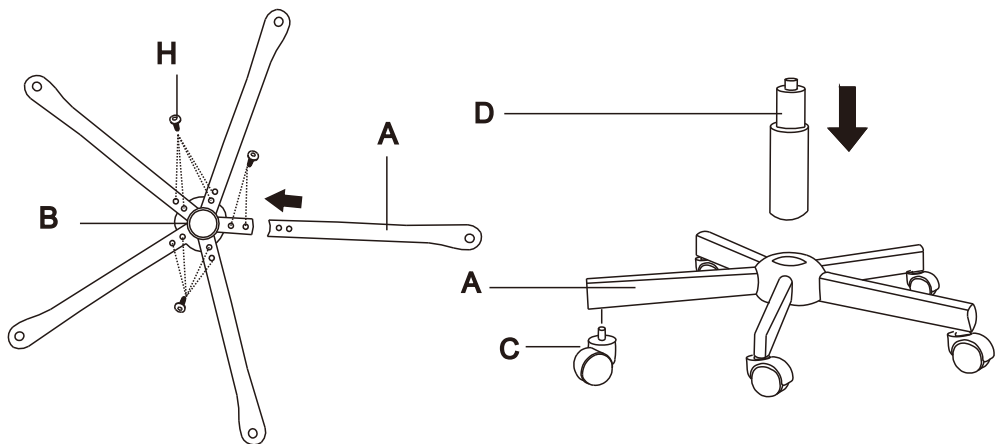
M6x25mm

Jx1

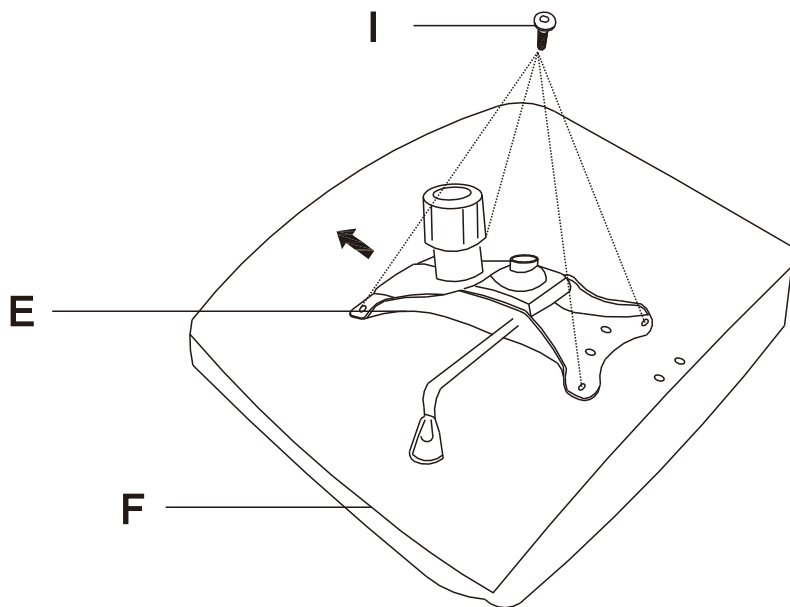


Installation Steps

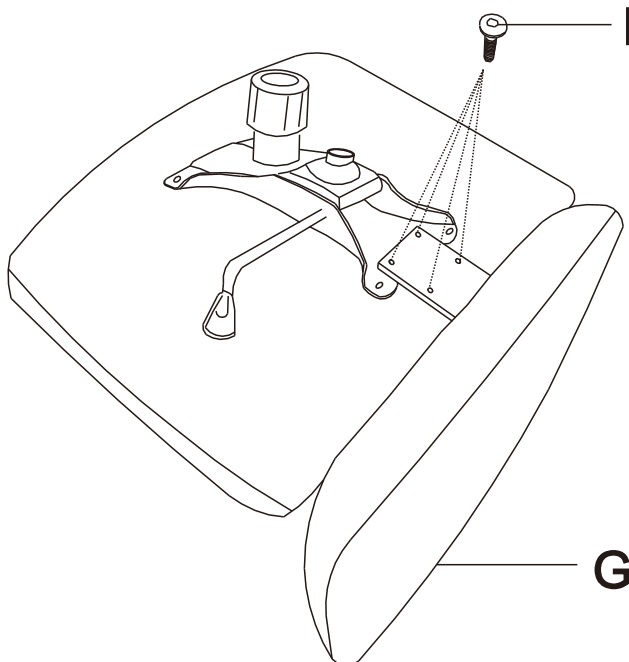
Step 1



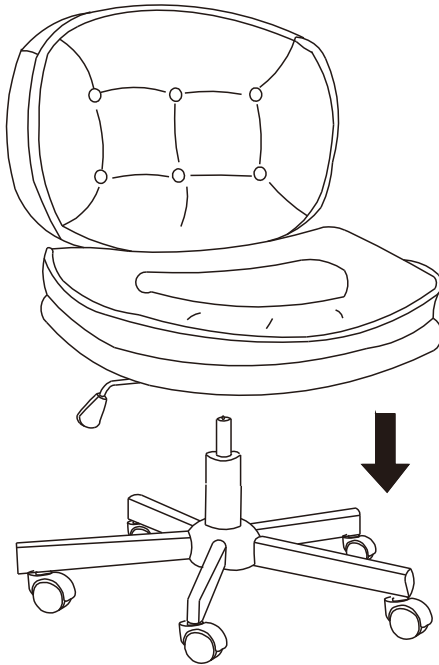
Step 2



Step 3



Step 4



Step 5

