

CEILING FAN INSTALLATION MANUAL

F7789-42NL

F7789-52NL

F280

SAFTY RULES

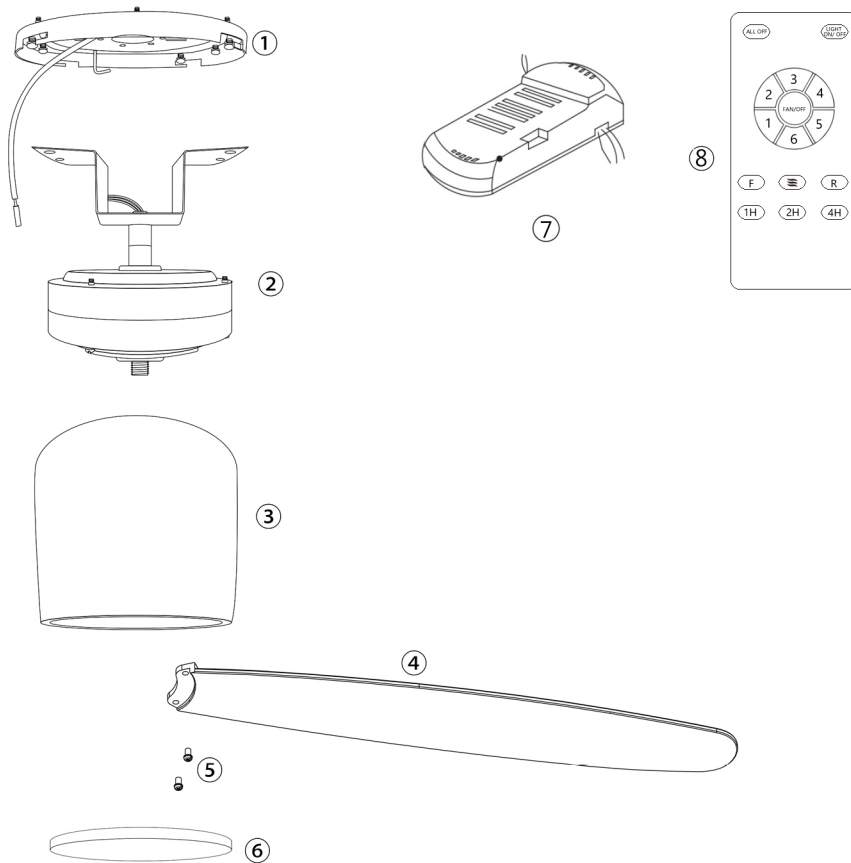
1. To reduce the risk of electric shock, insure electricity has been turned off at the circuit breaker or fuse box before beginning.
2. All wiring must be in accordance with the National Electrical Code and local electrical codes. Electrical installation should be performed by a qualified licensed electrician.
3. **WARNING:** To reduce the risk of electrical shock and fire, do not use this fan with any solid-state fan speed control device.
4. **WARNING:** To reduce the risk of fire, electric shock, or personal injury, mount to outlet box marked "Acceptable for Fan Support of 45kg (99.12 lbs.) Or Less" and use mounting screws provided with the outlet box. Most outlet boxes commonly used for the support of light fixtures are not acceptable for fan support and may need to be replaced. Due to the complexity of the installation of this fan, a qualified licensed electrician is strongly recommended.
5. The outlet box and support structure must be securely mounted and capable of reliably supporting a minimum of 45KGS. Use only UL Listed outlet boxes marked FOR FAN SUPPORT.
6. The fan must be mounted with a minimum of 7 feet clearance from the trailing edge of the blades to the floor.
7. Avoid placing objects in the path of the blades.
8. To avoid personal injury or damage to the fan and other items, be cautious when working around or cleaning the fan.
9. Do not use water or detergents when cleaning the fan or fan blades. A dry dust cloth or lightly dampened cloth will be suitable for most cleaning.
10. After making electrical connections, spliced conductors should be turned upward and pushed carefully up into the outlet box. The wires should be spread apart with the grounded conductor and the equipment-grounding conductor on one side of the outlet box.
11. Electrical diagrams are for reference only.
12. The fan is suitable for indoor use only.

TOOLS REQUIRED








BEFORE INSTALLATION

Unpack your fan and check the contents. You should have followings:



- 1. Hanger 2. Motor 3. Motor shell 4. Blade
- 5. Blade screw 6. Decorative cover 7. Receiver 8. Remote control

				
1/4*15 screw 6	Balance sticker 2	Explosion screw 4	Gasket 6	Self-tapping screws 4

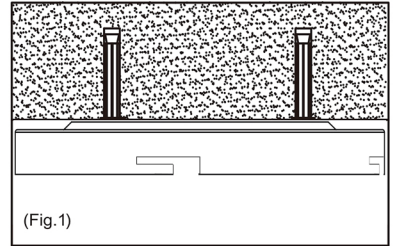
INSTALL THE FAN

Tools Required: Phillips Screwdriver, Pair of Pliers, Straight slot screwdriver, Adjustable Wrench, Step Ladder and Wire Cutters.

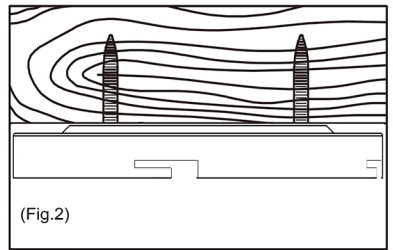
INSTALL THE MOUNTING BRACKET

To prevent personal injury and damage, ensure that the hanging location allows the blade a clearance of 7.5 feet (2.3 metets) from the floor and 18 inches (45.72 centimeters) from any wall or obstruction.

1. For the concrete ceiling: Mark the location for the ceiling fan first, then drill two holes in the ceiling to aid in securing ceiling bracket with two expansion screws provided, and secure the mounting bracket to the building structure with two expansion screws provided, tighten the screws. (Fig.1)



For the Wood Ceiling: Mark the location for the ceiling fan first, secure the mounting bracket to the building structure with four wood screws provided. (Fig.2)

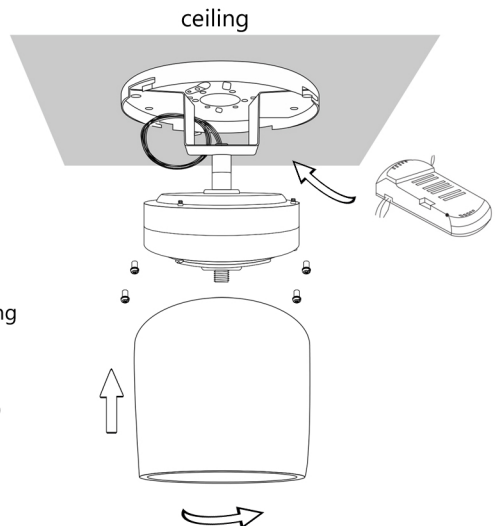


NOTE: Hanger after the installation must be able to withstand the weight of 45 kgs or more.

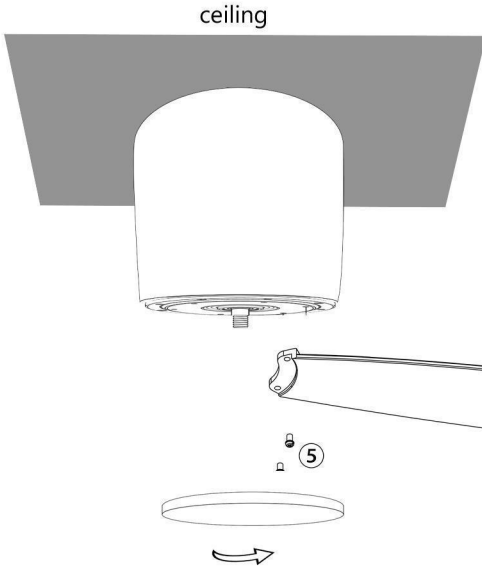
INSTALLING RECEIVER

Install ceiling fan, follow the steps below:

1. Install the motor: unscrew the four screws of the ceiling mounting bracket, connect the motor to the ceiling mounting bracket and lock it with the screws.
2. Install the remote control: Connect the wires on the motor and the wires on the receiver to the corresponding colors. (Please refer to the remote control manual)
3. Install the shell: put the shell on the motor, rotate it to the right, and clamp it on the mounting bracket.

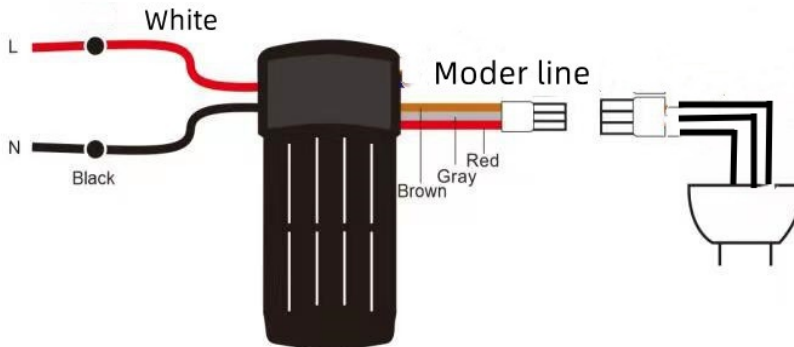


INSTALLATION WITHOUT LAMP



4. Install the blade: lock the fan blade on the motor with screws, and lock the three blades in turn.
5. Install the decorative cover :
Tighten the decorative cover onto the motor.
6. Complete the installation.

Controller wiring diagram



Introduction to Remote Control Functions

