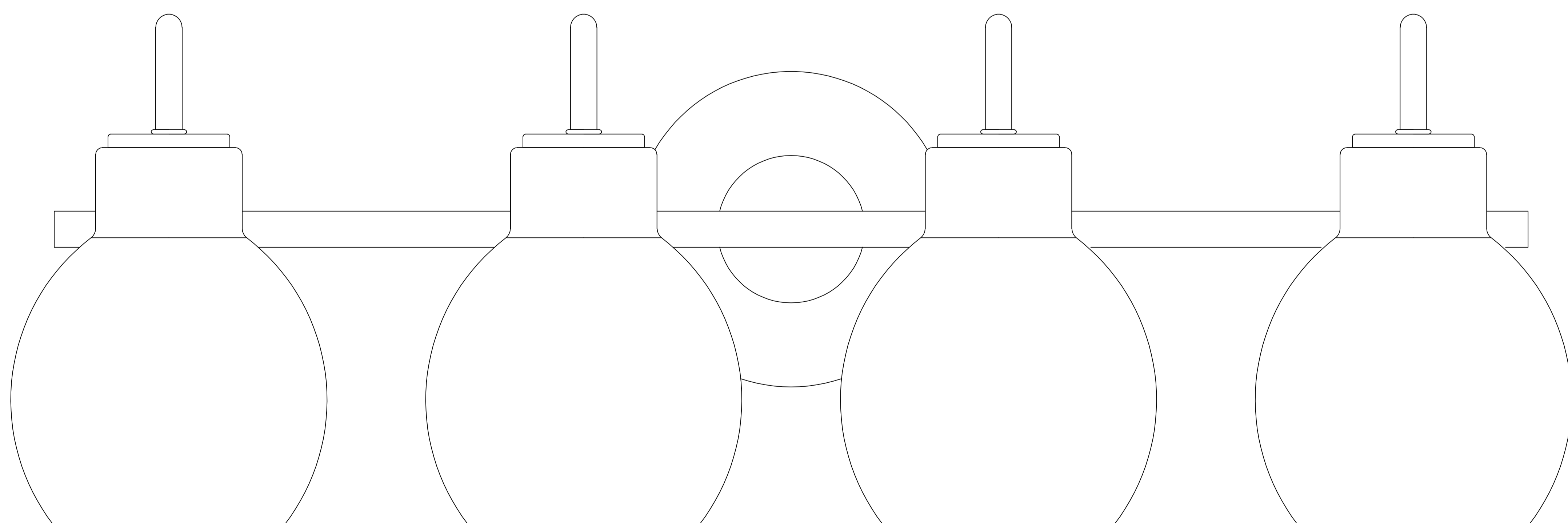
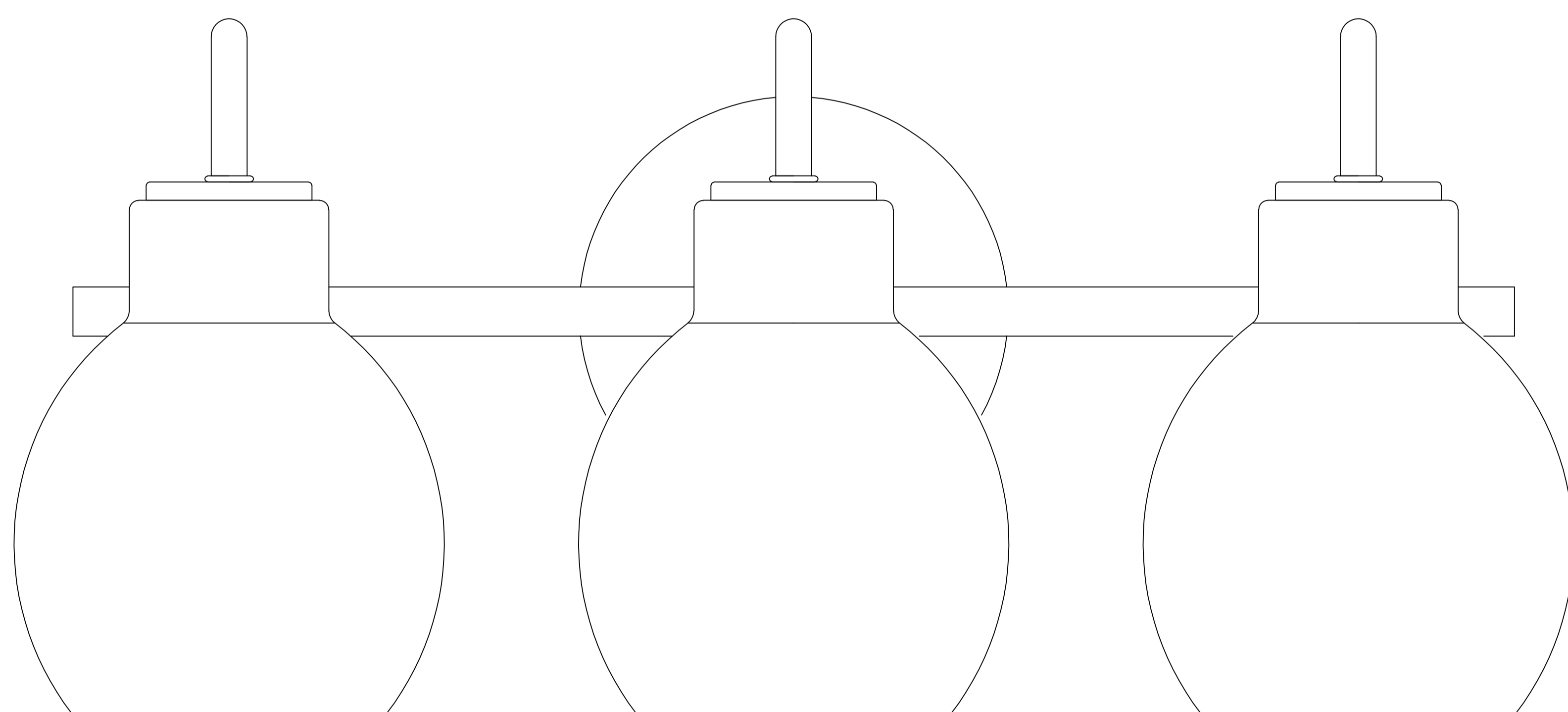
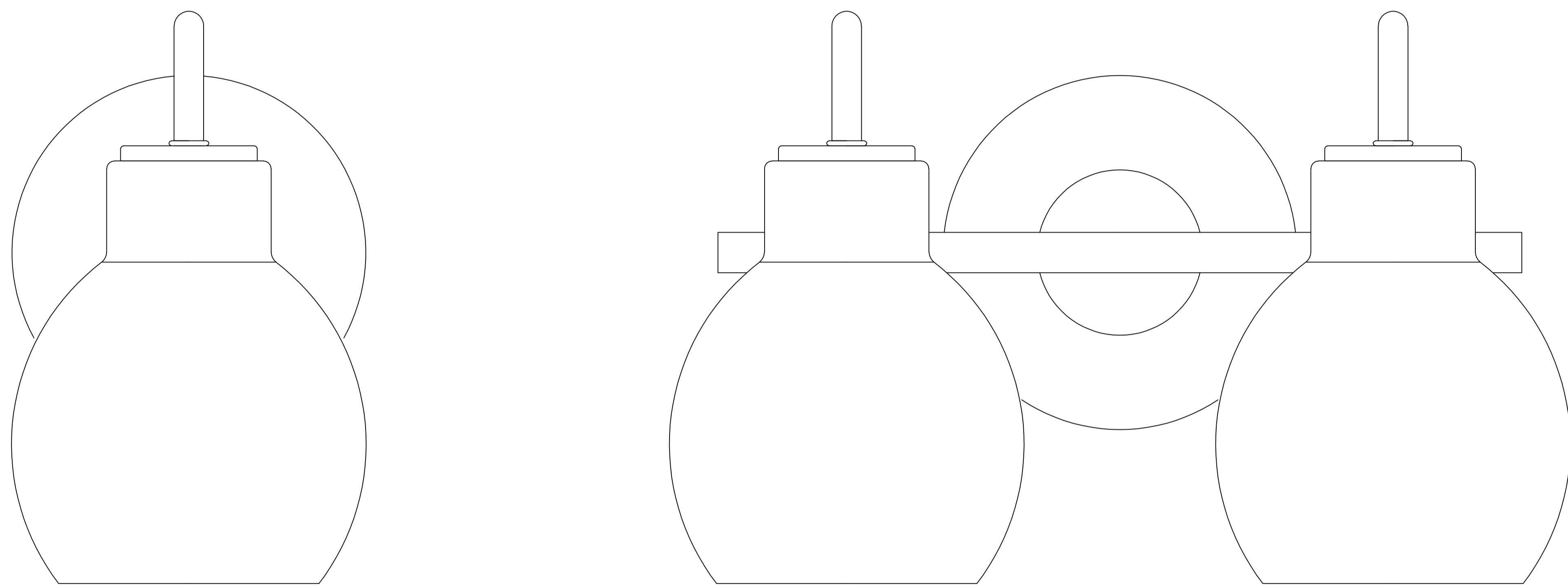


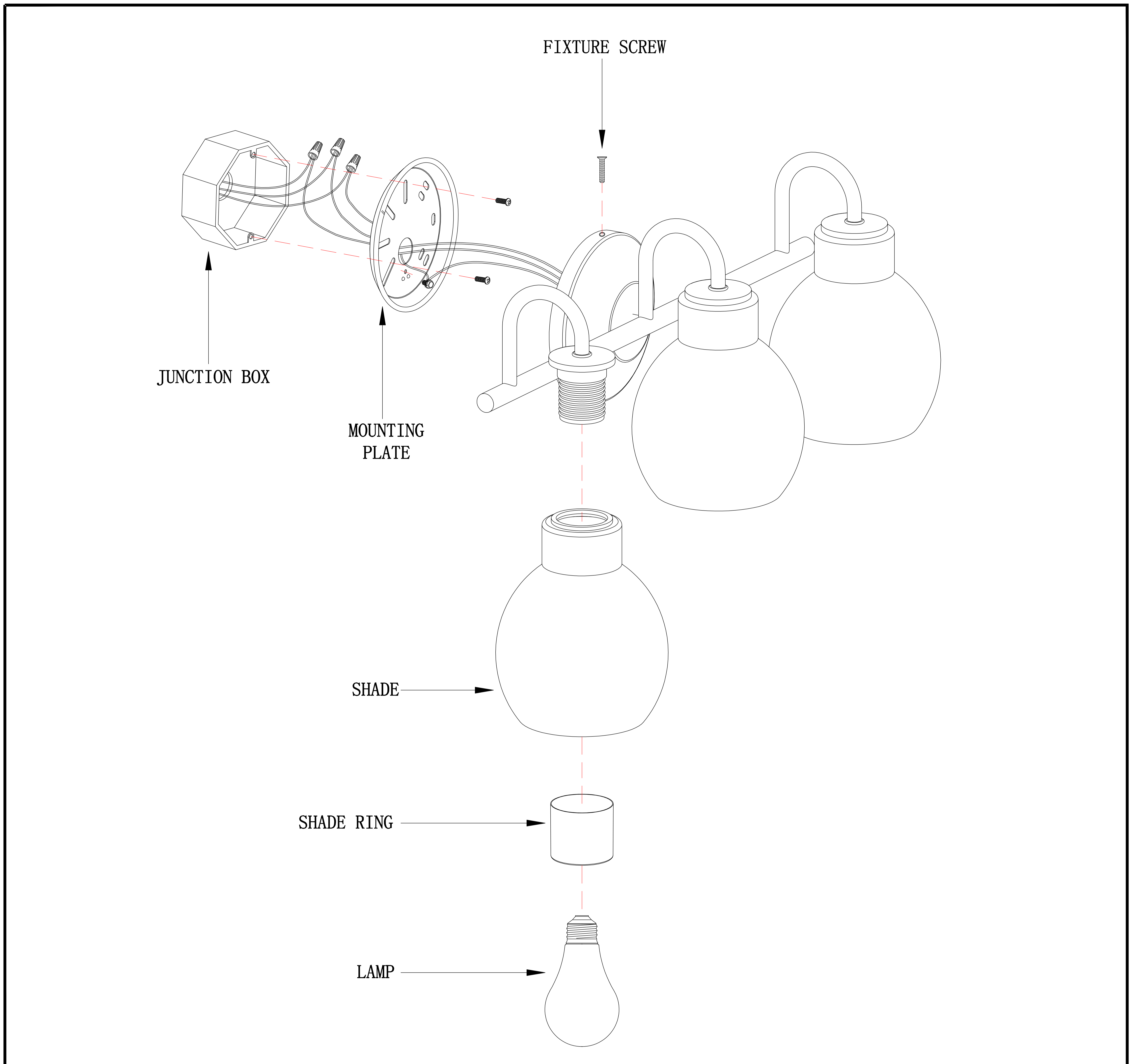
Installation Instructions for WL105

CAUTION RISK OF FIRE - This product must be installed in accordance with the applicable installation code by a person familiar with the construction and operation of the product and the hazards involved.

Use minimum 90°C supply conductors.



Install the Fixture



1. Install the mounting plate to the junction box.
2. Connect the fixture to a suitable ground in accordance to local electrical codes.
3. Connect the white fixture wire (square and/or rigid) to the neutral power line wire with a wire nut.
4. Connect the black fixture wire (round and/or smooth) to the hot power line wire with a wire nut.
5. Neatly place all the wires into the junction box, place the fixture base onto the mounting te, and secure it in place using the fixture screws. plate, and secure it in place using the fixture screws.
6. Install the shade by placing it over the socket
7. Place the shade onto the socket and secure in place by screwing the collar nut onto the socket. Do not over tighten. Repeat for remaining shades.
8. Screw the lamp(s) into the socket(s). Refer to the label on the socket for Max Wattage Information.