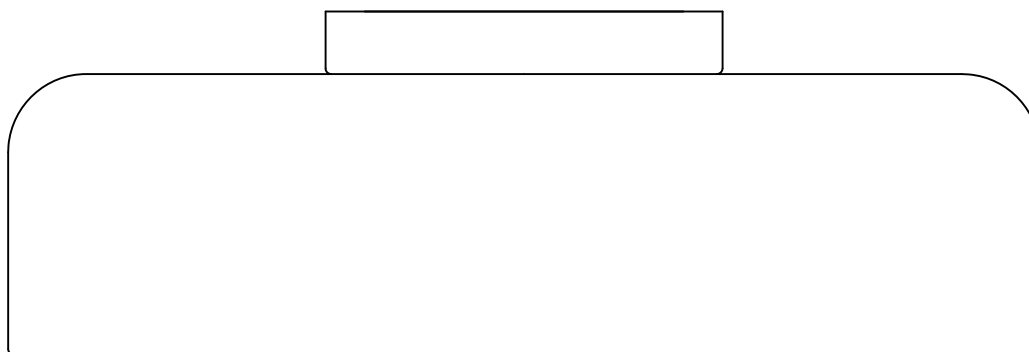


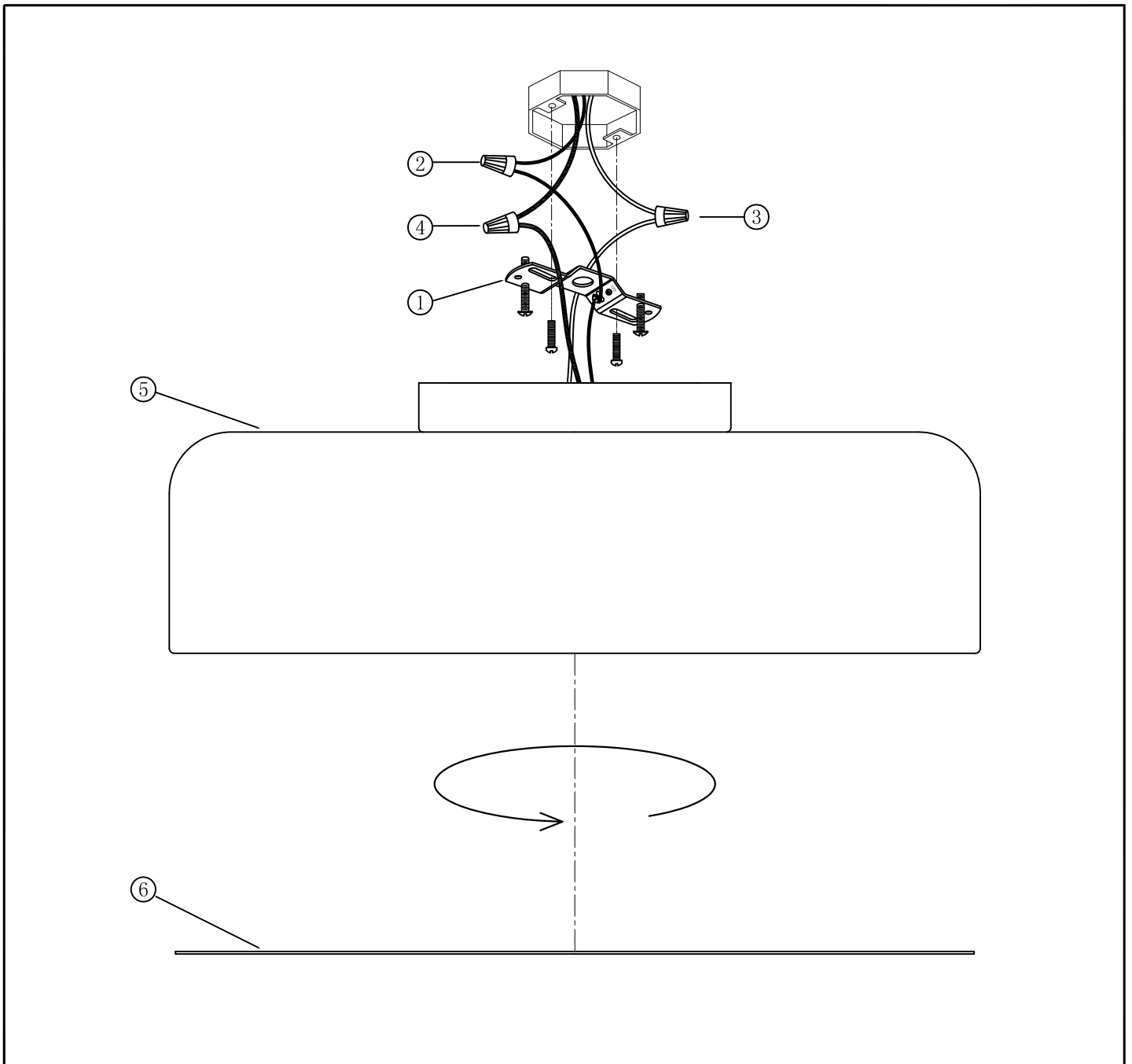
Installation Instructions for WL102

CAUTION RISK OF FIRE - This product must be installed in accordance with the applicable installation code by a person familiar with the construction and operation of the product and the hazards involved.

Use minimum 90°C supply conductors.



Install the Fixture



1. Secure the mounting plate to the junction box.
2. Wrap the middle of the ground wire from the fixture around the ground screw on the mounting plate. Use a wire nut to connect the ground wire from the fixture.
3. Connect the white fixture wire (square and/or rigid) to the neutral power line wire with a wire nut.
4. Connect the black fixture wire (round and/or smooth) to the hot power line wire with a wire nut.
5. Neatly place all the wires into the junction box, Rotate the lamp body to the ceiling and tighten the screws to lock the lamp body.
6. Put the diffuser inside the lampshade. The diffuser needs to squeeze both sides to fit into the lampshade.