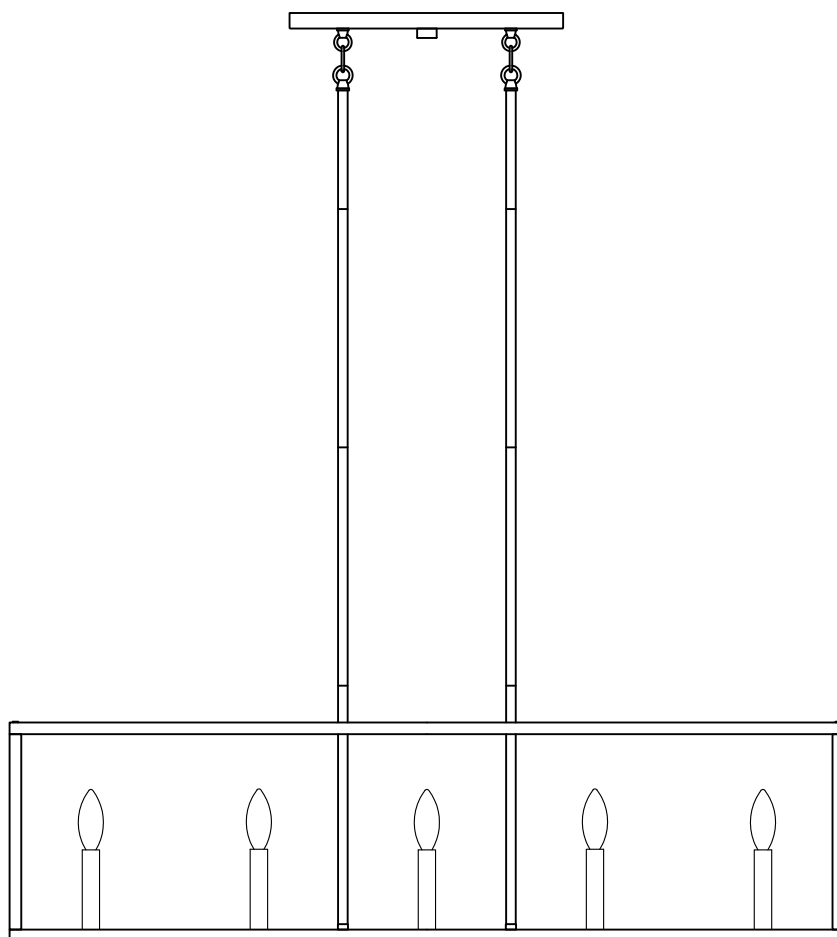


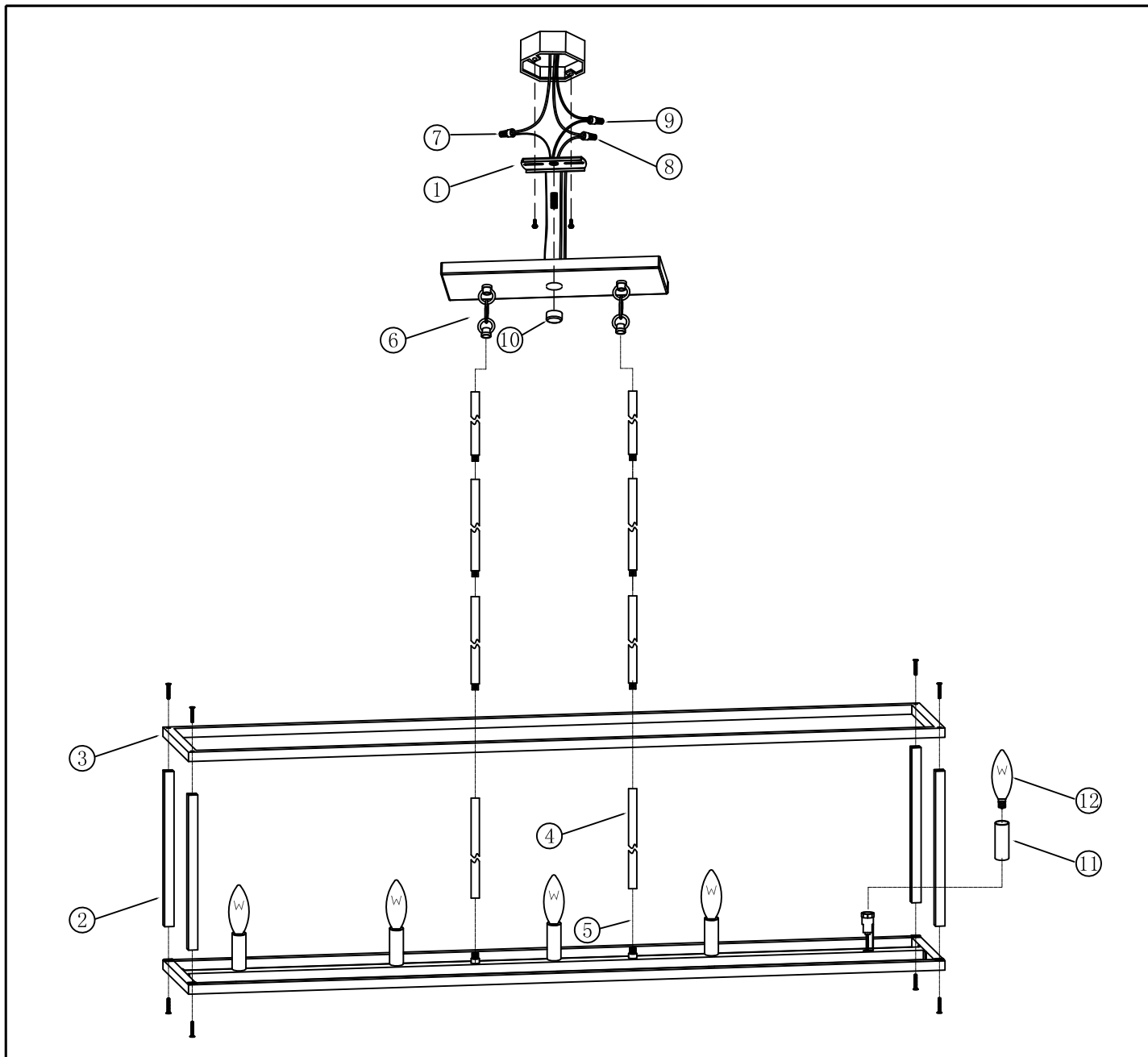
Installation Instructions for WL103

CAUTION RISK OF FIRE - This product must be installed in accordance with the applicable installation code by a person familiar with the construction and operation of the product and the hazards involved.

Use minimum 90°C supply conductors.



Install the Fixture



1. install the mounting plate to the junction box.
2. Install the side frame to the lower frame and secure them together using the frame screws.
3. Install the upper frame to the side frame and secure them together using the frame screws.
4. Determine the wanted height or look of the fixture with and assemble them by screw thread them together.
5. Feed the fixture wires through the stem assembly and screw the stem assemblies onto the top of the fixture.
6. Unscrew the hex nuts and washers and remove the hang straights from the canopy. Feed the fixture wires through the link and loop, then the canopy. then screw the link and loop to the stems. Place the canopy onto the links and loops and tighten the hex nuts and washers to secure in place.
7. Wrap the middle of the ground wire from the fixture around the ground screw on the mounting plate. Use a wire nut to connect the ground wire from the fixture .
8. Connect the white fixture wire (square and/or rigid) to the neutral power line wire with a wire nut.
9. Connect the black fixture wire (round and/or smooth) to the hot power line wire with a wire nut.
10. Neatly place all the wires into the junction box, place the canopy onto the mounting studs, and secure it in place by screwing the cap nuts onto the studs.
11. Install the candle tubes by sliding them over the sockets.
12. Screw the lamps into the sockets. Refer to the label on the socket for Max Wattage Information.