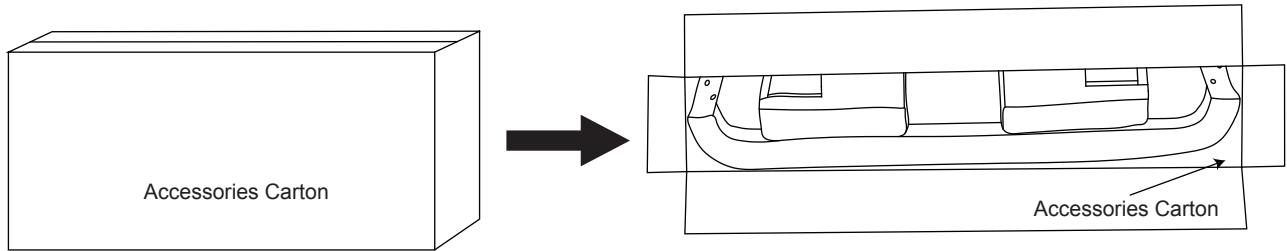
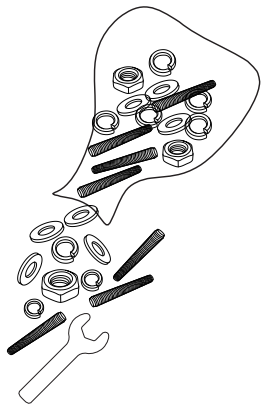


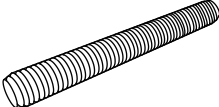


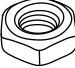
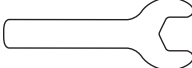
# ASSEMBLY INSTRUCTION

## Parts List

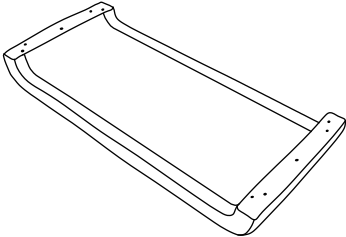
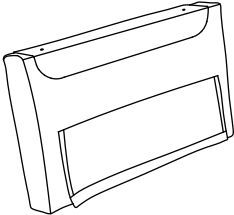


### Accessories Carton



A		M8*70mm	10
B		M8*22*2mm	10
C		M8	10
D		M8	10
E		M14	1

### Long Bench Accessories

Label	Picture	Description	QTY
F		seat	1
G		leg	2

# Assembly Steps

