











# Assembly Instructions

**Caution : You must read this before you proceed**

## Care & Maintenance

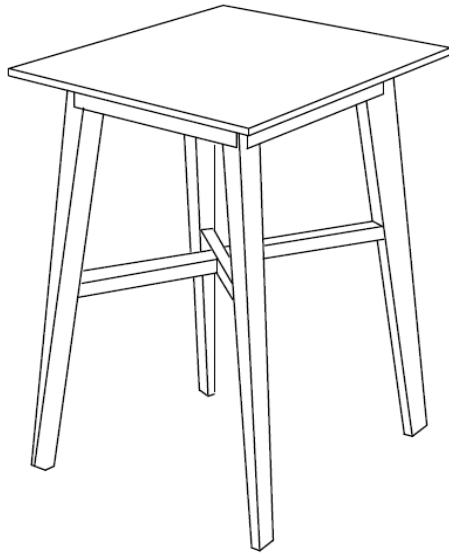
- ⊘  ● Not for commercial use. For residential use only.
- ✓  ● Furniture may scratch floors. We recommend using furniture pads to protect your floors.
- ⊘  ● Do not put hot items directly on furniture surface.
- ⊘  ● Do not clean furniture with harsh cleansers or polish.
- ⊘  ● Do not place furniture under direct sunlight.
- ⊘  ● Do not place furniture near heating or cooling vents.
- ⊘  ● Do not write on furniture without a padded barrier to protect the surface.
- ⊘  ● Do not place furniture outside . For indoor use only.
- ⊘  ● Stains may be removed with mild soap solution and damp cloth.
- ⊘  ● Children should not climb or jump on the furniture.




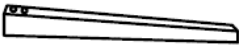
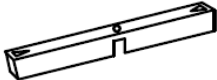
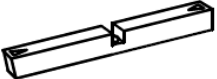
- Dust and pick-up spills using a clean, non-colored, lint-free cloth.

Please look in the pouch for hardware packs and legs.





# BAR TABLE



## Part List

Label	Picture	Description	QTY
A		Table Top	1
B		Leg	4
C		Leg Support (up)	1
D		Leg Support (down)	1

# Hardware

Label	Picture	Description	QTY
①		JCBC SEMS Bolt ( M6 x 50mm )	9
②		Allen Wrench ( M4mm )	1
③		JCBC SEMS Bolt ( M6 x 30mm )	2
④		JCBC W Screw ( M6 x 50mm )	5

# Assembly Preparation

Before Beginning Assembly:



① x 9



②



③ x 2



④ x 5



- Read instructions, cover to cover-



- Have 2 adults on hand for assembly-



- Do not assemble on flooring or carpet-



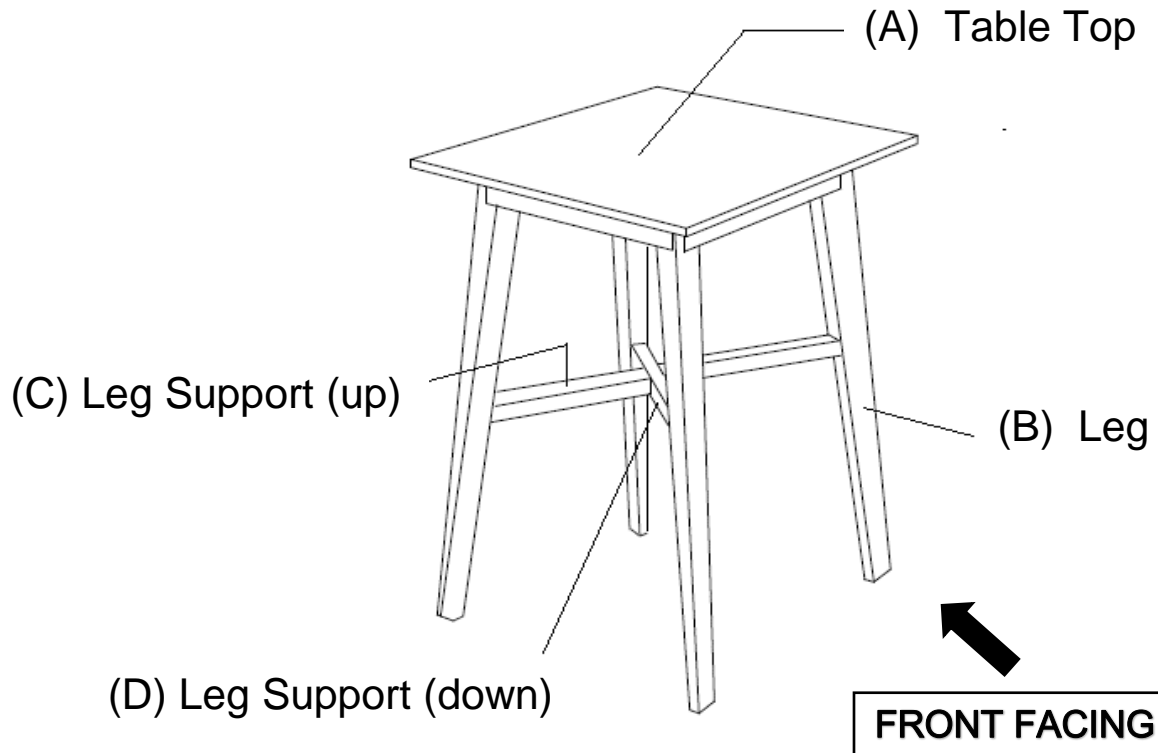
- Assemble on a clean non-marring surface (packing foam)-



- Save all packaging until finished-

# Assembly Steps

## Overview



This Table has multiple parts and may require up to 30 minutes to assemble.

To give you an overview of the parts, the above picture is to help you put the various parts into perspective.

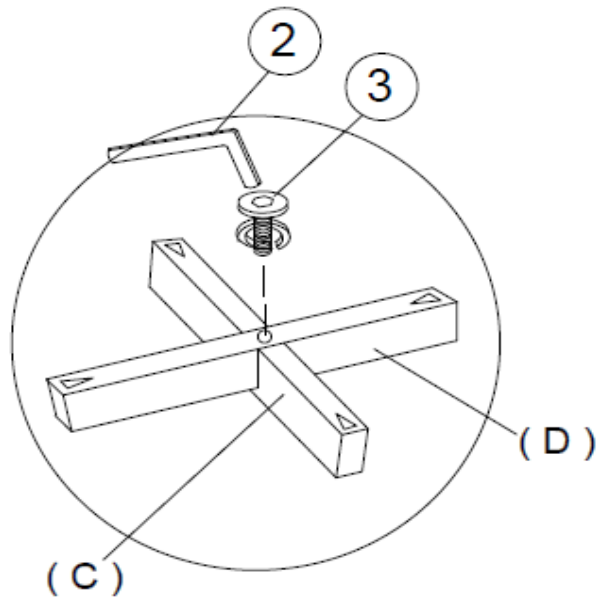
Please read through the instructions below to familiarise the parts and steps before assembly.

### Step 1



Unpack and place all parts on a clean, non-marring surface.

Step 2

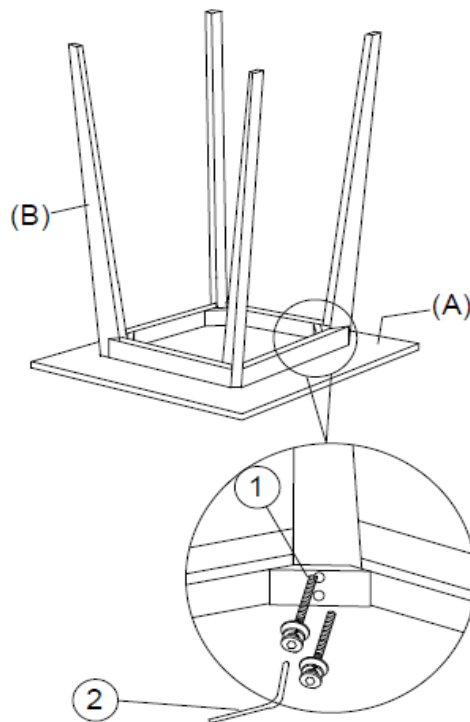


Place the Leg Support (up) (C) and Leg Support (down) (D) onto a clean, soft surface to avoid any scratches or damages to the product. Align the Leg Support (up) (C) into the mortise Leg Support (down) (D) as shown above.

Then insert a JCBC SEMS Bolt ( M6 x 30mm ) ((3)) with Allen Wrench ((2)) into mounting positions.

**Do not fully tighten the Bolts.**

Step 3



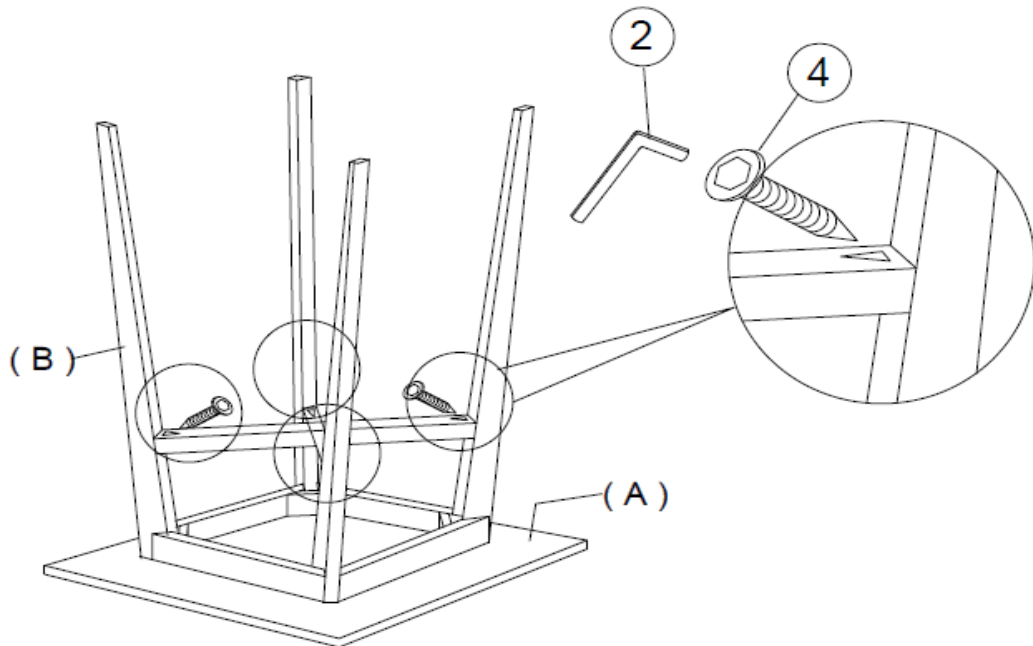
Place the Table Top (A) onto a clean, soft surface to avoid any scratches or damages to the product.

Align the Leg (B) into the mortise Table Top (A) as shown above.

Then insert a JCBC SEMS Bolt ( M6 x 50mm ) (①) with Alley Wrench (②) into mounting positions.

**Do not fully tighten the Bolts.**

Step 4

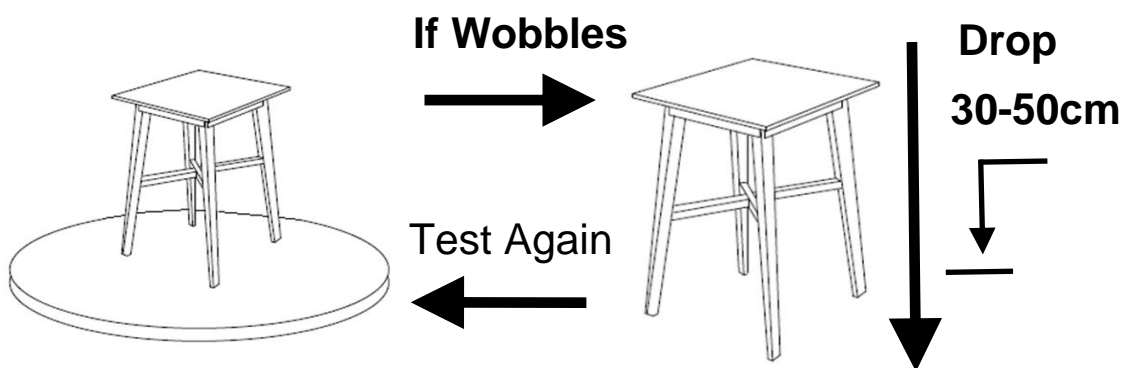


Align the Leg Support (up) (C) and Leg Support (down) (D) into the mortise leg (B) as shown above.

Then insert a JCBC W Screw ( M6 x 50mm ) (④) into mounting positions.

**Do not fully tighten the Screw.**

Step 5



Turn the Table side up.  
Inspect it and make sure all parts are adequately connected.  
Place the Table on a LEVEL SURFACE to see if it wobbles.  
If it wobbles, lift the Table some 30cm to 50cm high from the ground.  
Keep your feet and toes well away from the drop zone.  
Drop the product freely and vertically with the four legs, hitting the ground, at the same time.  
This Drop Test will help to ensure that all parts and gaps reach full alignment status.

Test again for evenness on a LEVEL SURFACE.

If no wobbles found, proceed to tighten all the Bolt and Screws at all joints.

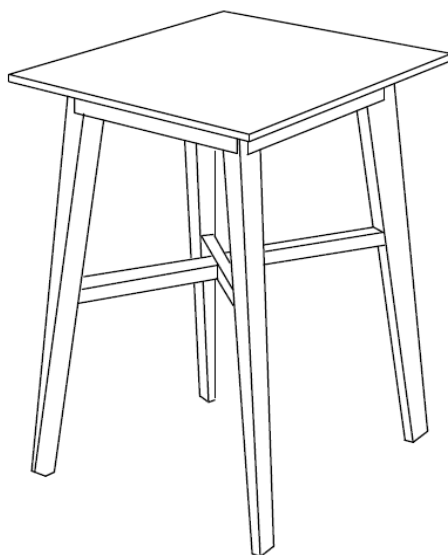
**When tightening the Bolts and Screws, tighten sequentially.**

**DO NOT tighten any Bolt or Screw fully and then move on towards the next one.**

**This would cause the frame to warp.**

**If there is still wobbles, loosen the Bolts and execute this same drop test.**

#### Step 6



Your Bar Table ready for use.

This Bar Table can only be used on flat, level surface.