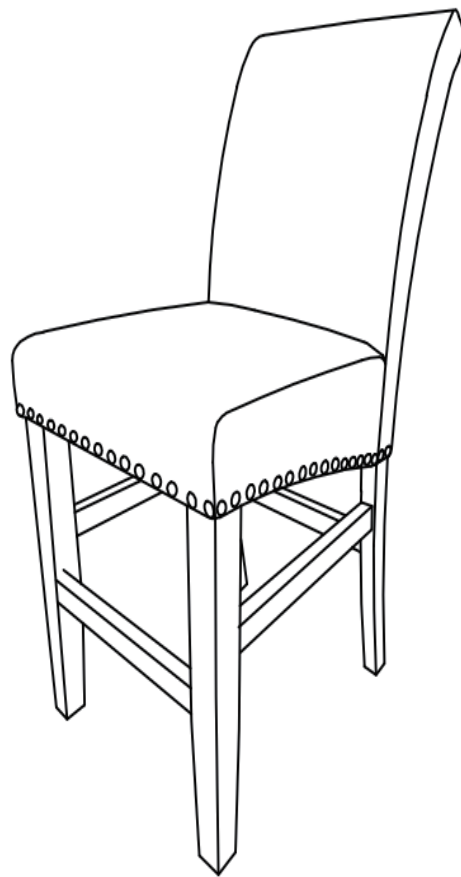


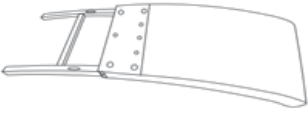
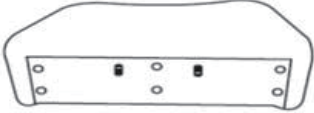
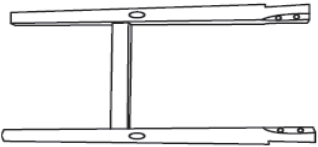

# Assembly Instructions

Caution: You must read this before you proceed.







## Bar Chair



## Parts List

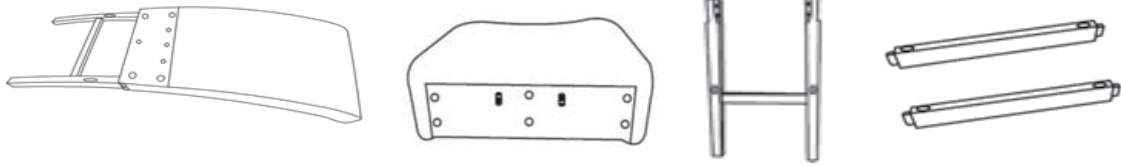
Part NO.	Picture	Description	QTY
A		Chair Back	1 PC
B		Chair Seat	1 PC
C		Front Leg Frame	1 PC
D		Side Rails (the side with holes as bottom side to face the floor after assembled)	2 PCS

## Hardware

Label	Picture	Description	QTY
1		75 mm Long Bolt	5 PCS
2		60 mm Long Bolt	7 PCS
4		Flat Washer Ring	12 PCS
5		Spring Washer Ring	12 PCS
6		Allen Key+Screwdriver	1 PC
7		Screw ( 4*50mm )	5 PCS

# Assembly Preparation

Before Beginning Assembly:



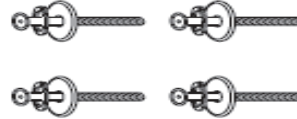
Pack A for assembling the Chair Seat(B) to the horizontal panel with two dowels of Chair Back(A) at the central point

2pc of 60mm Long Bolts + 2pc of Flat Washer Ring + 2pc of Spring Washer + one Allen Key



Pack B for assembling the Chair Seat(B) to the hind legs of Chair Back(A)

4pcs of 75mm Long Bolts+4pcs of Flat Washer Rings+ 4pcs of Spring Washer



Pack C for assembling the Chair Seat(B) to the Front Leg Frame( C )

4pcs of 60mm Long Bolts + 4pcs of Flat Washer Rings + 4pcs of Spring Washer



Pack D for assembling the Side Rails(D) to the Chair Back(A) and Front Leg Frame( C )

1pc of Screwdriver + 4pcs  $\varnothing$  4\*50mm Screws



- Read instructions, cover to cover-



- Have 2 adults on hand for assembly-



- Do not assemble on flooring or carpet-



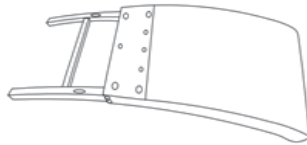
- Assemble on a clean non-marring surface (packing foam)-



- Save all packaging until finished-

# Assembly Steps

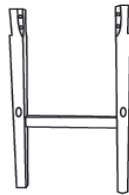
## Step 1



A. Chair Back



B. Chair Seat with black calico/velcro tapes



C. Front Leg's Frame

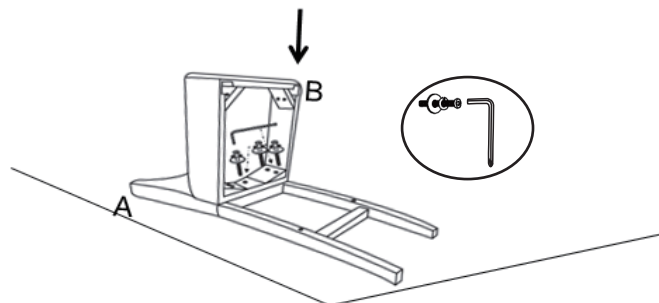


D. Side Rails

Place the Chair Back(A) and Chair Seat (B) on a soft surface to avoid any scratches or damages to the product.

REMOVE the Seat Base Cover from the underside of the Chair Seat(B), take out the Side Rails (D) and hardware.

## Step 2



Put the Chair Back( A) onto a flat table or panel.

Insert the positioning dowels on the Chair Seat Back Panel (B) to the positioning holes on the Chair Back Panel(A).

Align the holes on Chair Back(A) with the holes on Chair Seat Frame(B).

Use your left hand to push the seat frame floorwards, depicted by Arrow 1.

This action helps to ensure the Chair Seat(B) is pressed towards to the Chair Back(A) with no gap between these.

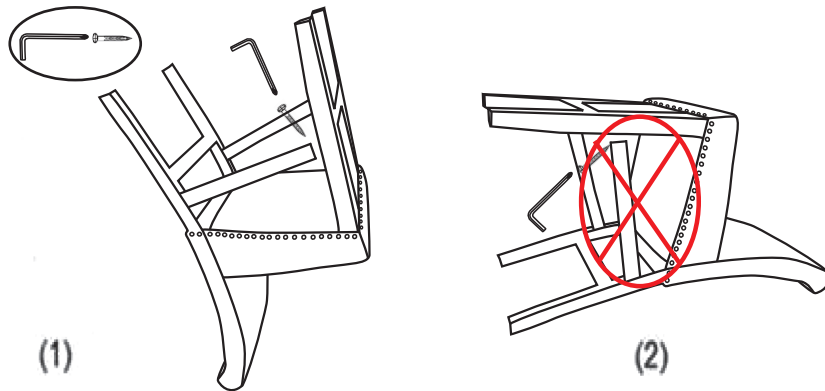
Then, lock the middle mounting point by using Hardware Pack A and the corner mounting points by using Hardware Pack B, with the Allen Key.

**WARNING!! DO NOT OVER TIGHTEN. OVER TIGHTENING COULD LEAD TO DAMAGE OF THE PRODUCT.**

**TIGHTEN ONLY UNTIL SECURE AND STABLE**

## Assembly Steps

### Step 3



Next, place the chair onto the side of a table as seen in Picture 1. You will now have the chair bottom and legs facing skywards. Insert the Front Leg Frame (C) into the Chair Seat (B). Then, insert the Side Rails(D) into the Hind Legs and Front Legs. The mounting points on these Side Rails shall be floor facing, after fully assembled.

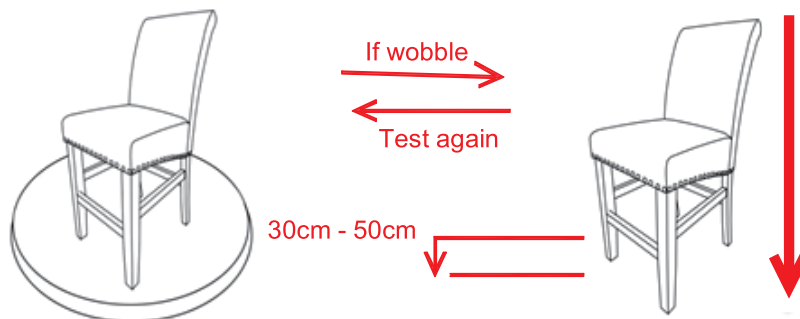
**WARNING!! DO NOT POSITION THE FRONT LEG AS SHOWN IN PICTURE 2 .**

**THIS PICTURE SHOWS THE CHAIR BACK STAYS AGAINST THE GROUND and THE LEGS HORIZONTAL IN MIDAIR.**

Use "PACK C" to assemble the Front Leg Frame(C) to the Seat Frame (B),  
Then use "PACK D" to hold the Side Rails with the Front and Hind Legs.

**WARNING!! DO NOT OVER TIGHTEN. OVER TIGHTENING COULD LEAD TO DAMAGE OF THE PRODUCT.  
TIGHTEN ONLY UNTIL SECURE AND STABLE.**

#### Step 4



Place the chair on a LEVEL SURFACE to see if it wobbles.

If it wobbles, lift the chair to some 30cm to 50cm height from the ground.

Keep your feet and toes well away from the drop zone.

Drop the chair freely and vertically with the four legs, hitting the ground, at the same time.

This Drop Test will help to ensure that all the bolts and gaps to all reach full alignment status.

Test again for evenness on a LEVEL SURFACE.

If no wobbles found, **proceed to tighten all the bolts.**

**CAUTION** : When tightening these bolts, tighten sequentially.

**DO NOT** tighten any screw fully and then towards the next one.

This would cause the frame to warp.

If there is still wobbles, loosen the bolts and execute this same drop tests.

**WARNING!! IF CHAIR IS NOT STABLE , IT COULD LEAD TO DAMAGING THE PRODUCT.**



#### Step 5



Place the Seat Base Cover back underneath the chair seat (as shown in picture) from where it was removed from originally. Smooth down with your hand on the velcro tapes on all 4 sides at the edge of the seat box. Turn the chair upside down, it is now ready for use.

## Care & Maintenance

-   • Do not put hot items directly on furniture surface.
-   • Do not clean furniture with harsh cleansers or polish.
-   • Do not place furniture under direct sunlight.
-   • Do not place furniture near heating or cooling vents.
-   • Do not write on furniture without a padded barrier to protect the surface.
-   • Do not place furniture outside. For indoor use only.
-   • Not for commercial use. For residential use only.
-   • Stains may be removed with mild soap solution and damp cloth.

- 
-   • Dust and pick-up spills using a clean, non-colored, lint-free cloth.