

Assembly Instructions

Caution : You must read this before you proceed

Care & Maintenance



- Not for commercial use. For residential use only.



- Furniture may scratch floors. We recommend using furniture pads to protect your floors.



- Do not put hot items directly on furniture surface.



- Do not clean furniture with harsh cleansers or polish.



- Do not place furniture under direct sunlight.



- Do not place furniture near heating or cooling vents.



- Do not write on furniture without a padded barrier to protect the surface.



- Do not place furniture outside . For indoor use only.



- Stains may be removed with mild soap solution and damp cloth.



- Children should not climb or jump on the furniture.

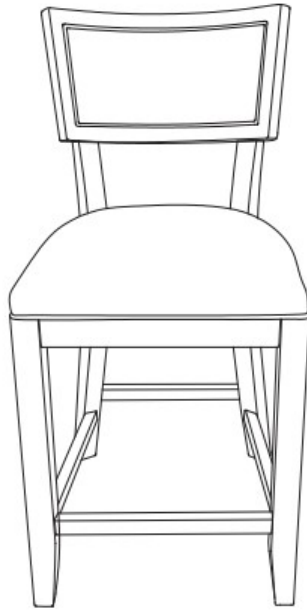


- Dust and pick-up spills using a clean, non-colored, lint-free cloth.

Please look in stool for hardware packs and legs.

Sets often ship in multiple boxes and may arrive a day or two apart.





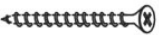
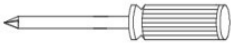
Stool



Parts List

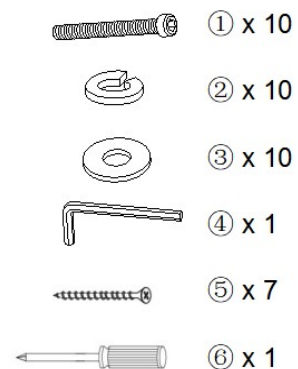
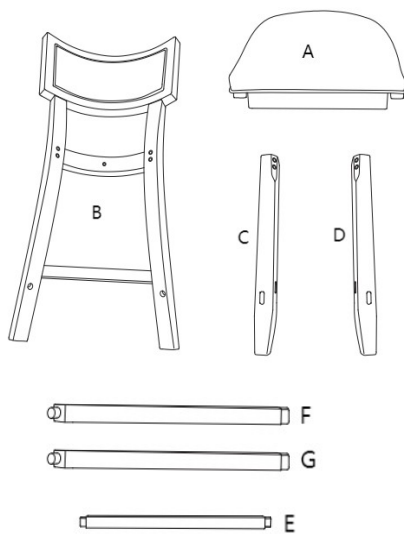
Label	Picture	Description	QTY
A	A line drawing of the seat, showing its curved top and the base where it attaches to the frame.	Seat	1
B	A line drawing of the backrest and rear legs, showing the curved backrest and the two rear legs.	Back with Legs	1
C	A line drawing of the left front leg, showing its curved shape and the attachment point at the bottom.	Left Front Leg	1
D	A line drawing of the right front leg, showing its curved shape and the attachment point at the bottom.	Right Front Leg	1
E	A line drawing of the front stretcher, showing its rectangular shape and the attachment points at the ends.	Front Stretcher	1
F	A line drawing of the left stretcher, showing its rectangular shape and the attachment points at the ends.	Left Stretcher	1
G	A line drawing of the right stretcher, showing its rectangular shape and the attachment points at the ends.	Right Stretcher	1

Hardware

Label	Picture	Description	QTY
①		Bolt (M8*60MM)	10
②		Spring Washer	10
③		Washer	10
④		Allen Wrench	1
⑤		Screw (M4x45mm)	7
⑥		Screw driver	1

Assembly Preparation

Before Beginning Assembly:



- Read instructions, cover to cover-



- Have 2 adults on hand for assembly-



- Do not assemble on flooring or carpet-



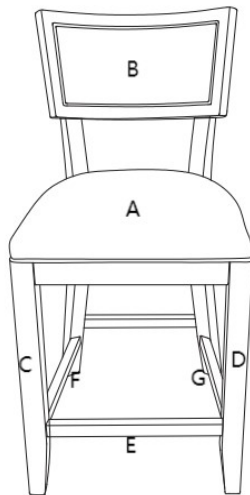
- Assemble on a clean non-marring surface (packing foam)-



- Save all packaging until finished-

Assembly Steps

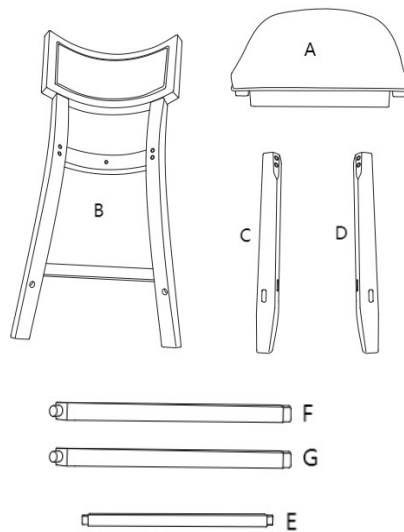
Overview




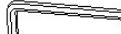
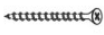



FRONT FACING

This Chair has multiple parts and may require up to 30 minutes to assemble. To give you an overview of the Chair parts, the above picture is to help you put the various parts into perspective. Please read through the instructions below to familiarise yourself with the parts and steps before assembly.

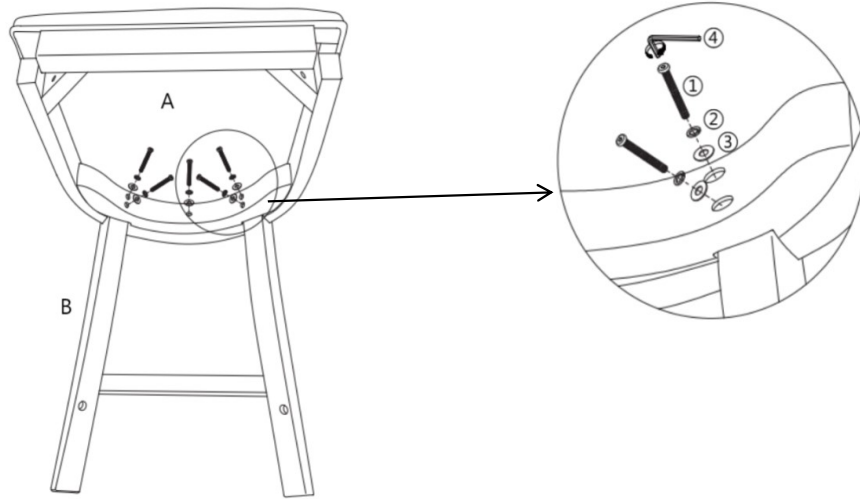
Step 1



-  ① x 10
-  ② x 10
-  ③ x 10
-  ④ x 1
-  ⑤ x 7
-  ⑥ x 1

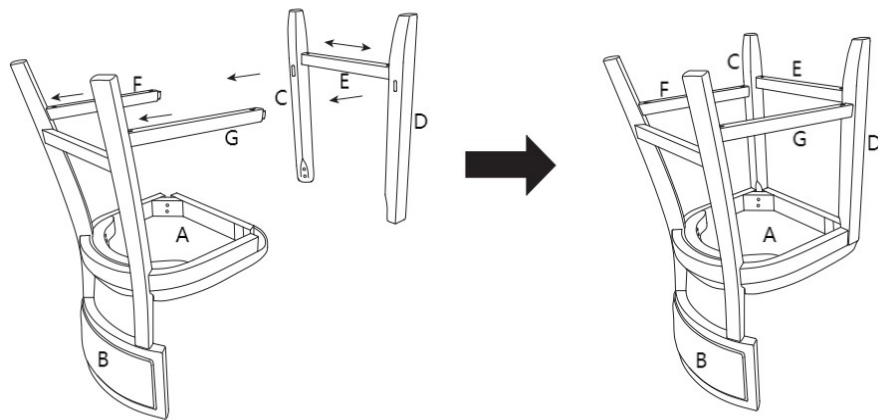
Unpack and place all parts on a clean, non-marring surface.

Step 2



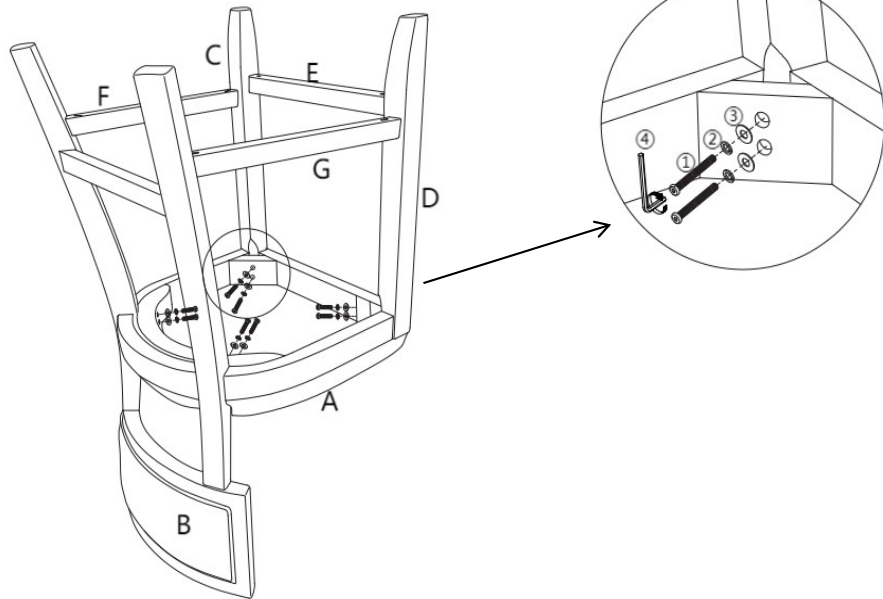
Attach the Seat(A) to the Back with Legs(B) using Bolts(①), Spring Washers(②) and Washers(③) with the Allen Allen Wrench(④). Do not fully tighten the bolts.

Step 3



Place the assembled Seat(A) and Back with Legs(B) downward on a clean, non-marring table.
Attach the Front Stretcher(E) into the mounting position of Left Front Leg(C) and Right Front Leg(D).
Attach the Left Stretcher(F) & Right Stretcher(G) into the mounting position of Back with Legs (A).
Attach the assembled Front Stretcher(E) & Left Front Leg(C) & Right Front Leg(D) into the mounting positions of Left Stretcher(F) & Right Stretcher(G)

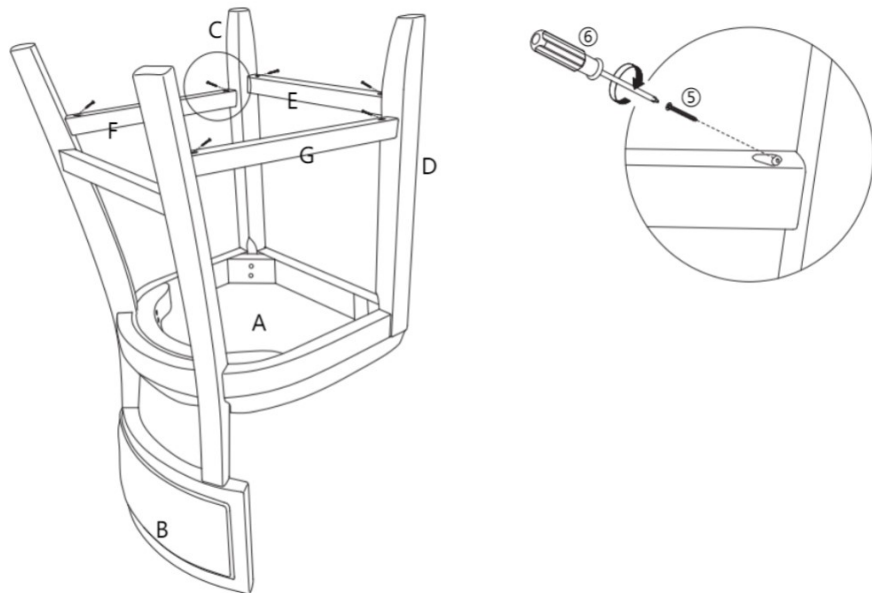
Step 4



Tighten the Seat (A) into the mounting positions of Left Front Leg(C) & Right Front Leg(D) using Bolts(①),Spring Washers(②) and Washers(③) with the Allen Wrench(④).

Do not fully tighten the bolts.

Step 5

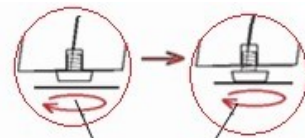
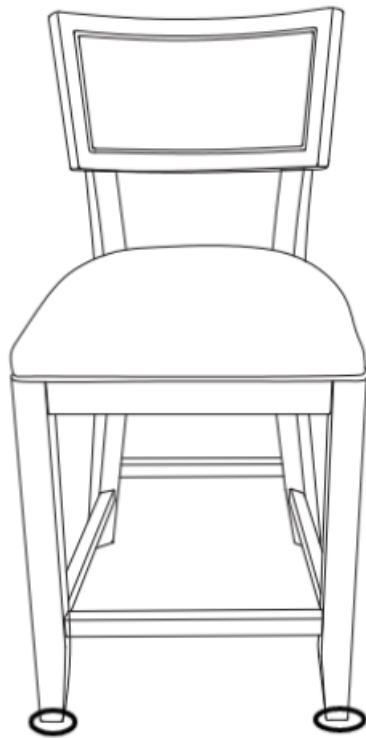


Place the assembled stool face down on a clean, non-marring table.

Ensure that all the mounting positions on the Stretchers are facing upwards as shown in the picture.

Tight all the Stretchers using Screws(⑤) with the Screw driver(⑥)

Step 6



**Adjust Pre-installed Levellers
height to achieve balance**

Turn the stool right side up.

Check for stability and then tighten all the remaining bolts.

DO NOT fully tighten a bolt in one go and then move on to the next.

Rather, in a sequential manner, gradually tighten each bolt until all bolts are evenly secured. This methodology will ensure maximum evenness once all bolts are fully tightened.

If the stool wobbles, adjust the Pre-installed Levellers at the bottom of the Legs until the stool is level.

Your stool is ready for use.

This Stool can only be used on a flat, level surface