











Assembly Instructions

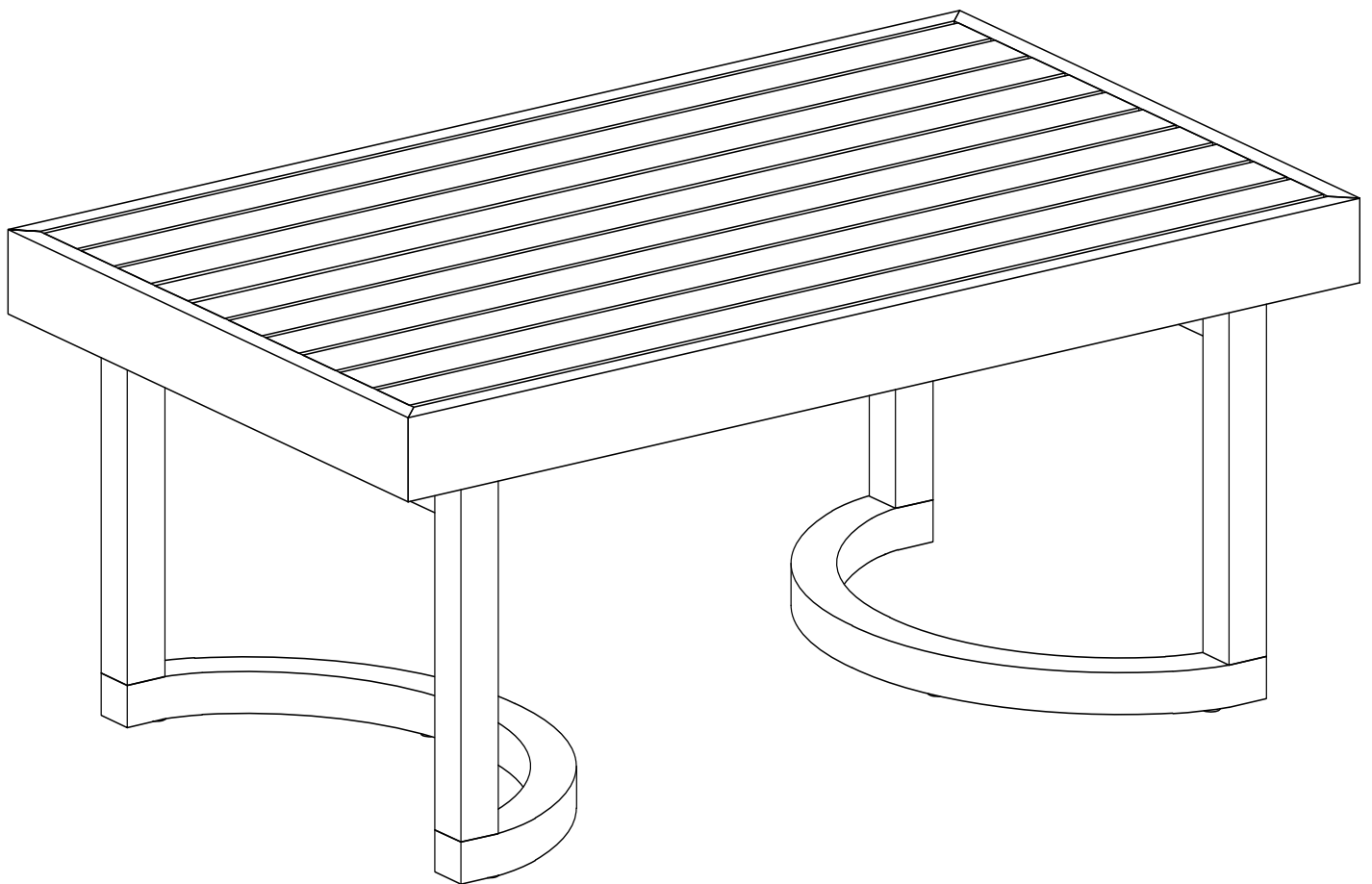
CAUTION: You must read this Assembly Instructions before you proceed.

Care & Maintenance

- ⊘  ● Not for commercial use. For residential use only.
- ⊘  ● Do not put hot items directly on furniture surface.
- ⊘  ● Do not clean furniture with harsh cleansers or polish.
- ✓  ● To obtain the longest lifespan of your outdoor products, minimizing exposure to direct sunlight is recommended.
- ⊘  ● Children should not climb or jump on the furniture.
- ⊘  ● Do not write on furniture without a padded barrier to protect the surface.
- ✓  ● To obtain the longest lifespan of your outdoor products, avoid extended and lengthy exposure to rain, snow, and direct sunshine. Whenever possible cover the product and /or place under patio or awnings.
- ⊘  ● Stains may be removed with mild soap solution and damp cloth.
- ✓  ● Keep away from sources of ignition .
- ✓  ● Dust and pick-up spills using a clean, non-colored, lint-free cloth.

Please look under the Seat Panel for hardware pack.

TABLE

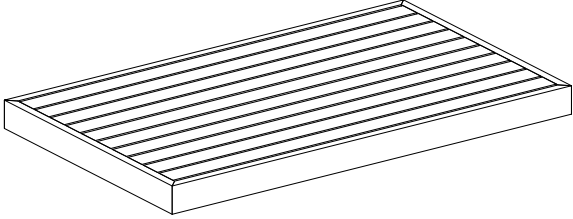
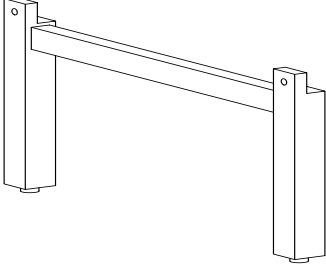
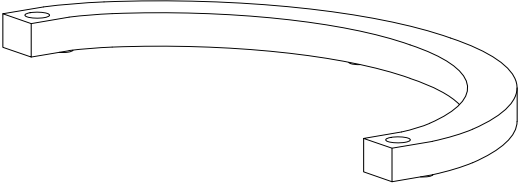


CAUTION : This Table is NOT a TOY.




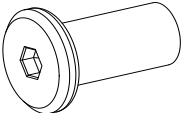
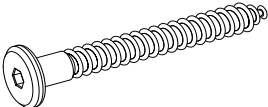

Keep your child / children at bay in the process of assembly.

For turning the Table and to prevent damage to the Table, 02 persons may be needed to execute this action.

Parts List

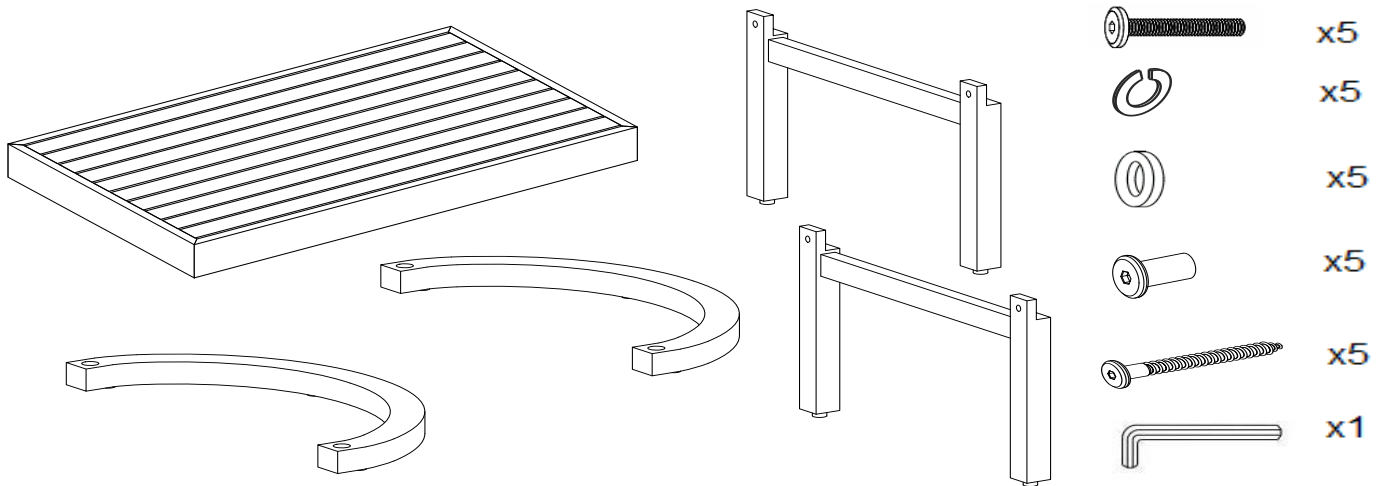
No.	Picture	Description	Qty
G		Table Top	1
H		Leg Panel	2
I		Leg Support Panel	2

Hardware

Label	Picture	Description	QTY
③		Bolt (M6 x 35x15mm)	5
④		Spring Washer	5
⑤		Washer	5
⑥		Sleeve Nut	5
⑦		Screws (M7x60x15mm)	5
⑧		Allen Wrench (K4)	1

Assembly Preparation

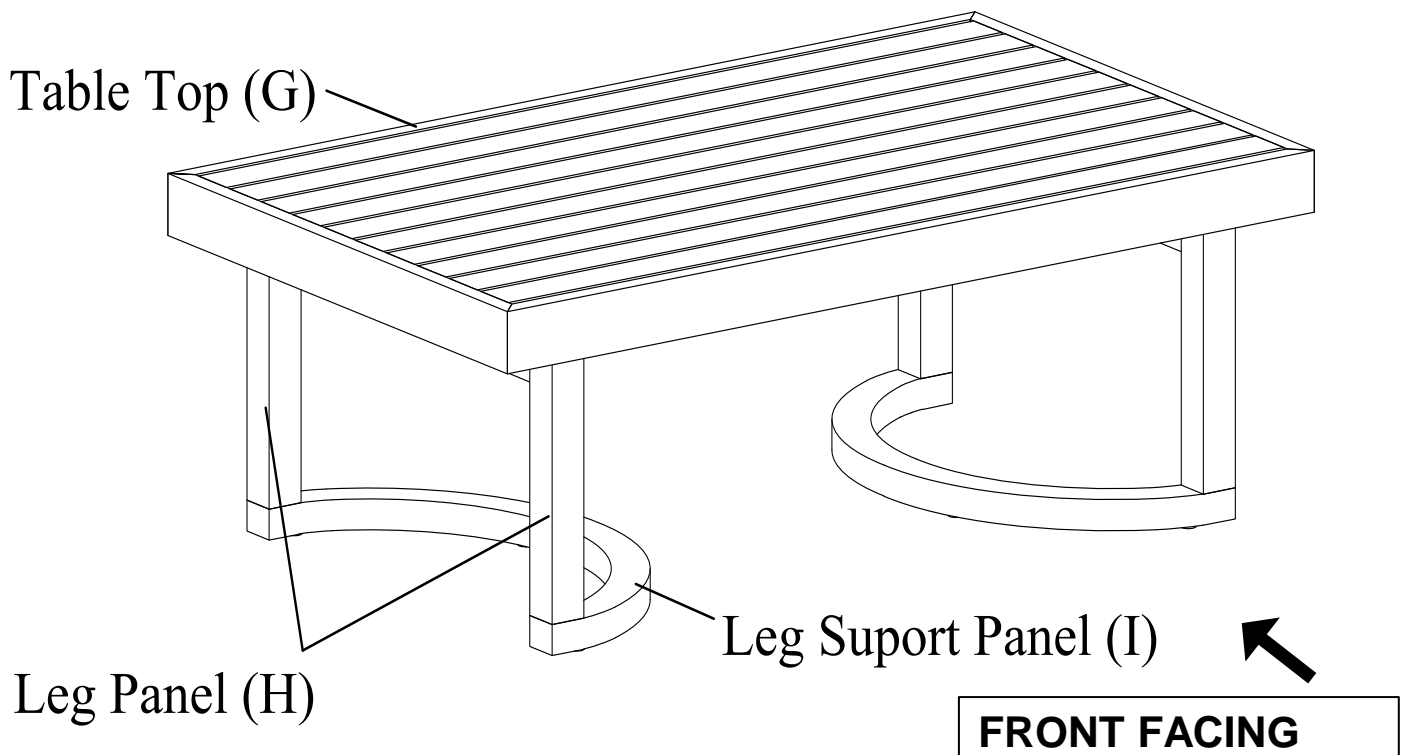
Before Beginning Assembly:



- Read instructions, cover to cover.
- Have 2 adults on hand for assembly.
- Do not assemble on flooring or carpet.
- Assemble on a clean non-marring surface (packing foam).
- Save all packaging until finished.

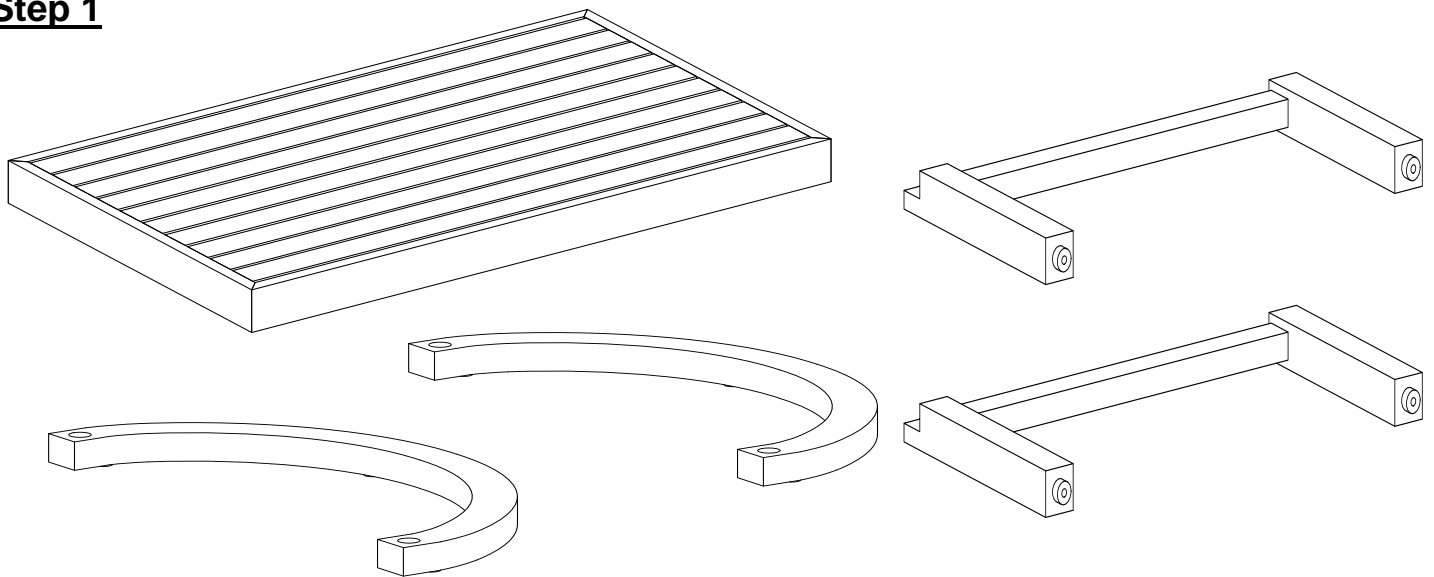
Assembly steps

Overview



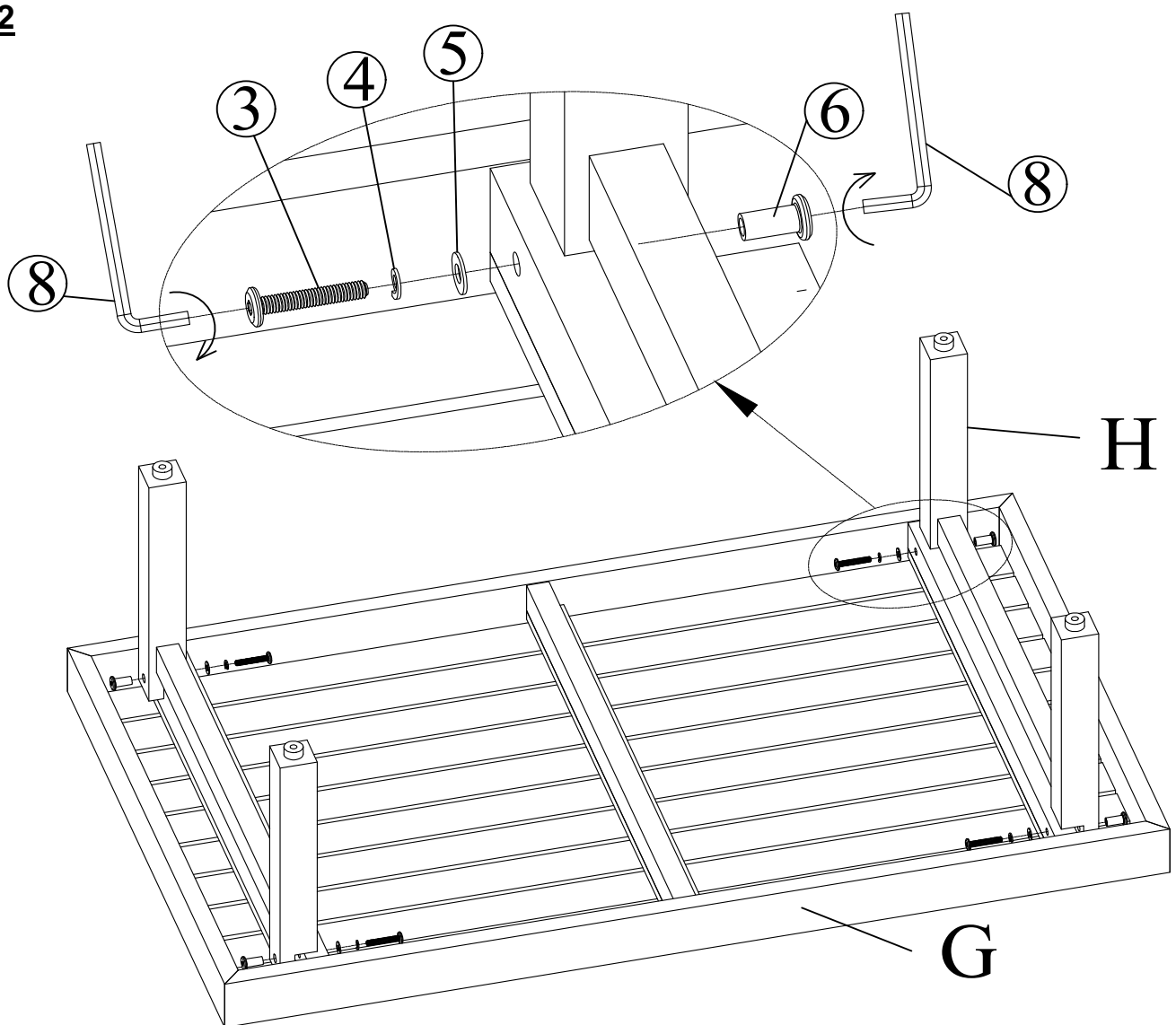
This Table has multiple parts and may require up to 15 minutes to assemble. To give you an overview of the Table parts, the above picture is to help you put the various parts into perspective. Please read through the instructions below to familiarise yourself with the parts and steps before assembly.

Step 1



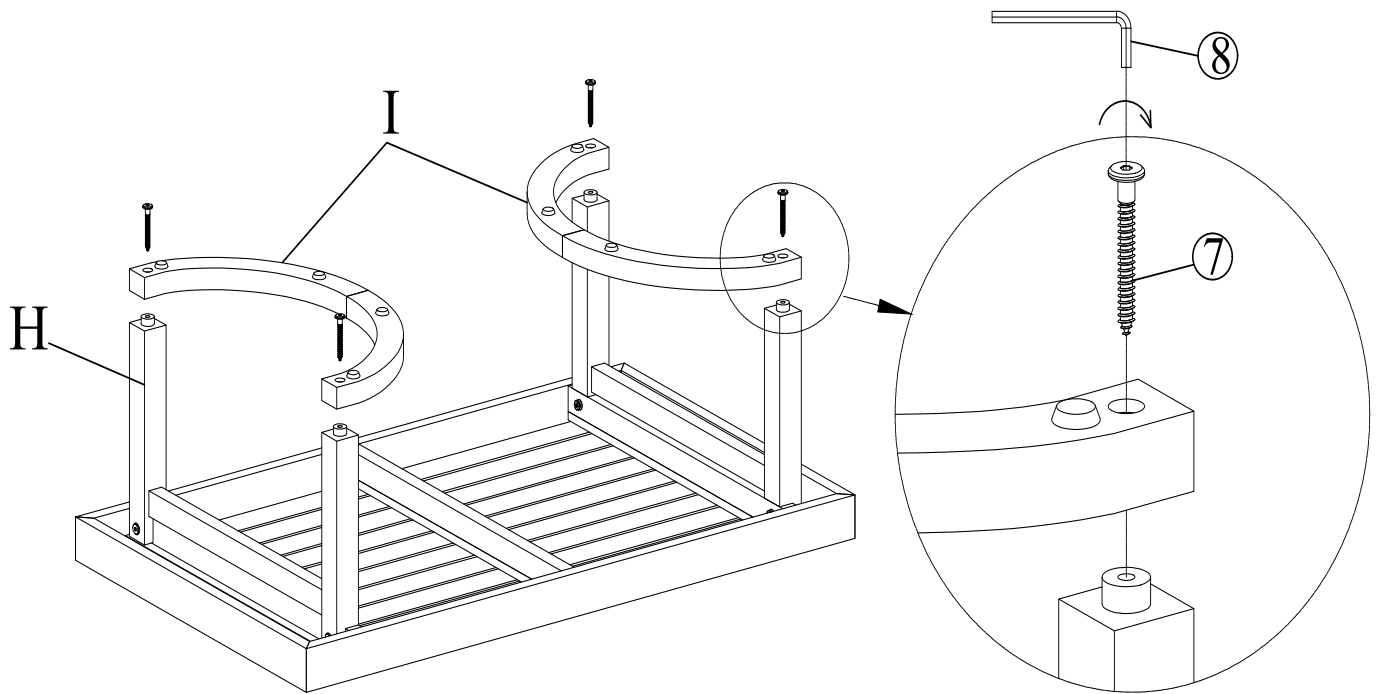
Unpack and place all parts on a clean, non-marring surface.

Step 2



Place the Table Top (G) facedown on a clean, non-marring surface as shown above.
Attach the Leg Panel (H) to the Table Top (G) using Spring Washers (4), Washers (5), Bolts (3), Sleeve Nut (6) and the Allen Wrench (8) as shown above.
Repeat the same process with the remaining Leg Panel (H)
Do not fully tighten the Bolts

Step 3

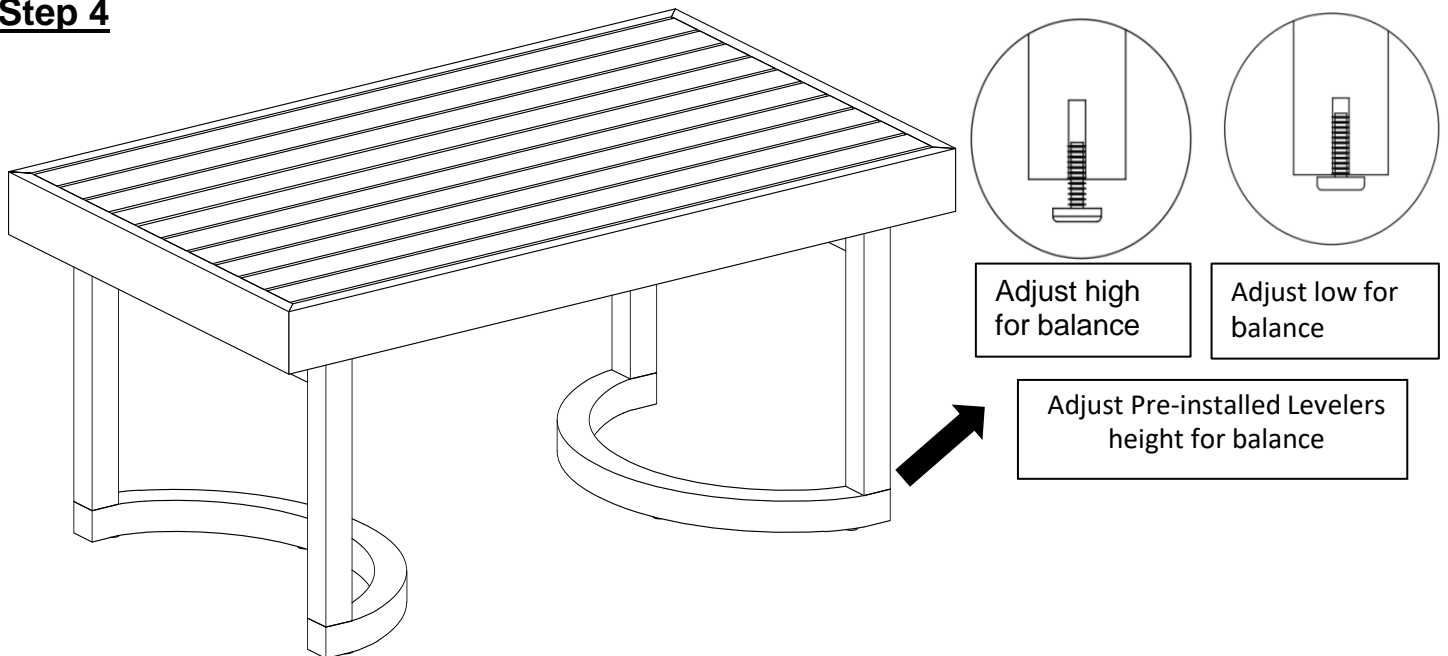


With assistance from your adult partners, attach the Leg Support Panel (I) to the Leg Panel (H) using Screws (7) and Allen Wrench (8) as shown above.

Repeat the same process with the remain Leg Support Panel (I).

Do not fully tighten the Bolts

Step 4



Turn the Table right side up.

EXERT pressure, floorwards, onto the Table with both hands.

This pressure will help the Table reach full alignment at all joints.

Check for wobbles.

Inspect the Table and make sure all parts are adequately connected.

In a sequential manner, tighten all Screws and Bolts at ALL joints.

Your Table is ready for use.

This Table can only be used on a flat, level surface.