



















Assembly Instructions

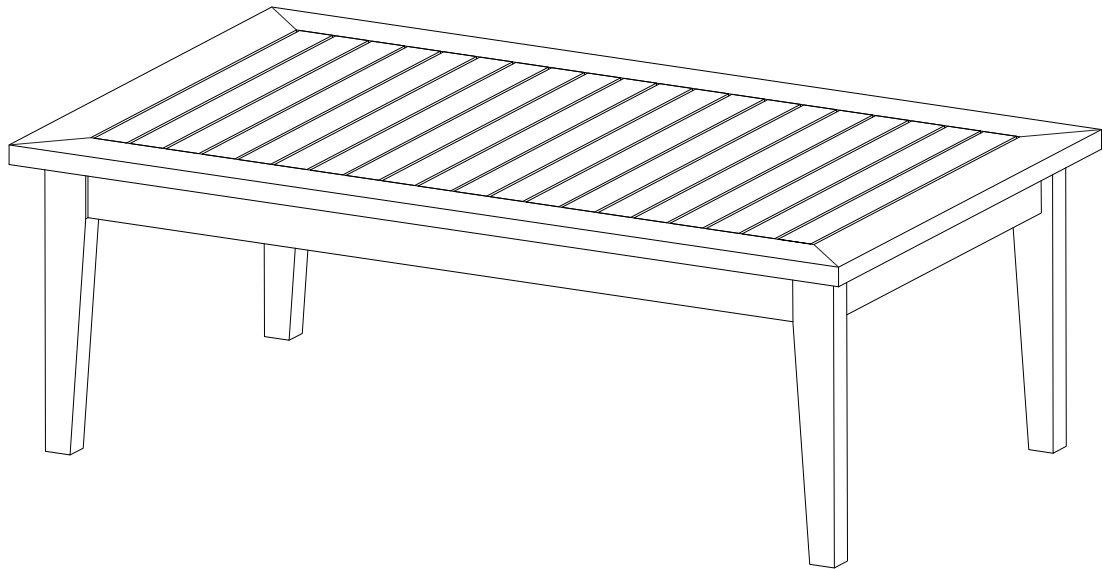
Caution : You must read this before you proceed

Care & Maintenance

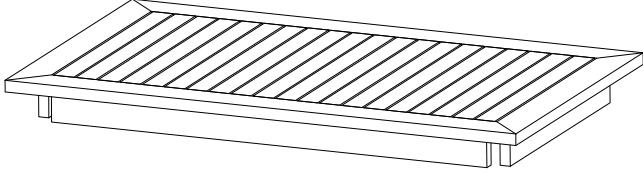


-   ● Not for commercial use. For residential use only .
-   ● Do not put hot items directly on furniture surface
-   ● Do not clean furniture with harsh cleansers or polish.
-   ● To obtain the longest lifespan of your outdoor products, minimizing exposure to direct sunlight is recommended.
-   ● Children should not climb or jump on the furniture.
-   ● Do not write on furniture without a padded barrier to protect the surface.
-   ● To obtain the longest lifespan of your outdoor products, avoid extended and lengthy exposure to rain, snow, and direct sunshine. Whenever possible cover the product and /or place under patio or awnings.
-   ● Stains may be removed with mild soap solution and damp cloth.
-   ● Dust and pick-up spills using a clean, non-colored, lint-free cloth .

Please look in the Table Top Panel for hardware packs.

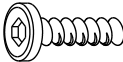


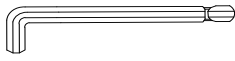
Table - N780P171148F



Parts List

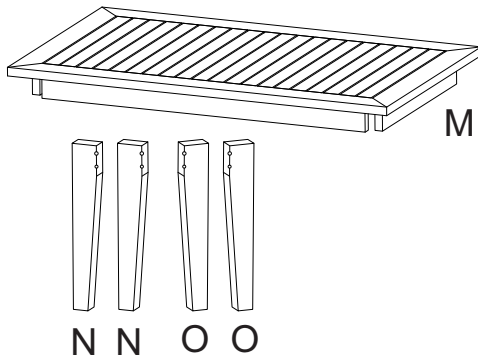
Label	Picture	Description	QTY
M		Table Top Panel	1
N		Right Leg	2
O		Left Leg	2



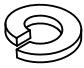

Hardware:

No.	Picture	Description	QTY
⑤		Bolt (M6x65mm)	9
⑥		Flat Washer (M6/16 x 2mm)	9
⑦		Spring Washer (M6/10 x 1mm)	9
⑧		Allen Wrench	1

Assembly Preparation

Before Beginning Assembly:



⑤		x 9
⑥		x 9
⑦		x 9
⑧		x 1



- Read instructions, cover to cover-



- Have 2 adults on hand for assembly-



- Do not assemble on flooring or carpet-



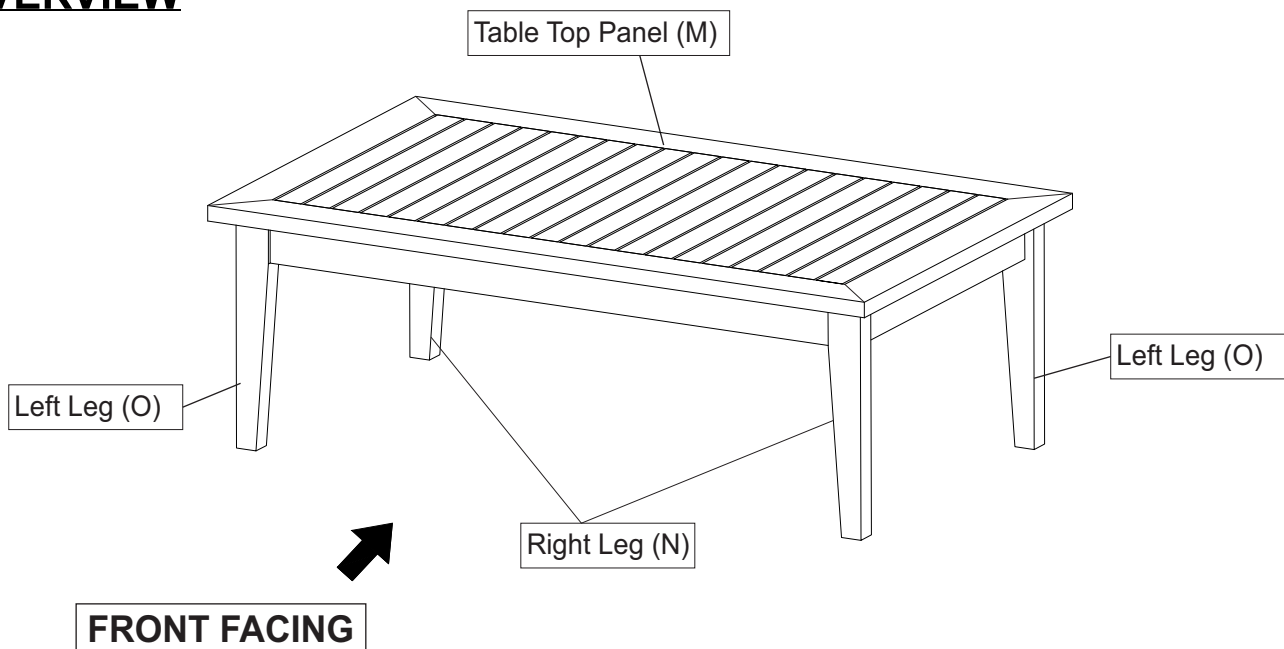
- Assemble on a clean non-marring surface (packing foam)-



- Save all packaging until finished-

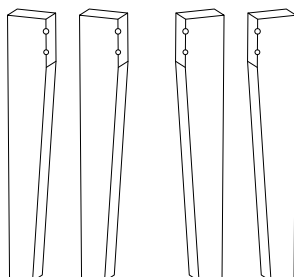
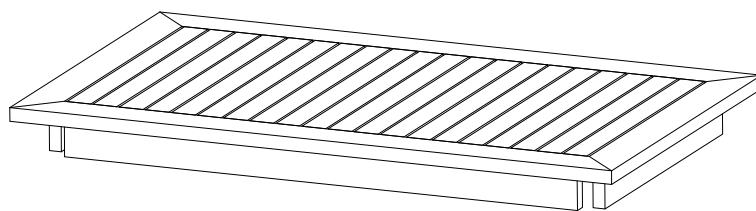
Assembly Steps

OVERVIEW



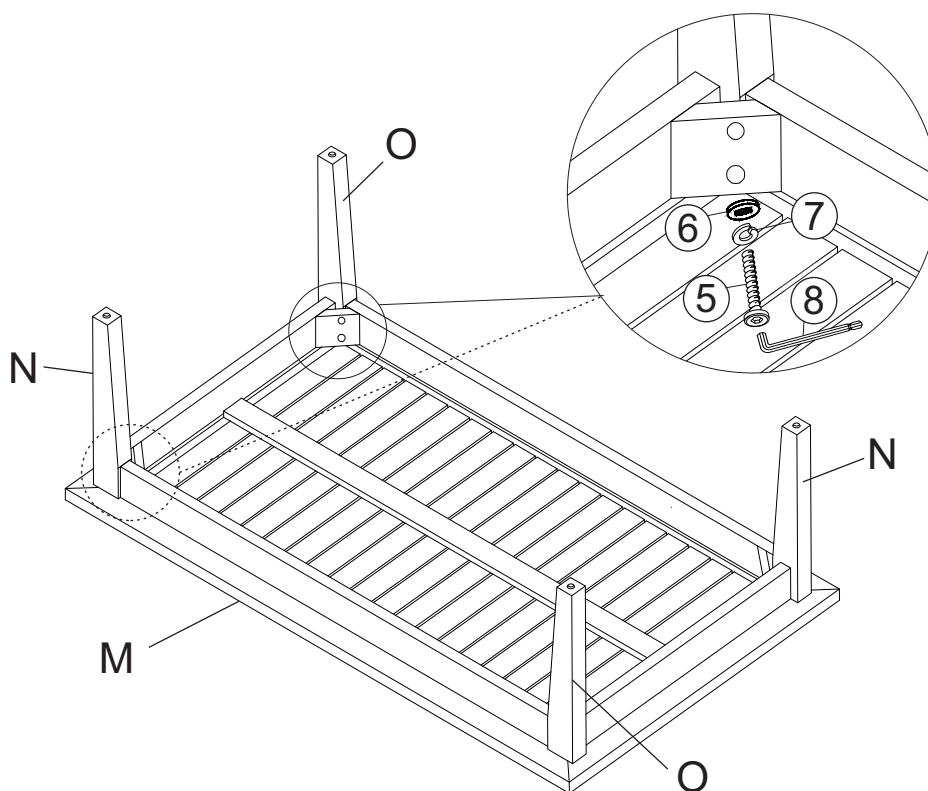
This Table has multiple parts and may require up to 30 minutes to assemble. To give you an overview of the Table parts, the above picture is to help you put the various parts into perspective. Please read through the instructions below to familiarise yourself with the parts and steps before assembly.

Step 1



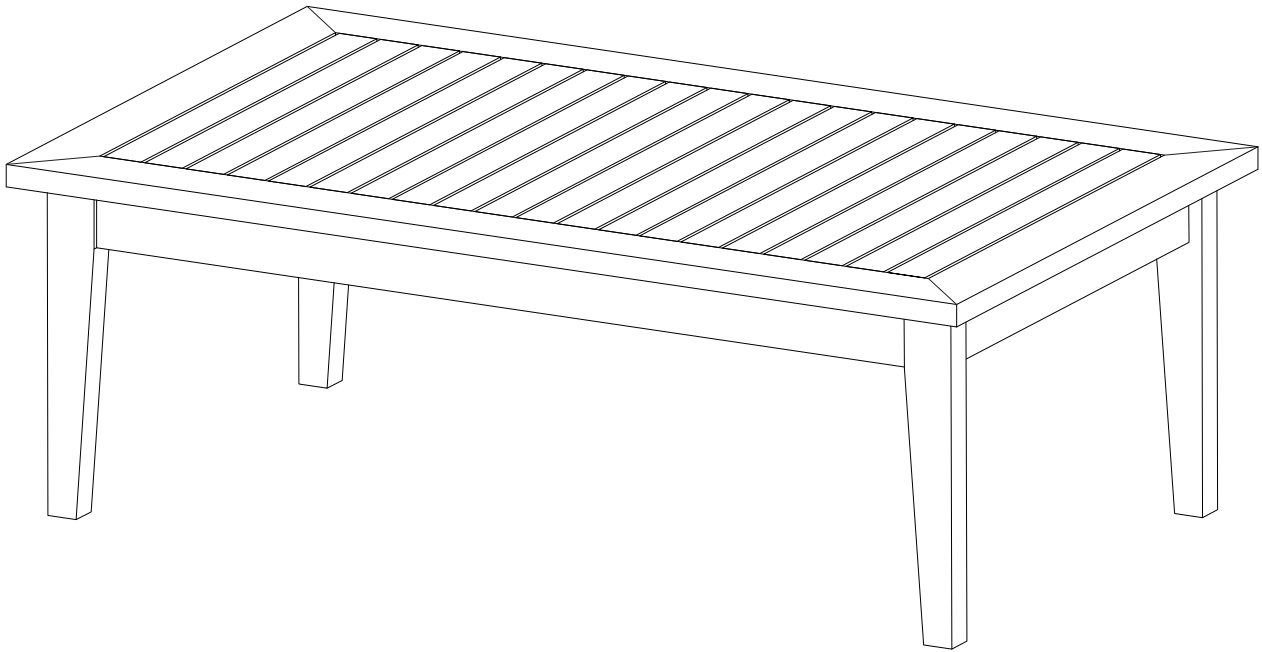
Unpack and place all parts on a clean, non-marring surface.

Step 2



With the help of your adult partner, place the Table Top Panel (M) on the surface as shown above. Attach the Right Leg Panel (N) and Left Leg Panel (O) to the Table Top Panel (M) using Bolts (5), Flat Washer (6) and Spring Washer (7) with Allen Wrench (8) as shown in the picture above. Repeat the same process with the rest Right Leg Panel (N) and Left Leg Panel (O).
Do not fully tighten the Bolts.

Step 3



You are now at the FINAL step of this assembly.
In a sequential manner, drive in and fully tighten all bolts.
Thereafter, turn the table right way up.
The Table now is ready to be used.
Caution: This Table can only used on a flat, level surface.