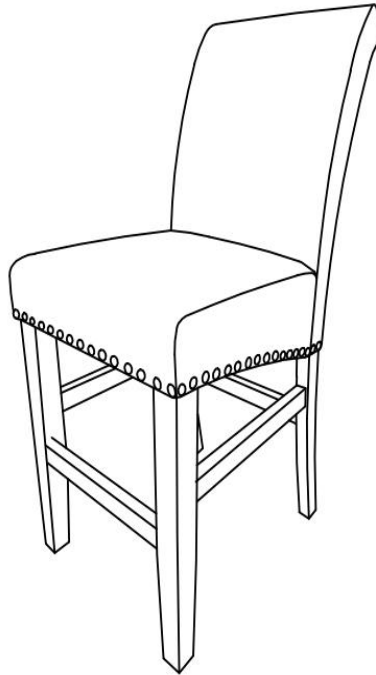


Assembly Instructions

Important, Retain for Future Reference.
Please Read Carefully.







Bar Chair



Parts List

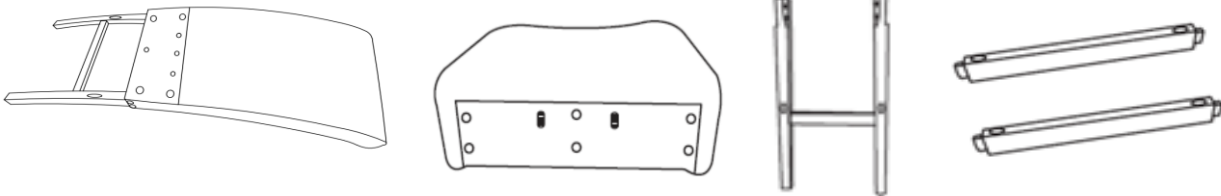
Part NO.	Picture	Description	QTY
A		Chair Back	1
B		Chair Seat	1
C		Front Leg Frame	1
D		Side Rails (Holes Face Floor After Assembly)	2

Hardware

Label	Picture	Description	QTY
①		75mm Long Bolt	5
②		60mm Long Bolt	7
③		Flat Washer Ring	12
④		Spring Washer Ring	12
⑤		Allen Wrench	1
⑥		50mm Screw	5

Assembly Preparation

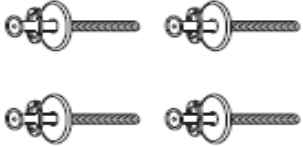
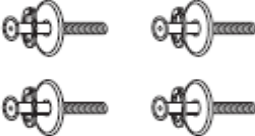

Before Beginning Assembly:



Pack A: for assembling Chair Seat(B), place Chair Seat(B) horizontally, insert two(2) dowels, in central point of Chair Back(A)

60mm Long Bolt: 2
 Flat Washer Ring: 2
 Spring Washer: 2
 Allen Wrench: 1



Pack B: for assembling the Chair Seat(B) to the hind legs of Chair Back(A)	75mm Long Bolt: 4 Flat Washer Ring: 4 Spring Washer: 4	
Pack C: for assembling the Chair Seat(B) to the Front Leg Frame(C)	60mm Long Bolt: 4 Flat Washer Ring: 4 Spring Washer: 4	
Pack D: for assembling the Side Rails(D) to the Chair Back(A) and Front Leg Frame(C)	50mm Screw: 4 Allen Key: 1	



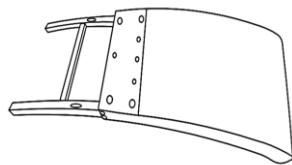
- Read instructions



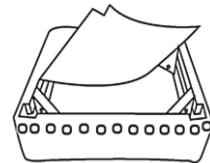
- Assemble on a clean non-marring surface

Assembly Steps

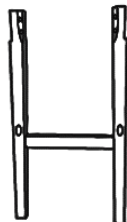
Step 1



A.Chair Back



B.Chair Seat with black calico/velcro tape



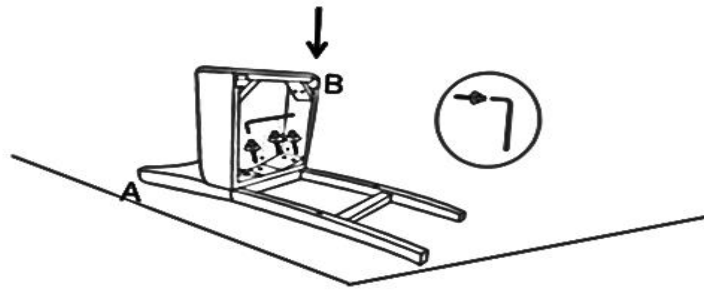
C.Front Leg Frame



D. Side Rails

Place the Chair Back(A) and Chair Seat(B) on a soft surface to avoid any scratches or damage to the product.
 REMOVE the Seat Base Cover from the underside of the Chair Seat(B), pull out the Side Rails(D) and hardware.

Step 2



Place the Chair Back(A) onto a flat surface.

Insert the dowels on Chair Seat(B) into the mounting position in Chair Back(A).

Align the mounting position from Chair Back(A) with the mounting position of Chair Seat(B).

Push the seat frame down as seen in picture 1.

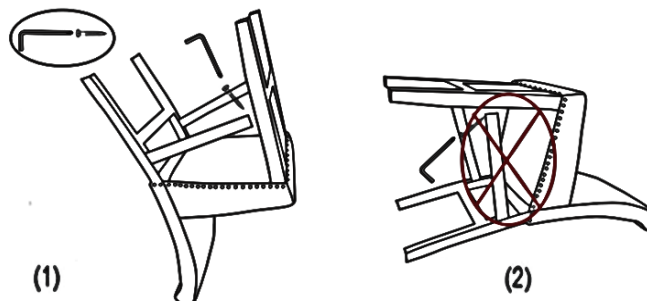
This action helps to ensure the Chair Seat(B) is pressed into the Chair Back(A) with no gap in between.

When complete, lock the middle mounting point by using Hardware "Pack A" and the corner mounting points by using Hardware "Pack B" with Allen Wrench.

WARNING!! DO NOT OVER TIGHTEN. OVER TIGHTENING COULD LEAD TO PRODUCT Damage.

TIGHTEN ONLY UNTIL SECURE AND STABLE.

Step 3



Next, place the chair onto the side of a table as seen in Picture 2.

Face the chair bottom and legs skywards.

Insert the Front Leg Frame(C) into the Chair Seat(B).

Then, insert the Side Rails(D) into the Hind Legs and Front Legs.

The mounting points on these Side Rails will face the floor, after fully assembled.

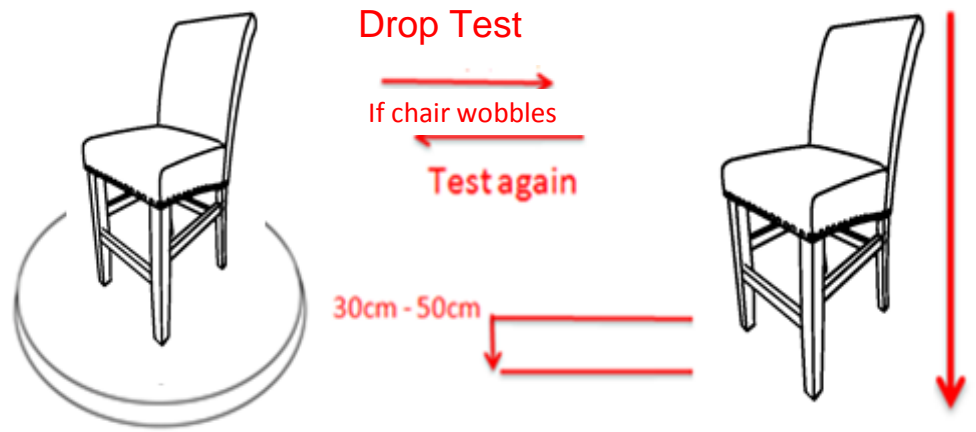
Use hardware "PACK D" to assemble the Front Leg Frame(C) to the Chair Seat(B).

Then use "PACK D" to screw the Side Rails into the Front and Hind Legs.

WARNING!! DO NOT OVER TIGHTEN. OVER TIGHTENING COULD LEAD TO Product Damage.

TIGHTEN ONLY UNTIL SECURE AND STABLE.

Step 4



Place the chair on a **LEVEL SURFACE**.

If uneven, lift the chair 30cm to 50cm height from the ground.

Keep your feet and toes well away from the drop zone.

Drop the chair freely and vertically with the four legs, hitting the ground, at the same time.

This Drop Test will help to ensure all bolts and gaps reach full alignment status.

Test again for evenness on a **LEVEL SURFACE**.

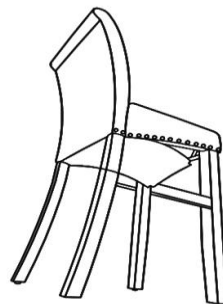
If balanced, **tighten all bolts.**

CAUTION: When tightening these bolts, tighten in sequence.

Not doing so could cause the frame to warp.

If chair is still uneven, loosen the bolts and execute this same drop test.

Step 5












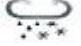










Place the Seat Base Cover underneath the chair seat (as shown in picture), where it was removed from originally.

Press down on the velcro tape on all 4 sides at the edge of the seat box.

Turn the chair upright, it is now ready for use.

Care & Maintenance

-   ● Do not put hot items directly on furniture surface
 -   ● Do not clean furniture with harsh cleansers or polish.
 -   ● Do not place furniture under direct sunlight.
 -   ● Do not place furniture near heating or cooling vents.
 -   ● Do not write on furniture without a padded barrier to protect the surface.
 -   ● Do not place furniture outside. For indoor use only.
 -   ● Not for commercial use. For residential use only .
 -   ● Stains may be removed with mild soap solution and damp cloth.
 -   ● Children should not climb or jump on the furniture.
-
-   ● Dust and pick-up spills using a clean, non-colored, lint-free cloth .

What is Proposition 65?

Proposition 65 is a California law that requires warning labels on products that may contain one of more than 800-plus chemicals or ingredients that the California Office of Environmental Health Hazard Assessment (OEHHA) has deemed to cause cancer or other reproductive toxicity. Chemicals and elements on this list include wood dust, brass, and other everyday substances, which can be found in very common household items, such as: lamps, tableware, jewelry, crystal glasses, electric cords, beauty products, automobiles, and furniture.

Why Did I Find a Proposition 65 Warning on My Home Goods Product?

We include Proposition 65 warnings on all of our products because there is always a chance that one of the 800-plus common chemicals and ingredients listed under this law could potentially be on our furniture or packing materials. We risk large fines under this law, if we don't include this warning.

Should I worry?

We realize you may be worried finding this warning on our products, but we want to reassure you that the hazardous exposure limits for any of these chemicals have never been found on furniture products that we've shipped to our customers. Additionally, this warning label is very common and can be found on almost every piece of furniture sold in the state of California.

Just How Common Are Proposition 65 Warnings?

Proposition 65 warnings have become so common in California that it is hard to take a trip to a local bank, grocery store, or restaurant without finding at least one warning. In fact, even the Disney Land Resort has a Proposition 65 warning:

