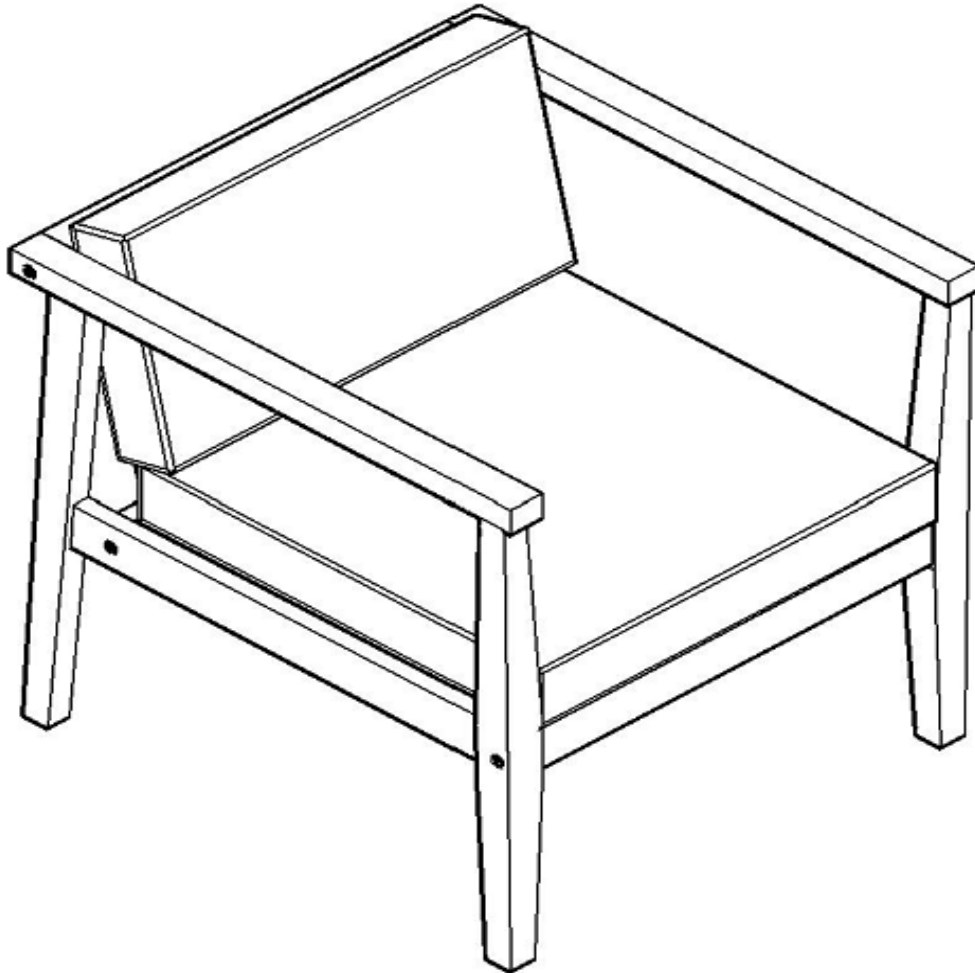


Assembly Instructions

Caution: You must read this before you proceed

Chair

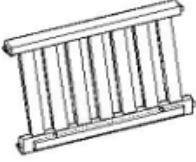


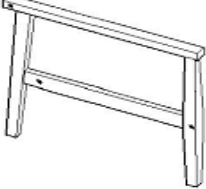
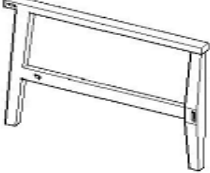
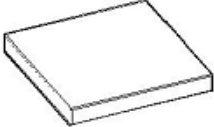



Caution: This Chair is NOT a TOY.




Keep your child/children at bay during the assembly process.

Whenever moving/lifting the Chair and to prevent damage to the Chair, two adults are required to execute these actions.

Parts List

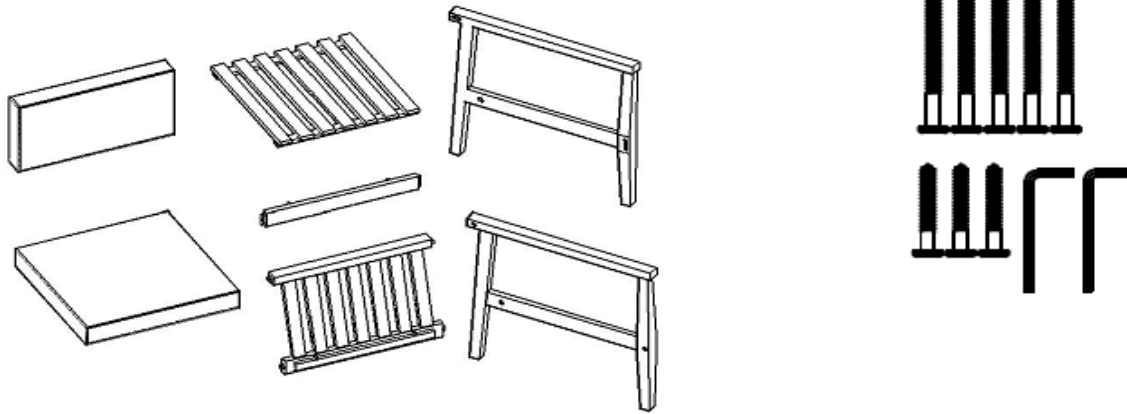
Label	Picture	Description	QTY
A		Backrest Panel	1
B		Seat Panel	1
C		Support Bar	1
D		Left Arm Panel	1
E		Right Arm Panel	1
F		Seat Cushion	1
G		Back Cushion	1

Hardware

Label	Picture	Description	QTY
①		Screw (M7*60mm)	3
②		Screw (M7*80mm)	5
③		Allen Wrench	2

Assembly Preparation

Before Beginning Assembly:



• Read instructions, cover to cover-



• Have 2 adults on hand for assembly-



• Do not assemble on flooring or carpet-



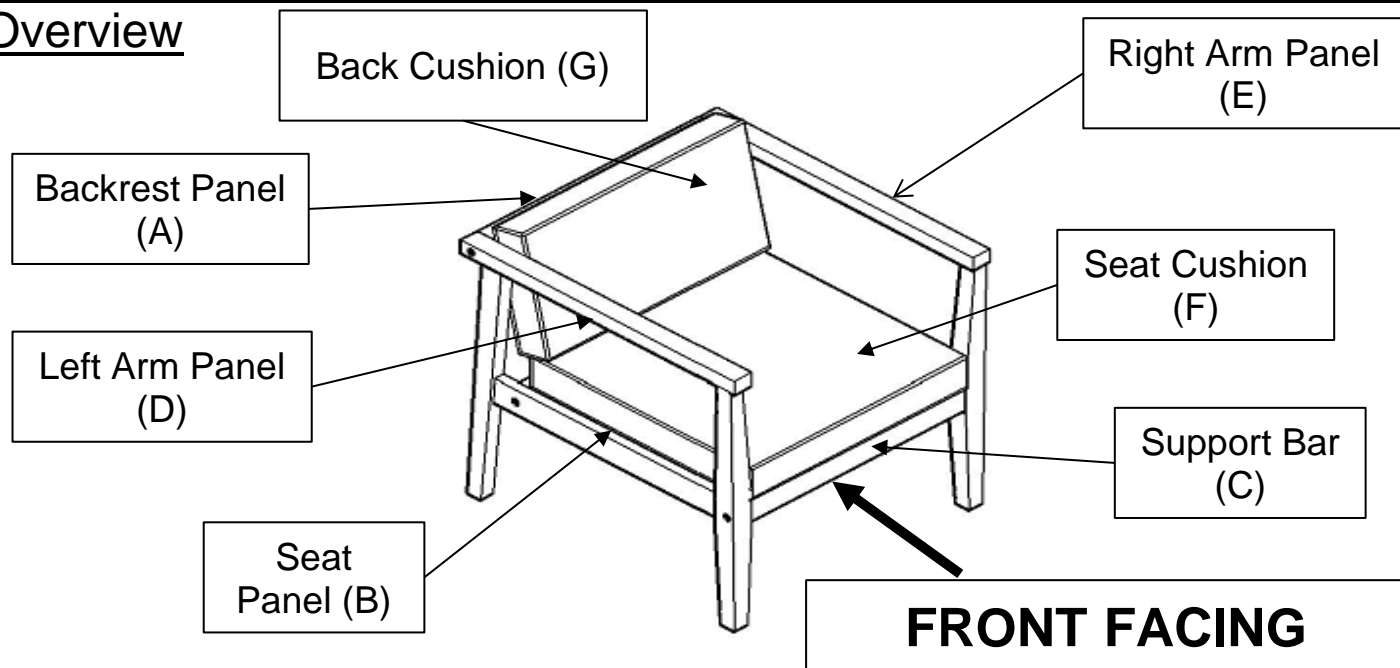
• Assemble on a clean non-marring surface (packing foam)-



• Save all packaging until finished-

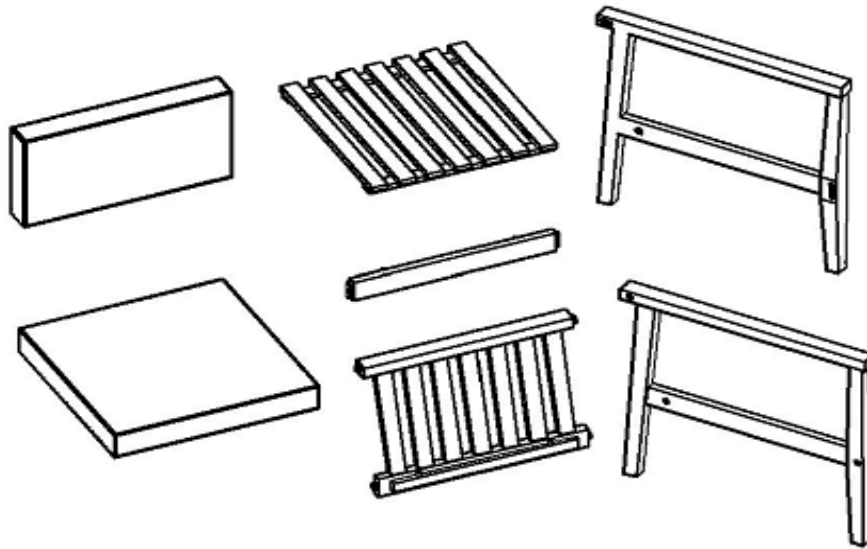
Assembly Steps

Overview



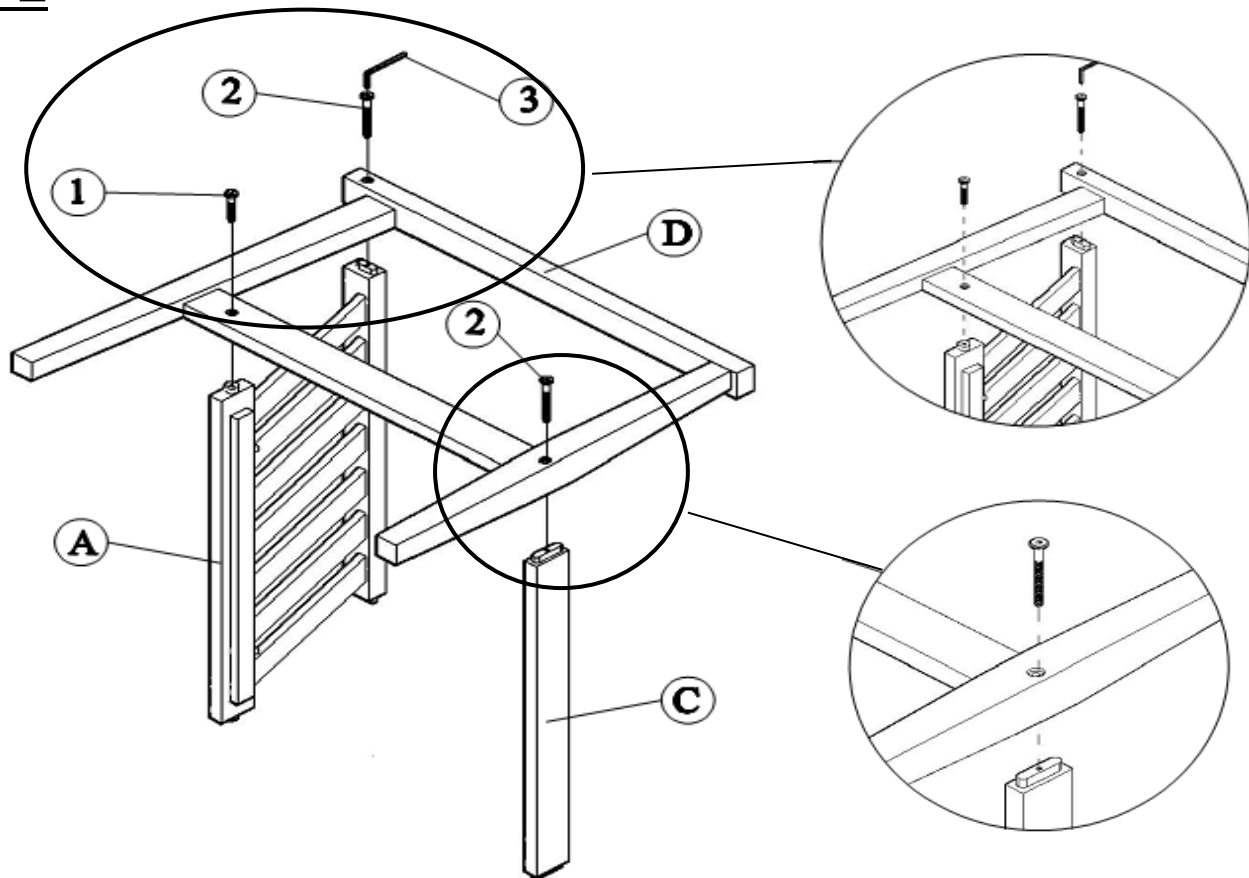
This Chair has multiple parts and may require up to 30 minutes to assemble. To give you an overview of the Chair parts, the above picture is to help you put the various parts into perspective. Please read through the instructions below to familiarise yourself with the parts and steps before assembly.

Step 1



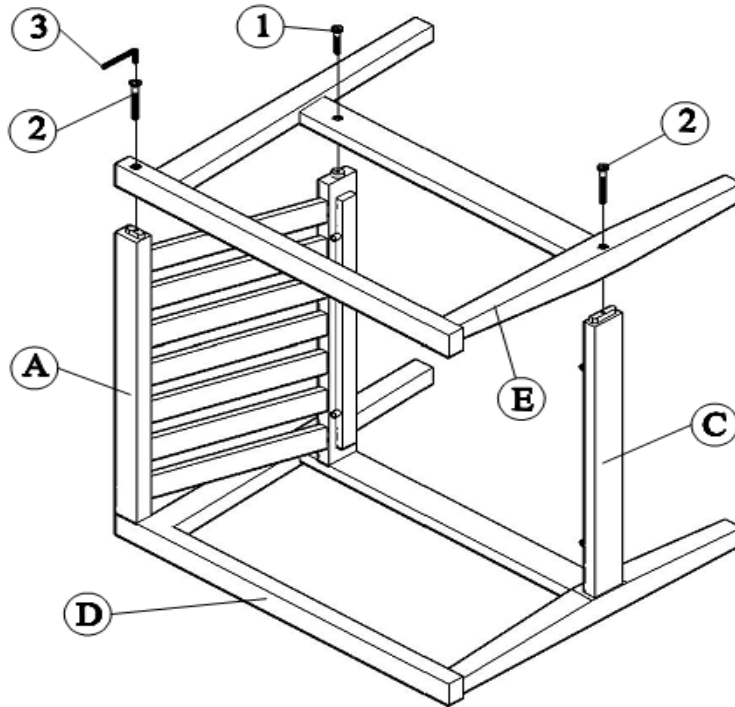
Unplace and place all parts on a clean, non-marring surface.

Step 2



With the help of your adult partner, insert the tenons on Backrest Panel(A) and Support Bar(C) into mortises of Left Arm Panel(D). Attach Backrest Panel(A) and Support Bar(C) to Left Arm Panel(D) using Screws(①), and Screw(②) with Allen Wrench(③) as pictured above.
Do not fully tighten the Screws.

Step 3

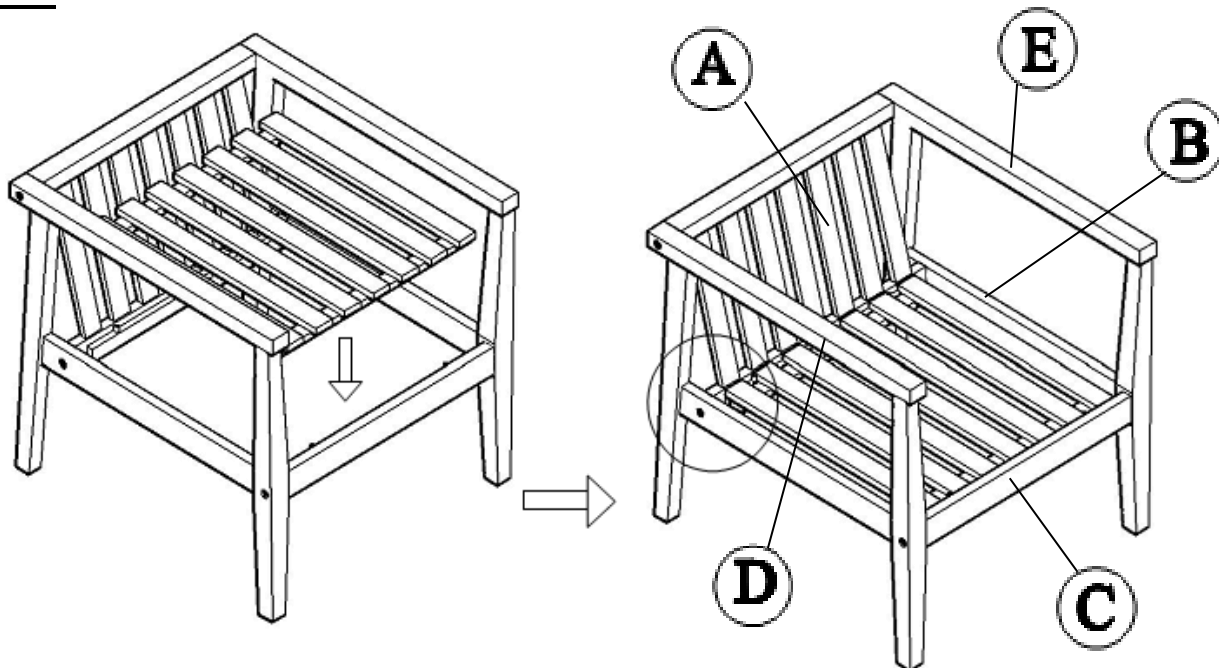


Insert the tenons on Backrest Panel(A) and Support Bar(C) into mortises of Right Arm Panel(E).

Attach Backrest Panel(A) and Support Bar(C) to Right Arm Panel(E) using Screws(①), and Screw(②) with Allen Wrench(③) as pictured above.

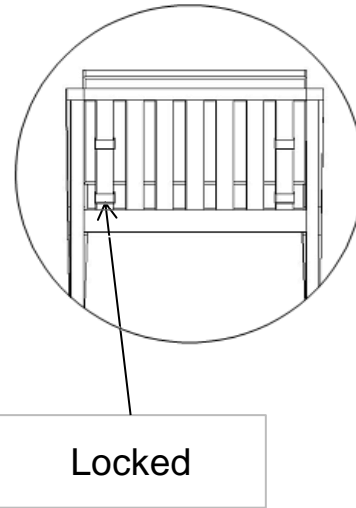
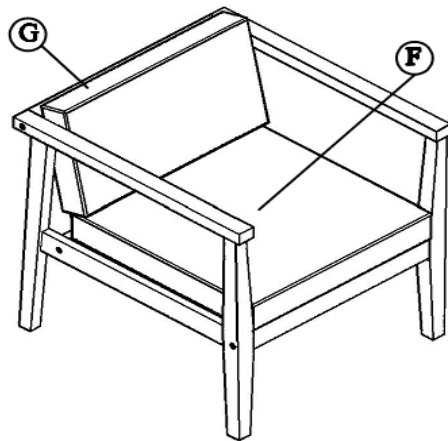
Do not fully tighten the Screws.

Step 4



Insert Seat Panel(B) into assembled Chair frame as pictured above.

Step 5



Place the Chair on a LEVEL SURFACE.

Gently and carefully sit into the Chair.

This will help to align all Parts and Screws fully.

Test the Chair for wobbles.

If no wobbles are found then proceed to tighten all Screws in a sequential manner.










Do not tighten any Screw fully and then move on towards the next one, this could cause the frame to warp.

Place Seat Cushion(F), and Back Cushion(G) onto the Chair, then secure the magic tape straps to the Chair as shown above.

Your Chair is ready for use.

This Chair can only be used on a flat, level surface.

Care & Maintenance

- ⊗  ● Do not put hot items directly on furniture surface.
- ⊗  ● Do not clean furniture with harsh cleansers or polish.
- ✓  ● To obtain the longest lifespan of your outdoor products, minimizing exposure to direct sunlight is recommended.
- ⊗  ● Children should not climb or jump on the furniture.
- ⊗  ● Do not write on furniture without a padded barrier to protect the surface.
- ✓  ● To obtain the longest lifespan of your outdoor products, avoid extended and lengthy exposure to rain, snow, and direct sunshine. Whenever possible cover the product and /or place under patio or awnings.
- ⊗  ● Not for commercial use. For residential use only.
- ⊗  ● Stains may be removed with mild soap solution and damp cloth.
- ✓  ● Dust and pick-up spills using a clean, non-colored, lint-free cloth.