










Assembly Instructions

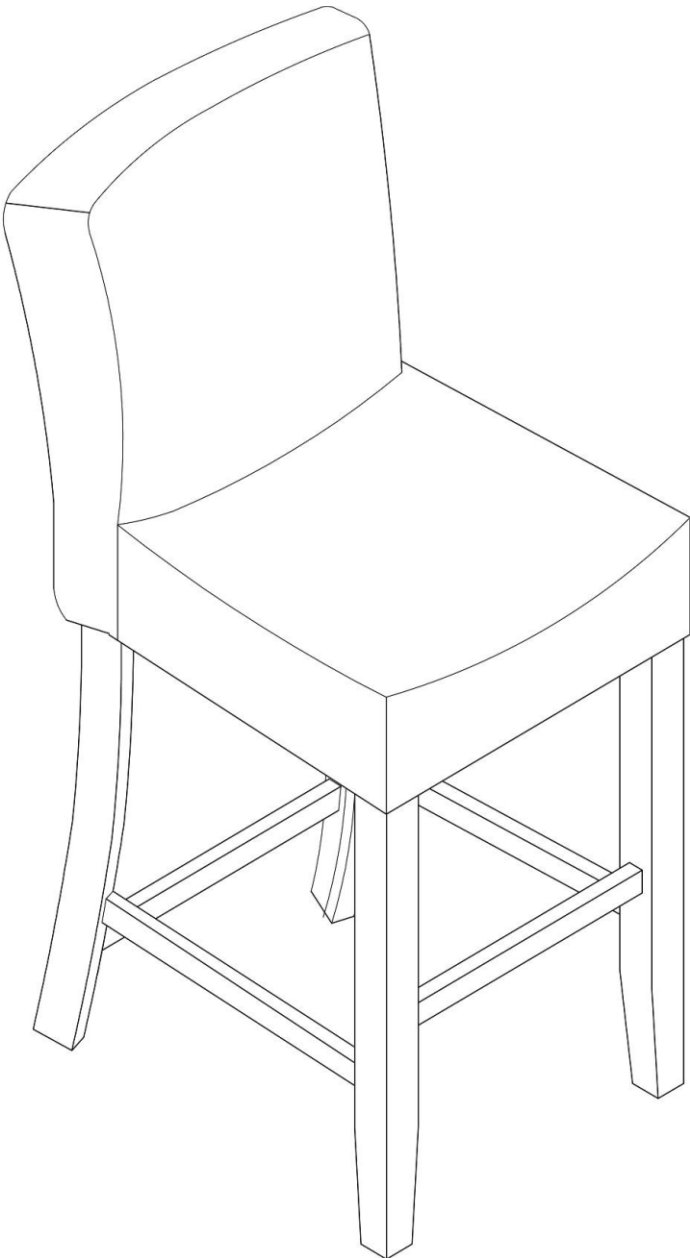
Caution: You must read Assembly Instruction before you proceed.

Care & Maintenance

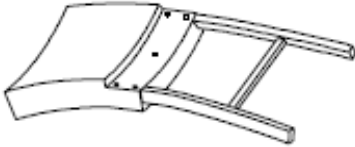
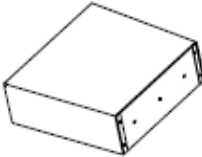


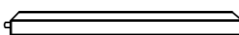

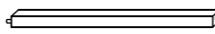
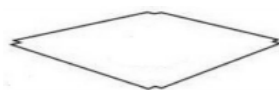
-   ● Not for commercial use. For residential use only.
-   ● Furniture may scratch floors. we recommend using furniture pads to protect your floors.
-   ● Do not put hot items directly on furniture surface.
-   ● Do not clean furniture with harsh cleansers or polish.
-   ● Do not place furniture under direct sunlight.
-   ● Do not place furniture near heating or cooling vents.
-   ● Do not write on furniture without a padded barrier to protect the surface.
-   ● Do not place furniture outside . For indoor use only.
-   ● Stains may be removed with mild soap solution and damp cloth.
-   ● Children should not climb or jump on the furniture.
-   ● Dust and pick-up spills using a clean, non-colored, lint-free cloth.

Please look beside FRONT LEG BOX for Hardware packs.







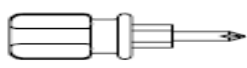
Bar Chair



Parts List

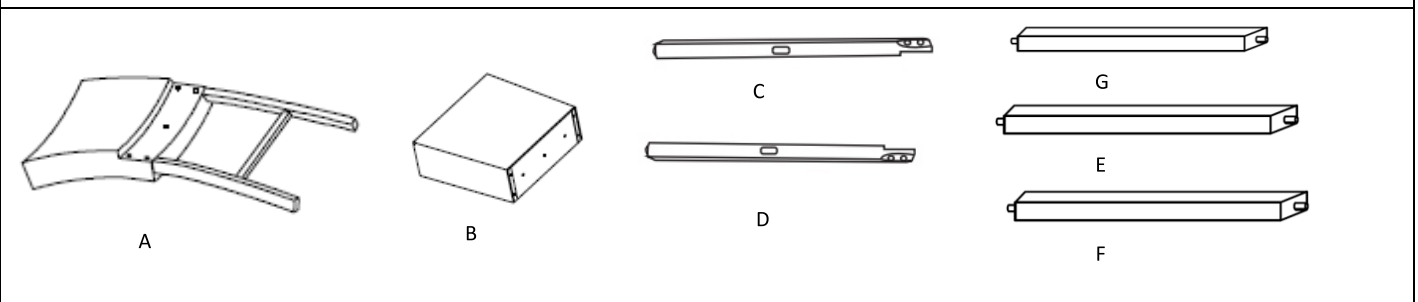
| Part NO. | Picture | Description | QTY |
|----------|---|-----------------|------|
| A |  | Chair Back | 1 PC |
| B |  | Chair Seat | 1 PC |
| C |  | Left Front Leg | 1 PC |
| D |  | Right Front Leg | 1 PC |
| E |  | Left Side Rail | 1 PC |
| F |  | Right Side Rail | 1 PC |
| G |  | Front Rail | 1 PC |
| H |  | Seat Base Cover | 1 PC |

Hardware

| Label | Picture | Description | QTY |
|-------|---|-----------------|--------------|
| 1 |  | Bolt (M8x75mm) | 5 PCS |
| 2 |  | Bolt (M8x55mm) | 6 PCS |
| 3 |  | Screw (M4x45mm) | 7 PCS |
| 4 |  | Spring Washer | 11 PCS |
| 5 |  | Washer | 11 PCS |
| 6 |  | Allen Wrench | 1 PC |
| 7 |  | Screwdriver | Not provided |

Assembly Preparation

Before Beginning Assembly:



| | | |
|---|--|--|
| <p>Pack A for assembling the Seat Frame(B) to the hind legs of Chair Back(A)</p> | <p>Bolt (M8x75mm) + Washer + Spring Washer</p> | |
| <p>Pack B for assembling the Seat Frame(B) to the Front Leg Left(C) & Front Leg Right(D) & the Seat Frame (B) to the horizontal panel of Chair Back (A) at the central point</p> | <p>Bolt (M8x55mm) + Washer + Spring Washer + AllenWrench</p> | |
| <p>Pack C for assembling the Left Side Rail(E) & Right Side Rail(F) to the Left Front Leg(C) & Right Front Leg(D)</p> | <p>Screw (M4x45mm)</p> | |
| <p>Pack D for assembling the Left Side Rail(E) & Right Side Rail(F) to the Chair Back (A)</p> | <p>Screw (M4x45mm)</p> | |
| <p>Pack E for assembling the Front Rail(G) to the Front Leg</p> | <p>Screw (M4x45mm)</p> | |



- Read instructions, cover to cover-



- Have 2 adults on hand for assembly-



- Do not assemble on flooring or carpet-

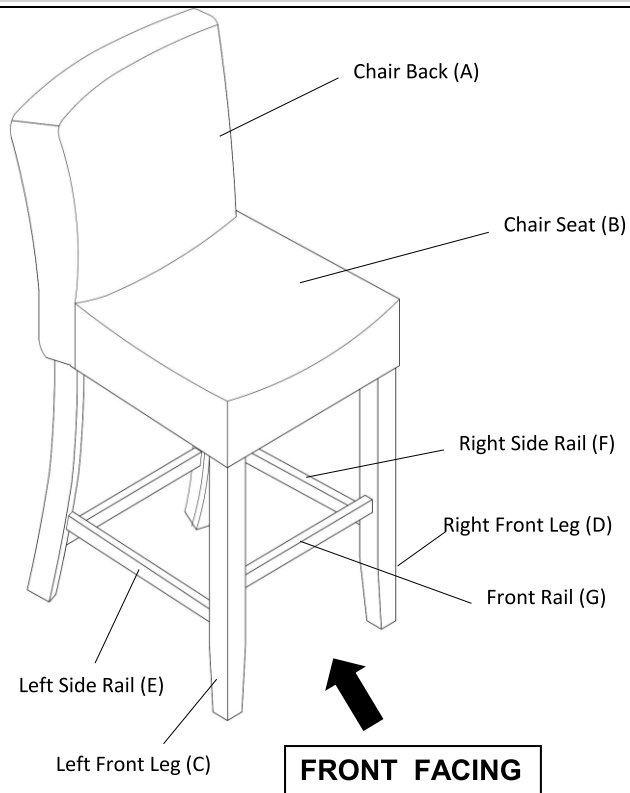


- Assemble on a clean non-marring surface (packing foam)-



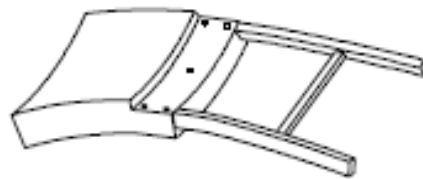
- Save all packaging until finished-

Assembly Steps

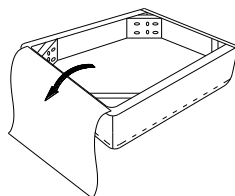


This Bar Chair has multiple parts and may require up to 30 minutes to assemble. To give you an overview of the Bar Chair parts, the above picture is to help you put the various Bar Chair parts into perspective. Please read through the instructions herebelow to familiarise yourself with the parts and steps before assembly.

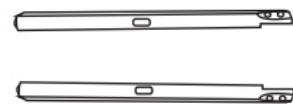
Step 1



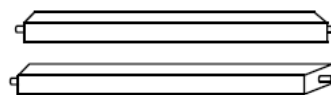
A. Chair Back



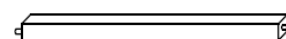
B. Chair Seat with Black Calico/Seat Base Cover



C. Front Left Leg & D. Front Right Leg



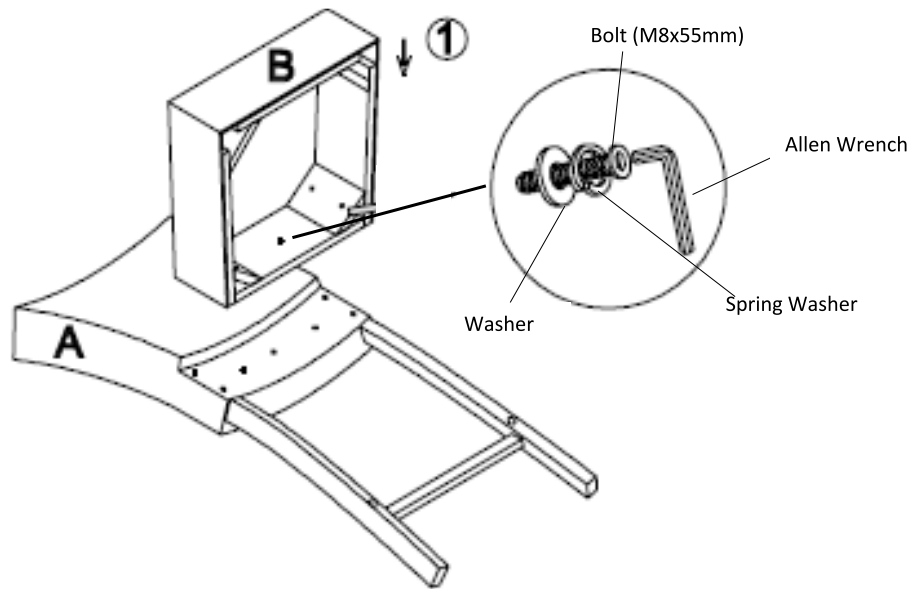
E. Left Side Rail & F. Right Side Rail



G. Front Rail

Place the Chair Back(A) and Chair Seat(B) on a clean, non-marring surface.
REMOVE the Seat Base Cover(H) from the underside of the Chair Seat(B).

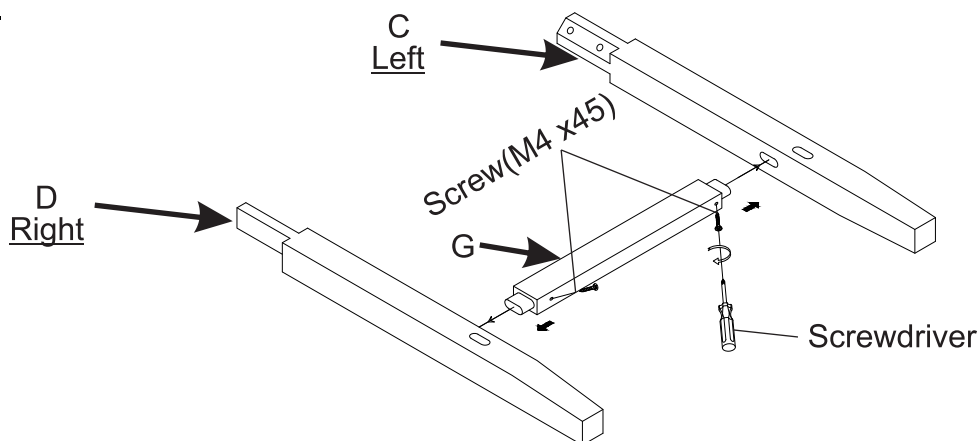
Step 2



Put the Chair Back(A) onto a flat table top-like a waist high table/top.
Align the mounting positions of the Chair Back(A) and Chair Seat Frame(B).
Use your left hand to push the seat frame floorwards, depicted by Arrow 1, this action helps to ensure the Chair Seat(B) is pressed towards to the Chair Back(A) with no gap between them.
Then, lock the middle mounting point by using Hardware Pack A and the corner mounting points by using Hardware Pack A & Pack C with The Allen Wrench(6).

WARNING!! DO NOT OVER TIGHTEN. OVER TIGHTENING COULD LEAD TO DAMAGE OF THE PRODUCT. TIGHTEN ONLY UNTIL SECURE AND STABLE.

Step 3

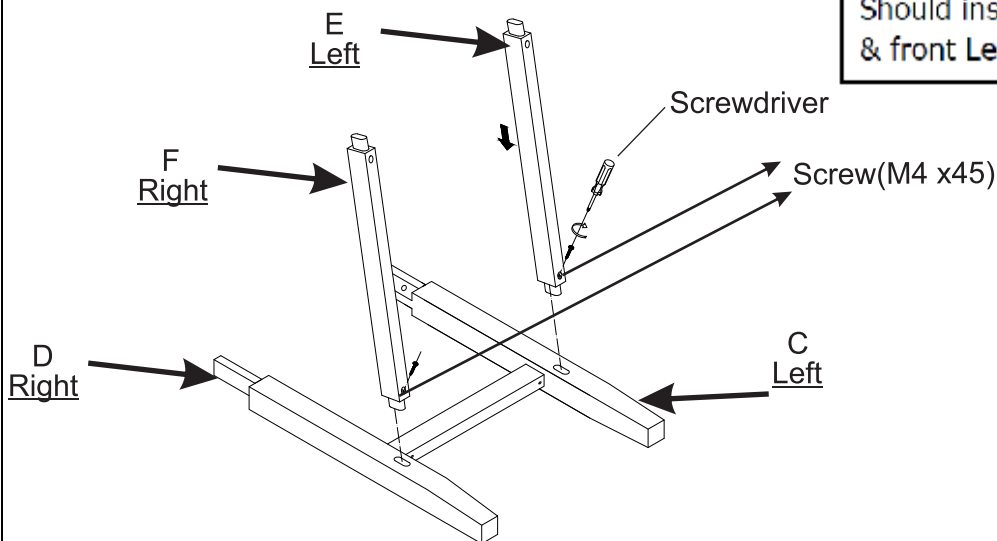


Insert the Front Rail(G) into the oval housing of Left Front Leg(C) & Right Front Leg(D) as shown above.

Then, use Hardware Pack E to attach the Front Rail(G) to the Left Front Leg(C) & Right Front Leg (D).

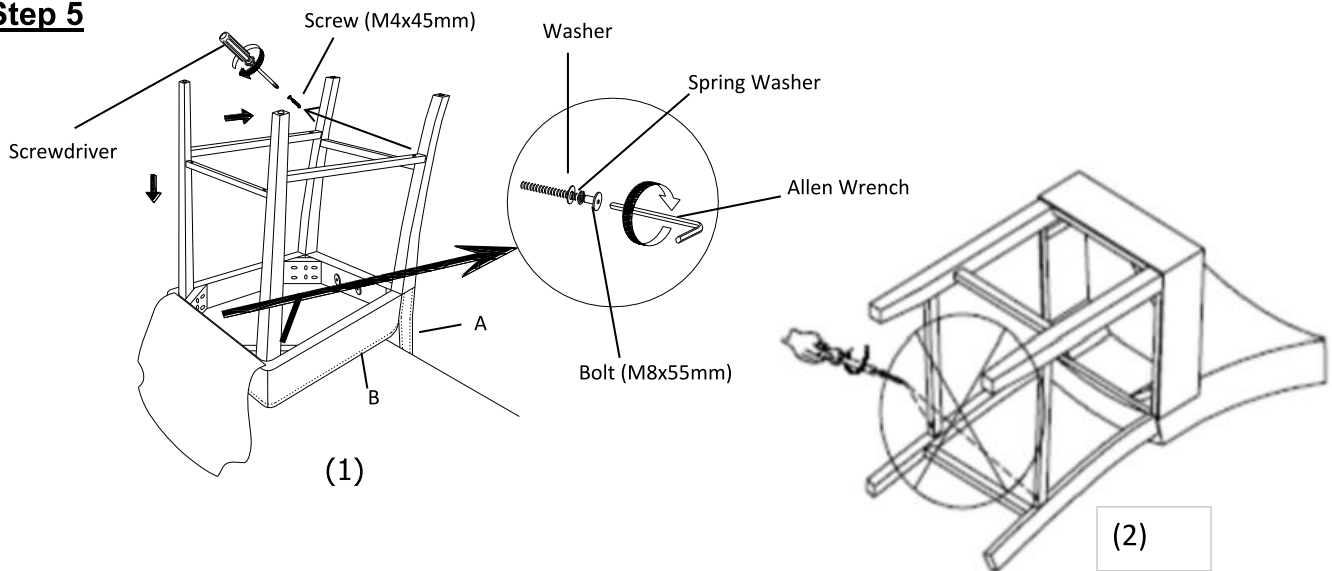
At this stage, LOOSELY FASTEN these bolts

Step 4



Insert the Left Side Rail(E) into the oval housing of Left Front Leg(C), use Hardware Pack C to attach the the Left Side Rail(E) to the Left Front Leg (C);
Insert the Right Side Rail(F) into the oval housing of Right Front Leg(D).
Then, use Hardware Pack C to attach the Right Side Rail(F) to Right Front Leg (D).
At this stage, **LOOSELY FASTEN these Bolts.**

Step 5



Next, place the Chair onto the side of a table as seen in Picture 1.

You will now have the Chair bottom and legs facing skywards.

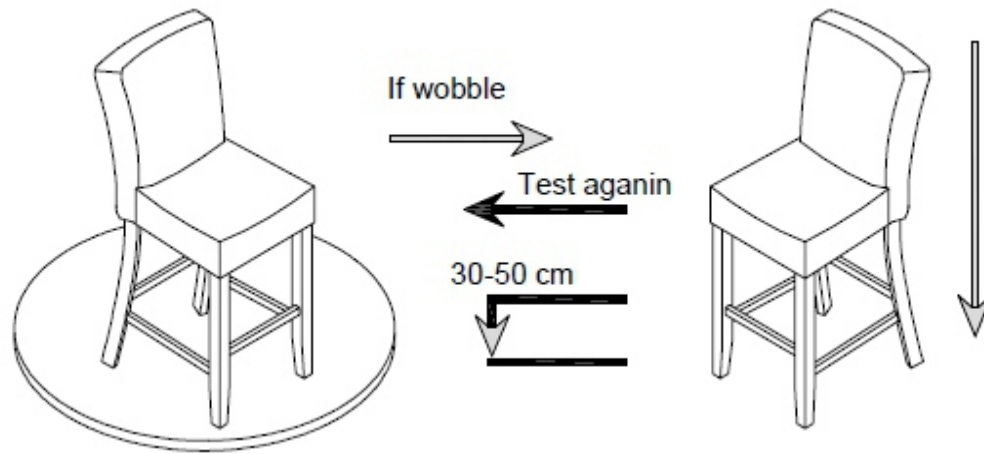
Insert the assembled unit from Step 4 into the Chair Seat (B).

WARNING!! DO NOT POSITION THE FRONT LEG AS SHOWN IN PICTURE 2 . THIS PICTURE SHOWS THE CHAIR BACK STAYS AGAINST THE GROUND and THE LEGS HORIZONTAL IN MIDAIR.

Then use Hardware Pack D to attach the Side Rails with the Front and Hind Legs.

At this stage, **LOOSELY FASTEN these Bolts.**

Step 6



Place the Chair on a Level Surface to check if it wobbles.

If it wobbles, lift the Chair some 30 cm to 50 cm high from the ground, keep your feet and toes well away from the drop zone, and drop the chair freely and vertically with the four legs, hitting the ground at the same time.

This **Drop Test** will help to ensure that all the bolts and gaps are all reached full alignment. Test again for evenness on a **Level Surface**.

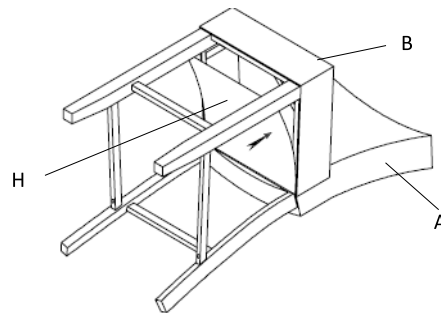
If no wobbles are found, proceed to tighten all the Bolts.

Caution: When tightening the Bolts, tighten sequentially.

Do not tighten any Screw fully and then towards the next one, this would cause the frame to warp. If it still wobbles, loosen the Bolts and execute this same drop test.

If the Chair is not Stable it could lead to damage to the product.

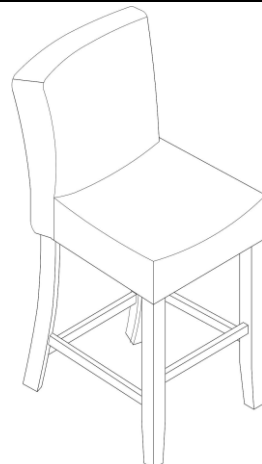
Step 7



Place the Seat Base Cover (H) back underneath the Chair Seat (B) as shown in picture from where it was removed from originally.

Smooth down with your hand on the Seat Base Cover (H) on all 4 sides at the edge of the seat box.

Step 8



Turn the Chair right way up, it is now ready for use.