











# Assembly Instructions

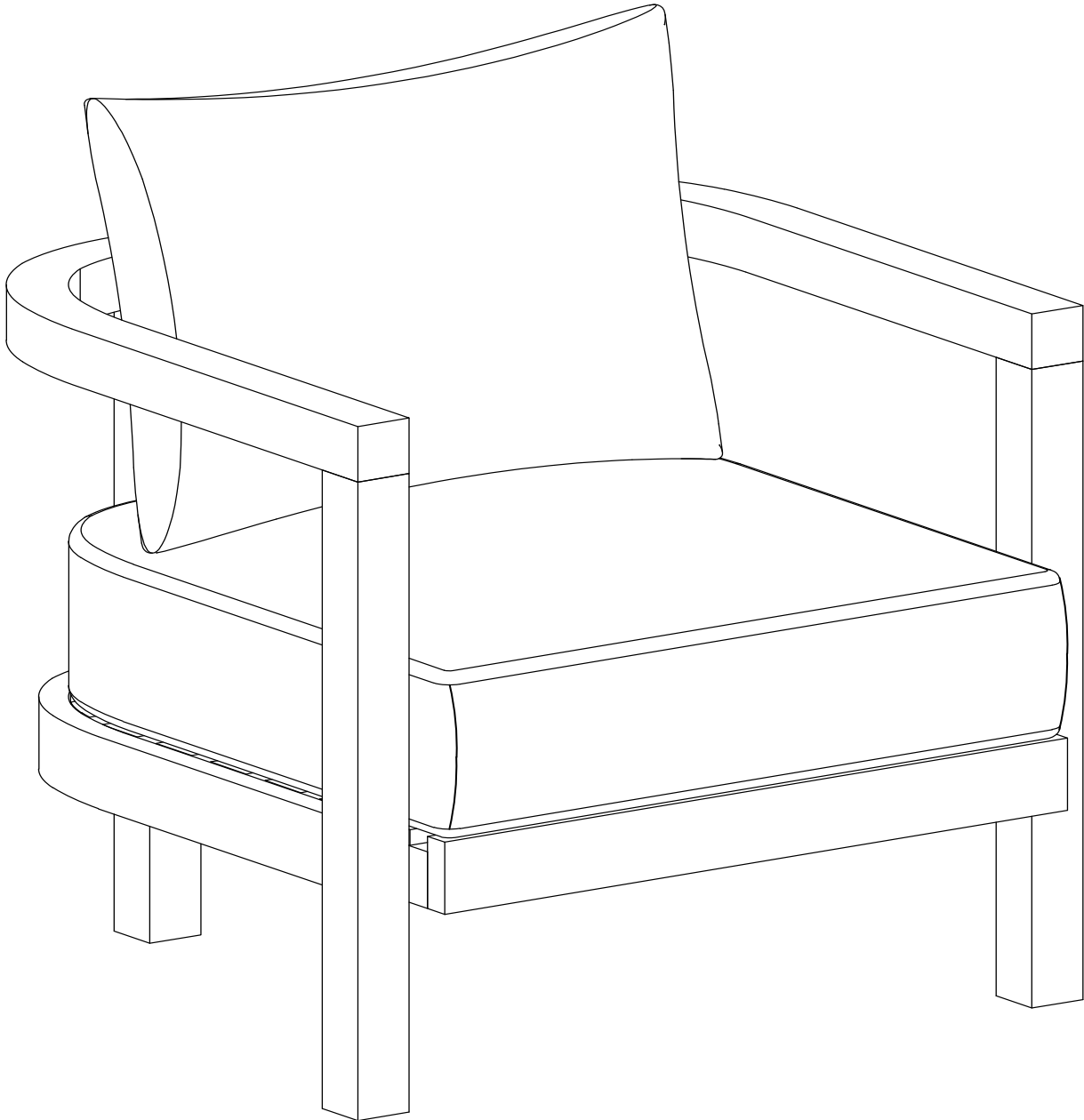
**CAUTION: You must read this Assembly Instructions before you proceed.**

## Care & Maintenance

- ⊘  ● Not for commercial use. For residential use only.
- ⊘  ● Do not put hot items directly on furniture surface.
- ⊘  ● Do not clean furniture with harsh cleansers or polish.
- ✓  ● To obtain the longest lifespan of your outdoor products, minimizing exposure to direct sunlight is recommended.
- ⊘  ● Children should not climb or jump on the furniture.
- ⊘  ● Do not write on furniture without a padded barrier to protect the surface.
- ✓  ● To obtain the longest lifespan of your outdoor products, avoid extended and lengthy exposure to rain, snow, and direct sunshine. Whenever possible cover the product and /or place under patio or awnings.
- ⊘  ● Stains may be removed with mild soap solution and damp cloth.
- ✓  ● Keep away from sources of ignition .
- ✓  ● Dust and pick-up spills using a clean, non-colored, lint-free cloth.

Please look under the Seat Panel for hardware pack.

# CHAIR

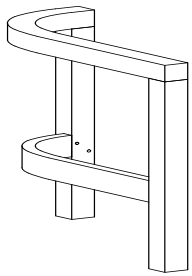
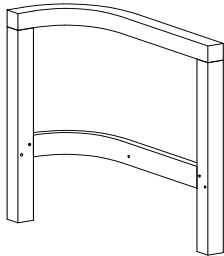
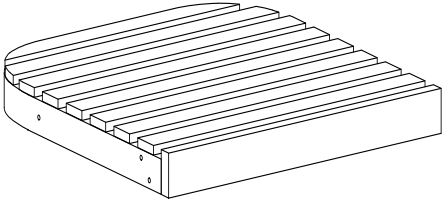
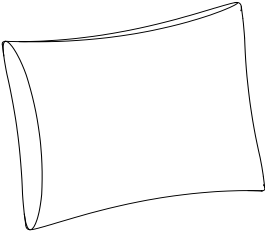
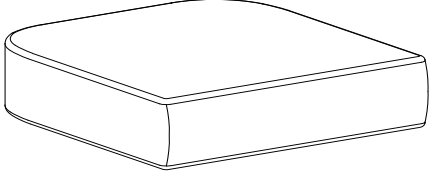


**CAUTION :** This Chair is NOT a TOY.

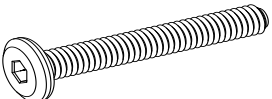

Keep your child / children at bay in the process of assembly.

For turning the Chair and to prevent damage to the Chair, 02 persons may be needed to execute this action.

## Parts List

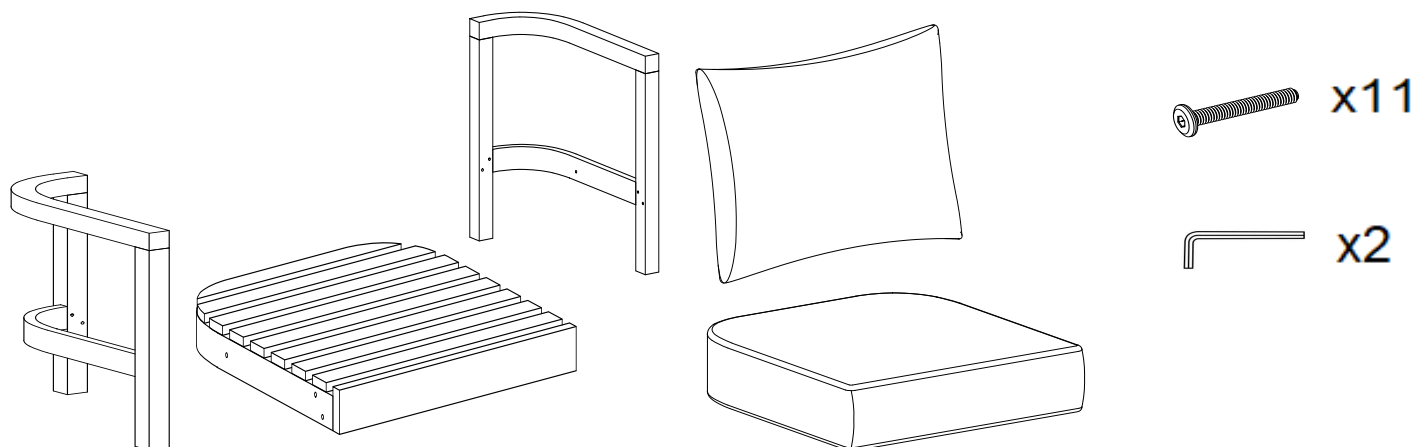
Label	Picture	Description	QTY
A		Left Side Panel	1
B		Right Side Panel	1
C		Seat Panel	1
D		Back Pillow	1
E		Seat Cushion	1

## Hardware

Label	Picture	Description	QTY
①		Bolt (M6x40x15mm)	11
②		Allen Wrench (K4)	2

# Assembly Preparation

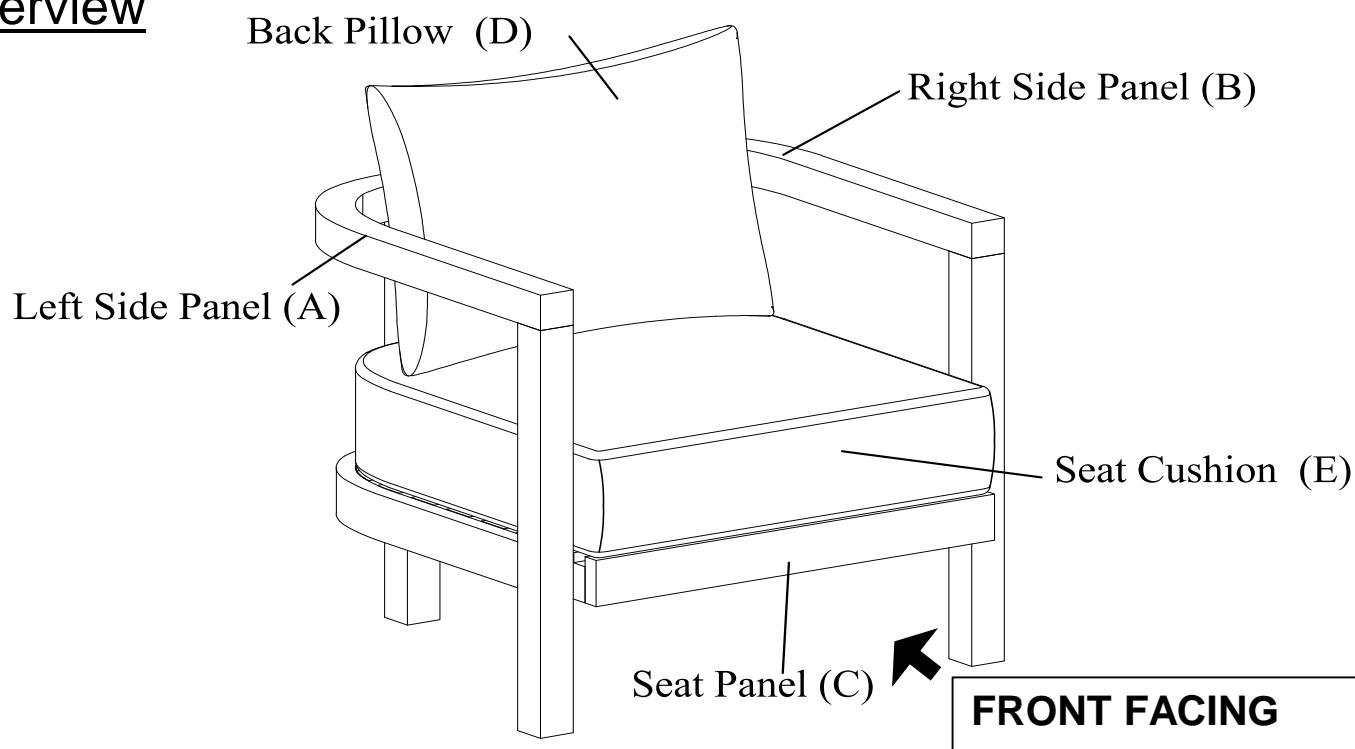
Before Beginning Assembly:



- Read instructions, cover to cover.
- Have 2 adults on hand for assembly.
- Do not assemble on flooring or carpet.
- Assemble on a clean non-marring surface (packing foam).
- Save all packaging until finished.

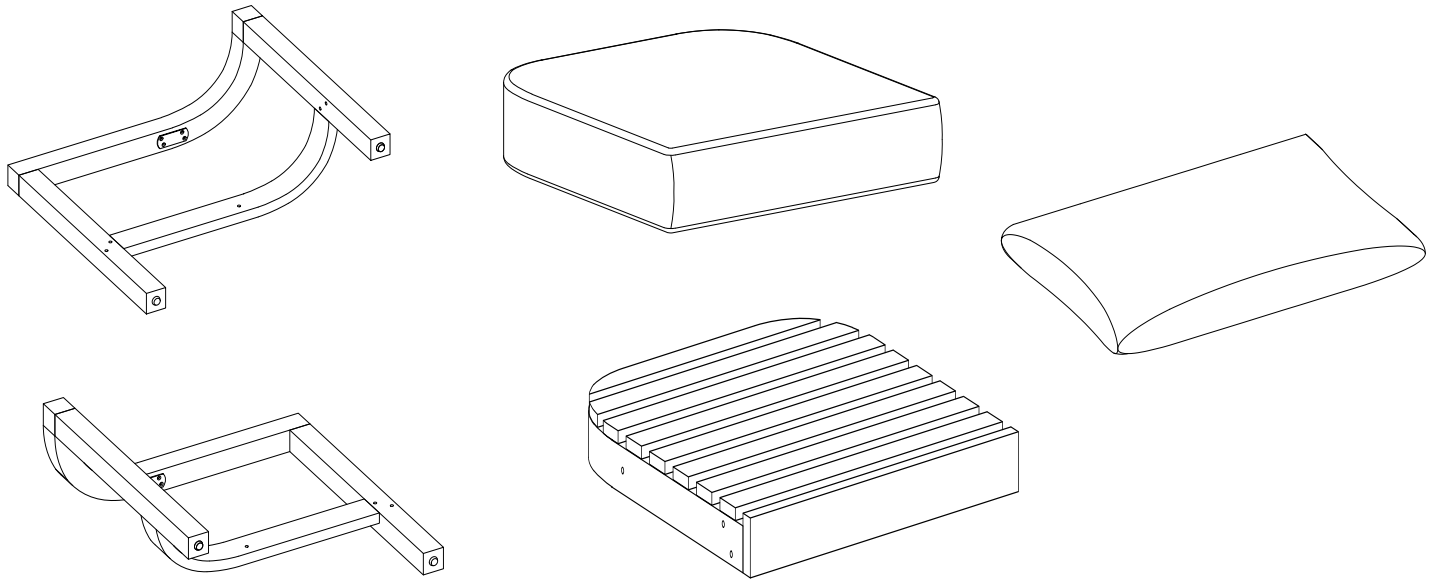
## Assembly steps

### Overview



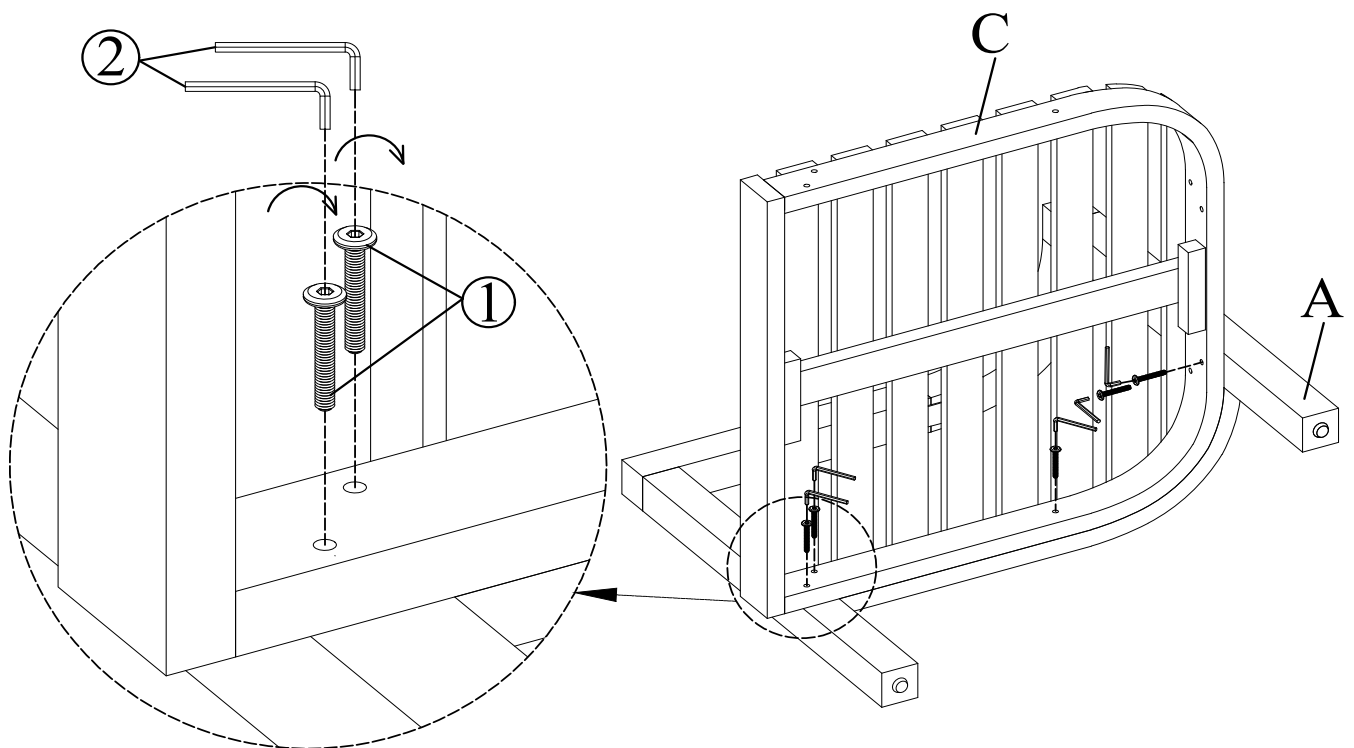
This Chair has multiple parts and may require up to 30 minutes to assemble. To give you an overview of the Chair parts, the above picture is to help you put the various parts into perspective. Please read through the instructions herebelow to familiarise yourself with the parts and steps before assembly.

## Step 1



Unpack and place all parts on a clean, non-marring surface.

## Step 2

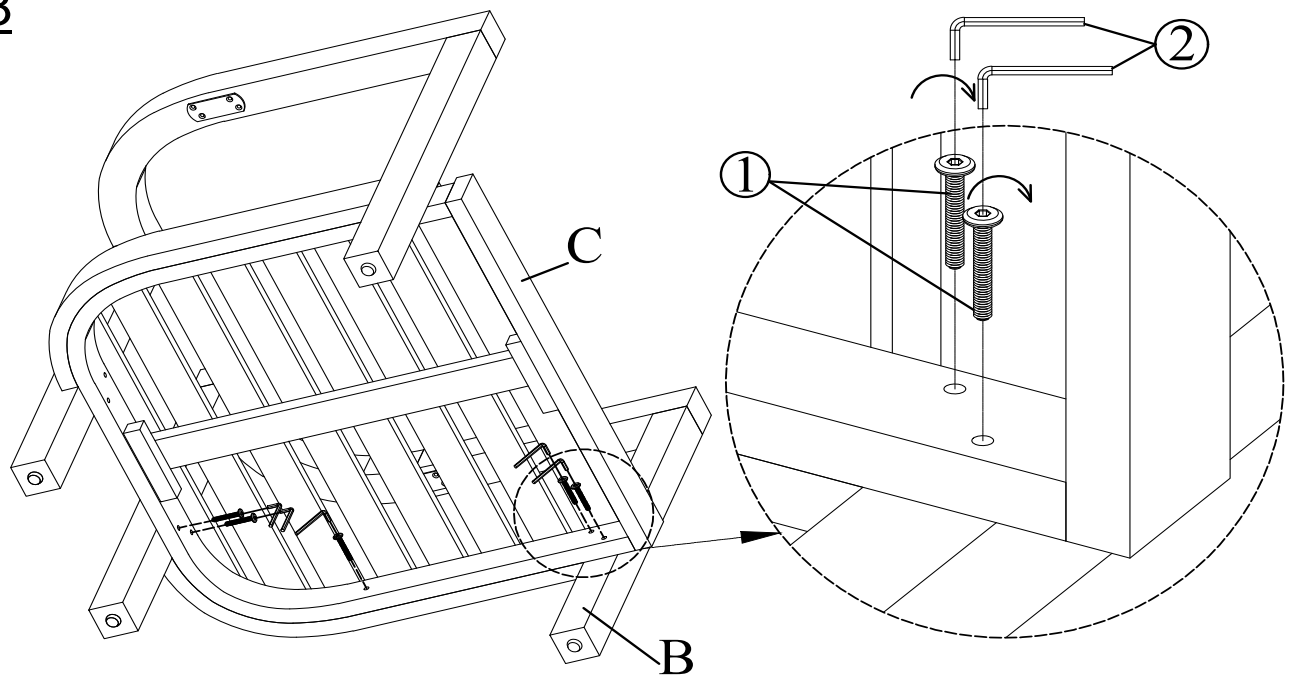


Place the Left Side Panel (A) facedown on a clean, non-marring surface as shown above.

With assistance from your adult partner, attach the Seat Panel (C) to the Left Side Panel (A) using Bolts (①) and the Allen Wrench (②).

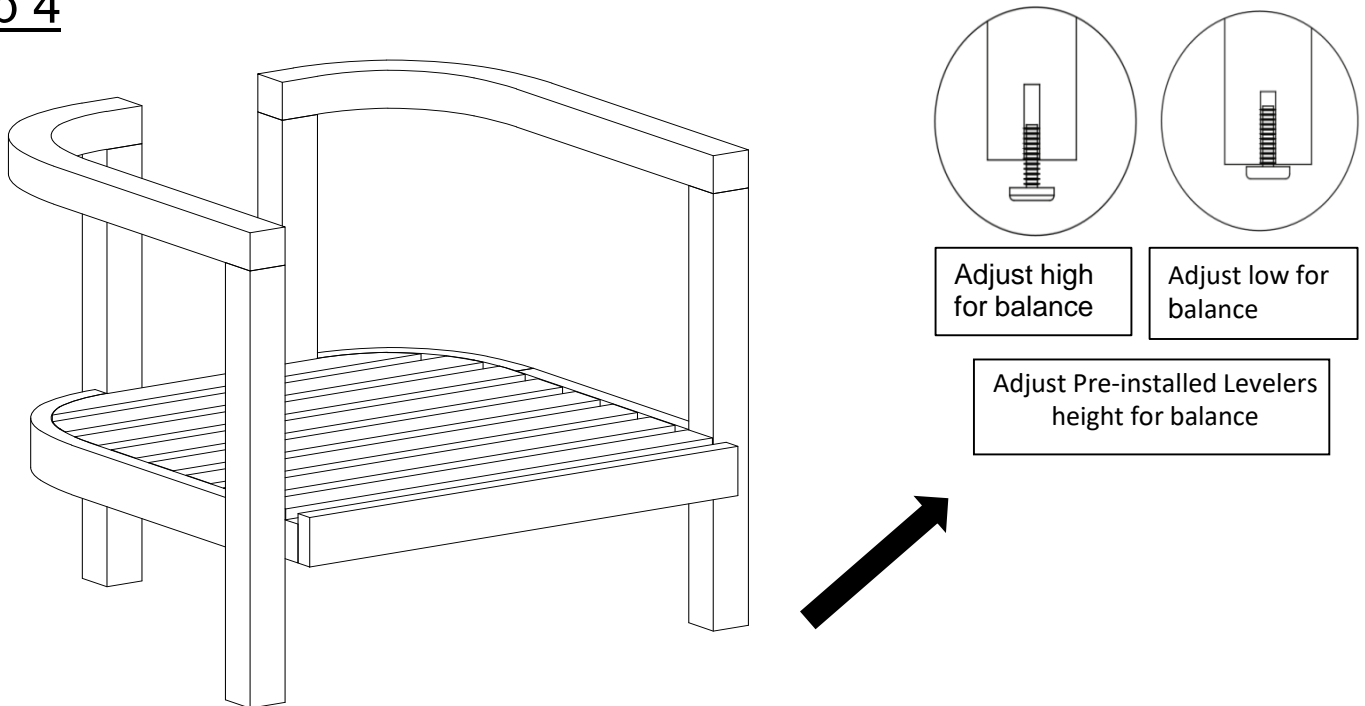
**Do not fully tighten the Bolts.**

### Step 3



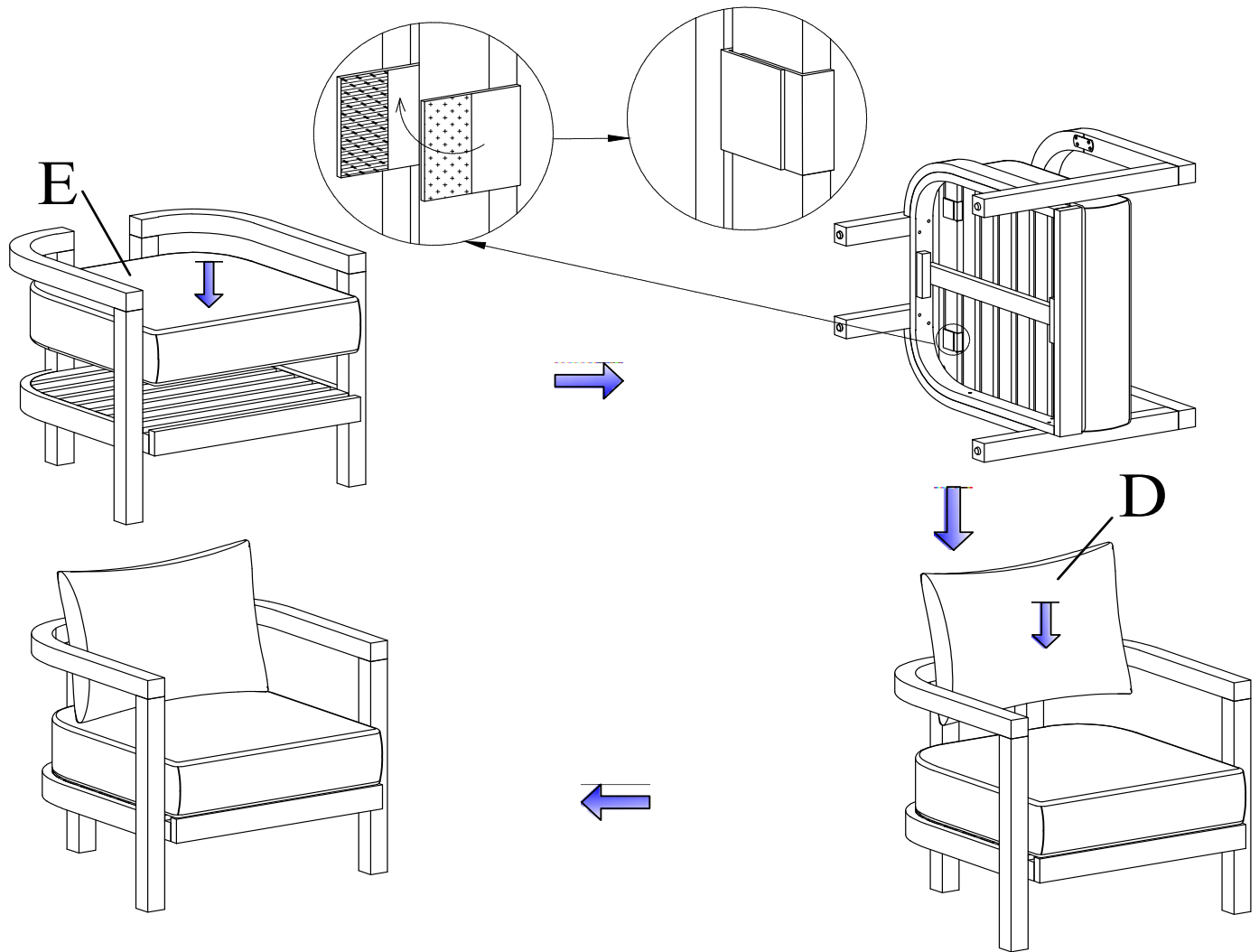
With assistance from your adult partner, attach the Right Side Panel (B) to the Seat Panel (C) using Bolts (①) and the Allen Wrench (②) as shown above.  
**Do not fully tighten the Bolts**

### Step 4



Turn the Chair right side up.  
EXERT pressure, floorwards onto the Chair with both hands..  
This pressure will help the Chair reach full alignment at all joints.  
Check for wobbles.  
Inspect the Chair and make sure all parts are adequately connected.  
In a sequential manner, tighten ALL Bolts at ALL joints.

## Step 5



Place the Seat Cushion (E) onto the Chair and affix the magic tape straps around the Chair as shown above.

Then place the Back Pillow (D) onto the Chair.

**Your Chair is ready to be used.**

**This Chair can only be used on a flat, level surface.**