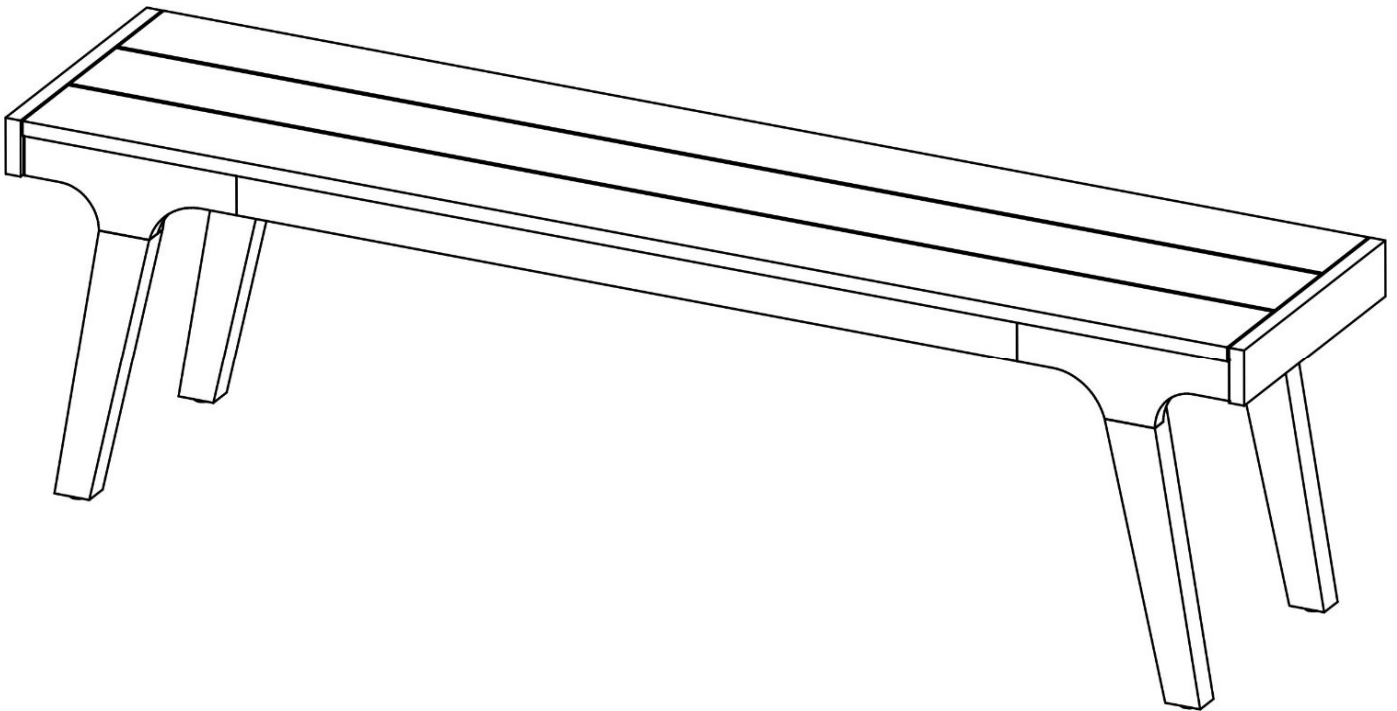


# Assembly Instructions

**Caution: You must read this before you proceed.**

**Please look in the Leg for hardware packs.**

## **BENCH**

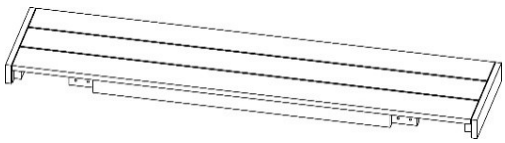
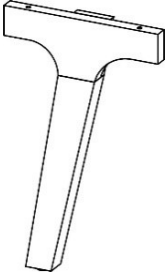
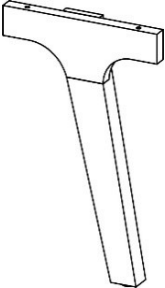
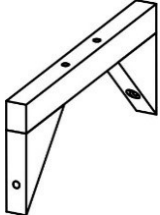


**CAUTION :** This Bench is NOT a TOY.

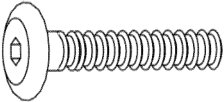

Keep your child/children at bay during the assembly process.

Whenever moving/lifting the Bench and to prevent damage to the Bench, two adults are required to execute these actions.

# Part List

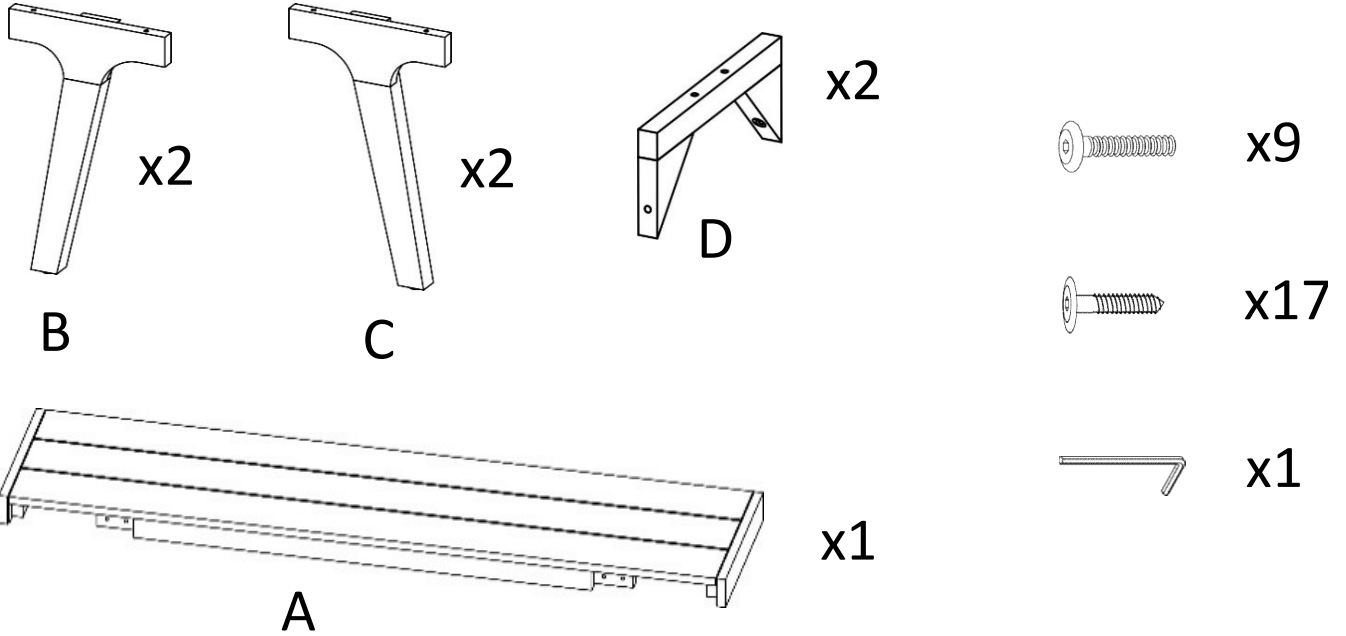
Label	Picture	Description	QTY
A		Seat Panel	1
B		First Leg	2
C		Second Leg	2
D		Support Bar	2

# Hardware

Label	Picture	Description	QTY
①		Bolt (M6x60mm)	9
②		Screw (M6x40mm)	17
③		Allen Wrench	1

# Assembly Preparation

Before Beginning Assembly:



- Read instructions, cover to cover-



- Have 2 adults on hand for assembly-



- Do not assemble on flooring or carpet-



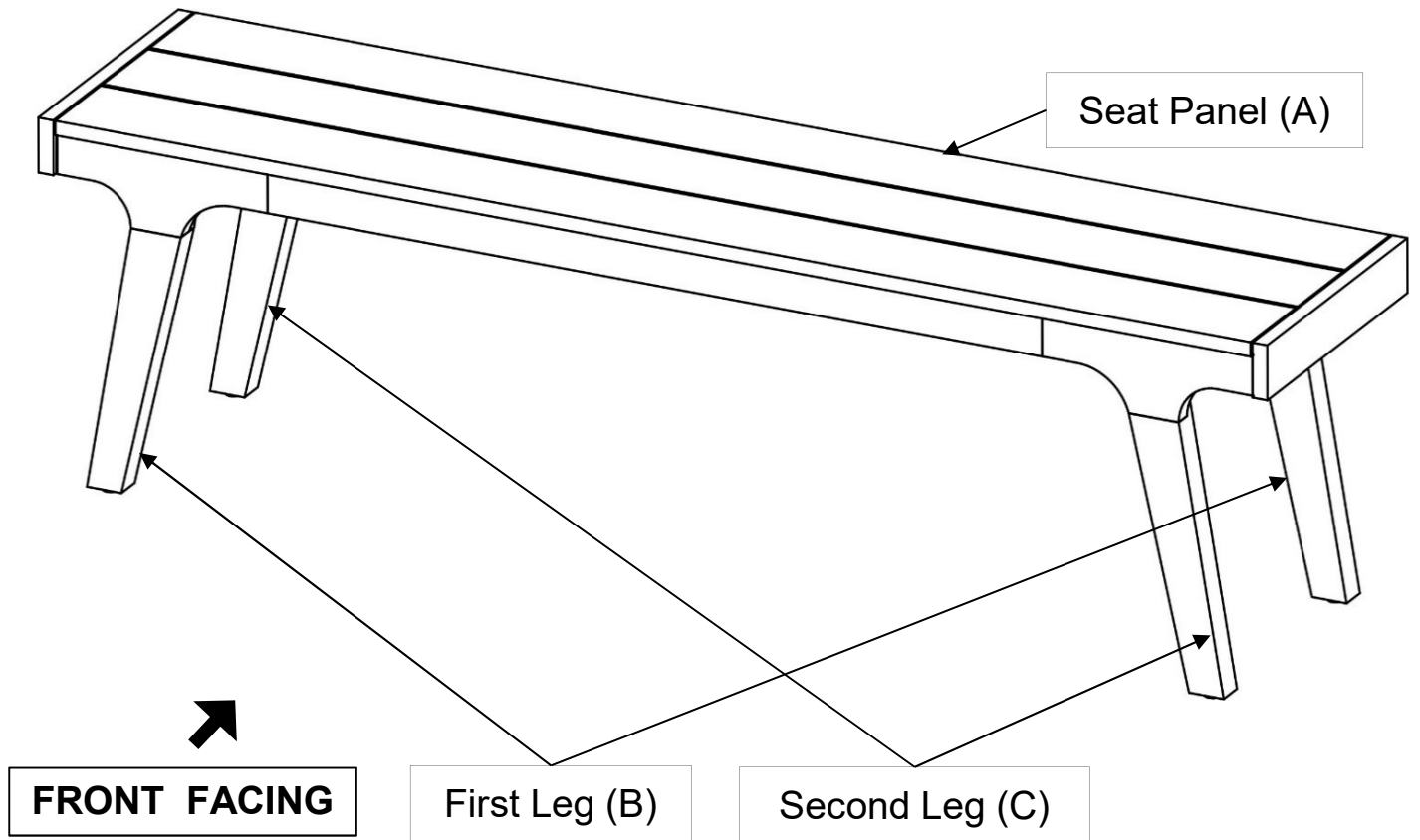
- Assemble on a clean non-marring surface (packing foam)-



- Save all packaging until finished-

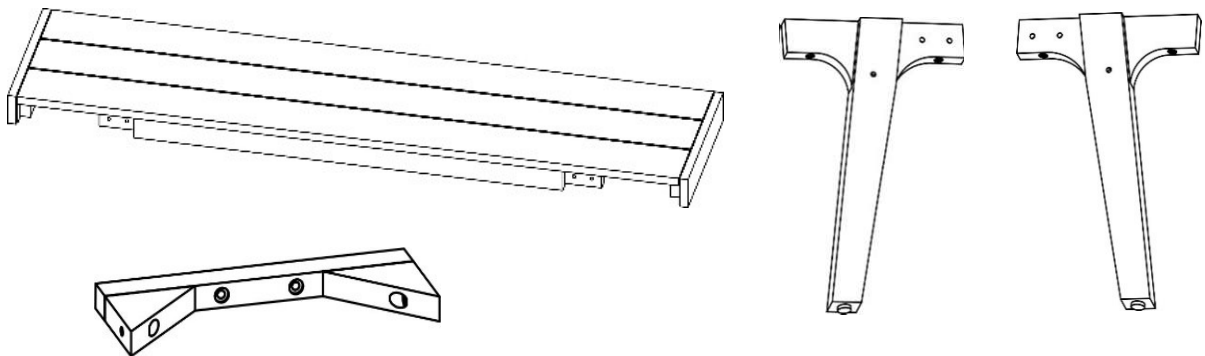
# Assembly Steps

## Overview



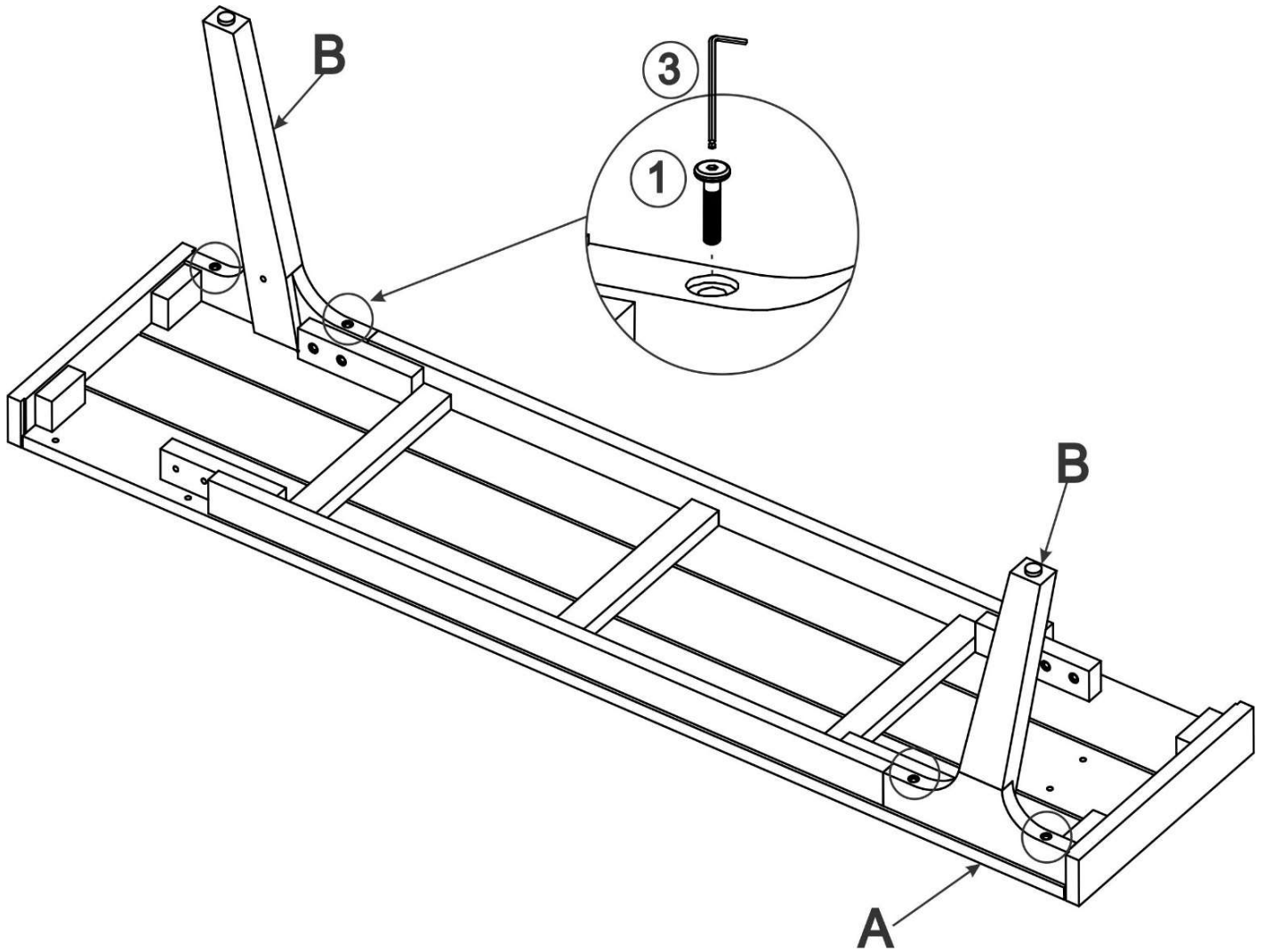
This Bench has multiple parts and may require up to 15 minutes to assemble. To give you an overview of the Bench parts, the above picture is to help you put the various parts into perspective. Please read through the instructions below to familiarise yourself with the parts and steps before assembly.

### Step 1:



Unpack and place all parts on a clean, non-marring surface.

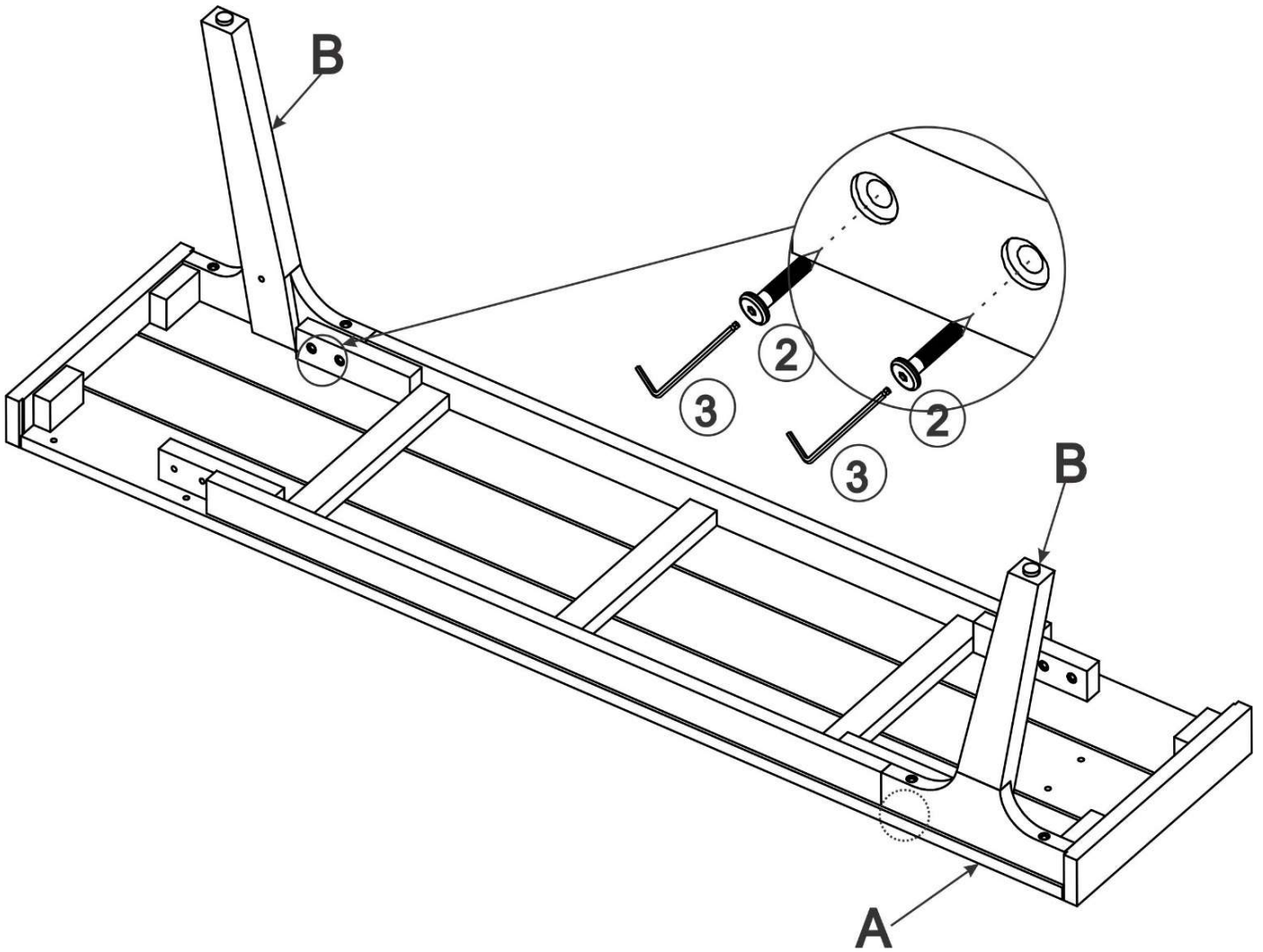
**Step 2.1:**



Affix the First Leg (B) to the Seat Panel (A) using Bolts (①) and the Allen Wrench (③).

**Only loosely tighten the bolts at this time.**

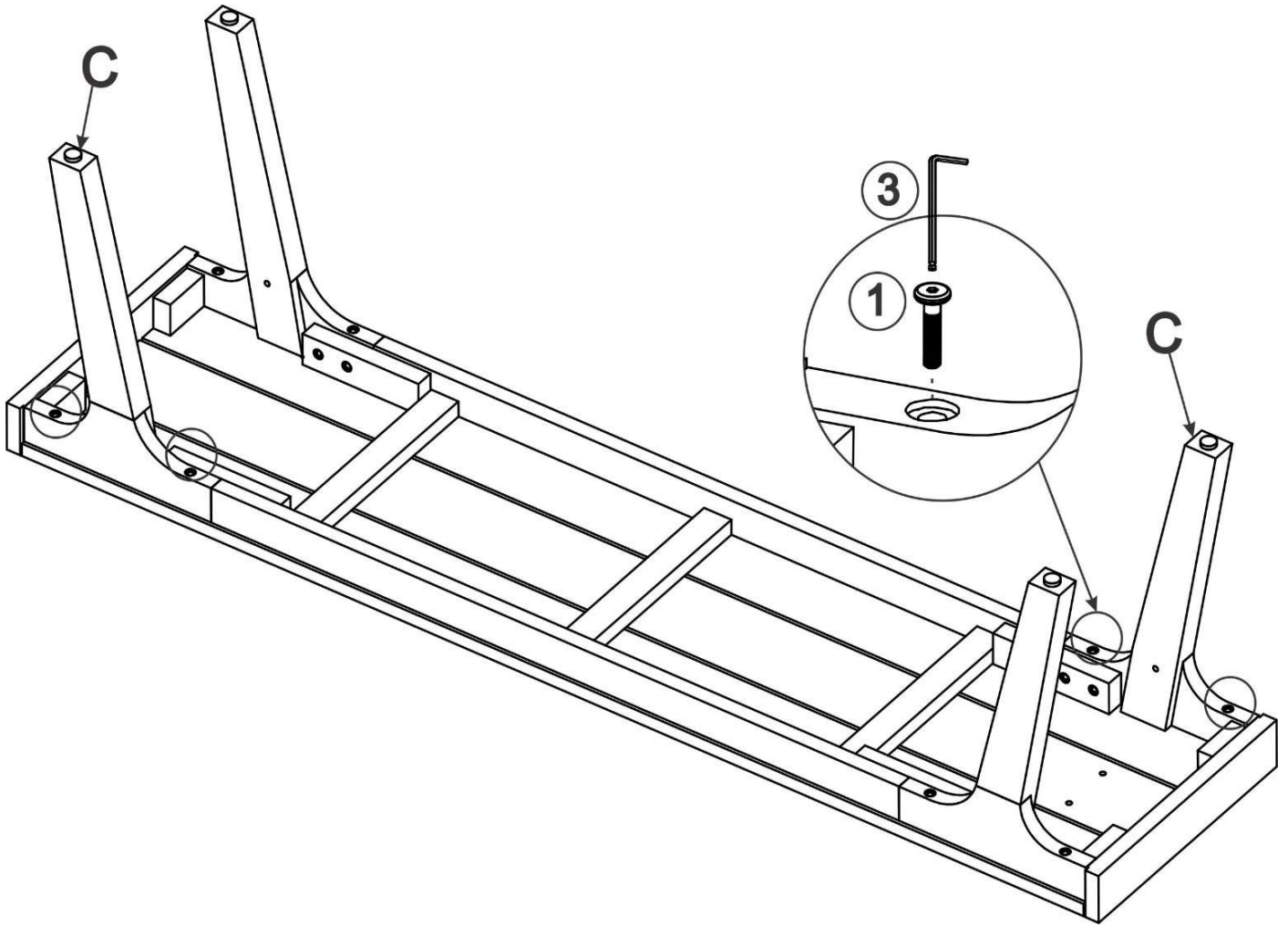
**Step 2.2:**



Then insert Screws (②) using the Allen Wrench (③) as shown in the picture above.

**Only loosely tighten the screws at this time.**

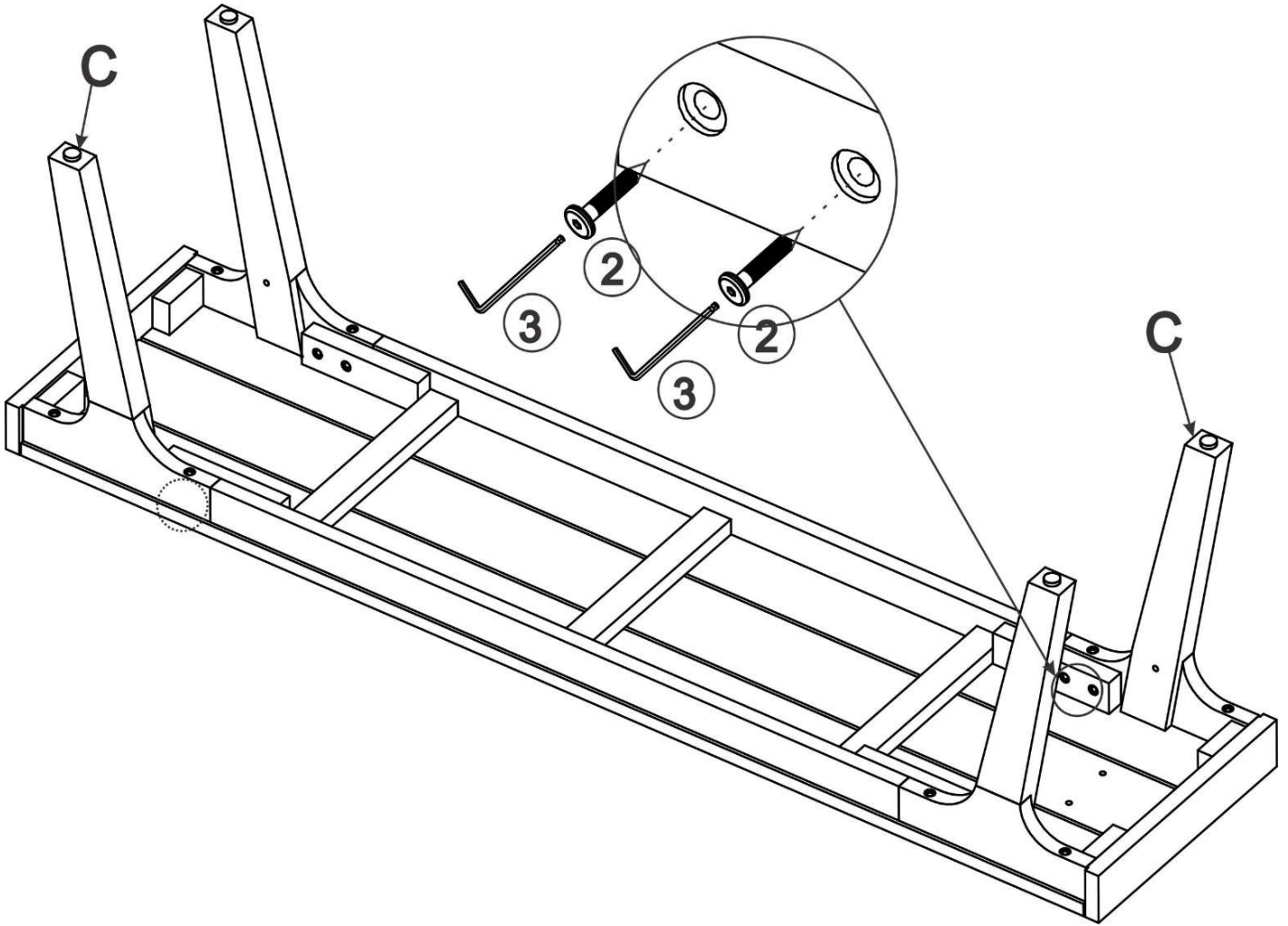
**Step 3.1:**



Affix the Second Leg (C) to the Seat Panel (A) using Bolts (①) and the Allen Wrench (③).

**Only loosely tighten the bolts at this time.**

**Step 3.2:**

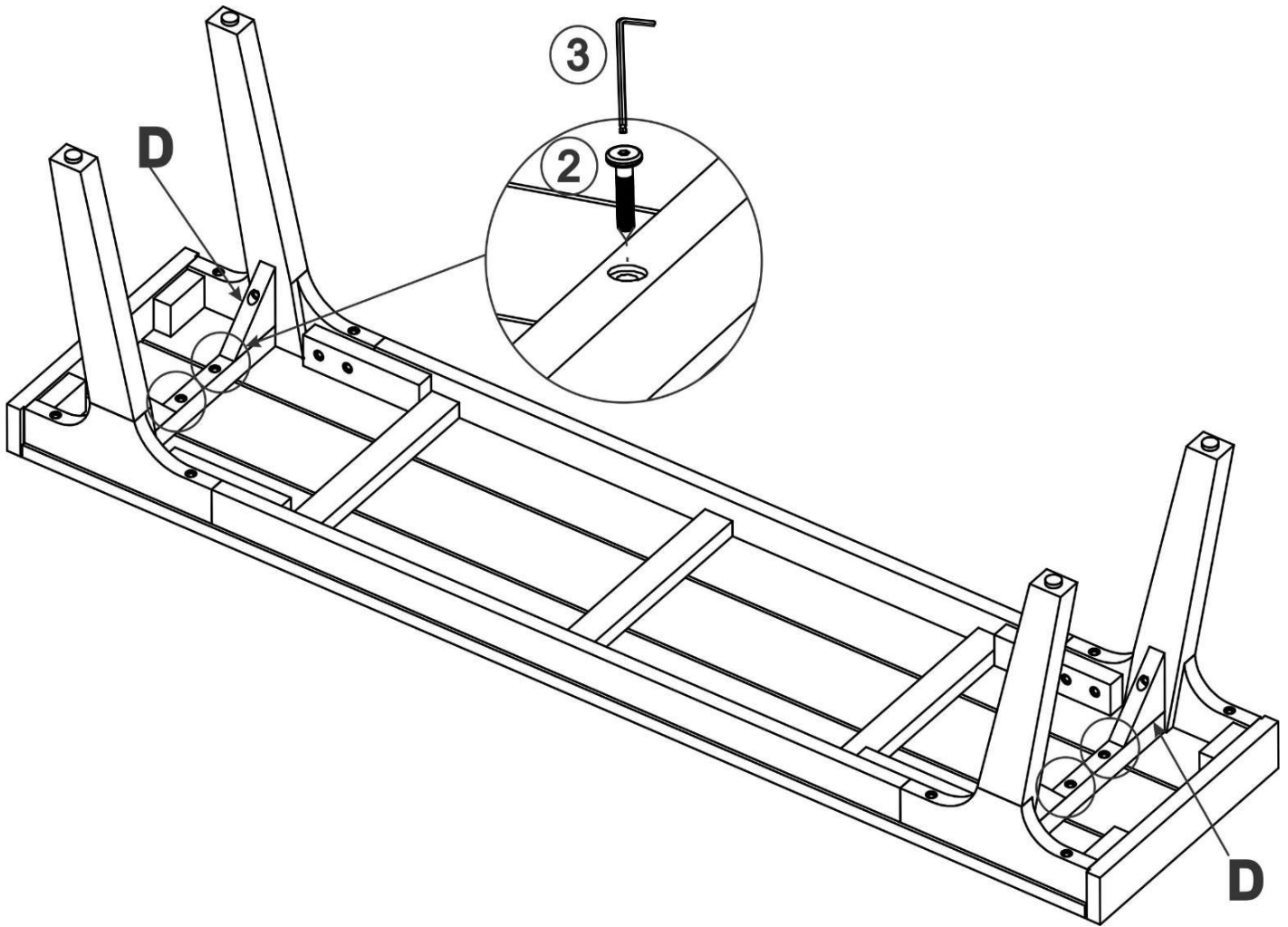


Then insert Screws (②) using the Allen Wrench (③) as shown in the picture above.

**Only loosely tighten the screws at this time.**



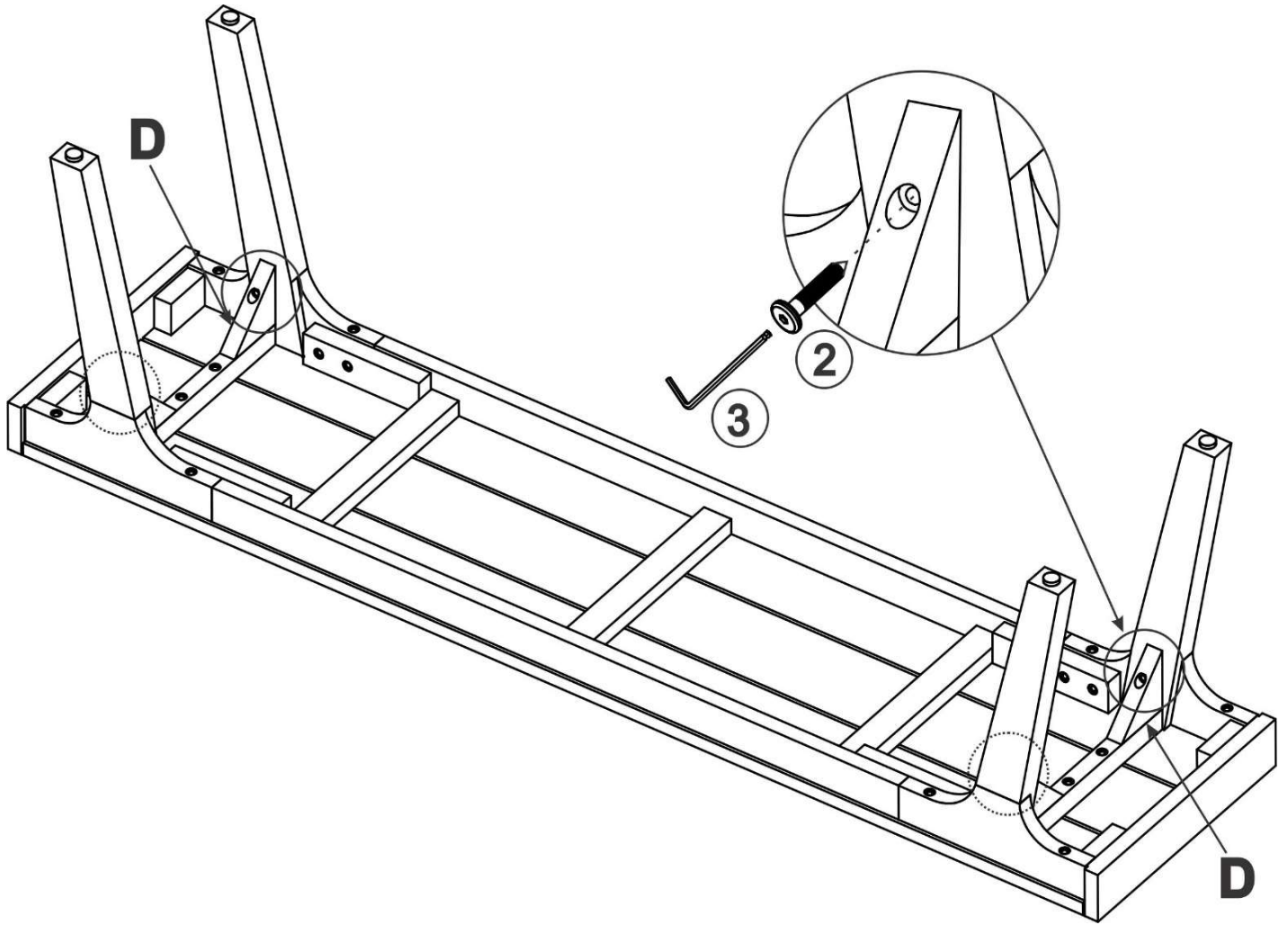
**Step 4.1:**



Affix the Support Bar (D) to the Table Top (A) using Screws (②) and the Allen Wrench (③).

**Only loosely tighten the screws at this time.**

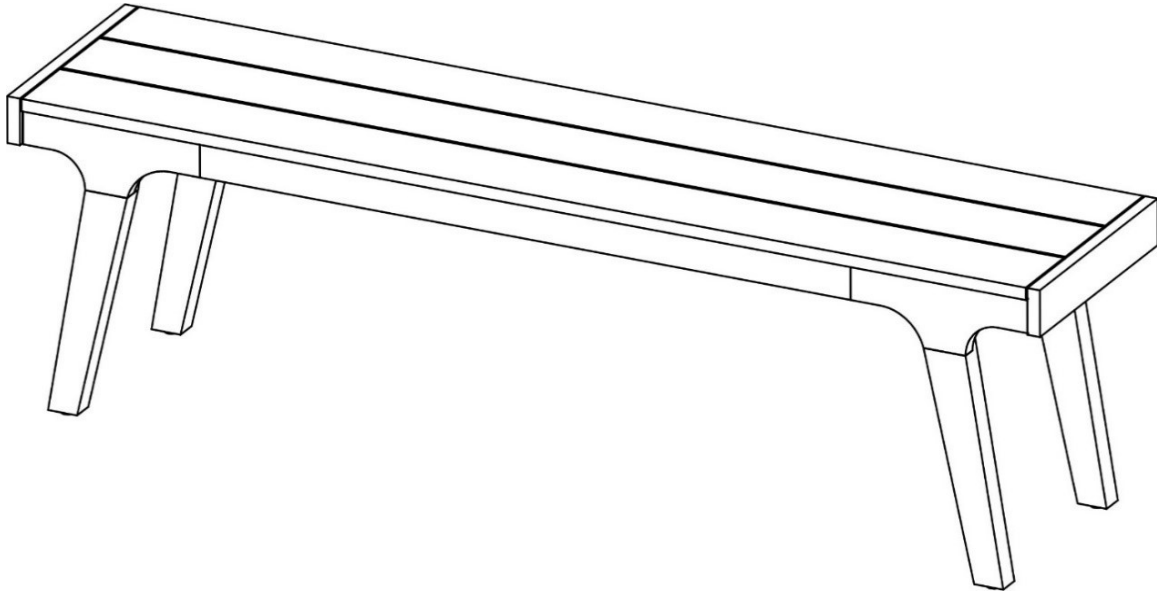
**Step 4.2:**



Then insert Screws (②) using the Allen Wrench (③) as shown in the picture above.

**Only loosely tighten the screws at this time.**

## **Step 5:**



Stand the Bench right side up.

Place the Bench on a LEVEL surface.

Inspect it and make sure all parts are adequately connected.

Gently and gracefully, sit on the Bench.

This pressure will help the Legs and Bench reach full alignment status.

Check for wobbles on a LEVEL surface. If the bench does not wobble, proceed to tighten all bolts and screws.

When tightening these screws and Bolts, tighten sequentially.

DO NOT tighten any screw or bolt fully and then move towards the next one.

This would cause the frame to warp.

If there are any wobbles after tightening, loosen the screws and bolts and execute this same process.

Inspect the Bench and make sure all parts are adequately connected.

Your Bench is ready for use.

**This Bench can only be used on a flat, level surface.**

## Care & Maintenance:



- Do not put hot items directly on furniture surface.



- Do not clean furniture with harsh cleansers or polish.



- To obtain the longest lifespan of your outdoor products, minimizing exposure to direct sunlight is recommended.



- Children should not climb or jump on the furniture.



- Do not write on furniture without a padded barrier to protect the surface.



- To obtain the longest lifespan of your outdoor products, avoid extended and lengthy exposure to rain, snow, and direct sunshine. Whenever possible cover the product and /or place under patio or awnings.



- Not for commercial use. For residential use only.



- Stains may be removed with mild soap solution and damp cloth.



- Dust and pick-up spills using a clean, non-colored, lint-free cloth.