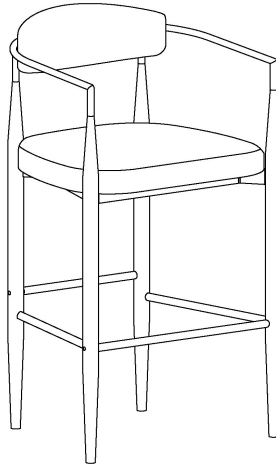


Assembly Instructions

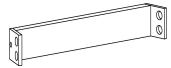



Caution : You must read this before you proceed

Bar Stool



Parts List

Label	Picture	Description	QTY
A	A line drawing of a rectangular seat with rounded corners.	Seat	1
B	A line drawing of a curved backrest with a horizontal support bar at the bottom.	Backrest	1
C	A line drawing of the left side of a metal leg frame, showing two legs and a horizontal support bar.	Left Metal Leg Frame	1
D	A line drawing of the right side of a metal leg frame, showing two legs and a horizontal support bar.	Right Metal Leg Frame	1

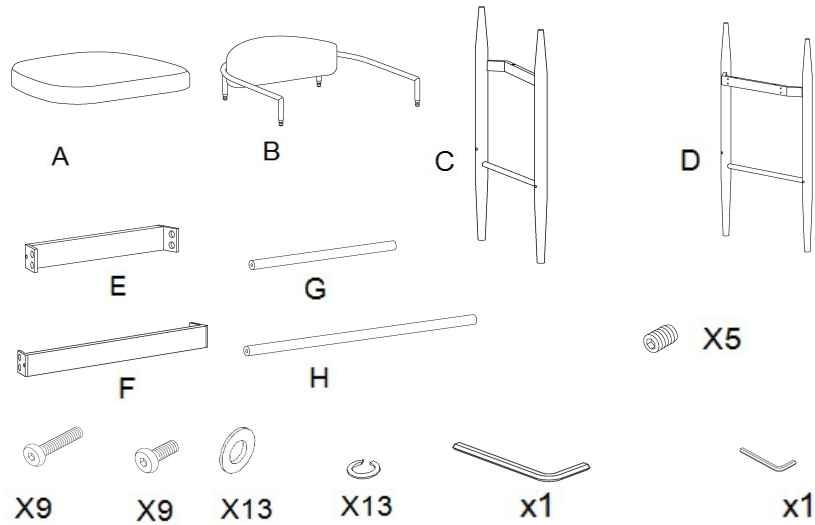
E		Back Upper Rail (270*40*38mm)	1
F		Front Upper Rail (416*40*38mm)	1
G		Back Bottom Rail (328*Φ19mm)	1
H		Footrest (498*Φ19mm)	1

Hardware

Label	Picture	Description	QTY
①		Bolt (M4*4mm)	5
②		Bolt (M6*54mm)	9
③		Bolt (M6*16mm)	9
④		Spring Washer(M6)	13
⑤		Washer (M6*Φ13mm)	13
⑥		Allen Wrench(M4)	1
⑦		Allen Wrench(M2)	1

Assembly Preparation

Before Beginning Assembly:



- Read instructions, cover to cover-



- Have 2 adults on hand for assembly-



- Do not assemble on flooring or carpet-



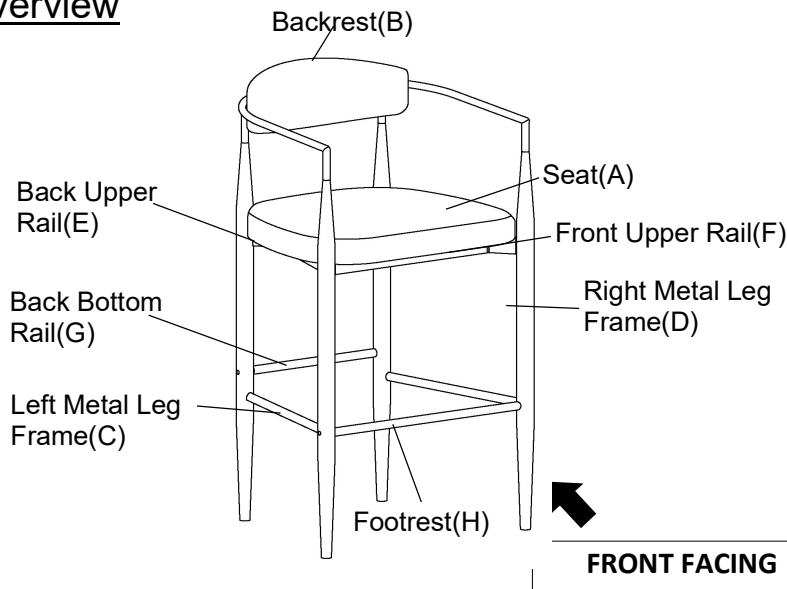
- Assemble on a clean non-marring surface (packing foam)-



- Save all packaging until finished-

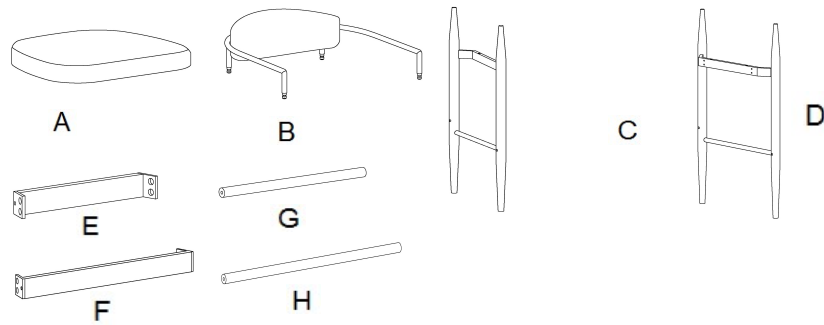
Assembly Steps

Overview



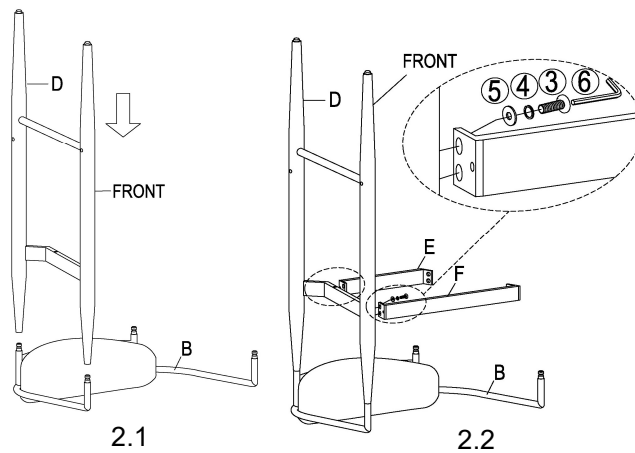
This Barstool has multiple parts and may require up to 30 minutes to assemble. To give you an overview of the Barstool, the above picture is to help you put the various parts into perspective. Please read through the instructions below to familiarise yourself with the parts and steps before assembly.

Step 1



Place the Seat(A), Backrest(B) Left Metal Leg Frame(C), Right Metal Leg Frame(D), Back Upper Rail(E), Front Upper Rail(F), Back Bottom Rail(G) and Footrest(H) on a clean, non-marring surface.

Step 2

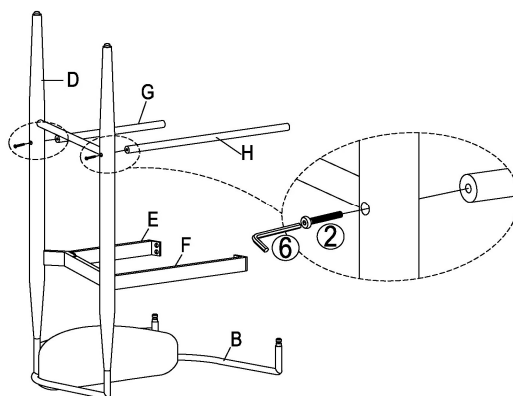


2.1 Place the Backrest(B) facedown on a clean, non-marring surface. Insert the Right Metal Leg Frame(D) onto the Backrest(B).

2.2 Attach the Back Upper Rail(E) and Front Upper Rail(F) to the Right Metal Leg Frame(D) using Bolts(3), Spring Washers(4) and Washers (5), with the Allen Wrench(6) as shown above.

Note: Do not fully tighten the Bolts in the step.

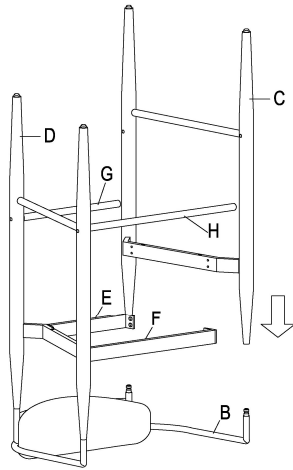
Step 3



Attach the Back Bottom Rail(G) and Footrest(H) to the Right Metal Leg Frame(D) using Bolts(2), with the Allen Wrench(6) as shown above.

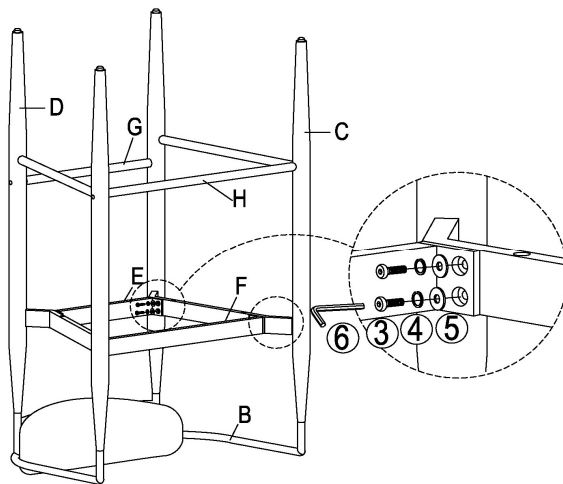
Note: Do not fully tighten the Bolts in this step.

Step 4



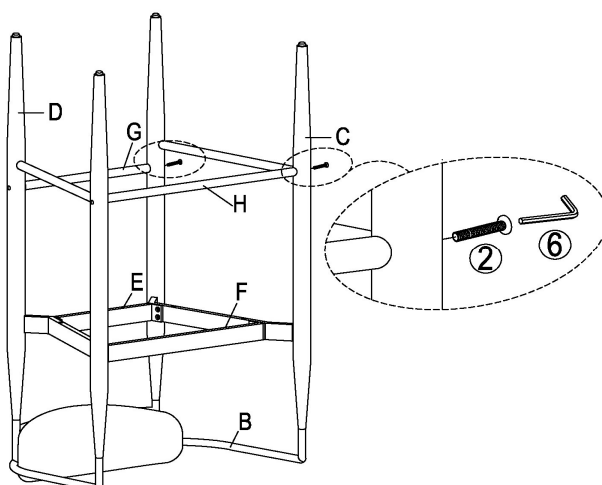
Insert the Left Metal Leg Frame(C) onto the Backrest (B) as shown above.
Note: Do not fully tighten the Bolts in this step.

Step 5



Using Bolts(③), Spring Washers(④), and Washers (⑤), with the Allen Wrench(⑥) affix together the Left Metal Leg Frame(C), the Back Upper Rail(E) and the Front Upper Rail(F) as shown above.
Note: Do not fully tighten the Bolts in this step.

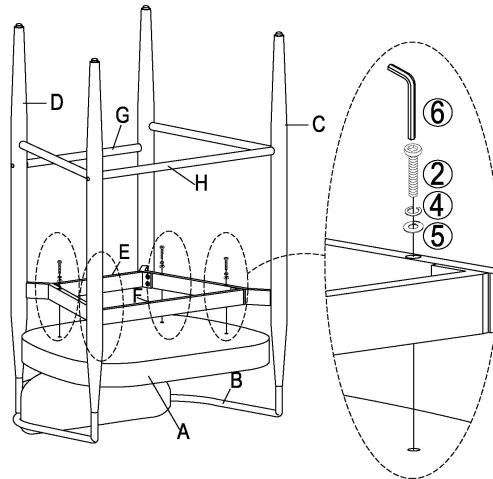
Step 6



Using Bolts(②) with the Allen Wrench(⑥) affix together the Left Metal Leg Frame(C), the Back Bottom Rail(G) and the Footrest(H) as shown above.

Note: Do not fully tighten the Bolts in this step.

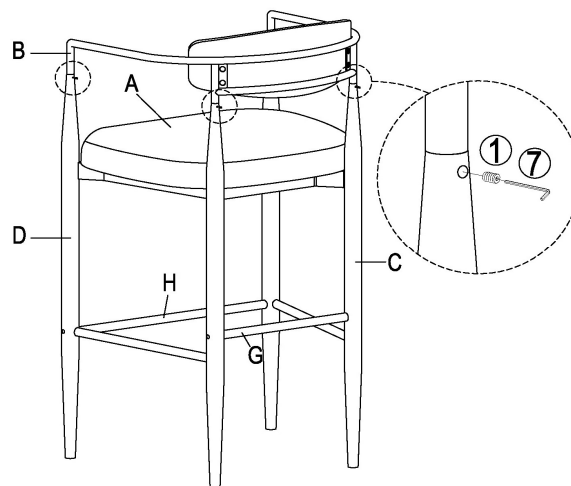
Step 7



Position the Seat(A) (bottom-up) as shown above, then using Bolts(②), Spring Washers(④), and Washers (⑤), with the Allen Wrench(⑥), affix the Seat(A), to the Left Metal Leg Frame(C) and Right Metal Leg Frame(D).

Note: Do not fully tighten the Bolts in this step.

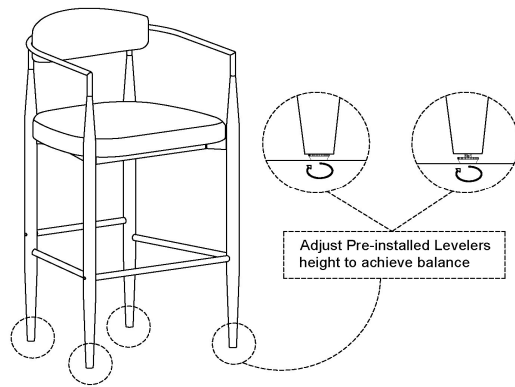
Step 8



Using Bolts(①) with the Allen Wrench(⑦) affix together the Backrest (B), Left Metal Leg Frame(C) and Right Metal Leg Frame(D) as shown above.

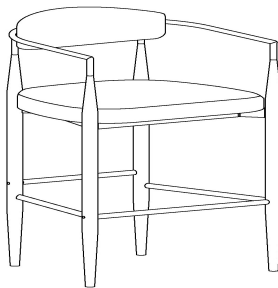
Note: Once the assembly is completed, proceed to tighten all bolts sequentially.

Step 9



Adjust the Pre-installed Levelers at the bottom of Left Metal Leg Frame(C) and Right Metal Leg Frame(D) until the Bar Stool is level with the ground.












Step 10



Your BarStool is ready for use.

This BarStool can only be used on a flat, level surface.

Care & Maintenance

-  • Furniture may scratch floors. We recommend using furniture pads to protect your floors.
-  • Do not put hot items directly on furniture surface.
-  • Do not clean furniture with harsh cleansers or polish.
-  • Do not place furniture under direct sunlight.
-  • Do not place furniture near heating or cooling vents.
-  • Do not write on furniture without a padded barrier to protect the surface.
-  • Do not place furniture outside . For indoor use only.
-  • Not for commercial use. For residential use only.
-  • Stains may be removed with mild soap solution and damp cloth.
-  • Children should not climb or jump on the furniture.
-  • Dust and pick-up spills using a clean, non-colored, lint-free cloth.