

WARNING!!

Children have died from furniture tipovers. Tip restraints have been included with this product; you must install the tip restraints according to these instructions in order to minimize the risk of furniture tipping. If you have any questions about this product or the tip restraint, please send us an email at tip_restraint_help@Noblehousefurniture.com

NEVER allow children to climb or hang on furniture, including drawers or cabinet doors.

In addition to installing the restrains, to help prevent tipovers

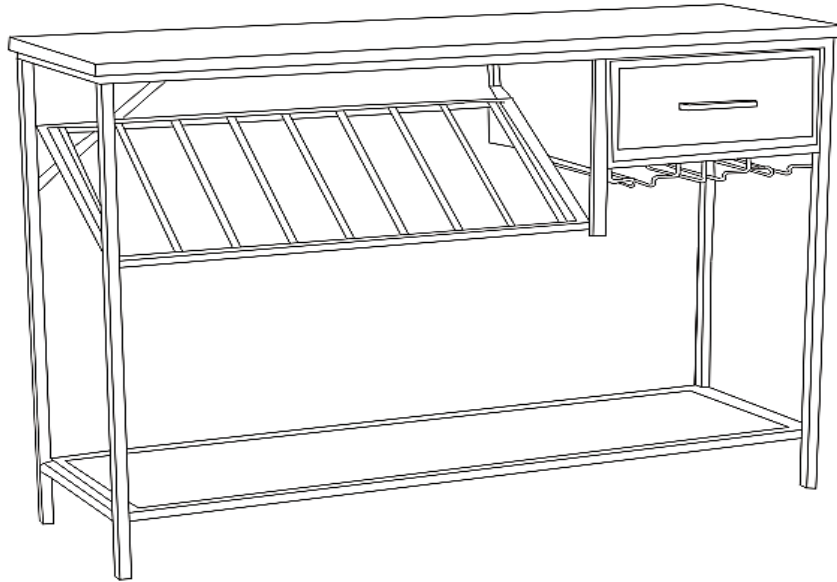
1. **NEVER** put a **TV** or other heavy objects on top of this product".
2. Do not stand on the products.

 WARNING	
	<p>Children have died from furniture tipover. To reduce the risk of furniture tipover:</p> <ul style="list-style-type: none">• ALWAYS install tipover restraint provided.• NEVER put a TV on this product.• NEVER allow children to stand, climb or hang on drawers, doors or shelves.• NEVER open more than one drawer at a time.• Place heaviest items in the lowest drawers.• Do not defeat or remove the drawer interlock system.
	<p><i>This is a permanent label. Do not remove!</i></p>




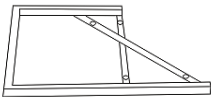
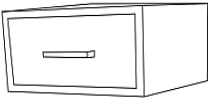
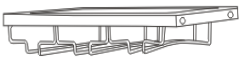
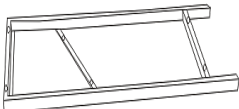
Assembly Instructions

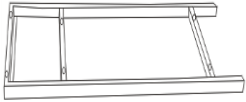

Caution : You must read this before you proceed

WINE RACK

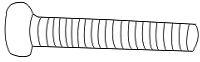

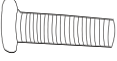





Parts List


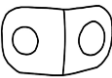
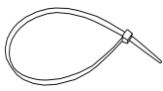


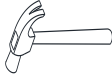

Label	Picture	Description	QTY
A		Table Top	1
B		Wine Rack	1
C		Bottom Panel (with Metal Frame)	1
D		Metal Bracket	1
E		Wooden Drawer	1
F		Wine Glass Holder	1
G		Left Side Frame	1

H		Right Side Frame	1
I		Metal Rod	2

Hardware

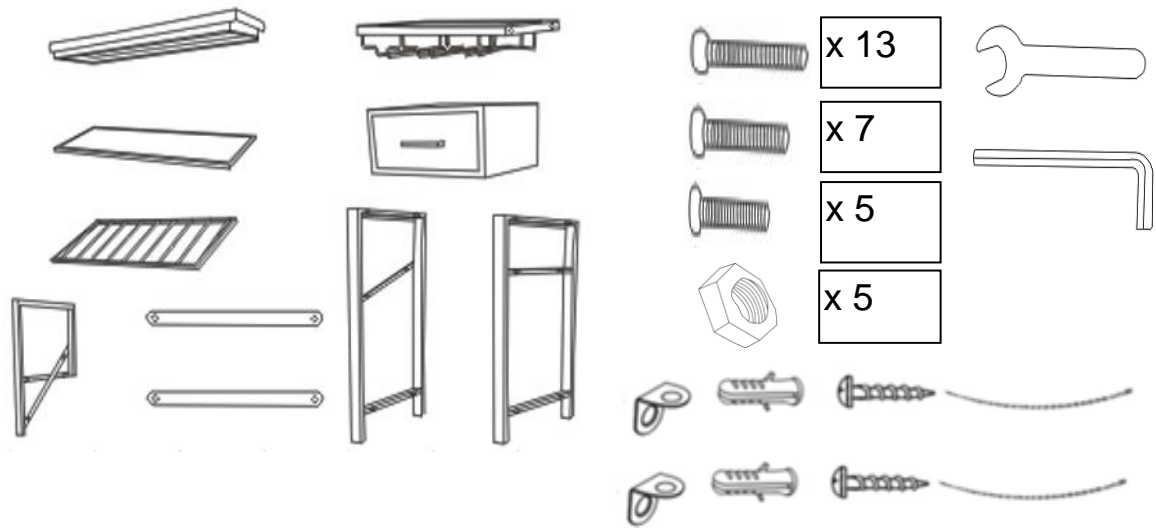
Label	Picture	Description	QTY
①		Bolt (M6X30mm)	13
②		Bolt (M6X20mm)	7
③		Bolt (M6X16mm)	5
④		Nut	5
⑤		Allen Wrench	1
⑥		Wrench	1

Restraint Device Hardware

⑦		Screw (50mm Self Tapping)	2
⑧		L-shape Metal Bracket	2
⑨		Restraint Strap	2
⑩		Screwdriver (Not provided)	1
⑪		Power Drill (Not provided)	1
⑫		Hammer (Not provided)	1
⑬		Plastic Anchor	2

Assembly Preparation

Before Beginning Assembly:



- Read instructions, cover to cover-



- Have 2 adults on hand for assembly-



- Do not assemble on flooring or carpet-



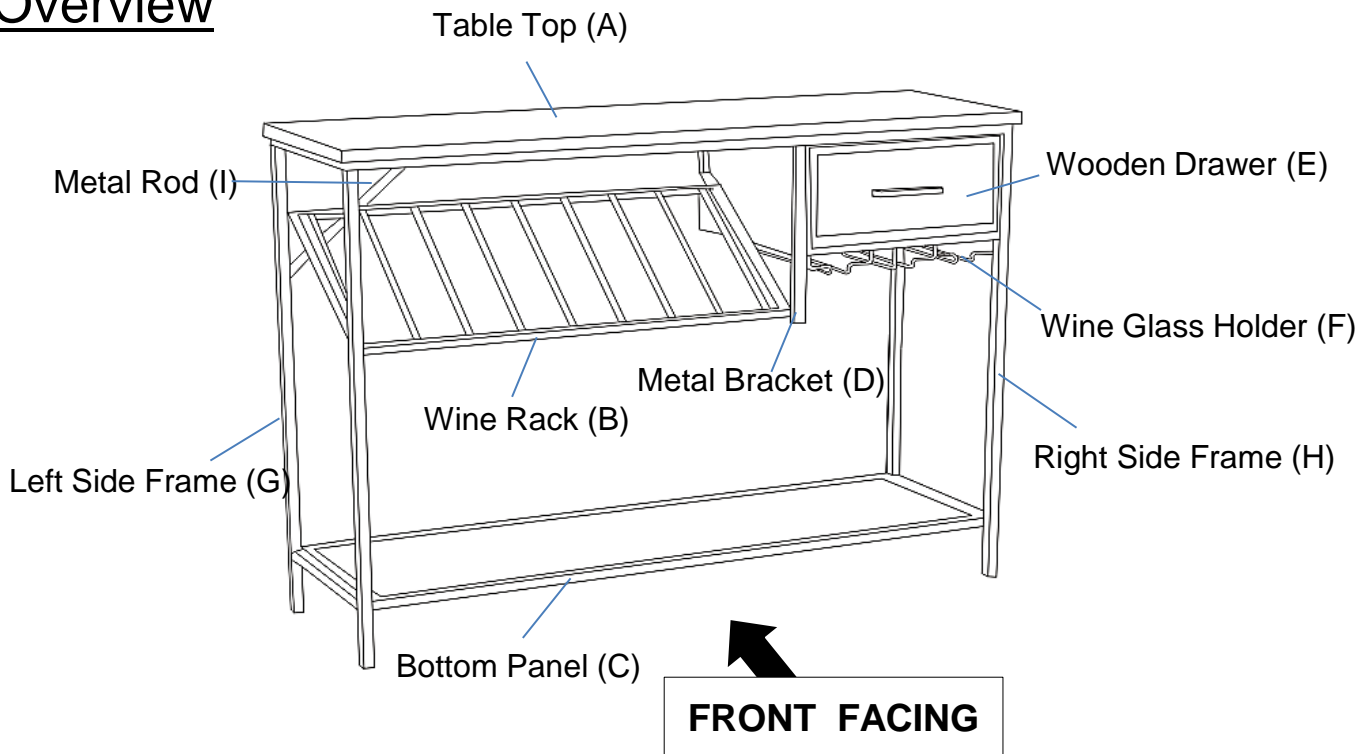
- Assemble on a clean non-marring surface (packing foam)-



- Save all packaging until finished-

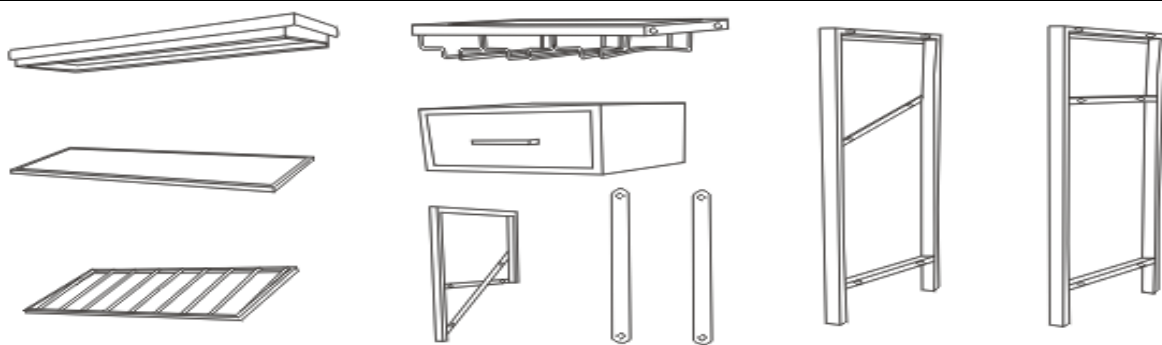
Assembly Steps

Overview



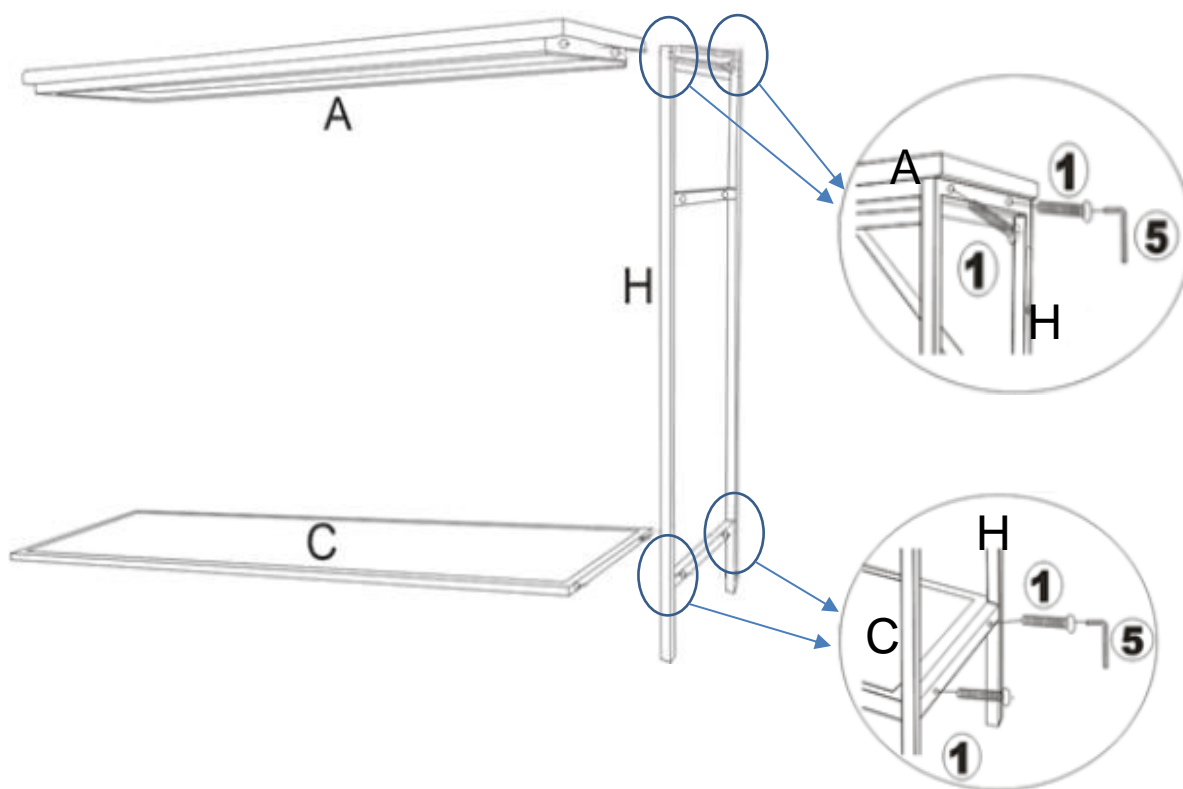
This Wine Rack has multiple parts and may require up to 30 minutes to assemble. To give you an overview of the Wine Rack parts, the above picture is to help you put the various parts into perspective. Please read through the instructions here below to familiarise the parts and steps before assembly.

Step 1



Unpack and place all parts on a clean, non-marring surface.

Step 2

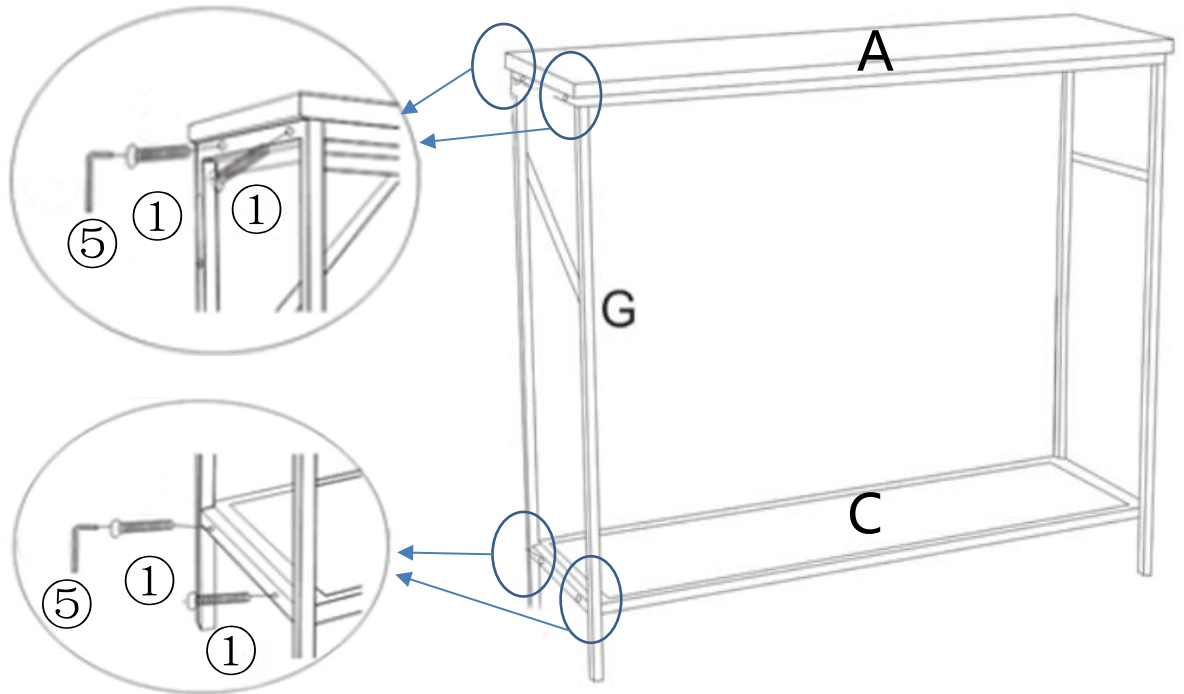


Align the mountings on the Right Side Frame(H) to the Table Top(A) and the Bottom Panel(C) as shown above.

Attach the Right Side Frame(H) to the Table Top(A) and the Bottom Panel(C) using the Bolts(①) with the Allen Wrench(⑤).

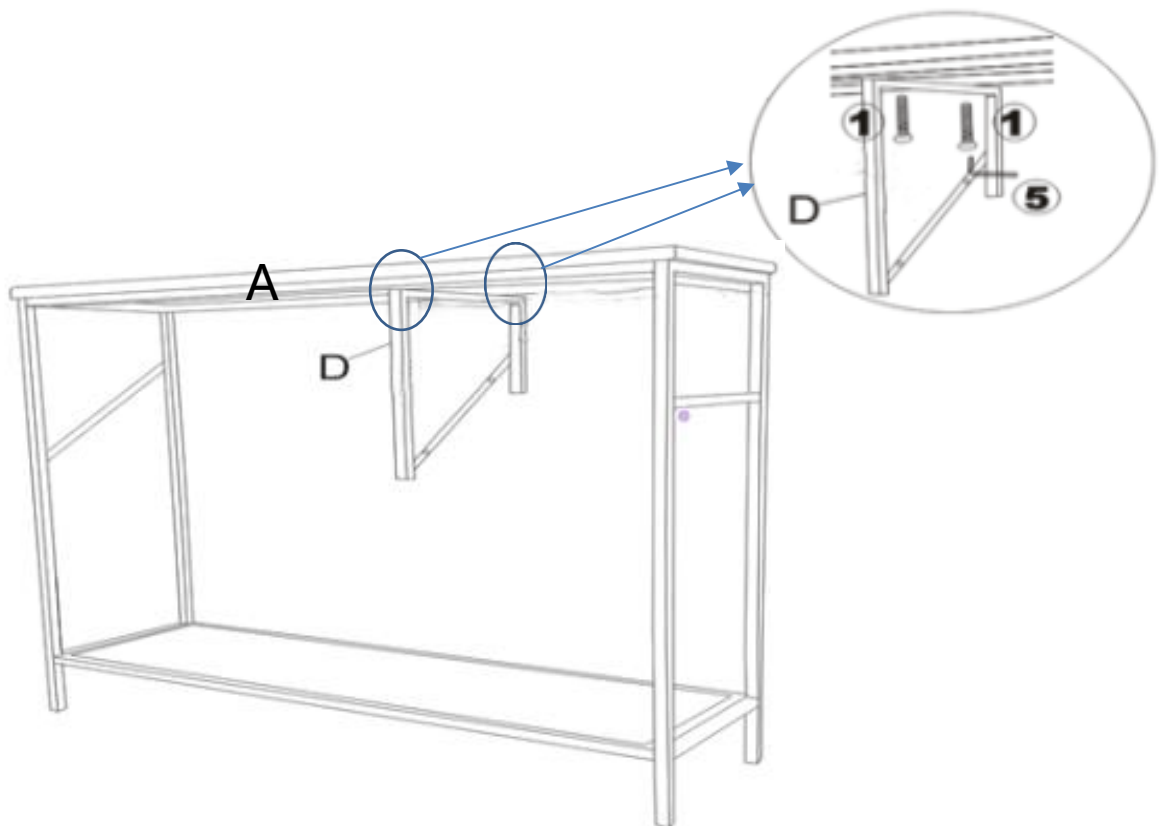
Do not fully tighten the Bolts.

Step 3



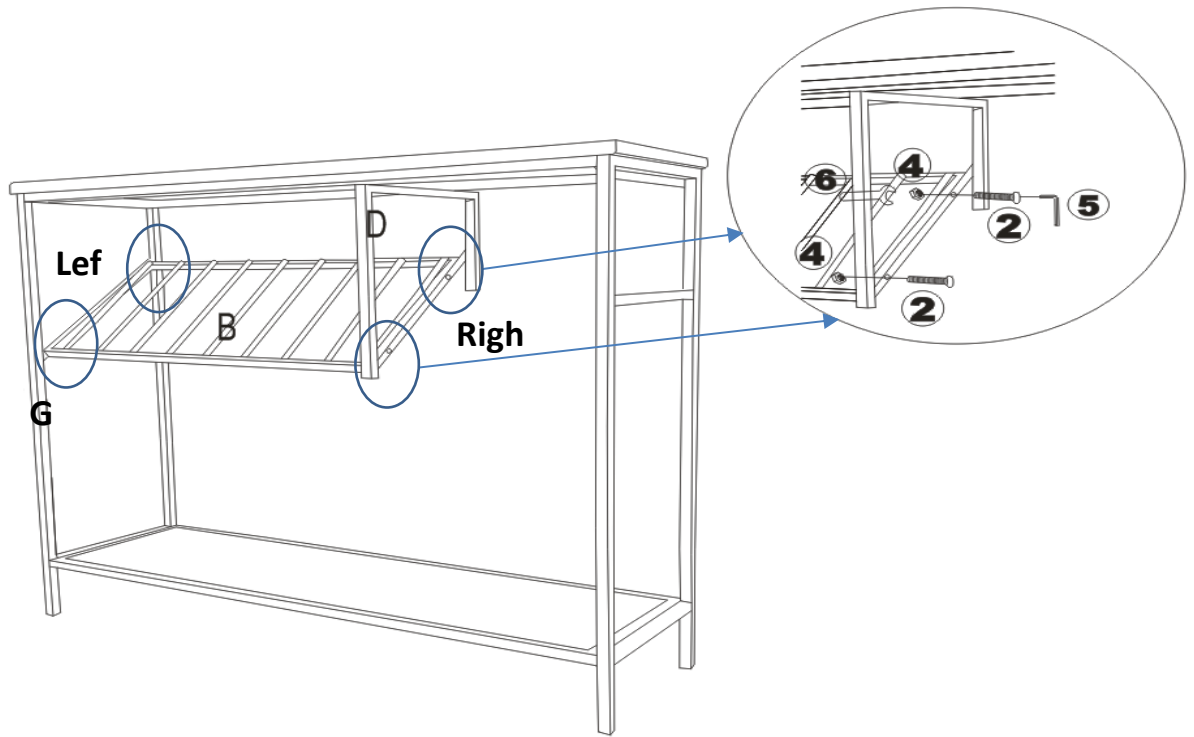
Then align the mountings on the Left Side Frame(G) to the Table Top(A) and the Bottom Panel(C) as shown above.
Attach the Left Side Frame(G) to the Table Top(A) and the Bottom Panel(C) using the Bolts(1) with the Allen Wrench(5).
Do not fully tighten the Bolts.

Step 4



Then with assistance from an adult partner, Align the mountings on the Metal Bracket(D) to the Table Top(A).
Attach the Metal Bracket(D) to the Table Top(A) using the Bolts(1) with the Allen Wrench(5).
Do not fully tighten the Bolts.

Step 5

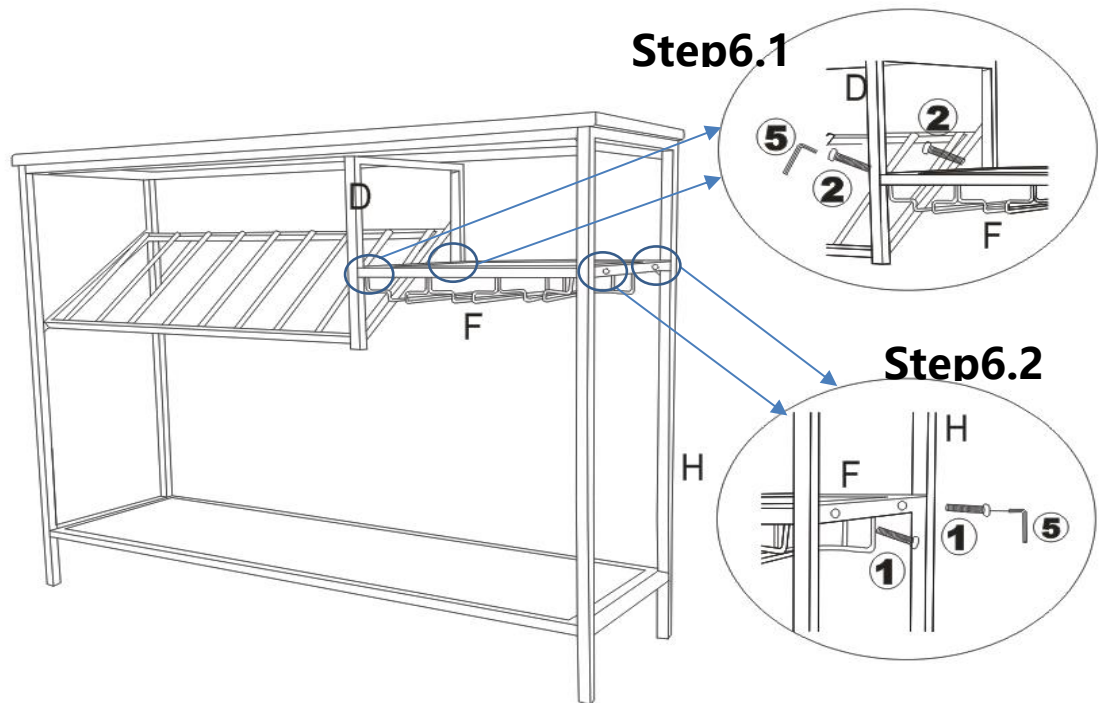


Attach the Wine Rack(B) to the Left Side Frame(G) and the Metal Bracket(D) using the Bolts(②), Nut(④) with the Allen Wrench(⑤).

Pay attention to attach the side marked "Left" to the Left Side Frame(G) and attach the side marked "Right" to the Metal Bracket(D).

Do not fully tighten the Bolts.

Step 6



Step 6.1:

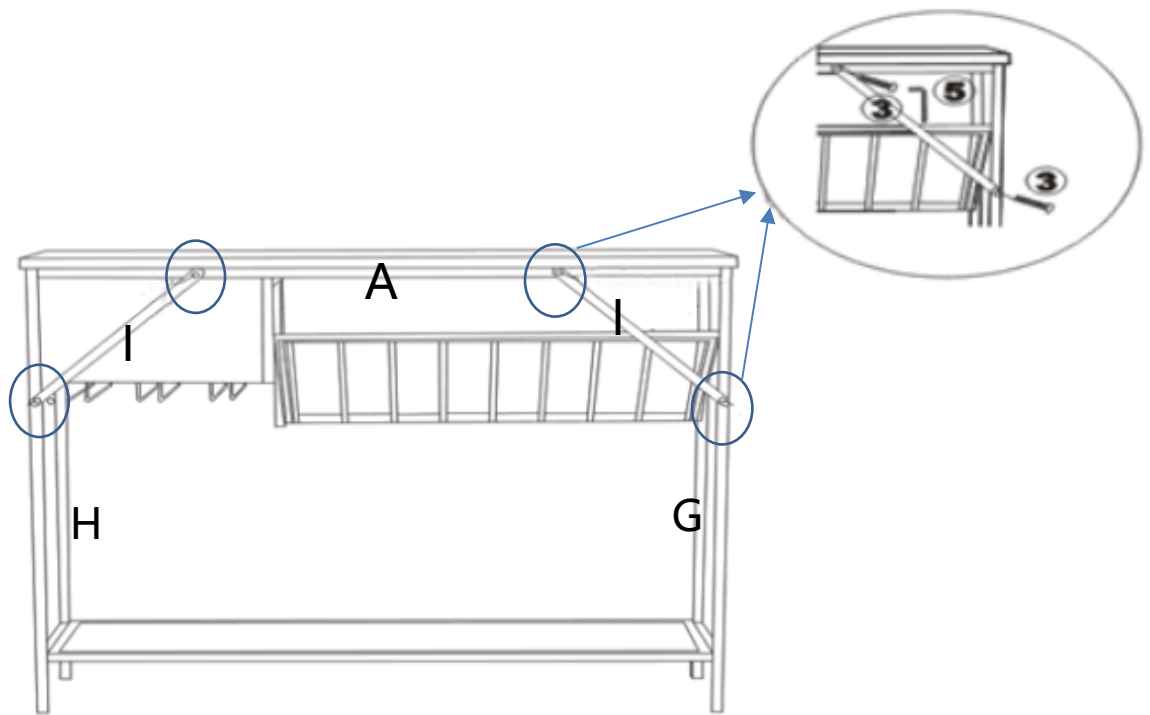
Attach the Wine Glass Holder(F) to the Right Side Frame(H) using the Bolts(②) with the Allen Wrench(⑤)

Step 6.2:

Attach the Wine Glass Holder(F) to the Right Side Frame(H) using the Bolts(①) with the Allen Wrench(⑤)

Do not fully tighten the Bolts.

Step 7



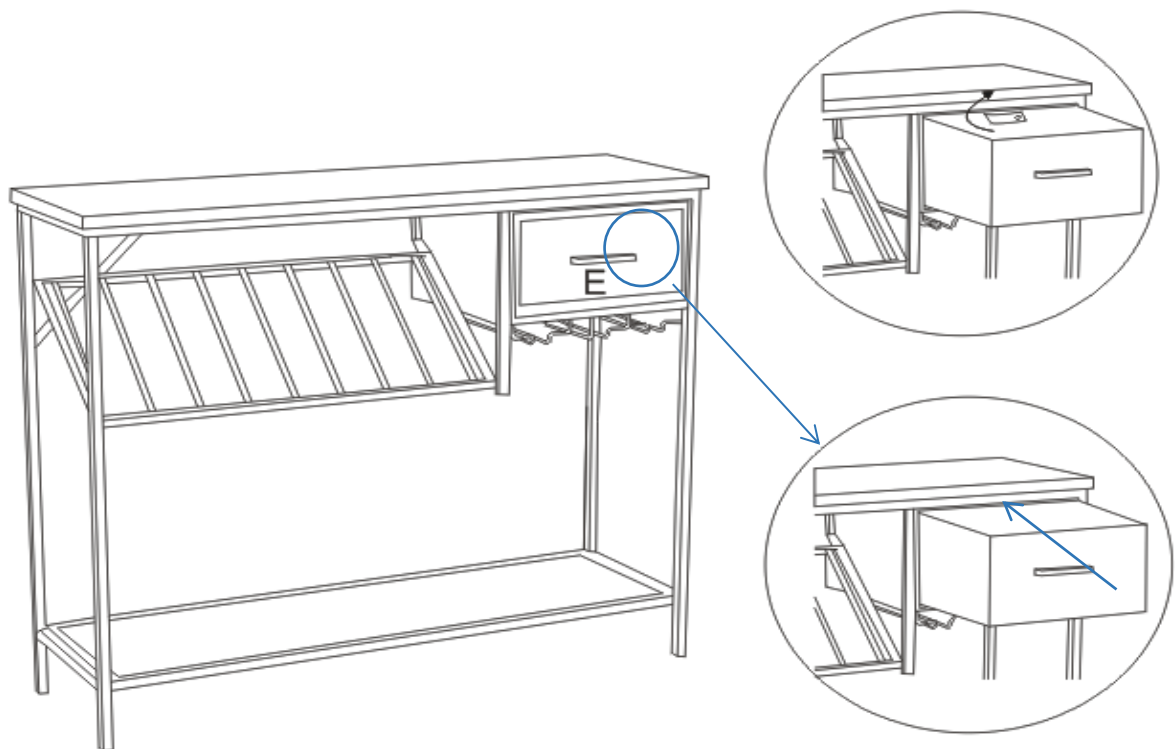
Then with assistance from an adult partner, turn the table around and face behind it, as shown

Attach the Metal Rods(I) to the Table Top(A) and the Right Side Frame(H) using the Bolts(③) with the Allen Wrench(⑤).

Repeat the same steps to install the Metal Rods(I) to the Table Top(A) and the Left Side Frame(G)

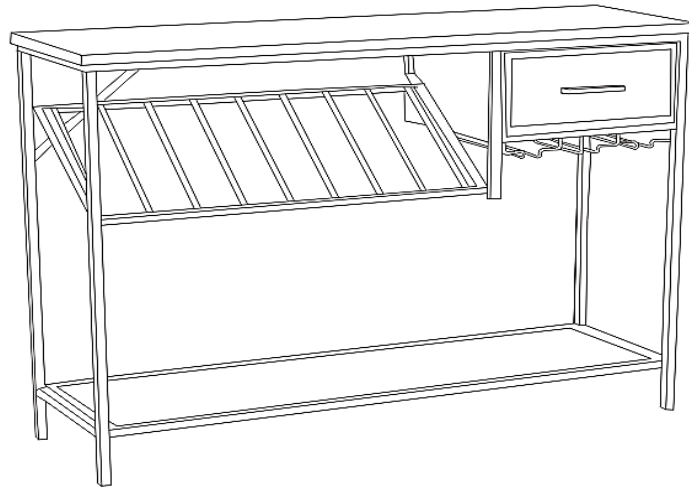
Tighten the Bolts fully in a sequential manner.

Step 8



Then insert the Wooden Drawer(E) as shown above; rotate the stopper to be vertical, to avoid the drawer from falling down.

Step 9



Turn the WINE RACK back around, facing the front.
Your WINE RACK is ready for use.

Caution: This WINE RACK can only be used on a flat, level surface.

Tipover Restraint Device Installation Instruction

WARNING

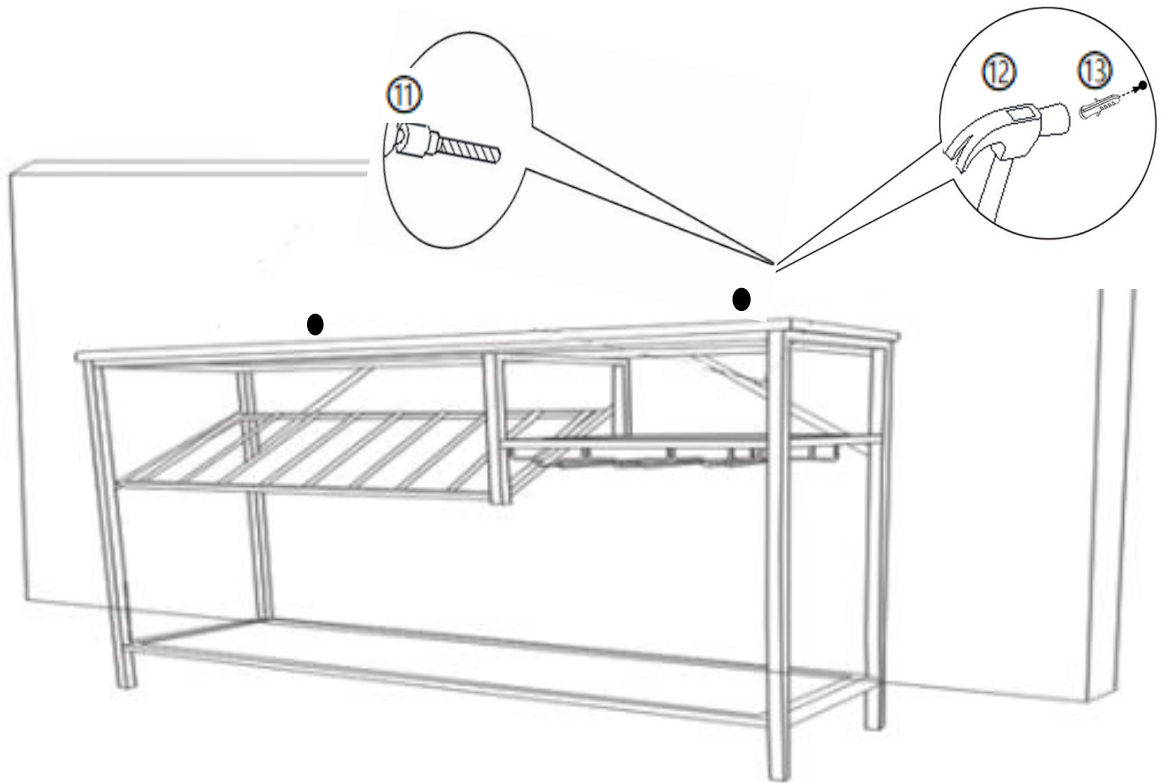
Serious or fatal crushing injuries can occur from tipping furniture.
To help prevent tip-over: ALWAYS secure this furniture to the wall using the Restraint Device.
See product instructions for more ways to help prevent furniture tip-over.



Usage For Table Restraint Device:

To secure the WINE RACK against wall, attach 1pc L-shape Metal Bracket(®) on the wall, use the Restraint Strap(®) to connect the L-shape Metal Bracket(®) and Ring on the back of the WINE RACK.

Step 1



1.1) Drill two holes on the wall at same height as the Ring on the back of the table using Power Drill(⑪)

(Caution: The distance from the Brackets to the floor should be 29.5")

You can mark this point in two ways as below:

1) Move the WINE RACK back to the wall. Mark a point on the wall at the same height as the WINE RACK.

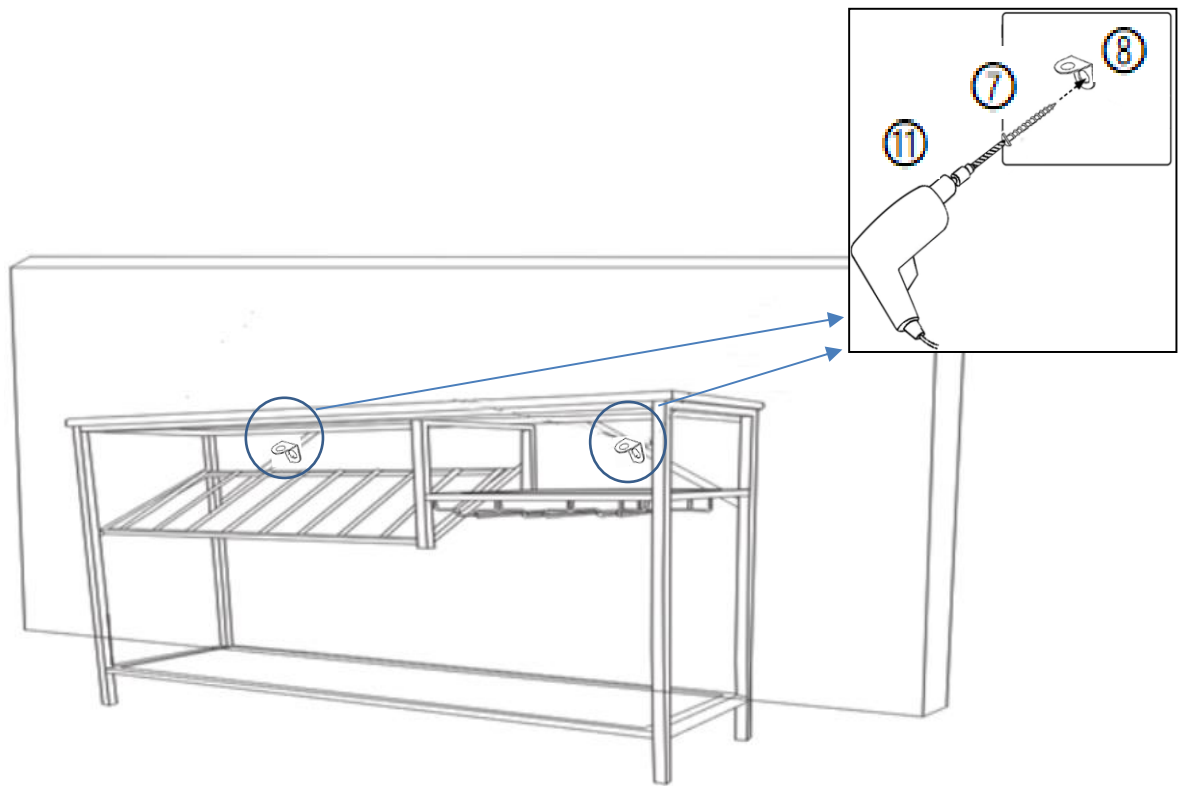
Note: The Metal Bracket needs to be secured to a solid, load bearing surface.

Please use a Stud Finder (not supplied) if needed, to locate the Wall Frame.

2) Measure the height of the ring on the table with a ruler/measuring tape, then measure the same height on the wall for the L-shape Metal Bracket(⑧) and mark on the wall to keep it accurate.

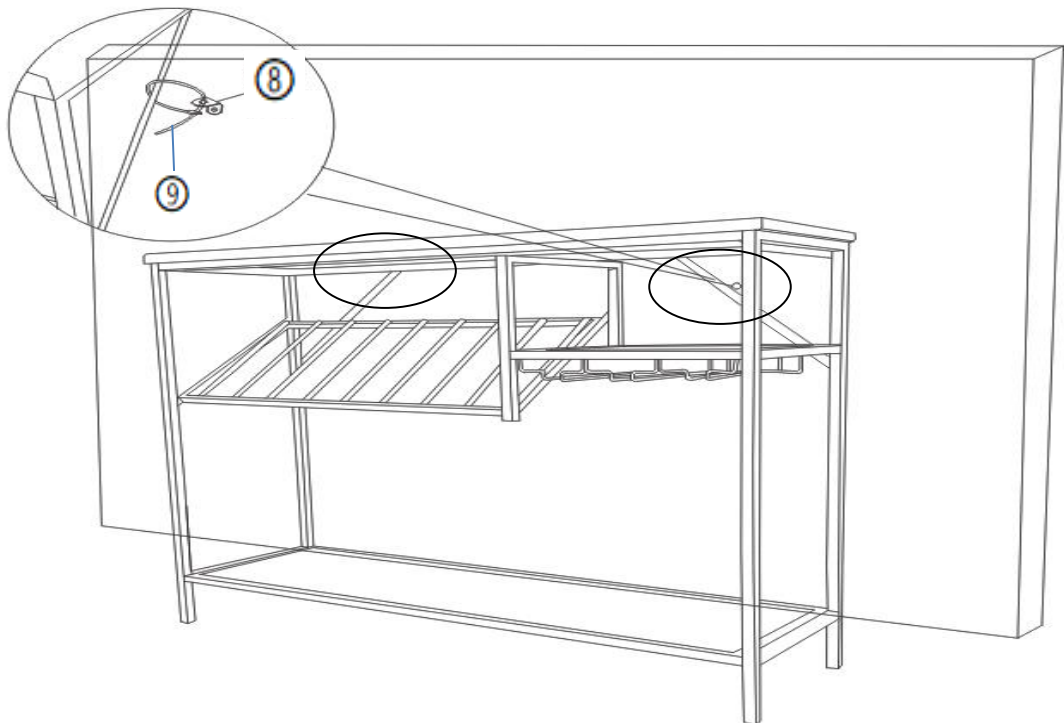
1.2) Attach a Plastic Anchor(⑬) to the hole on the wall using a Hammer(⑫).

Step 2



Attach the L-shape Metal Bracket(⑧) to the Plastic Anchor (⑬) using a Screw(⑦) with a Power Drill(⑪)

Step 3



Move the WINE RACK back against wall.

Pull the Restraint Strap(⑨) through the L-shape Metal Bracket(⑧) on the wall and Table, and pull the Restraint Strap(⑨) tight.

Your WINE RACK is ready for use.

Caution: This WINE RACK can only be used on a flat, level surface.

Care & Maintenance



- Furniture may scratch floors. We recommend using furniture pads to protect your floors.



- Do not put hot items directly on furniture surface.



- Do not clean furniture with harsh cleansers or polish.



- Do not place furniture under direct sunlight.



- Do not place furniture near heating or cooling vents.



- Do not write on furniture without a padded barrier to protect the surface.



- Do not place furniture outside . For indoor use only.



- Not for commercial use. For residential use only.



- Stains may be removed with mild soap solution and damp cloth.



- Children should not climb or jump on the furniture.



- Dust and pick-up spills using a clean, non-colored, lint-free cloth.