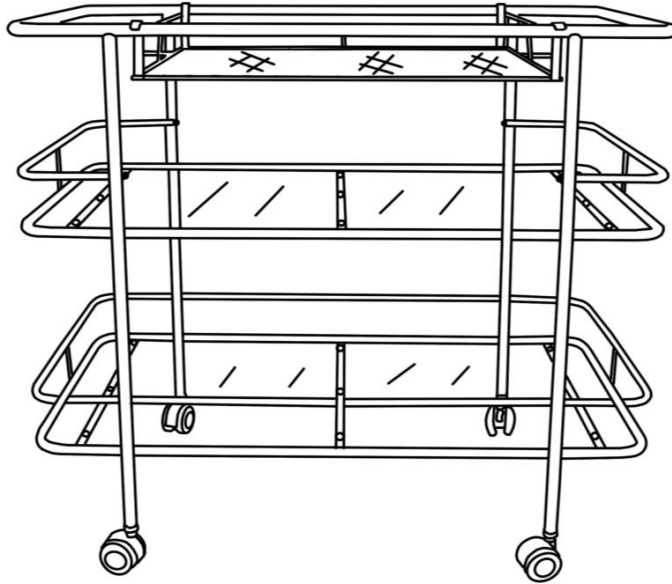


Assembly Instructions


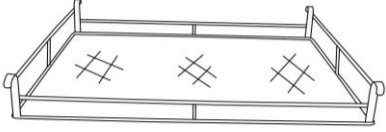


Caution: You must read this before you proceed

Bar Cart



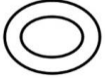
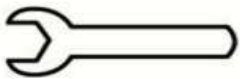



Parts List

Label	Picture	Description	QTY
A		Legs	4
B		Top Frame	1
C		Middle Shelf Frame	1
D		Bottom Frame	1

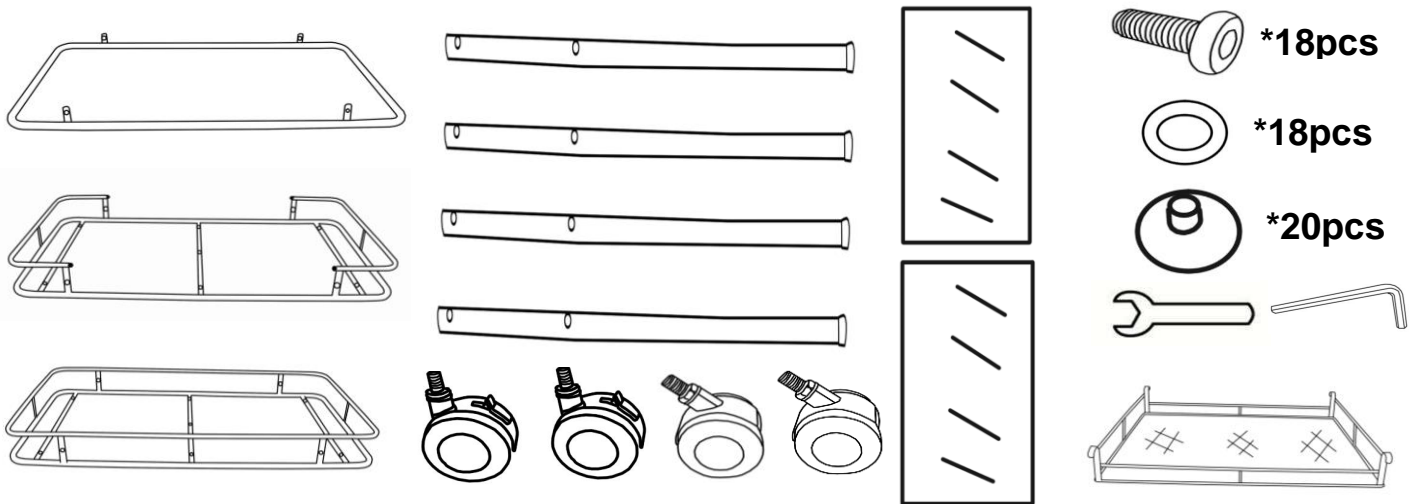
E		Glass	2
F		Top mesh shelf	1
G		Wheel	2
H		Wheel with Brake	2

Hardware

Label	Picture	Description	QTY
①		Allen Wrench	1
②		Bolt (M6*16MM)	18
③		Flate Wash	18
④		Spanner	1
⑤		Glass Suction Cup	20

Assembly Preparation

Before Beginning Assembly:



- Read instructions, cover to cover-



- Have 2 adults on hand for assembly-



- Do not assemble on flooring or carpet-



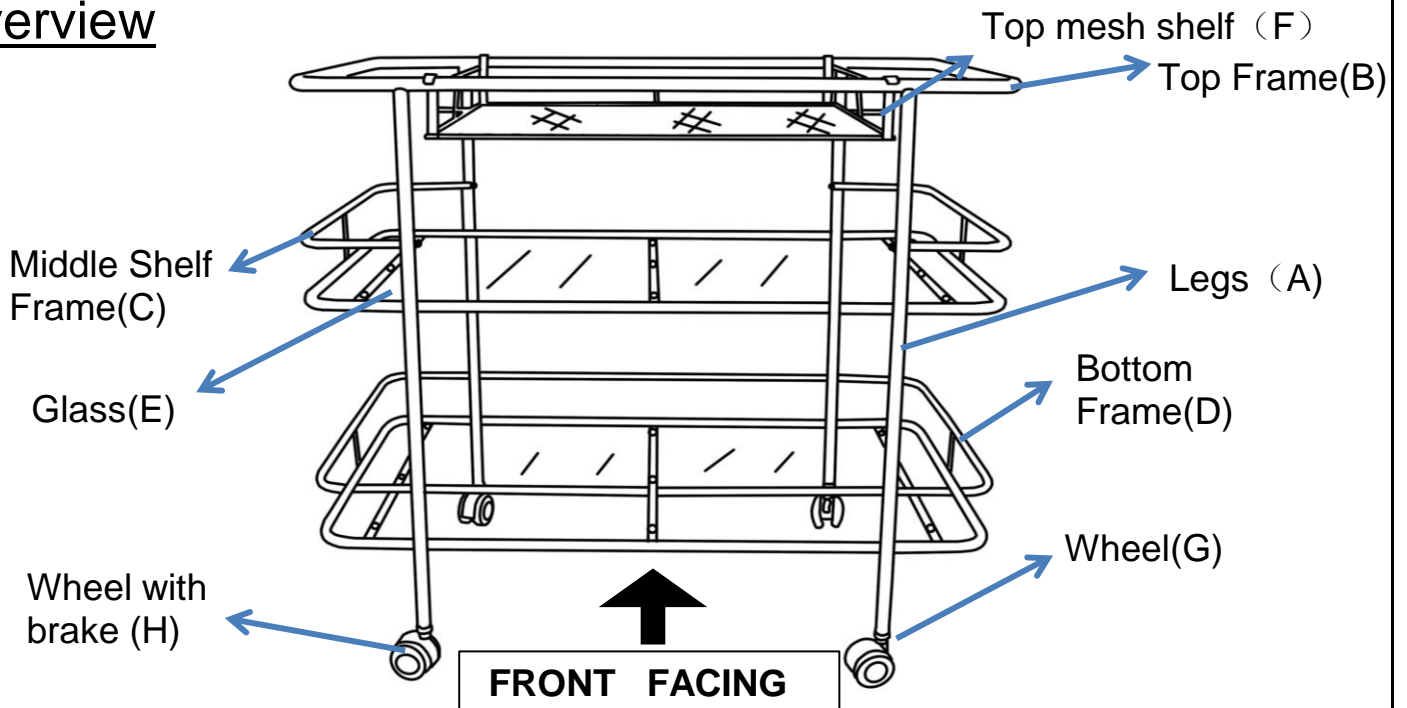
- Assemble on a clean non-marring surface (packing foam)-



- Save all packaging until finished-

Assembly Steps

Overview

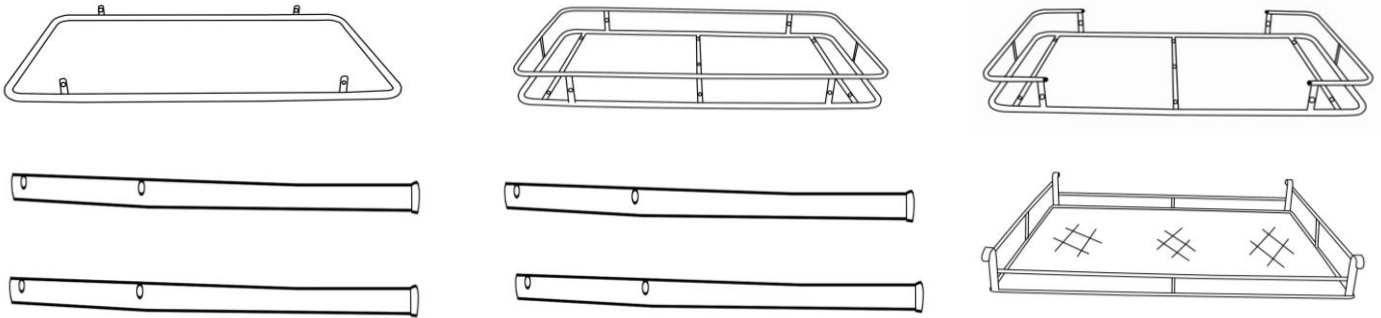


This Bar Cart has multiple parts and may require up to 30 minutes to assemble.

To give you an overview of the Bar Cart parts, the above picture is to help you put the various parts into perspective.

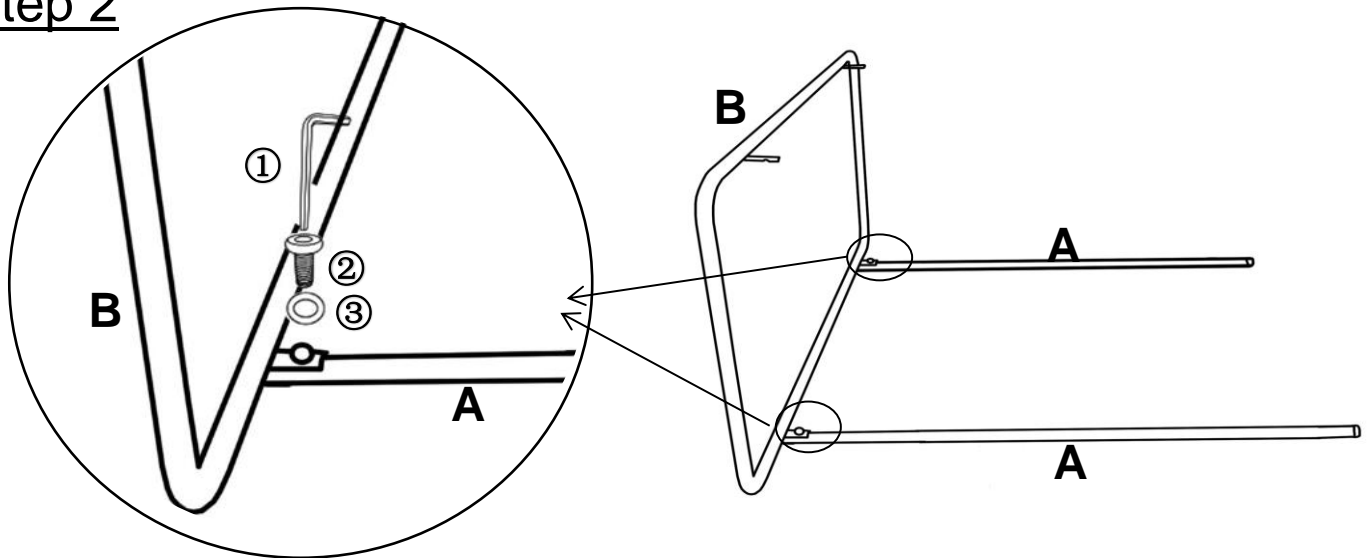
Please read through the instructions below to familiarise yourself with the parts and steps before assembly.

Step 1



Unpack all parts and place on a clean, non-marring surface.

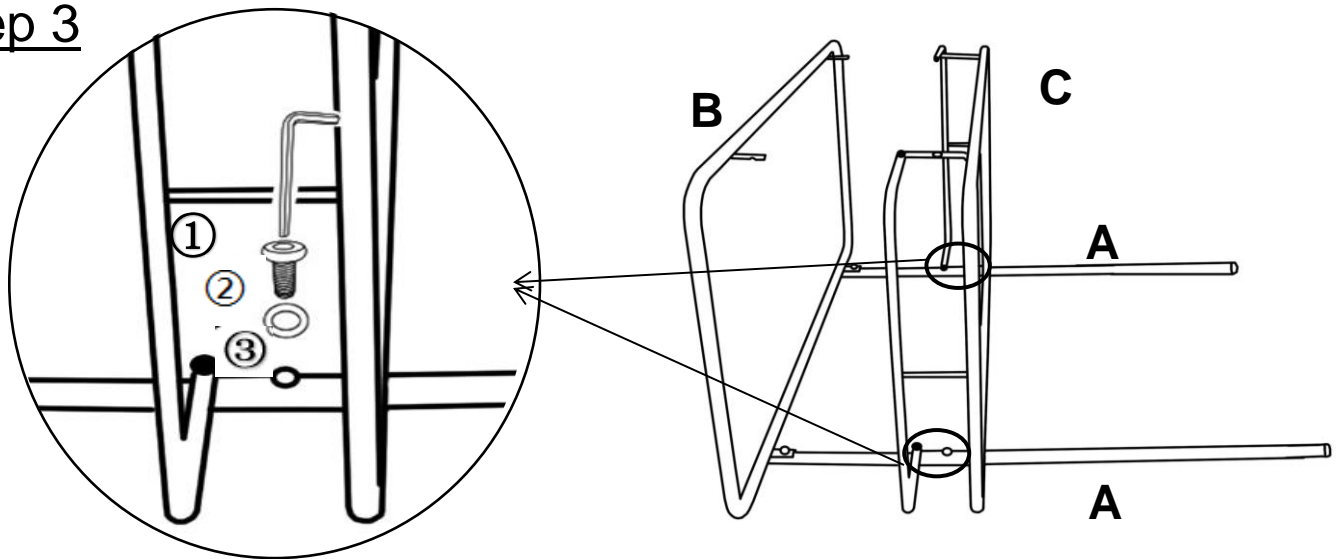
Step 2



Attach Legs(A) to Top Frame(B) using Bolts(2) and Flat Washer(3) with Allen Wrench(1).

Do not fully tighten the Bolts.

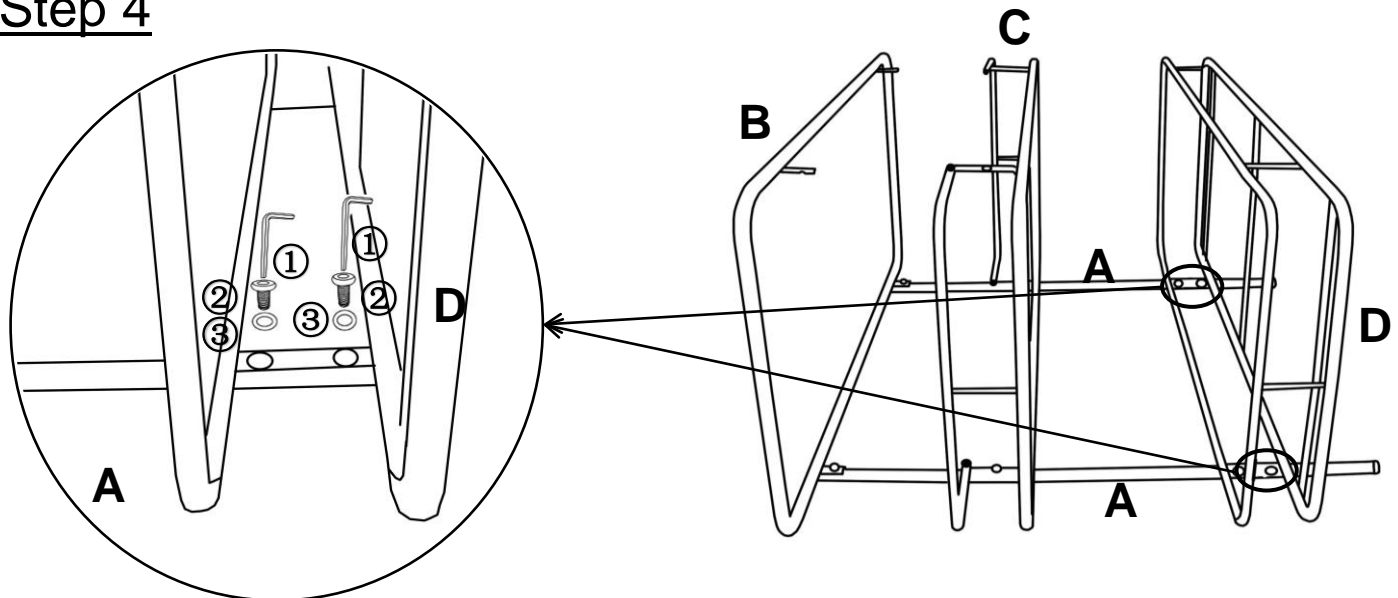
Step 3



Attach Middle Shelf Frame(C) to Legs(A) using Bolts(②) and Flat Washer(③) with Allen Wrench(①).

Do not fully tighten the Bolts.

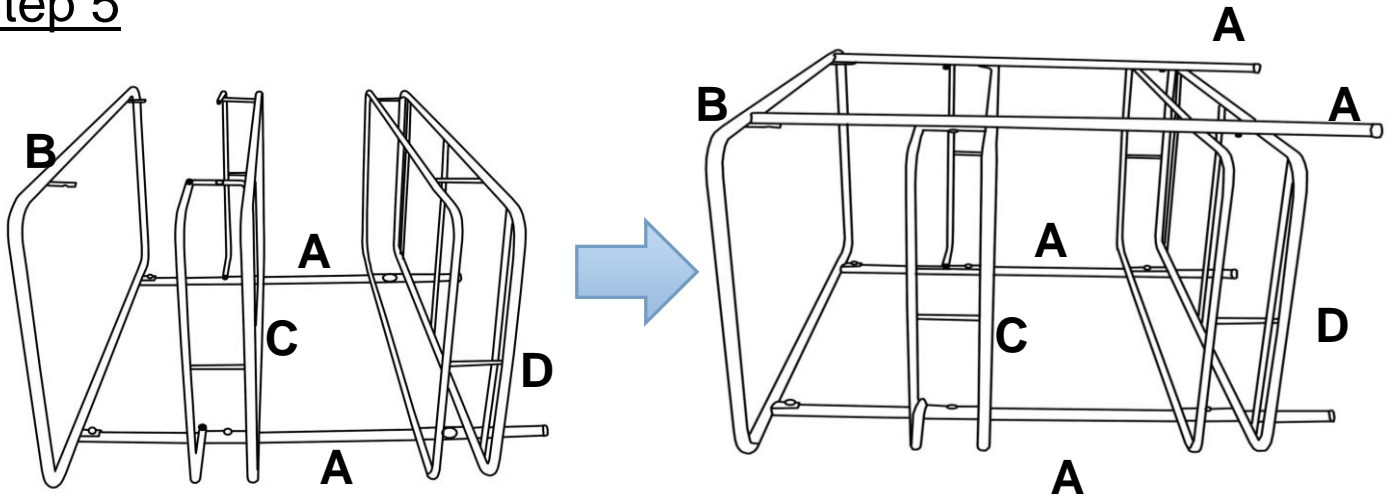
Step 4



Attach Bottom Frame(D) to Left Frame(A) using Bolts(②) and Flat Washer(③) with Allen Wrench(①).

Do not fully tighten the Bolts.

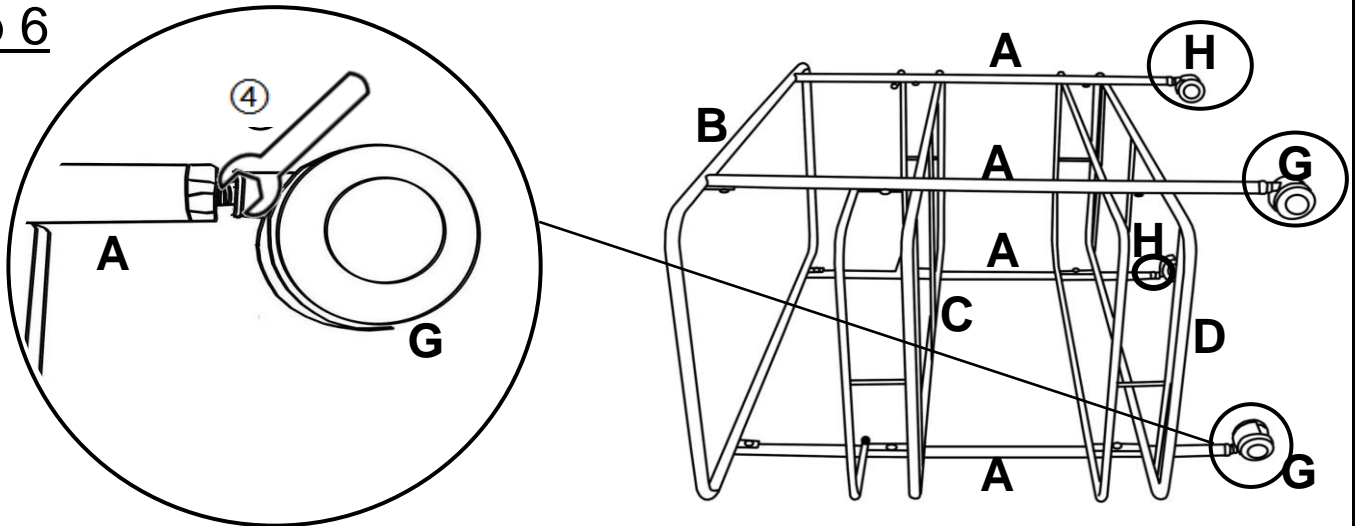
Step 5



Repeat **Steps 2 - 4** to assemble rest Legs(A).

Tighten all the Bolts.

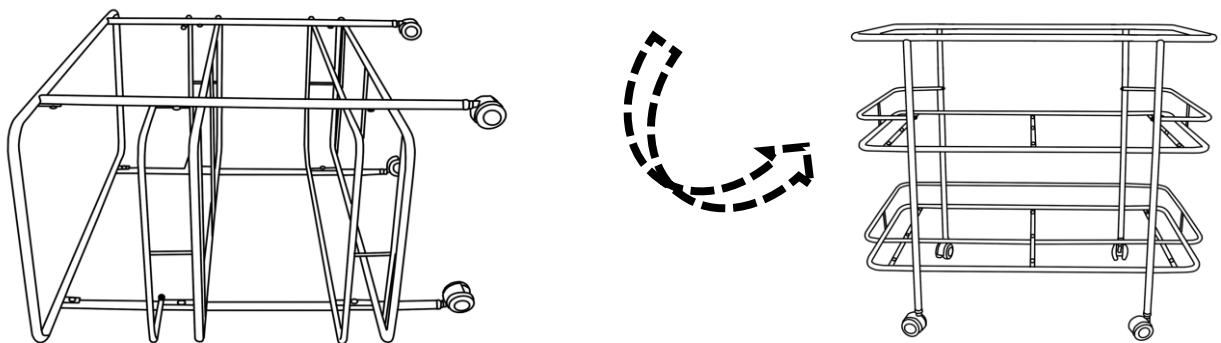
Step 6



Attach Wheels with Brakes(H) to Legs(A) in Left side using Spanner(4).

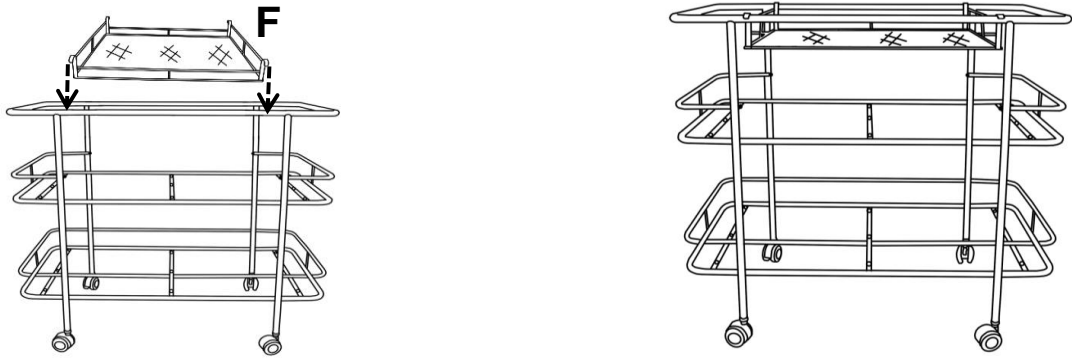
Attach Wheels(G) to Legs(A) in Right Side using Spanner(4).

Step 7



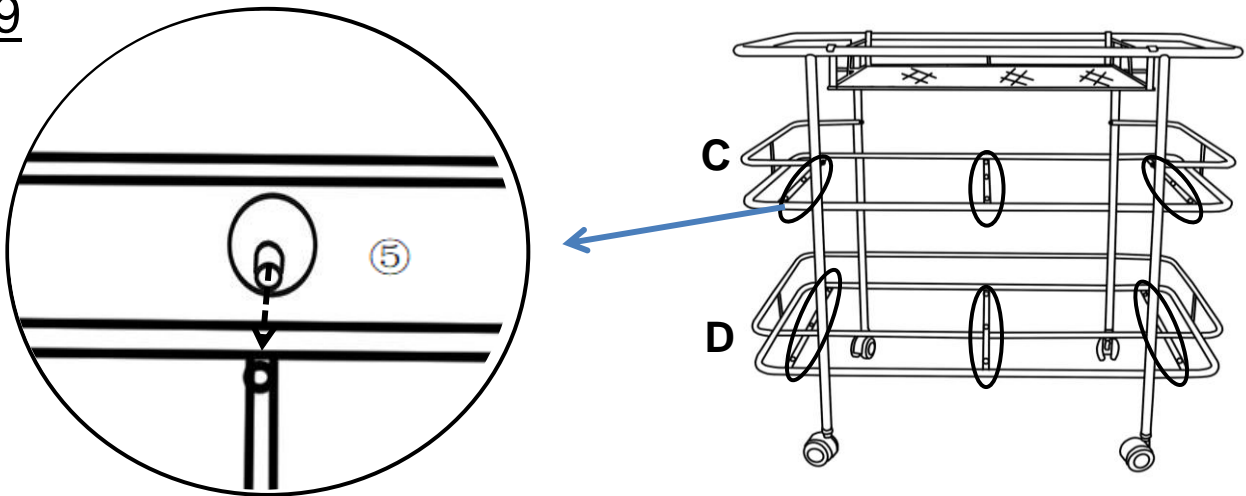
Stand the Bar Cart up, as shown.

Step 8



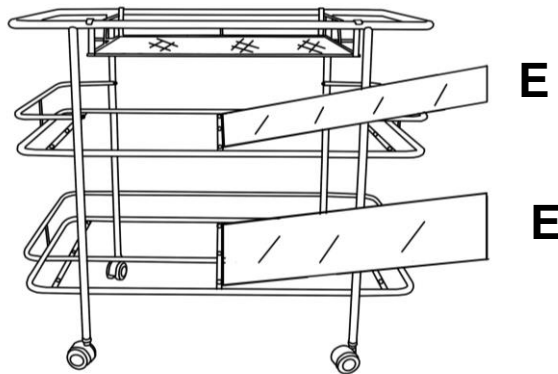
Attached Top mesh Shelf (F) to Pre-assembled Frame(A,B,C,D,E) .

Step 9



Attach Glass Suction Cups(⑤) to Middle Shelf Frame(C) and Bottom Frames(D), as shown.

Step 10

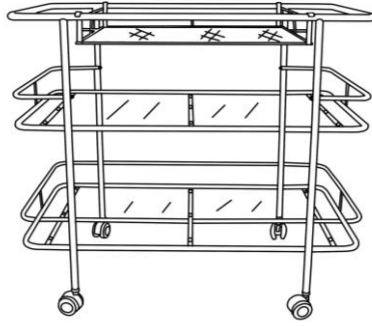


Carefully, insert Glass(E) into Middle Shelf Frame(C) and Bottom Frame(D). Gently press down on the Glass Shelves after you put them into the frame.

Please pressure down on each corner to adjust the gap between glass and frame.

Then, Tighten all bolts at all joints fully in a sequential manner.












Step 11



Your Bar Cart is ready for use.

This Bar Cart can only be used on a flat, level surface.

Care & Maintenance

- ✓  ● Furniture may scratch floors. We recommend using furniture pads to protect your floors.
 - ⊘  ● Do not put hot items directly on furniture surface.
 - ⊘  ● Do not clean furniture with harsh cleansers or polish.
 - ⊘  ● Do not place furniture under direct sunlight.
 - ⊘  ● Do not place furniture near heating or cooling vents.
 - ⊘  ● Do not write on furniture without a padded barrier to protect the surface.
 - ⊘  ● Do not place furniture outside . For indoor use only.
 - ⊘  ● Not for commercial use. For residential use only.
 - ⊘  ● Stains may be removed with mild soap solution and damp cloth.
 - ⊘  ● Children should not climb or jump on the furniture.
-
- ✓  ● Dust and pick-up spills using a clean, non-colored, lint-free cloth.