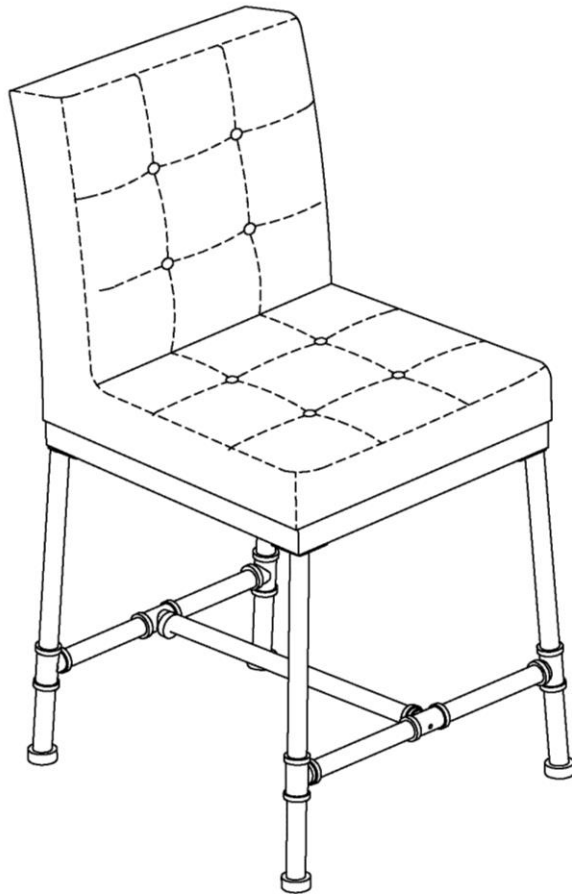


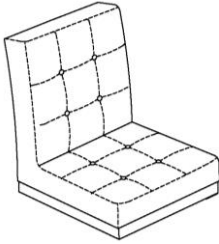
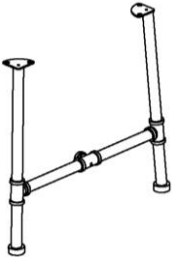
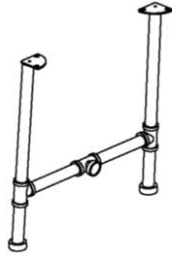
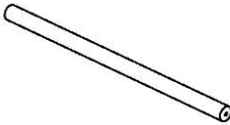
Assembly Instructions

Caution: You must read this before you proceed

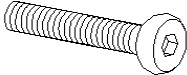
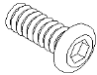
Stool




Part List

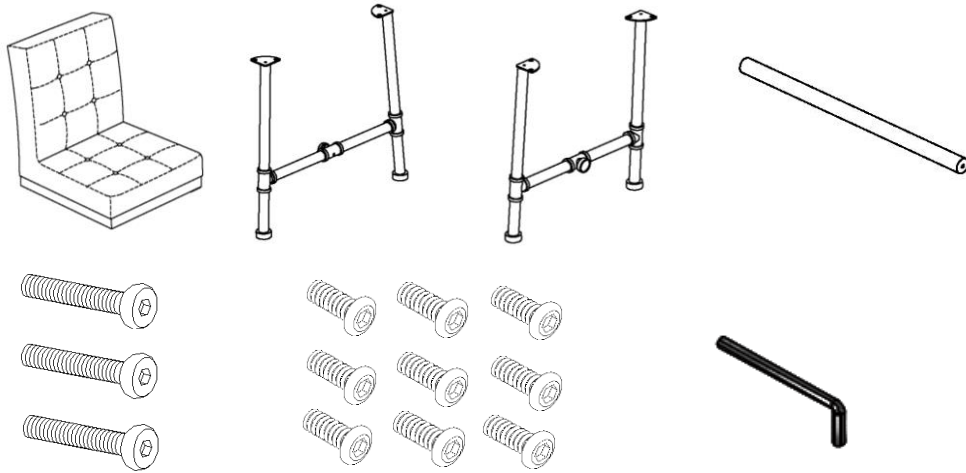
Label	Picture	Description	QTY
A		Seat	1
B		Front Leg (with Pre-attached Leveller)	1
C		Back Leg (with Pre-attached Leveller)	1
D		Connecting Rod	1

Hardware

Label	Picture	Description	QTY
①		Bolt (M6*45mm)	3
②		Bolt (M6*16mm)	9

③		Allen Key	1
<u>Assembly Preparation</u>			

Before Beginning Assembly:



• Read instructions, cover to cover-



• Have 2 adults on hand for assembly-



• Do not assemble on flooring or carpet-



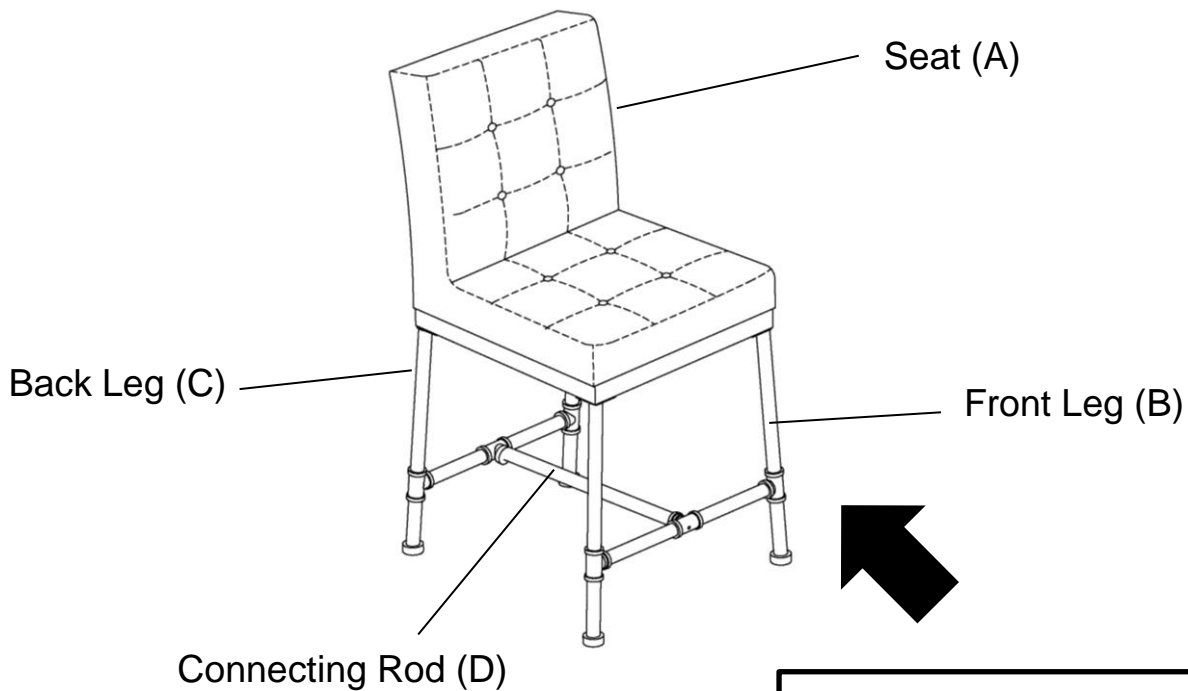
• Assemble on a clean non-marring surface (packing foam)-



• Save all packaging until finished-

Assembly Steps

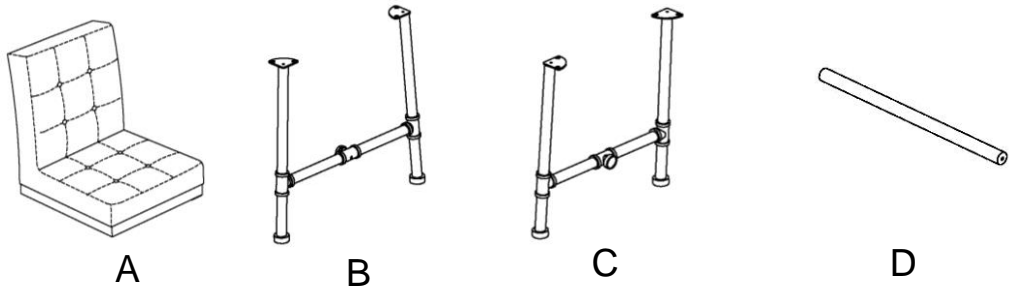
Overview



FRONT FACING

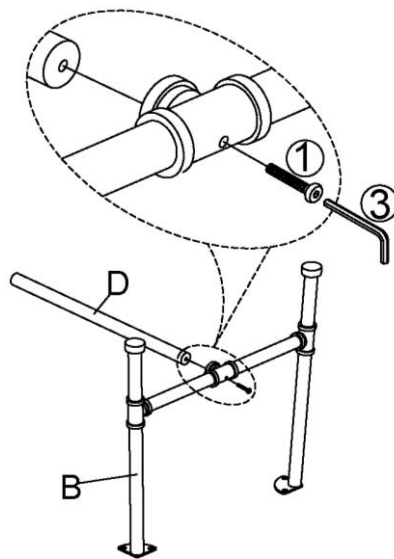
This Stool has multiple parts and may require up to 30 minutes to assemble. To give you an overview of the Stool, the above picture is to help you put the various parts into perspective. Please read through the instructions below to familiarise yourself with the parts and steps before assembly.

Step 1



Place the Seat(A), Front Leg(B), Back Leg(C) and Connecting Rod(D) onto a clean, non-marring surface.

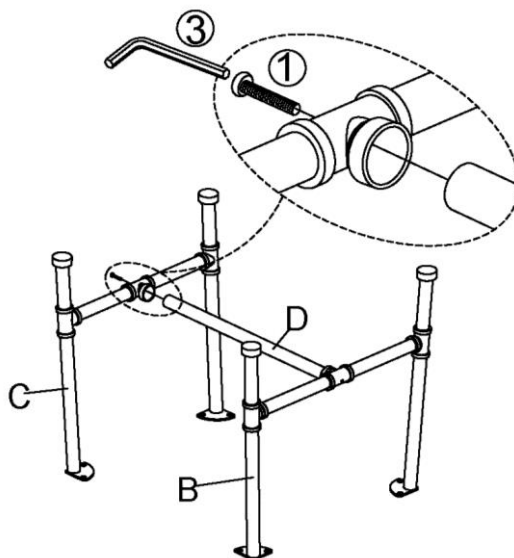
Step 2



Attach Connecting Rod(D) to Front Leg(B) using Bolt(①) with Allen Key(③) as shown above.

Tighten the Bolt fully.

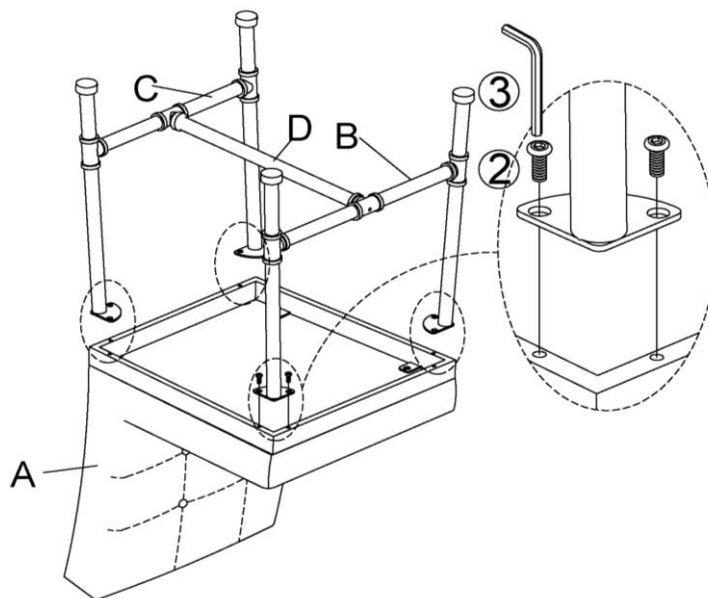
Step 3



Attach Connecting Rod(D) to Back Leg(C) using Bolt(①) with Allen Key(③) as shown above.

Tighten the Bolt fully.

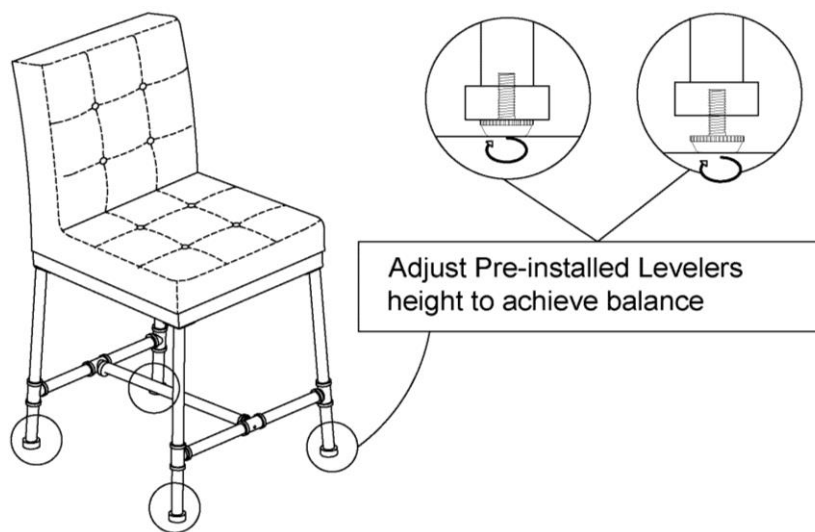
Step 4



Attach Front leg(B), and Back Leg(C) to Seat(A) using Bolts(②) with Allen Key(③) as shown above.

Tighten the Bolt fully.

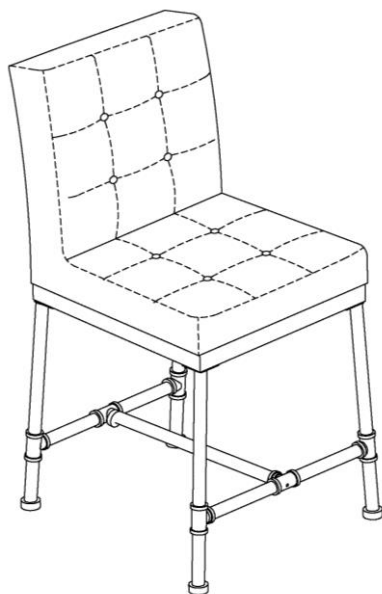
Step 5



Stand the Stool up.

Adjust the Pre-installed Levellers at the bottom of the Front Leg(B) and Back Leg(C) until the Stool is level with the ground.

Step 6



Your Stool is ready for use.

This Stool can only be used on a flat, level surface.

Care & Maintenance



- Do not put hot items directly on furniture surface



- Do not clean furniture with harsh cleansers or polish.



- Do not place furniture under direct sunlight.



- Do not place furniture near heating or cooling vents.



- Do not write on furniture without a padded barrier to protect the surface.



- Do not place furniture outside . For indoor use only .



- Not for commercial use. For residential use only .



- Stains may be removed with mild soap solution and damp cloth.



- Children should not climb or jump on the furniture.



- Dust and pick-up spills using a clean, non-colored, lint-free cloth .