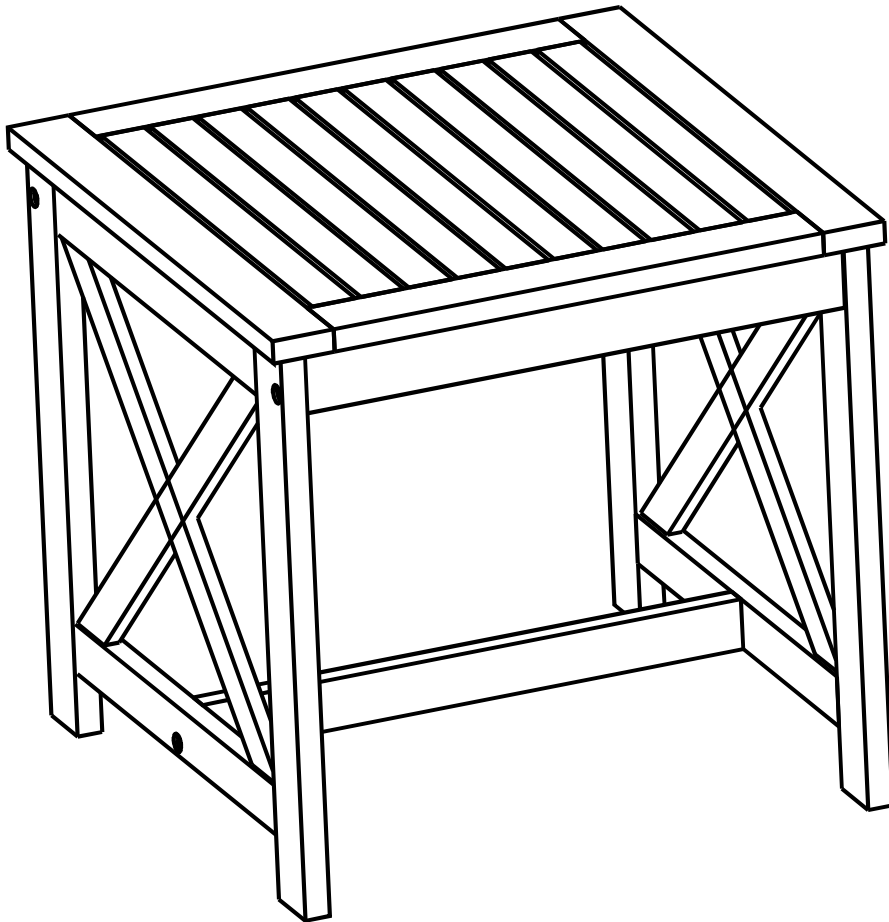


# Assembly Instructions

**Caution: You must read this before you proceed**

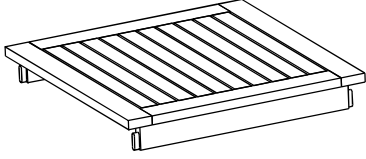
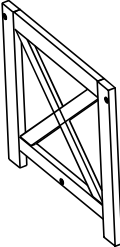
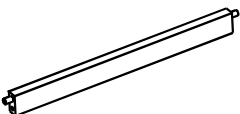
**Please look underneath of the table top for hardware**

## Table

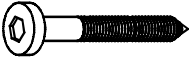



**Caution:** This Table is NOT a TOY. Keep your child / children at bay during the assembly process. For moving the Table and to prevent damage to the Table, two adults are needed to execute this action.

# Parts List

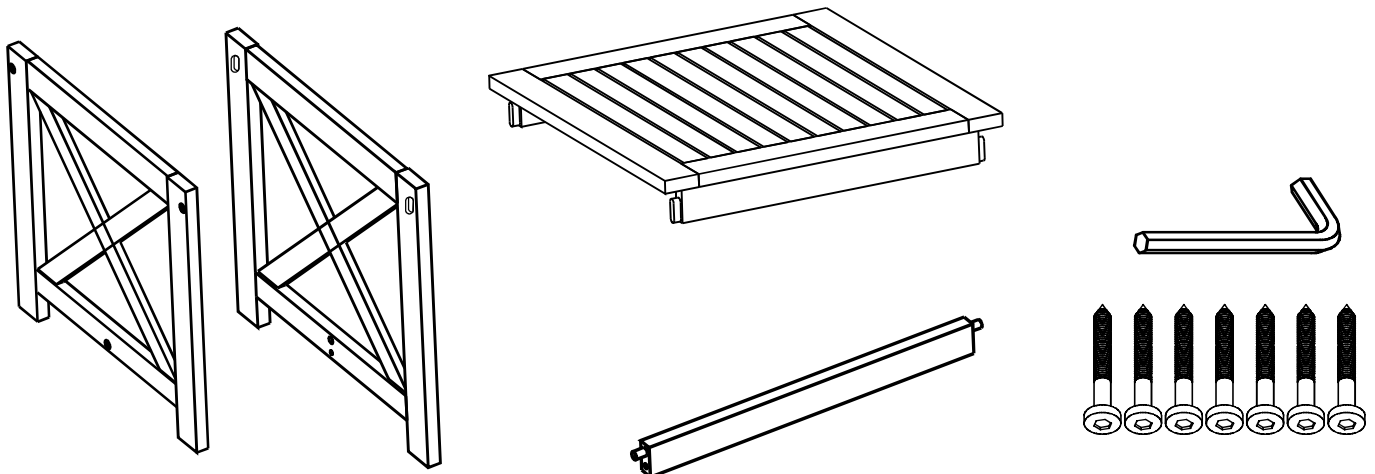
Label	Picture	Description	QTY
A		Table Top	1
B		Leg Panel	2
C		Leg Support Bar	1

# Hardware

Label	Picture	Description	QTY
①		Screw (M6x50mm)	7
②		Allen Wrench	1

# Assembly Preparation

Before Beginning Assembly:



- Read instructions, cover to cover-



- Have 2 adults on hand for assembly-



- Do not assemble on flooring or carpet-



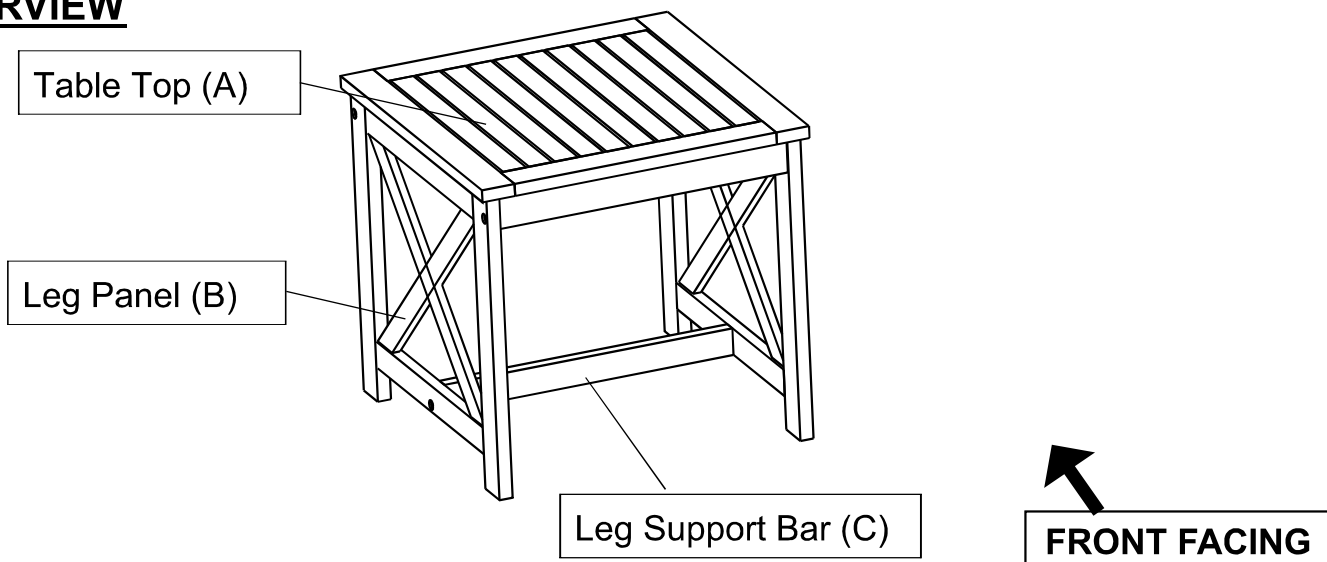
- Assemble on a clean non-marring surface (packing foam)-



- Save all packaging until finished-

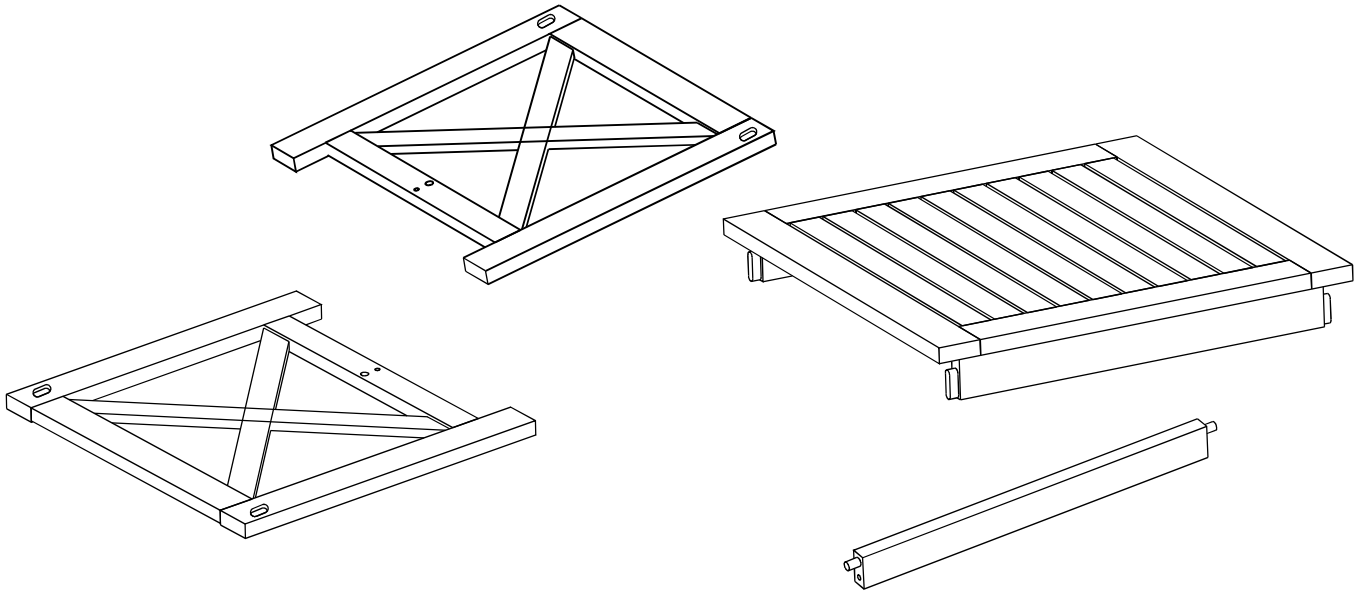
Before Beginning Assembly:

## OVERVIEW



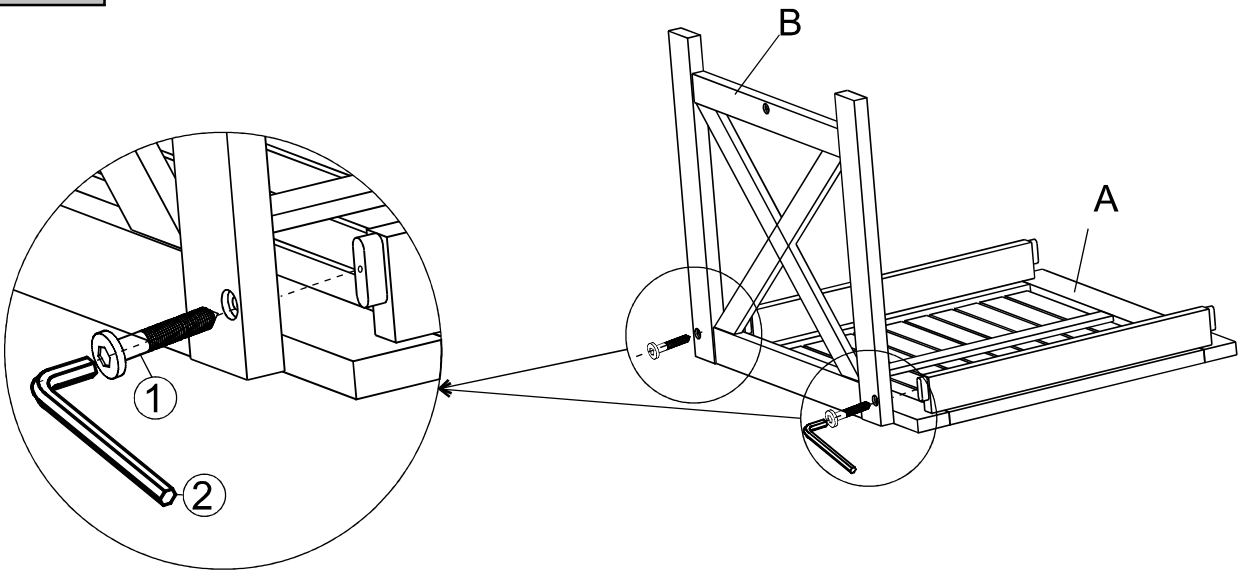
This Table has multiple parts and may require up to 30 minutes to assemble. To give you an overview of the Table parts, the above picture is to help you put the various parts into perspective. Please read through the instructions below to familiarise yourself with the parts and steps before assembly.

## Step 1



Unpack and place all parts on a clean, non-marring surface.

## Step 2



Place Table Top (A) with its underside facing skywards onto a clean, soft surface to avoid any scratch or damage to the product.

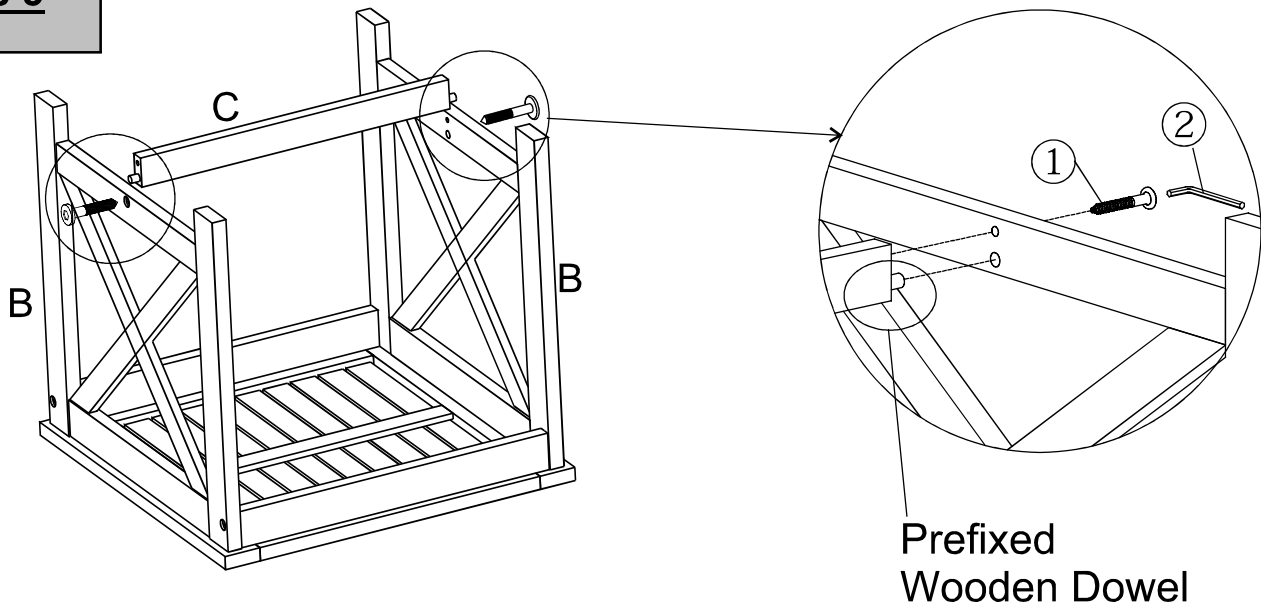
Attach Leg Panel (B) to the Table Top (A) as pictured above.

Secure Leg Panel (B) to the Table Top (A) using Screw (①) and Allen Wrench (②).

**Do not fully tighten the Screws.**

Repeat the same process with the other Leg.

### Step 3

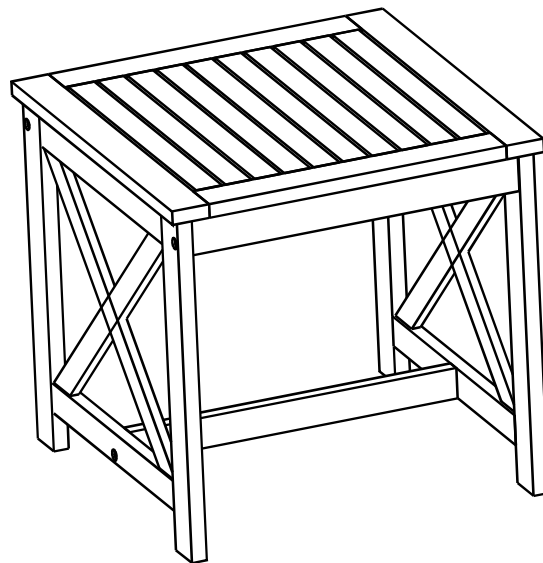


Attach Prefixed Wooden Dowel of Leg Support Bar (C) to Leg Frames (B) as pictured above.

Secure Leg Support Bar (C) to Leg Frames (B) by Screw (①) and Allen Wrench (②)

**Do not fully tighten the Screws.**

### Step 4



Turn the Table right side up.

Exert pressure floorwards, onto the Table with both your hands.

This pressure will help the Legs and Table Top reach full alignment status. Check for wobbles on a LEVEL surface.

If no wobbles are found proceed to tighten the Screws in a sequential manner, until evenly secured.

**When tightening the Screws tighten sequentially.**



**Do not tighten any Screw fully and then move on towards the next one.**


**If there are still wobbles, loosen the Screws and execute the same above process.**

Your Table is ready for use.

**This Table can only be used on the flat, level surface.**

## Care & Maintenance

-  ● Do not put hot items directly on furniture surface
-  ● Do not clean furniture with harsh cleansers or polish.
-  ● To obtain the longest lifespan of your outdoor products, minimizing exposure to direct sunlight is recommended.
-  ● Children should not climb or jump on the furniture.
-  ● Do not write on furniture without a padded barrier to protect the surface.
-  ● To obtain the longest lifespan of your outdoor products, avoid extended and lengthy exposure to rain, snow, and direct sunshine. Whenever possible cover the product and /or place under patio or awnings.
-  ● Not for commercial use. For residential use only .
-  ● Stains may be removed with mild soap solution and damp cloth.

-  ● Dust and pick-up spills using a clean, non-colored, lint-free cloth .