

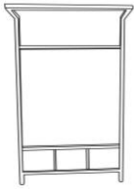
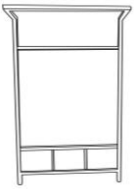
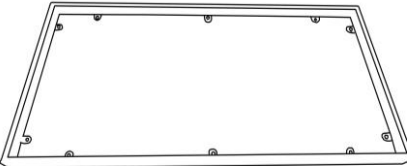
# Assembly Instructions

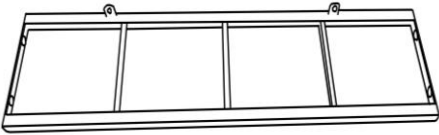




**Caution: You must read this before you proceed**

## Bar Cart


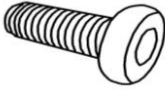
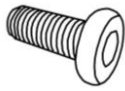
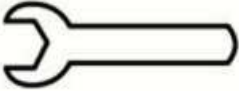



### Parts List

Label	Picture	Description	QTY
A		Left Frame	1
B		Right Frame	1
C		Top Shelf Frame	1

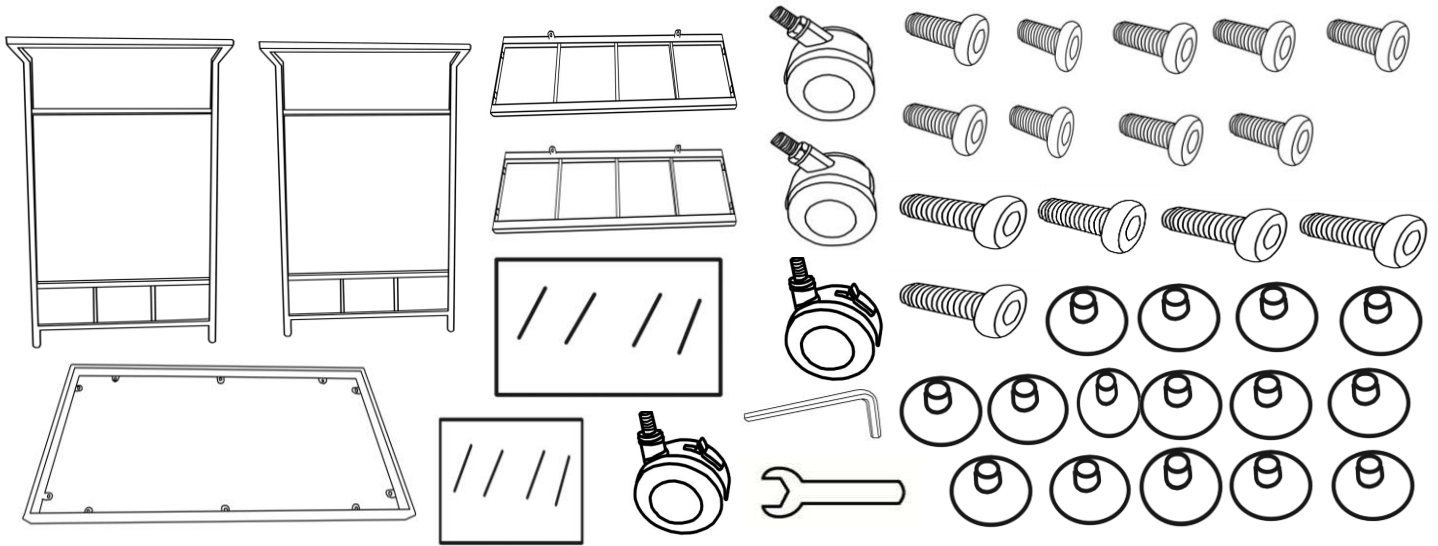
D		Bottom Frame	2
E		Top Glass	1
F		Bottom Glass	1
G		Wheel	2
H		Wheel with Brake	2

## Hardware

Label	Picture	Description	QTY
①		Allen Key	1
②		Bolt (M6*25MM)	5
③		Bolt (M6*15MM)	9
④		Spanner	1
⑤		Glass Suction Cup	15

# Assembly Preparation

Before Beginning Assembly:



- Read instructions, cover to cover-



- Have 2 adults on hand for assembly-



- Do not assemble on flooring or carpet-



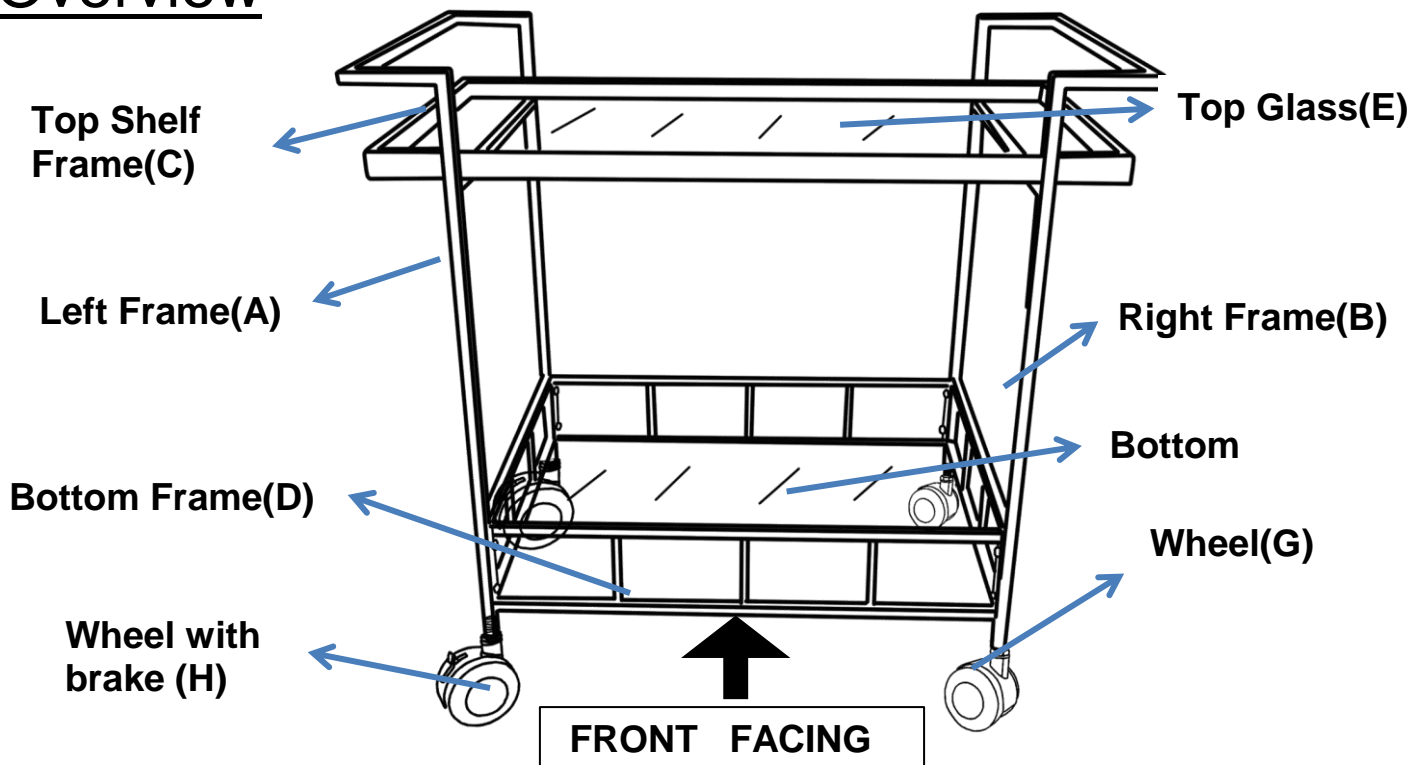
- Assemble on a clean non-marring surface (packing foam)-



- Save all packaging until finished-

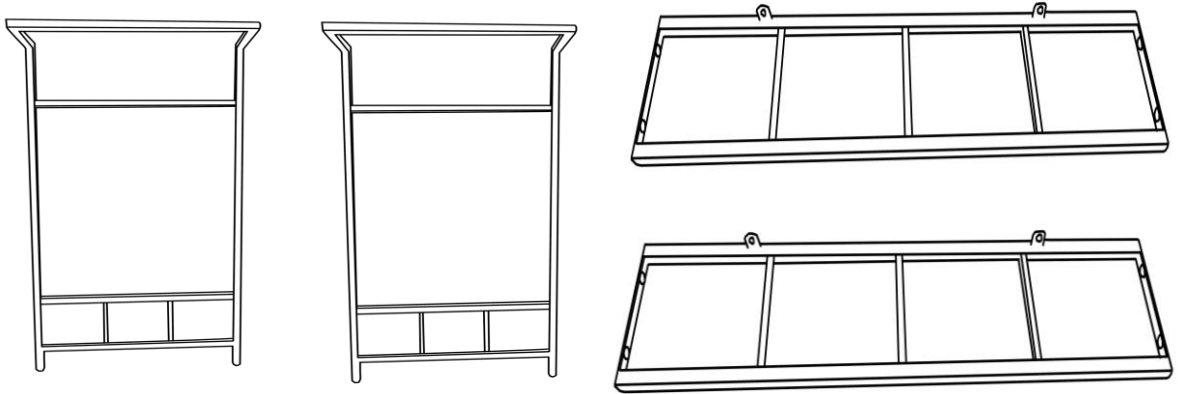
# Assembly Steps

## Overview



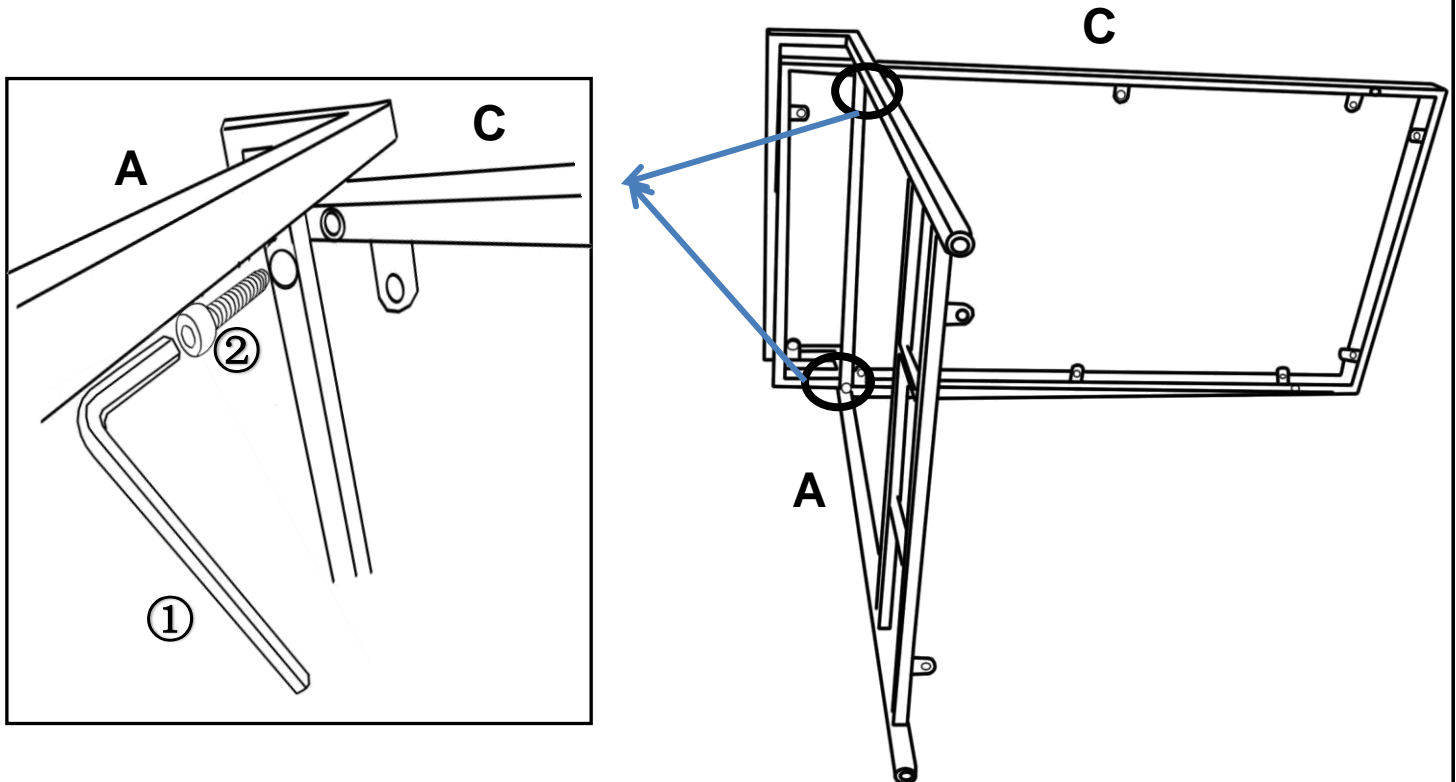
This Bar Cart has multiple parts and may require up to 30 minutes to assemble. To give you an overview of the Bar Cart parts, the above picture is to help you put the various parts into perspective. Please read through the instructions below to familiarise yourself with the parts and steps before assembly.

## Step 1



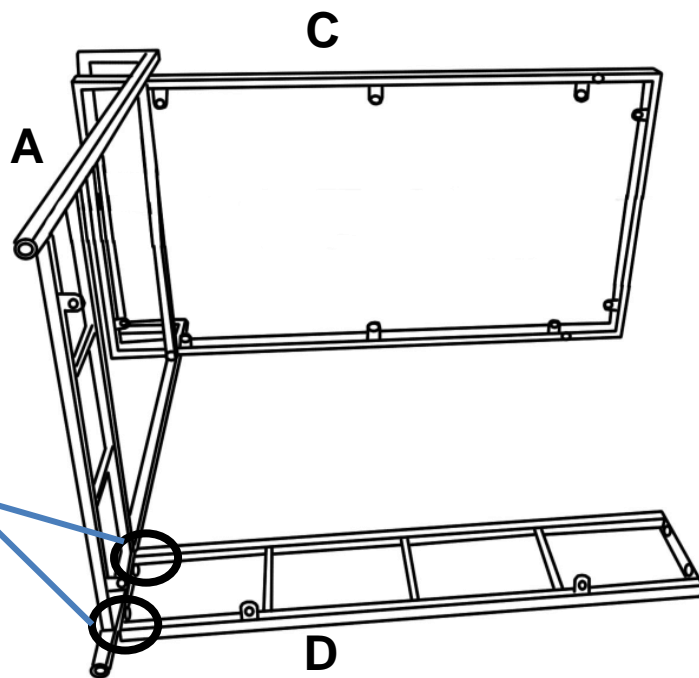
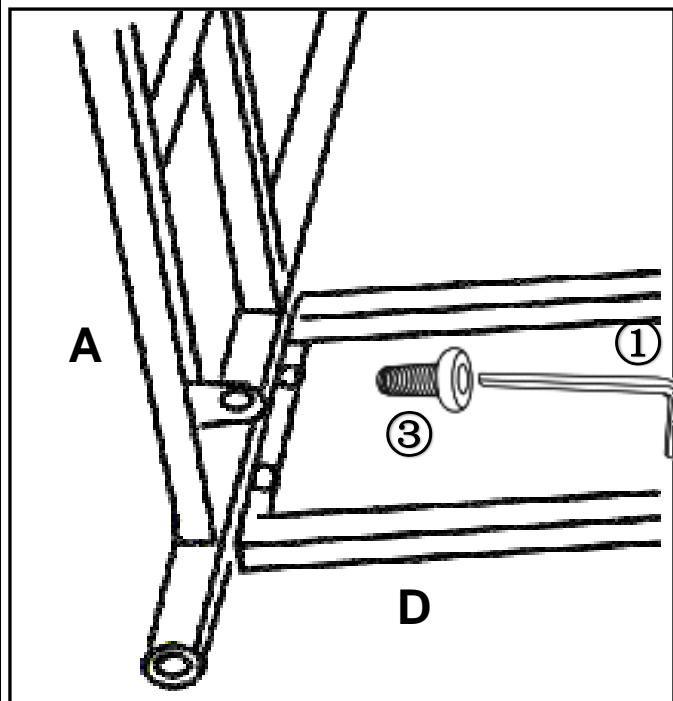
Unpack all parts and place on a clean, non-marring surface.

## Step 2



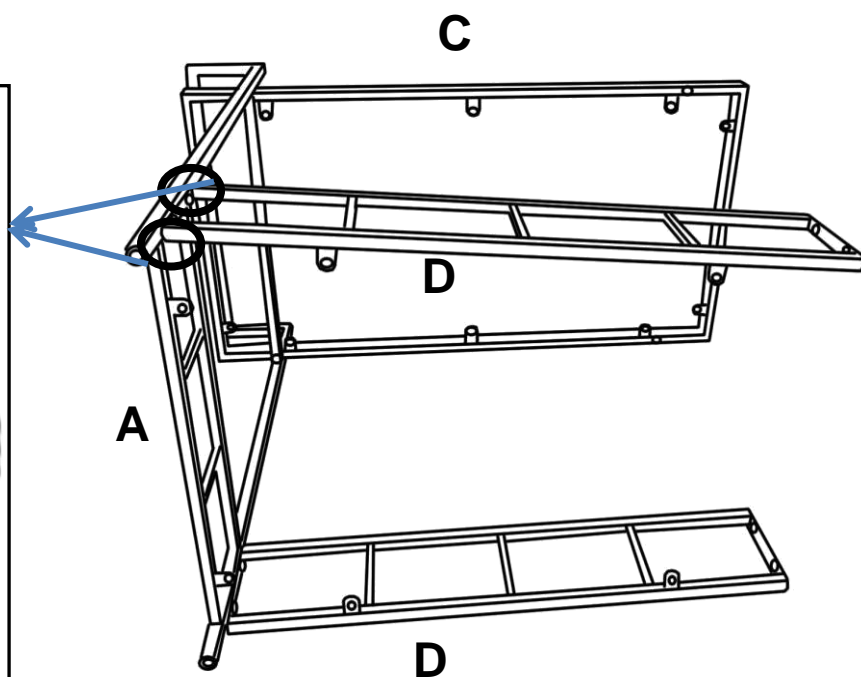
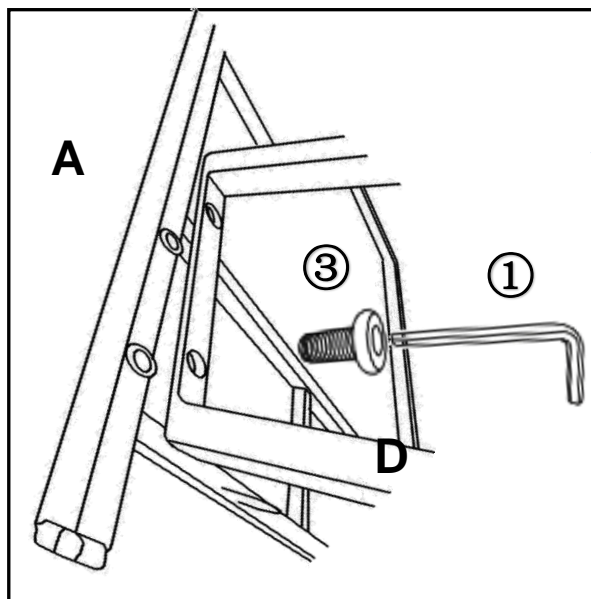
Attach Top Shelf Frame(C) to Left Frame(A) using Bolts(2) with Allen Key(1).  
**Do not fully tighten the Bolts.**

### Step 3



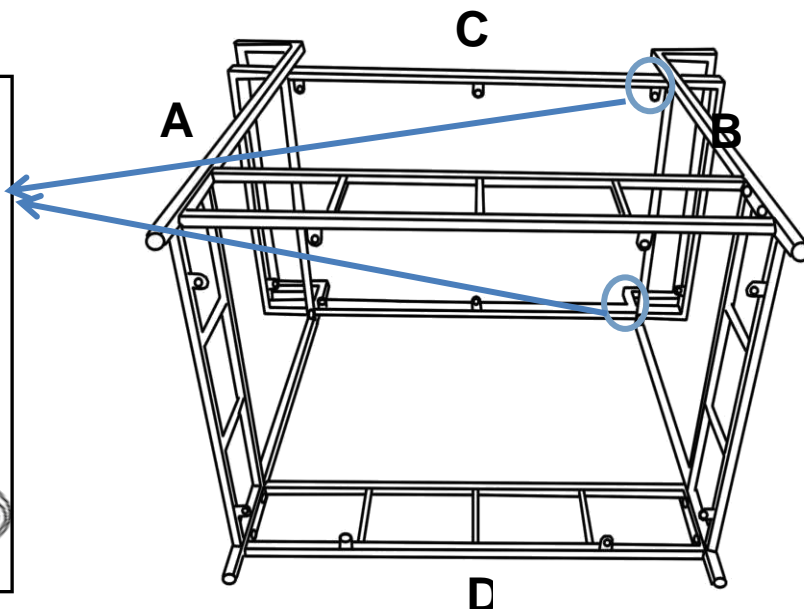
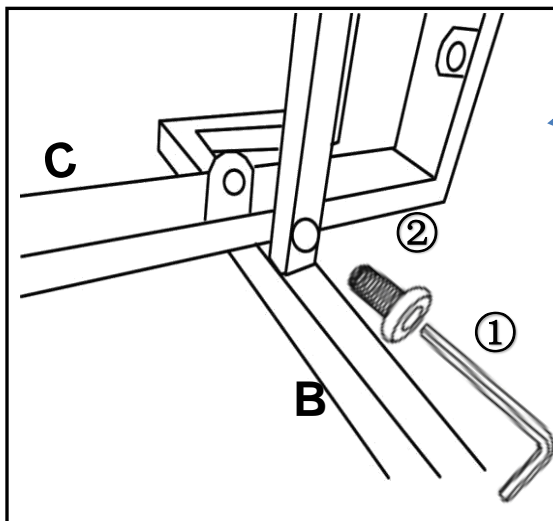
Attach Bottom Frame(D) to Left Frame(A) using Bolts(3) with Allen Key(1).  
**Do not fully tighten the Bolts.**

### Step 4



Attach Bottom Frame(D) to Left Frame(A) using Bolts(3) with Allen Key(1).  
**Do not fully tighten the Bolts.**

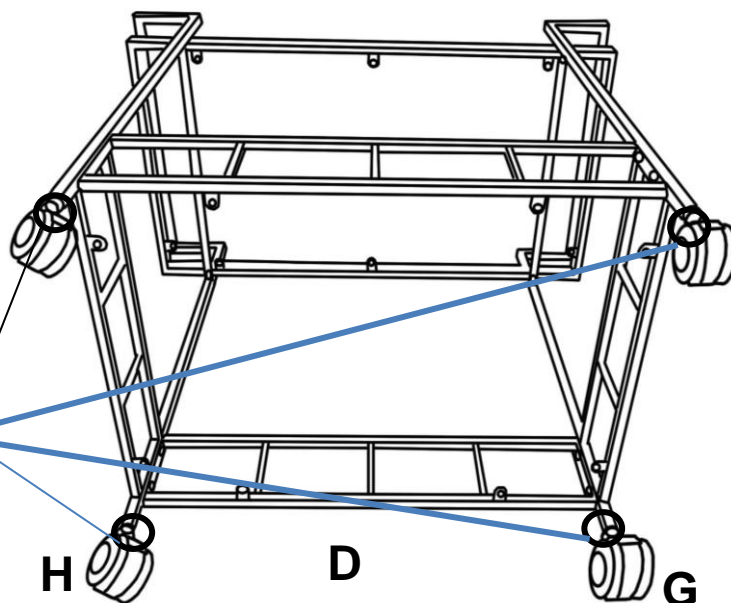
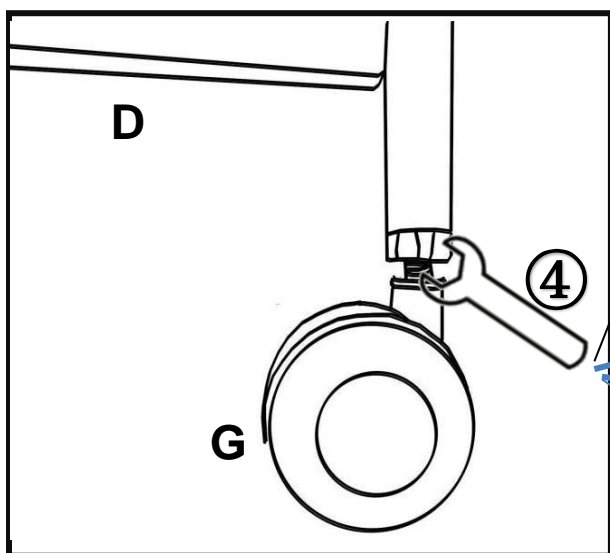
## Step 5



Repeat **Steps 2 - 4** to assemble Right Frame(B).

**Do not fully tighten the Bolts.**

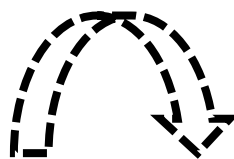
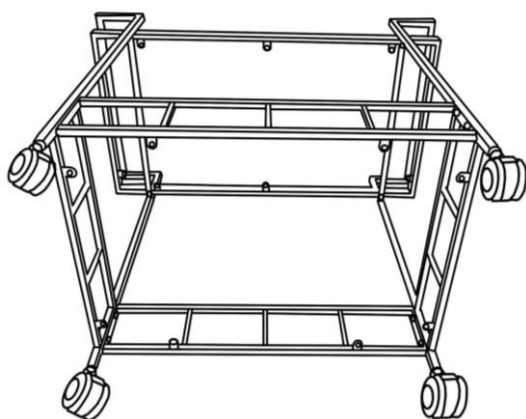
## Step 6



Attach Wheels with Brakes(H) to Left Frame(A) using Spanner(4).

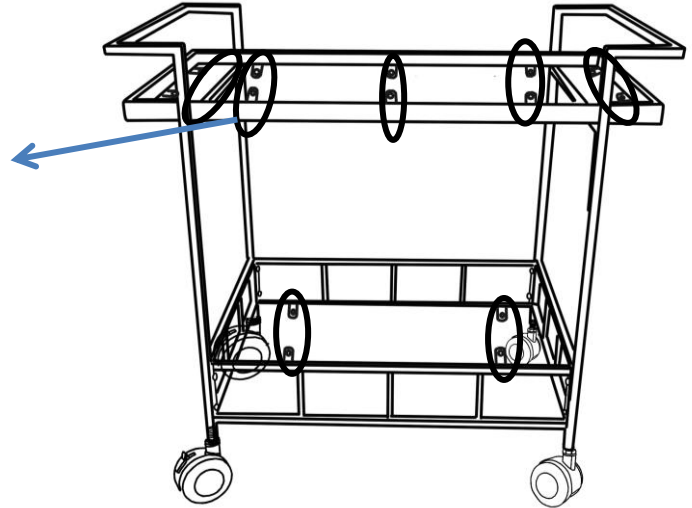
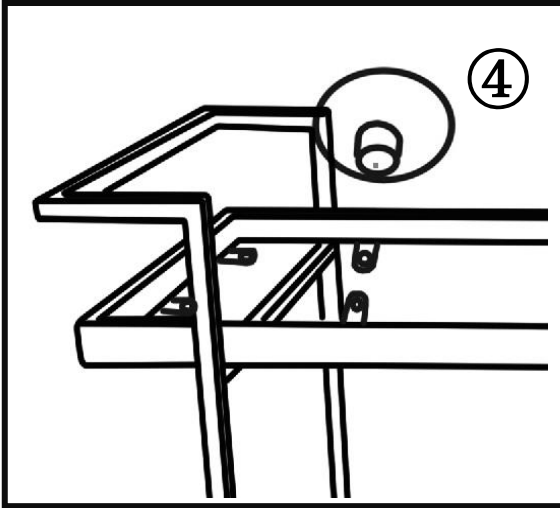
Attach Wheels(G) to Right Frame(B) using Spanner(4).

## Step 7



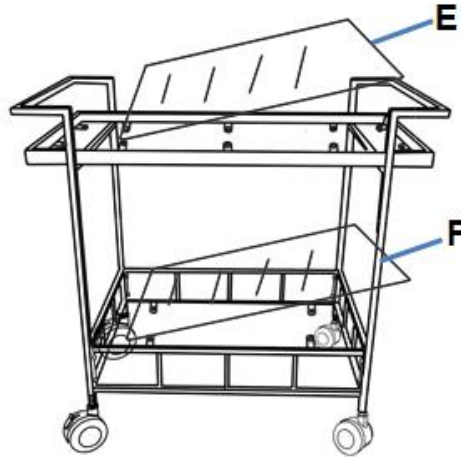
Stand the Bar Cart up, as shown.

## Step 8



Attach Glass Suction Cups(④) to Top Shelf Frame(C) and Bottom Frames(D), as shown.

## Step 9



Carefully, insert Top Glass(E) into Top Shelf Frame(C) and Bottom Glass(F) into and Bottom Frame(D).

**Gently press down on the Glass Shelves after you put them into the frame.**

**Please pressure down on each corner to adjust the gap between glass and frame. Then, Tighten all bolts at all joints fully in a sequential manner.**





## Step 10



Your Bar Cart is ready for use.

**This Bar Cart can only be used on a flat, level surface.**

## Care & Maintenance

- ⊘  • Do not put hot items directly on furniture surface.
  - ⊘  • Do not clean furniture with harsh cleansers or polish.
  - ✓  • To obtain the longest lifespan of your outdoor products, minimizing exposure to direct sunlight is recommended.
  - ⊘  • Children should not climb or jump on the furniture.
  - ⊘  • Do not write on furniture without a padded barrier to protect the surface.
  - ✓  • To obtain the longest lifespan of your outdoor products, avoid extended and lengthy exposure to rain, snow, and direct sunshine. Whenever possible cover the product and /or place under patio or awnings.
  - ⊘  • Not for commercial use. For residential use only .
  - ⊘  • Stains may be removed with mild soap solution and damp cloth.
- 
- ✓  • Dust and pick-up spills using a clean, non-colored, lint-free cloth .