

WARNING!!

Furniture Tipping Risk.

Serious risk of severe or fatal crush injuries can occur from furniture tipping over if not secured.

Children like to climb on furniture and Unsecured furniture can pose a serious danger.

Please follow all instructions and install the tip-over restraints provided.

In addition to installing the restraints, to help prevent tip-over:

- 1. Unless specifically designed to accommodate, do not set TV's or other heavy objects on top of this product.**
- 2. Never allow children to climb or hang on top glass.**
- 3. Do not step on the Table base.**

Assembly Instructions

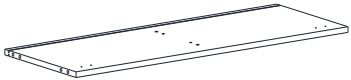
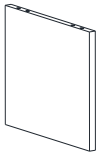
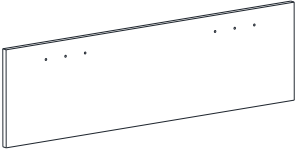
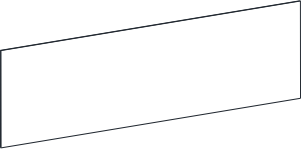
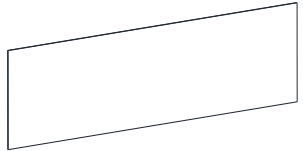
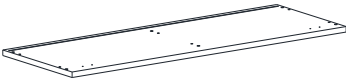
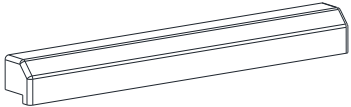
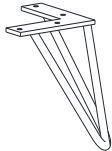

Caution : You must read this before you proceed

WINE CABINET







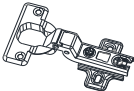

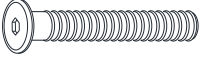


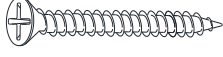


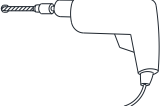


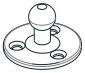
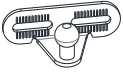

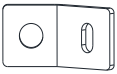
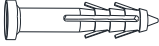

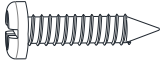

Parts List

Label	Picture	Description	QTY
A		Storage Box	1
B		Top Panel	1
C		Left Side Panel	1
D		Right Side Panel	1
E		Top Center Panel	1

F		Middle Panel	1
G		Bottom Center Panel	1
H		Door Panel	2
I		Top Back Panel	1
J		Bottom Back Panel	1
K		Bottom Panel	1
L		Handle	4
M		Leg	4
N		Middle Leg	1

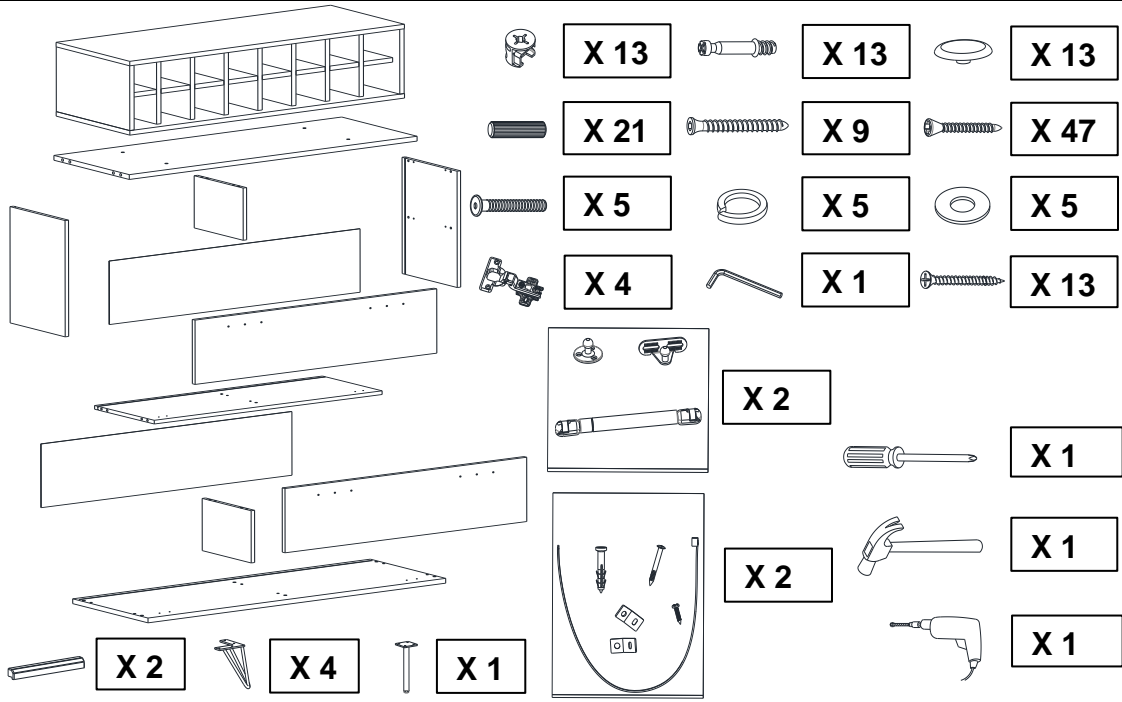
Hardware

Label	Picture	Description	QTY
①		Cam Lock	13
②		Cam Bolt	13
③		Cam Cap	13
④		Positioning Dowel (8*30mm)	21
⑤		Cap Wood Screw (6*50mm)	9
⑥		Screw (3.5*16mm)	47
⑦		Connector	4
⑧		Allen Key	1
⑨		Screw (M6*30mm)	5
⑩		Spring Washer	5
⑪		Washer	5
⑫		Screw (M4*32mm)	13
⑬		Screwdriver (not provided)	1
⑭		Hammer (not provided)	1
⑮		Power Drill (not provided)	1

10" Air Press Pull Rod			
①6		Ball Connector	2
①7		Ball Connector Bracket	2
①8		Shock Absorber	2
Cabinet Restraint Device Hardware			
①9		Metal Bracket	4
②0		Wall Plug	2
②1		Wall Plug Screw	2
②2		Pan Head Screw	2
②3		Cabinet Restraint Strap	2

Assembly Preparation

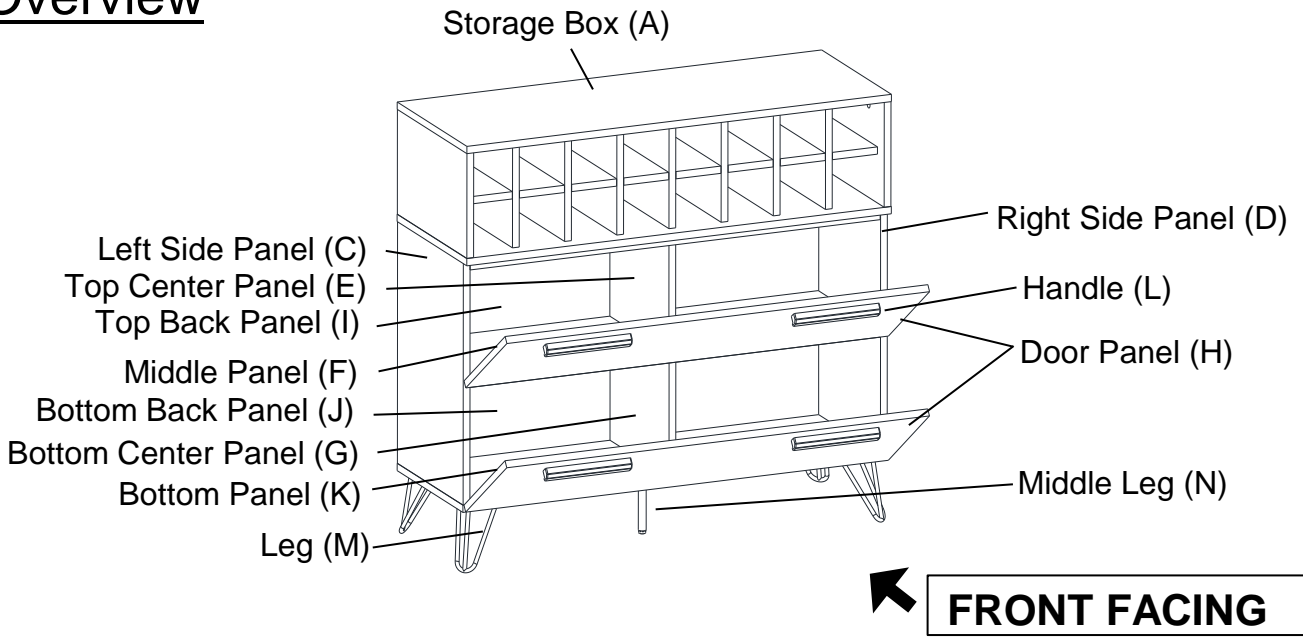
Before Beginning Assembly:



- Read instructions, cover to cover-
- Have 2 adults on hand for assembly-
- Do not assemble on flooring or carpet-
- Assemble on a clean non-marring surface (packing foam)-
- Save all packaging until finished-

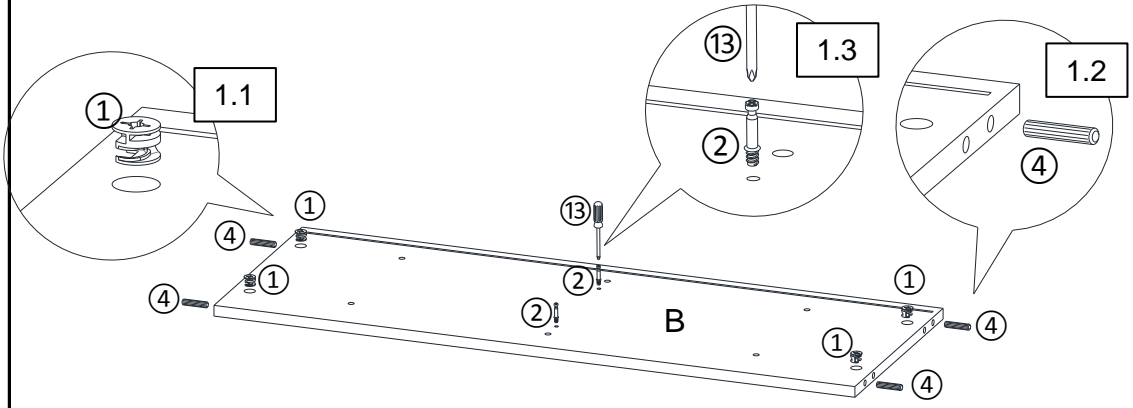
Assembly Steps

Overview



This Wine Cabinet has multiple parts and may require up to 60 minutes to assemble. To give you an overview of the Wine Cabinet parts, the above picture is to help you put the various parts into perspective. Please read through the instructions below to familiarise yourself with the parts and steps before assembly.

Step 1



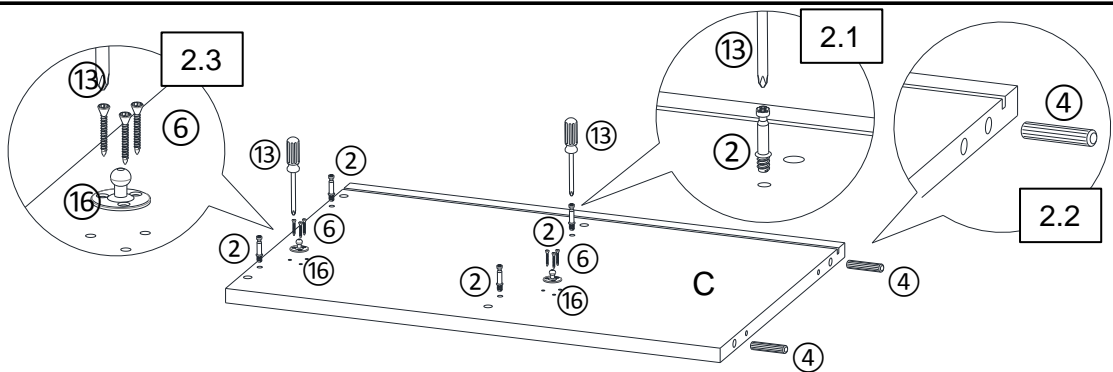
Unpack and place all parts on a clean, non-marring surface.

1.1) Insert Cam Locks(①) into mounting positions on Top Panel(B) by hand.

1.2) Insert Positioning Dowels(④) into mounting positions on Top Panel(B) by hand.

1.3) Attach Cam Bolts(②) to mounting positions on Top Panel(B) with Screwdriver(⑬).

Step 2

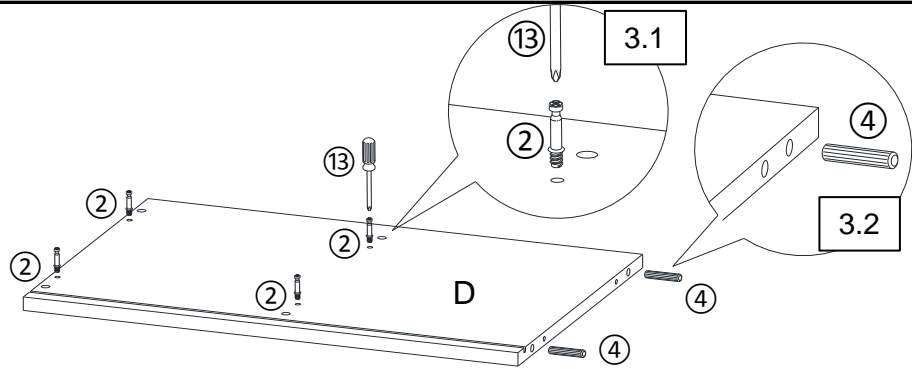


2.1) Attach Cam Bolts(②) to mounting positions on Left Side Panel(C) with Screwdriver(⑬).

2.2) Insert Positioning Dowels(④) into mounting positions on Left Side Panel(C) by hand.

2.3) Attach Ball Connectors(⑯) to mounting positions on Left Side Panel(C) using Screws(⑥) with Screwdriver(⑬).

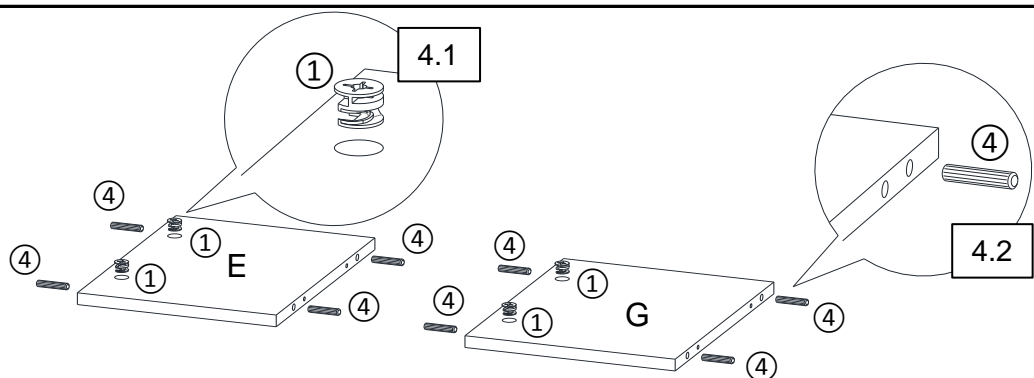
Step 3



3.1) Attach Cam Bolts(②) to mounting positions on Right Side Panel(D) with Screwdriver(⑬).

3.2) Insert Positioning Dowels(④) into mounting positions on Right Side Panel(D) by hand.

Step 4

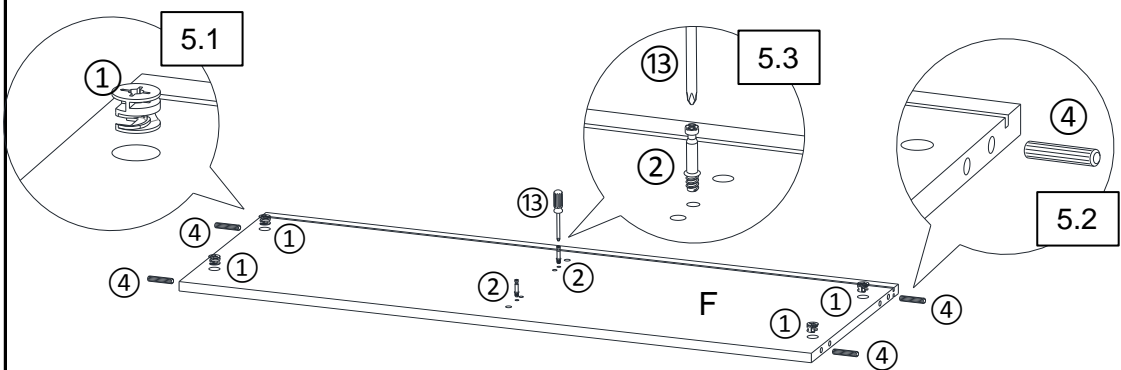


4.1) Insert Cam Locks(①) into mounting positions on Top Center Panel(E) by hand.

4.2) Insert Positioning Dowels(④) into mounting positions on Top Center Panel(E) by hand.

4.3) Repeat the same assembly process on the Bottom Center Panel(G).

Step 5

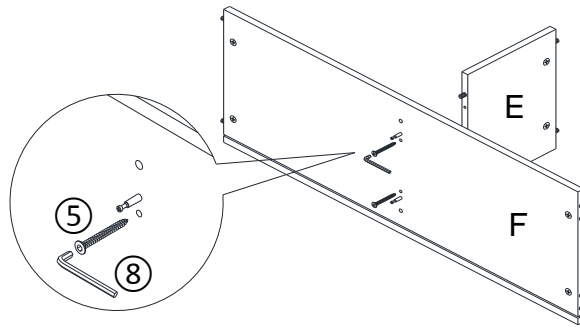


5.1) Insert Cam Locks(①) into mounting positions on Middle Panel(F) by hand.

5.2) Insert Positioning Dowels(④) into mounting positions on Middle Panel(F) by hand.

5.3) Attach Cam Bolts(②) to mounting positions on Middle Panel(F) with Screwdriver(⑬).

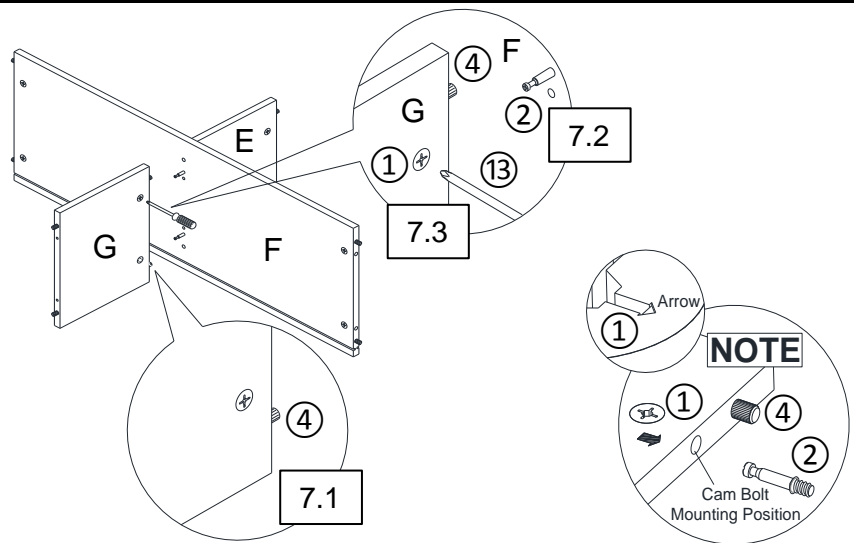
Step 6



Attach Top Center Panel(E) to Middle Panel(F) using Cap Wood Screws(5) with Allen Key(8).

Tighten the Cap Wood Screws fully in a sequential manner.

Step 7



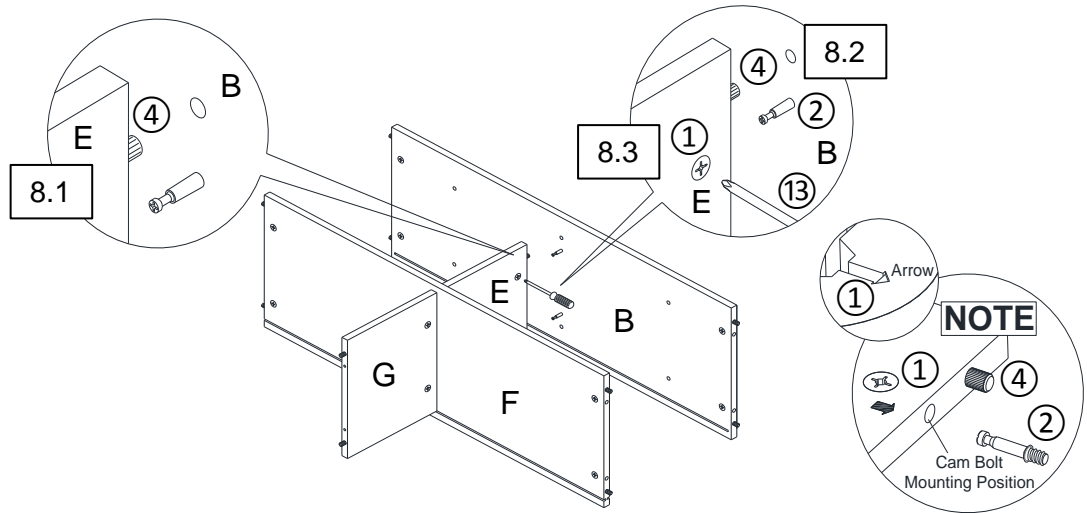
7.1) Insert Positioning Dowels(4) from Bottom Center Panel(G) into mounting positions on Middle Panel(F).

Note: Ensure the arrows on Cam Lock heads point towards the Cam Bolt mounting positions.

7.2) Insert the Cam Bolts(2) on Middle Panel(F) into mounting positions on Bottom Center Panel(G).

7.3) Turn the Cam Locks(1) clockwise with the Screwdriver(13) until they all lock into place.

Step 8



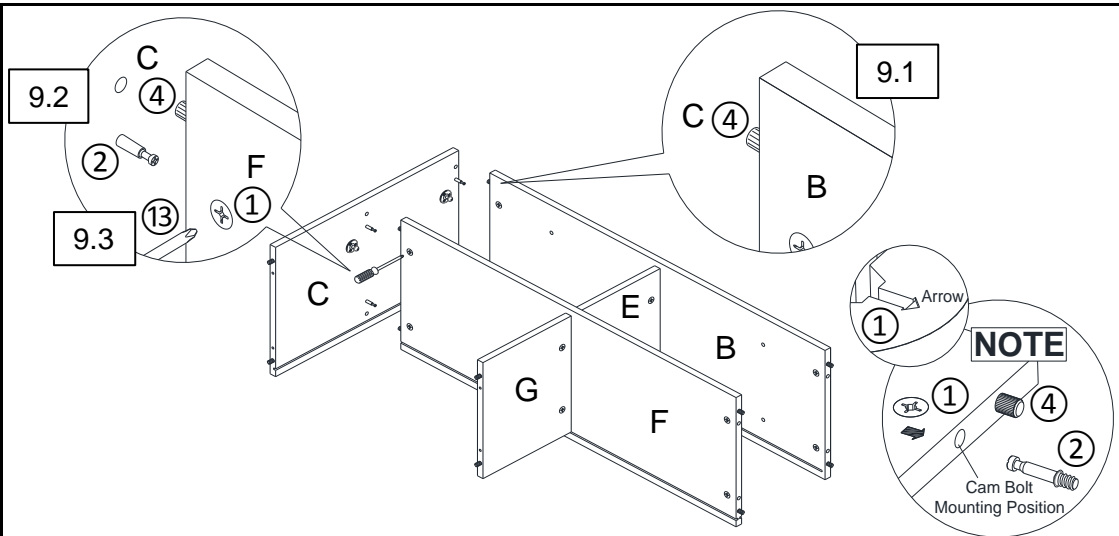
8.1) Insert Positioning Dowels(④) from Top Center Panel(E) into mounting positions on Top Panel(B).

Note: Ensure the arrows on Cam Lock heads point towards the Cam Bolt mounting positions.

8.2) Insert the Cam Bolts(②) on Top Panel(B) into mounting positions on Top Center Panel(E).

8.3) Turn the Cam Locks(①) clockwise with the Screwdriver(⑬) until they all lock into place.

Step 9



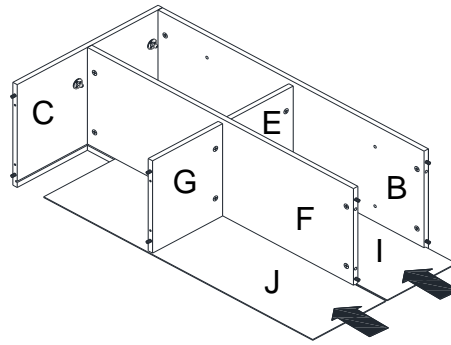
9.1) Insert Positioning Dowels(④) from Top Panel(B) and Middle Panel(F) into mounting positions on Left Side Panel(C).

Note: Ensure the arrows on Cam Lock heads point towards the Cam Bolt mounting positions.

9.2) Insert the Cam Bolts(②) on Left Side Panel(C) into mounting positions on Top Panel(B) and Middle Panel(F).

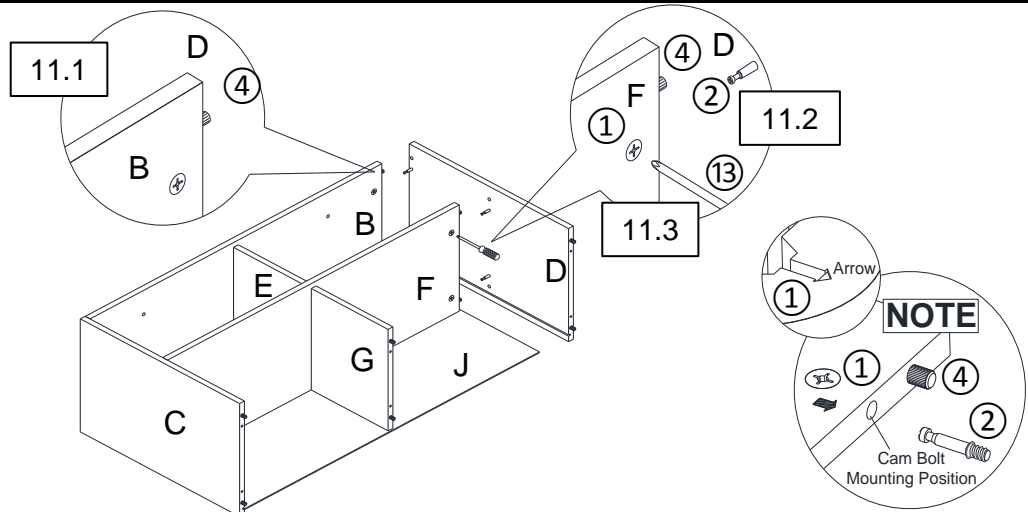
9.3) Turn the Cam Locks(①) clockwise with the Screwdriver(⑬) until they all lock into place.

Step 10



Insert the Top Back Panel(I) and Bottom Back Panel(J) along the slots.

Step 11



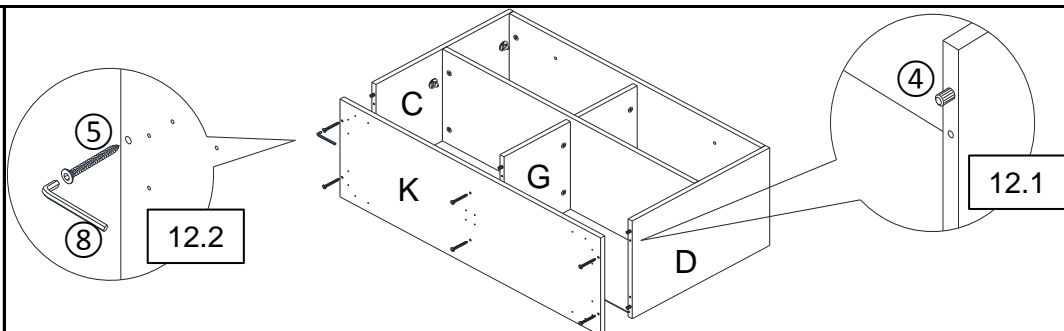
11.1) Insert Positioning Dowels(④) from Top Panel(B) and Middle Panel(F) into mounting positions on Right Side Panel(D).

Note: Ensure the arrows on Cam Lock heads point towards the Cam Bolt mounting positions.

11.2) Insert the Cam Bolts(②) on Right Side Panel(D) into mounting position on side of Top Panel(B) and Middle Panel(F).

11.3) Turn the Cam Locks(①) clockwise with the Screwdriver(⑬) until they all lock into place.

Step 12

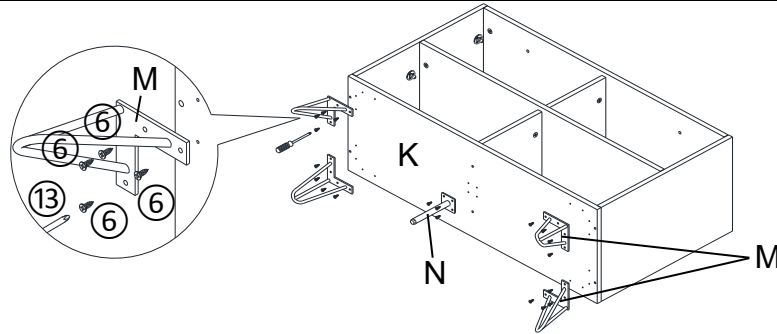


12.1) Insert Positioning Dowels(④) from Left Side Panel(C), Right Side Panel(D) and Bottom Center Panel(G) into mounting positions on Bottom Panel(K).

12.2) Attach Bottom Panel(K) to Cabinet Assembly using Cap Wood Screws(⑤) with Allen Key(⑧).

Tighten the Cap Wood Screws fully in a sequential manner.

Step 13



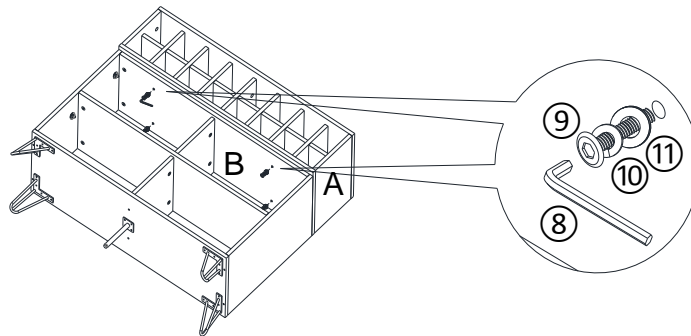
Attach Legs(M) and Middle Leg(N) to Bottom Panel(K) using Screws(⑥) with Screwdriver(⑬).

Tighten the Screws fully in a sequential manner.

Caution: Leg(M) should be facing outwards. Misassembly and reassembly may cause damage and instability to the product.

Note: There are pre-existing mounting positions on the Bottom Panel to attach the Legs and Middle Leg.

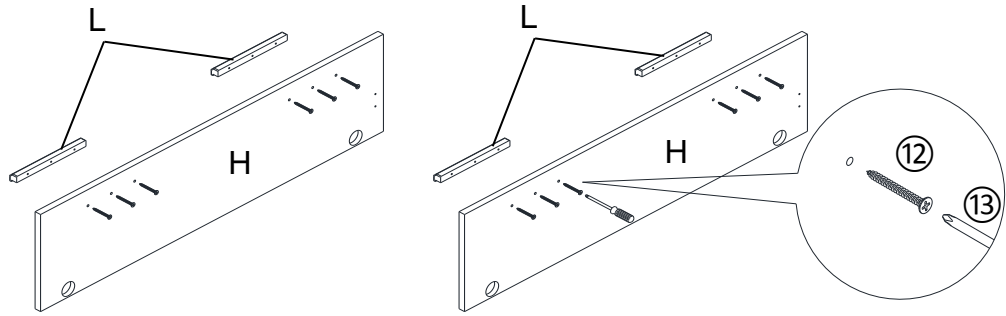
Step 14



Attach Storage Box(A) to Top Panel(B) using Screws(⑨), Spring Washers(⑩) and Washers(⑪) with Allen Key(⑧).

Tighten the Screws fully in a sequential manner.

Step 15

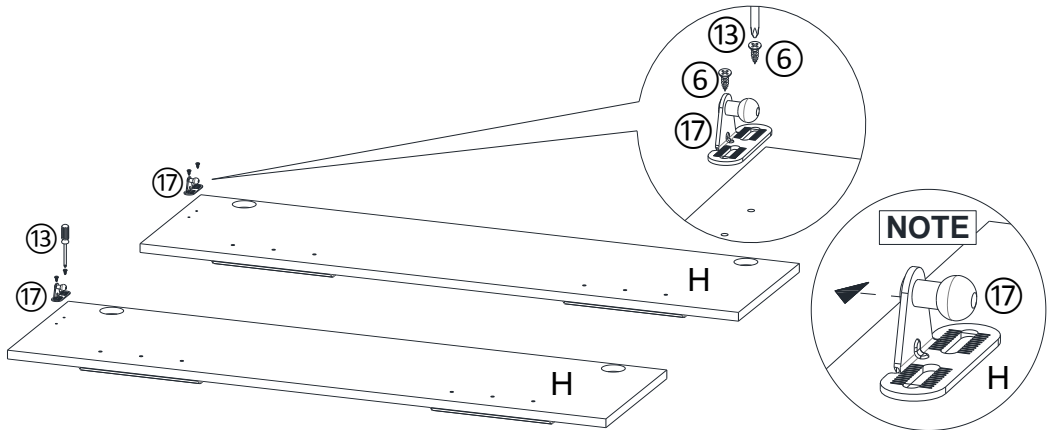


Attach Handles(L) to both Door Panels(H) using Screws(12) with Screwdriver(13).

Tighten the Screws fully in a sequential manner.

Note: There are pre-existing mounting positions on both Door Panels to attach the Handles.

Step 16



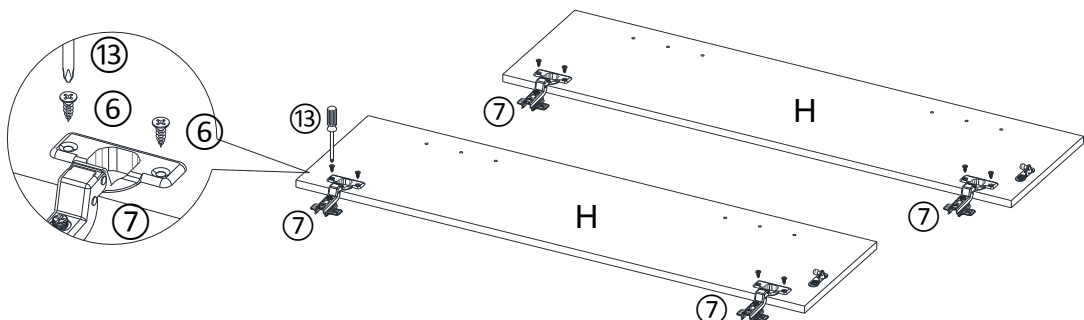
Attach Ball Connector Brackets(17) to both Door Panels(H) using Screws(6) with Screwdriver(13).

Tighten the Screws fully in a sequential manner.

Note: There are pre-existing mounting positions on both Door Panels to fix the Ball Connector Brackets.

The flat faces of Ball Connector Brackets shall be facing the outer sides of Door Panels.

Step 17

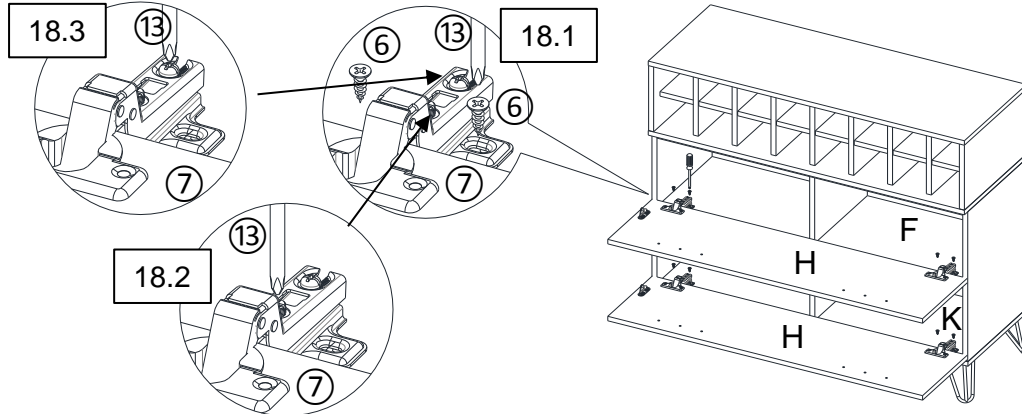


Attach Connectors(⑦) to both Door Panels(H) using Screws(⑥) with Screwdriver(⑬).

Tighten the Screws fully in a sequential manner.

Note: There are pre-existing mounting positions on both Door Panels to fix Connectors.

Step 18



18.1) Attach Connectors(⑦) to Middle Panel(F) and Bottom Panel(K) using Screws(⑥) with Screwdriver(⑬).

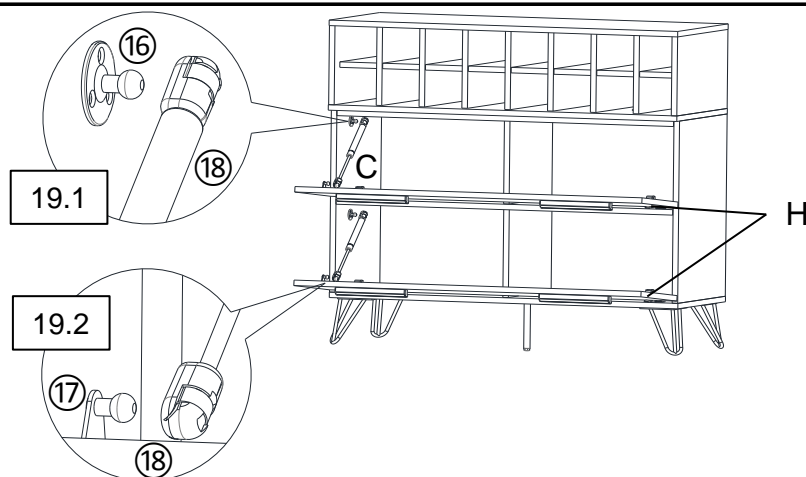
Tighten the Screws fully in a sequential manner.

18.2) Rotate first screw on Connectors(⑦) to adjust up-down position of Door Panels(H) when necessary.

18.3) Rotate second screw on Connectors(⑦) to adjust in-out position of Door Panels(H) when necessary.

Note: There are pre-existing mounting positions on the Middle Panel and Bottom Panel to attach the Connectors.

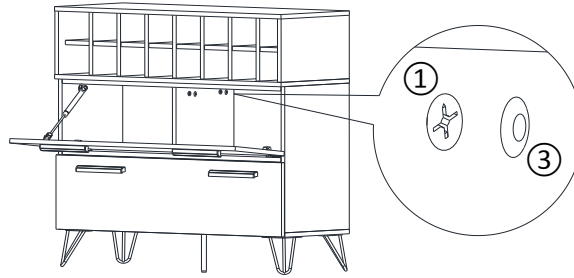
Step 19



19.1) Insert Ball Connectors(⑯) from Left Side Panel(C) into Shock Absorbers(⑱) by hand.

19.2) Insert Ball Connector Brackets(⑰) from Door Panels(H) into Shock Absorbers(⑱) by hand.

Step 20



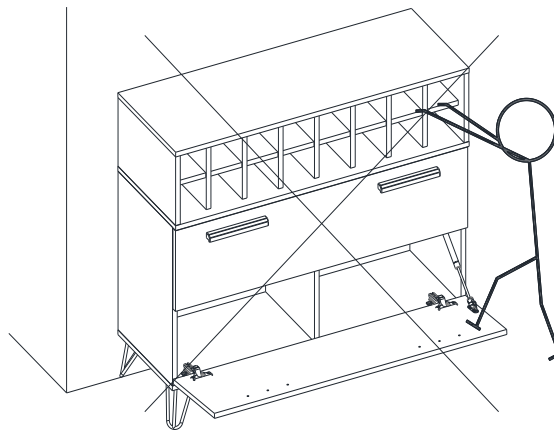
Insert Cam Caps(③) into all Cam Locks(①) by hand.

Cabinet Restraint Device Installation Instructions



WARNING

Serious or fatal crushing injuries can occur from tipping furniture.
To help prevent tip-over: **ALWAYS** secure this furniture to the wall using Cabinet Restraint Device.
See product instructions for more ways to help prevent furniture tip-over.

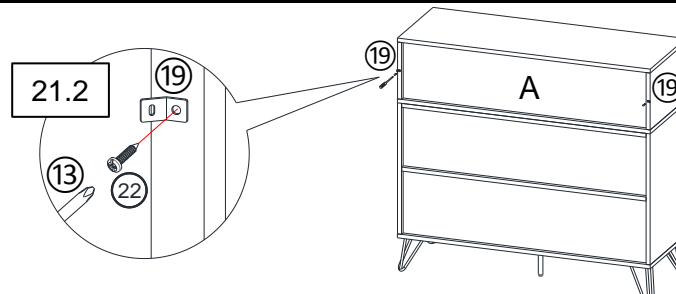


Usage For Cabinet Restraint Device:

To secure Wine Cabinet against wall, attach two Metal Brackets(⑲) on wall and product, use Cabinet Restraint Straps(⑳) to connect the Metal Brackets(⑲).

Instructions:

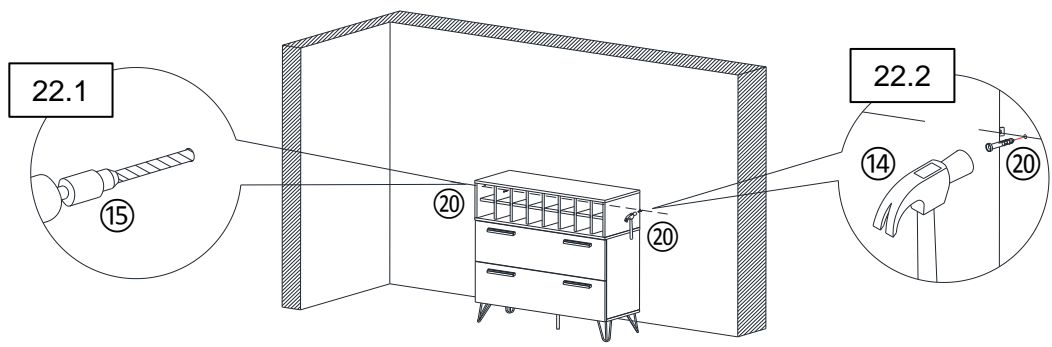
Step 21



21.1) Turn Wine Cabinet so the back side faces you.

21.2) Attach Metal Brackets(⑲) to Storage Box(A) using Pan Head Screws(⑳) with Screwdriver(⑬).

Step 22



22.1) Drill two holes on wall at same height as Metal Brackets(19) on Wine Cabinet with Power Drill(15).

You can mark these points in two ways as below:

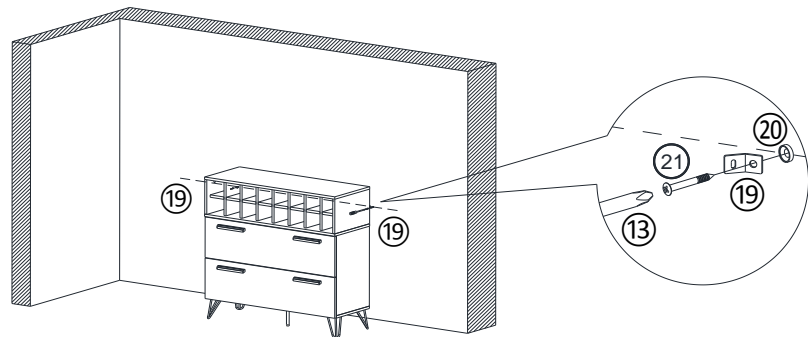
1) Move the Wine Cabinet back to the wall. Mark two points the same height as the Wine Cabinet on the wall.

Note: The Metal Brackets need to be secured to a solid, load bearing surface. Please use a Stud Finder(not supplied) if needed to locate the Wall Frame.

2) Measure the height of the Metal Brackets(19) with ruler/measuring tape and mark on wall to keep them accurate and same height.

22.2) Insert Wall Plugs(20) into drilled holes on wall with Hammer(14).

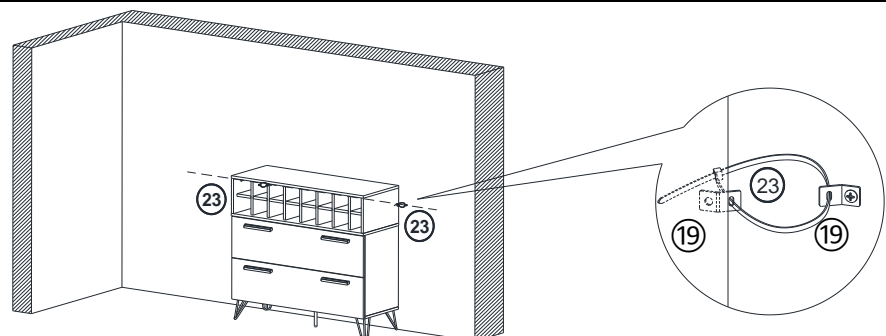
Step 22



Attach Metal Brackets(19) to Wall Plugs(20) using Wall Plug Screws(21) with Screwdriver(13).

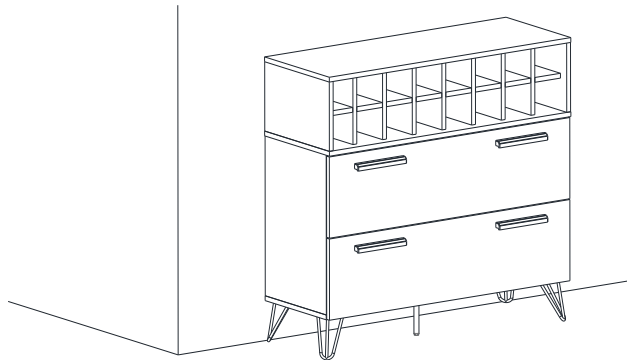
Tighten the Screws fully in a sequential manner.

Step 23



Move the Wine Cabinet to the wall.
Pull the Restraint Straps(23) through the Metal Brackets(19) on the wall and Wine Cabinet one by one, and pull the Restraint Straps(23) tight.











Step 24



Your Wine Cabinet is ready for use.

This Wine Cabinet can only be used on a flat, level surface.

Care & Maintenance

-  ● Do not put hot items directly on furniture surface
 -  ● Do not clean furniture with harsh cleansers or polish.
 -  ● Do not place furniture under direct sunlight.
 -  ● Do not place furniture near heating or cooling vents.
 -  ● Do not write on furniture without a padded barrier to protect the surface.
 -  ● Do not place furniture outside . For indoor use only .
 -  ● Not for commercial use. For residential use only .
 -  ● Stains may be removed with mild soap solution and damp cloth.
 -  ● Children should not climb or jump on the furniture.
-
-  ● Dust and pick-up spills using a clean, non-colored, lint-free cloth .

What is Proposition 65?

Proposition 65 is a California law that requires warning labels on products that may contain one of more than 800-plus chemicals or ingredients that the California Office of Environmental Health Hazard Assessment (OEHHA) has deemed to cause cancer or other reproductive toxicity. Chemicals and elements on this list include wood dust, brass, and other everyday substances, which can be found in very common household items, such as: lamps, tableware, jewelry, crystal glasses, electric cords, beauty products, automobiles, and furniture.

Why Did I Find a Proposition 65 Warning on My Home Goods Product?

We include Proposition 65 warnings on all of our products because there is always a chance that one of the 800-plus common chemicals and ingredients listed under this law could potentially be on our furniture or packing materials. We risk large fines under this law, if we don't include this warning.

Should I worry?

We realize you may be worried finding this warning on our products, but we want to reassure you that the hazardous exposure limits for any of these chemicals have never been found on furniture products that we've shipped to our customers. Additionally, this warning label is very common and can be found on almost every piece of furniture sold in the state of California.

Just How Common Are Proposition 65 Warnings?

Proposition 65 warnings have become so common in California that it is hard to take a trip to a local bank, grocery store, or restaurant without finding at least one warning. In fact, even the Disney Land Resort has a Proposition 65 warning:

