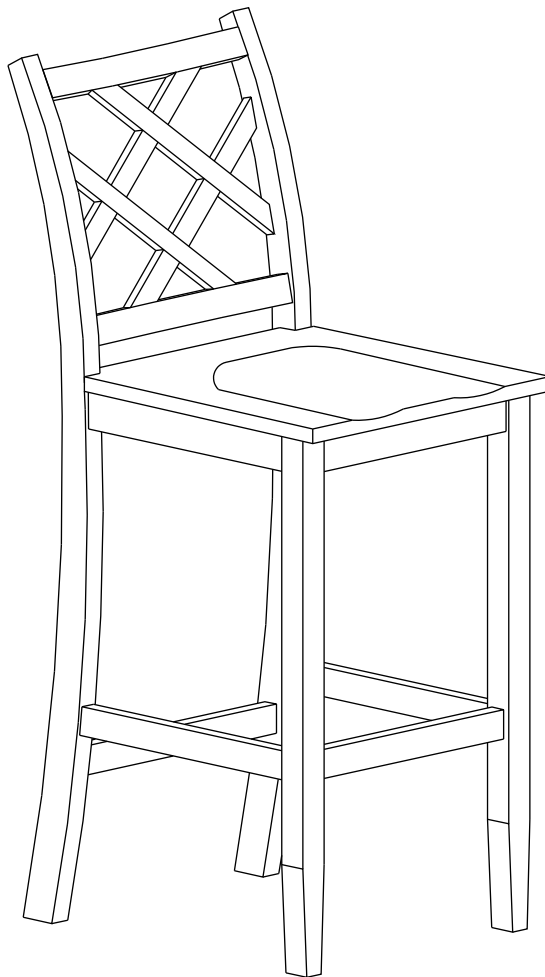


Assembly Instructions

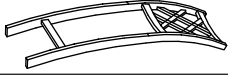
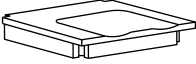

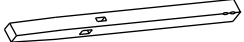


COUNTER CHAIR

CAUTION: You must read this before you proceed.



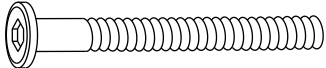
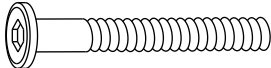


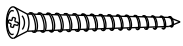

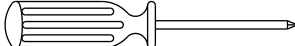
CAUTION : This Counter Chair is NOT a TOY.
Keep your child / children at bay in the process of assembly.
For turning the Counter Chair and to prevent damage to the Counter Chair, 02 persons may be needed to execute this action.

Parts List

No.	Picture	Description	Qty
A		Chair Back /Hind Legs	1
B		Chair Seat	1
C1		Left Front Leg	1
C2		Right Front Leg	1
D		Leg Connection	1
E		Side Rail (The side with holes is the bottom side to face the floor after assembly)	2

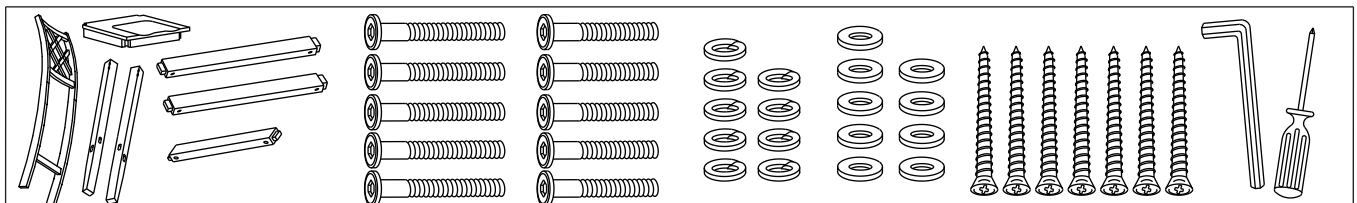
Hardware

Table Hardware

No.	Picture	Description	Qty
①		Long Bolts M8 x 80mm	5
②		Short Bolts M8 x 65mm	5
③		Spring Washers M8	9
④		Flat Washers M8	9
⑤		Screws M4 x 50mm	7
⑥		Allen Key	1
⑦		Screw Driver	Not Provided

Assembly Preparation

Before Beginning Assembly:



Read instructions, cover to cover.



Have 2 adults on hand for assembly.



Do not assemble on flooring or carpet.



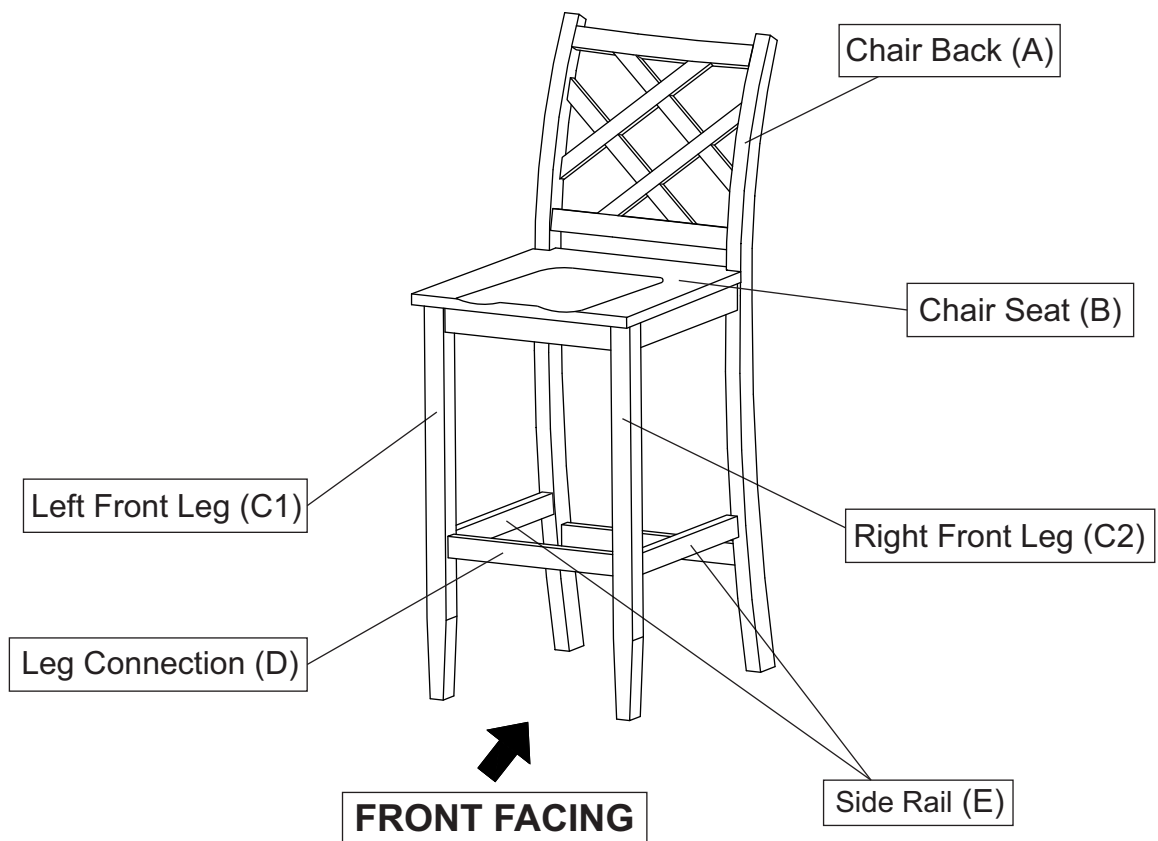
Assemble on a clean non-marring surface (packing foam).



Save all packaging until finished.

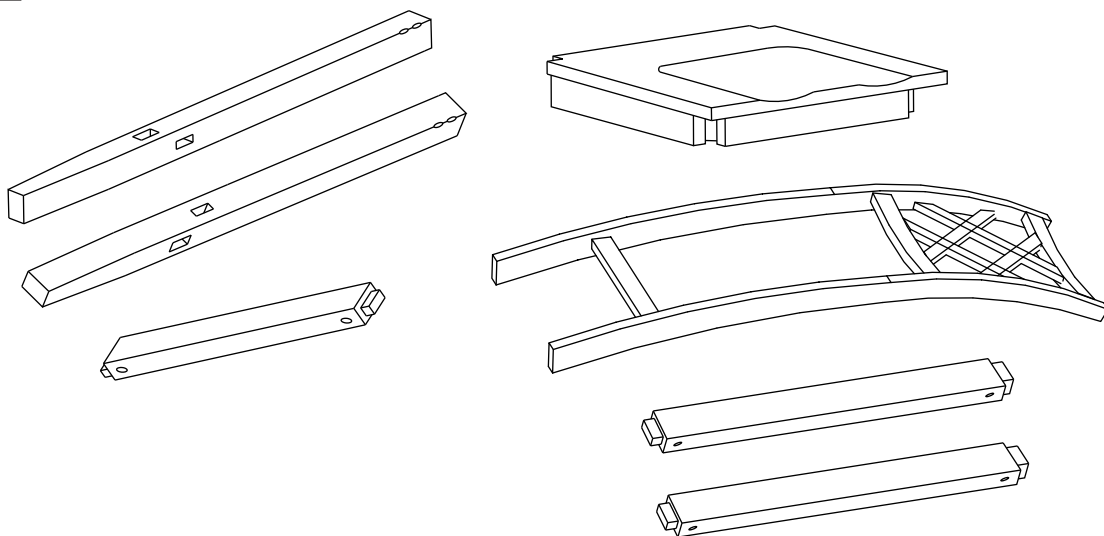
Assembly Steps

OVERVIEW



This Counter Chair has multiple parts and may require up to 30 minutes to assemble. To give you an overview of the Counter Chair parts, the above picture is to help you put the various parts into perspective. Please read through the instructions herebelow to familiarise the parts and steps before assembly.

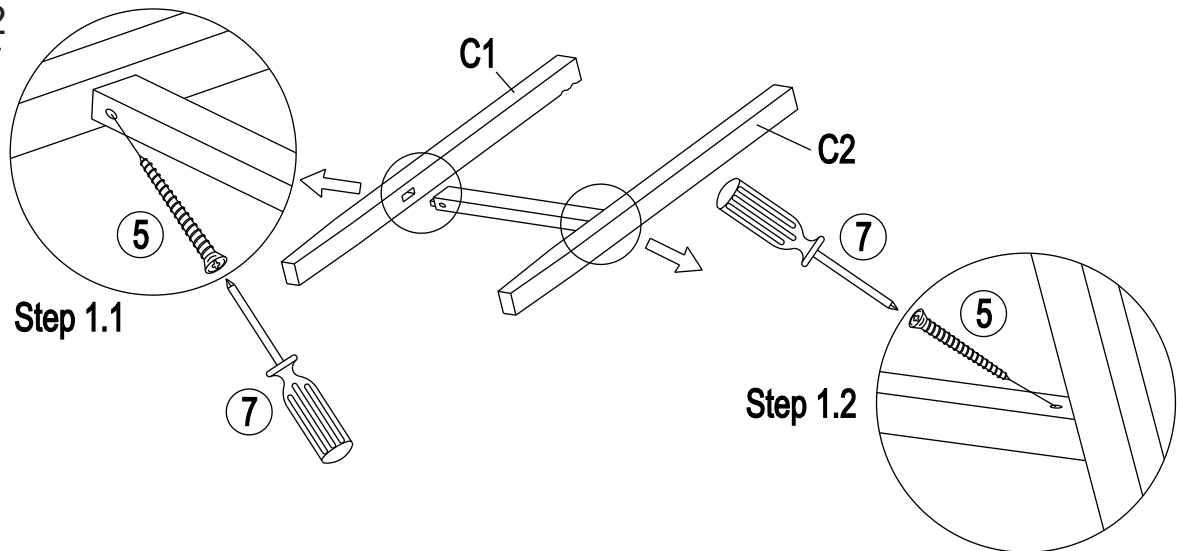
Step 1



Unpack and place all parts on a clean, non-marring surface.

Assembly Steps

Step 2



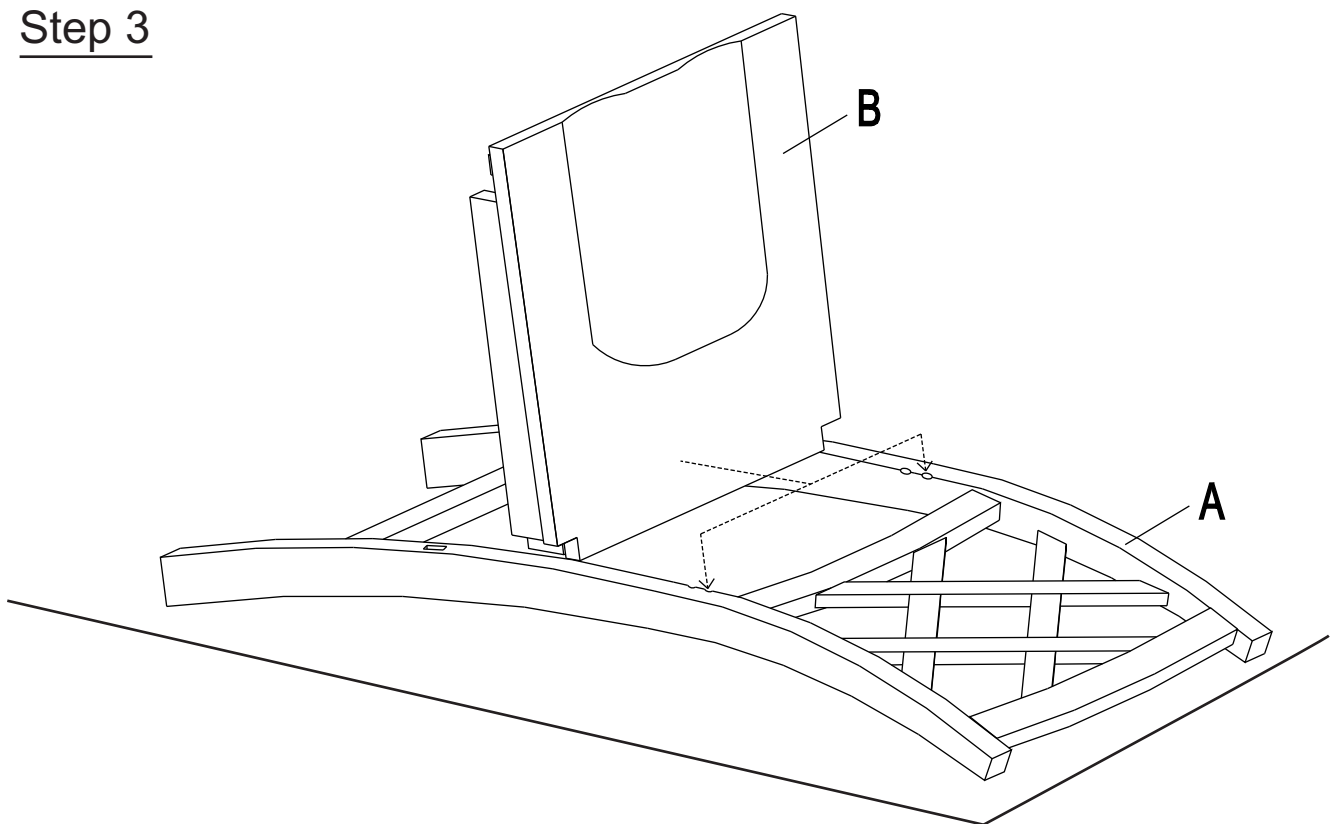
Attach Leg Connection (D) into the housing of the Left Front Leg(C1) and Right Front Leg(C2).

In step 1.1: Secure the Leg Connection (D) to Left Front Leg(C1) by using Screw (5) and Screwdriver (7).

In step 1.2: Secure the Leg Connection(D) to Right Front Leg(C2) By using Screw (5) and Screwdriver (7).

Do not fully tighten the Screws.

Step 3



Place the Chair Back (A) onto a flat, clean table, as shown above.

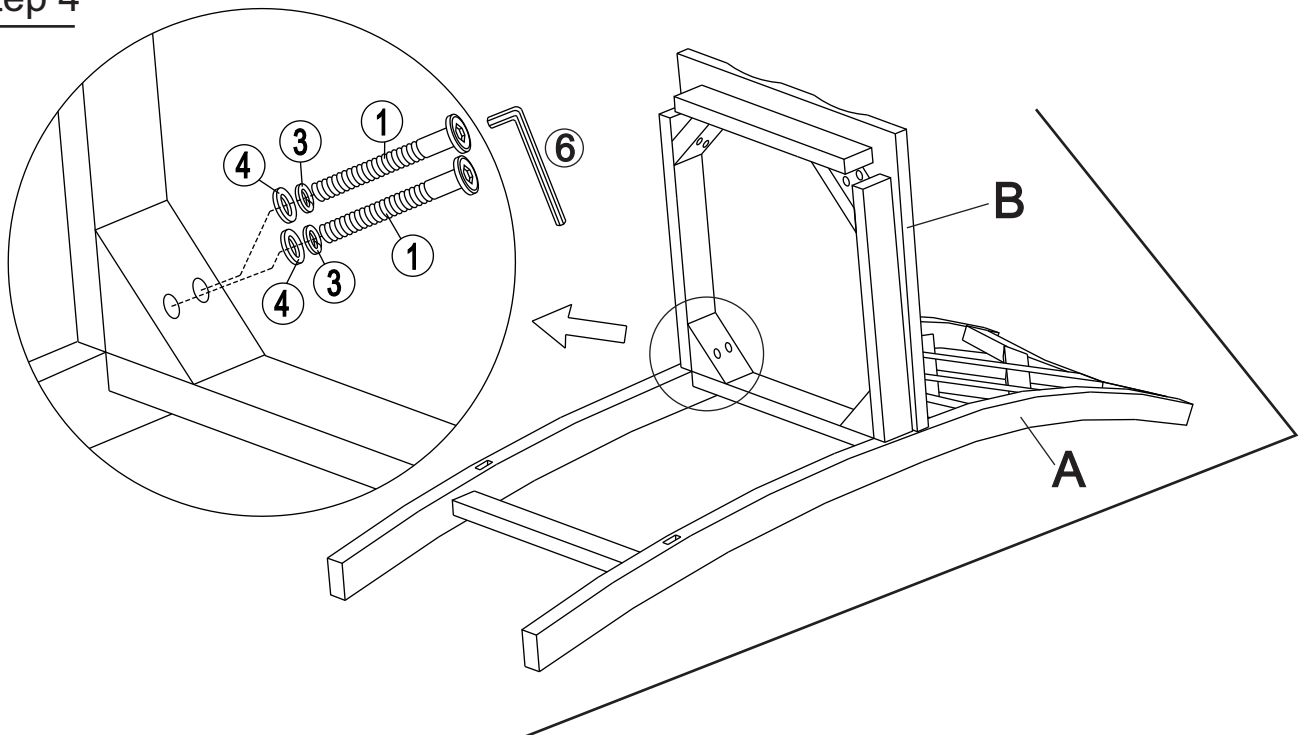
Push the Chair Seat (B) into the mounting position of the Chair Back (A).

Use your left hand to push the seat frame floorwards.

This action helps to ensure the Chair Seat (B) is pressed towards to the Chair Back (A) with no gap between them.

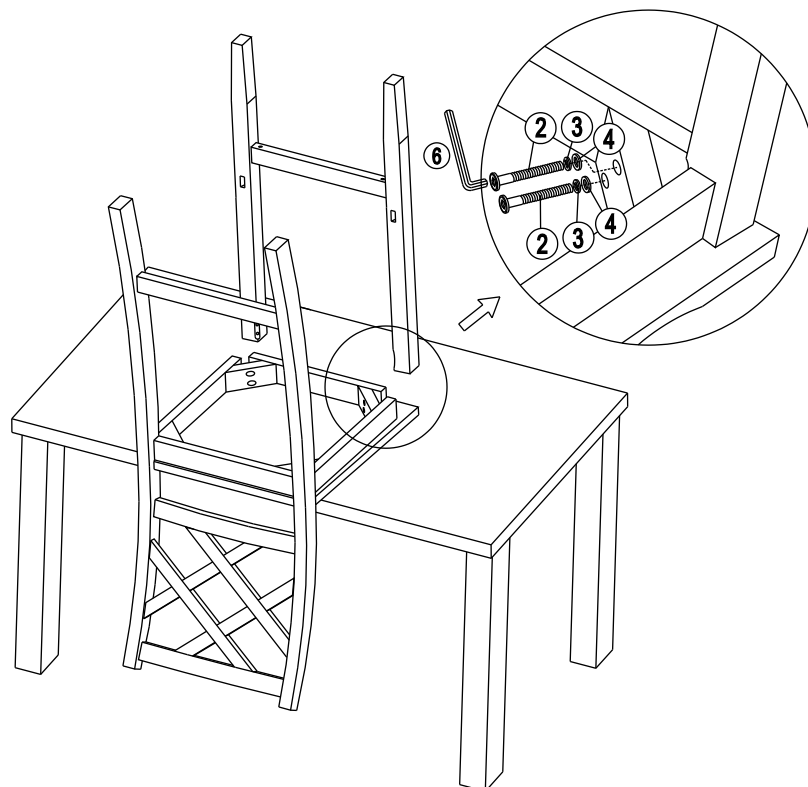
Assembly Steps

Step 4



Secure the Chair Back (A) to the Chair Seat (B), using Bolt (1), Spring Washer (3) and Flat Washer (4) with Allen Key (6)
Do not fully tighten the Bolts.

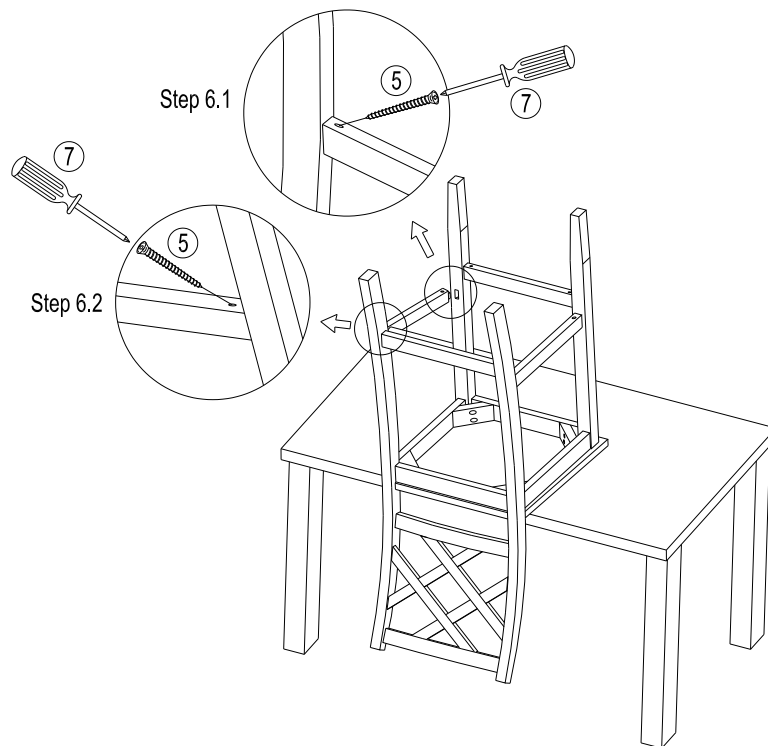
Step 5



Next, place the Counter Chair onto the side of a table as shown in picture. You will have the Counter Chair bottom and legs facing skywards.
Attach the assembled frame from Step 2 into the assembled frame from Step 4 by using Short Bolt (2), Spring Washer (3) and Flat Washer (4) with Allen Key (6).
Do not fully tighten the Bolts.

Assembly Steps

Step 6



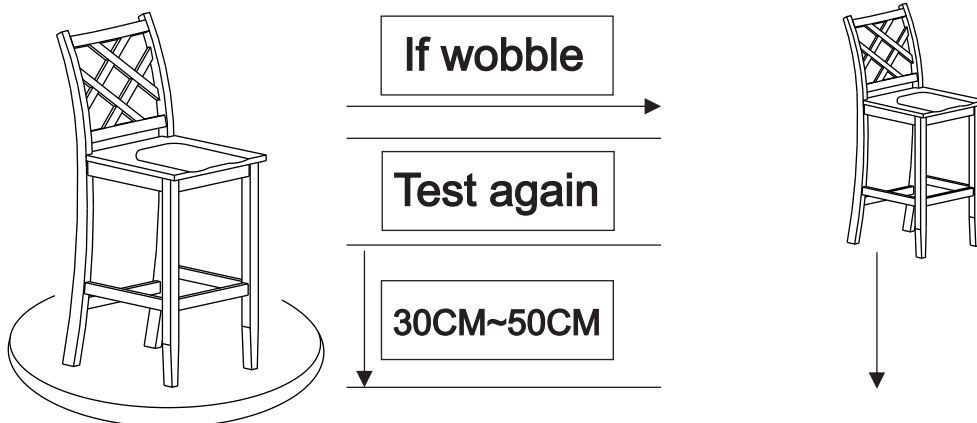
Then, place Side Rail (E) into the housing of the Hind Leg of the Chair Back (A) and Left Front Leg (C1). You may need to apply a little pressure to the Legs - pushing outwards, so as to enable the Side Rail (E) to be slotted into position.

In step 6.1) Secure the Side Rail (E) to Left Front Leg (C1) by using Screw (5) and Screwdriver (7).

In step 6.2) Secure the Side Rail (E) to the Chair Back (A) By using Screw (5) and Screwdriver (7). Do not fully tighten the Screws.

Repeat the same process for the other Side Rail (E) to Right Front Leg (C2).

Step 7



Place the Counter Chair right side up on a LEVEL SURFACE to see if it wobbles. If it wobbles, lift the Chair to some 30cm to 50cm height from the ground. Keep your feet and toes well away from the drop zone.

Drop the Counter Chair freely and vertically with the four legs, hitting the ground, at the same time. This Drop Test will help to ensure that all the bolts, screws and gaps all reach full alignment status.

Test again for evenness on a LEVEL SURFACE.

If no wobbles are found, proceed to tighten all the Screws, and Bolts.

CAUTION: When tightening these screws, tighten sequentially.

DO NOT tighten any Bolt, or Screw fully and then move towards the next one.

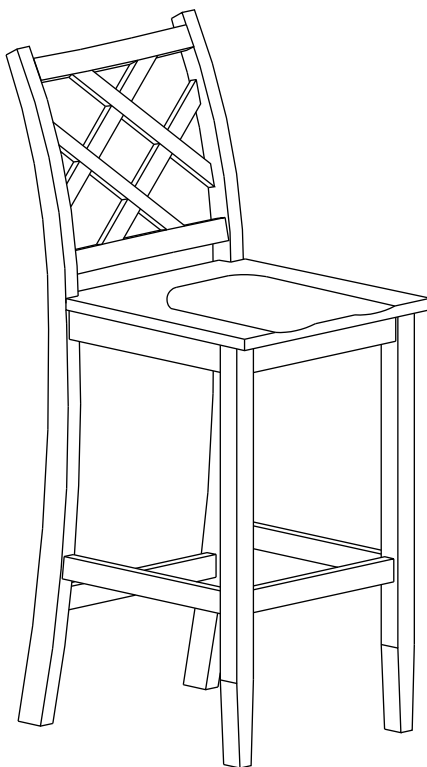
This could cause the frame to warp.

If there are still wobbles, loosen the Screws and Bolts and execute this same drop tests.

--IF COUNTER CHAIR IS NOT STABLE, IT COULD LEAD TO DAMAGE TO THE PRODUCT.

Assembly Steps











Step 8



Inspect the Counter Chair and make sure all parts are connected.
Your Chair is ready for use.

Caution: This Counter Chair can only be used on a flat, level surface.

Care & Maintenance

-  Do not put hot items directly on furniture surface.
-  Do not clean furniture with harsh cleansers or polish.
-  Do not place furniture under direct sunlight.
-  Do not place furniture near heating or cooling vents.
-  Do not write on furniture without a padded barrier to protect the surface.
-  Do not place furniture outside. For indoor use only.
-  Not for commercial use. For residential use only.
-  Stains may be removed with mild soap solution and damp cloth.
-  Children should not climb or jump on the furniture.
-  Dust and pick-up spills using a clean, non-colored, lint-free cloth.

What is Proposition 65?

Proposition 65 is a California law that requires warning labels on products that may contain one of more than 800-plus chemicals or ingredients that the California Office of Environmental Health Hazard Assessment (OEHHA) has deemed to cause cancer or other reproductive toxicity. Chemicals and elements on this list include wood dust, brass, and other everyday substances, which can be found in very common household items, such as: lamps, tableware, jewelry, crystal glasses, electric cords, beauty products, automobiles, and furniture.

Why Did I Find a Proposition 65 Warning on My Home Goods Product?

We include Proposition 65 warnings on all of our products because there is always a chance that one of the 800-plus common chemicals and ingredients listed under this law could potentially be on our furniture or packing materials. We risk large fines under this law, if we don't include this warning.

Should I worry?

We realize you may be worried finding this warning on our products, but we want to reassure you that the hazardous exposure limits for any of these chemicals have never been found on furniture products that we've shipped to our customers. Additionally, this warning label is very common and can be found on almost every piece of furniture sold in the state of California.

Just How Common Are Proposition 65 Warnings?

Proposition 65 warnings have become so common in California that it is hard to take a trip to a local bank, grocery store, or restaurant without finding at least one warning. In fact, even the Disney Land Resort has a Proposition 65 warning:

