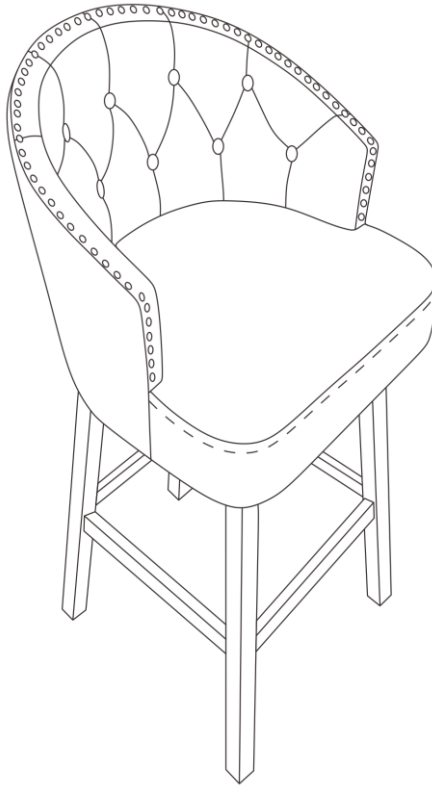


Assembly Instructions

Caution: You must read this before you proceed.

Bar Chair



Part List

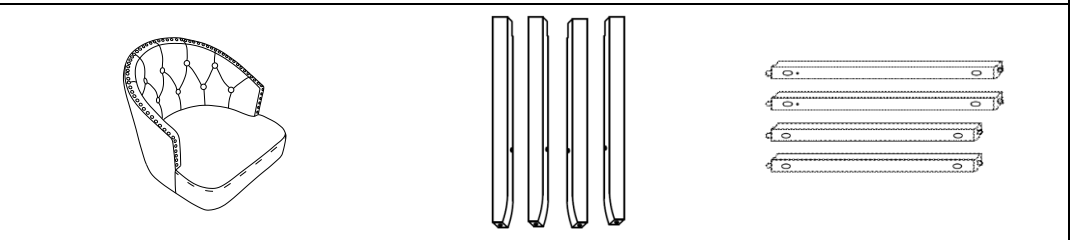
Part NO.	Picture	Description	QTY
A		Chair Back	1
B		Left Chair Leg (L)	2
C		Right Chair Leg (R)	2
D		Left Side Rail (L)	2
E		Right Side Rail (R)	2

Hardware

Label	Picture	Description	QTY
①		Bolt (M6 x 50mm)	8
②		Screw (M4 x 38mm)	8
③		Spring Washer	8
④		Washer	8
⑤		Allen Key	1
⑥		Screwdriver	Not provided

Assembly Preparation

Before Beginning Assembly:

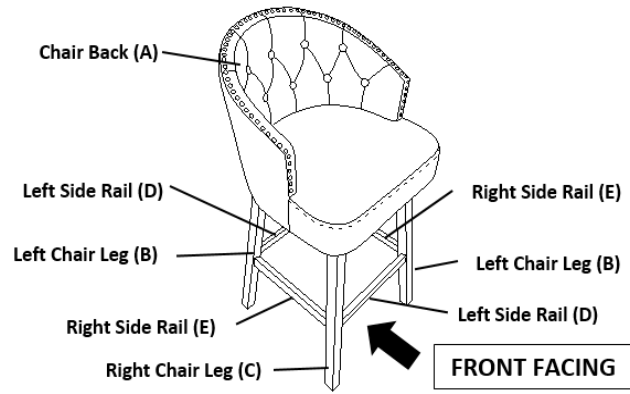


<p>For assembling Chair Legs(B) & (C) to the Chair Back(A)</p>	<p>Bolt (M6 x 50mm) Washer Spring Washer Allen Key</p>	
--	--	--

<p>For assembling Side Rails(D) & (E) to Chair Legs(B)</p>	<p>Screw (M4 x 38mm)</p>	
--	--------------------------	--

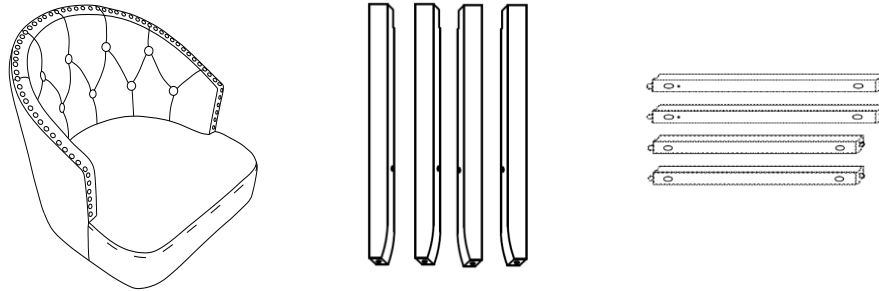
- Read instructions, cover to cover-
- Have 2 adults on hand for assembly-
- Do not assemble on flooring or carpet-
- Assemble on a clean non-marring surface (packing foam)-
- Save all packaging until finished-

Assembly Steps



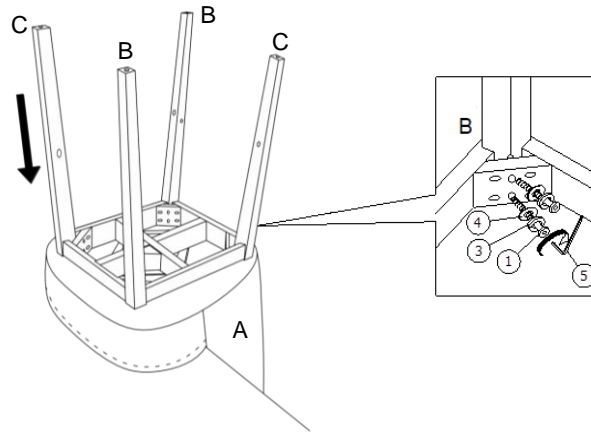
This Bar Chair has multiple parts and may require up to 30 minutes to assemble. To give you an overview of the Bar Chair parts, the above picture is to help you put the various Bar Chair parts into perspective. Please read through the instructions below to familiarise yourself with the parts and steps before assembly.

Step 1



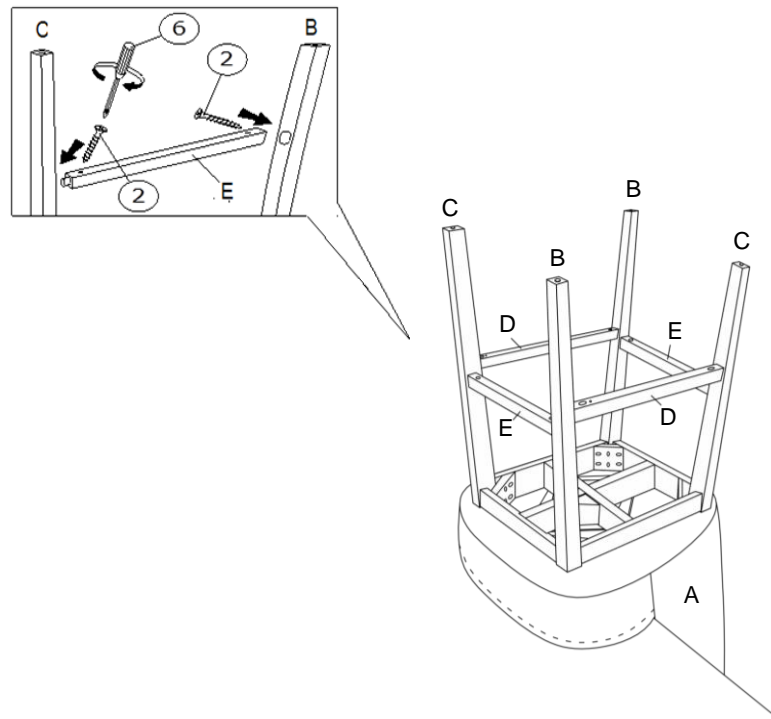
Unpack and Place the Chair Back(A), Chair Legs(B) & (C) and Side Rails(D) & (E) on a clean, non-marring surface.

Step 2



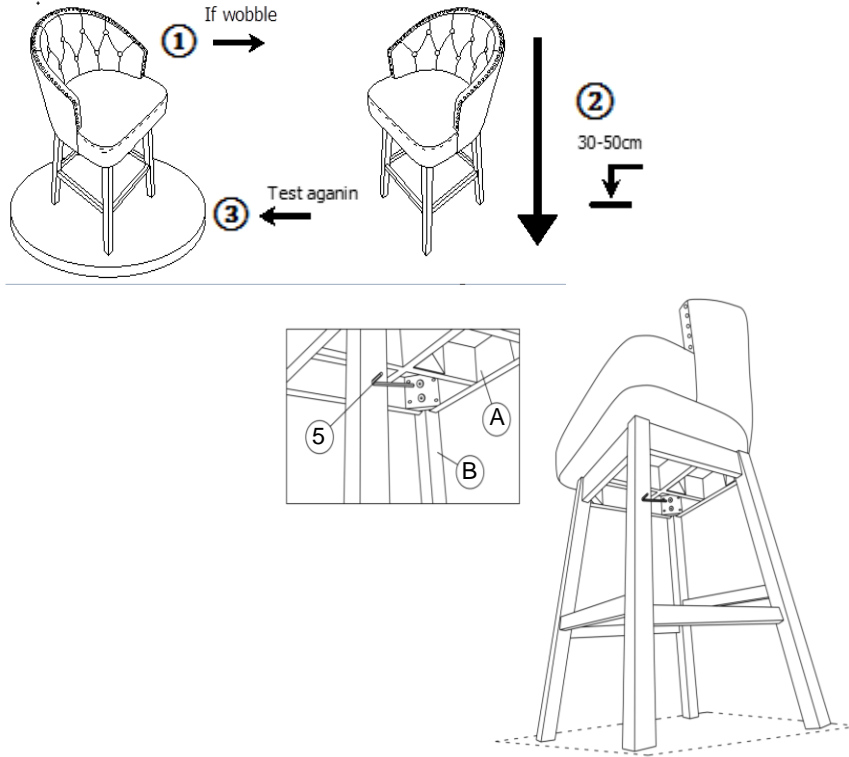
Place the Chair Back(A) onto the side of a table as shown in the picture.
Insert the Chair Legs(B) & (C) into the base of Chair Back(A).
Attach Chair Legs(B) & (C) to Chair Back(A) using Bolts(1), Spring Washers(3), and Washers(4)
with Allen Key(5)
Do not fully tighten Bolts.

Step 3



Insert Side Rails(D) & (E) between Chair Legs(B).
Note: You may need to apply a little pressure to the Chair Legs to enable the Side Rails to be slotted into position.
Attach Side Rails(D) & (E) to Chair Legs(B) using Screws(2) with Screwdriver(6).

Step 4



Place the Bar Chair on a Level Surface to check if it wobbles.

If it wobbles, lift the Bar Stool up some 30cm to 50cm from the ground, keep your feet and toes well away from the drop zone, and drop the Bar Chair freely and vertically with the four legs, hitting the ground at the same time. This Drop Test will help ensure that all parts and gaps reach full alignment. Test again for evenness on a Level Surface.

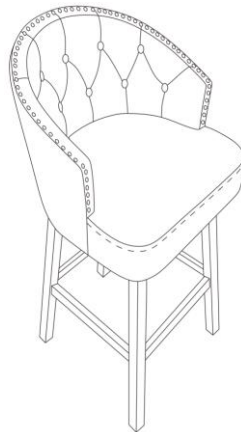
If no wobbles are found, proceed to tighten all the Bolts.

When tightening the Bolts, tighten sequentially.

Do not tighten any Bolt fully and then move on to the next one, as this could cause the frame to warp. Rather in a sequential manner, gradually tighten each Bolt until all are evenly secured. This methodology will ensure maximum evenness once all Bolts are fully tightened.

If the chair still wobbles, loosen the Bolts and execute the same drop test, then proceed to tighten the bolts again in a sequential manner.

Step 5



Your Bar Chair is now ready for use.

This Bar Chair can only be used on a flat, level surface.

Care & Maintenance



- Furniture may scratch floors. We recommend using furniture pads to protect your floors.



- Do not put hot items directly on furniture surface.



- Do not clean furniture with harsh cleansers or polish.



- Do not place furniture under direct sunlight.



- Do not write on furniture without a padded barrier to protect the surface.



- Do not place furniture outside . For indoor use only.



- Not for commercial use. For residential use only.



- Stains may be removed with mild soap solution and damp cloth.



- Children should not climb or jump on the furniture.



- Dust and pick-up spills using a clean, non-colored, lint-free cloth.

Questions & Answers about Proposition 65

• What is Proposition 65?

Proposition 65 requires businesses to provide warnings to Californians about significant exposures to chemicals that cause cancer, birth defects or other reproductive harm. These chemicals can be in the products that Californians purchase, in their homes or workplaces, or that are released into the environment. By requiring that this information be provided, Proposition 65 enables Californians to make informed decisions about their exposures to these chemicals.

Proposition 65 also prohibits California businesses from knowingly discharging significant amounts of listed chemicals into sources of drinking water.

Proposition 65 requires California to publish a list of chemicals known to cause cancer, birth defects or other reproductive harm. This list, which must be updated at least once a year, has grown to include approximately 900 chemicals since it was first published in 1987.

• What types of chemicals are on the Proposition 65 list?

The list contains a wide range of naturally occurring and synthetic chemicals that include additives or ingredients in pesticides, common household products, food, drugs, dyes, or solvents. Listed chemicals may also be used in manufacturing and construction, or they may be byproducts of chemical processes, such as motor vehicle exhaust.

• What does a warning mean?

If a warning is placed on a product label or posted or distributed at a workplace, a business, or in rental housing, the business issuing the warning is aware or believes that it is exposing individuals to one or more listed chemicals.

By law, a warning must be given for listed chemicals unless the exposure is low enough to pose no significant risk of cancer or is significantly below levels observed to cause birth defects or other reproductive harm.

• Where can I get more information on Proposition 65?

If you have specific questions on the administration or implementation of Proposition 65, you can contact OEHHA's Proposition 65 program at P65.Questions@oehha.ca.gov, or by phone at (916) 445-6900.