

Assembly Instructions

Caution : You must read this before you proceed.

Please look in the Removable Tray for hardware packs.

BAR CART

Removable Tray

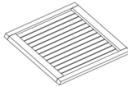
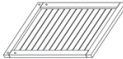
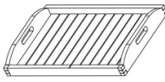

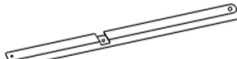
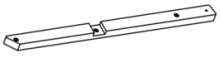







CAUTION : This Bar Cart is NOT a TOY.

Keep your child / children at bay in the process of assembly.

For turning / flipping the Bar Cart and to prevent damage to the Bar Cart, two adults may be needed to execute this action.

Parts List

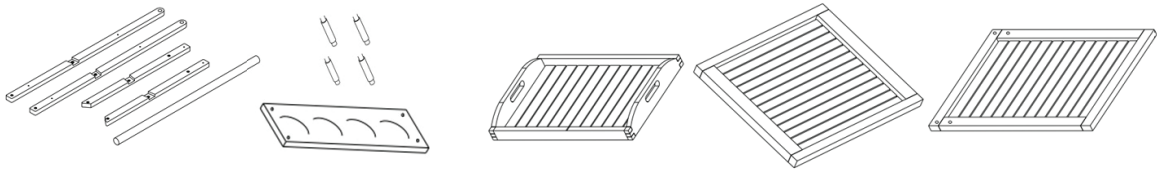
No.	Picture	Description	QTY
A		Upper Tray	1
B		Lower Tray	1
C		Removable Tray	1
D		Long Leg - RIGHT	1
E		Long Leg - LEFT	1
F		Short Leg - RIGHT	1
G		Short Leg - LEFT	1
H		Wheel	4
I		Handle	1
J		Support Bar	4
K		Bottle Holder	1






Hardware

No.	Picture	Description	QTY
①		Long Bolt (M6x45mm)	5
②		Medium Bolt (M6x35mm)	9
③		Short Bolt (M6x15mm)	3
④		Allen Screw (M7x40mm)	3
⑤		Sleeve Nut	7
⑥		Thin Flat Washer (D4mm)	5
⑦		Thick Flat Washer (D2mm)	5
⑧		Metal Tube	5
⑨		Allen Wrench	2

Assembly Preparation

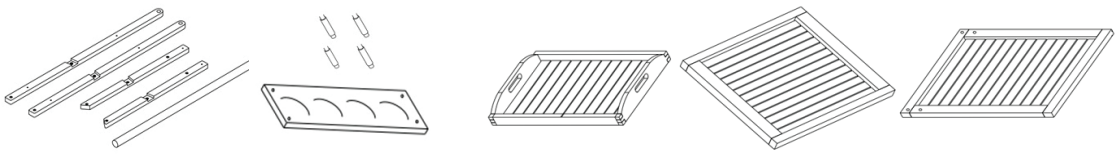
Before Beginning Assembly:



-  • Read instructions, cover to cover-
-  • Have 2 adults on hand for assembly-
-  • Do not assemble on flooring or carpet-
-  • Assemble on a clean non-marring surface (packing foam)-
-  • Save all packaging until finished-

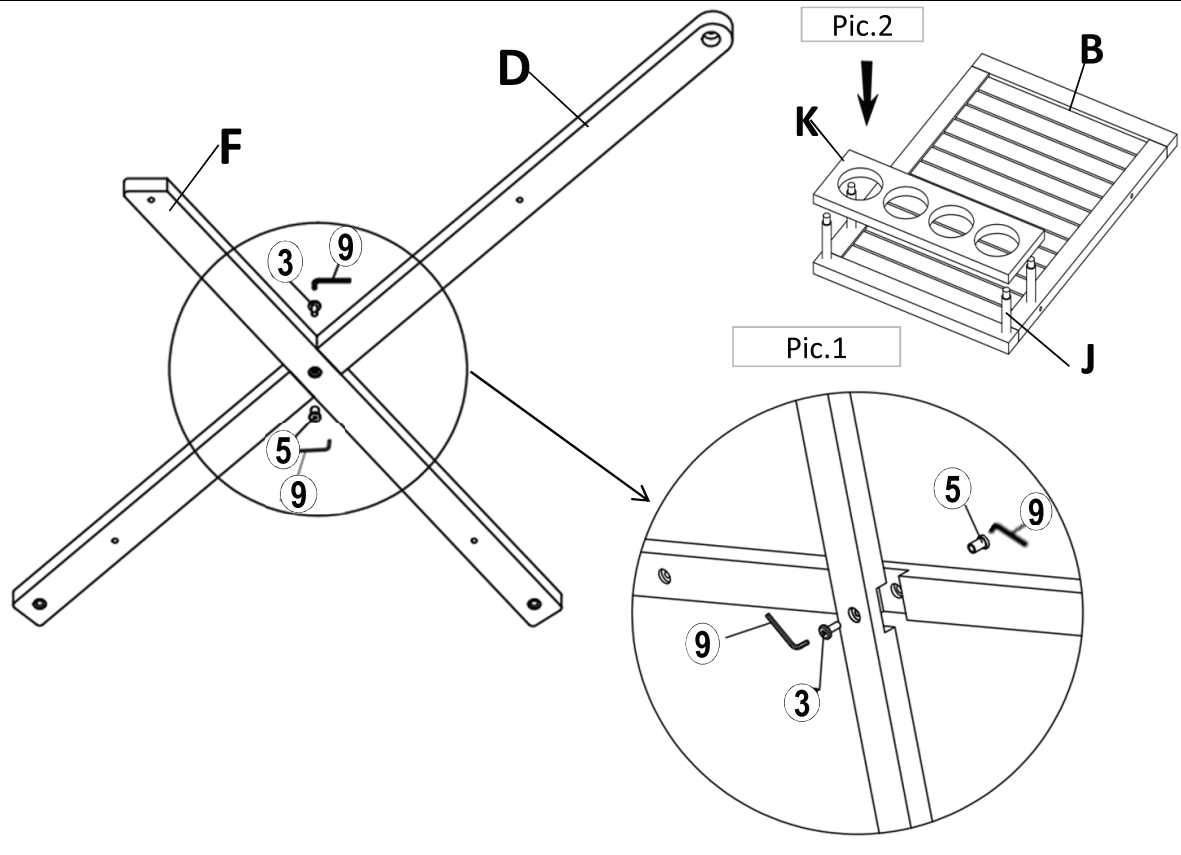
Assembly Steps

Step 1



Unpack and place all parts on a clean, non-marring surface.

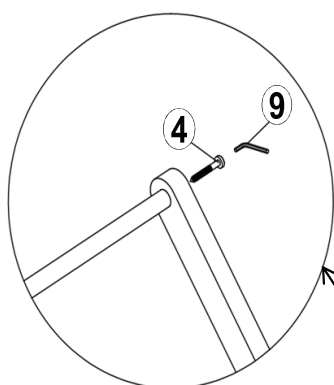
Step 2



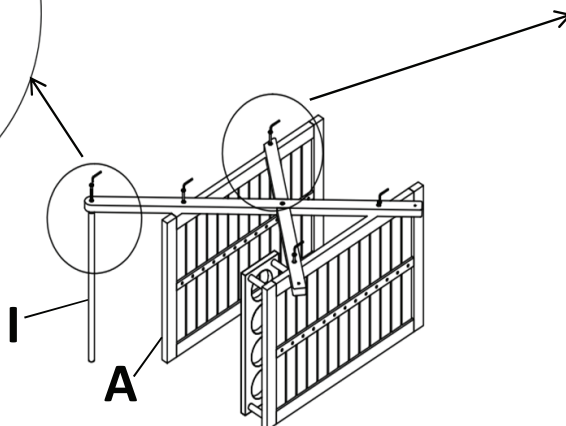
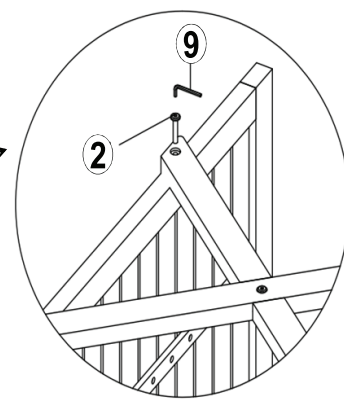
Align and intersect the halved joints of the Right Long Leg (D) and Right Short Leg (F) together. Insert the Short Bolt (3) and Sleeve Nut (5) through the mounting positions on the Right Long Leg (D) and Short Leg - Right (F) using Allen Wrench (9) as shown in Pic.1. Repeat the same process with the Long Leg- Left (E) and Short Leg - Left (G). Insert four Support Bars(J) into mounting position of Lower Tray(B). Place Bottle Holder(K) onto Support Bars(J) as show Pic.2.

Step 3

Pic.4



Pic.3



With the assistance from your partner, position Tray(A) and Tray(B) sideways as shown in the picture.

Place the Right Leg Frame onto the sides of the Trays and align the mounting positions.

Loosely affix the Right Leg Frame to the Trays using Medium Bolts(2) with Allen Wrench (9) as shown in Pic.3.

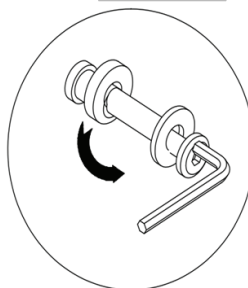
Attach Handle (I) to Right Leg Frame using Allen Screw (4) with Allen Wrench (9).

Carefully turn the Cart over and rest it on the other side.

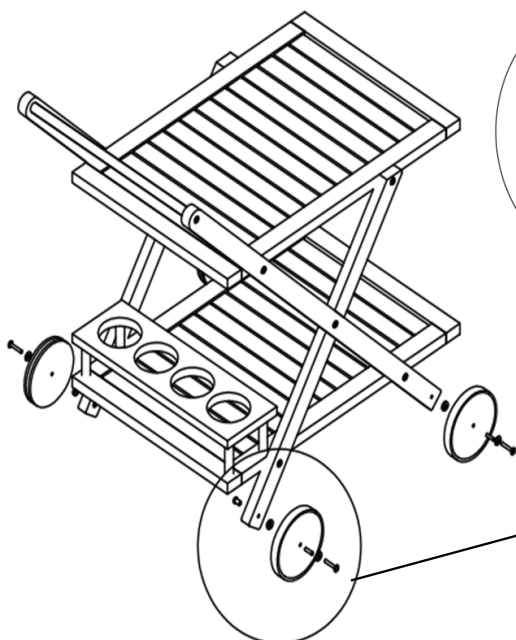
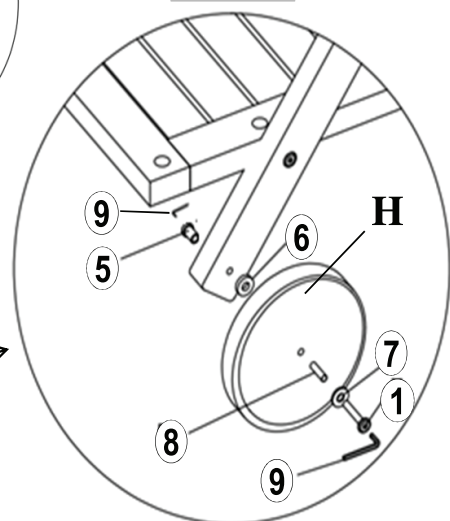
Then, repeat the same process for the Left Leg Frame.

Step 4

Pic.5

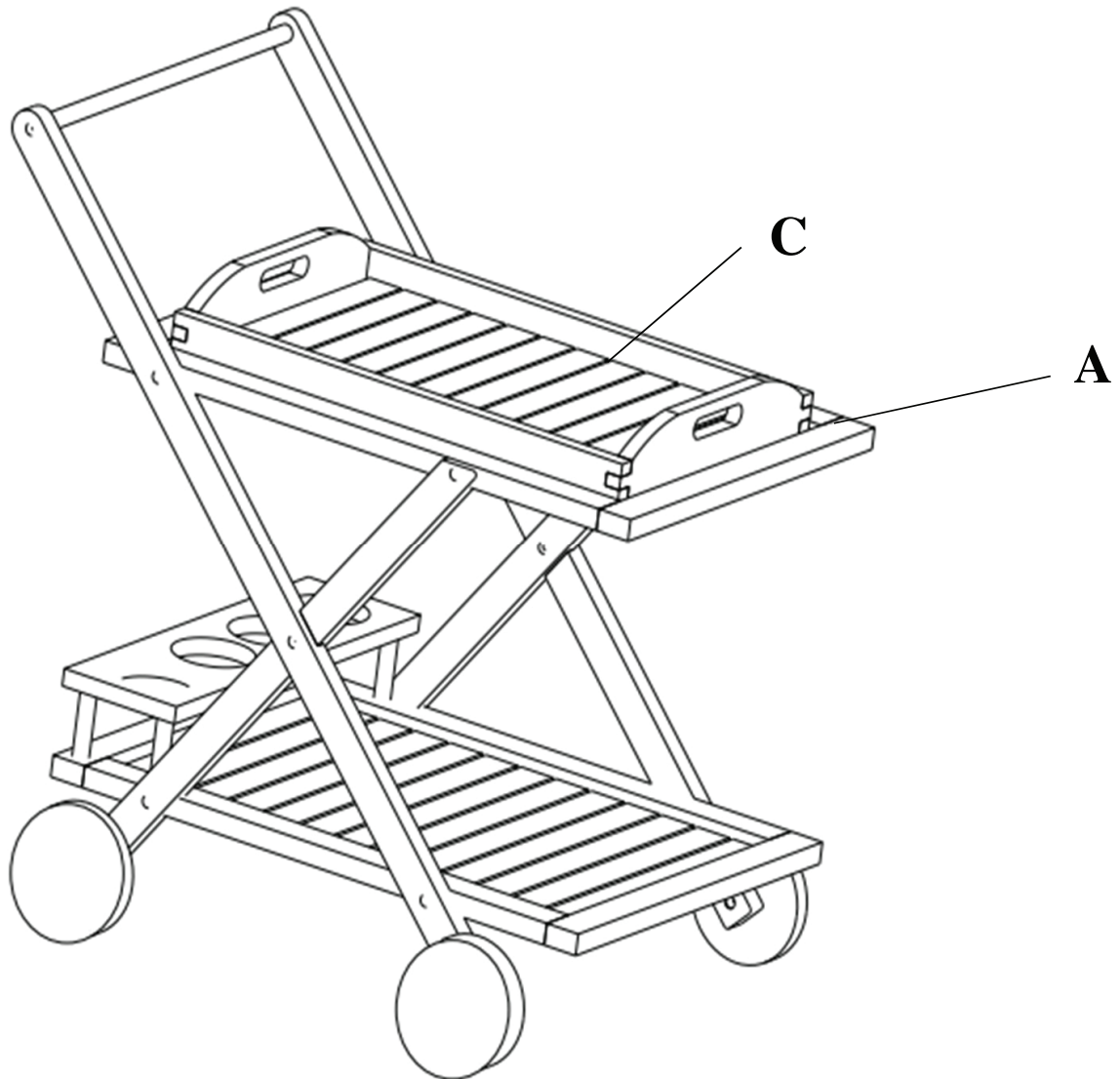


Pic.6





















Secure Wheels(H) to Leg Frames, using Sleeve Nut (5), Thin Flat Washer Ring (6) Wheel (H), Metal Tube (8), Thick Flat Washer Ring (7) and Long Bolt(1), as shown in Pic. 6, then tighten with the Allen Wrench (9).

Step 5



Proceed to fully tighten all Screws and Bolts, in a sequential manner.
Then, place the Removable Tray(C) onto Upper Tray(A) as shown above.
Your Bar Cart is now ready for use.

Care & Maintenance

-   ● Do not put hot items directly on furniture surface
-   ● Do not clean furniture with harsh cleansers or polish.
-   ● To obtain the longest lifespan of your outdoor products, minimizing exposure to direct sunlight is recommended.
-   ● Children should not climb or jump on the furniture.
-   ● Do not write on furniture without a padded barrier to protect the surface.
-   ● To obtain the longest lifespan of your outdoor products, avoid extended and lengthy exposure to rain, snow, and direct sunshine. Whenever possible cover the product and /or place under patio or awnings.
-   ● Not for commercial use. For residential use only .
-   ● Stains may be removed with mild soap solution and damp cloth.
-   ● Dust and pick-up spills using a clean, non-colored, lint-free cloth.