












Assembly Instructions

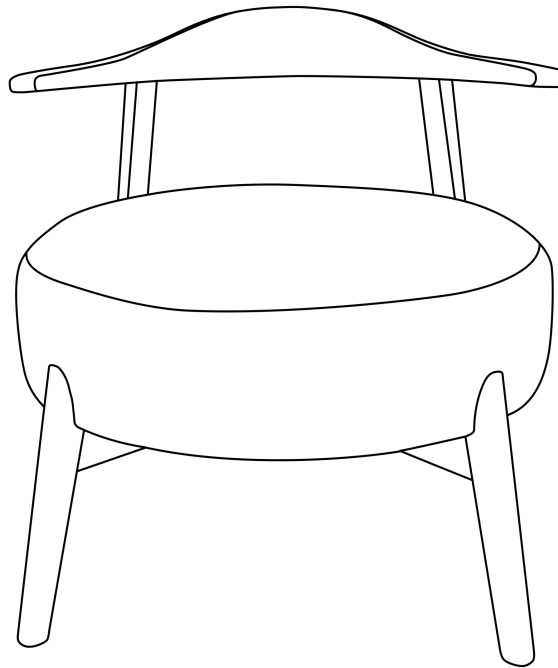
Caution : You must read this before you proceed

Care & Maintenance

- ⊘  ● Not for commercial use. For residential use only.
 - ✓  ● Furniture may scratch floors. We recommend using furniture pads to protect your floors.
 - ⊘  ● Do not put hot items directly on furniture surface.
 - ⊘  ● Do not clean furniture with harsh cleansers or polish.
 - ⊘  ● Do not place furniture under direct sunlight.
 - ⊘  ● Do not place furniture near heating or cooling vents.
 - ⊘  ● Do not write on furniture without a padded barrier to protect the surface.
 - ⊘  ● Do not place furniture outside . For indoor use only.
 - ⊘  ● Stains may be removed with mild soap solution and damp cloth.
 - ⊘  ● Children should not climb or jump on the furniture.
- ✓  ● Dust and pick-up spills using a clean, non-colored, lint-free cloth.

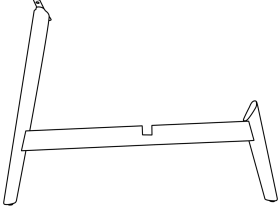
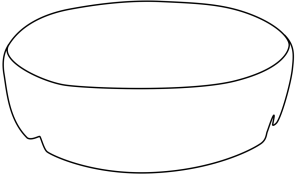
Please look in chair for hardware packs and legs.
Sets often ship in multiple boxes and may arrive a day or two apart.

CHAIR










Parts List

Label	Picture	Description	QTY
A	A line drawing of the backrest part, showing a curved, slightly domed shape with a flat top edge.	Backrest	1
B	A line drawing of the leg frame part, showing a horizontal base with two vertical legs on each side, and a small notch in the center of the base.	Leg Frame (Labelled 'B')	1

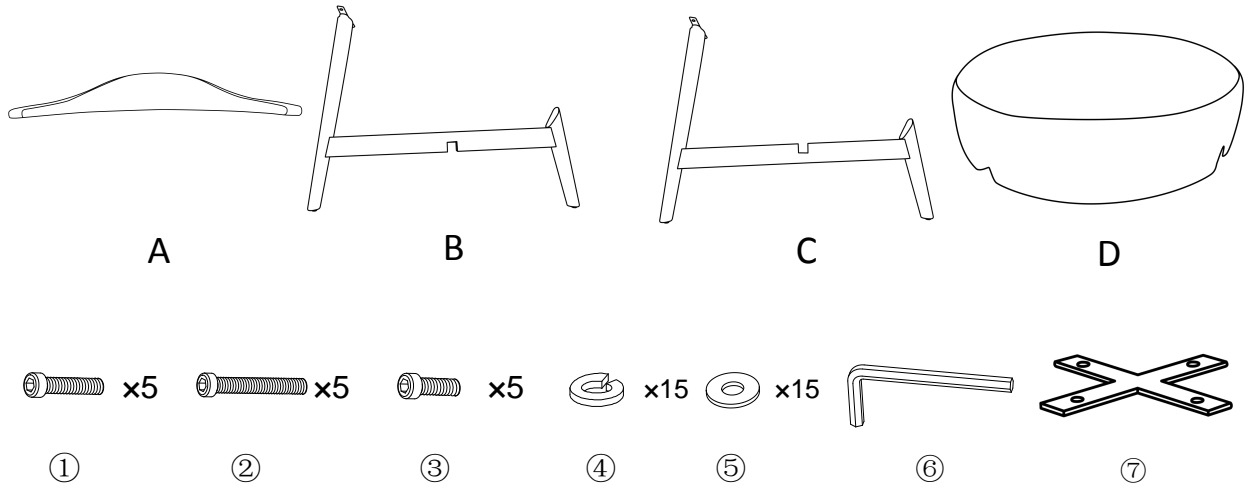
C		Leg Frame (Labelled 'C')	1
D		Cushioned seat	1

Hardware

Label	Picture	Description	QTY
①		Bolt (M6*30MM)	5
②		Bolt (M6*60MM)	5
③		Bolt (M6*20MM)	5
④		Spring Washer	15
⑤		Washer	15
⑥		Allen Wrench	1
⑦		Metal Connector	1

Assembly Preparation

Before Beginning Assembly:



- Read instructions, cover to cover-



- Have 2 adults on hand for assembly-



- Do not assemble on flooring or carpet-



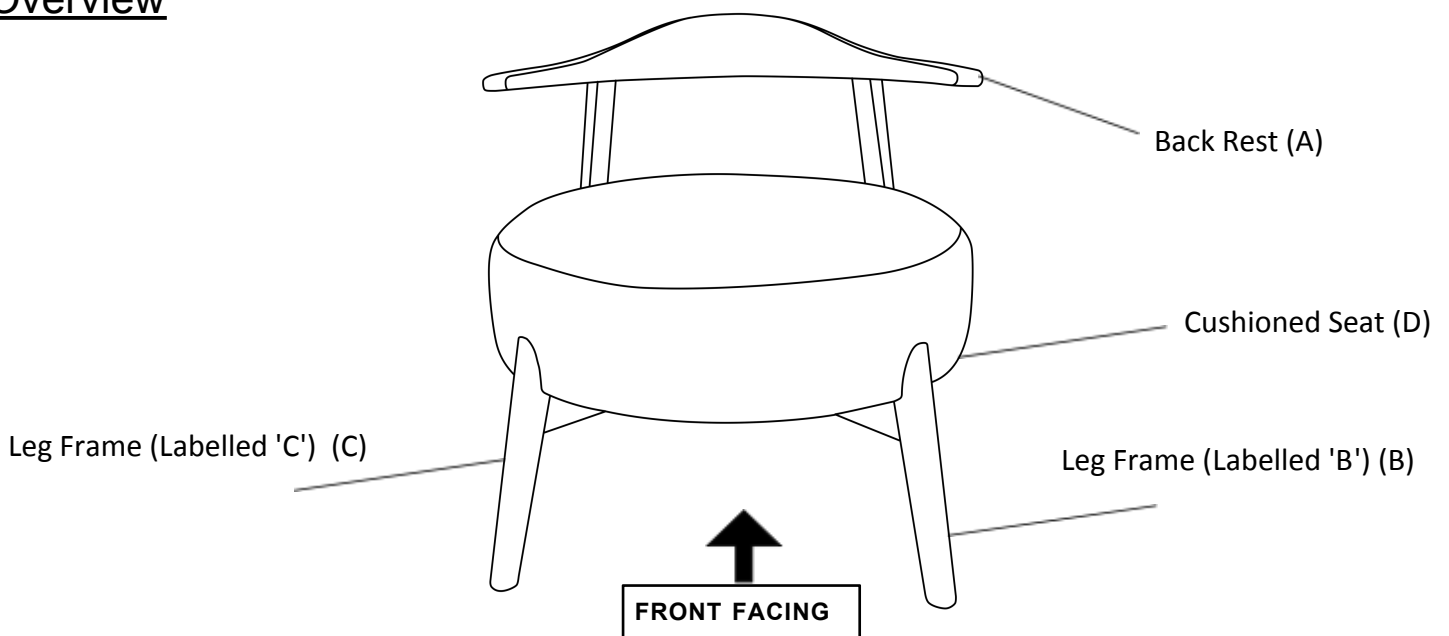
- Assemble on a clean non-marring surface (packing foam)-



- Save all packaging until finished-

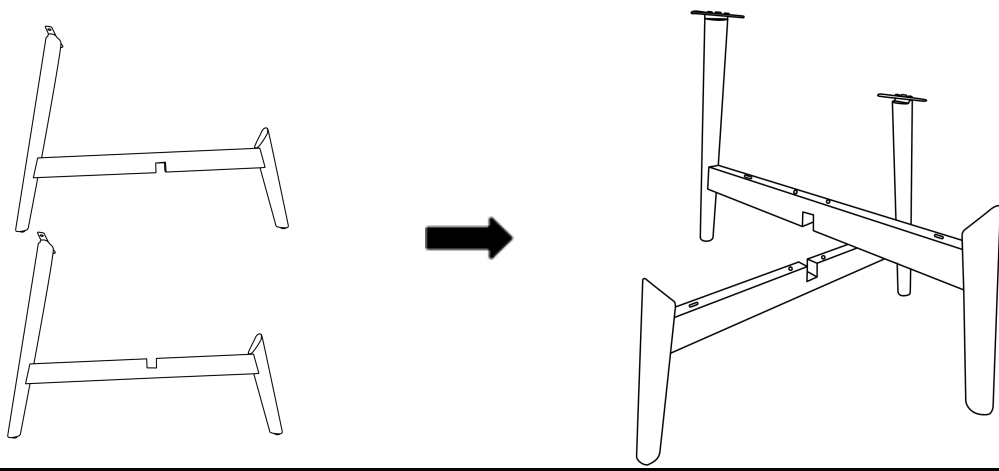
Assembly Steps

Overview



This chair has multiple parts and may require up to some 30 minutes to assemble. To give you an overview of the chair parts, the above picture is to help you put the various parts into perspective. Please read through the instructions below to familiarise yourself with the parts and steps before assembly.

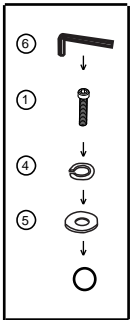
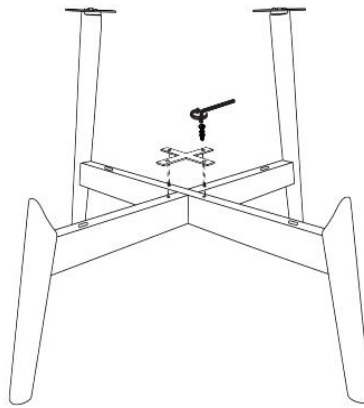
Step 1



Place the Leg Frame (Labelled 'B') (B) and Leg Frame (Labelled 'C') (C) on a clean, non-marring surface with the front facing you, as shown in picture above.

Align them and connect them tightly where slotted.

Step 2



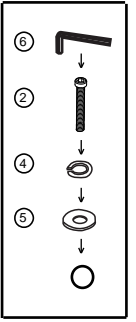
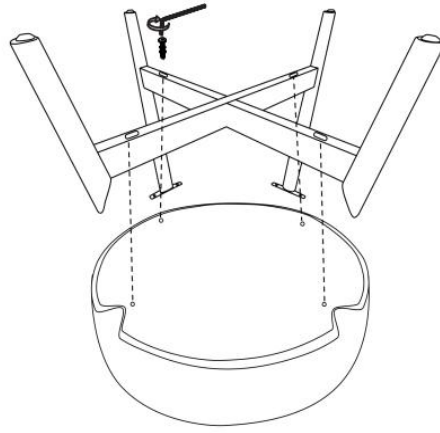
Carefully remove the necessary Hardware from the plastic bag.

Align the Metal Connector(⑦) with the mounting positions on the Leg Frame Parts and attach using Bolts(①), Spring Washers(④) and Washers(⑤) with the Allen Wrench(⑥).

Repeat the same process with the remaining three holes.

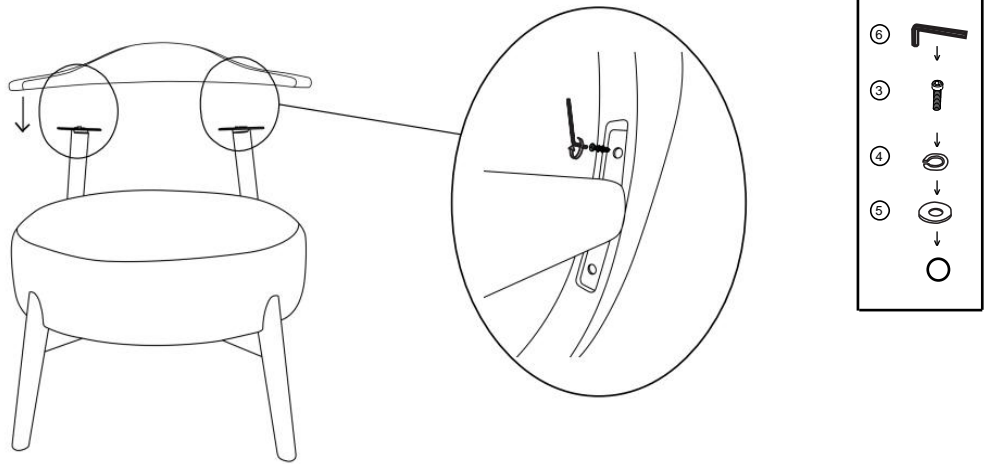
Attention: The Metal Connector(⑦) uses the M6*30MM Bolts(①).

Step 3



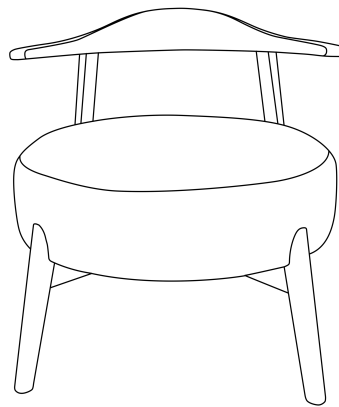
Carefully remove the necessary Hardware from the plastic bag.
Place the Cushioned seat(D) into the mounting positions of the Leg Frame and attach using Bolts(②), Spring Washers(④) and Washers(⑤) with the Allen Wrench(⑥).
Do not fully tighten the Bolts at this time.
Repeat the same process with the remaining three holes.
Attention: Affix the seat using the M6*60MM Bolts(②).

Step 4



Carefully remove the necessary Hardware from the plastic bag.
Align the Backrest(A) with the mounting positions of the frame as shown in the above picture, and attach using Bolts(③), Spring Washers(④) and Washers(⑤) with the Allen Wrench(⑥).
Do not fully tighten the Bolts at this time.
Repeat the same process with all the holes.
Attention: When attaching the Backrest(A) use the M6*20MM Bolts(③).

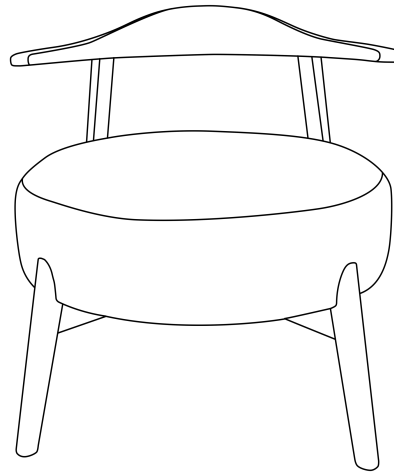
Step 5



Test for Stability

Stand the Chair up.
Place the Chair on a LEVEL SURFACE.
Inspect it and make sure all parts are adequately connected.
Gently and carefully, sit on the Chair.
This will help to align all parts at all joints.
Then proceed to tighten all Bolts at all joints in a sequential manner.
If there are any wobbles after tightening, loosen the Bolts and execute the same process.

Step 6



Your Chair is ready for use.

This Chair can only be used on a flat, level surface.