

WARNING!!

Children have died from furniture tipover.

Tip restraints have been included with this product; you must install the tip restraints according to these instructions in order to minimize the risk of furniture tipping.

If you have any questions about this product or the tip restraint, please send us an email at tip_restraint_help@Noblehousefurniture.com

NEVER allow children to climb or hang on furniture, including drawers or cabinet doors.

In addition to installing the restrains ,to help prevent tipover.

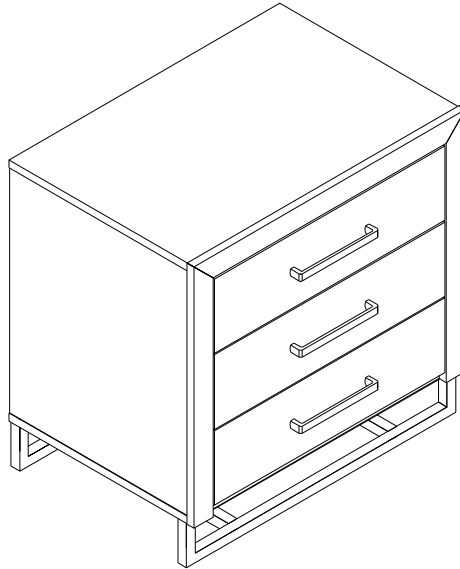
1. **NEVER** put a TV or other heavy objects on top of this product.
2. Do not stand on the product.

 WARNING	
	<p>Children have died from furniture tipover. To reduce the risk of furniture tipover:</p> <ul style="list-style-type: none">• ALWAYS install tipover restraint provided.• NEVER put a TV on this product.• NEVER allow children to stand, climb or hang on drawers, doors, or shelves.• NEVER open more than one drawer at a time.• Place heaviest items in the lowest drawers.• Do not defeat or remove the drawer interlock system.
	<p><i>This is a permanent label. Do not remove!</i></p>

Assembly Instructions

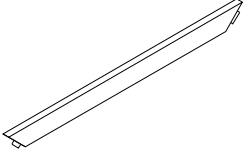


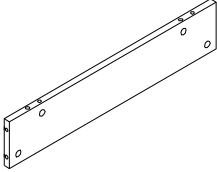
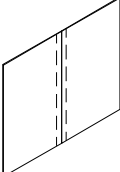
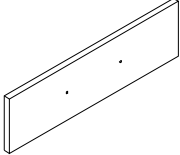
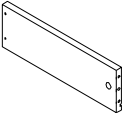
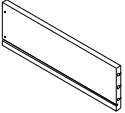
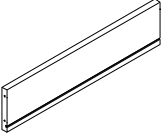
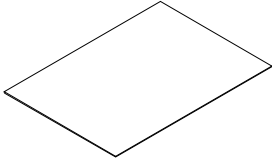
Caution : You must read this before you proceed

3 DRAWER CHEST

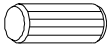




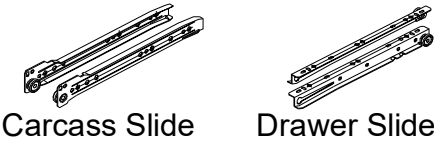


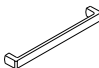
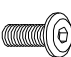

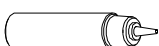

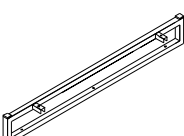


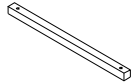
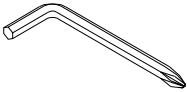
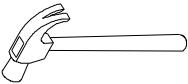
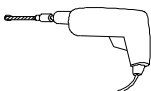



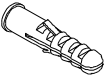

Part List

Label	Picture	Description	QTY
①		Left Side Panel	1
②		Right Side Panel	1
③		Bottom Panel	1
④		Top Panel	1

5		Top Frame	1
6		Left Side Frame	1
7		Right Side Frame	1
8		Support Panel	1
9		Back Panel	1
10		Drawer Front	3
11		Left Drawer Side Panel	3
12		Right Drawer Side Panel	3
13		Drawer Back Panel	3
14		Drawer Panel	3

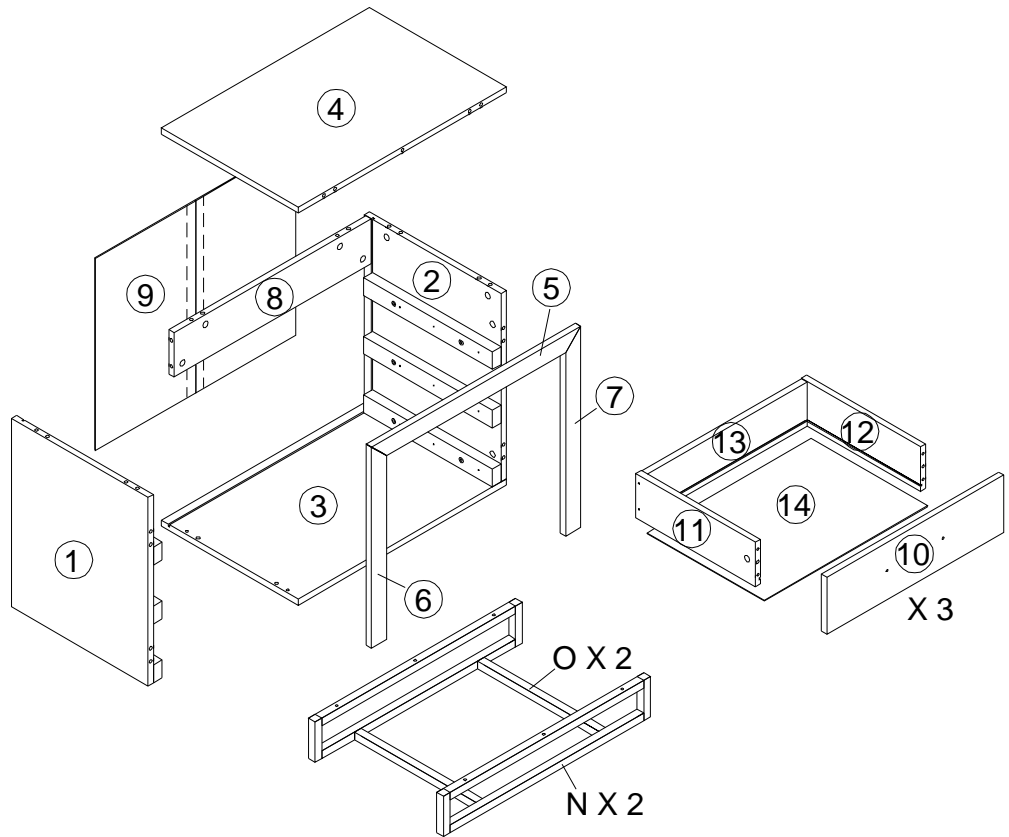
Hardware








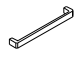
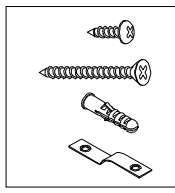



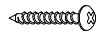
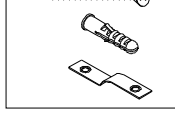

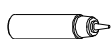
Label	Picture	Description	QTY
A		Wood Dowel M8 x 25mm	31
B		Cam Bolt	22
C		Cam Lock (15/12.5mm)	22
D		Screw M4.5 x 50mm	5
E		Screw M4.5 x 38mm	13
F	 Carcass Slide Drawer Slide	Slide	3
G		Screw M4 x 14mm	43
H		Truss Head Screw M4 x 22mm	7
I		Handle	3
J		Screw JCBC M6 x 10mm	5
K		Screw Pan Head M4 x 30mm	7
L		Glue	2
M		Metal Plate	2
N		Metal Leg	2

O		Metal Leg	2
P		Allen Wrench	1
Q		Hammer (not provided)	1
R		Power Drill (not provided)	1
S		Screwdriver (not provided)	1
Restraint Device Hardware			
T		Screw M3.5 x 12mm	2
		Screw M3.5 x 38mm	2
		Wall Plug	2
		Webbing	2

Assembly Preparation

Before Beginning Assembly:



- | | | | | | |
|---|------|---|------|---|-----|
|  | X 31 |  | X 43 |  | X 2 |
|  | X 22 |  | X 7 |  | X 1 |
|  | X 22 |  | X 3 |  | |
|  | X 5 |  | X 5 | | |
|  | X 13 |  | X 7 |  | |
|  | X 3 |  | X 2 | | |



- Read instructions, cover to cover-



- Have 2 adults on hand for assembly-



- Do not assemble on flooring or carpet-



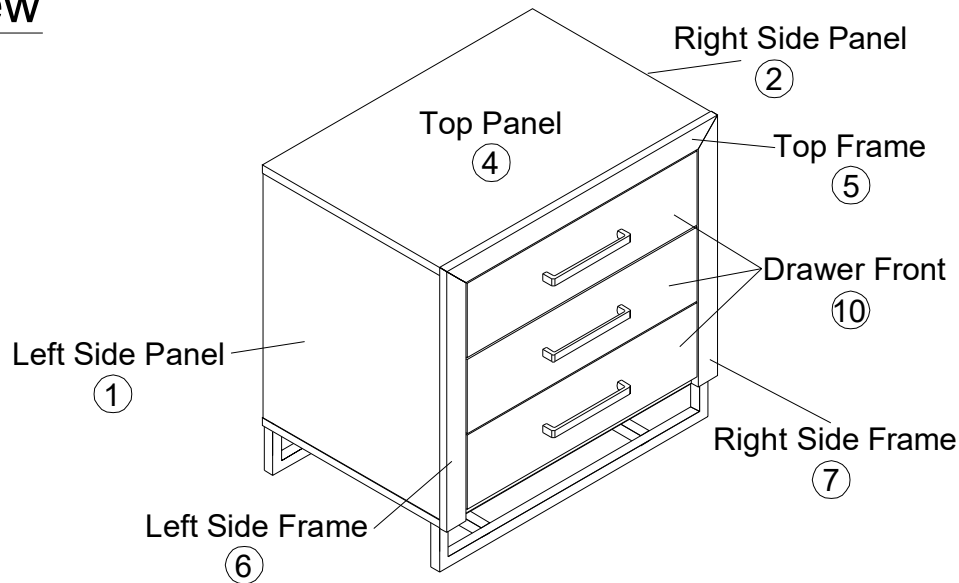
- Assemble on a clean non-marring surface (packing foam)-



- Save all packaging until finished-

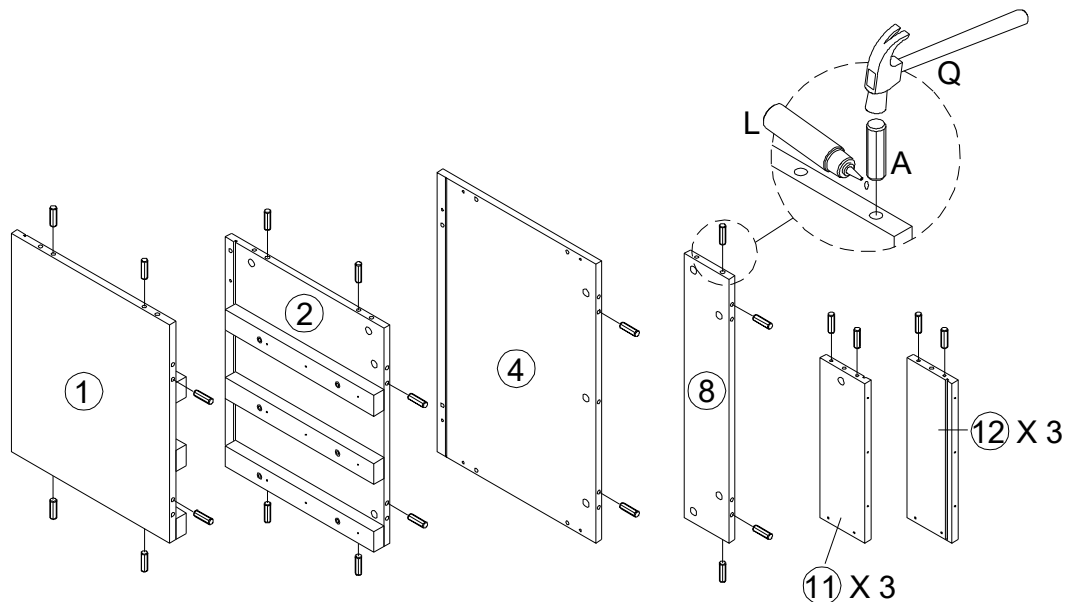
Assembly Steps

Overview



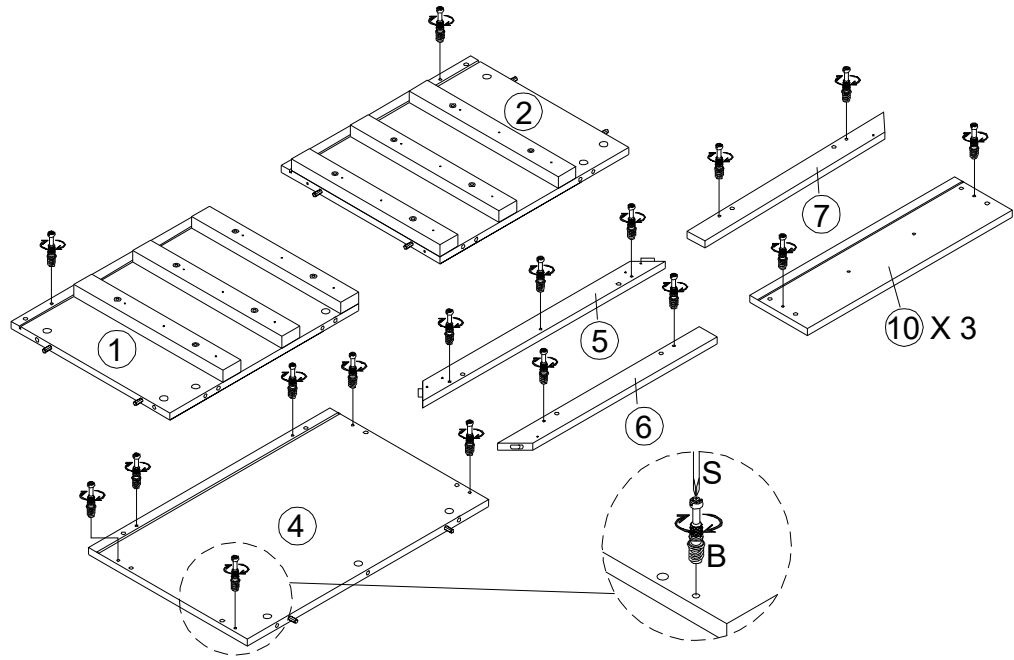
This 3 Drawer Chest has multiple parts and may require up to 60 minutes to assemble. To give you an overview of the 3 Drawer Dresser parts, the above picture is to help you put the various part into perspective. Please read through the instructions below to familiarise yourself with the parts and steps before assembly.

Step 1



Unpack and place all parts on a clean, non-marring surface.
1.1) Apply the Glue (L), and insert the Wood Dowel M8 x 25mm (A) into the Left Side Panel (1), Right Side Panel (2), Top Panel (4), Support Panel (8), Left Drawer Side Panel (11) and Right Drawer Side Panel (12) using the Hammer (Q).
Note: There are pre-existing mounting positions on the panels to insert the Wood Dowels (A).

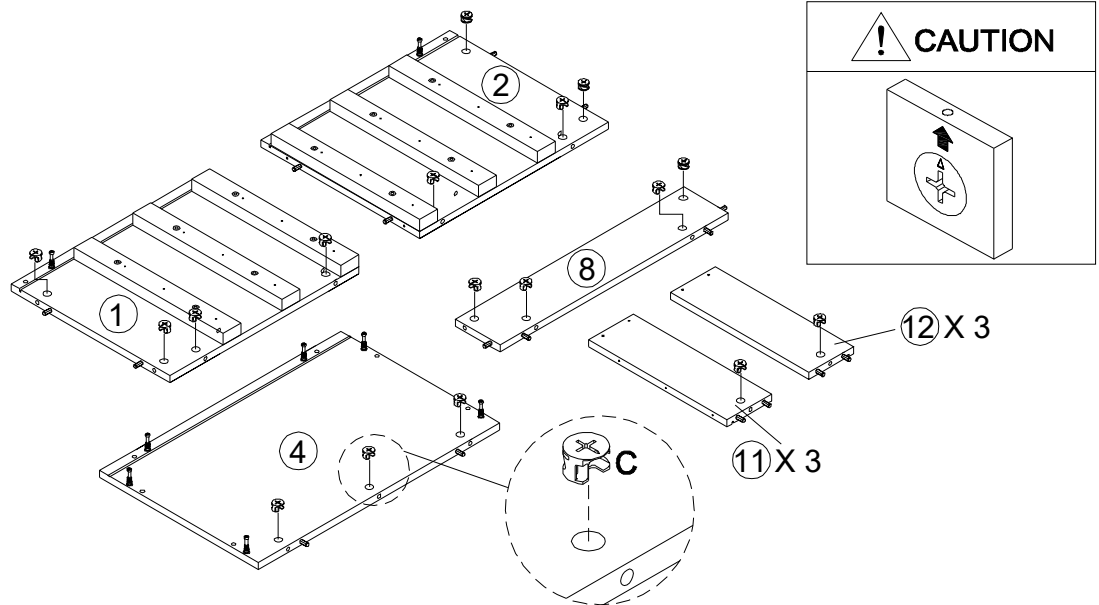
Step 2



2.1) Insert the Cam Bolts (B) into the mounting positions on the Left Side Panel①, Right Side Panel②, Top Panel④, Top Frame⑤, Left Side Frame⑥, Right Side Frame⑦ and Drawer Front ⑩ using the Screwdriver (S).

Note: There are pre-existing mounting positions on the panels to insert the Cam Bolts (B).

Step 3

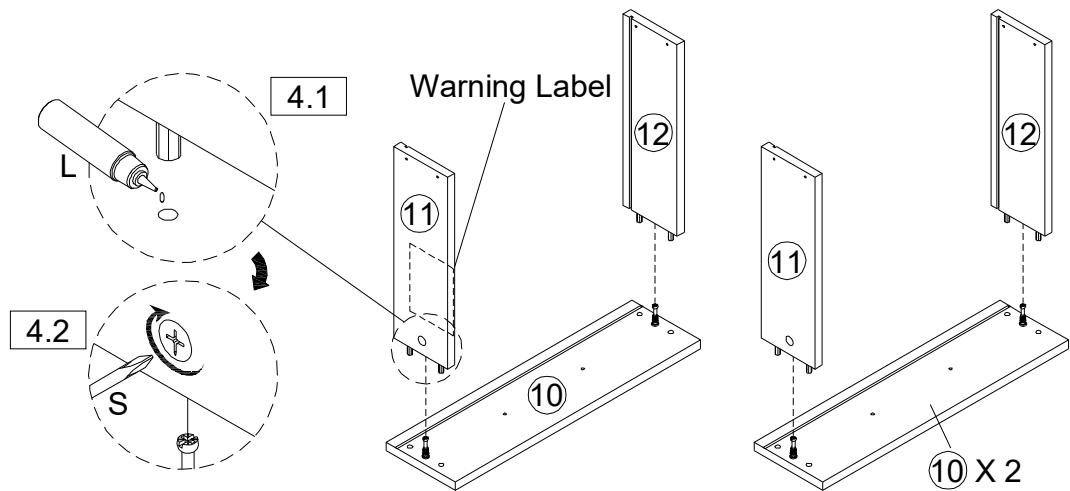


3.1) Insert the Cam Locks (C) into the mounting positions on the Left Side Panel①, Right Side Panel②, Top Panel④, Support Panel⑧, Left Drawer Side Panel ⑪ and Right Drawer Side Panel ⑫.

CAUTION: Insert the Cam Locks (C) per the correct orientation as indicated in the above picture.

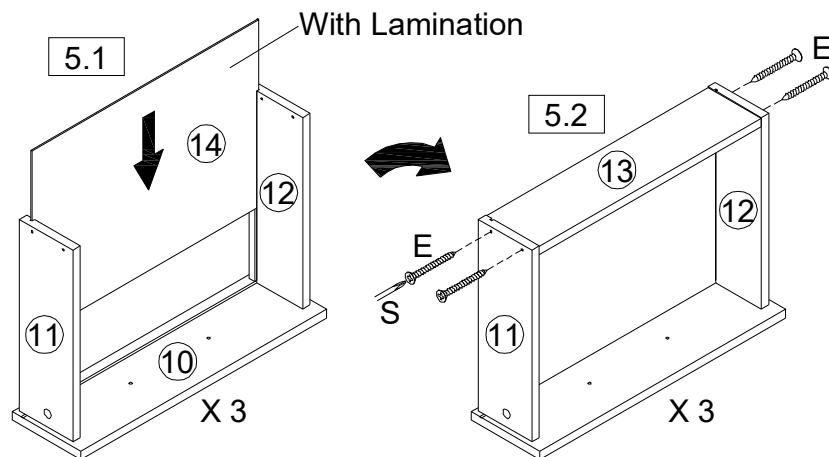
Note: There are pre-existing mounting positions on the panels to insert the Cam Locks (C).

Step 4



- 4.1)** Apply the Glue (L) into the dowel mounting positions on the Drawer Front (10).
Attach the Left Drawer Side Panel (11) and Right Drawer Side Panel (12) to Drawer Front (10).
4.2) Turn the Cam Locks (C) clockwise with the Screwdriver (S) until they all lock into place.

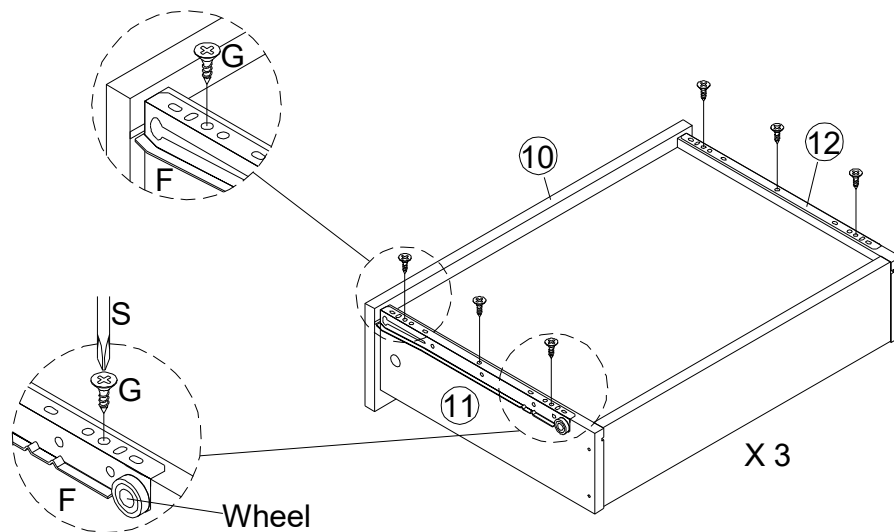
Step 5



- 5.1)** Insert the Drawer Panel (14) along the grooves on the Drawer Front (10), Left Drawer Side Panel (11) and Right Drawer Side Panel (12).
5.2) Attach the Drawer Back Panel (13) using the Screw M4.5 x 38mm (E) with the Screwdriver (S).

Note: There are pre-existing mounting positions on the panels for the Screws M4.5 x 38mm (E).

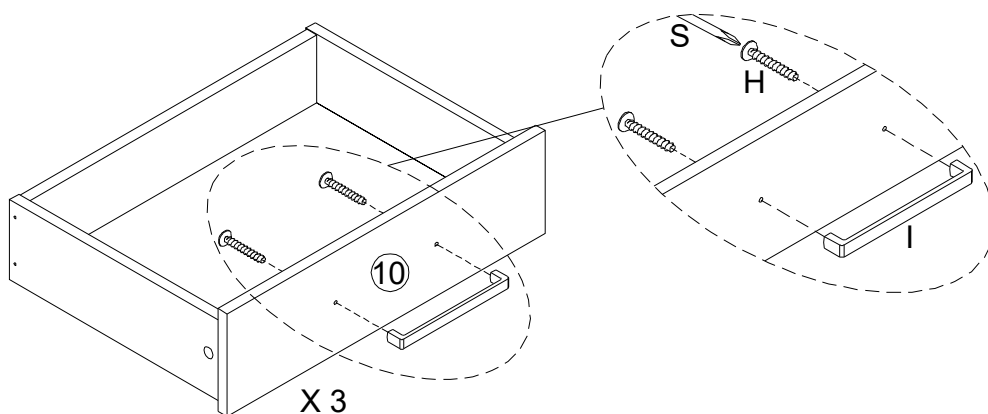
Step 6



6.1) Attach the Left Drawer Slide (F) onto the Left Drawer Side Panel ⑪ and Right Drawer Slide (F) to the Right Drawer Side Panel ⑫ using the Screw M4 x 14mm (G) with the Screwdriver (S).
Caution: Ensure the Drawer Slide (F) touches the Drawer Front Panel ⑩.

Note: There are pre-existing mounting positions on the panels to attach the Drawer Slide (F)

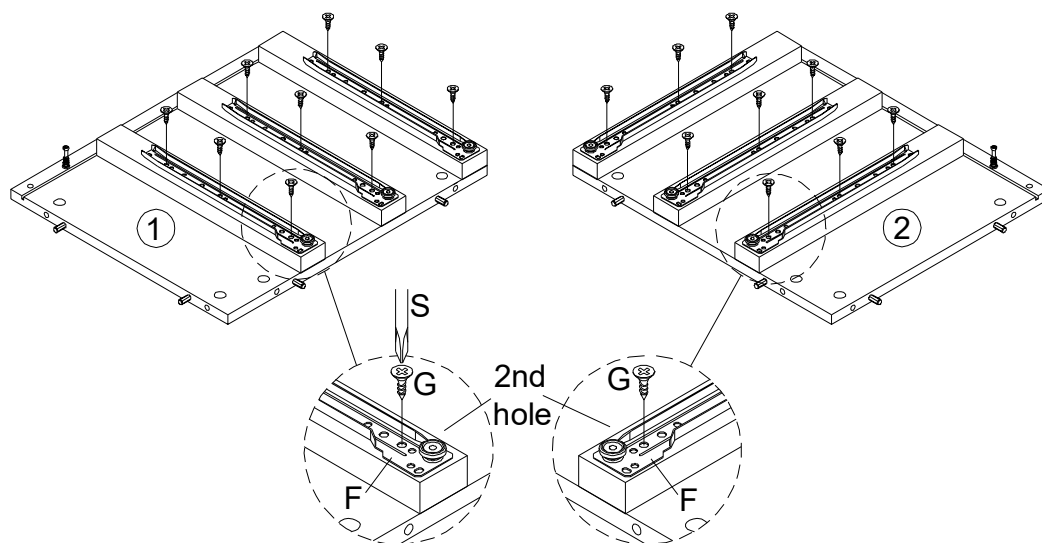
Step 7



7.1) Attach the Handle (I) to the Drawer Front ⑩ using the Truss Head Screw M4 x 22m (H) with the Screwdriver (S).

Note: There are pre-existing mounting positions on the panels to attach the Handles (I).

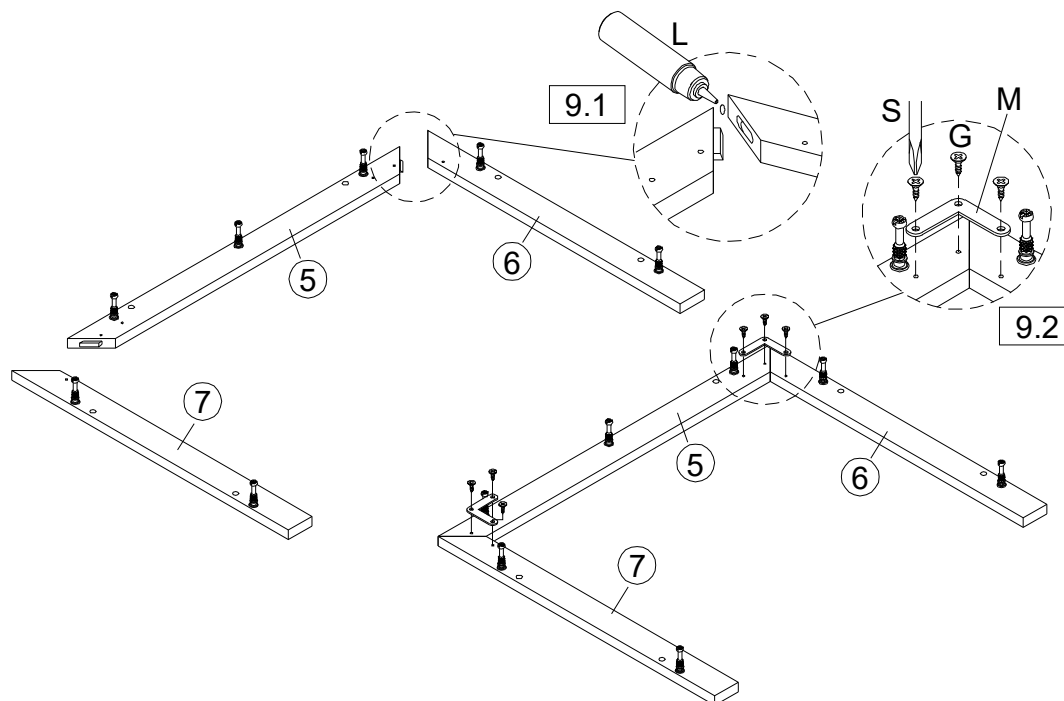
Step 8



8.1) Attach the Left Carcass Slide (F) onto the Left Side Panel ① and the Right Carcass Slide (F) to the Right Side Panel ② using the Screw M4 x 14mm (G) with the Screwdriver (S).

Note: There are pre-existing mounting positions on the panels to attach the Carcass Slide (F).

Step 9

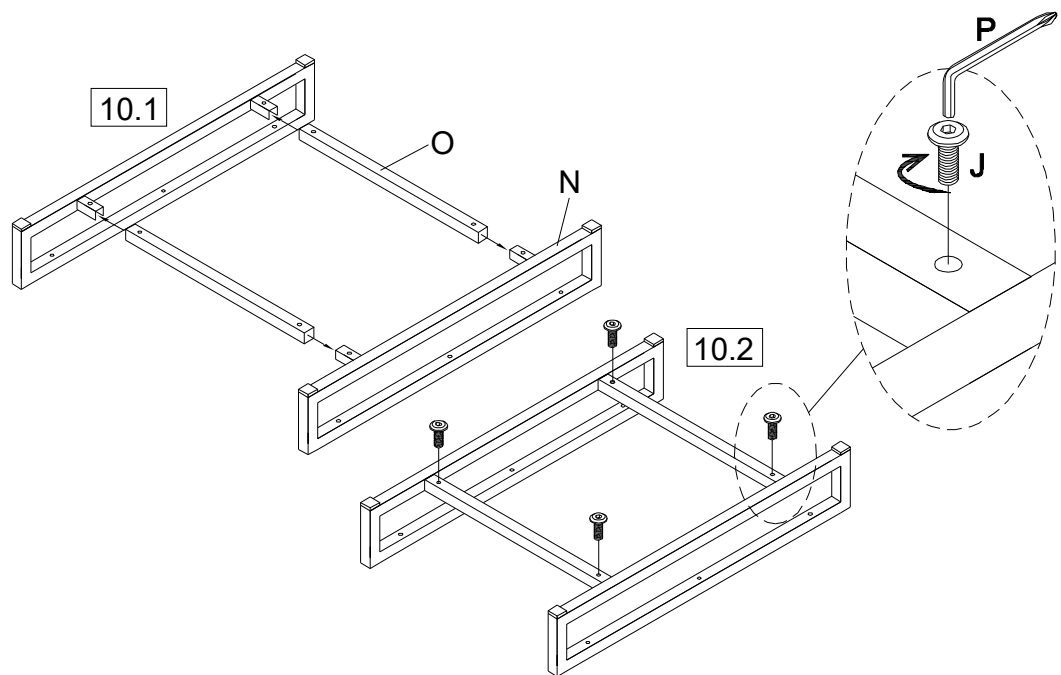


9.1) Apply the Glue (L) into the slot on the Left Side Frame ⑥ and Right Side Frame ⑦. Attach the Left Side Frame ⑥ and Right Side Frame ⑦ to Top Frame ⑤.

9.2) Assemble the Metal Plate (M) using the Screw M4 x 14mm (G) with the Screwdriver (S).

Note: There are pre-existing mounting positions on the panels to attach the Metal Plate (M).

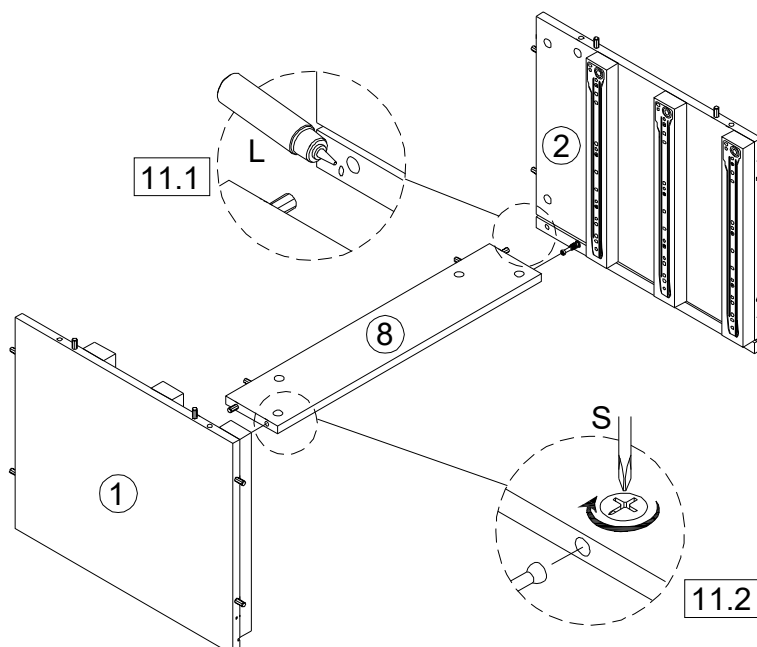
Step 10



10.1) Slot on the Metal Leg (N) to Metal Leg (O).

10.2) Assemble the Metal Leg using the Screw JCBC M6 x 10mm (J) with the Allen Wrench (P).

Step 11

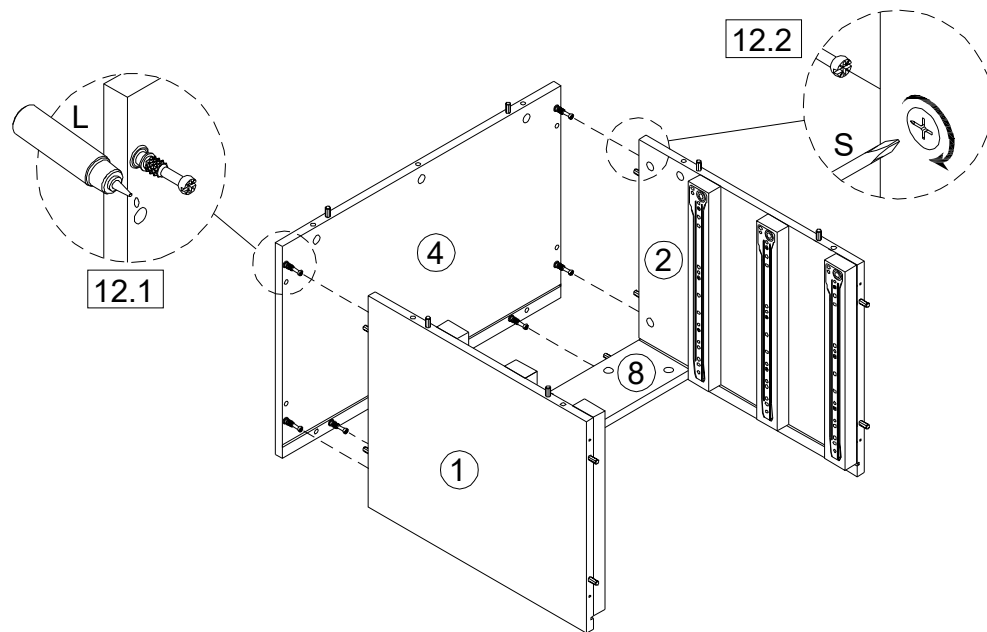


11.1) Apply the Glue (L) into the dowel mounting positions on the Left Side Panel (1) and Right Side Panel (2).

Attach the Left Side Panel (1) and Right Side Panel (2) to the Support Panel (8).

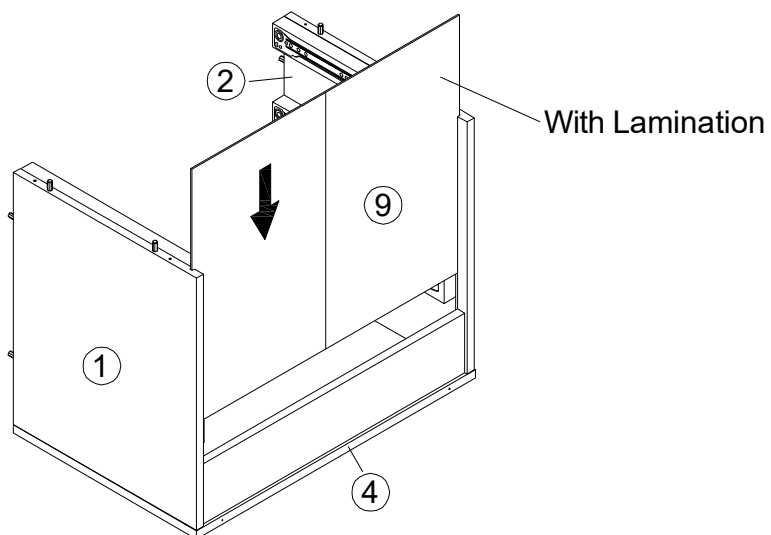
11.2) Turn the Cam Locks (C) clockwise with the Screwdriver (S) until they all lock into place.

Step 12



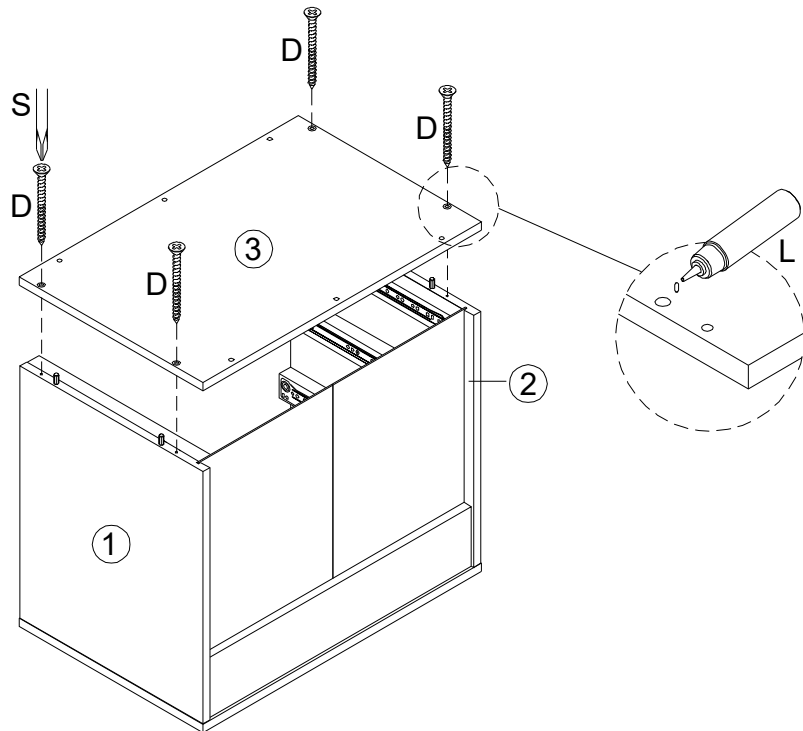
- 12.1)** Apply the Glue (L) into the dowel mounting positions on the Top Panel (4). Attach the Left Side Panel (1), Right Side Panel (2) and Support Panel (8) to Top Panel (4).
12.2) Turn the Cam Locks (C) clockwise with the Screwdriver (S) until they all lock into place.

Step 13



- 13.1)** Insert the Back Panel (9) along the grooves on the Left Side Panel (1), Right Side Panel (2) and Top Panel (4).

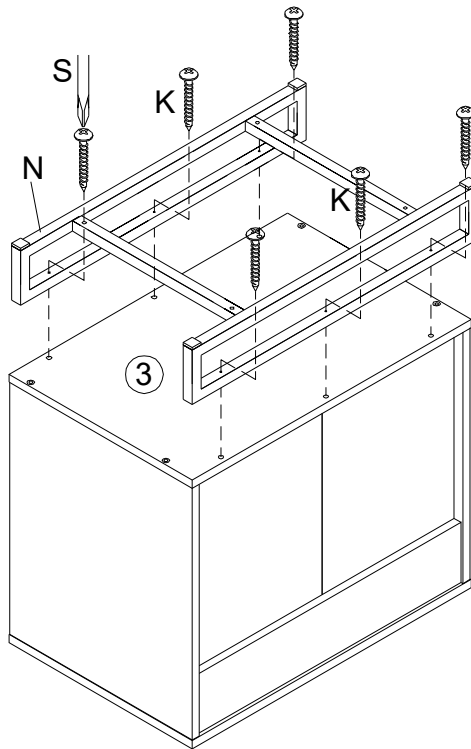
Step 14



14.1) Apply the Glue (L) into the dowel mounting positions on the Bottom Panel (3). Attach the Bottom Panel (3) to Left Side Panel (1) and Right Side Panel (2) using the Screw M4.5 x 50mm (D) with the Screwdriver (S).

Note: There are pre-existing mounting positions on the panel to attach the Screw M4.5 x 50mm (D).

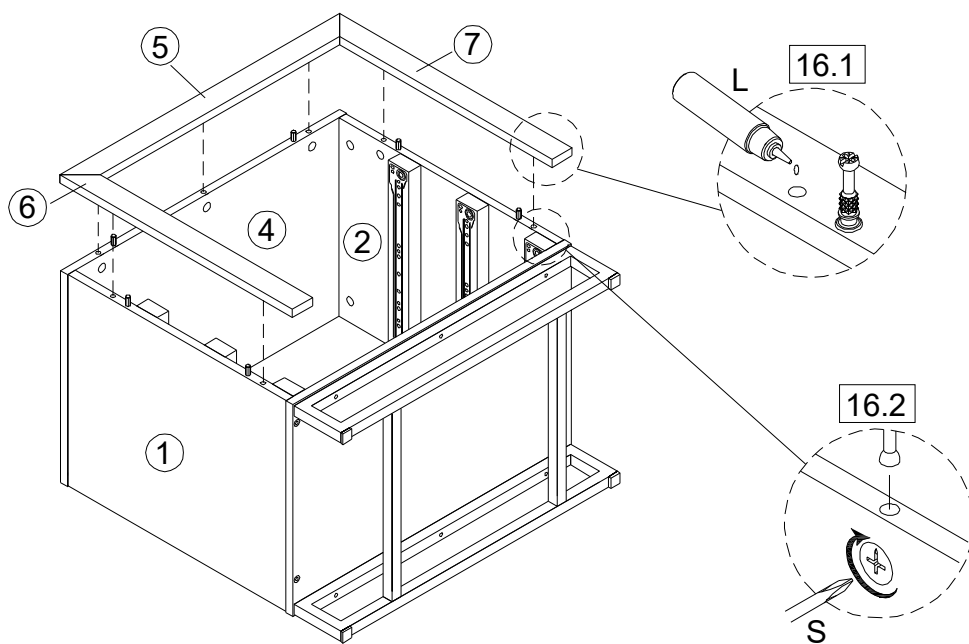
Step 15



15.1) Attach the Metal Leg (N) to the Bottom Panel (3) using the Screw M4 x 30mm (K) with the Screwdriver (S).

Note: There are pre-existing mounting positions on the panel to attach the Screw M4 x 30mm (D).

Step 16

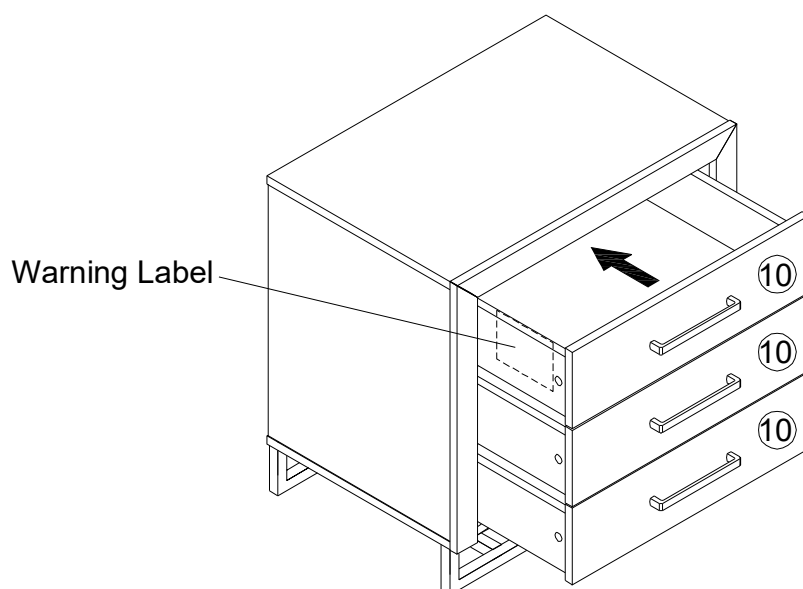


16.1) Apply the Glue (L) into the dowel mounting positions on the Top Frame(5), Left Side Frame(6)and Right Side Frame(7).

Attach the Frame to the Left Side Panel(1), Right Side Panel(2)and Top Panel(4).

16.2) Turn the Cam Locks (C) clockwise with the Screwdriver (S) until they all lock into place.

Step 17



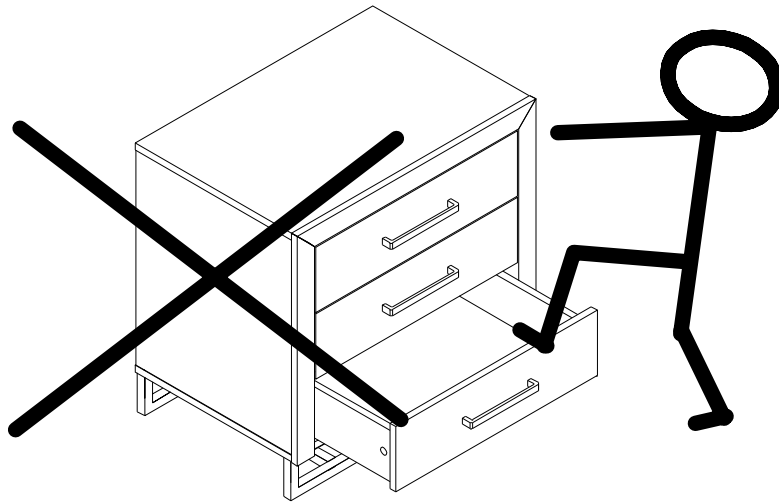
17.1) Insert the Drawers into the 3 Drawer Chest.

Cabinet Restraint Device Installation Instructions



WARNING

Serious or fatal crushing injuries can occur from tipping furniture.
To help prevent tipover: **ALWAYS** secure this furniture to the wall using
Cabinet Restraint Device.
See product instructions for more ways to help prevent furniture tipover.



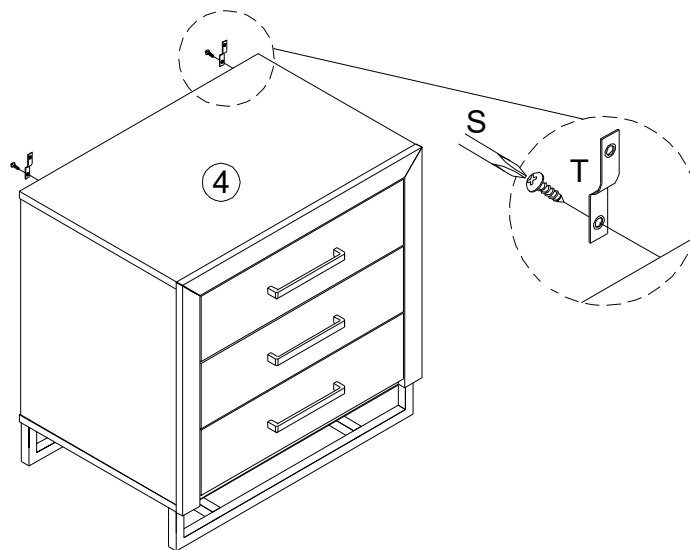
Usage For Restraint Device:

To secure the 3 Drawer Chest against the wall.

Attach the two Webbing from the Hardware Pack (T) on the wall and the product, using screws.

Instructions:

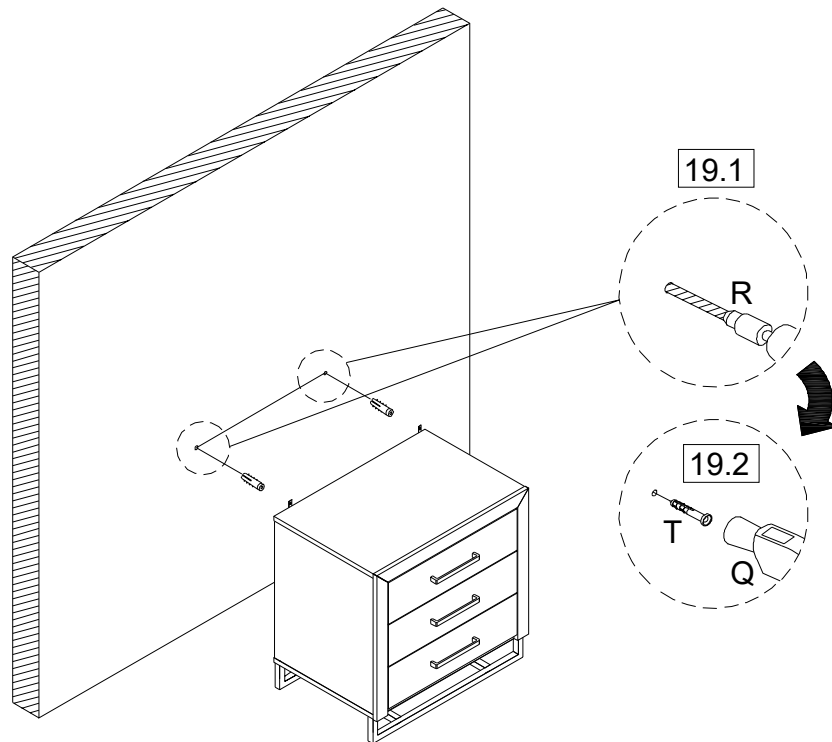
Step 18



18.1) Attach the Webbing (T) to the pre-holes on the back side of Top Panel④ using the Screws M3.5 x 12mm (T) with the Screwdriver (S).

Note: There are pre-existing mounting positions on the panel for the Screws (T).

Step 19

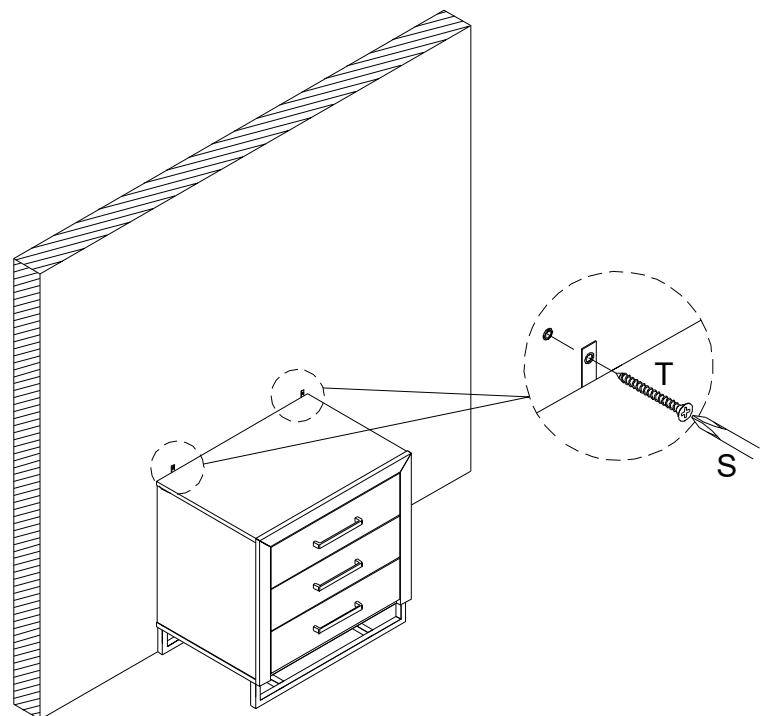


19.1) Drill two holes on the wall at the same height as the Webbing (T) on the 3 Drawer Chest using a Power Drill (R) .

Mark the holes by measuring the height of the Webbing (T) with a ruler/measuring tape and mark on the wall to keep them accurate and at the same height.

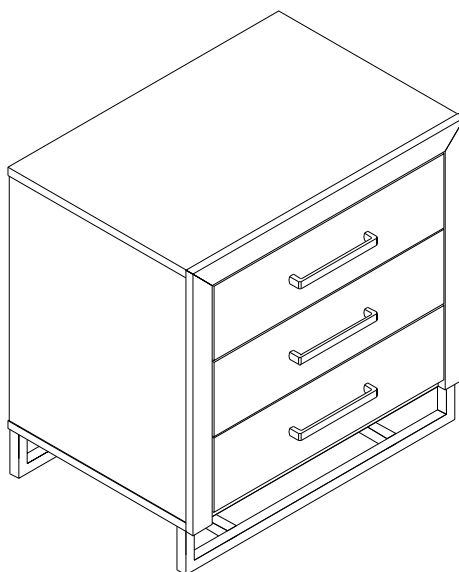
19.2) Insert Wall Plugs (T) into the drilled holes on the wall with the Hammer (Q).

Step 20














20.1) Move the 3 Drawer Chest to the wall, and secure the product using the Screws M3.5 x 38mm (T) and the Screwdriver (S).

Step 21



Your 3 Drawer Chest is ready to be used.
This 3 Drawer Chest can only be used on a flat level surface.

Care & Maintenance

- ✓  • Furniture may scratch floors. We recommend using furniture pads to protect your floors.
- ⊘  • Do not put hot items directly on furniture surface.
- ⊘  • Do not clean furniture with harsh cleansers or polish.
- ⊘  • Do not place furniture under direct sunlight.
- ⊘  • Do not place furniture near heating or cooling vents.
- ⊘  • Do not write on furniture without a padded barrier to protect the surface.
- ⊘  • Do not place furniture outside . For indoor use only.
- ⊘  • Not for commercial use. For residential use only.
- ⊘  • Stains may be removed with mild soap solution and damp cloth.
- ⊘  • Children should not climb or jump on the furniture.
- ✓  • Dust and pick-up spills using a clean, non-colored, lint-free cloth.