

# WARNING!!

Children have died from furniture tipover. Tip restraints have been included with this product; you must install the tip restraints according to these instructions in order to minimize the risk of furniture tipping. If you have any questions about this product or the tip restraint, please send us an email at [tip\\_restraint\\_help@Noblehousefurniture.com](mailto:tip_restraint_help@Noblehousefurniture.com)

**NEVER** allow children to climb or hang on furniture, including drawers or cabinet doors.

In addition to installing the restrains, to help prevent tip-over

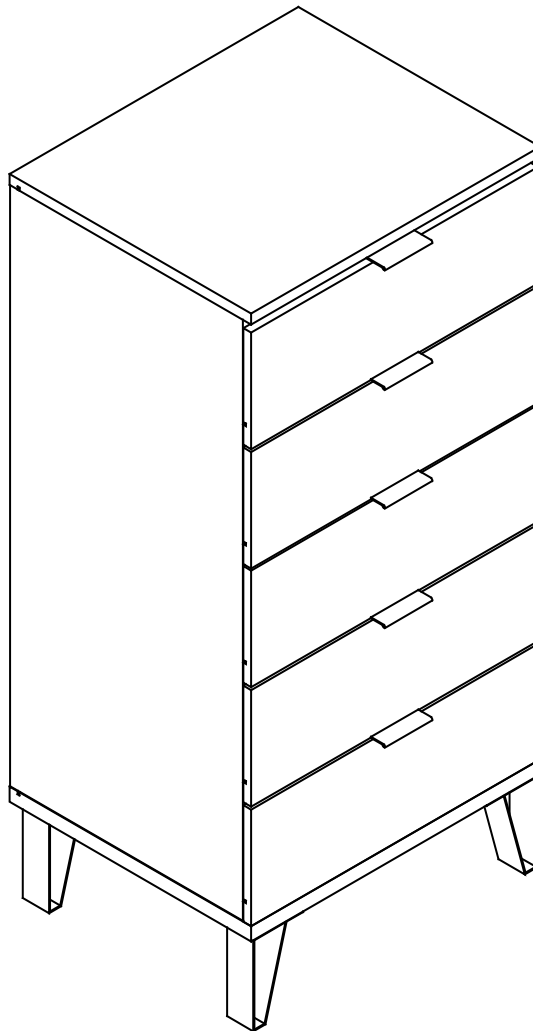
1. **NEVER** put a TV or other heavy objects on top of this product".
2. Do not stand on the product

<b>⚠ WARNING</b>	
	<p>Children have died from furniture tipover. To reduce the risk of furniture tipover:</p> <ul style="list-style-type: none"><li>• ALWAYS install tipover restraint provided.</li><li>• NEVER put a TV on this product.</li><li>• NEVER allow children to stand, climb or hang on drawers, doors, or shelves.</li><li>• NEVER open more than one drawer at a time.</li><li>• Place heaviest items in the lowest drawers.</li><li>• Do not defeat or remove the drawer interlock system.</li></ul> <p><i>This is a permanent label. Do not remove!</i></p>
	

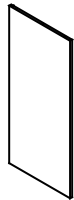

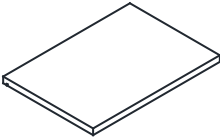
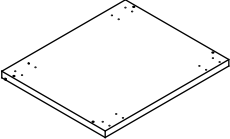
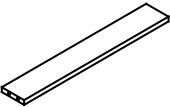
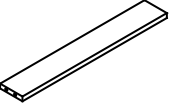
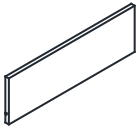
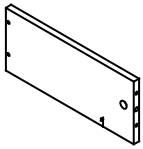
# Assembly Instructions

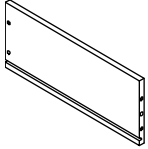
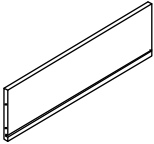
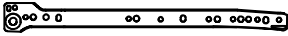
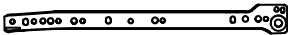

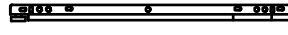
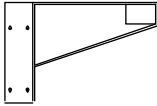
**Caution: You must read this before you proceed**

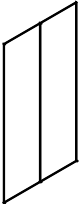
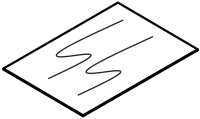
## **5 Drawer Chest**










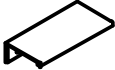



# Parts List


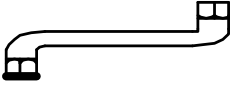


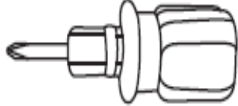
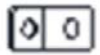



Labe	Picture	Description	QTY
A		Side Panel Left	1
B		Side Panel Right	1
C		Top Panel	1
D		Bottom Panel	1
E		Support Panel Upper	1
F		Support Panel Lower	1
G		Drawer Front	5
H		Drawer Side Left	5

I		Drawer Side Right	5
J		Drawer Back	5
K		Drawer Slide (CL)(350mm)	5
L		Drawer Slide (CR)(350mm)	5
M		Drawer Slide (DL)(350mm)	5
N		Drawer Slide (DR)(350mm)	5
O		Metal Leg (150mm)	4

Y		Back Panel	1
Z		Drawer Bottom (1S)	5

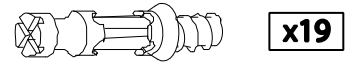
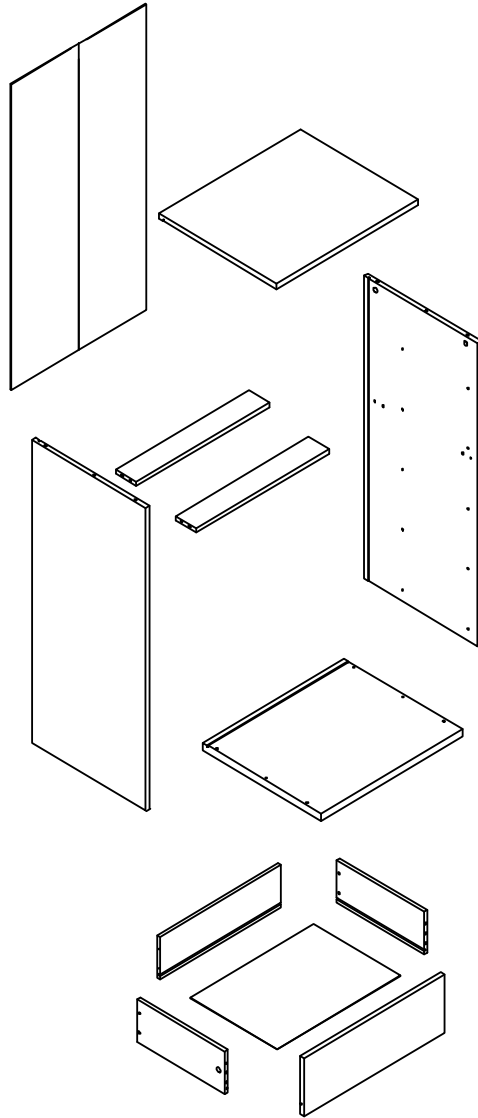
# Hardware

Label	Picture	Description	QTY
①		Cam Bolt	19
②		Cam Lock (12/15)	9
③		Cam Lock (9/15)	11
④		Wood Dowel (D6x30mm)	29
⑤		Csk Screw (M3.5x15mm)	49
⑥		Euro Screw (M6x9mm)	21
⑦		Csk Screw (M4.7x38mm)	21
⑧		L-Shape Handle	5
⑨		Unitar Screw (M6.3x40mm)	5
⑩		Backply Stopper	8
⑪		Csk Screw (M3.1x20mm)	8

⑫		Nail Pin	5
⑬		Allen Wrench (M4)	1
⑭		Power Drill (not provided)	1
⑮		Hammer(not provided)	1
⑯		Screwdriver(not provided)	1
<b>Tipover Restraint Device Hardware</b>			
⑰		Metal Bracket	4
⑱		Wall Plug (25mm)	2
⑲		Pan Head Screw (M4 x 25)	2
⑳		Tipover Restraint Strap	2

# Assembly Preparation

Before Beginning Assembly:



x19



x5



x21



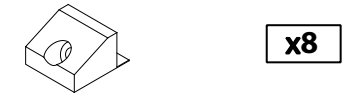
x21



x49



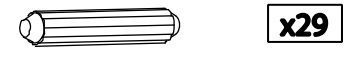
x8



x8



x5



x29



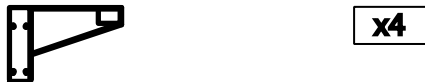
x5



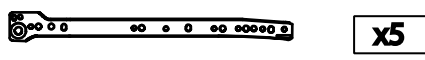
x9



x11



x4



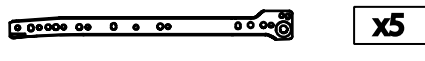
x5



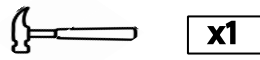
x1



x4



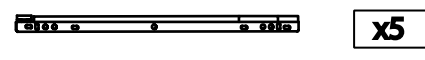
x5



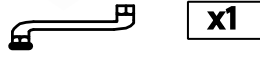
x1



x2



x5



x1



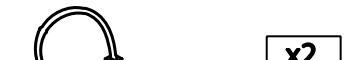
x2



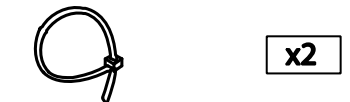
x5



x1



x2



x2



• Read instructions, cover to cover-



• Have 2 adults on hand for assembly-



• Do not assemble on flooring or carpet-



• Assemble on a clean non-marring surface (packing foam)-

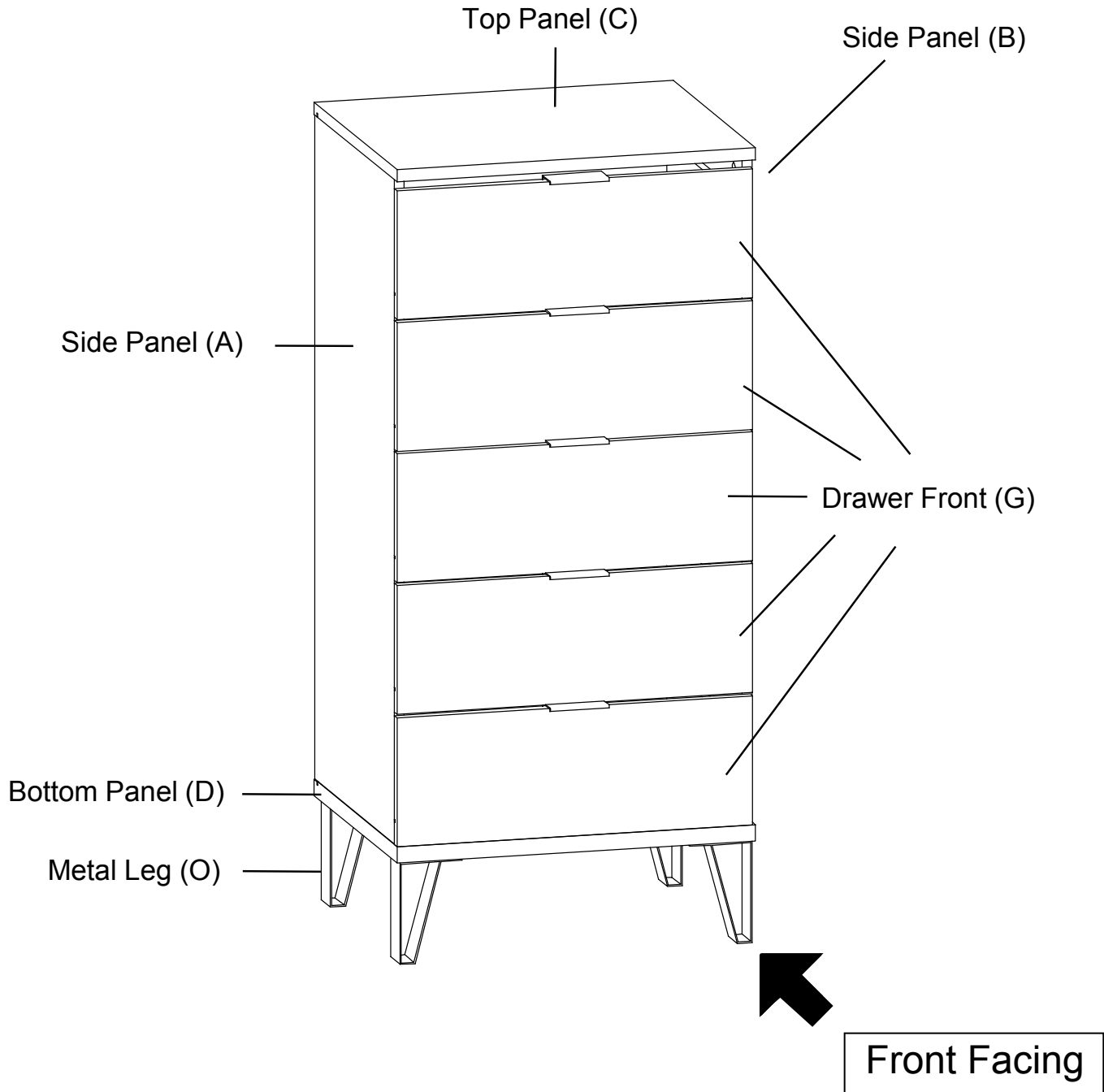


• Save all packaging until finished-



# Assembly Steps

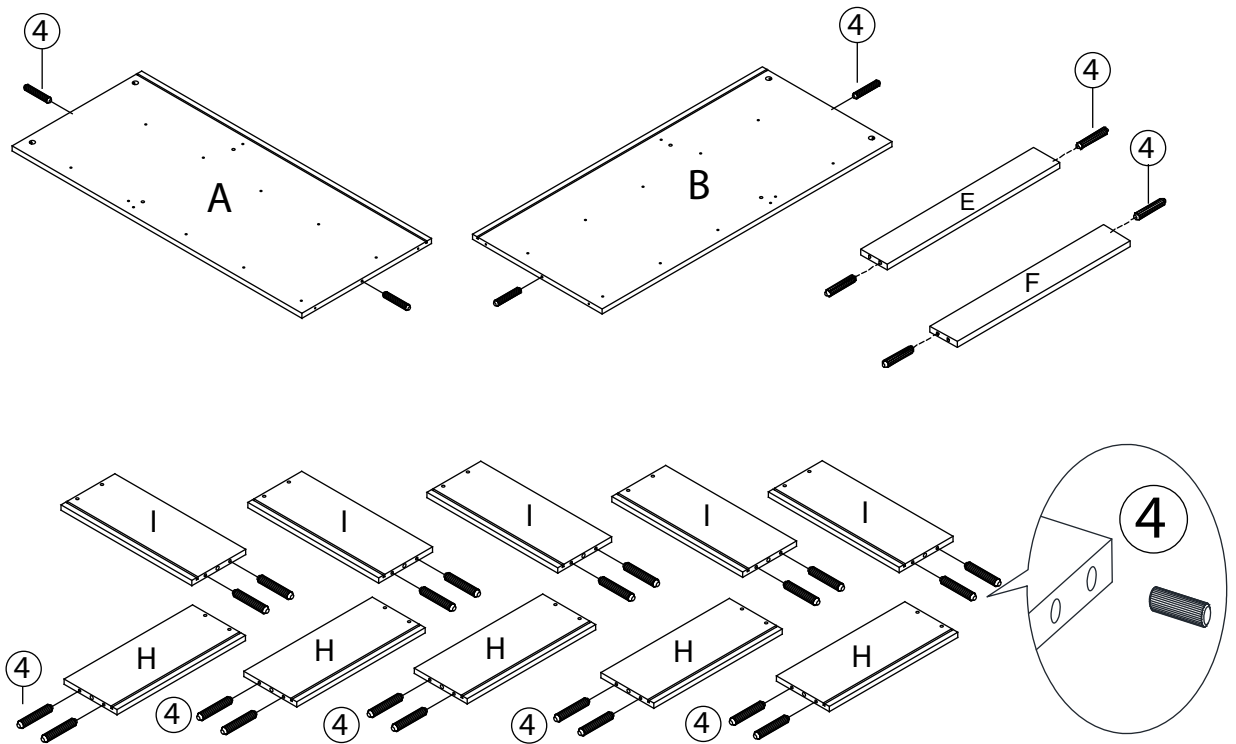
## Overview



This Drawer Chest has multiple parts and may require up to 60 minutes to assemble. To give you an overview of the Drawer Chest parts, the above picture is to help you put the various parts into perspective. Please read through the instructions below to familiarise yourself with the parts and steps before assembly.

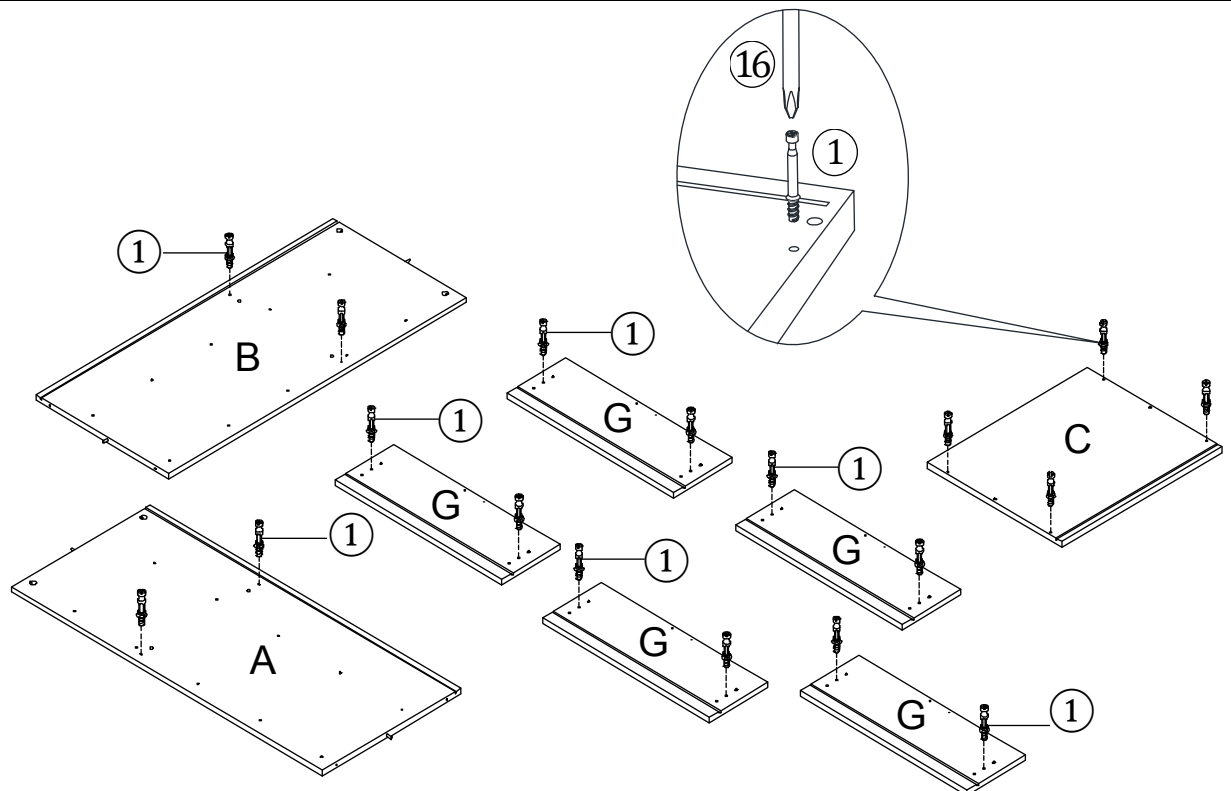
# Assembly Steps

## Step 1



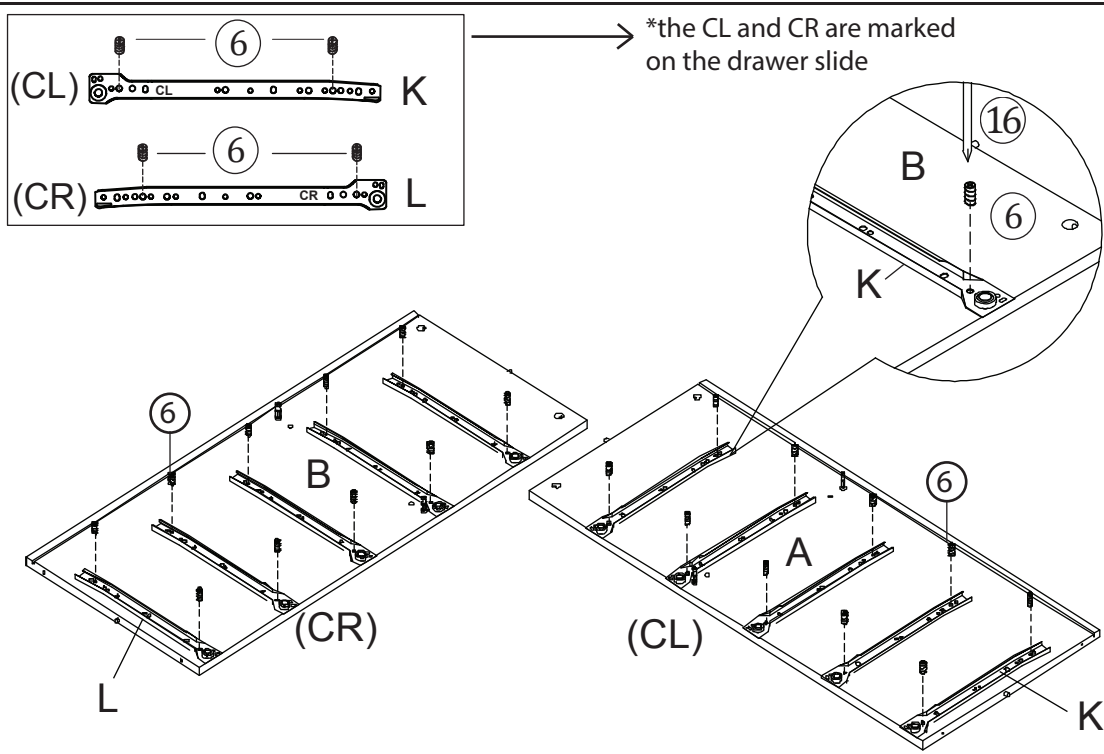
Unpack and place all parts on a clean, non-marring surface. Insert the positioning Dowels (④) into the mounting positions on the Side Panel (A), Side Panel (B) and Support Panel (E), Support Panel (F), Drawer Side Left (H), Drawer Side Right (I).

## Step 2



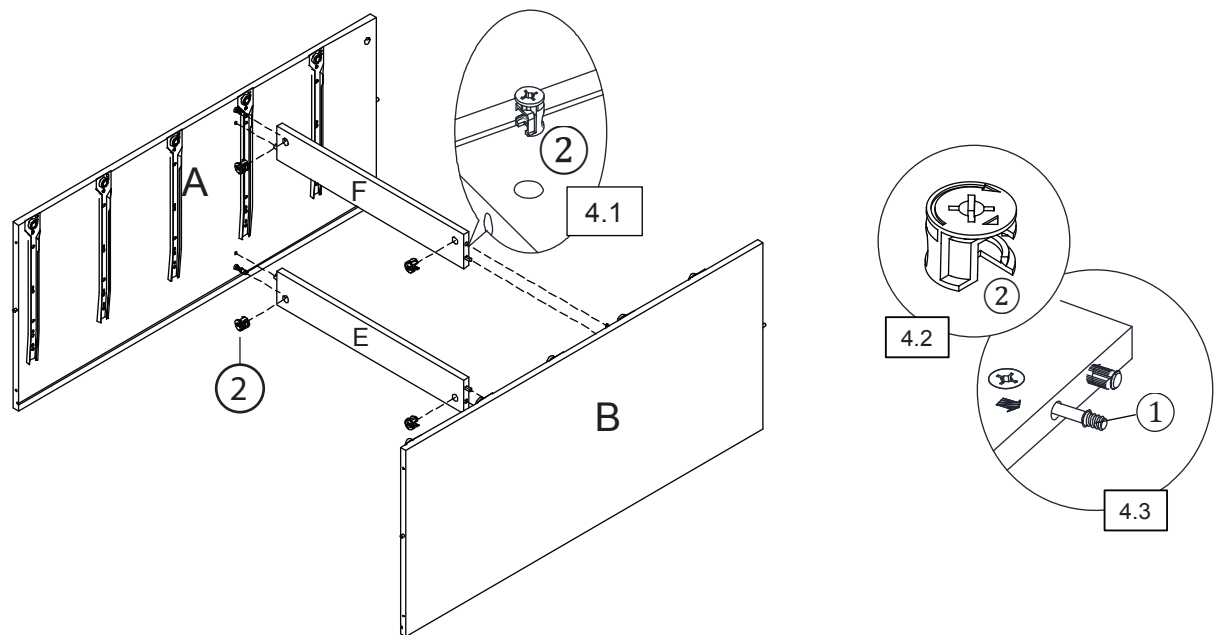
Attach the Cam Bolts (①) into the mounting positions on the Side Panel (A), Side panel (B), Top Panel (C) and Drawer Front (G) with the screwdriver (⑯).

### Step 3



Attach Drawer Slide CL (K) to the Side Panel (A) and attach Drawer Slide CR (L) to Side Panel (B). Then, use Euro Screws (6) to screw the Drawer Slides onto the Side Panels.

### Step 4



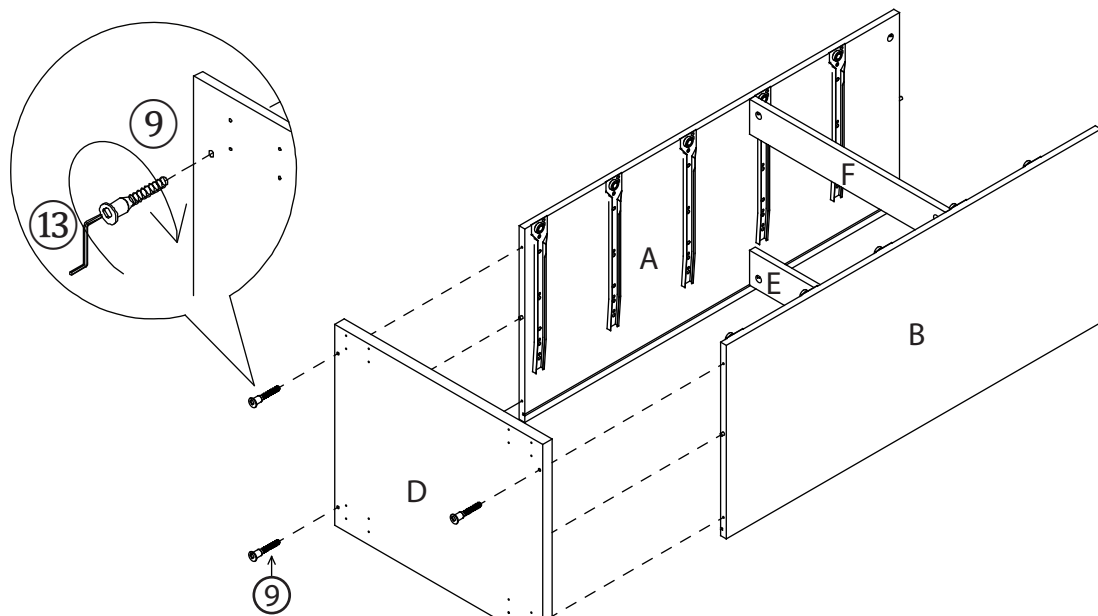
4.1) Insert Cam Locks(2) into the mounting positions on the Support Panel (E) and Support Panel (F) by hand.

4.2) Position the Cam Locks arrow(2) so it is directed towards the hole where the Cam Bolt (1) will be inserted.

4.3) Insert the Cam Bolts (1) to attach Side Panel (A) and Side Panel (B) to the mounting positions of Support Panel (E) and Support panel (F) on both sides. Then, position the Cam Locks (2) arrow again away from the direction of the hole, using a Screwdriver (16).

**Tighten the Screws fully in a sequential manner**

## Step 5

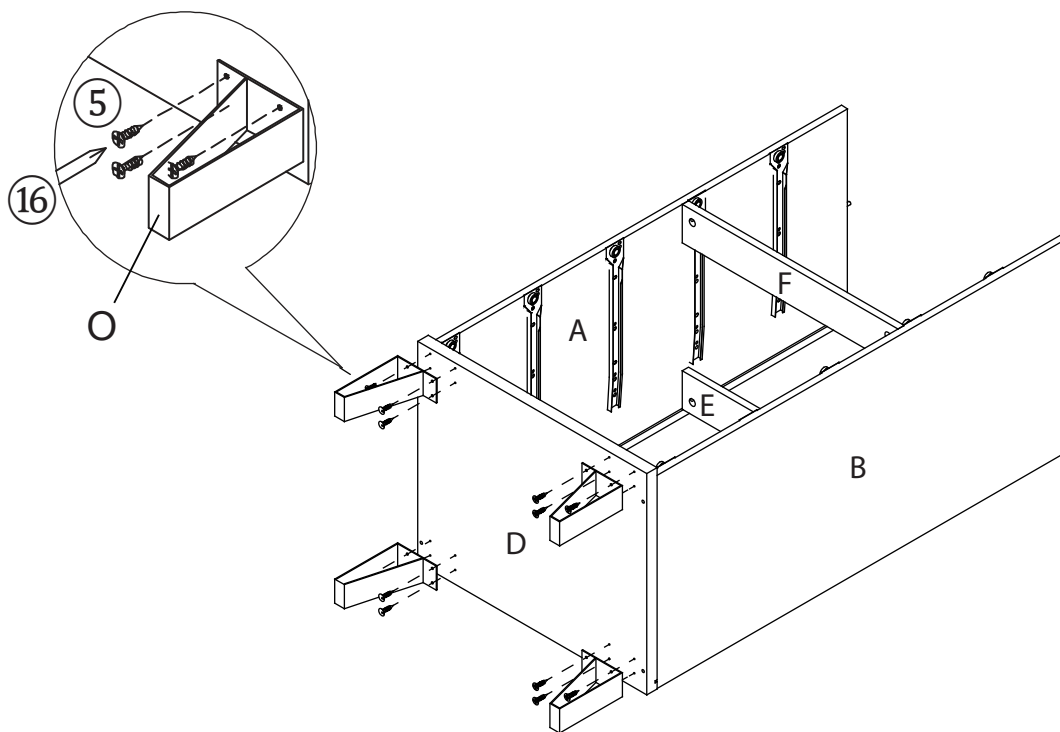


\*Reminder : The Panel D groove must align with panel A and B.

**Make sure all panels which have grooves are facing each other**

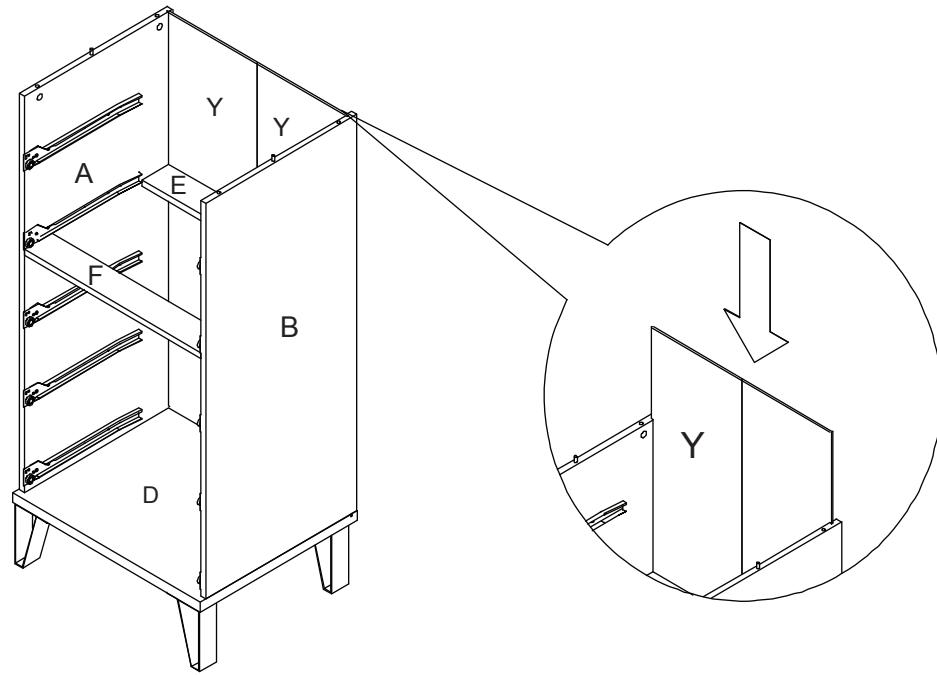
Attach the Bottom Panel (D) to the Panel (A) and Panel (B) using the Unitar Screws (9) and the Allen Wrench (13).

## Step 6



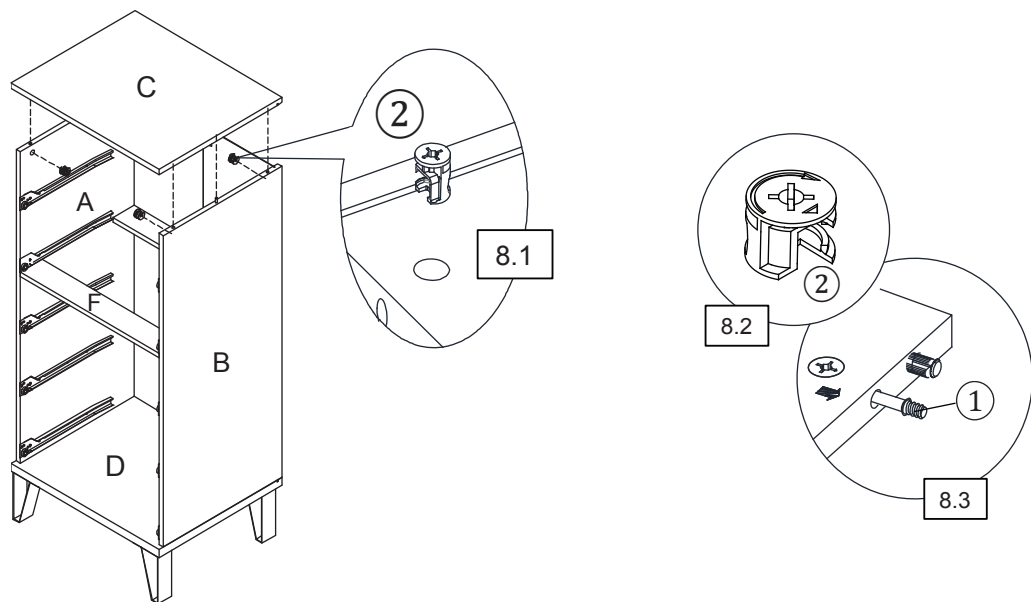
Follow the preholes at the Bottom Panel (D), then attach the Metal Legs (O) by screwing in four Csk Screws (5) using the the Screwdriver (16).

## Step 7



Insert the Back Panel (Y) along the slot on the Side Panel (A) and Side Panel (B).

## Step 8



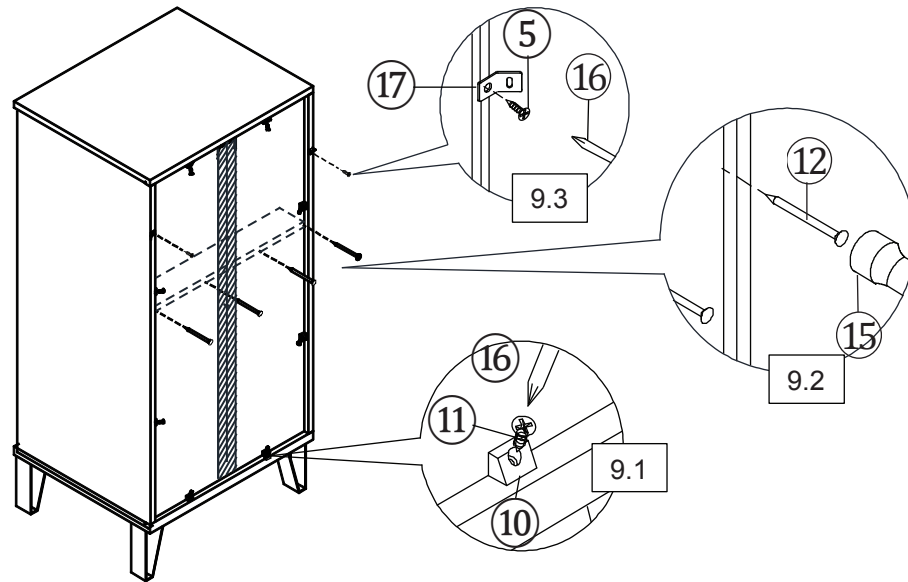
8.1) Insert the Cam Locks (②) into the mounting positions on the Side Panel (A) and Side Panel (B) by hand.

8.2) Position the Cam Locks arrow (②) so it is directed towards the hole where the Cam Bolts (①) will be inserted.

8.3) Insert the Cam Bolts (①) that attach at the Top Panel (C) to the mounting positions on Side Panel (A) and Side Panel (B) on both sides. Then, position the Cam Locks (②) arrow again away from the direction of the hole, using a Screwdriver (⑯).

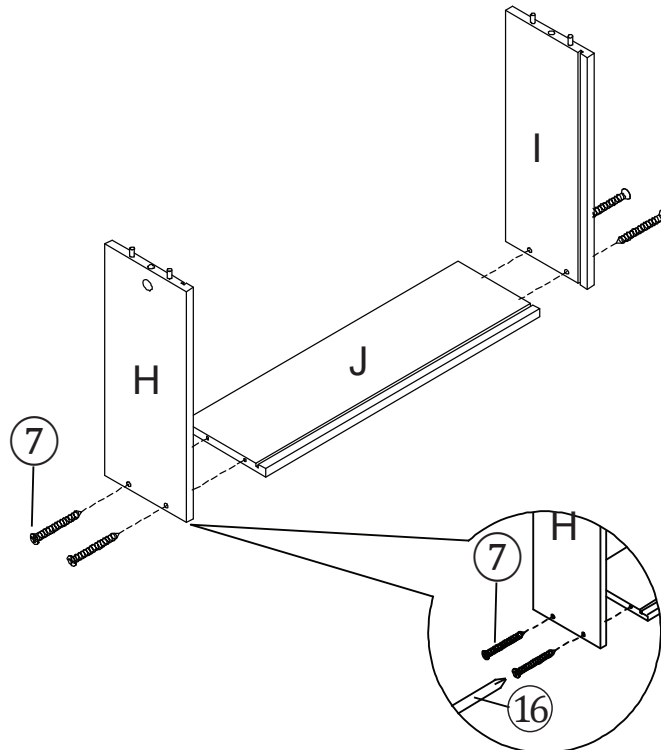
**Tighten the Screws fully in a sequential manner**

## Step 9



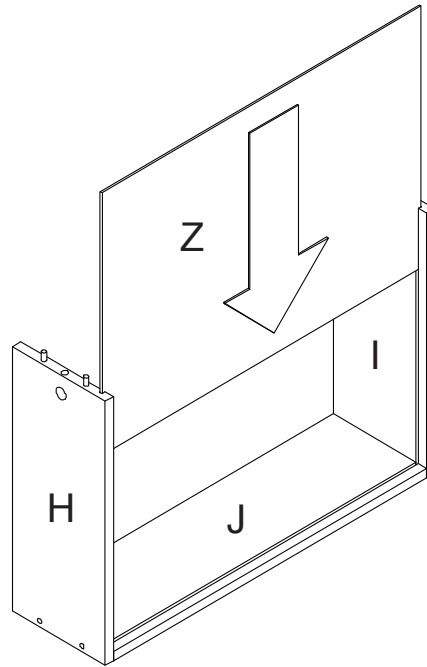
- 9.1) Attach Backply Stoppers ((10)) to the Back Panel (Y) using Csk Screw ((11))
- 9.2) Hammer the Nail Pins ((12)) into the Back Panel (Y) to secure the position, using the Hammer ((15)).
- 9.3) Attach Metal Brackets ((17)) to the edge of the prehole on Side panel (A) and (B) using Csk Screws ((5)) and the Screwdriver ((16)).

## Step 10



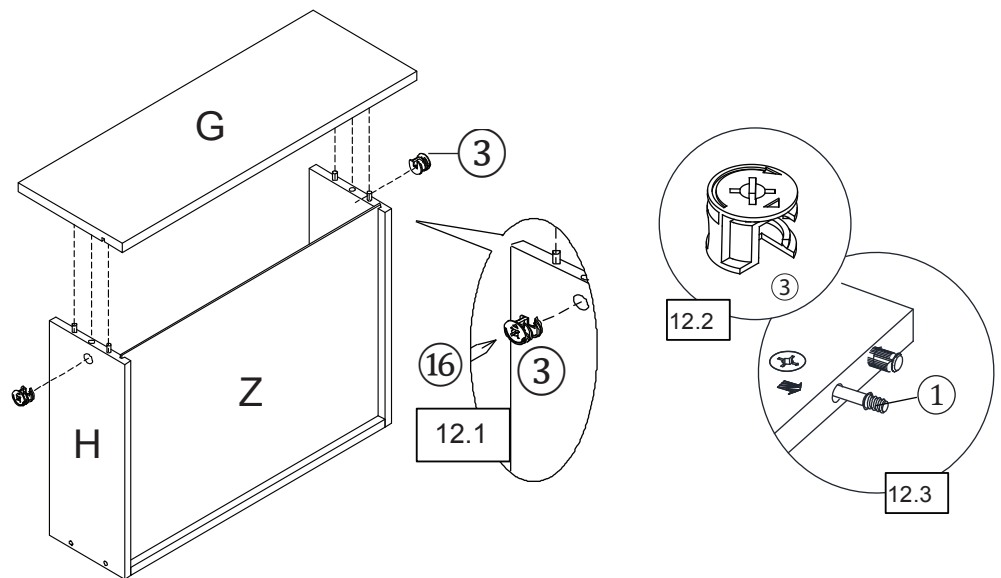
Attach the Drawer Side Right (I) and the Drawer Side Left (H) to drawer back using Csk Screws ((7)).

## Step 11



Insert the Drawer Bottom (Z) along the slot on the Drawer Side Right (I) and Drawer Side Left (H).

## Step 12



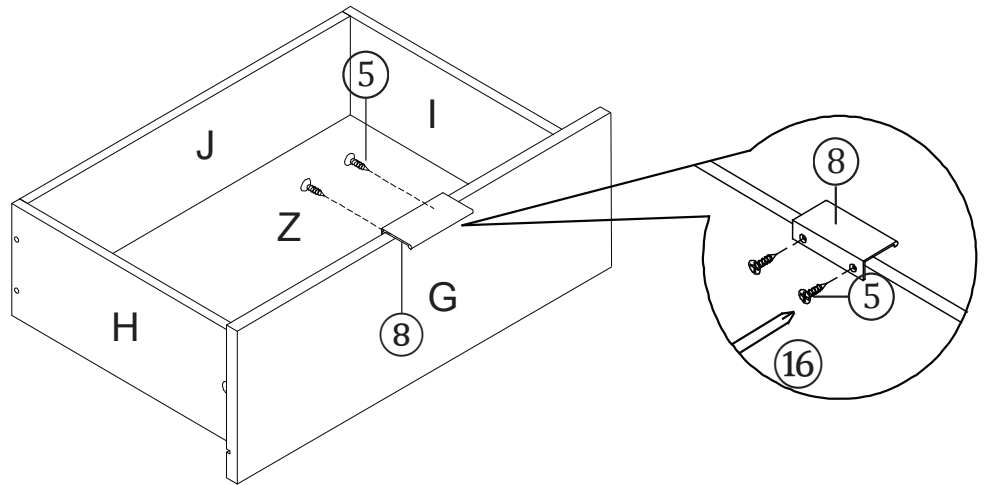
12.1) Insert Cam Locks(③) into the mounting positions on the Drawer Side Right (I) and Drawer Side Left (H) by hand.

12.2) Position the Cam Locks arrow (③) so it is directed towards the hole where the Cam Bolts (①) will be inserted.

12.3) Insert the Cam Bolts (①) that attach at Drawer Front (G) to the mounting positions on Drawer Side Side Right (I) and Drawer Slide Left (H) on both Sides. Then, position the Cam Locks (③) arrow again away from the direction of the hole, using a Screwdriver (⑯).

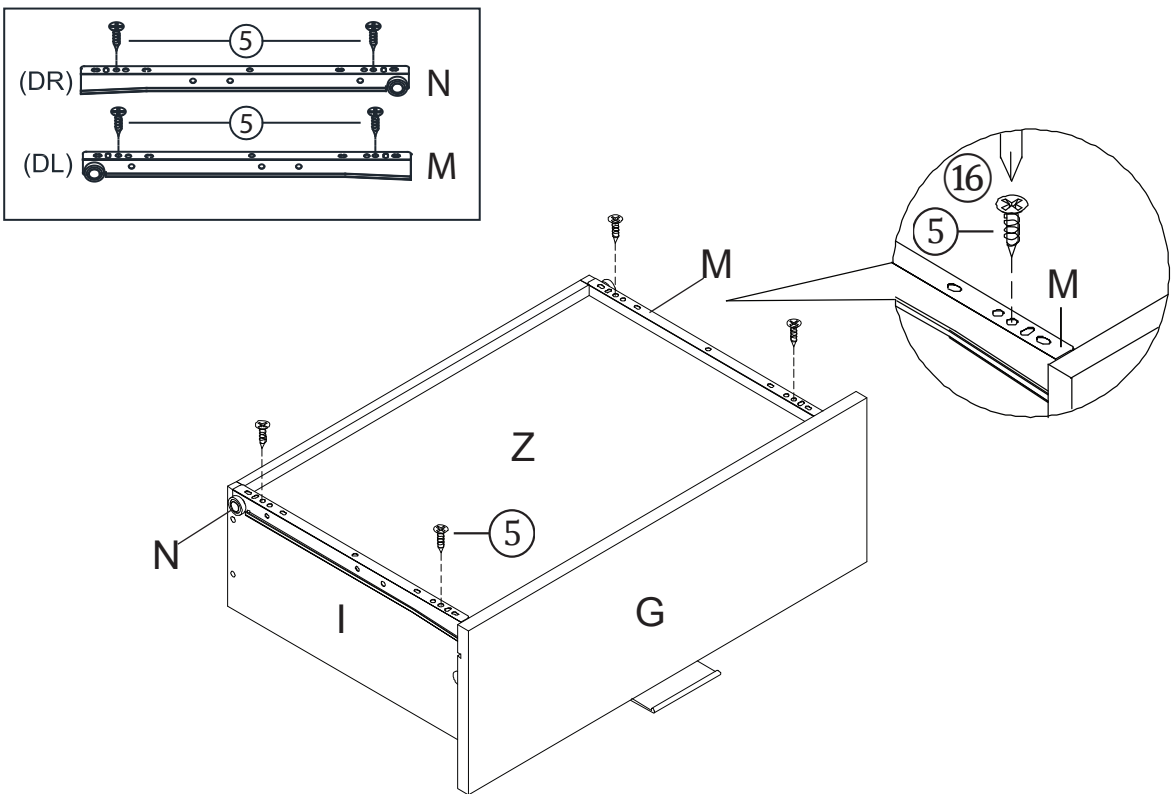
**Tighten the Screws fully in a sequential manner**

Step 13



Follow the preholes, attach the L-shape Handle ( ⑧ ) onto the Drawer Front (G) and secure it with two Csk Screws ( ⑤ ) using the Screwdriver ( ⑯ ) for each handle.

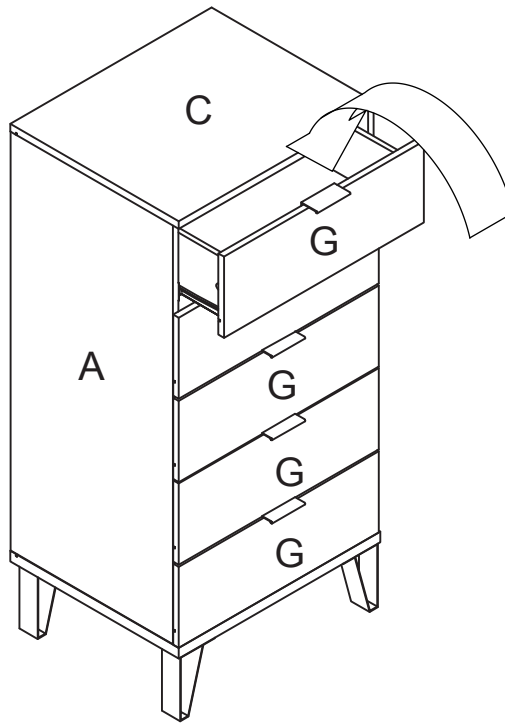
Step 14



Place the Drawer Slide DR (N) onto the Side Drawer Right (I) and place the Drawer Slide DL (M) onto the Side Drawer Left (H) and secure them using two Csk Screw ( ⑤ ) and the Screwdriver ( ⑯ ) on each side.

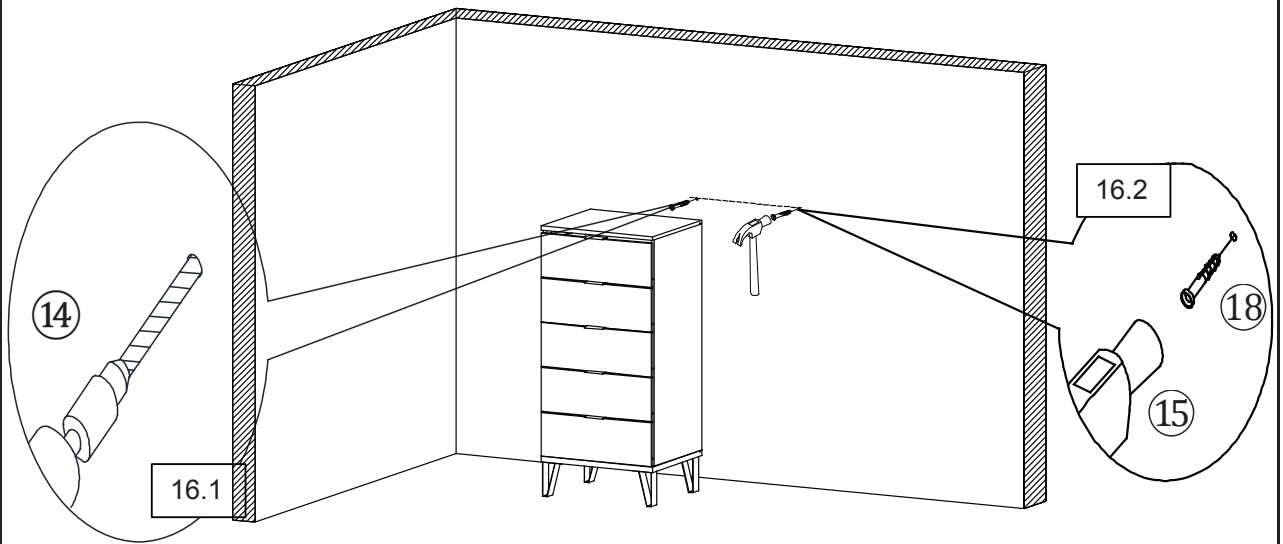


## Step 15



Slide each drawer into its place.

## Step 16



16.1) Using a Power Drill(14), drill two holes into the wall at the same height of the Metal Brackets(17) that you have placed on the 5 Drawer Chest.

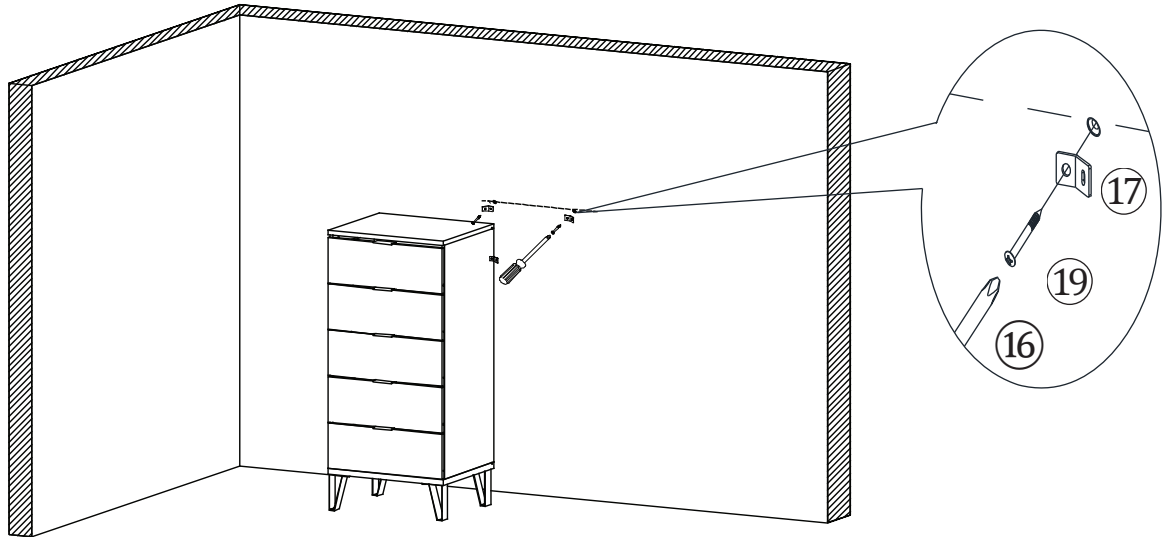
**You can mark these points in the following ways:**

- 1) Measure the height of the Metal Brackets(17) with a ruler/measuring tape and mark on wall to keep them accurate and at the same height.
- 2) Mark two points on the wall, the same height as the Metal Brackets on the back side.

**Note: The Metal Brackets need to be secured to a solid, load bearing surface. Please use a Stud Finder (not supplied) if needed to locate the Wall Frame**

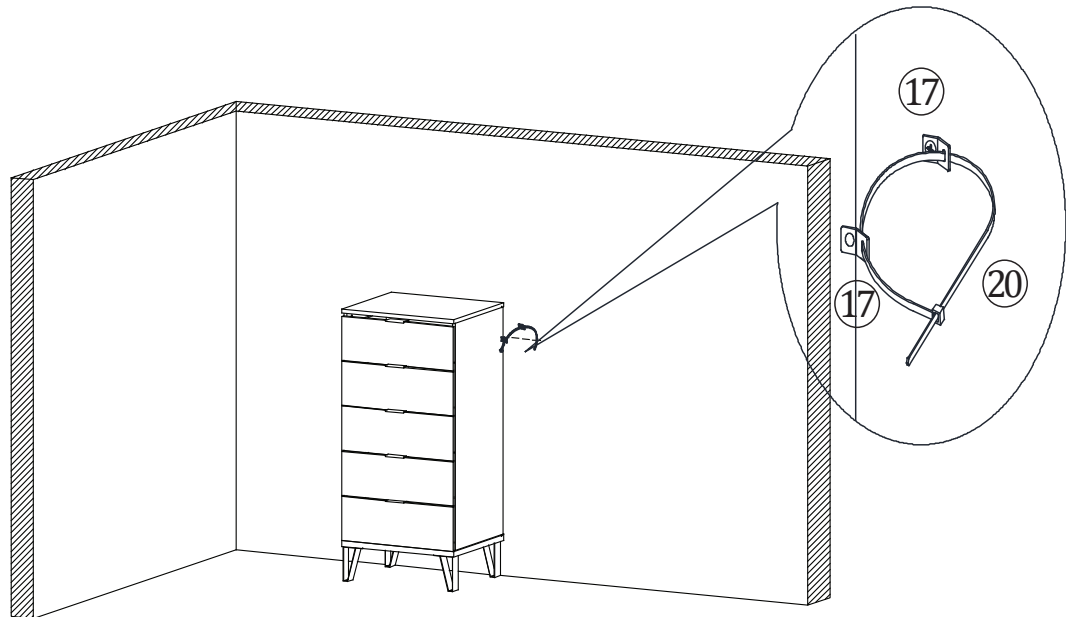
16.2) Insert the Wall Plugs(18) into the holes in the wall, using a Hammer(15).

### Step 17



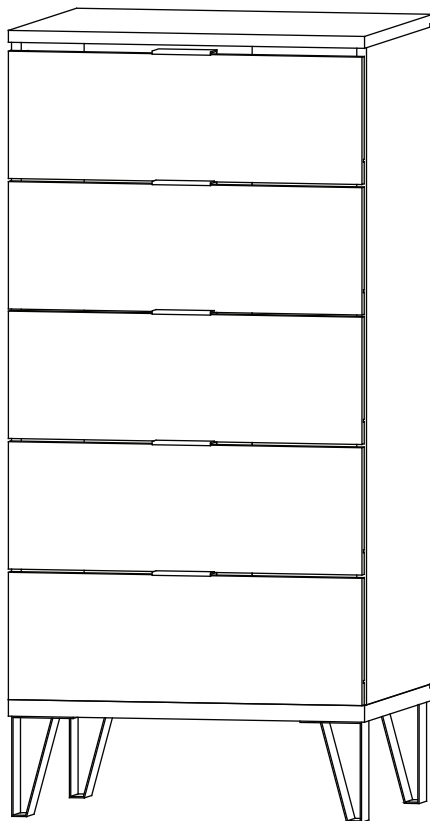
Attach the Metal Brackets(17) to the Wall Plugs(18) using Pan Head Screws(19) and a Screwdriver(16).

### Step 18



Move the 5 Drawer Chest back against wall. Pull the Tipover Restraint Straps(20) through the Metal Brackets(17) on the wall and the 5 Drawer Chest one by one, and pull the Tipover Restraint Straps(20) tight.

Step 19



Your 5 Drawer Chest is ready for use.

**This 5 Drawer Chest can only be used on a flat, level surface**

## Care & Maintenance



- Furniture may scratch floors. We recommend using furniture pads to protect your floors.



- Do not put hot items directly on furniture surface.



- Do not clean furniture with harsh cleansers or polish.



- Do not place furniture under direct sunlight.



- Do not place furniture near heating or cooling vents.



- Do not write on furniture without a padded barrier to protect the surface.



- Do not place furniture outside . For indoor use only.



- Not for commercial use. For residential use only.



- Stains may be removed with mild soap solution and damp cloth.



- Children should not climb or jump on the furniture.



- Dust and pick-up spills using a clean, non-colored, lint-free cloth.