

WARNING!!

Children have died from furniture tipover. Tip restraints have been included with this product; you must install the tip restraints according to these instructions in order to minimize the risk of furniture tipping. If you have any questions about this product or the tip restraint, please send us an email at tip_restraint_help@Noblehousefurniture.com

NEVER allow children to climb or hang on furniture, including drawers or cabinet doors.

In addition to installing the restrains , to help prevent tip-over

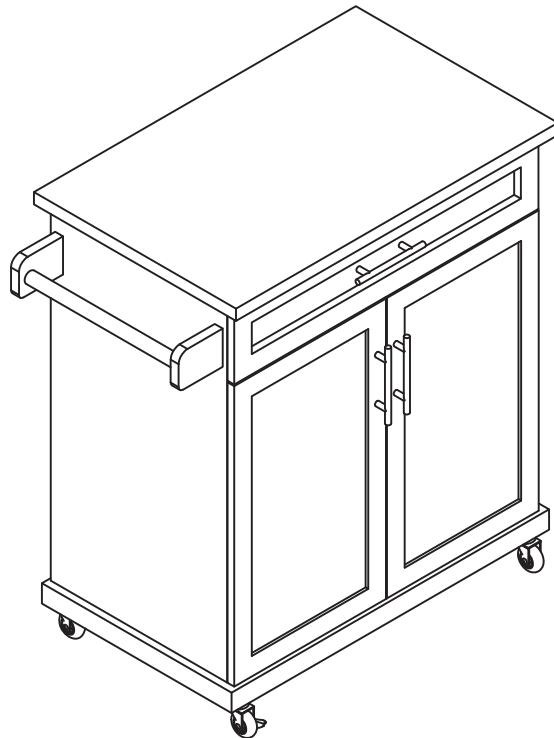
1. NEVER put a TV or other heavy objects on top of this product".
2. Do not stand on the product

⚠ WARNING	
	<p>Children have died from furniture tipover. To reduce the risk of furniture tipover:</p> <ul style="list-style-type: none">• ALWAYS install tipover restraint provided.• NEVER put a TV on this product.• NEVER allow children to stand, climb or hang on drawers, doors, or shelves.• NEVER open more than one drawer at a time.• Place heaviest items in the lowest drawers.• Do not defeat or remove the drawer interlock system.
	<p><i>This is a permanent label. Do not remove!</i></p>

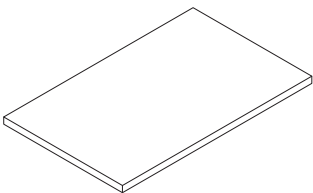
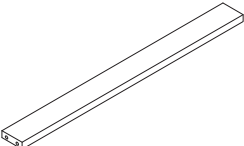
Assembly Instructions

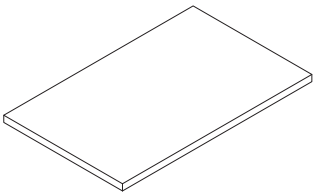
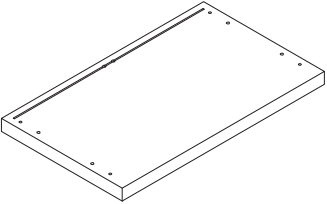
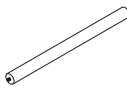
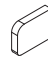
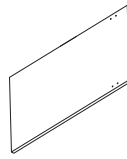


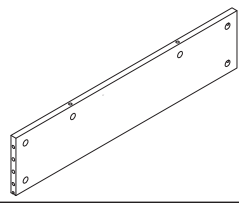

Caution : You must read this before you proceed

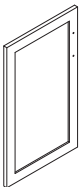
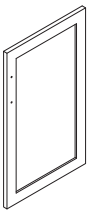
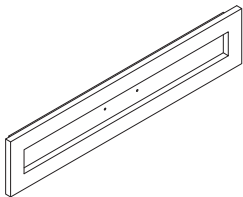
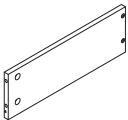
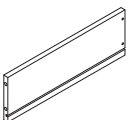
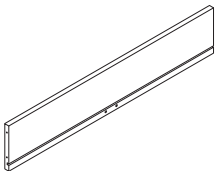
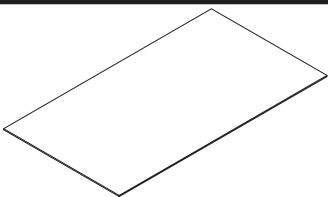
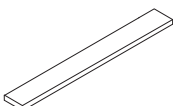
kitchen cart







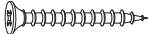



Parts List



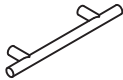


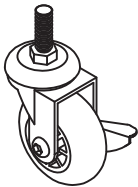
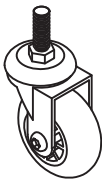

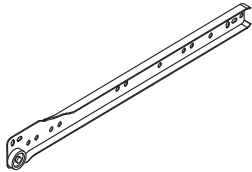
Label	Picture	Description	QTY
A		Top Panel	1
B		Support Panel	1

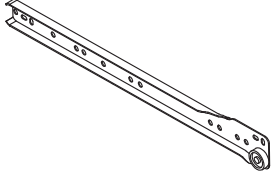
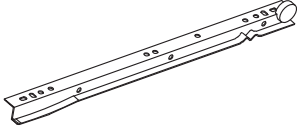
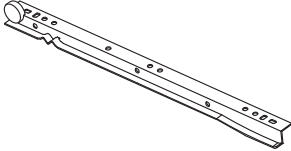

C		Shelf Panel	1
D		Bottom Panel	1
E		Round rod	1
F		Wood Panel	2
G		Left Side Panel	1
H		Lower Back Panel	2
I		Back plane connector	1
J		Upper Back Panel	1
K		Right Side Panel	1

L		Left Door Panel	1
M		Right Door Panel	1
N		Drawer Front Panel	1
O		Left Panel of drawer	1
P		Right Panel of drawer	1
Q		Back Board of drawer	1
R		Drawer Bottom Panel	1
S		Supprt Panel	1

Hardware

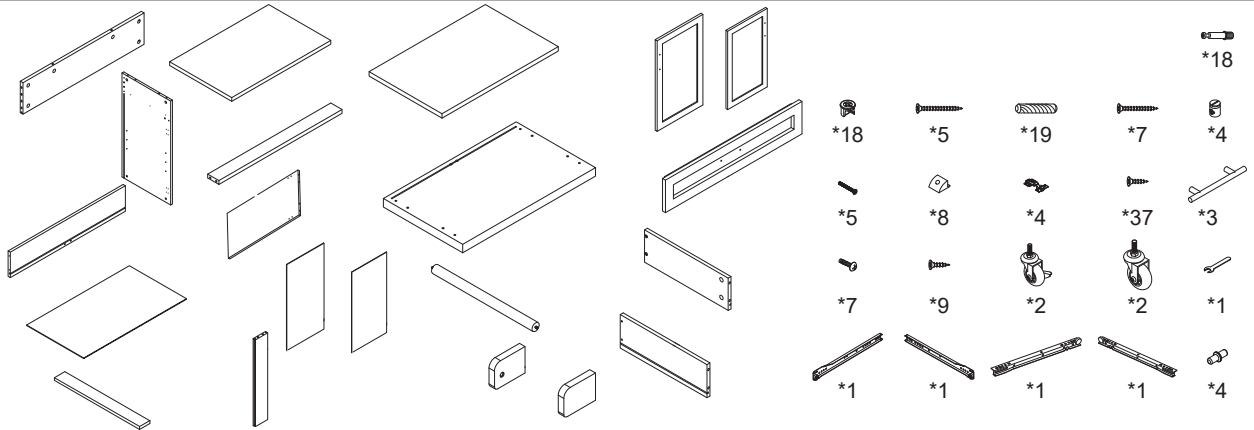
Label	Picture	Description	QTY
①		Cam Bolt(M6X35mm)	18
②		Cam Nut(M15X9mm)	18
③		Screw (M5x40mm)	5
④		Dowel (M8X30mm)	19
⑤		Screw (M4x35mm)	7
⑥		Nuts	4
⑦		Screw (M6x55mm)	5
⑧		Back plate buckle	8

9		Hinges	4
10		Screw (M3.5X14mm)	37
11		Knob(M6)	3
12		Screw (M4x18mm)	7
13		Screw (M3X14mm)	9
14		wheel	2
15		wheel	2
16		wrench	1
17		Left Guide Rail	1

<p>⑱</p>		<p>Right Guide Rail</p>	<p>1</p>
<p>⑲</p>		<p>Left slide</p>	<p>1</p>
<p>⑳</p>		<p>Right slide</p>	<p>1</p>
<p>㉑</p>		<p>Door Pin</p>	<p>4</p>

Assembly Preparation

Before Beginning Assembly:



- Read instructions, cover to cover-



- Have 2 adults on hand for assembly-



- Do not assemble on flooring or carpet-



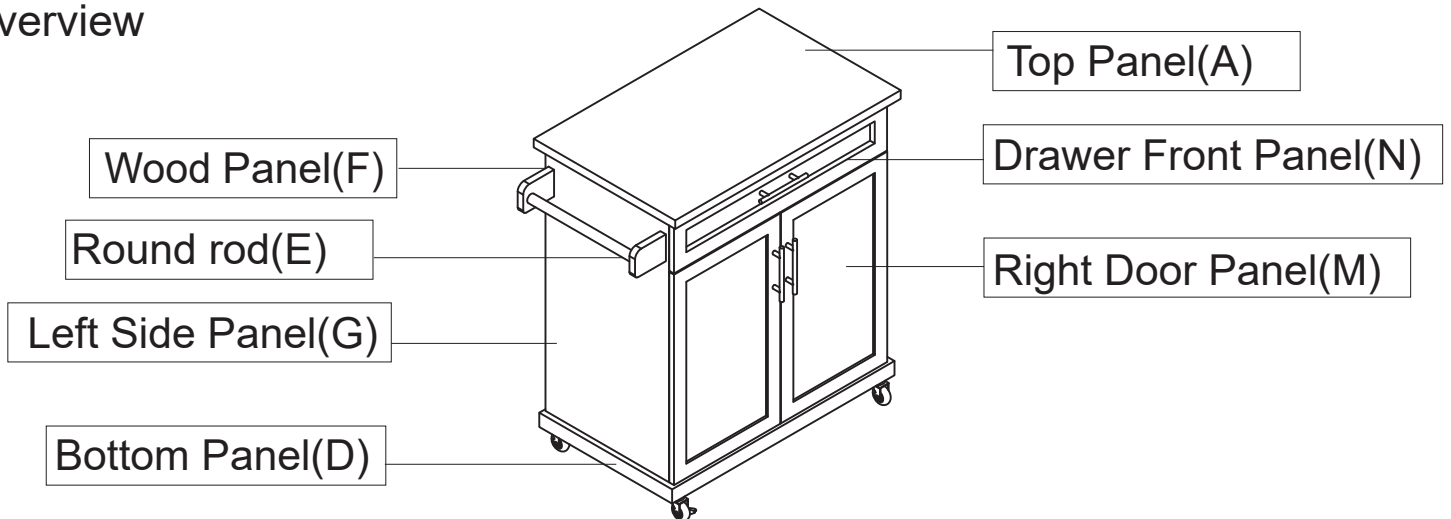
- Assemble on a clean non-marring surface (packing foam)-



- Save all packaging until finished-

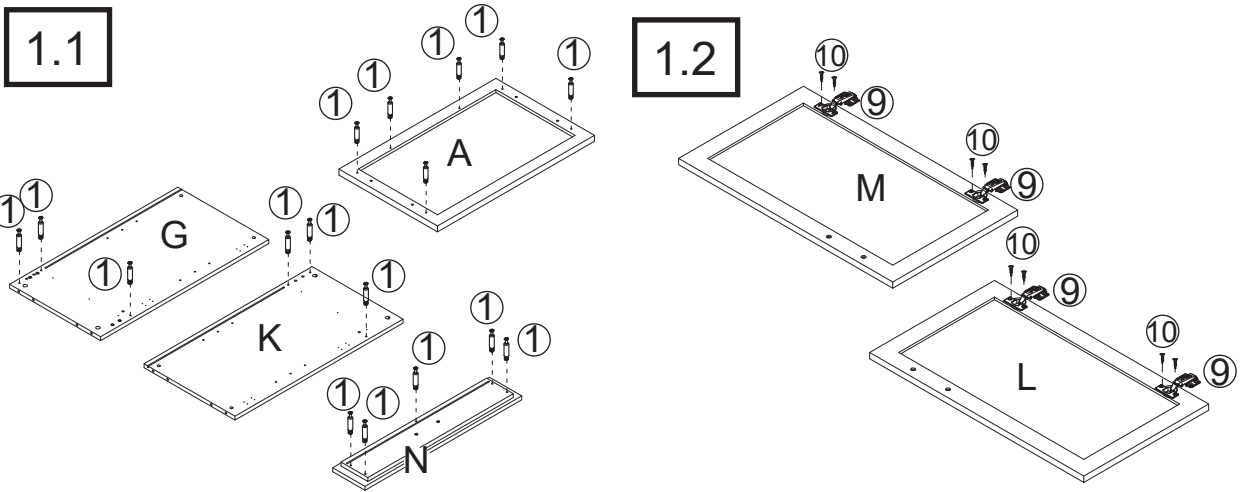
Assembly Steps

Overview



This Kitchen cart has multiple parts and may require up to 30 minutes to assemble. To give you an overview of the Kitchen cart parts, the above picture is to help you put the various parts into perspective. Please read through the instructions below to familiarise yourself with the parts and steps before assembly.

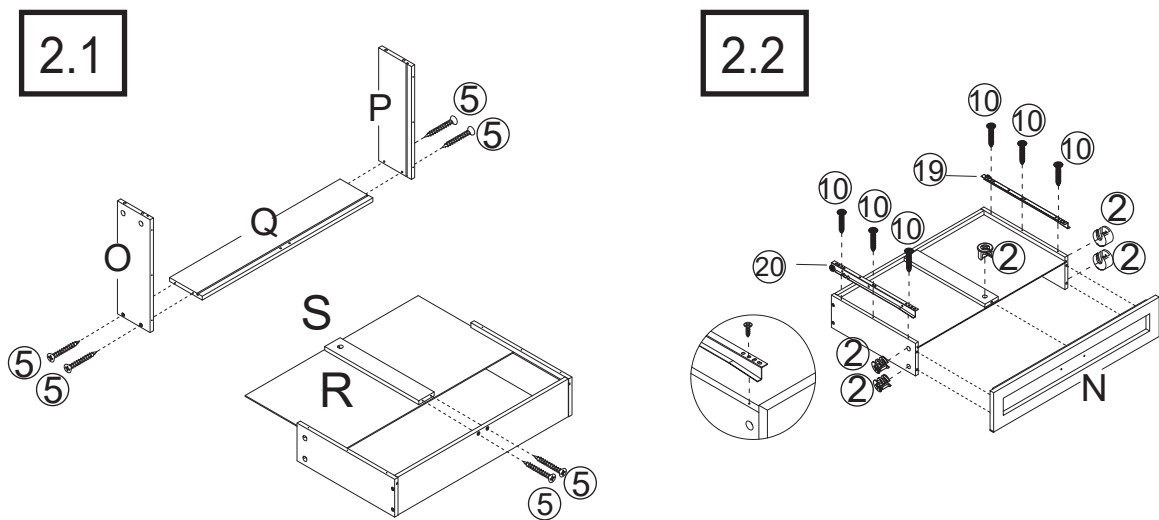
Step 1



1.1) Insert Cam Bolts ① into the mounting positions on Top Panel (A), Drawer Front Board (N), Right Side Panel (K) and Left Side Panel (G)

1.2) Attach Hinges ⑨ to Left Door Board (L) with Screws ⑩.
Attach Hinges ⑨ to Right Door Board (M) with Screws ⑩.

Step 2



2.1) Attach Drawer Left Panel (O) and Drawer Right Panel (P) to the Right Side Panel (Q) with Screws ⑤

Attach Support Panel (S) and Drawer bottom panel (R) to the right side panel (Q) with screws ⑤

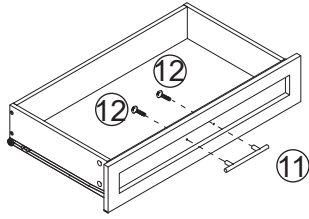
2.2) Attach Support Board (S) to the Drawer Front Panel (N) with Cam Nuts ②

Attach Right slide ⑳ to the Drawer Left Panel (O) with Screws ⑩

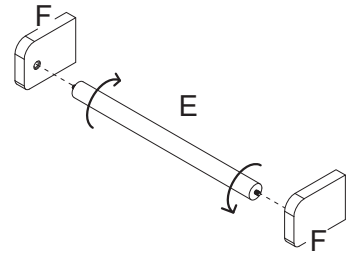
Attach Left slide ⑲ to the Drawer Right Panel (P) with Screws ⑩

Step 3

3.1



3.2

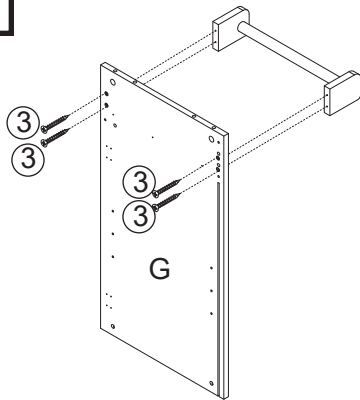


3.1) Attach Knob (11) to the drawer front panel (N) with screws (12)

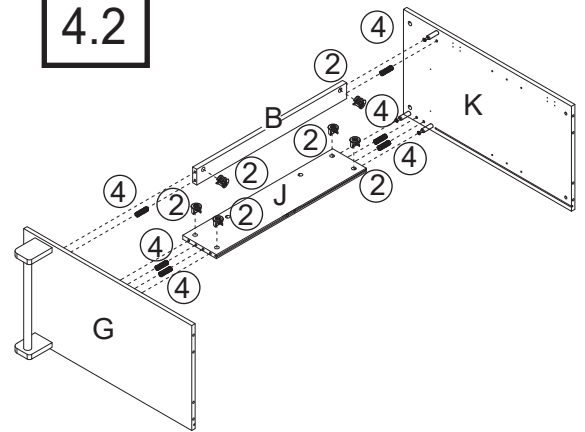
3.2) Place the round rod (E) onto the Wood Block (F).

Step 4

4.1



4.2

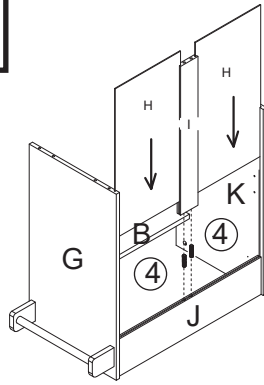


4.1) Attach round rod (E) to the left side panel (G) with screws (3).

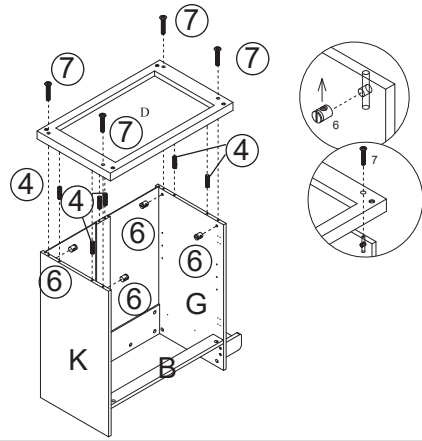
4.2) Attach Support Panel (B) to Upper Left Side Panel (G) With Cam Nut (2) and Dowel (4).
Attach Upper Back Board (J) to Upper Right side Panel (K) With Cam Nut (2) and Dowel (4).

Step 5

5.1



5.2

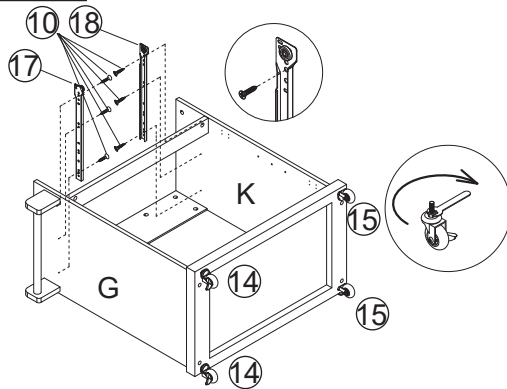


5.1) Insert Back plane connector(I) to the Upper Back Panel(J) with Dowels(4)
Insert Low Back Panel(H) and into the mounting positions Upper Back Panel(K)

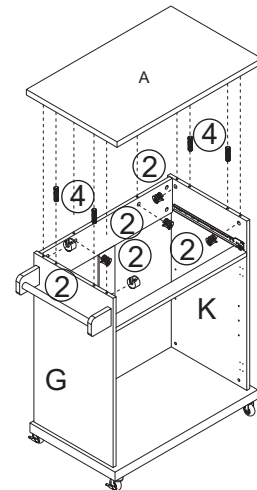
5.2) Attach Bottom Panel(D) to Back Panel connector(I)
Left Side Panel(G) and Right Side Panel(K) with
Screws(7). Dowels(4) and Nuts(6).

Step 6

6.1



6.2

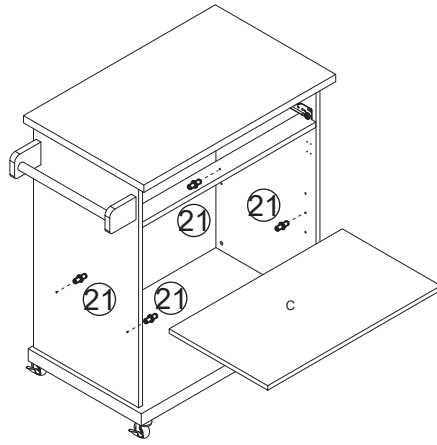


6.1) Attach Left Guide Rail(17) to the Left Side Panel(G) with Screws(10)
Attach Right Guide Rail (18) to the Drawer Left Panel (K) with Screws(10)
Attach wheels(14)&(15) into Bottom Panel(D) using wrench(16).

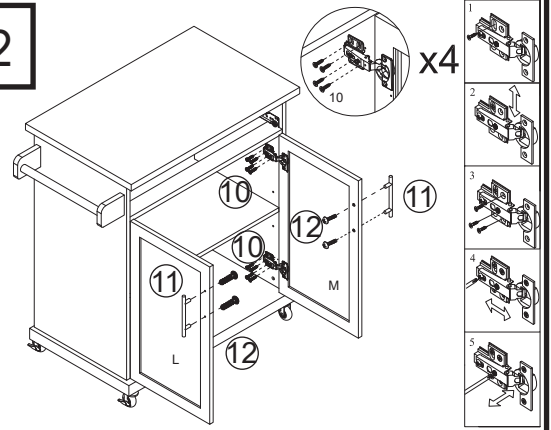
6.2) Attach Top Panel (A) to Right Side Panel (K) and
Left Side Panel (G) with Cam Nuts(2) and Dowels(4).

Step 7

7.1



7.2



7.1) Insert Door Pins (21) into the mounting positions on Left Side Panel (G) and Drawer Left Panel (K). Place Shelf Panel (C) onto Door Pins (21).

7.2) Attach Knob (11) to the Left Door Panel (L) with Screws (12).

Attach Knob (11) to the Right Door Panel (M) with Screws (12).

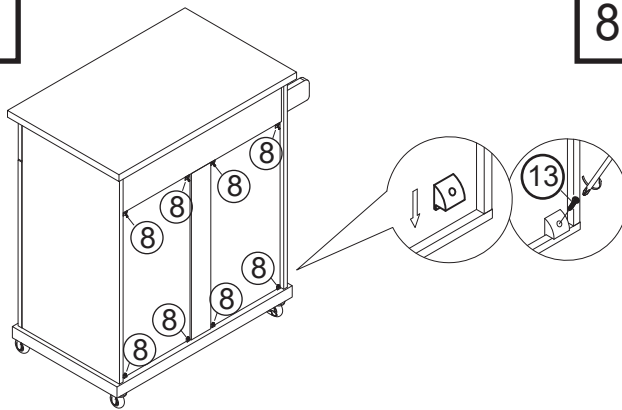
Attach Hinges (9) to Left Side Panel (G) with Screws (10).

Attach Hinges (9) to Right Side Panel (K) with Screws (10).

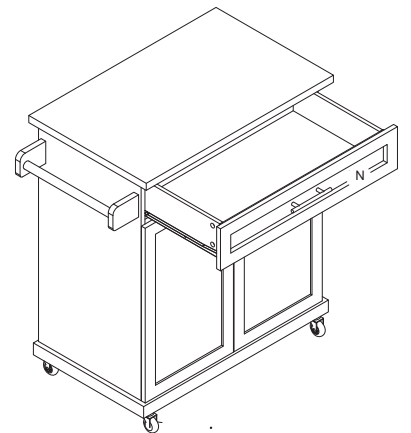
You could change the position of the doors by changing the hinge positions as shown in the picture.

Step 8

8.1



8.2



8.1) Insert Back buckles (8) into the mounting positions on Low Back Panel (H)

8.2) Place the drawer onto the kitchen cart

Your Kitchen cart is ready for use.

This Kitchen cart can only be used on a flat, level surface.

Care & Maintenance



- Furniture may scratch floors. We recommend using furniture pads to protect your floors.



- Do not put hot items directly on furniture surface.



- Do not clean furniture with harsh cleansers or polish.



- Do not place furniture under direct sunlight.



- Do not place furniture near heating or cooling vents.



- Do not write on furniture without a padded barrier to protect the surface.



- Do not place furniture outside . For indoor use only.



- Not for commercial use. For residential use only.



- Stains may be removed with mild soap solution and damp cloth.



- Children should not climb or jump on the furniture.



- Dust and pick-up spills using a clean, non-colored, lint-free cloth.