

WARNING!!

Children have died from furniture tipover. Tip restraints have been included with this product; you must install the tip restraints according to these instructions in order to minimize the risk of furniture tipping. If you have any questions about this product or the tip restraint, please send us an email at tip_restraint_help@Noblehousefurniture.com

NEVER allow children to climb or hang on furniture, including drawers or cabinet doors.

In addition to installing the restrains , to help prevent tip-over

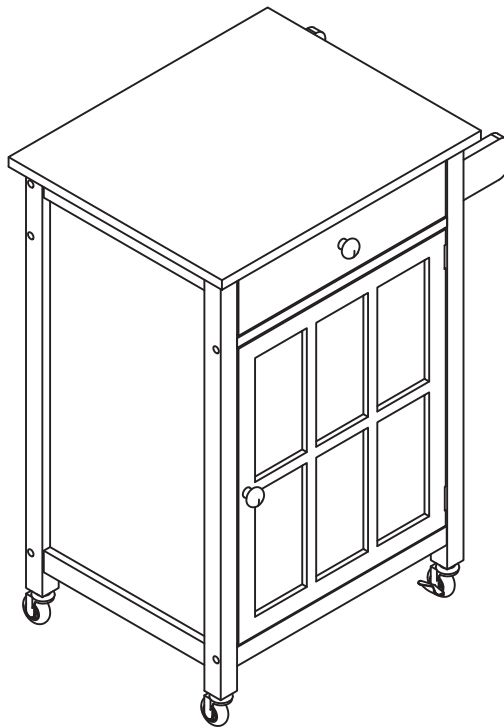
1. NEVER put a TV or other heavy objects on top of this product".
2. Do not stand on the product

⚠ WARNING	
	<p>Children have died from furniture tipover. To reduce the risk of furniture tipover:</p> <ul style="list-style-type: none">• ALWAYS install tipover restraint provided.• NEVER put a TV on this product.• NEVER allow children to stand, climb or hang on drawers, doors, or shelves.• NEVER open more than one drawer at a time.• Place heaviest items in the lowest drawers.• Do not defeat or remove the drawer interlock system.
	<p><i>This is a permanent label. Do not remove!</i></p>

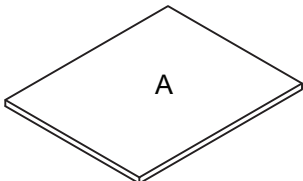
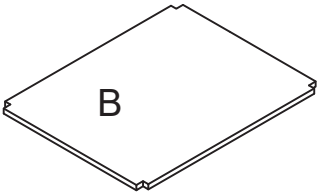
Assembly Instructions

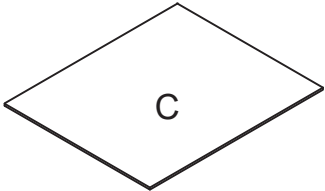


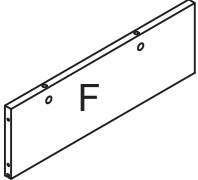
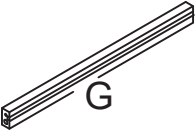
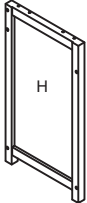
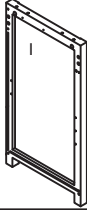
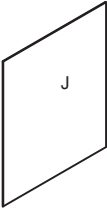
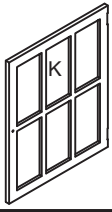
Caution : You must read this before you proceed

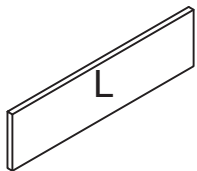
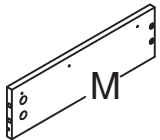
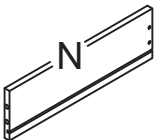
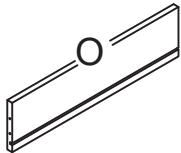
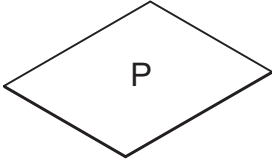

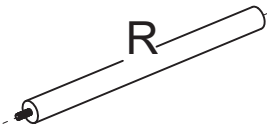
kitchen cart



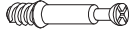



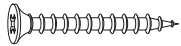
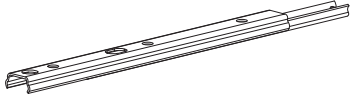


Parts List


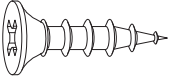

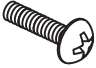
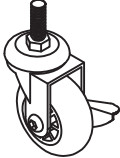
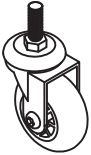


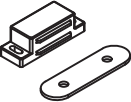

Label	Picture	Description	QTY
A		Top Panel	1
B		Shelf Panel	1

C		Bottom Panel	1
D		Supprt Panel	1
E		Supprt Panel	1
F		Back Panel	1
G		Supprt Panel	1
H		Left Side Panel	1
I		Right Side Panel	1
J		Back Panel	1
K		Door Panel	1

L		Drawer Front Panel	1
M		Left Panel of drawer	1
N		Right Panel of drawer	1
O		Drawer back Panel	1
P		Drawer Bottom Panel	1
Q		Wood Panel	2
R		Round rod	1

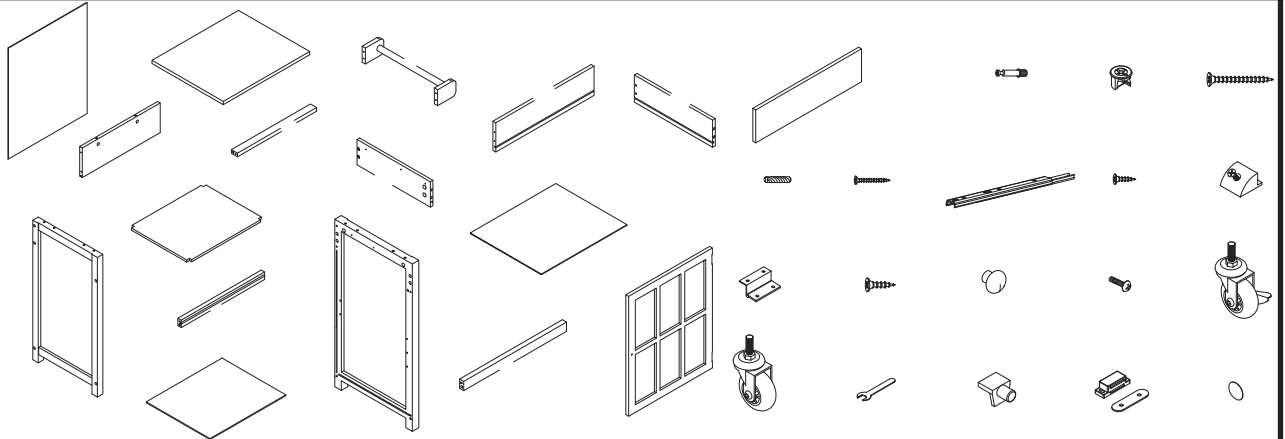
Hardware

Label	Picture	Description	QTY
①		Cam Bolt(M6X35mm)	11
②		Cam Nut(M15X9mm)	11
③		Screw (M5x55mm)	15
④		Dowel (M6X30mm)	10
⑤		Screw (M4x30mm)	5
⑥		Guide Rail	2
⑦		Screw (M3x14mm)	3
⑧		Back plate buckle	6

9		Hinge	2
10		Screw (M3.5X12mm)	23
11		Knob(M6)	2
12		Screw (M4x16mm)	3
13		wheel	2
14		wheel	2
15		Wrench	1
16		Shelf Holder	4
17		Magnet	1
18		stickers	11

Assembly Preparation

Before Beginning Assembly:



- Read instructions, cover to cover-



- Have 2 adults on hand for assembly-



- Do not assemble on flooring or carpet-



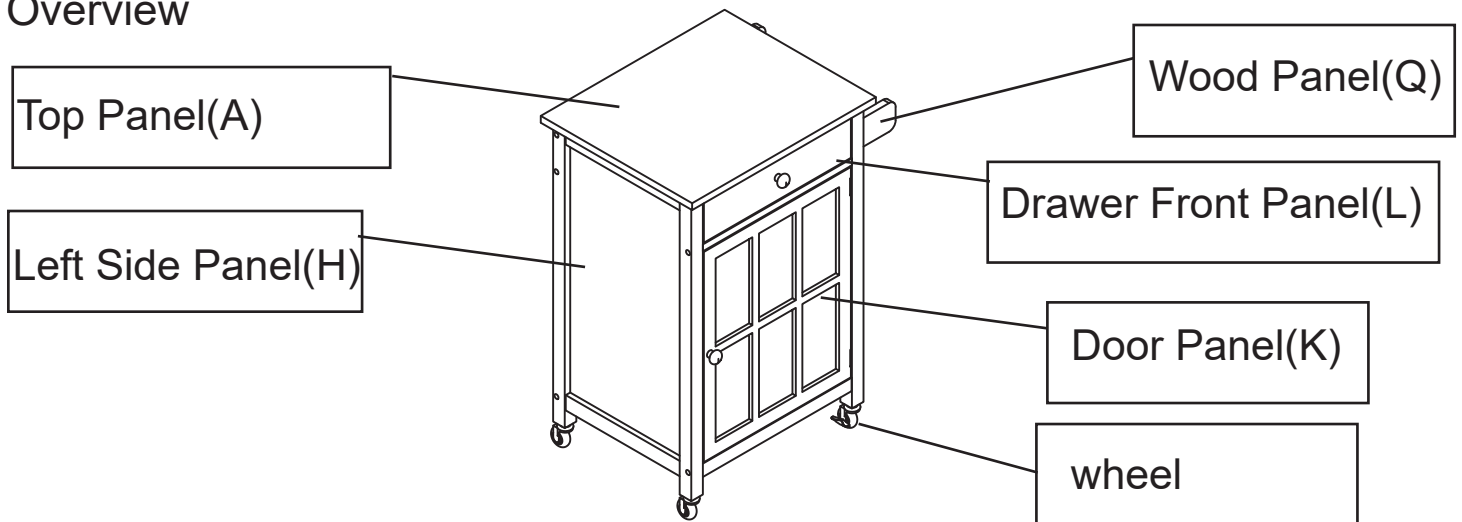
- Assemble on a clean non-marring surface (packing foam)-



- Save all packaging until finished-

Assembly Steps

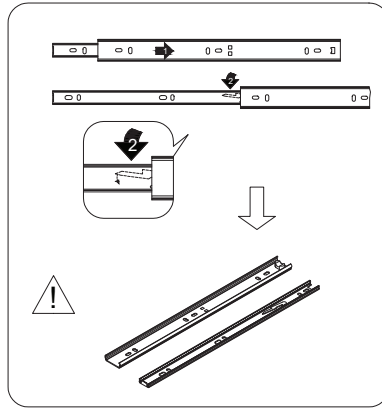
Overview



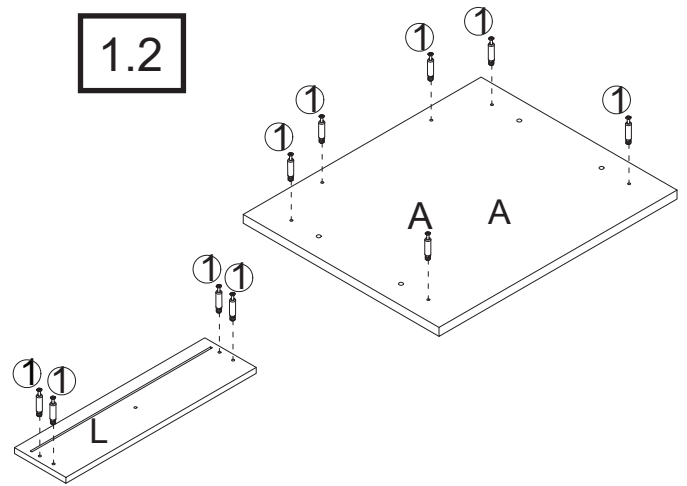
This Kitchen Cart has multiple parts and may require up to 30 minutes to assemble. To give you an overview of the Kitchen Cart parts, the above picture is to help you put the various parts into perspective. Please read through the instructions below to familiarise yourself with the parts and steps before assembly.

Step 1

1.1



1.2

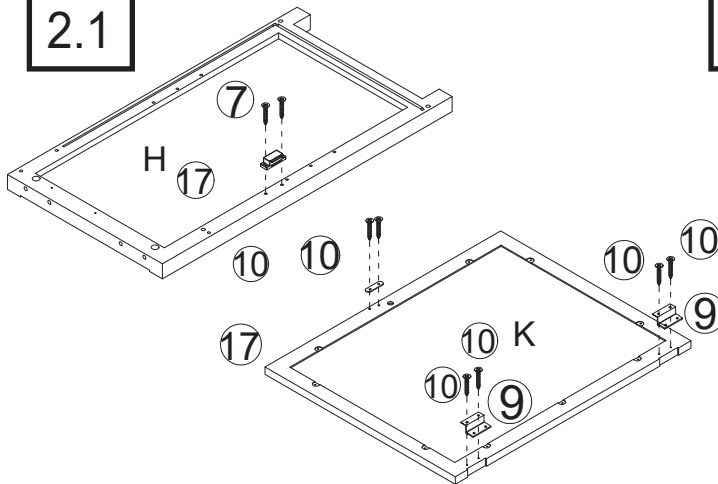


1.2) Separate Left Guide Rails ⑥ to Rails and slides.

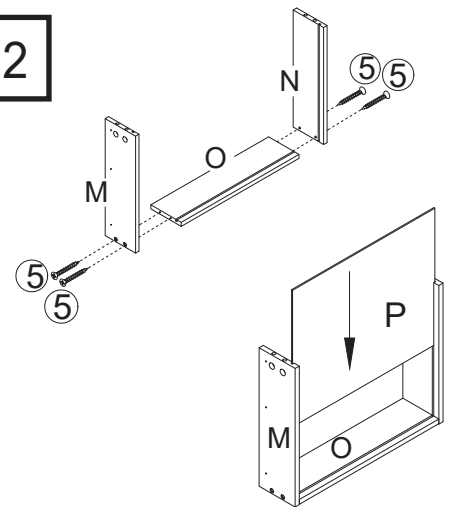
1.2) Insert Cam Bolt ① into the mounting positions on Top Panel (A), Drawer Front Panel (L) .

Step 2

2.1



2.2



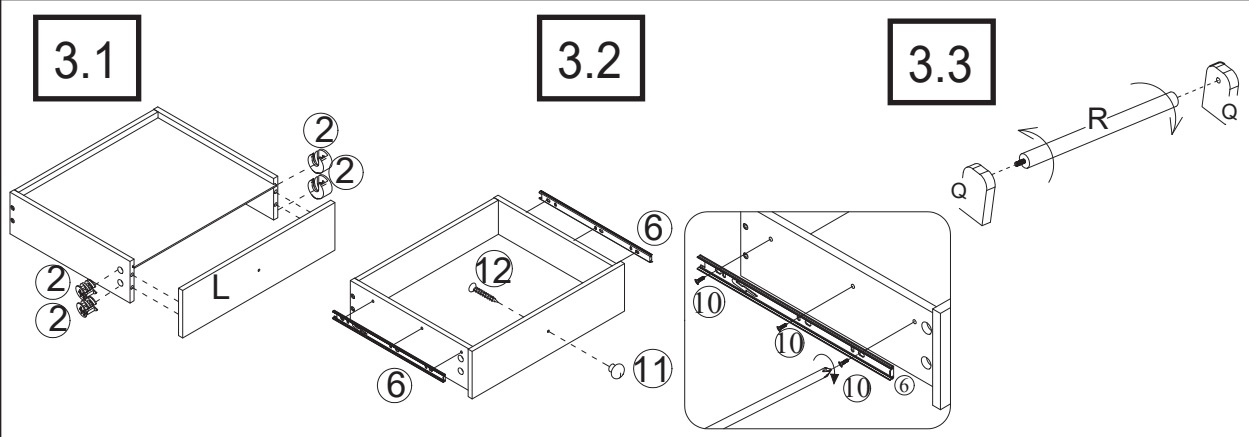
2.1) Attach Magnet ⑰ to the Left Side Panel (H) with Screws ⑦.

Attach Magnet ⑰ to Door Panel (K) with Screws ⑩.
Attach Hinge ⑨ to Door Panel (K) with Screws ⑩.

2.2) Attach Drawer Left Panel (M) and Drawer Right Panel (N) to the Drawer Back Panel (O) with Screws ⑤.

Insert Drawer Bottom Panel (P) into the grooves on the Drawer Left Panel (M) and Drawer Right Panel (N).

Step 3



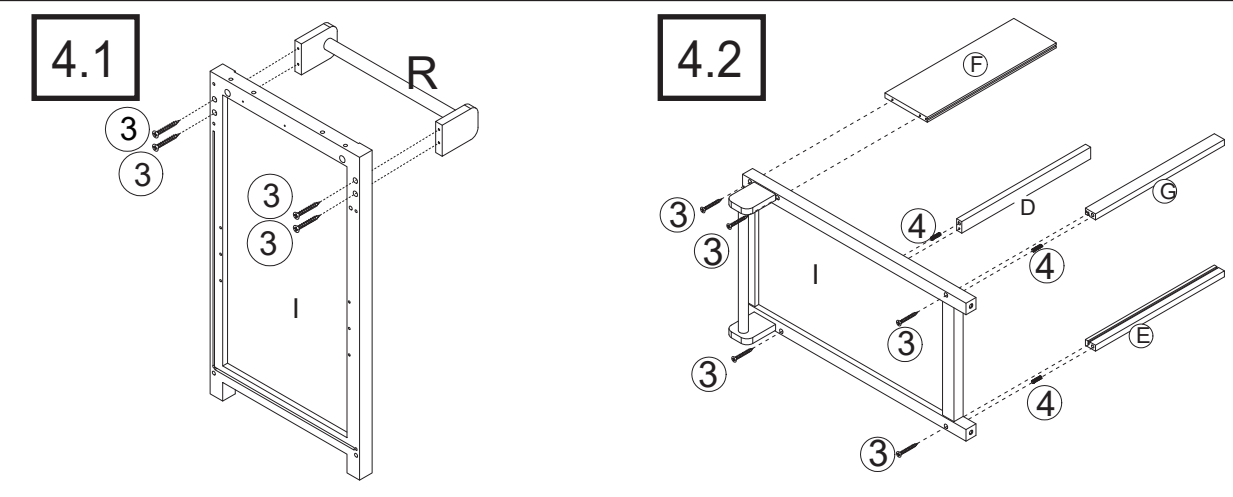
3.1) Insert Cam Nuts (2) into the mounting positions on the Drawer Left Panel (M) and Drawer Right Panel (N).

3.2) Attach Guide Rails (6) to sides of Drawer left panel (M) and Drawer Right Panel (N) with Screws (10).

Attach handle (11) to Drawer Front Panel (L) with Screws (12).

3.3) Place Wood Panel (Q) onto Round Rods (R).

Step 4



4.1) Attach Round Rod (R) to Right Side Panel (I) with Screws (3).

4.2) Attach Back Panel (F) to Right Side Panel (I) with Screws (3).

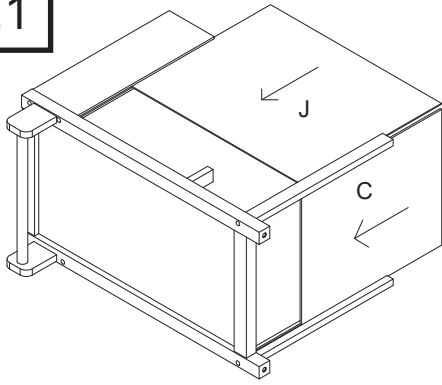
Attach Supprt Panel (D) to Right Side Panel (I) with Screws (3) and Dowels (4).

Attach Supprt Panel (G) to Right Side Panel (I) with Screws (3) and Dowels (4).

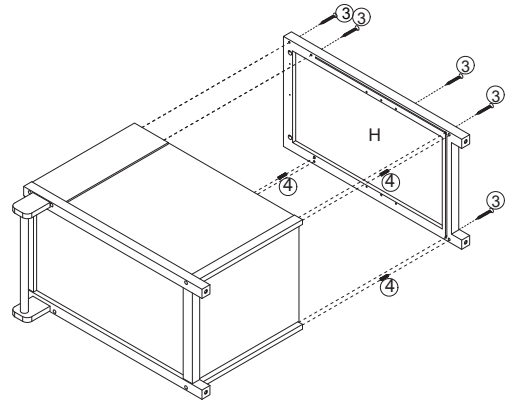
Attach Supprt Panel (E) to Right Side Panel (I) with Screws (3) and Dowels (4).

Step 5

5.1



5.2



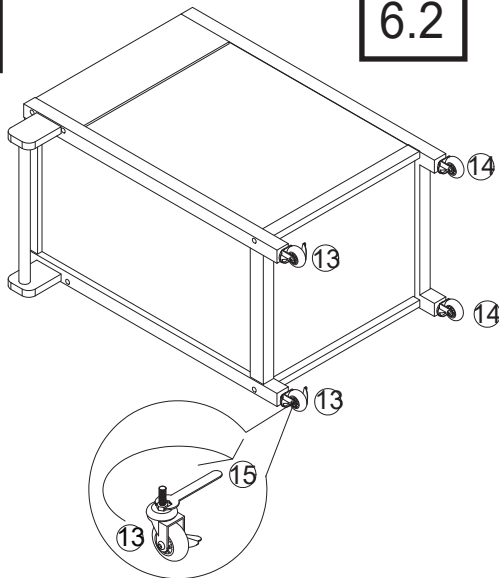
5.1) Insert Back Panel (J) into the mounting positions on Back Panel (F) and Support Board (G).

Insert Bottom Panel (C) into the mounting positions on Support Panel (G) and Support Panel (E).

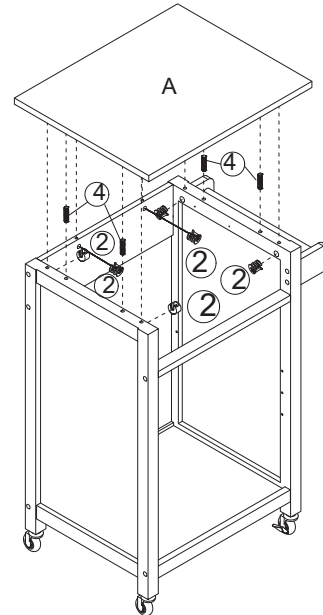
5.2) Attach Left Side Panel (H) to assembled unit with Screw ③ and Dowels ④.

Step 6

6.1



6.2



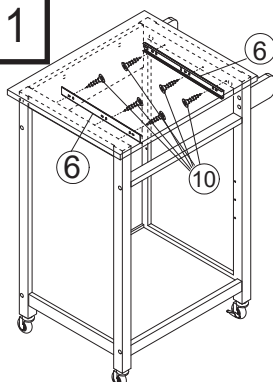
6.1) Attach wheel ⑬ to Right Side Panel (I) with Wrench ⑮.

Attach wheel ⑭ to Left Side Panel (H) with Wrench ⑮.

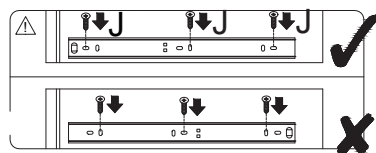
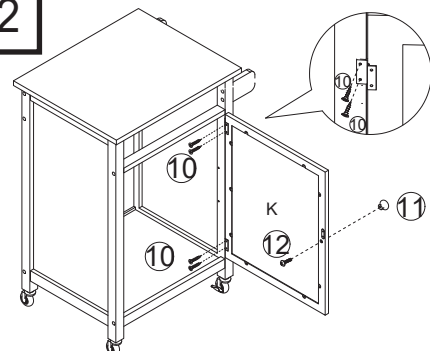
6.2) Attach Top Panel (A) to the assembled unit with Cam Nut ② and Dowels ④.

Step 7

7.1



7.2



7.1) Attach Guide Rail ⑥ to Right Side Panel (I) with Screws ⑩.

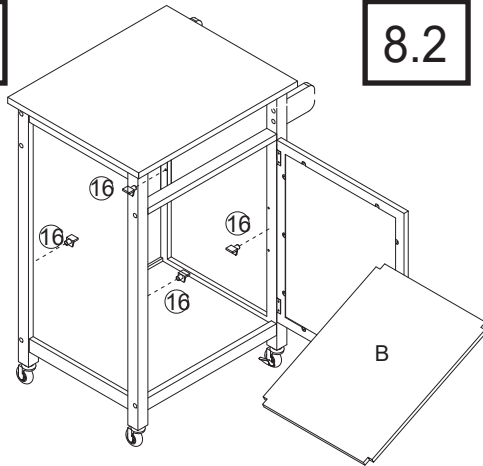
Attach Guide Rail ⑥ to Left Side Panel (H) with Screws ⑩

7.2) Attach Hinges ⑨ to Right Side Panel (I) with Screws ⑩

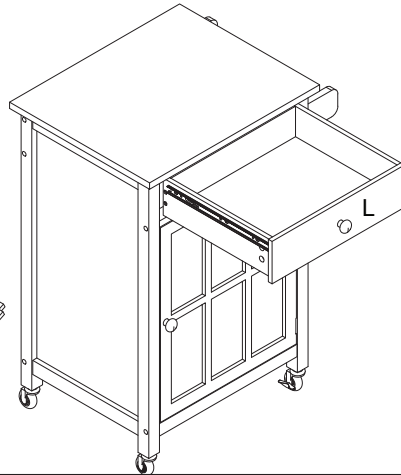
Attach Knob ⑪ to Door Panel (K) with Screws ⑫.

Step 8

8.1



8.2



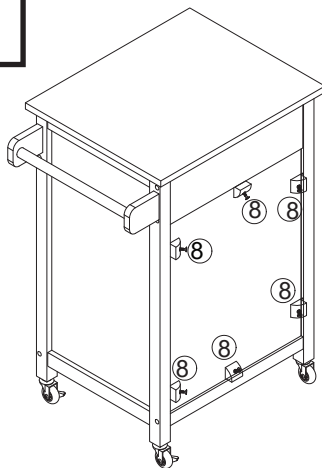
8.1) Insert Shelf Holders ⑩ into the Left Side Panel (H) and Right Side Panel (I).

Place Shelf Panel (B) on the Shelf Holders ⑩.

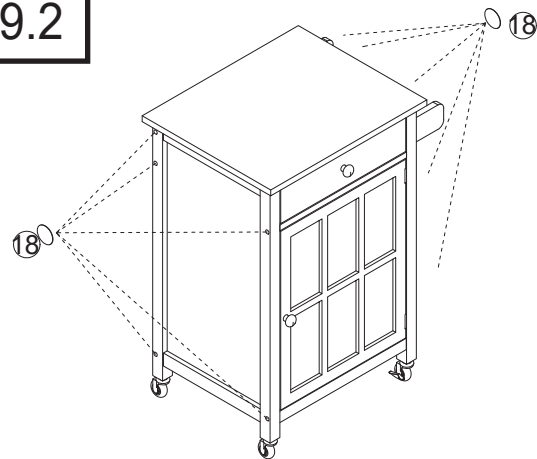
8.2) Slide in the drawer as shown in Figure 8.2

Step 9

9.1



9.2



9.1) Insert Back buckle ⑧ into the mounting positions on Back Panel (J)

9.2) Attach stickers ⑱ to the side of four legs of the Kitchen cart to cover the holes.

Your Kitchen cart is ready for use.

This Kitchen cart can only be used on a flat, level surface.

Care & Maintenance



- Furniture may scratch floors. We recommend using furniture pads to protect your floors.



- Do not put hot items directly on furniture surface.



- Do not clean furniture with harsh cleansers or polish.



- Do not place furniture under direct sunlight.



- Do not place furniture near heating or cooling vents.



- Do not write on furniture without a padded barrier to protect the surface.



- Do not place furniture outside . For indoor use only.



- Not for commercial use. For residential use only.



- Stains may be removed with mild soap solution and damp cloth.



- Children should not climb or jump on the furniture.



- Dust and pick-up spills using a clean, non-colored, lint-free cloth.