

WARNING!!

Children have died from furniture tipover. Tip restraints have been included with this product; you must install the tip restraints according to these instructions in order to minimize the risk of furniture tipping. If you have any questions about this product or the tip restraint, please send us an email at tip_restraint_help@Noblehousefurniture.com

NEVER allow children to climb or hang on furniture, including drawers or cabinet doors.

In addition to installing the restrains , to help prevent tip-over

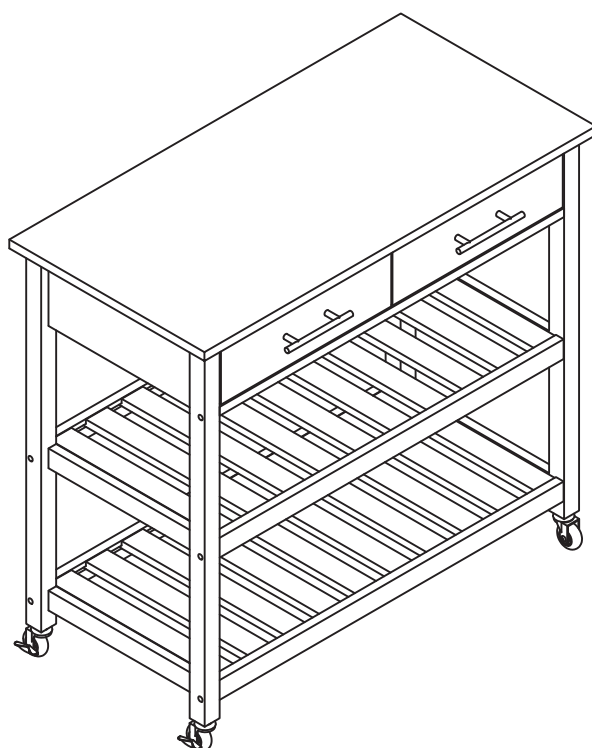
1. NEVER put a TV or other heavy objects on top of this product".
2. Do not stand on the product

⚠ WARNING	
	<p>Children have died from furniture tipover. To reduce the risk of furniture tipover:</p> <ul style="list-style-type: none">• ALWAYS install tipover restraint provided.• NEVER put a TV on this product.• NEVER allow children to stand, climb or hang on drawers, doors, or shelves.• NEVER open more than one drawer at a time.• Place heaviest items in the lowest drawers.• Do not defeat or remove the drawer interlock system.
	<p><i>This is a permanent label. Do not remove!</i></p>

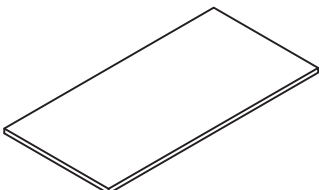
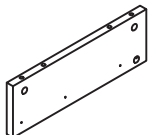
Assembly Instructions

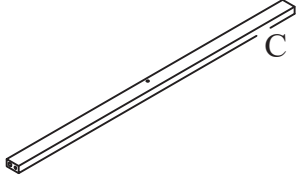
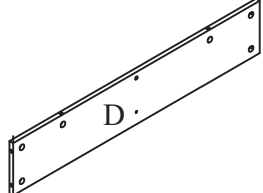
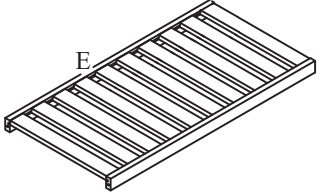
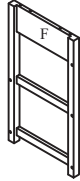
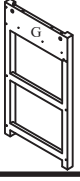
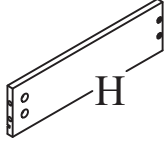
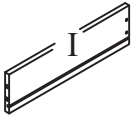
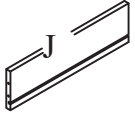
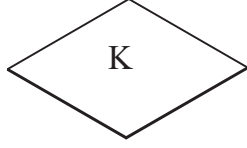
Caution : You must read this before you proceed

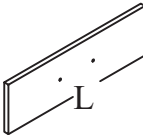
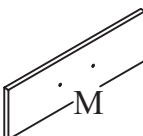
kitchen cart



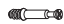

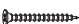
Parts List



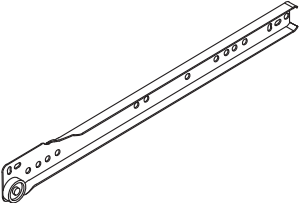
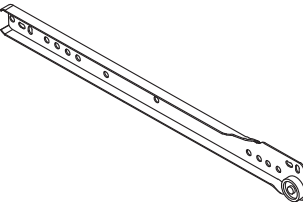
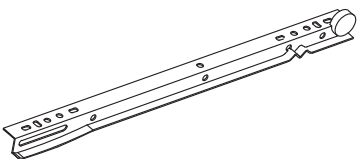
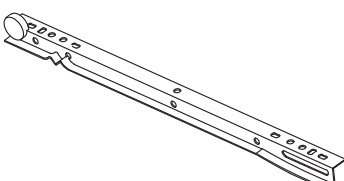

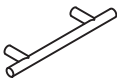
Label	Picture	Description	QTY
A		Top Panel	1
B		Drawer divide board	1


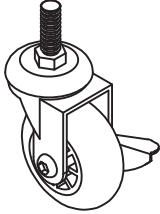
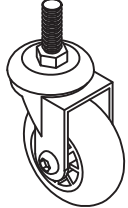




C		Right Side Panel	1
D		Back Board	1
E		Shelf Board	2
F		Left Side Panel	1
G		Right Side Panel	1
H		Drawer Left Panel	2
I		Drawer Right Panel	2
J		Drawer Back Panel	2
K		Drawer Bottom Board	2

L		Drawer Front Board	1
M		Drawer Front Board	1

Hardware

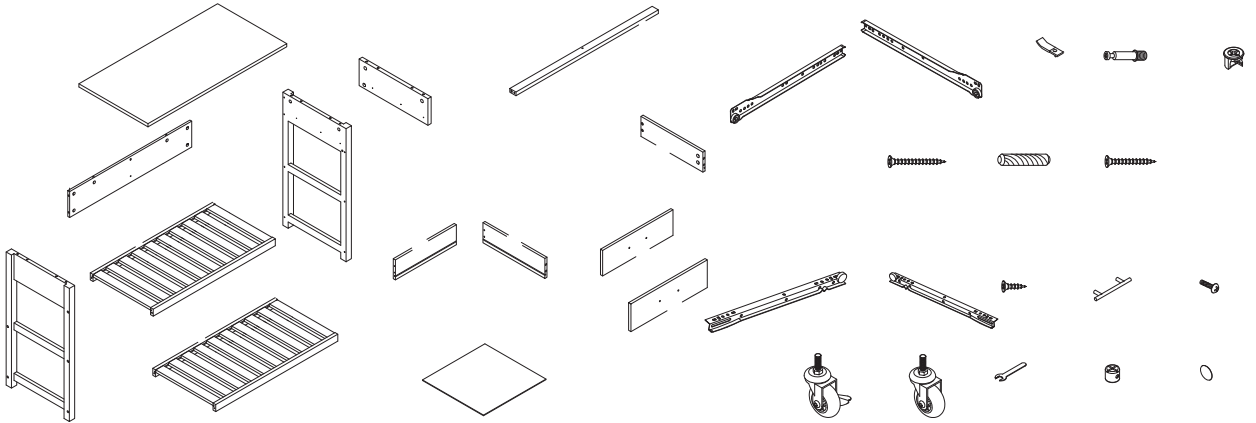
Label	Picture	Description	QTY
①		Cam Bolt(M6X35mm)	22
②		Cam Nut(M15X9mm)	22
③		Screw (M5x55mm)	12

④		Dowel (M6X30mm)	10
⑤		Screw (M4x25mm)	9
⑥		Left Guide Rail	2
⑦		Right Guide Rail	2
⑧		Left slide	2
⑨		Right slide	2
⑩		Screw (M3.5X12mm)	27
⑪		Handle(M6)	2

12		Screw (M4x16mm)	5
13		wheel	2
14		wheel	2
15		Wrench	1
16		Flat nut	9
17		Pad	11
18		Drawer Stopper	2

Assembly Preparation

Before Beginning Assembly:



- Read instructions, cover to cover-



- Have 2 adults on hand for assembly-



- Do not assemble on flooring or carpet-



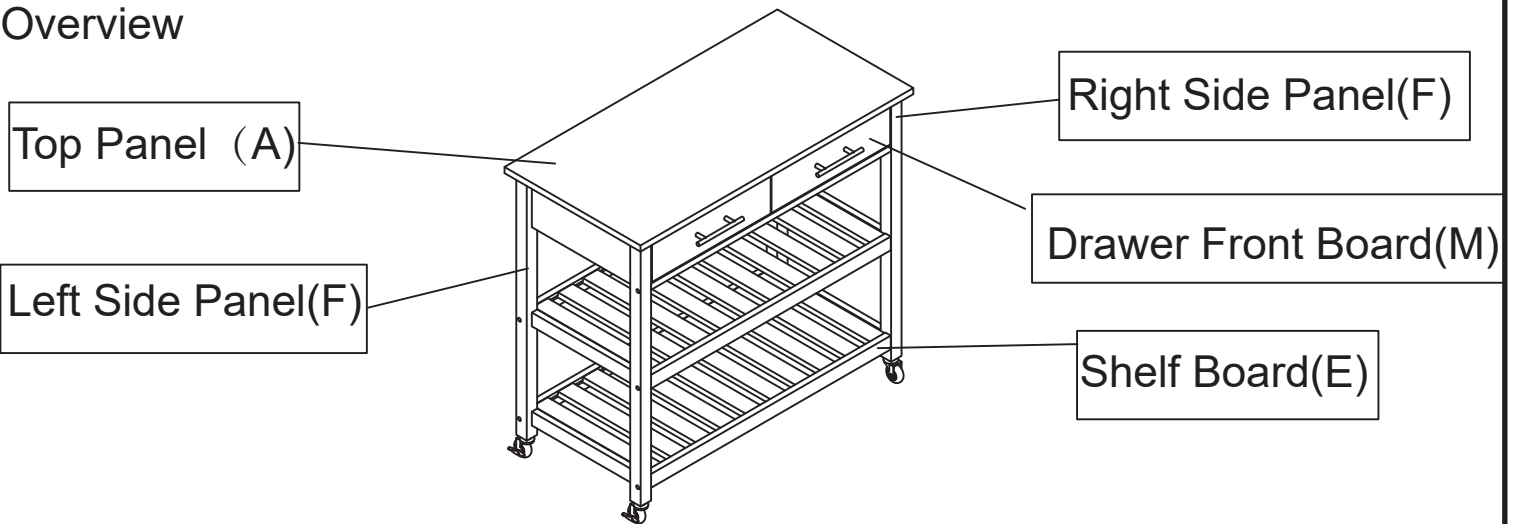
- Assemble on a clean non-marring surface (packing foam)-



- Save all packaging until finished-

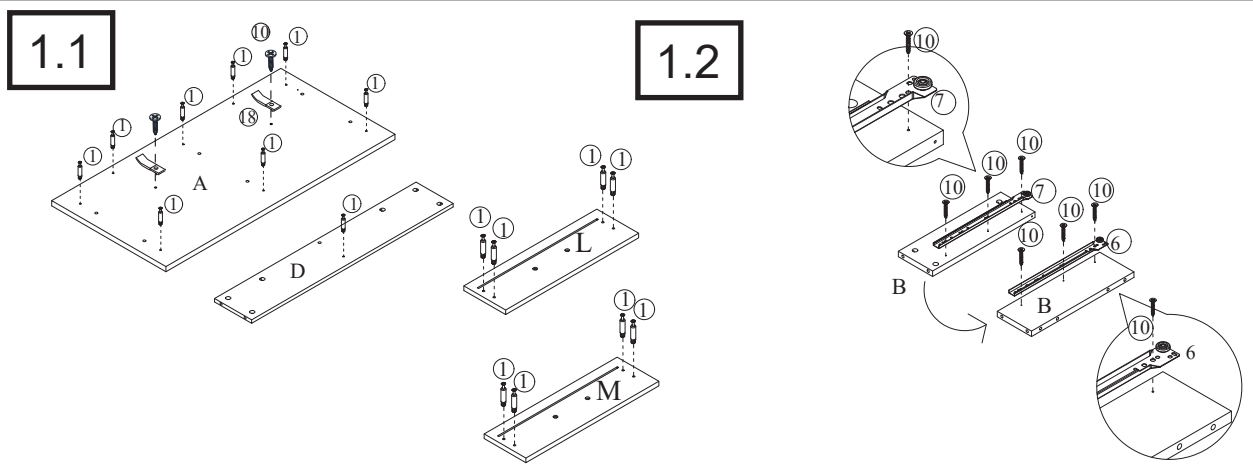
Assembly Steps

Overview



This Kitchen cart has multiple parts and may require up to 30 minutes to assemble. To give you an overview of the Cabinet parts, the above picture is to help you put the various parts into perspective. Please read through the instructions below to familiarise yourself with the parts and steps before assembly.

Step 1

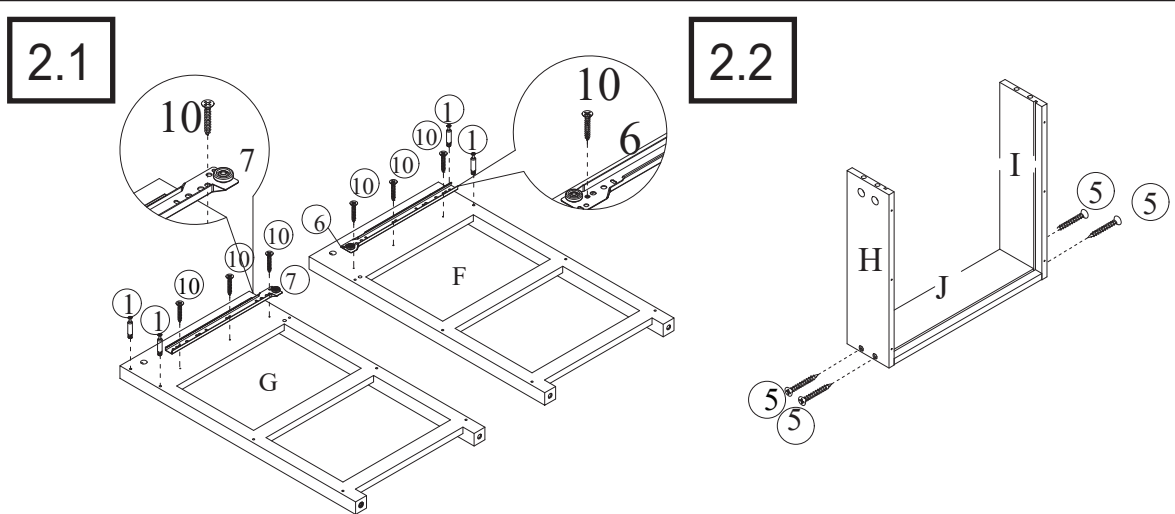


1.1) Insert Cam Bolt (1) into the mounting positions on Top Panel (A) and Back Board (D)
Insert Cam Bolt (1) into the mounting positions on Drawer Front Board (L) and
Drawer Front Board (M)

Attach Drawer Stopper (18) to Top Panel (A) with Screw (10).

1.2) Attach the Left Guide Rail (6) and Right Guide Rail (7)
to the different face of Drawer divide board (B) with Screw (10).

Step 2



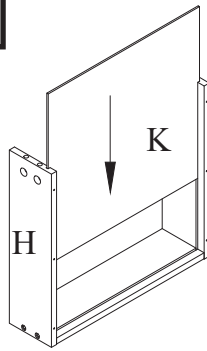
2.1) Attach the Left Guide Rail (6) and Right Guide Rail (7)
to the Right Side Panel (G) and Left Side Panel (F) with Screw (10).

Insert Cam Bolt (1) into the mounting positions on
Right Side Panel (G) and Left Side Panel (F)

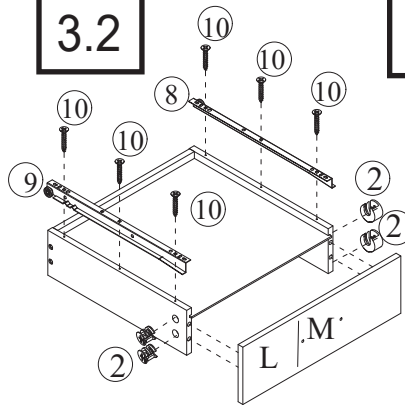
2.2) Attach Drawer Left Panel (H) and Drawer Right Panel (I)
to the Drawer Right Panel (J) with Screw (5).

Step 3

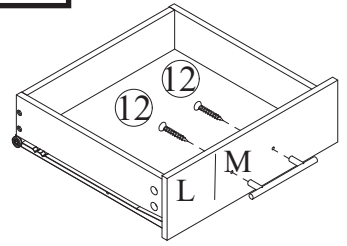
3.1



3.2



3.3



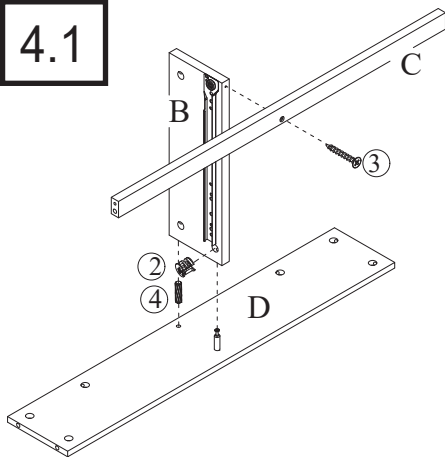
3.1) Insert Drawer Bottom Board (K) into on Drawer Left Panel (H) .

3.2) Attach the Left Guide Rail (8) and Right Guide Rail (9) to the different face of Drawer Left Panel (H) and Drawer Right Panel (I) with Screw (10). Insert Cam Nut (2) into the mounting positions on the Drawer Left Panel (H) and Drawer Right Panel (I) .

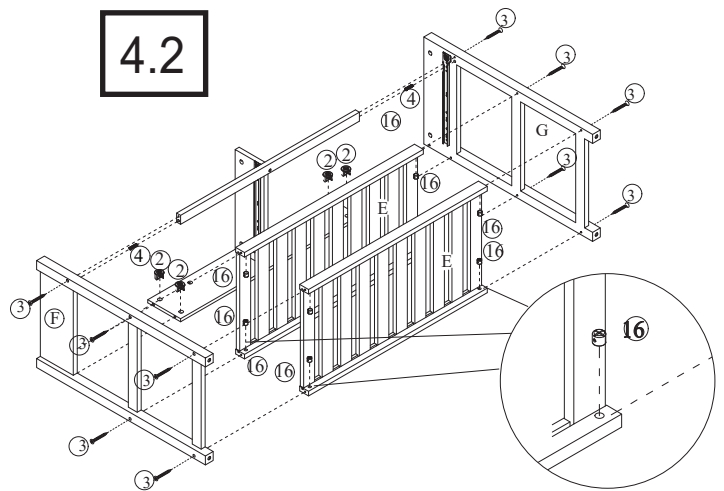
3.3) Attach Handle (11) to Drawer Front Board (L/M) with Screw (12).

Step 4

4.1



4.2



4.1) Attach Right Side Panel (C) to Drawer divide board (B) with Screw (3).

Attach Back Board (D) to Drawer divide board (B) with Cam Nut (2) and Dowel (4).

4.2) Attach Left Side Panel (F) to Shelf Board (E) with Screw (3) and Flat nut (16).

Attach Right Side Panel (G) to Shelf Board (E) with Screw (3) and Flat nut (16) .

Attach Left Side Panel (F) to Shelf Board (C) with Dowel (4).

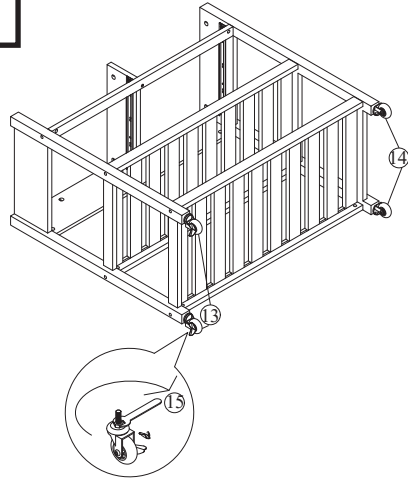
Attach Right Side Panel (G) to Shelf Board (C) with Dowel (4).

Attach Right Side Panel (G) to Shelf Board (D) with Cam Nut (2).

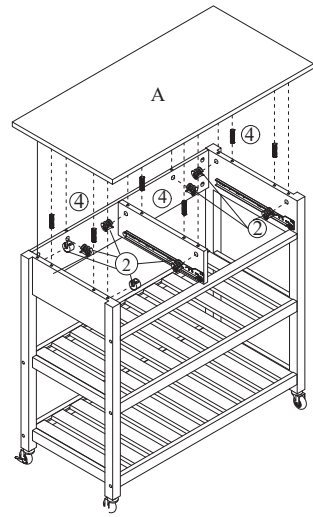
Attach Left Side Panel (F) to Shelf Board (D) with Cam Nut (2).

Step 5

5.1



5.2



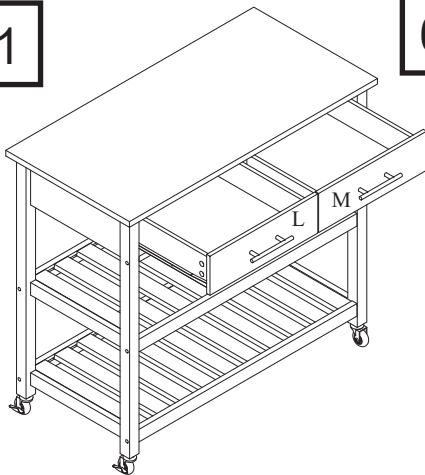
5.1) Attach wheel ⑬ to Left Side Panel (F) with Wrench ⑮.

Attach wheel ⑭ to Left Side Panel (F) with Wrench ⑮.

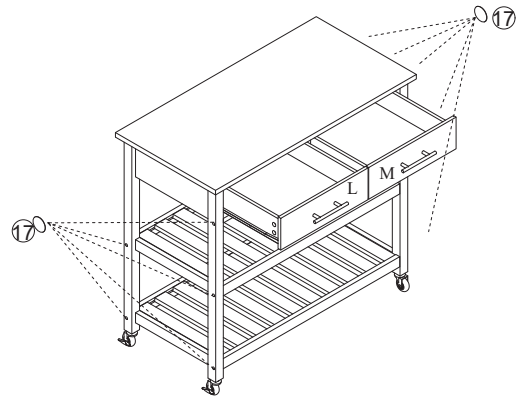
5.2) Attach Top Panel (A) to Left Side Panel (F) and Right Side Panel (G) with Cam Nut ② and Dowel ④.

Step 6

6.1



6.2



6.1) Insert Drawer Front Board (L/M) into the mounting positions on Left Side Panel (F) and Right Side Panel (G).

6.2) Attach Pad ⑰ to the side of four legs of the Cabinet to cover the hole.

Your Kitchen cart is ready for use.

This Kitchen cart can only be used on a flat, level surface.

Care & Maintenance



- Furniture may scratch floors. We recommend using furniture pads to protect your floors.



- Do not put hot items directly on furniture surface.



- Do not clean furniture with harsh cleansers or polish.



- Do not place furniture under direct sunlight.



- Do not place furniture near heating or cooling vents.



- Do not write on furniture without a padded barrier to protect the surface.



- Do not place furniture outside . For indoor use only.



- Not for commercial use. For residential use only.



- Stains may be removed with mild soap solution and damp cloth.



- Children should not climb or jump on the furniture.



- Dust and pick-up spills using a clean, non-colored, lint-free cloth.