

# WARNING!!

Children have died from furniture tipover. Tip restraints have been included with this product; you must install the tip restraints according to these instructions in order to minimize the risk of furniture tipping. If you have any questions about this product or the tip restraint, please send us an email at [tip\\_restraint\\_help@Noblehousefurniture.com](mailto:tip_restraint_help@Noblehousefurniture.com)

NEVER allow children to climb or hang on furniture, including drawers or cabinet doors.

In addition to installing the restrains, to help prevent tip-over

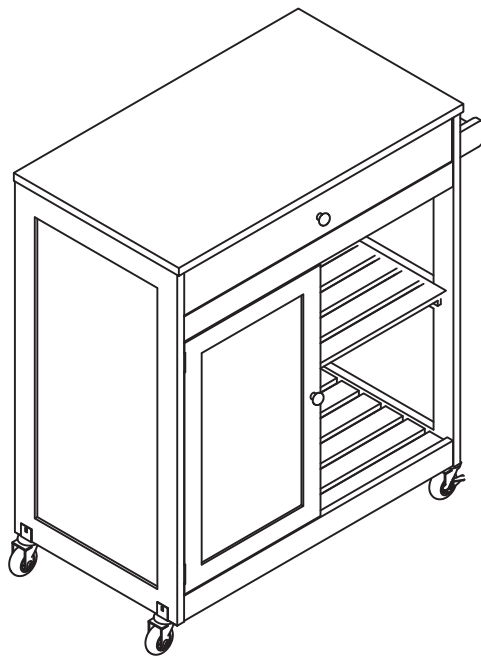
1. NEVER put a TV or other heavy objects on top of this product".
2. Do not stand on the product

<b>⚠ WARNING</b>	
	<p><b>Children have died from furniture tipover. To reduce the risk of furniture tipover:</b></p> <ul style="list-style-type: none"><li>• ALWAYS install tipover restraint provided.</li><li>• NEVER put a TV on this product.</li><li>• NEVER allow children to stand, climb or hang on drawers, doors, or shelves.</li><li>• NEVER open more than one drawer at a time.</li><li>• Place heaviest items in the lowest drawers.</li><li>• Do not defeat or remove the drawer interlock system.</li></ul>
	<p><i>This is a permanent label. Do not remove!</i></p>

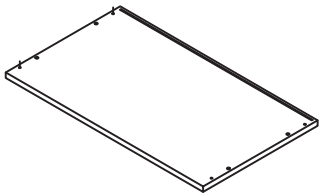
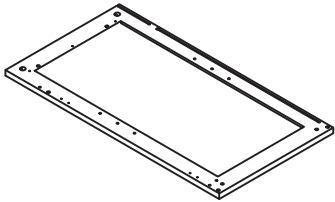
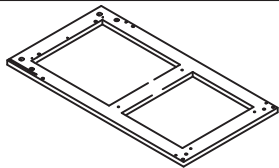
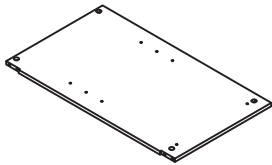
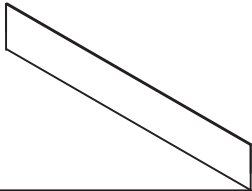
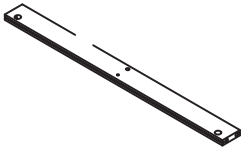
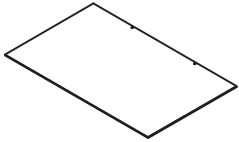
# Assembly Instructions

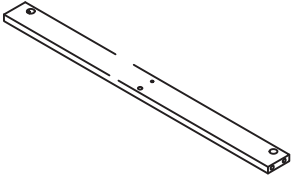
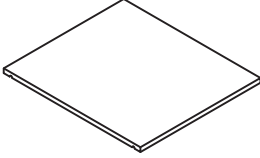
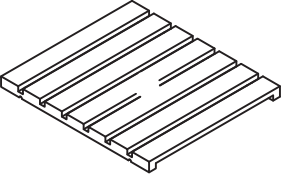
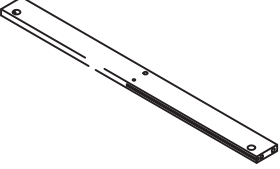
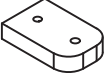

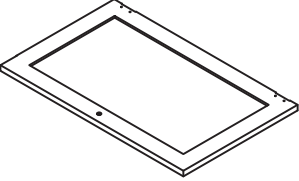
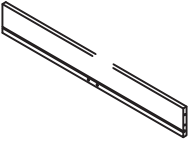
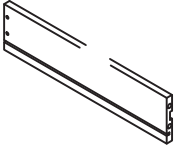
Caution : You must read this before you proceed

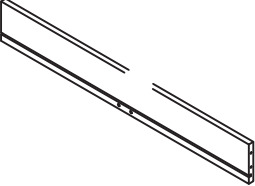

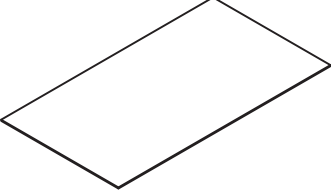
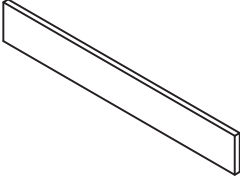
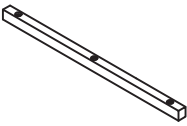
## kitchen cart



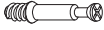

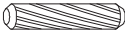
# Parts List

Label	Picture	Description	QTY
A		Top Panel	1
B		Left Side Panel	1
C		Right Side Panel	1
D		middle shelf board	1
E		Up Back Panel	1
F		Back plate bar	1
G		Down Back Panel	1



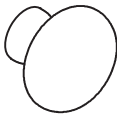

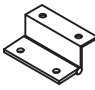


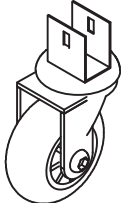
H		front Panel	2
I		Left shelf board	2
J		right shelf board	2
K		front plate bar	1
L		Roll Bar	2
M		Wood Handle	1
N		door panel	1
O		Drawer Back Panel	1
P		Drawer Right Panel	1

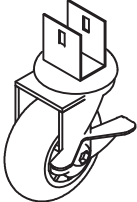



Q		Drawer Left Panel	1
R		Drawer Stand Panel	1
S		Drawer Bottom Panel	1
T		Drawer Front Panel	1
U		wooden drawer rail	2

## Hardware

Label	Picture	Description	QTY
①		Cam Bolt(M6X35mm)	22
②		Cam Nut(M15X9mm)	22
③		Dowel (M8x30mm)	17

④		Dowel (M8X20mm)	5
⑤		Screw (M4x25mm)	15
⑥		Screw (M3X12mm)	13
⑦		Screw (M3X14mm)	3
⑧		Screw (M3X12mm)	3
⑨		Screw (M6X30mm)	5
⑩		Screw (M6X45mm)	3
⑪		Nut(M6)	5

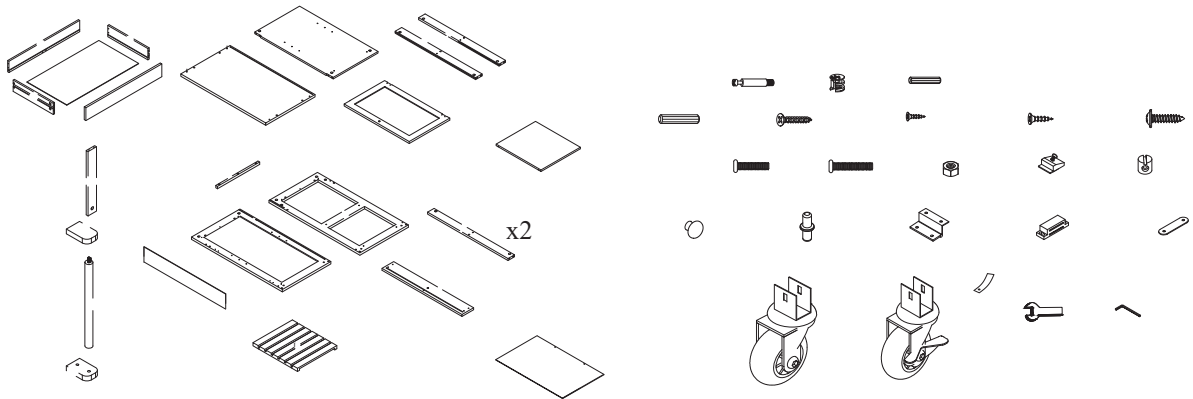
12		Back buckle (M3X14mm)	8
13		Flat nut	3
14		Knob	2
15		Door Pin	16
16		Hinge	2
17		Magnet	1
18		Magnetic Bar	1
19		wheel	2

20		wheel	2
21		Restraint Strap	1
22		Wrench	1
23		Hexagon wrench	1



# Assembly Preparation

Before Beginning Assembly:



- Read instructions, cover to cover-



- Have 2 adults on hand for assembly-



- Do not assemble on flooring or carpet-



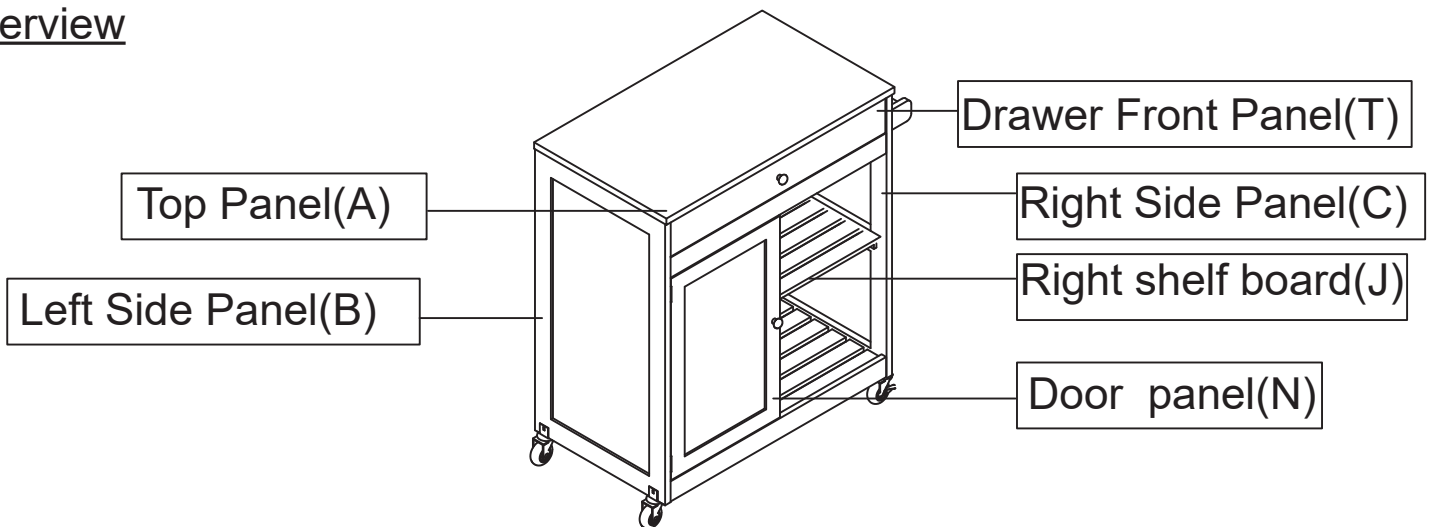
- Assemble on a clean non-marring surface (packing foam)-



- Save all packaging until finished-

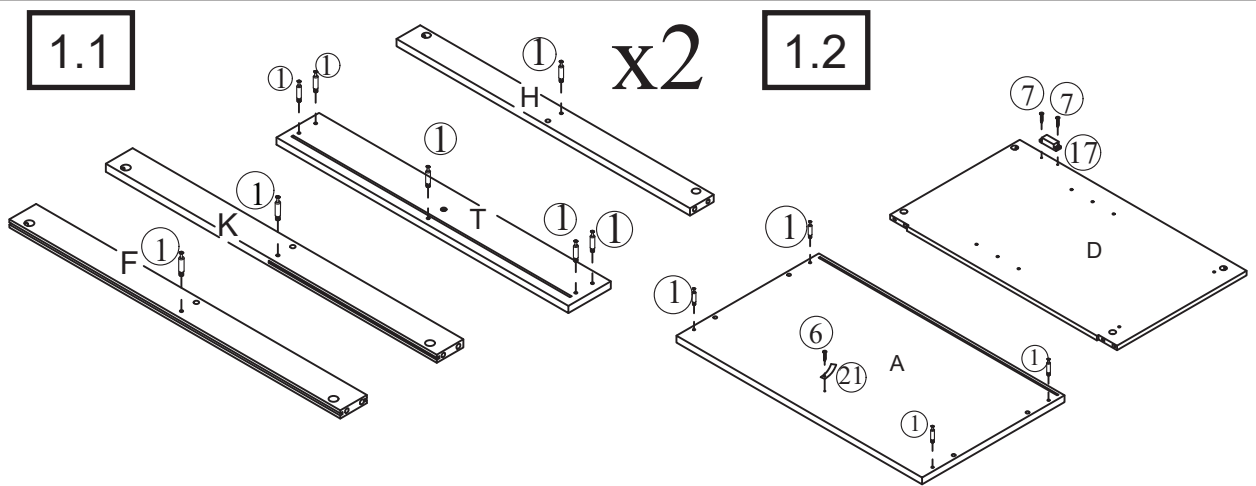
# Assembly Steps

## Overview



This Kitchen cart has multiple parts and may require up to 30 minutes to assemble. To give you an overview of the Kitchen cart parts, the above picture is to help you put the various parts into perspective. Please read through the instructions below to familiarise yourself with the parts and steps before assembly.

## Step 1

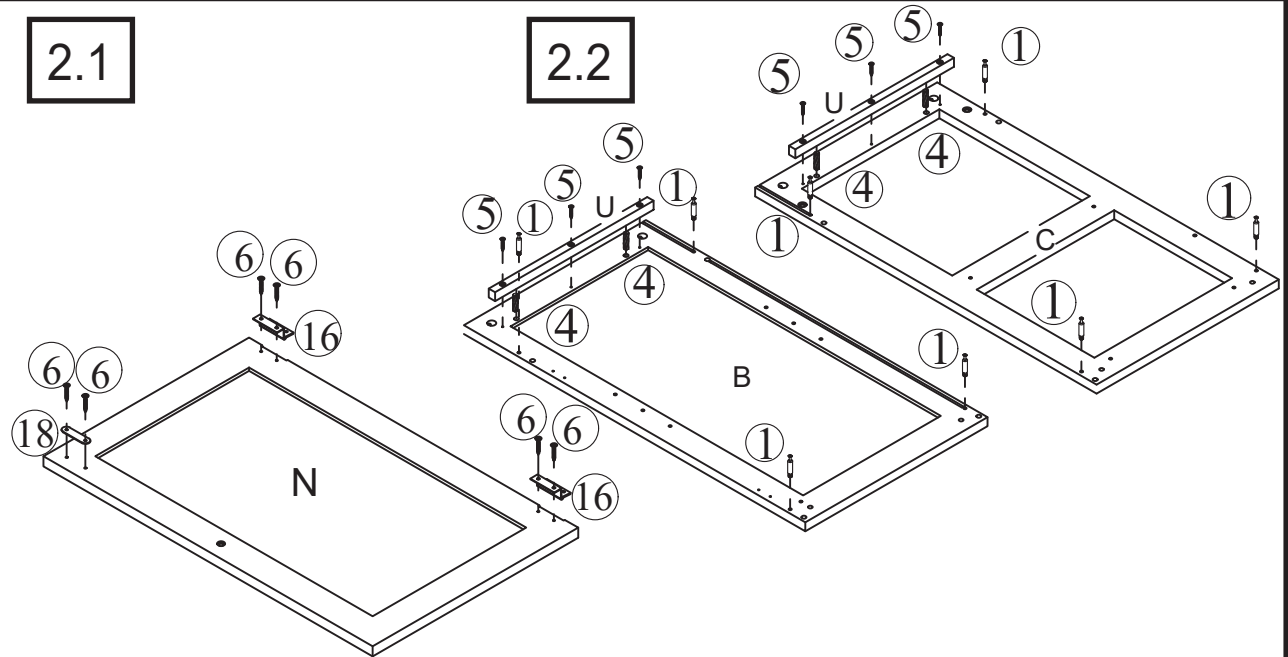


1.1) Insert Cam Bolt (1) into the mounting positions on Back plate bar (F)  
Drawer Front Panel (T) front Panel (H) front plate bar (K)

1.2) Attach Magnet (17) to the Left Side Panel (D) with Screw (7).

Insert Cam Bolt (1) into the mounting positions on Top Panel (A)  
Attach Restraint Strap (21) to Top Panel (A) with Screw (6).

## Step 2

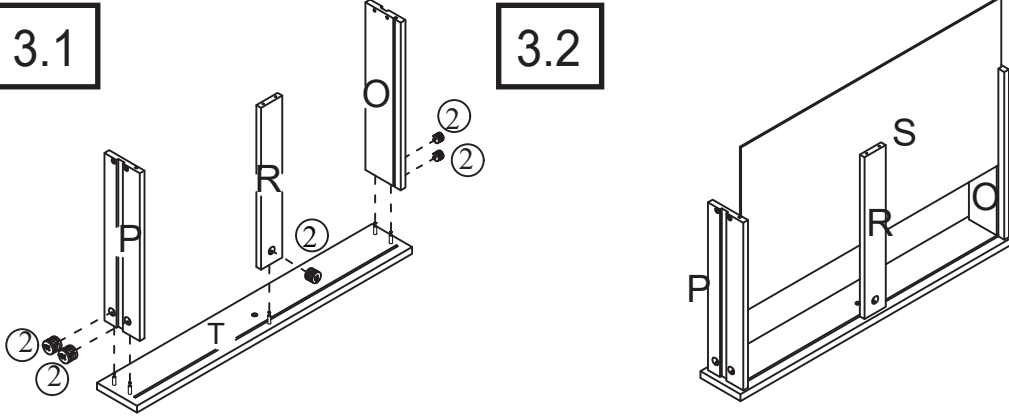


2.1) Attach Hinge (6) to door plank (N) with Screw (6) Attach Magnetic Bar (18) to door panel (N) with Screw (6)

2.2) Insert Cam Bolt (1) into the mounting positions on  
Left Side Panel (B), Right Side Panel (C)

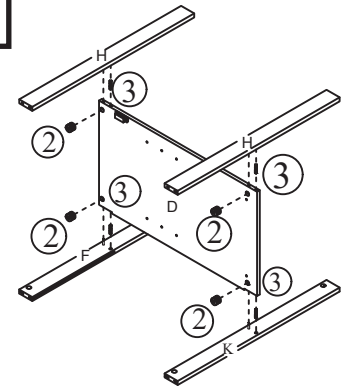
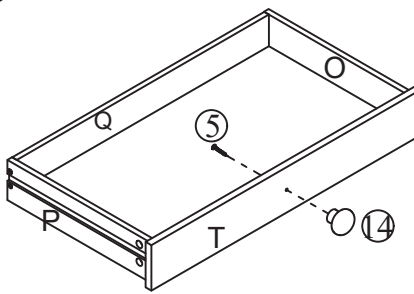
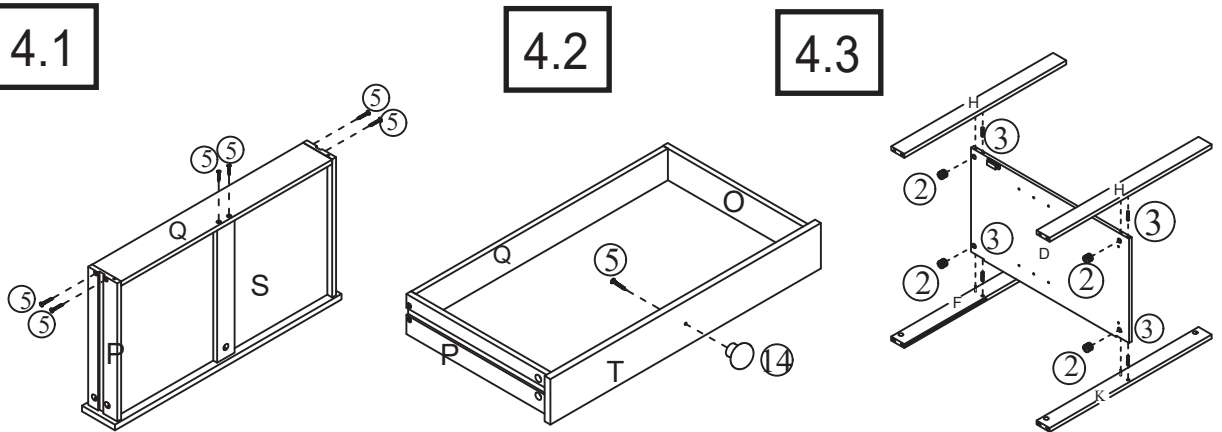
Attach wooden drawer rail (U) to the Left Side Panel (B) and Right Side Panel (C)  
with Dowel (4) Screw (5)

## Step 3



- 3.1) Attach Drawer Right Panel (P) to Drawer Front Panel (T) with Cam Nut (2).  
Attach Drawer Stand Panel (R) to Drawer Front Panel (T) with Cam Nut (2).  
Attach Drawer Back Panel (O) to Drawer Front Panel (T) with Cam Nut (2).
- 3.2) Insert Drawer Bottom Panel (S) into the mounting positions on Drawer Front Panel (T).

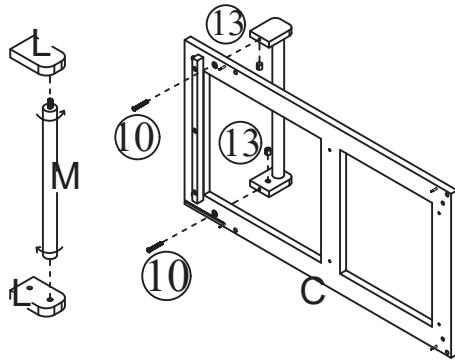
## Step 4



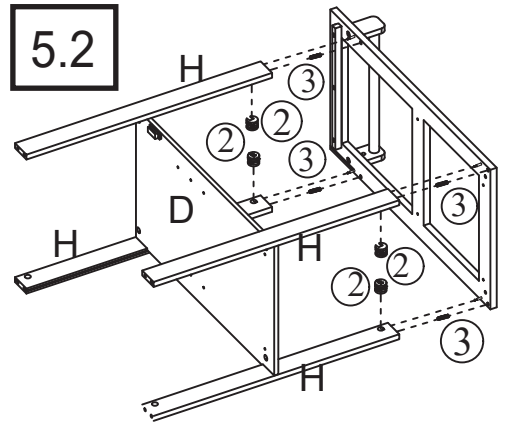
- 4.1) Attach Drawer Left Panel (Q) to Drawer Right Panel (P) with Screw (5).
- 4.2) Attach Knob (14) to middle shelf board (T) with Screw (5).
- 4.3) Attach front Panel (H) to middle shelf board (D) with Cam Nut (2) and Dowel (3).  
Attach Back plate bar (F) to middle shelf board (D) with Cam Nut (2) and Dowel (3).  
Attach front plate bar (K) to middle shelf board (D) with Cam Nut (2) and Dowel (3).

## Step 5

5.1



5.2



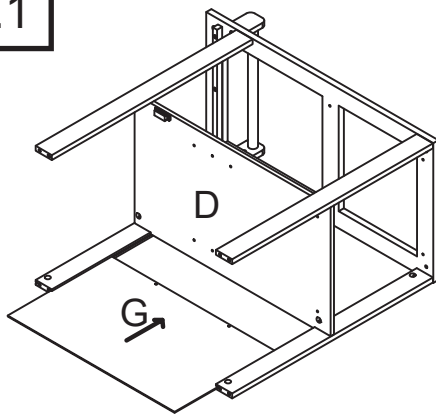
5.1) Place Roll Bar(L) onto Wood Handle(M).

Attach Wood Handle(M) to the Left Side Panel(C) with Screw(10) and Flat nut(13).

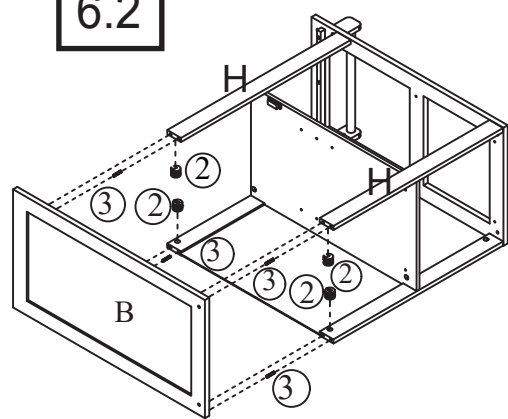
5.2) Attach Right Side Panel(C) to front Panel(H) with Cam Nut(2) and Dowel(3).

## Step 6

6.1



6.2

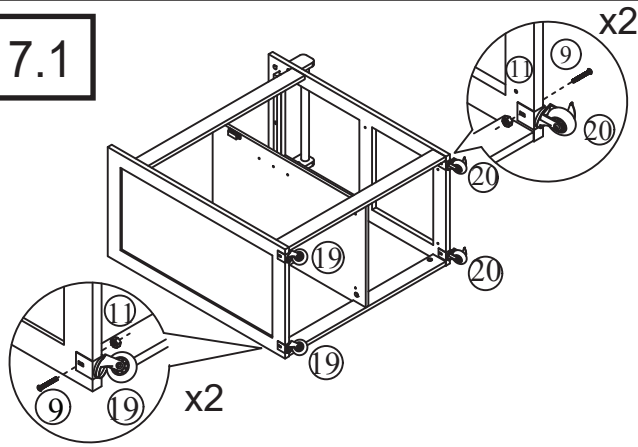


6.1) Insert Down Back Panel (G) into the mounting positions on Back plate bar(F).

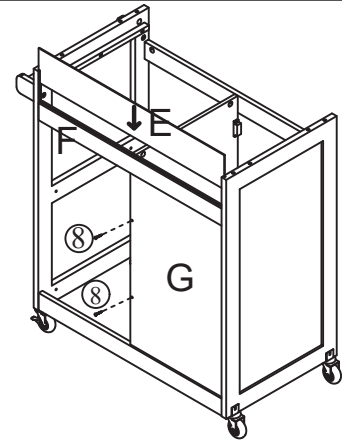
6.2) Attach Left Side Panel (B) to Back plate bar(F) with Cam Nut(2) and Dowel(3).

## Step 7

7.1



7.2



7.1) Attach wheel ⑱ to Left Side Panel (B) with Screw ⑨ and Nut ⑪ .

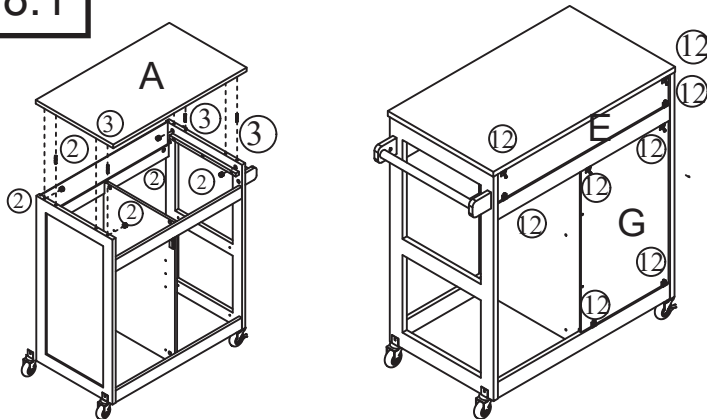
Attach wheel ⑱ to Right Side Panel (C) with screw ⑨ and Nut ⑪.

7.2) Insert Screw ⑧ into the mounting positions on Down Back Panel (G)

Insert Up Back Panel (E) into the mounting positions on Back plate bar (F).

## Step 8

8.1

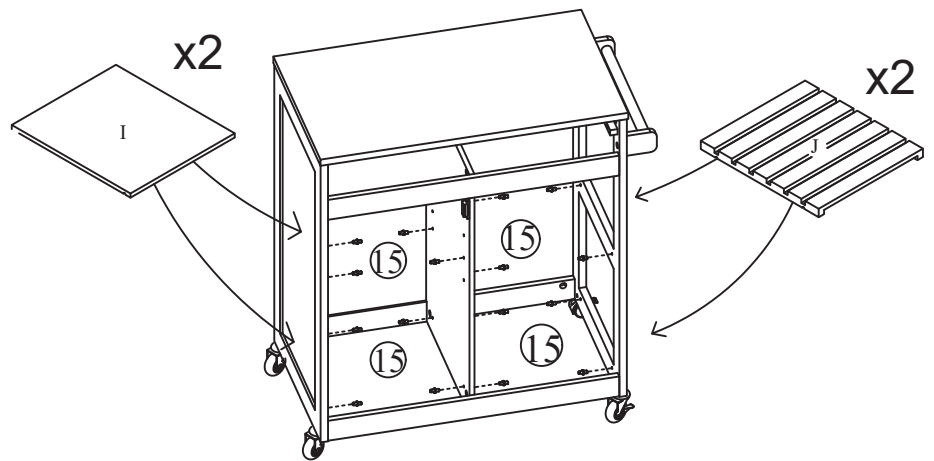


8.1) Attach Top Panel (A) to Right Side Panel (C) with Cam Nut ② and Dowel ③.

8.2) Insert Back buckle ⑫ into the mounting positions on Down Back Panel (G)

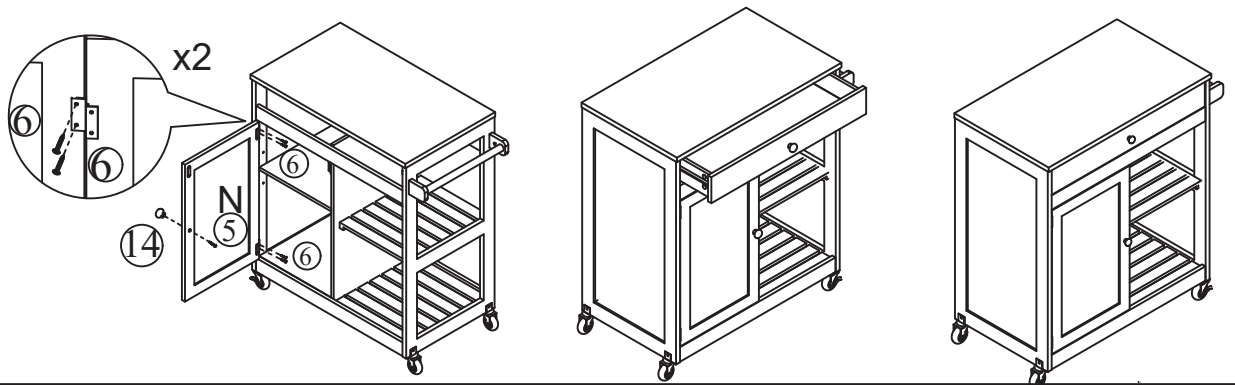
Insert Back buckle ⑫ into the mounting positions on Up Back Panel (E)

## Step 9



- 9.1) Insert Door Pin ⑮ into the mounting positions on Left Side Panel (B) .  
Insert Door Pin ⑮ into the mounting positions on Right Side Panel (C) .  
Insert Door Pin ⑮ into the mounting positions on middle shelf board (D) .  
Insert right shelf board (J) into the mounting positions on middle shelf board (D) .  
Insert Left shelf board (I) into the mounting positions on middle shelf board (D) .

## Step 10



- 10.1) Attach door plank (N) to Left Side Panel (B) with Screw ⑥  
Attach Knob ⑭ to door panel (N) with Screw ⑤.

Your Kitchen cart is ready for use.

**This Kitchen cart can only be used on a flat, level surface.**

## Care & Maintenance



- Furniture may scratch floors. We recommend using furniture pads to protect your floors.



- Do not put hot items directly on furniture surface.



- Do not clean furniture with harsh cleansers or polish.



- Do not place furniture under direct sunlight.



- Do not place furniture near heating or cooling vents.



- Do not write on furniture without a padded barrier to protect the surface.



- Do not place furniture outside . For indoor use only.



- Not for commercial use. For residential use only.



- Stains may be removed with mild soap solution and damp cloth.



- Children should not climb or jump on the furniture.



- Dust and pick-up spills using a clean, non-colored, lint-free cloth.