

WARNING!!

Children have died from furniture tipover. Tip restraints have been included with this product; you must install the tip restraints according to these instructions in order to minimize the risk of furniture tipping. If you have any questions about this product or the tip restraint, please send us an email at tip_restraint_help@Noblehousefurniture.com

NEVER allow children to climb or hang on furniture, including drawers or cabinet doors.

In addition to installing the restrains, to help prevent tip-over

1. **NEVER** put a TV or other heavy objects on top of this product".
2. Do not stand on the product

⚠ WARNING	
	<p>Children have died from furniture tipover. To reduce the risk of furniture tipover:</p> <ul style="list-style-type: none">• ALWAYS install tipover restraint provided.• NEVER put a TV on this product.• NEVER allow children to stand, climb or hang on drawers, doors, or shelves.• NEVER open more than one drawer at a time.• Place heaviest items in the lowest drawers. <p><i>This is a permanent label. Do not remove!</i></p>
	

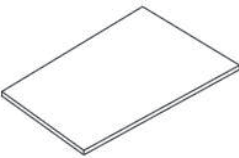
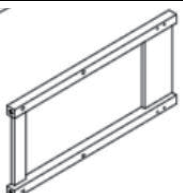
Assembly Instructions

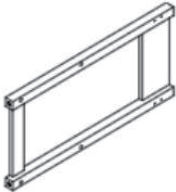
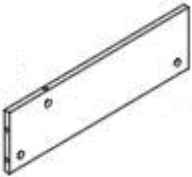




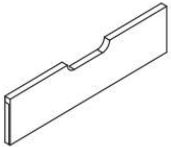

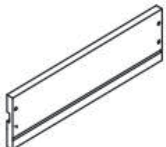
Caution : You must read this before you proceed

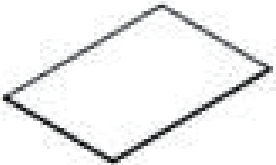
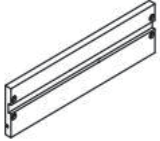
Kitchen Cart







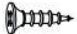
Parts List

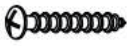








Label	Picture	Description	QTY
A		Top Panel	1
B		Left Side Panel	1

C		Right Side Panel	1
D		Back Panel	1
E		Drawer Stand Panel	1
F		Stand Panel	2
G		Roll Bar	2
H		Wood Handle	1
I		Drawer Front Panel	2
J		Drawer Back Panel	1
K		Drawer Right Panel	1

L		Drawer Bottom Panel	1
M		Drawer Left Panel	1

Hardware

Label	Picture	Description	QTY
①		Cam Bolt	9
②		Cam Nut	9
③		Dowel (M8x30mm)	7
④		Screw (M4x25mm)	12
⑤		Screw (M3x12mm)	6

⑥		Screw (M4x45mm)	5
⑦		Screw (M5x55mm)	9
⑧		Door Knob	9
⑨		Wrench	1
⑩		Wheel	2
⑪		Wheel (with brake)	2
⑫		Cork	2
⑬		Plastic Drawer Slide	2
⑭		Drawer Stopper	1

14

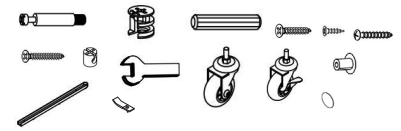
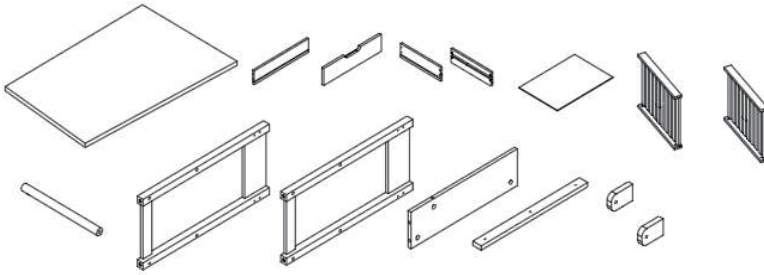


sticker

8

Assembly Preparation

Before Beginning Assembly:



• Read instructions, cover to cover-



• Have 2 adults on hand for assembly-



• Do not assemble on flooring or carpet-



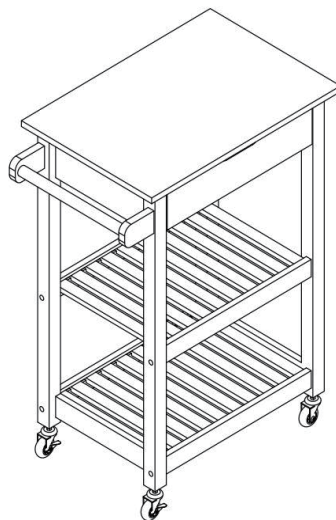
• Assemble on a clean non-marring surface (packing foam)-



• Save all packaging until finished-

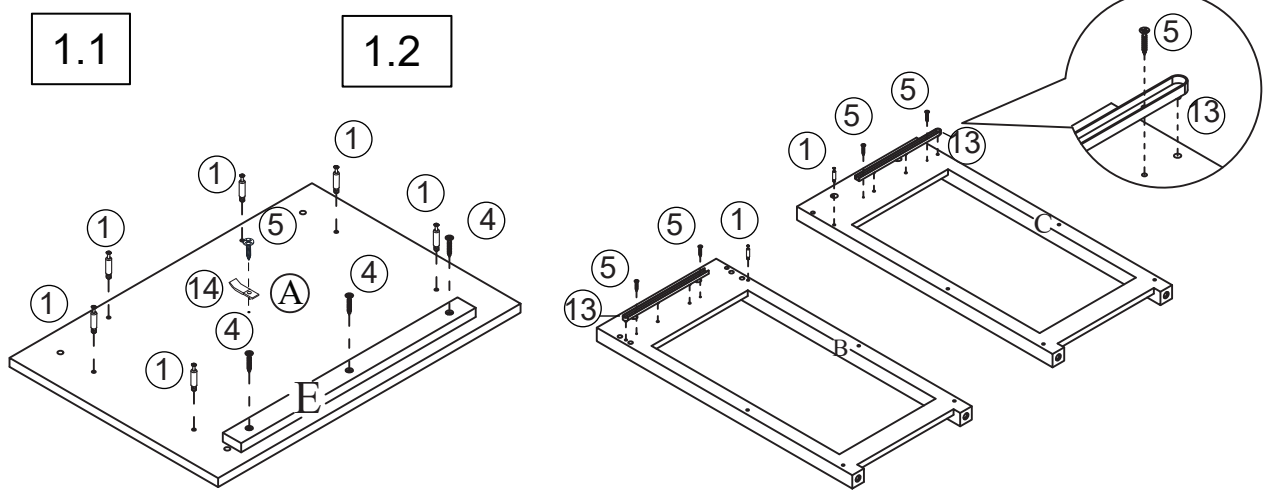
Assembly Steps

Overview



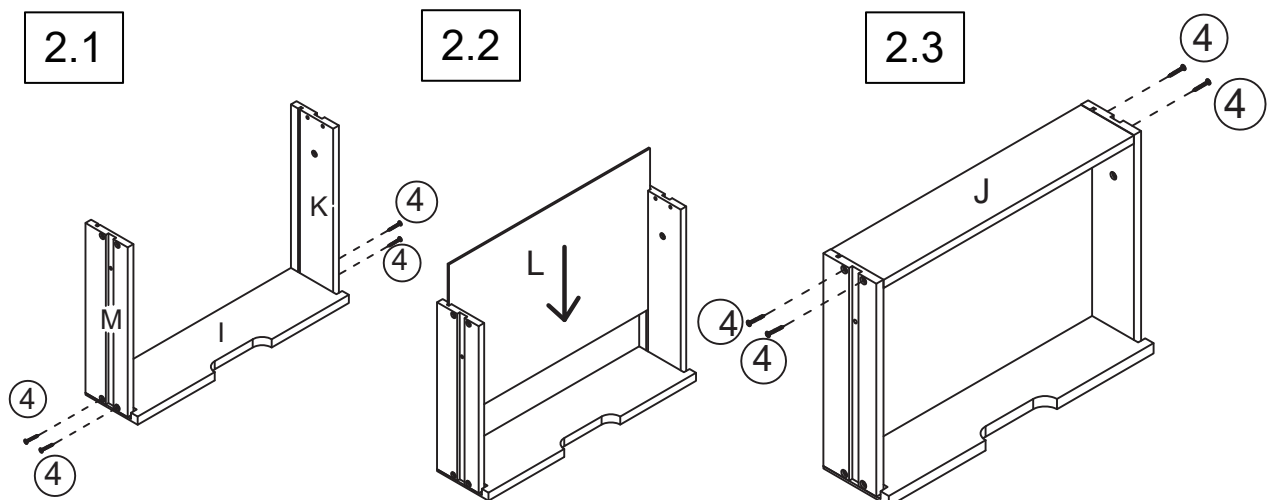
This Kitchen Cart has multiple parts and may require up to some 30 minutes to assemble. To give you an overview of the Kitchen Cart parts, the above picture is to help you put the various parts into perspective. Please read through the instructions herebelow to familiarise the parts and steps before assembly.

Step 1



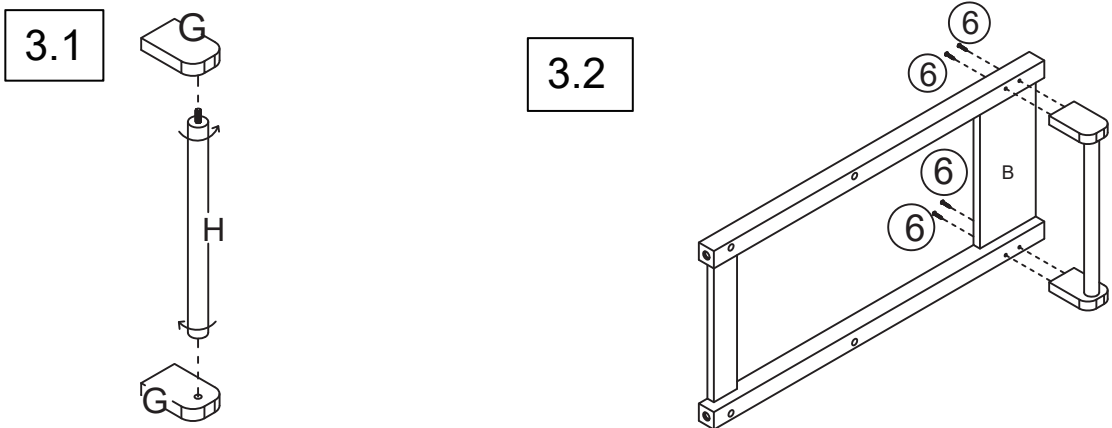
- 1.1) Insert Cam Bolt ① into the mounting positions on Top Panel(A)
 Attach Drawer Stopper ⑭ to Top Panel(A) with Screw ⑤.
- 1.2) Attach the Plastic Drawer Slide ⑬ to the Left Side Panel(B) and
 Right Side Panel(C) with Screw ⑤ .
 Insert Cam Bolt ① into the mounting positions on the Left Side
 Panel(B) and Right Side Panel(C).

Step 2



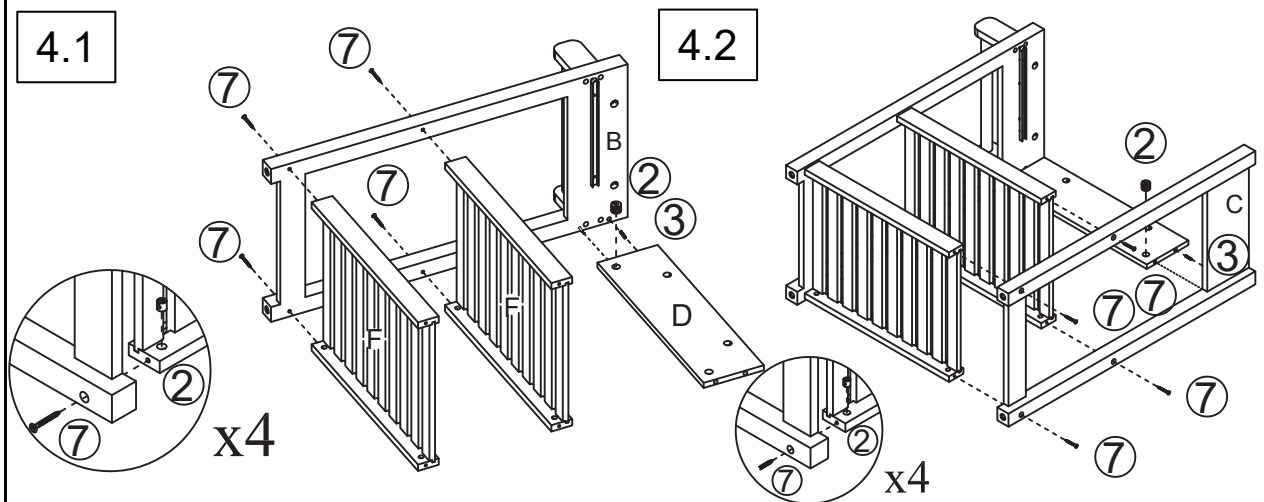
- 2.1) Attach Drawer Right Panel(K) and Drawer Left Panel(M) to Drawer Front Panel(I) using Screw ④ .
- 2.2) Attach Drawer Bottom Panel(L) to Drawer Front Panel(I).
- 2.3) Attach Drawer Right Panel(K) and Drawer Left Panel(M) to Drawer Back Panel(J) using Screw ④ .

Step 3



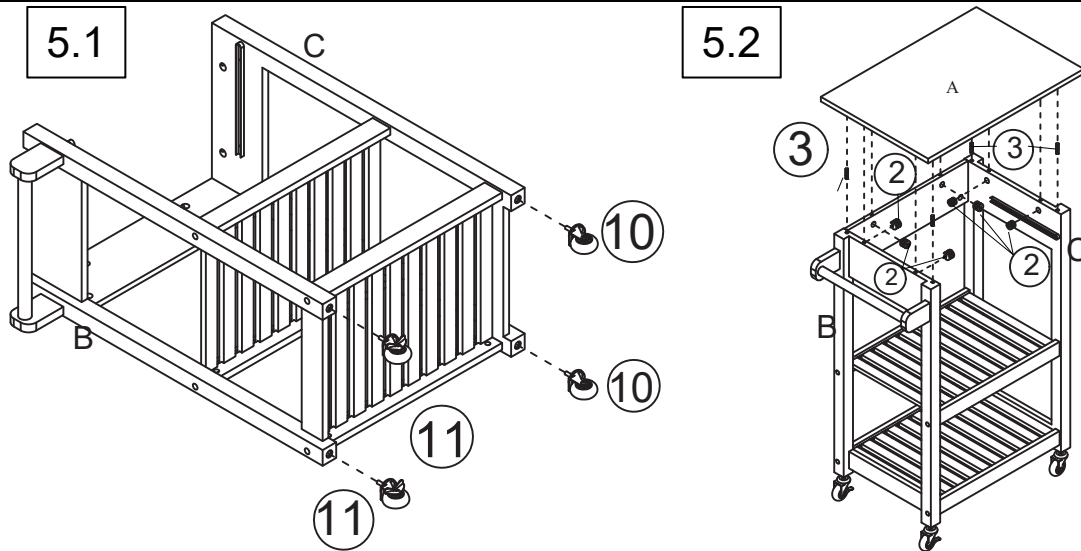
- 3.1) Attach Wood handle (H) to the Roll Bar (G) .
- 3.2) Attach the Roll Bar (G) to the Left Side Panel(B) with Screw ⑥ .

Step 4



- 4.1) Attach Stand Panel (F) and Back Panel (D)) to Left Side Panel (B) with Screw⑦.Dowel ③ and Cam Nut②.
- 4.2) Attach Stand Panel (F) and Back Panel (D)to Right Side Panel (C)with Screw⑦.Dowel ③and Cam Nut②.

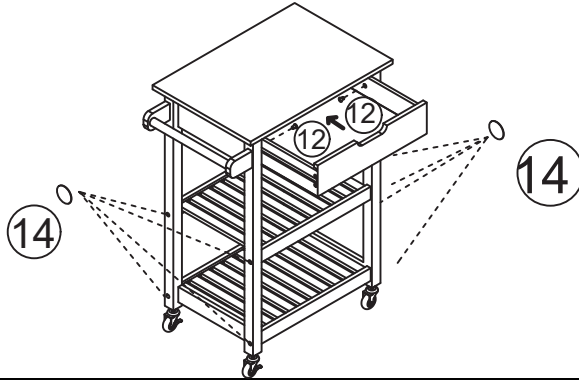
Step 5



5.1) Insert Wheels ⑩ and Wheel with brake ⑪ into the pre-drilled mounting positions in the bottom inside of the Left Side Panel (B) and Right Side Panel (C).

5.2) Insert Dowel ③ into the pre-drilled mounting positions in the top inside of the Left Side Panel (B) and Right Side Panel (C). Insert Cam Nut ② into the pre-drilled mounting positions in the inside of the Left Side Panel (B), Right Side Panel (C) and Back Panel (D).

Step 6



Attach sticker ⑭ to the side of four legs of the Cart to cover the hole. Attach the two cork ⑫ in the two sides of drawer.

Your Kitchen cart is ready for use.

This Kitchen cart can only be used on a flat, level surface.

Care & Maintenance



- Furniture may scratch floors. We recommend using furniture pads to protect your floors.



- Do not put hot items directly on furniture surface.



- Do not clean furniture with harsh cleansers or polish.



- Do not place furniture under direct sunlight.



- Do not place furniture near heating or cooling vents.



- Do not write on furniture without a padded barrier to protect the surface.



- Do not place furniture outside . For indoor use only.



- Not for commercial use. For residential use only.



- Stains may be removed with mild soap solution and damp cloth.



- Children should not climb or jump on the furniture.



- Dust and pick-up spills using a clean, non-colored, lint-free cloth.