

WARNING!!

Furniture Tipping Risk.

Serious risk of severe or fatal crush injuries can occur from furniture tipping over if not secured.











Children like to climb on furniture and Unsecured furniture can pose a serious danger.


Please follow all instructions and install the tip-over restraints provided.

Assembly Instructions

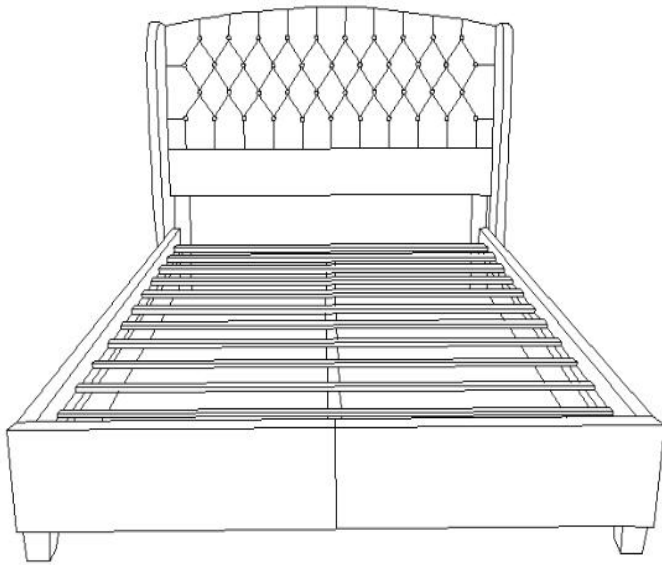
Caution : You must read this before you proceed

Care & Maintenance

- ⊘  • Not for commercial use. For residential use only.
- ✓  • Furniture may scratch floors. We recommend using furniture pads to protect your floors.
- ⊘  • Do not put hot items directly on furniture surface.
- ⊘  • Do not clean furniture with harsh cleansers or polish.
- ⊘  • Do not place furniture under direct sunlight.
- ⊘  • Do not place furniture near heating or cooling vents.
- ⊘  • Do not write on furniture without a padded barrier to protect the surface.
- ⊘  • Do not place furniture outside . For indoor use only.
- ⊘  • Stains may be removed with mild soap solution and damp cloth.
- ⊘  • Children should not climb or jump on the furniture.

- ✓  • Dust and pick-up spills using a clean, non-colored, lint-free cloth.






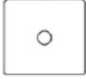
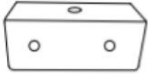
Queen Size Bed



NOTE : This Bed is NOT a TOY.
Keep your child / children at bay during the assembly process.
The BED is HEAVY.
To prevent injury to yourself or damage to the product a minimum of two adults are required whenever moving or lifting the product.

Parts List

No.	Picture	Description	Qty
A		Headboard	1
B		Headboard Panel	1
C		Headboard Left Foot	1
D		Headboard Right Foot	1
E		Side Panel	2
F		Footboard	1
G		Cross Slat With Mounting Positions	3
H		Cross Slat Without Mounting Positions	8

I		Vertical Slat	1
J		Support Foot for Vertical Slat	3
K		Footboard Foot	2
L		Left Wing	1
M		Right Wing	1
O		Wood Block	3
P		Wood block	1

Hardware

No.	Picture	Description	Qty
①		Bolt (M8X50mm)	14
②		Bolt (M8X70mm)	3
③		Spring Washer	19
④		Washer	19
⑤		Allen Key	1
⑥		Screw (2cm self-tapping)	2
⑦		Screw (5cm Self Tapping)	2
⑧		Metal Bracket	4
⑨		Restraint Strap	2
⑩		Screwdriver	Not Provided
⑪		Bolt (M8X25mm)	4
⑫		Bolt (M8X60mm)	4

Assembly Preparation

Before Beginning Assembly:

Unpack and place all parts for clear visibility.

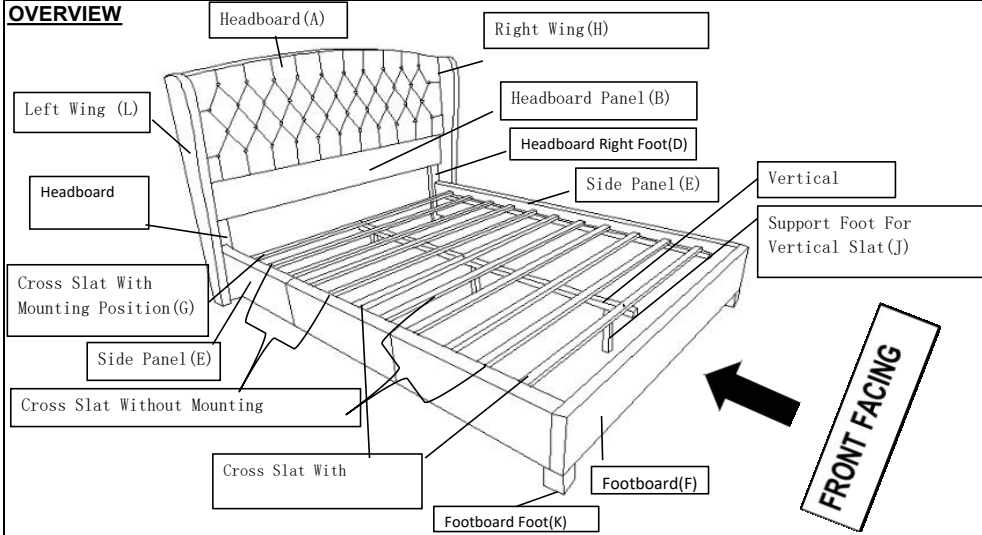
A
 B
 C
 D
 L
 M
 I
 G X3
 H X8
 KX2
 OX3
 JX3
 PX1

① X15 ② X3 ③ X19 ④ X19
 ⑤ X1 ⑥ X2 ⑦ X2 ⑧ X4 ⑨ X2
 ⑩ X1 ⑪ X4 ⑫ X4

- Read instructions, cover to cover-
- Have 2 or 3 adults on hand for assembly-
- Do not assemble on flooring or carpet-
- Assemble on a clean non-marring surface (packing foam)-
- Save all packaging until finished-

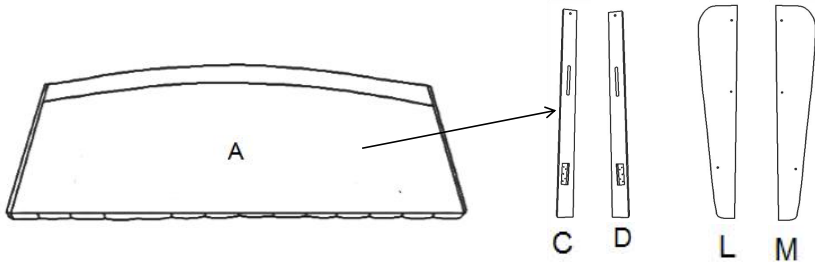
Assembly Steps

OVERVIEW



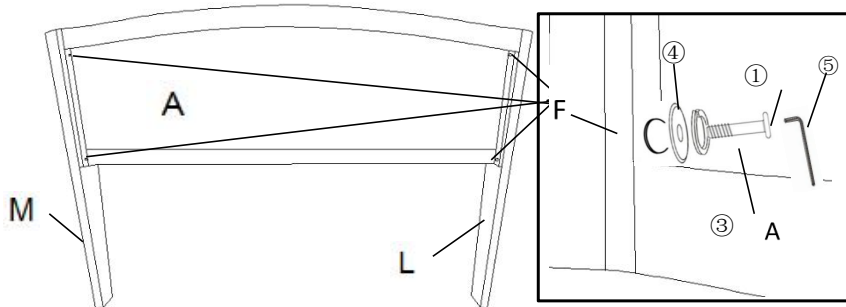
This Bed has multiple parts and may require up to 60 minutes to assemble. To give you an overview of the Bed parts, the above picture is to help you put the various Bed parts into perspective. Please read through the instructions below to familiarise yourself with the parts and steps before assembly.

Step 1



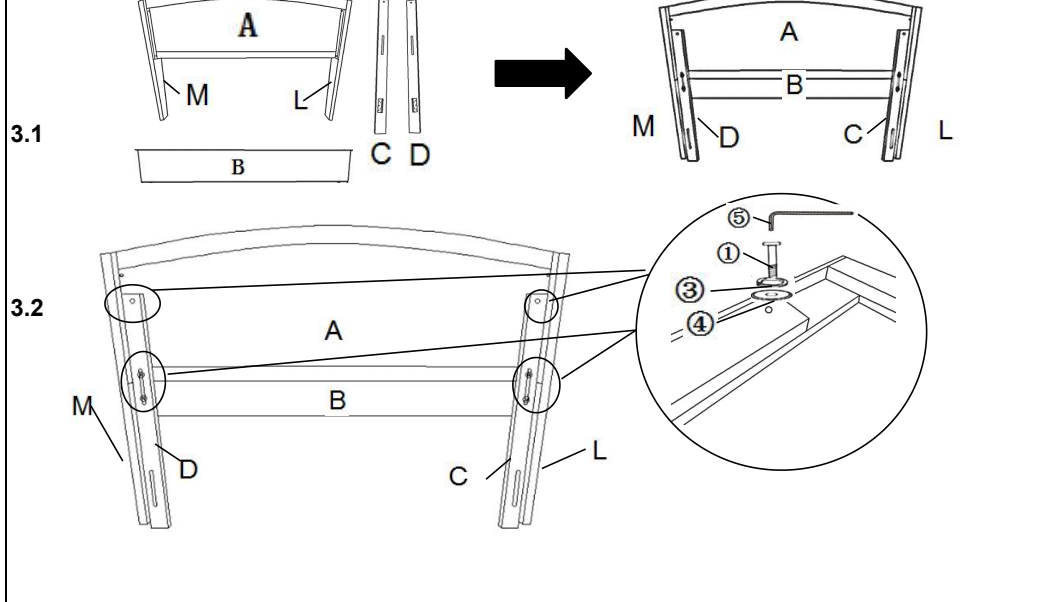
Remove Headbord Left Foot(C), Headbord Right Foot(D), Left Wing(L), and Right Wing(M) from the carton.

Step 2



Align Left Wing(L) to the Headboard(A) on the mounting position ,then attach using Bolts(1), Spring Washers(3) and Washers(4) with Allen Key(5).
 Attach Right Wing (M) to Headboard(A) using Bolts(1), Spring Washers(3) and Washers(4) with Allen Key (5).
Tighten the Bolts fully in a sequential manner.

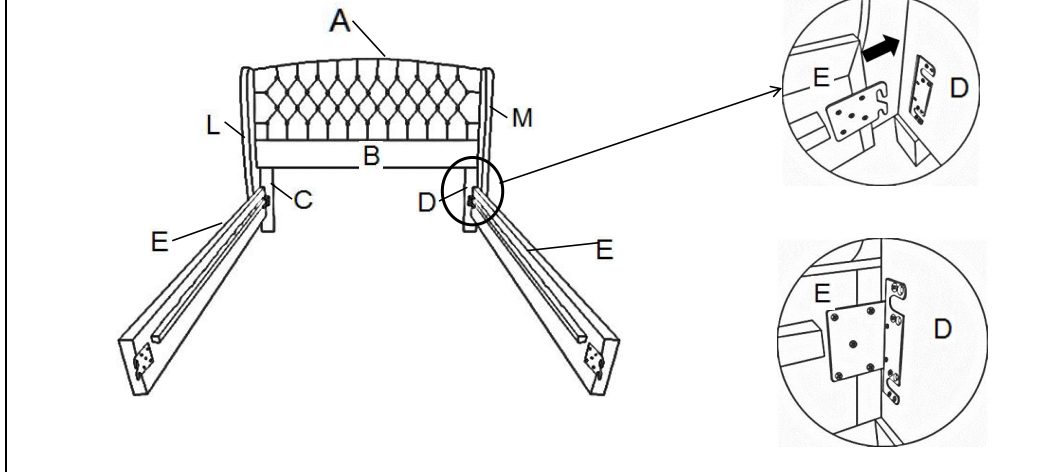
Step 3



3.1) Place the Headboard(A), Headboard Panel(B), Headboard Left Foot(C) and Headboard Right Foot(D) into position as shown.

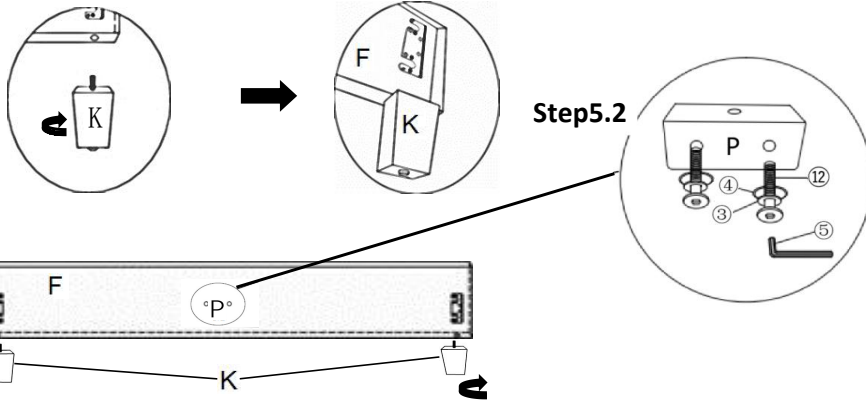
3.2) Attach the Headboard Left Foot(C) and Headboard Right Foot(D) to Headboard(A) using Bolts(1), Spring Washers(3), and Washers(4) with Allen Key(5). Then, attach the Headboard Left Foot(C) and Headboard Right Foot(D) to Headboard Panel(B) using Bolts(1), Spring Washers(3), and Washers(4) with Allen Key(5).
Tighten the Bolts fully in a sequential manner.

Step 4



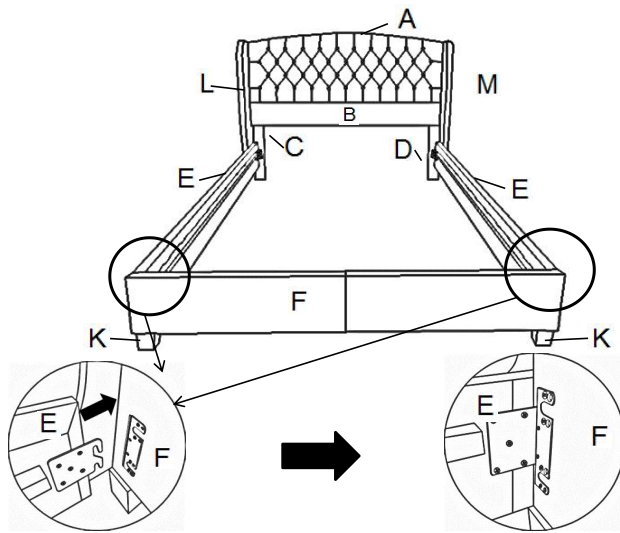
Attach Side Panel(E) to Headboard Left Foot(C) and Headboard Right Foot(D) by sliding the iron plates onto the Bolts as shown.

Step 5



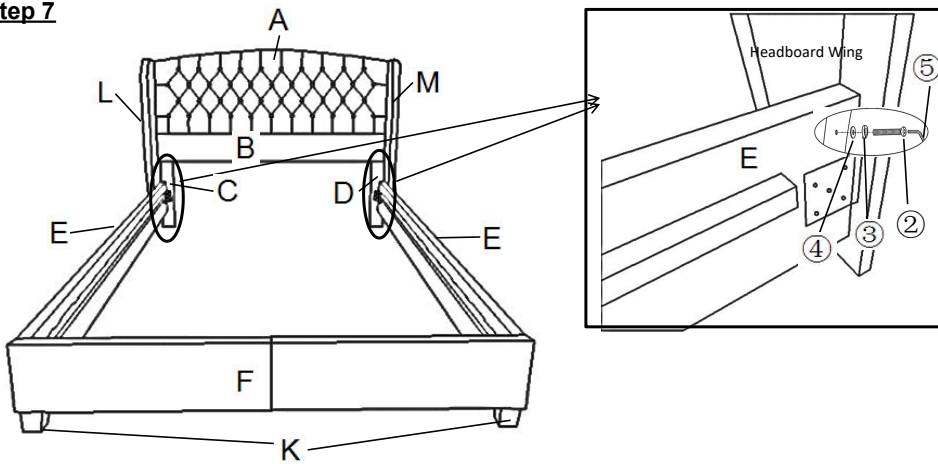
5.1) Attach Footboard Foot(K) to Footboard(F) by inserting the threaded stem of the Foot and turning clockwise until secure. 5.2) Attach the Wood Block(P) onto the Footboard(F) using Bolts(12), Spring Washers(3), and Washers(4) with Allen Wrench(5)
The bulge from the Leg should face inside when finished.

Step 6



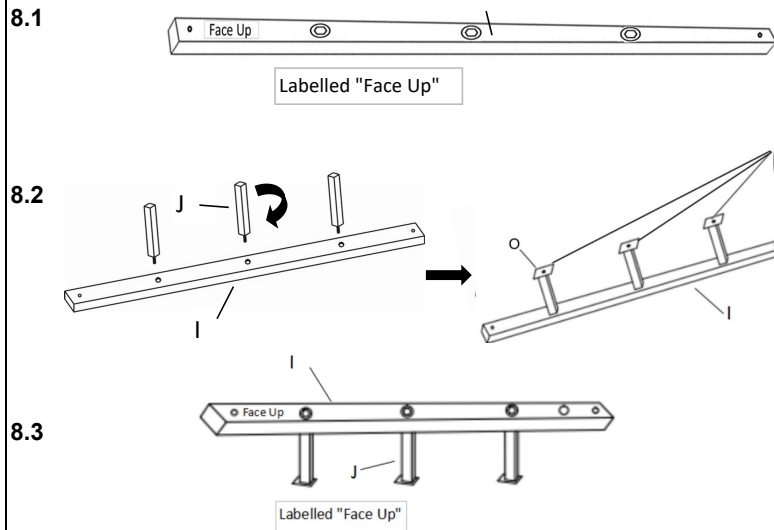
Attach Side Panel(E) to Footboard(F) by sliding the Metal Plates onto the Bolts as shown.
First insert the Metal Plate, then press it down lightly.
The Side Panel(E) should rest on the Footboard Foot(K).

Step 7



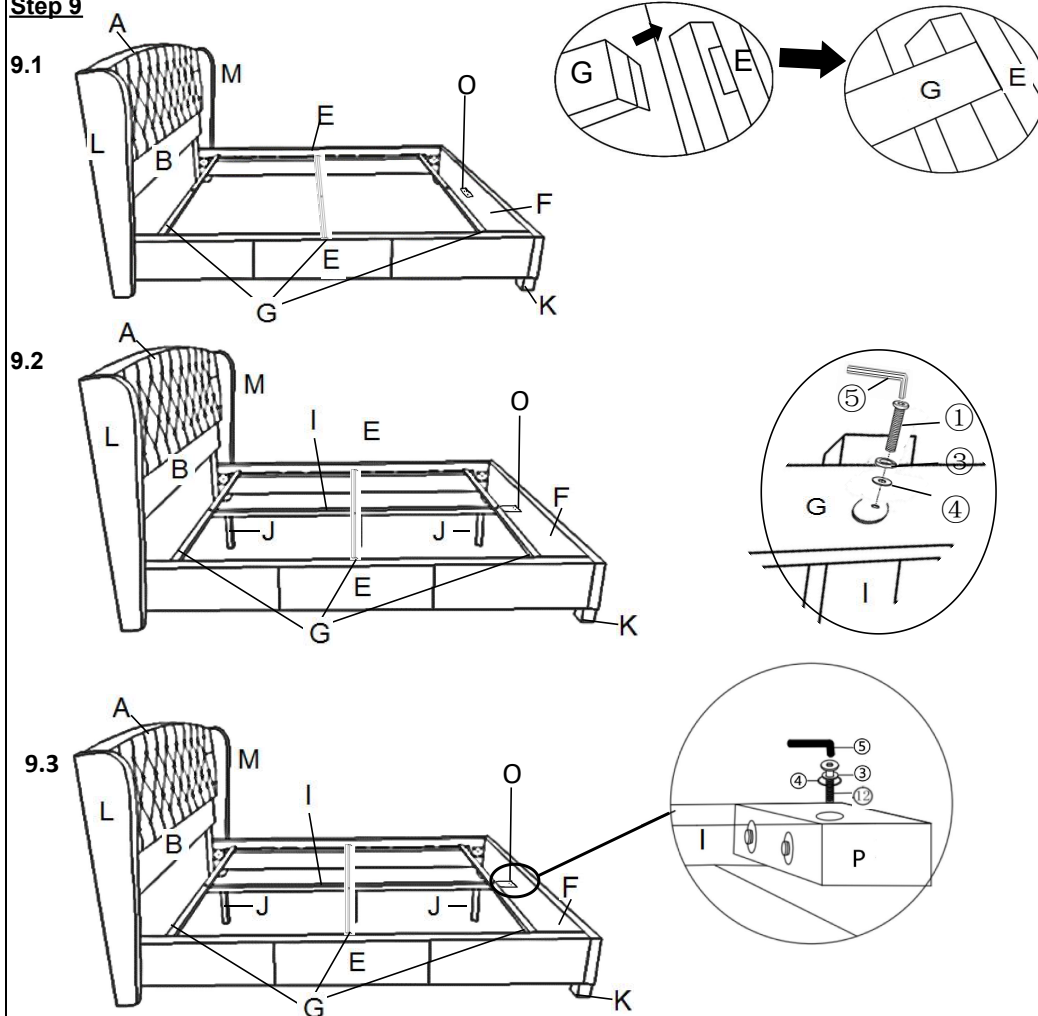
Attach Side Panel(E) to Left Wing(L) using Bolts(2), Spring Washers(3), and Washers(4) with Allen Key(5). Attach Side Panel(E) to Right Wing(M) using Bolts(2), Spring Washers(3), and Washers(4) with Allen Key(5).
Tighten the Bolts fully in a sequential manner.

Step 8



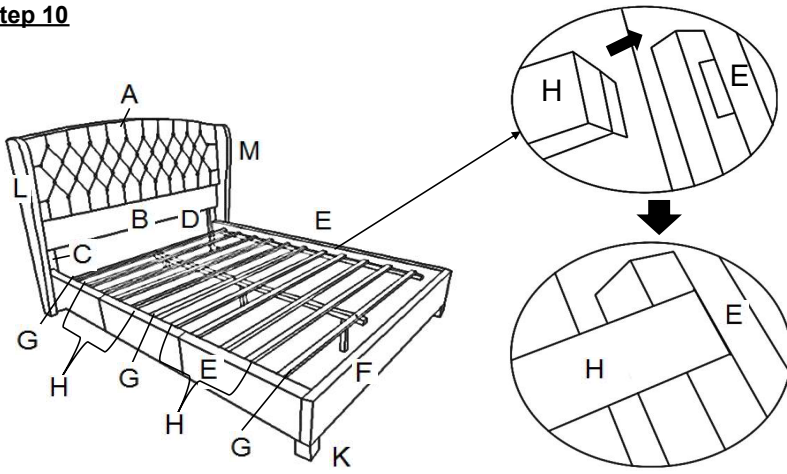
- 8.1)** Place the Vertical Slat(I) with "Face up" label down.
- 8.2)** Attach Support Foot for Vertical Slat(J) to the bottom of Vertical Slat(I) by inserting the threaded stem in the Foot and turning clockwise until secure. Then attach the Wood Block(O) onto the Support Foot for Vertical Slat(J) using Bolts(11) with Allen Wrench(5). Repeat the same installation process for the remaining the Vertical Slat(J), the Vertical Slat(I) and the wood block(O).
- 8.3)** Stand the Vertical Slat upright.

Step 9



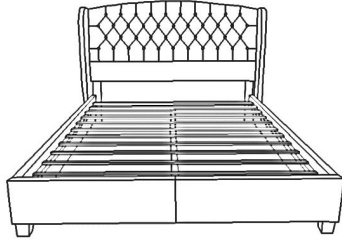
- 9.1)** Put the Cross Slats(G) into the grooves of the Side Panel(E).
- 9.2)** Attach Vertical Slat(I) to the bottom of Cross Slats(G) using Bolts(1) and Washers(4) with Allen Key(5).
- 9.3)** Attach Vertical Slat(I) to the Wood block(O) using Bolts(12) and Spring Washer(3), Washers(4) with Allen Wrench(5).
- Tighten Bolts until fully secure in a sequential manner.**

Step 10



Put the Cross Slats(H) into the grooves of the Side Rails(E).

Step 11



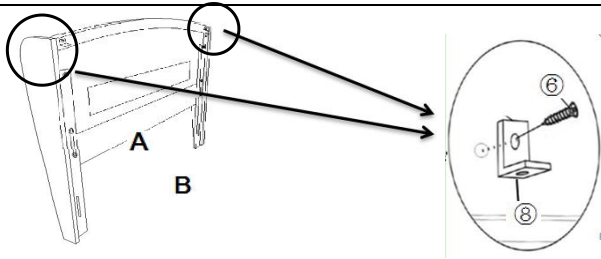
Ensure that all Bolts are secured at all joints.
Your Bed is ready for use.
This Bed can only be used on a flat, level surface.



WARNING

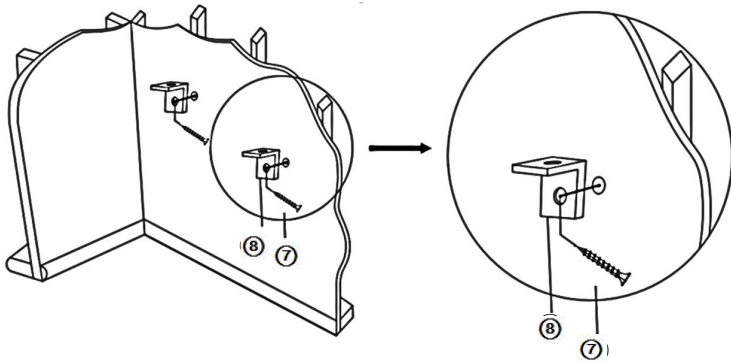
Serious or fatal crushing injuries can occur from tipping furniture. To help prevent tip-over: ALWAYS secure this furniture to the wall using a Safety Restraint Device. See product instructions for more ways to help prevent furniture tip-over.

Headboard Restraint Device Installation Instruction

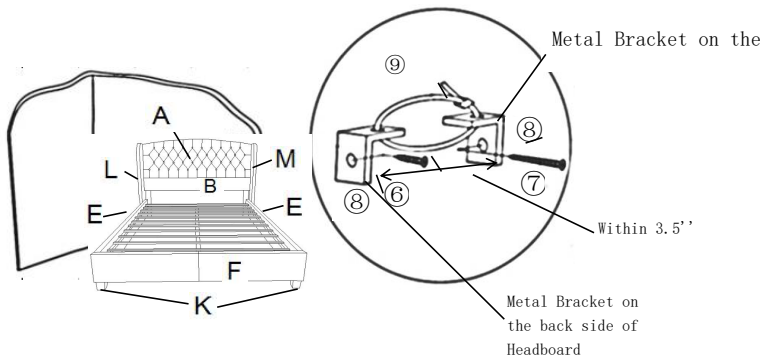


Locate the two marks on Headboard(A). Then, Attach the Metal Brackets(8) to the back of Headboard(A) using Screws(6) with Screwdriver(10) as shown above.

Tighten Screws until firm and secure.



Put the Headboard against the wall where desired and mark the location for the Metal Brackets(8) to be the same height as the top of the Headboard. Attach Metal Bracket(8) to the wall where you marked using Screws(7) with Screwdriver(10). Repeat this process with the other Metal Bracket(8). **Note: The Metal Brackets need to be secured to solid, load bearing surface. Please use a Stud Finder(not supplied) if needed to locate the Wall Frame.**



Move the Headboard back against wall. Pull the Restraint Straps(9) through the Metal Brackets(8) on the wall and Headboard(A) one by one, and pull the Restraint Straps(9) tight. **The strap between Headboard and Metal Brackets on wall should be within 3.5".**